

The P-40B Tiger Shark, made famous by Gen. Claire Chennault's "Flying Tigers" in China, was a direct off-spring of the P-36 (Hawk 75-A) built by the Curtiss-Wright Corp. Airplane Division.

The original XP-40 was a production Hawk 75A modified for the installation of the more powerful Allison V-12, 1,150 h.p. liquid cooled engine. This new fighter was flown for the first time in Oct., 1938.

The P-40 had a wing span of 37 ft. 3½ in., fuselage length of 31 ft. 8½ in., and a height of 10 ft. 7 in. Armament consisted of two .50 cal. machine guns in the nose and two .30 cal. machine guns in each wing.

Although lacking somewhat in maneuverability and rate of climb, the P-40's top speed of 352 m.p.h. coupled with its rugged construction, armor plating and fast diving speed, enabled it to hold its own against most of the fighter planes in existence at that time. In the hands of such capable pilots as Col. Robert L. Scott of the famed "Flying Tigers" and Lt. Neville Duke of R.A.F. No. 112 "Shark"

Squadron in No. Africa, the P-40 became a potent fighting machine. Wing-Commander Clive "Killer" Caldwell, R.A.F., while flying the P-40, scored more than twenty victories in the Middle East.

Names for the P-40 ranged from the Curtiss "Hawk", in the United States, "Tomahawk" in Great Britain to the "Tiger Shark" of the "Flying Tigers" in China. This Group was formed into three squadrons, the 1st (Adam and Eve), the 2nd (Panda Bears) and the 3rd (Hell's Angels). They fought their first action on Dec. 20, 1941 and in the following six and one-half months compiled a record of 299 victories with a loss of only 50 planes, eight pilots killed and four missing.

During the war years the P-40 fought on many battle fronts and bore the insignia of various countries. Among these were the United States, Britain, Australia, China, South Africa, Turkey and Russia. The P-40 and P-40B's were the first of a long line of P-40's whose performance improved with each modification.

READ THIS BEFORE YOU BEGIN

- Study the assembly drawings.
- Each plastic part is identified by a number.
- Check the fit of each piece before cementing in place.
- Do not use too much cement to join parts.
- Use only cement for polystyrene plastic.
- Model may be painted to match photos on box.
- Allow paint to dry thoroughly before handling parts.
- Scrape paint from areas to be cemented.
- For better paint and decal adhesion, wash the plastic parts in a mild detergent solution. Rinse and let air dry.

- No use demasiado pegamento para unir las piezas.
- Use unicamente pegamento para plastico de poliestirena.
- El modelo puede pintarse de acuerdo con las fotografias de la caja.
- Permita que se seque la pintura completamente antes de tocar las piezas.
- Raspe la pintura de las superficies que seran pegadas.
- Para una mejor fijacion de la pintura y de las calcomanias, lavense las piezas plasticas en una solucion de detergente suave. Enjuaguense y dejense secar al aire.

- Le modele peut etre peint conformement aux photos sur la boite.
- Laissez secher la peinture completement, avant de manipuler les pieces.
- Grattez la peinture sur les surfaces devant etre collees.
- Pour assurer la meilleure adhesion possible de la peinture et des decalcomanies, lavez les pieces de plastique avec une legere solution savonneuse. Rinser et laissez secher a l'air.

ALLGEMEINE HINWEISE

- Die Anordnung der Bauteile ist aus den Zeichnungen der Anleitung ersichtlich.
- Jedes Plastikteil ist durch eine Nummer gekennzeichnet.
- Die Teile vor dem Verkleben ungeleimt zusammenhalten, um ihren Passsitz zu prufen.
- Klebstoff nicht zu dick auftragen.
- Nur Modellbaukleber für Polystyrol verwenden.
- Man kann das Modell nach den Fotos auf der Schachtel anstreichen.
- Bemalte Teile vor der Weiterverwendung gut trocknen lassen.
- Die Farbe muss von allen späteren Klebestellen abgeschabt werden.
- Damit die Farbe und die Abziehbilder besser kleben, sind die Plastikteile in einer milden Seifenlauge zu waschen. Dann abspülen und an der Luft trocknen lassen.

LEES DIT ALVORENS TE BEGINNEN

- Bestudeer de bouwtekening.
- Elk plastic onderdeel is genummerd.
- Controleer de passing van elk deel voor het lijmen.
- Gebruik niet te veel lijm.
- Alleen lijm voor polystyreen plastic gebruiken.
- Men kan model verven zoals aangeduid op de doos.
- Laat de verf van de te verwerken delen steeds goed drogen.
- Verwijder de verf van te lijmen oppervlakken.
- Zodat de verf en etiketten beter zullen plakken, was de plasticke delen in een milde seep oplossing. Spoel en laat in de openlucht opdrogen.

LAS DET HAR INNAN DU BORJAR BYGGA

- Studera monteringskisserna.
- Alla plastdelar har identifikationsnummer.
- Kolla noga att delarna passar före limningen.
- Stryk inte för mycket lim på delarna.
- Använd endast lim för polystyren-plast.
- Modellerna kan målas enligt fotona på kantongen.
- Låt färgen torka ordentligt före limningen.
- Skrapa bort färgen på de ytor som ska limmas.
- För bättre vidhäftning av färg och dekalmarken rengör plastdelarna i en mild tvättmedelslösning. Skölj och låt lufttorka.

DA LEGGERE PRIMA DI INIZIARE

- Studia le illustrazioni.
- Ogni pezzo è identificato da un numero.
- Controlla l'incastro di ogni pezzo prima di incollarlo.
- Non usare troppa colla per unire i pezzi.
- Adopera solamente colla per materie plastiche.
- Il modello si può dipingere seguendo le fotografie sulla scatola.
- Aspetta che la vernice sia completamente asciutta prima di maneggiare le parti.
- Asporta la vernice dai punti dove applicherai la colla.
- Per una migliore aderenza di vernice e decalcomanie, lavare le parti in plastica in soluzione detergente non abrasiva. Risciacquare e lasciar asciugare all'aria.

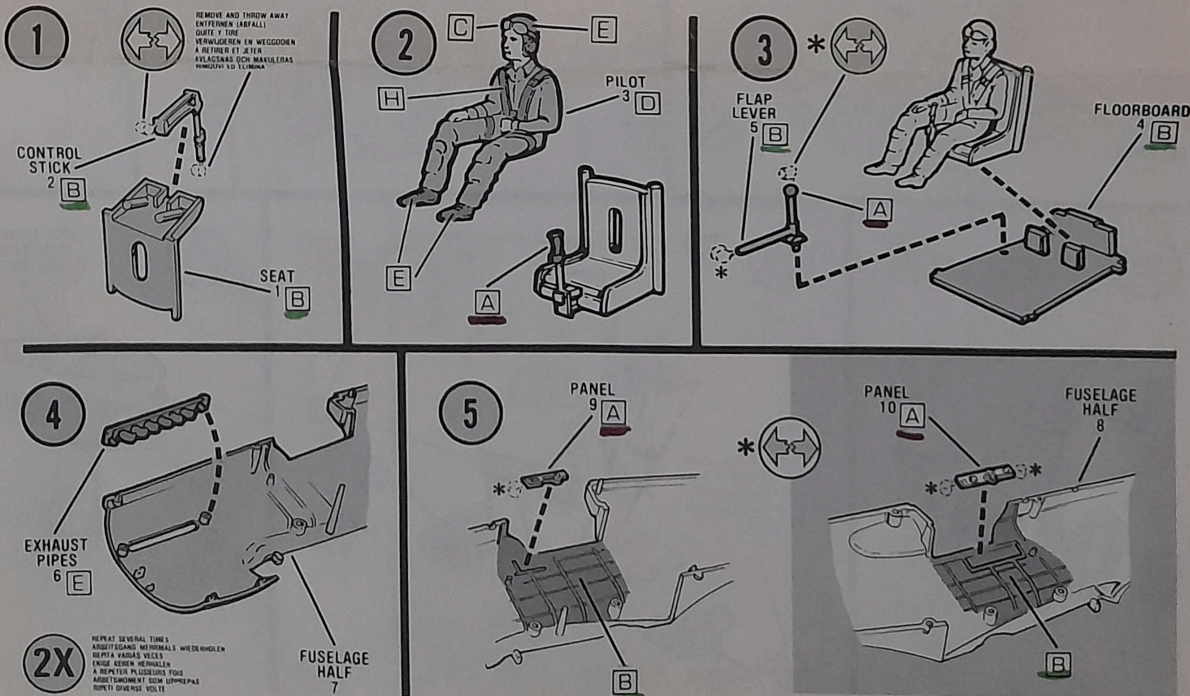
LEA ESTO ANTES DE EMPEZAR

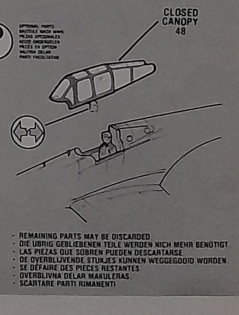
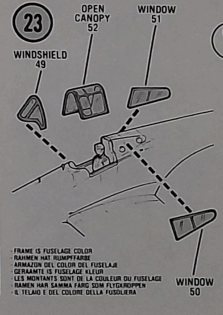
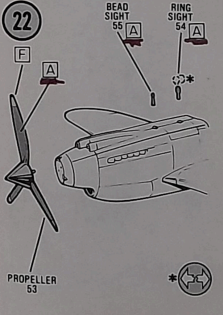
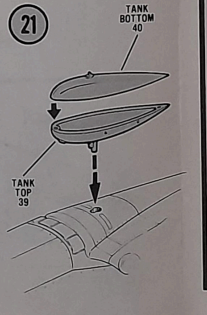
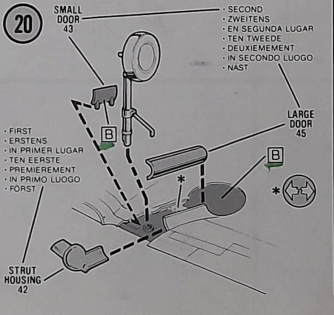
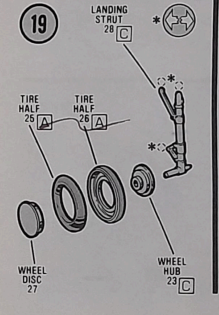
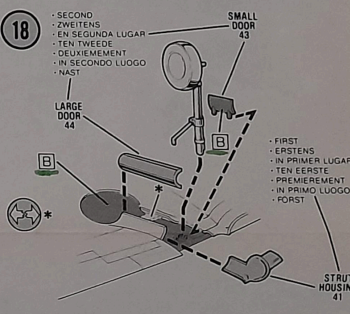
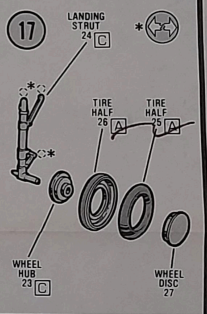
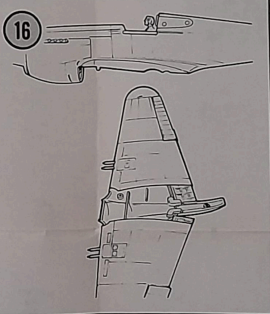
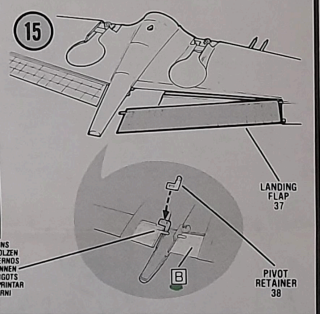
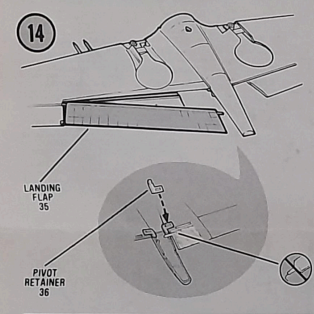
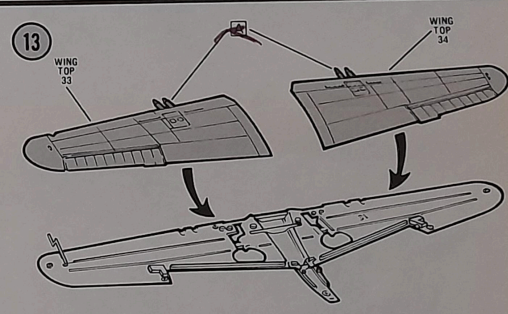
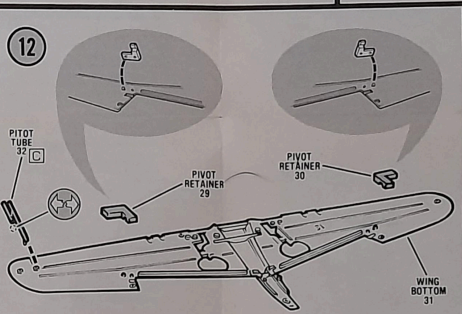
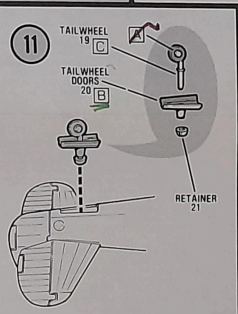
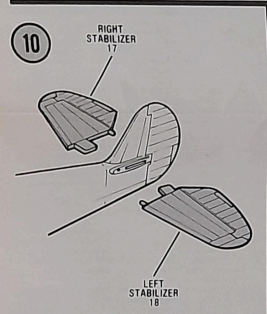
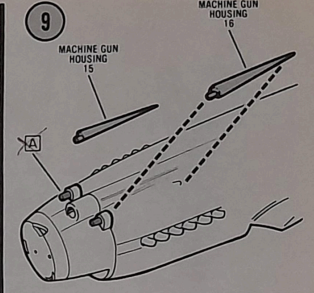
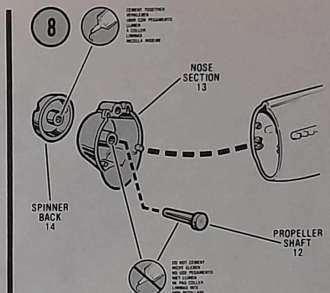
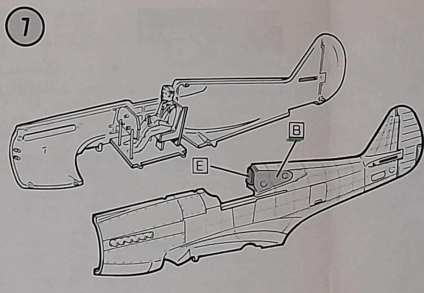
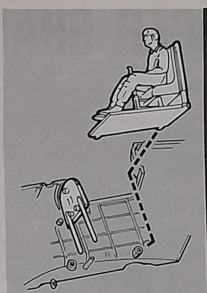
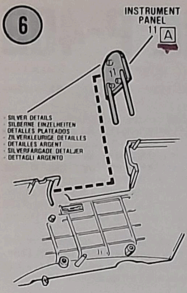
- Estudia los dibujos de ensamble.
- Cada pieza de plastico se identifica por un numero.
- Verifique que cada pieza encaje bien antes de pegar en posicion.

LISEZ CE QUI SUIV AVANT DE COMMENCER LE MONTAGE

- Etudiez les schemas d'assemblage.
- Chaque piece plastique porte un numero d'identification.
- Contrôlez que chaque piece soit bien conforme avant de la coller a sa place.
- N'utilisez pas trop de colle pour reunir les pieces.
- Utilisez uniquement une colle speciale pour polystyrene.

A	FLAT BLACK	GLANZLOSES SCHWARZ	NEGRO APAGADO	GLANZLOOS ZWART	NOIR TERNE	MATTSVART	NERO OPACO
B	INTERIOR GREEN (ZINC CHROMATE)	INNENSEITE GRÜN	INTERIOR VERD	GRÖEN INTERIEUR	INTERIEUR VERT	GRÖN INTERIOR	INTERNO VERDE
C	ALUMINUM	ALUMINIUMFARBEN	ALUMINIO	ALUMINIUMKLEURIG	ALUMINIUM	ALUMINIUMFARGAD	ALLUMINIO
D	TAN	GELBBRAUN	CANELA	OKER	BRUN CLAIR	GULBRUN	MARRONE CHIARO
E	LIGHT BROWN	HELLBRAUN	MARRON CLARO	LICHT BRUIN	BRON CLAIR	LJUSBRUN	MARRONE CHIARO
F	YELLOW	GELB	AMARILLO	GEEL	JNF	GUL	GIALLO
G	RED	ROT	ROJO	ROOD	JIC	RÖD	ROSSO
H	OLIVE DRAB	OLIVGRÜN	ACEITUNADO	OLIJFGRÖEN	OLIV	OLIVBRUN	VERDE OLIVA SCURO
J	GRAY	GRAU	GRIS	GRIJS	GRIS	GRÄ	GRIGIO
K	LIGHT BLUE	HELLBLAU	AZUL CLARO	LICHTBLAUW	BLEU CLAIR	LJUSBLÄ	AZZURRO CHIARO





REMAINING PARTS MAY BE DISCARDED
 DIE ÜBRIG GEBLIEBENEN TEILE WERDEN NICHT MEHR BENÖTIGT
 LAS PIÉZAS QUE SOBREVIVIEREN DESECHARSE
 DE OVERBLIJVENDE STUKJES KUNNEN WEGGEGOED WORDEN
 DE OVERBlijvende pieces niet meer
 LES PARTIES QUI RESTENT NE SONT PLUS NÉCESSAIRES
 IL FAUT JETER LES PARTIES RESTANTES

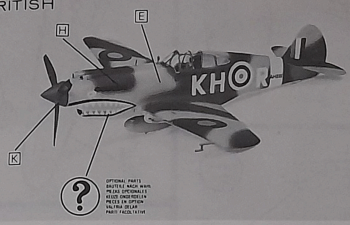
U.S. ARMY

OPTIONAL: PAINT
AND/OR MARK
THE MODEL WITH
ANY OF THE FOLLOWING
COLORS: LIGHT GRAY, DARK GRAY,
OR BLACK. (SEE INSTRUCTIONS FOR
MORE INFORMATION.)



BRITISH

OPTIONAL: PAINT
AND/OR MARK
THE MODEL WITH
ANY OF THE FOLLOWING
COLORS: LIGHT GRAY, DARK GRAY,
OR BLACK. (SEE INSTRUCTIONS FOR
MORE INFORMATION.)



FLYING TIGER

