

AR48005

DH.89 Dragon Rapide

Interwar Civil Service Pt.1

British Short-Haul Airliner

length - 220mm
wingspan - 305mm
height - 86mm
plastic injected parts - 164
PE parts - 66



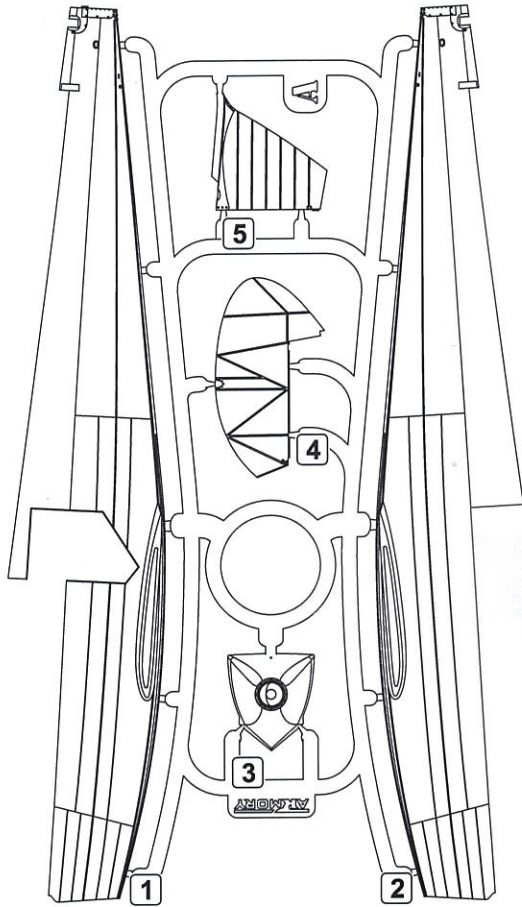
Armory Models Group



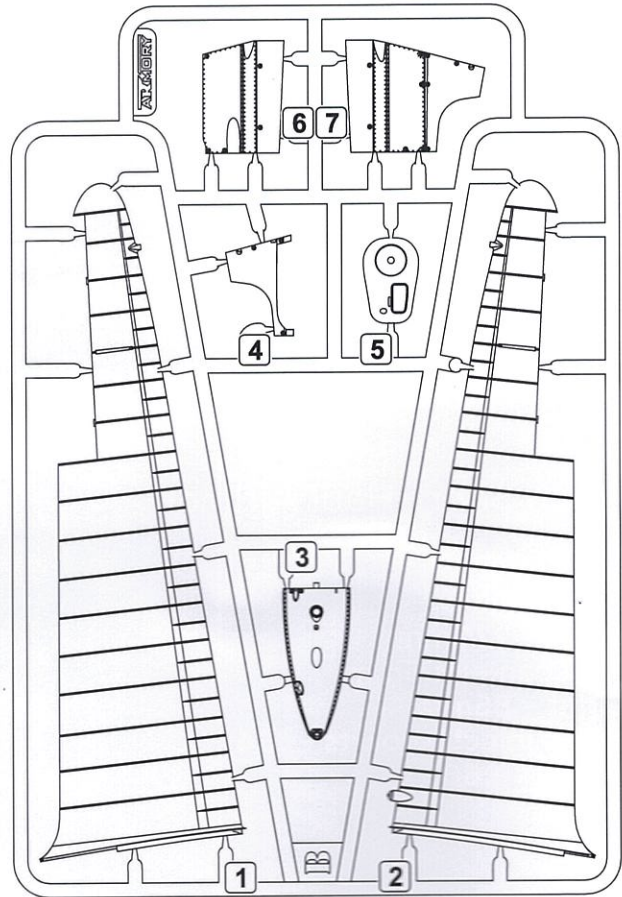
Plastic injected model kit
w/ PE parts

Scale
1/48

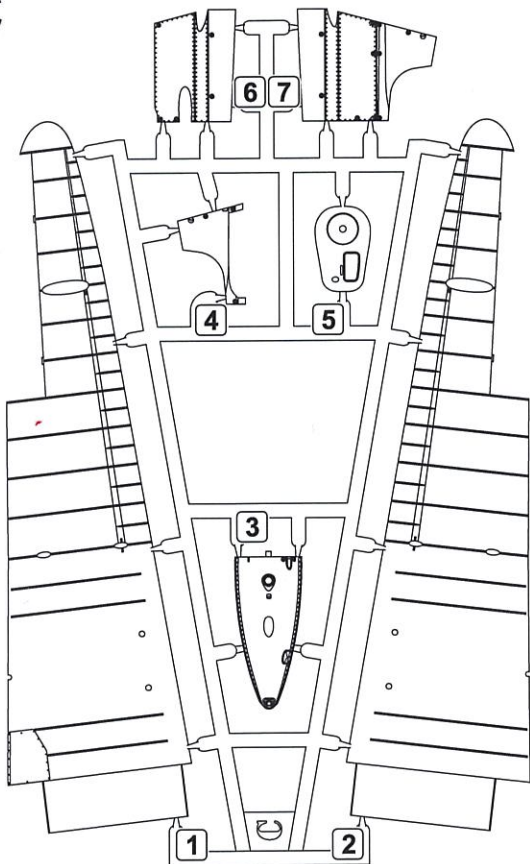
A



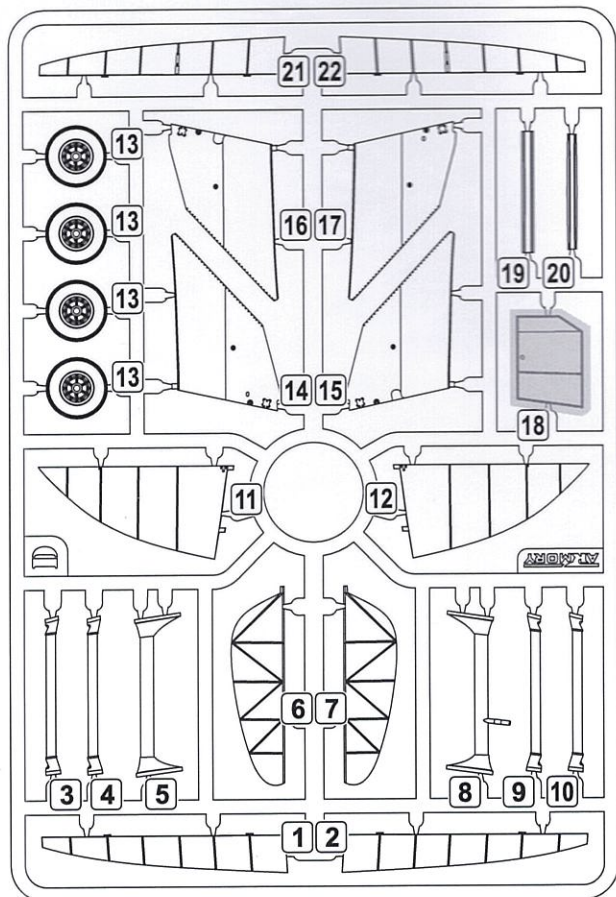
B

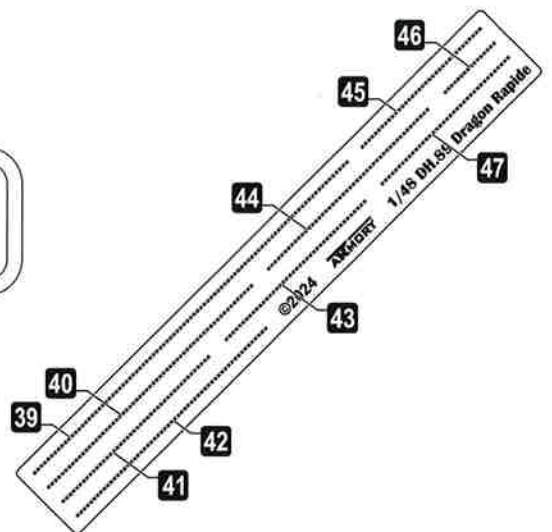
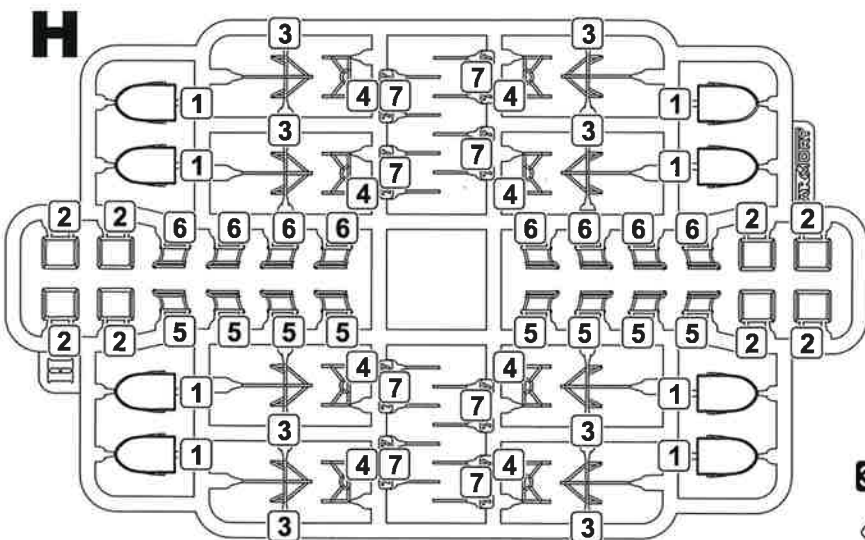
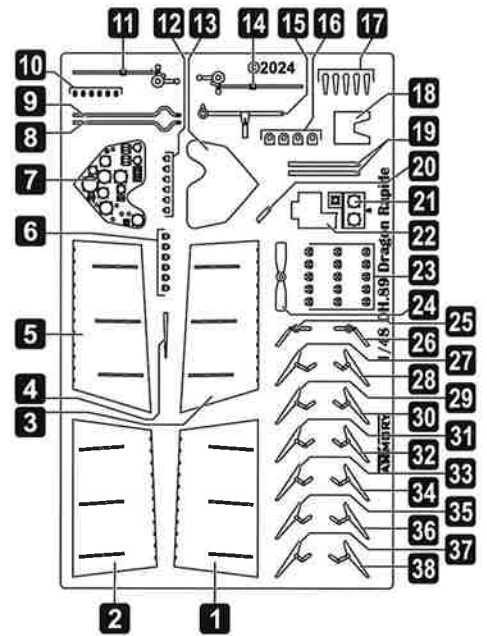
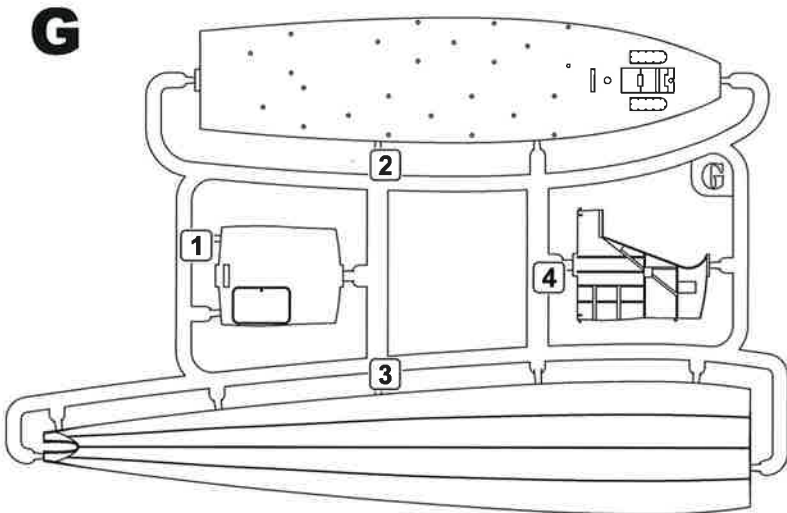
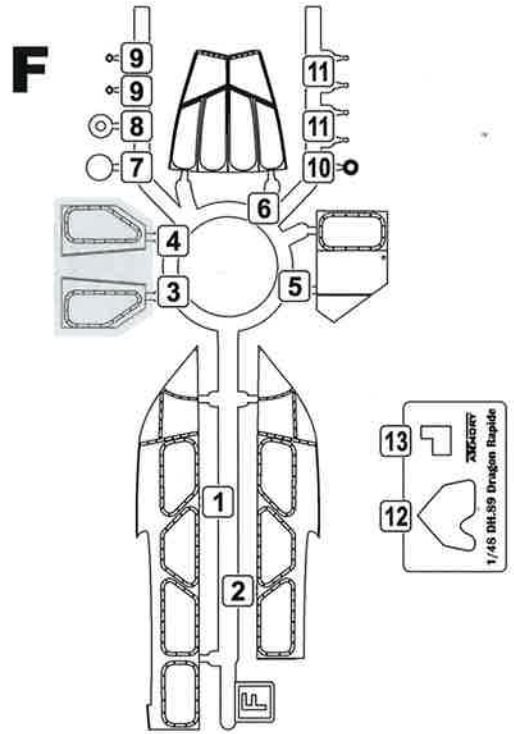
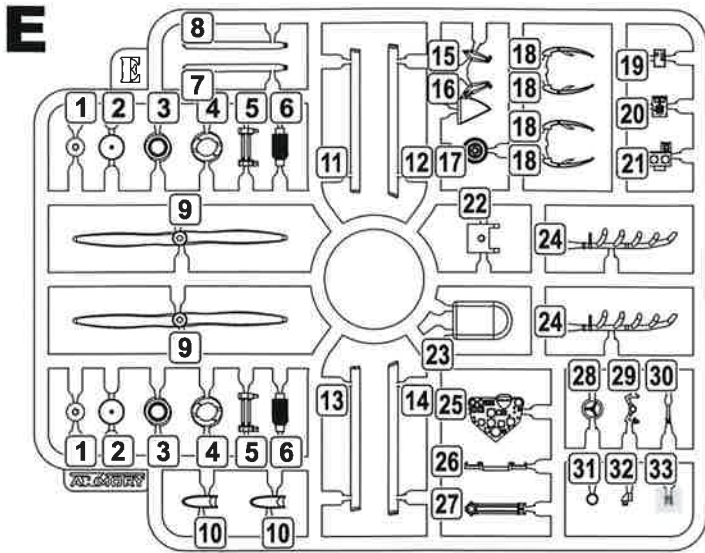


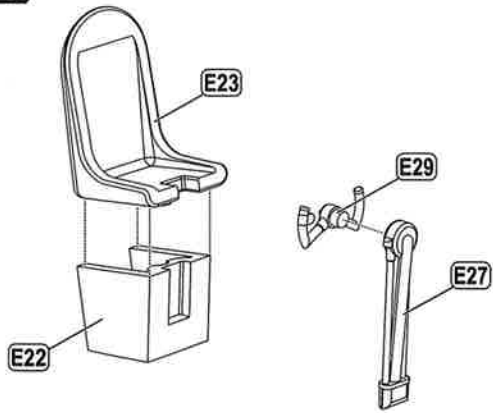
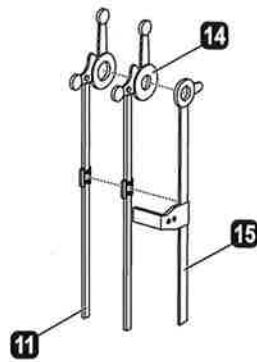
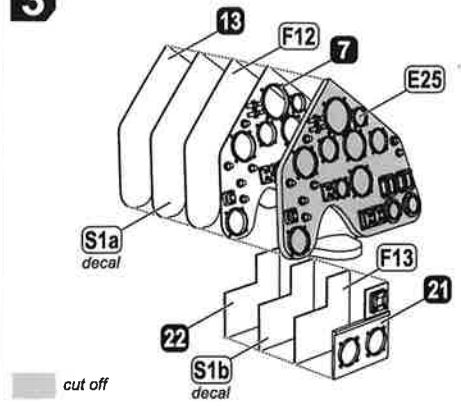
C



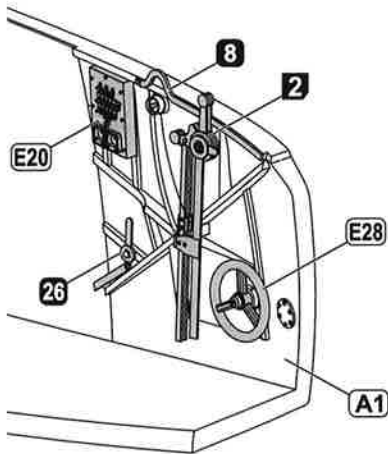
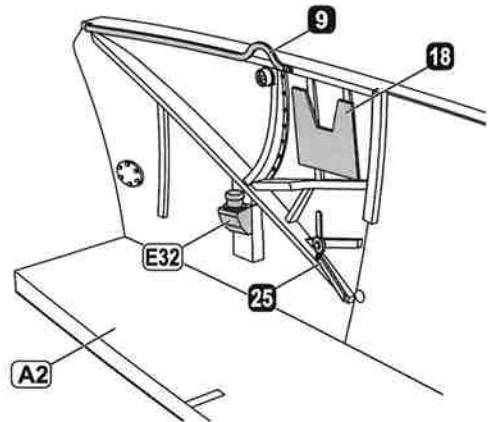
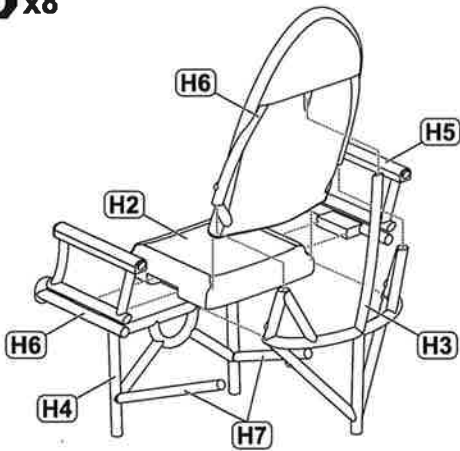
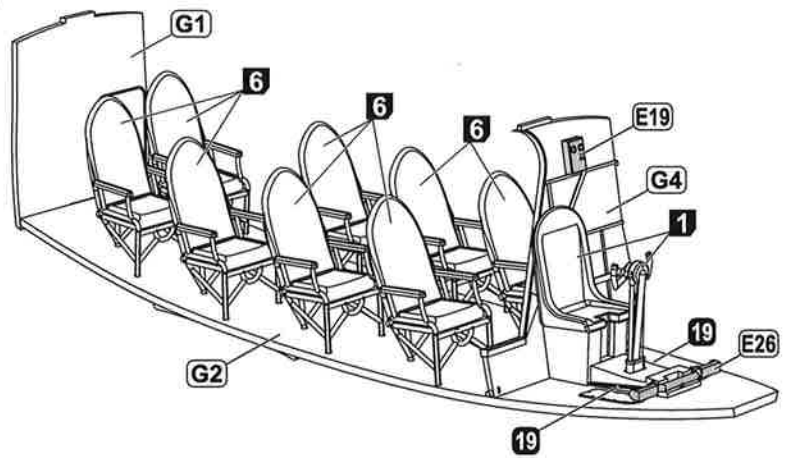
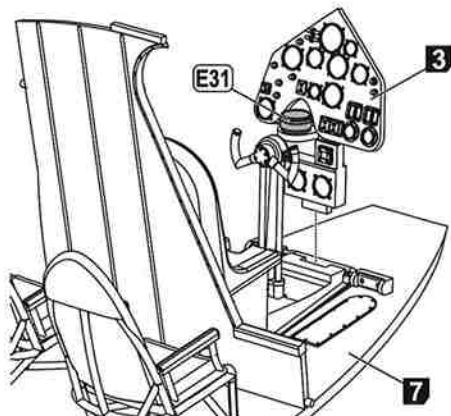
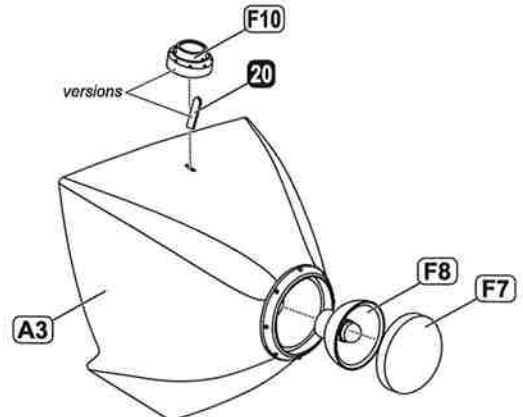
D

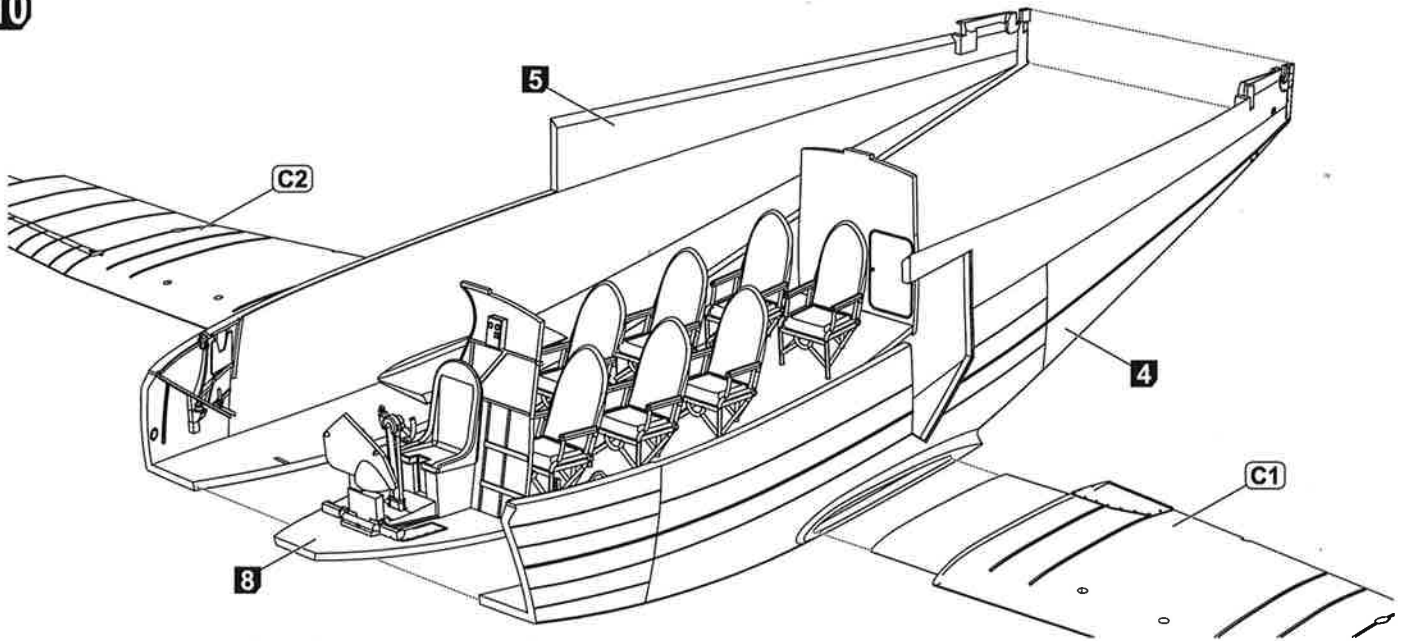




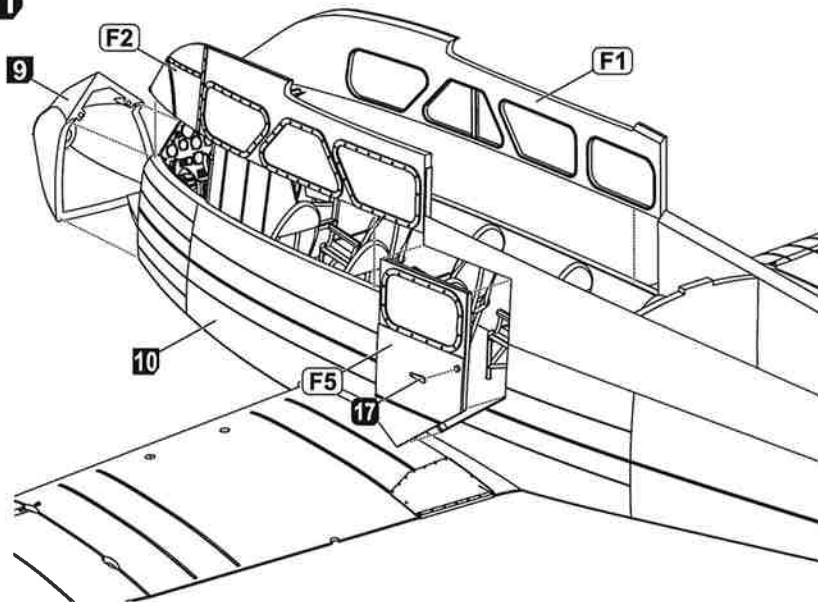
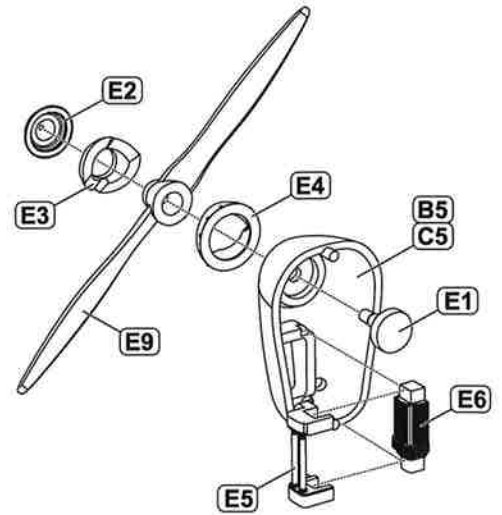
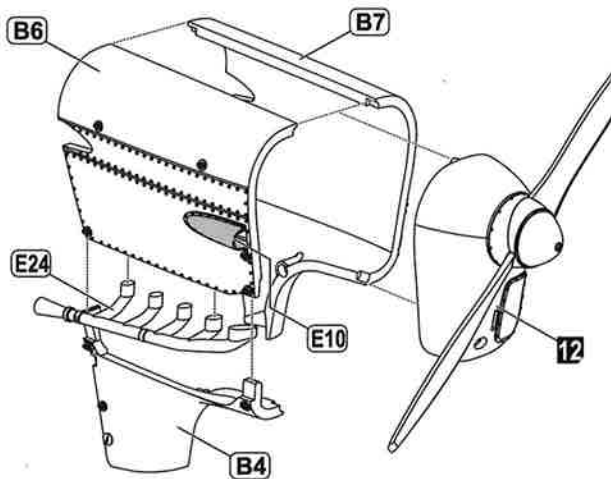
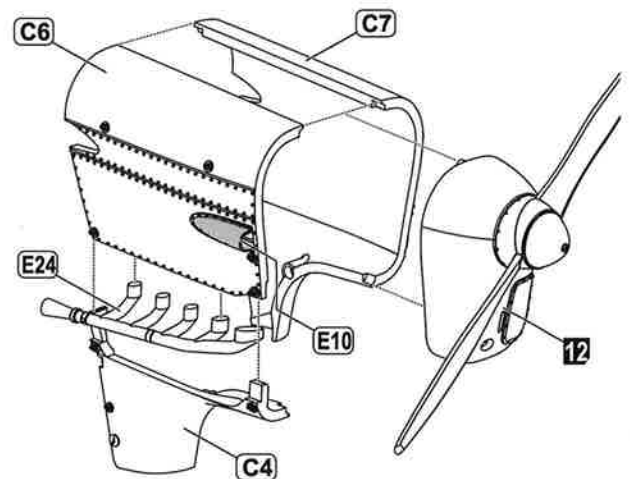
1**2****3**

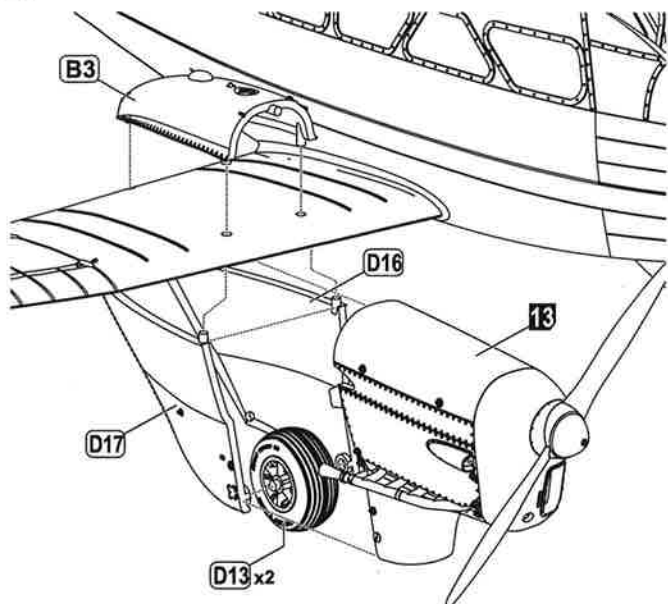
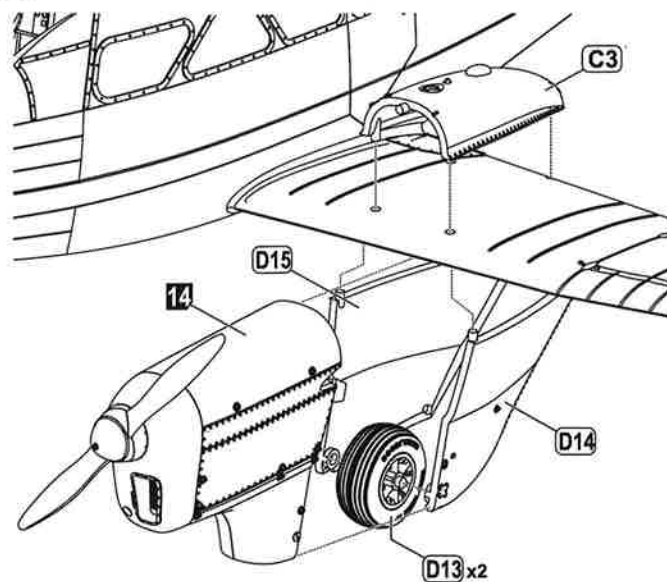
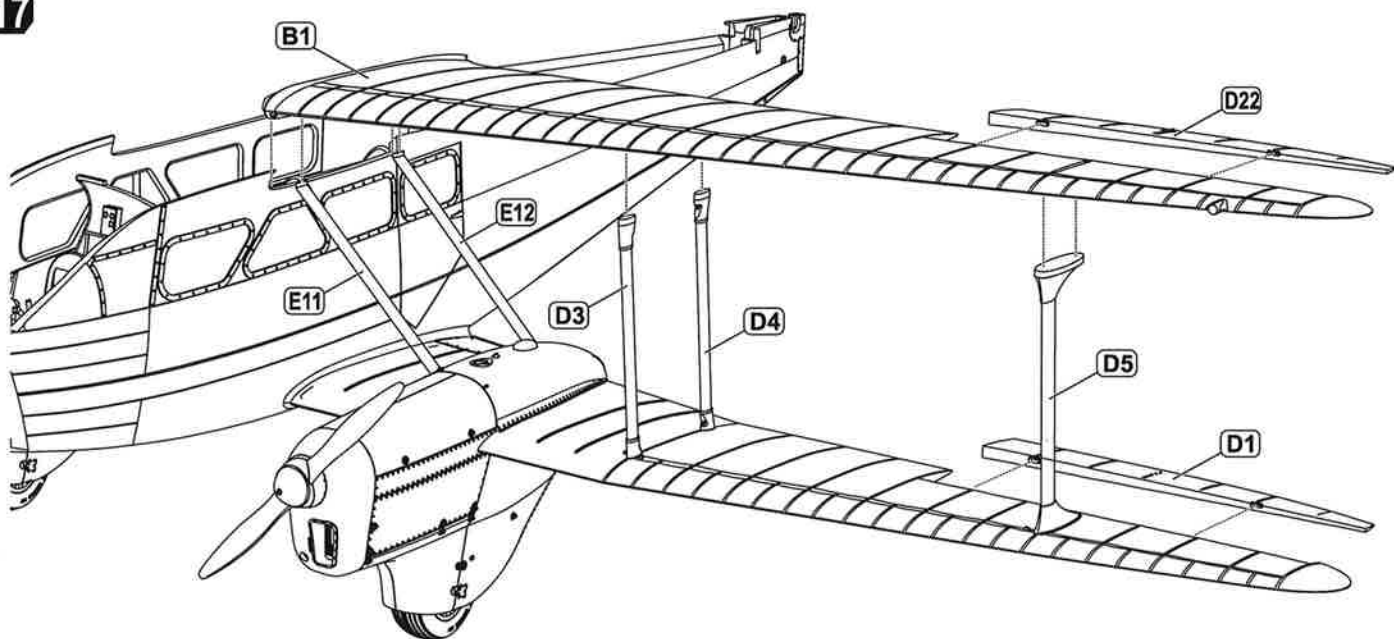
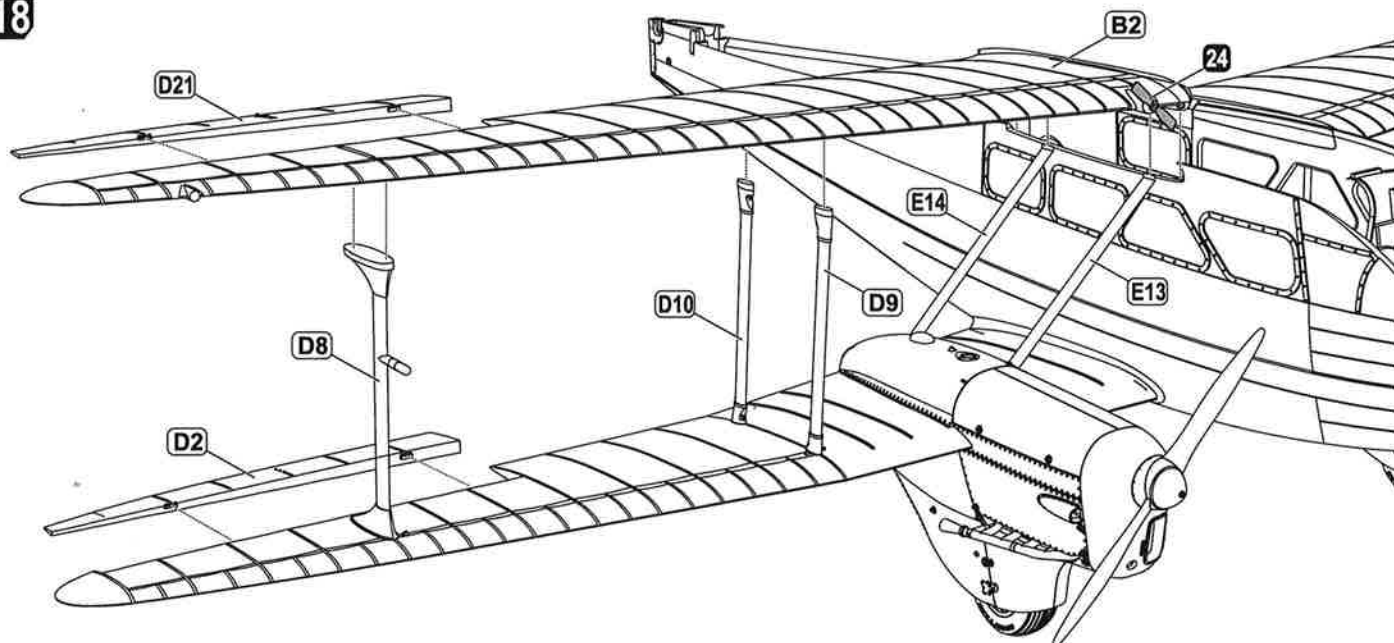
in case of choosing simplified dashboard version,
please use parts **E21** and **E25**

4**5****6** x8**7****8****9**

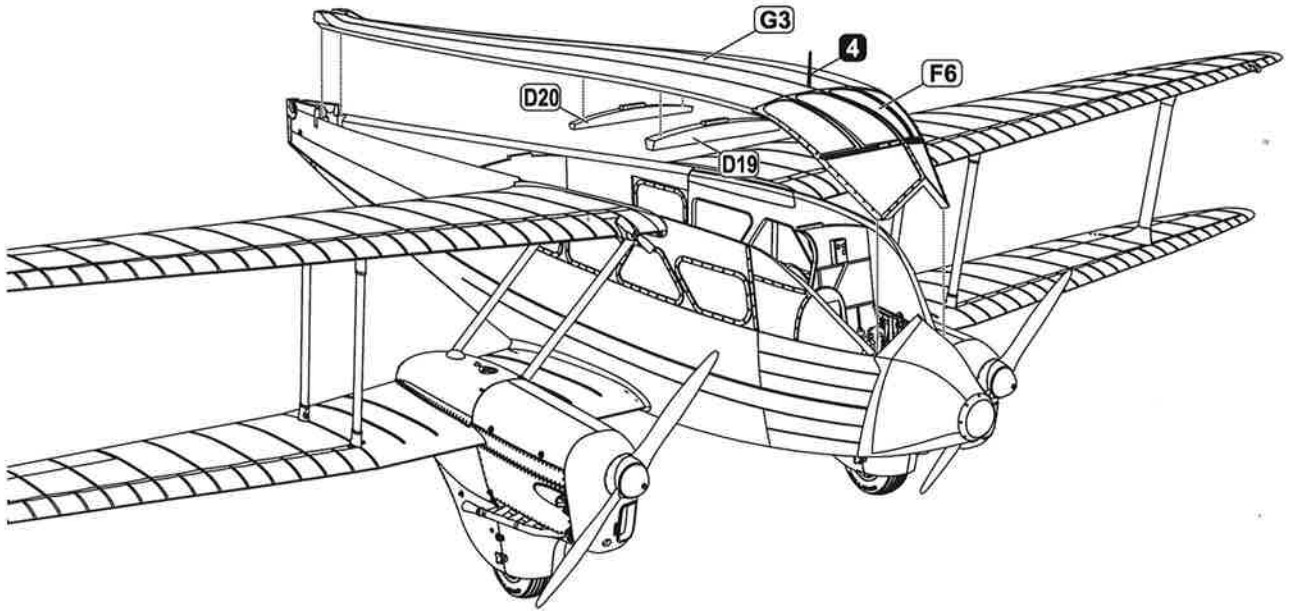
10

(!) lower wing parts should be attached to the fuselage **BEFORE** the interior floor is mounted

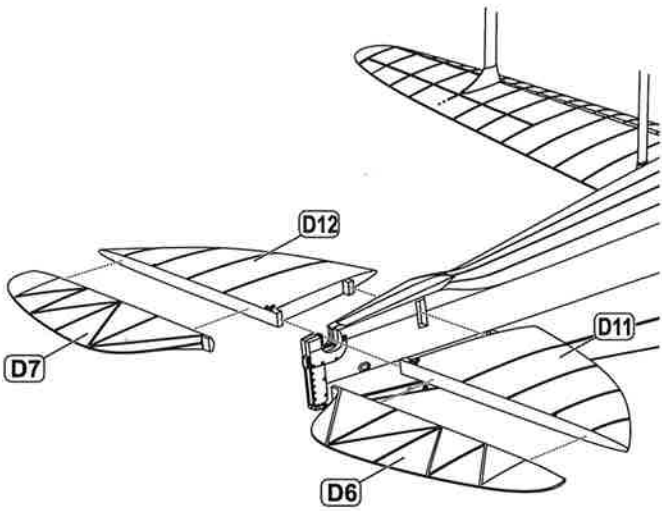
11**12** x2**13** right engine nacelle**14** left engine nacelle

15**16****17****18**

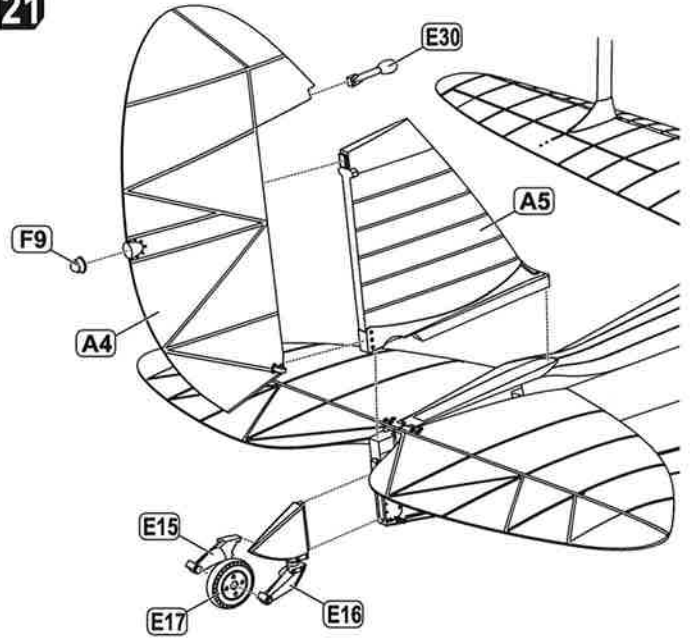
19



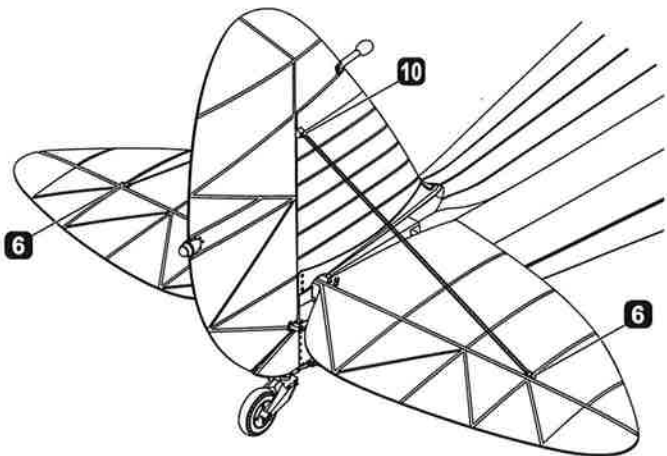
20



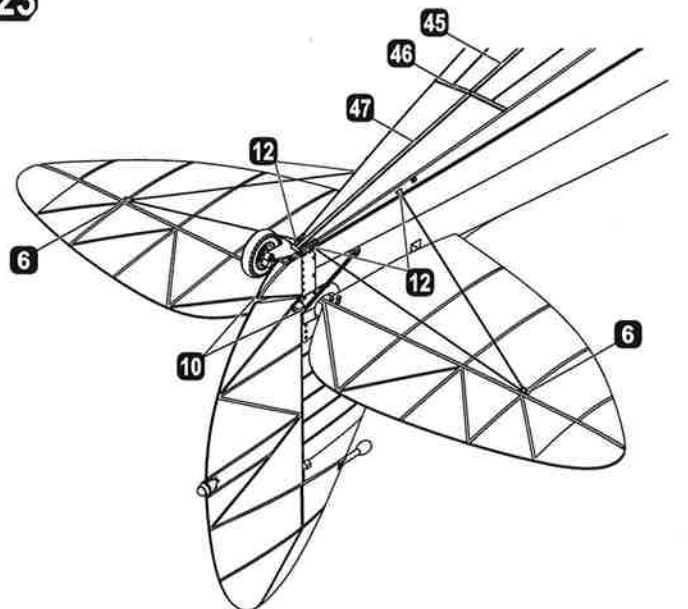
21



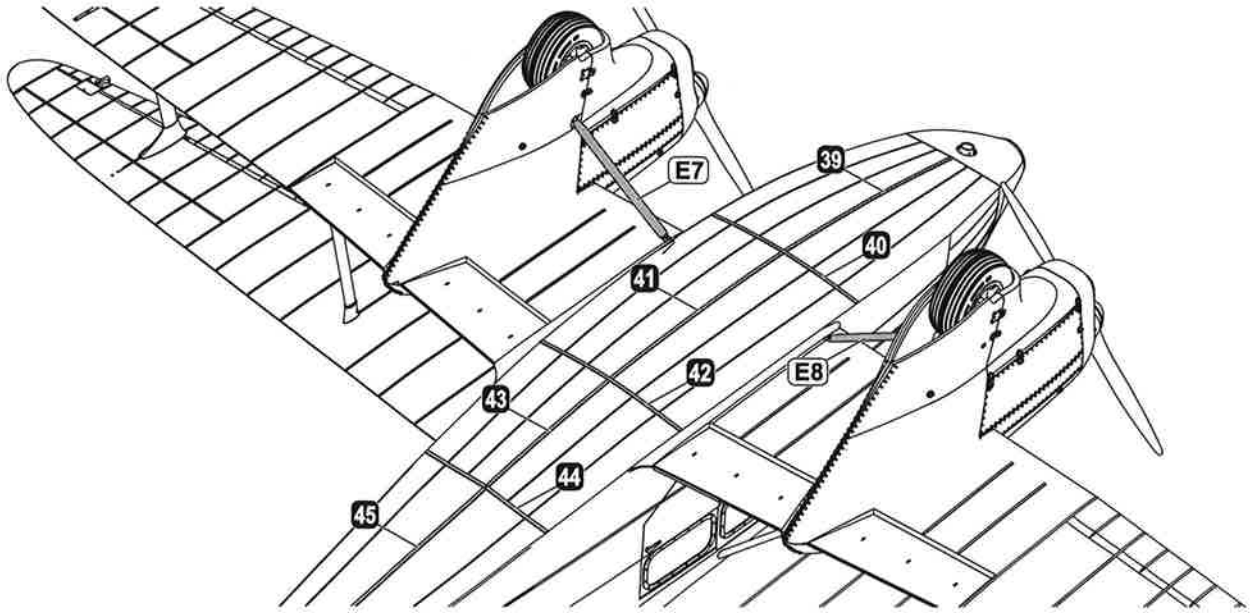
22



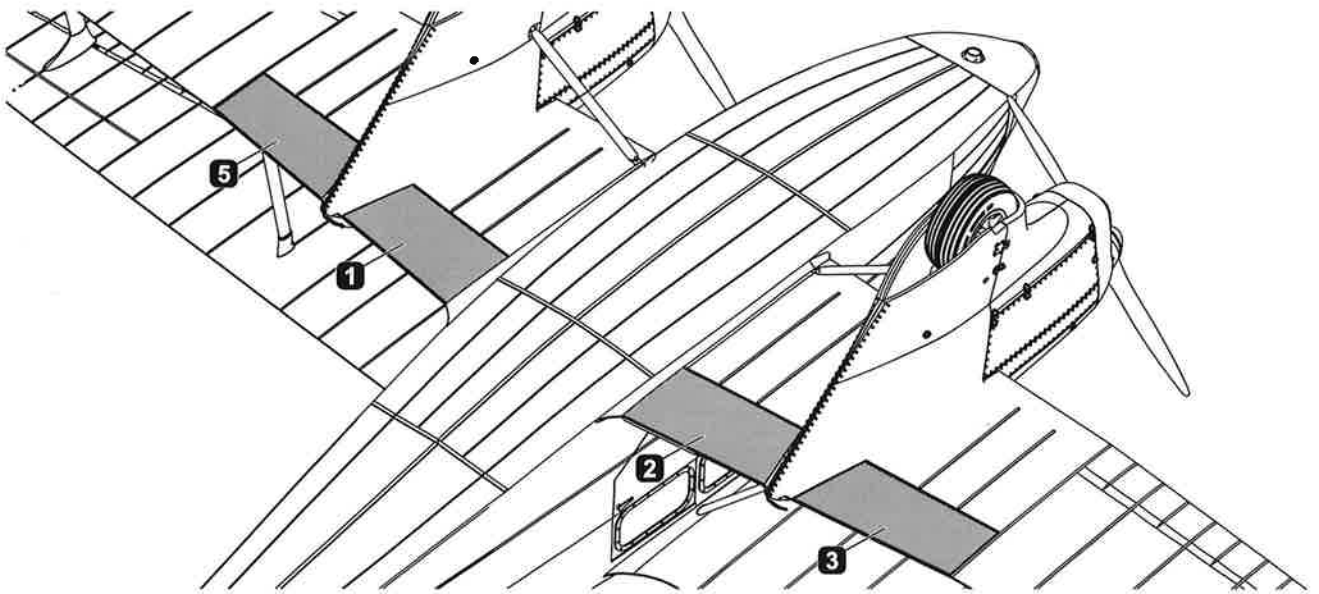
23



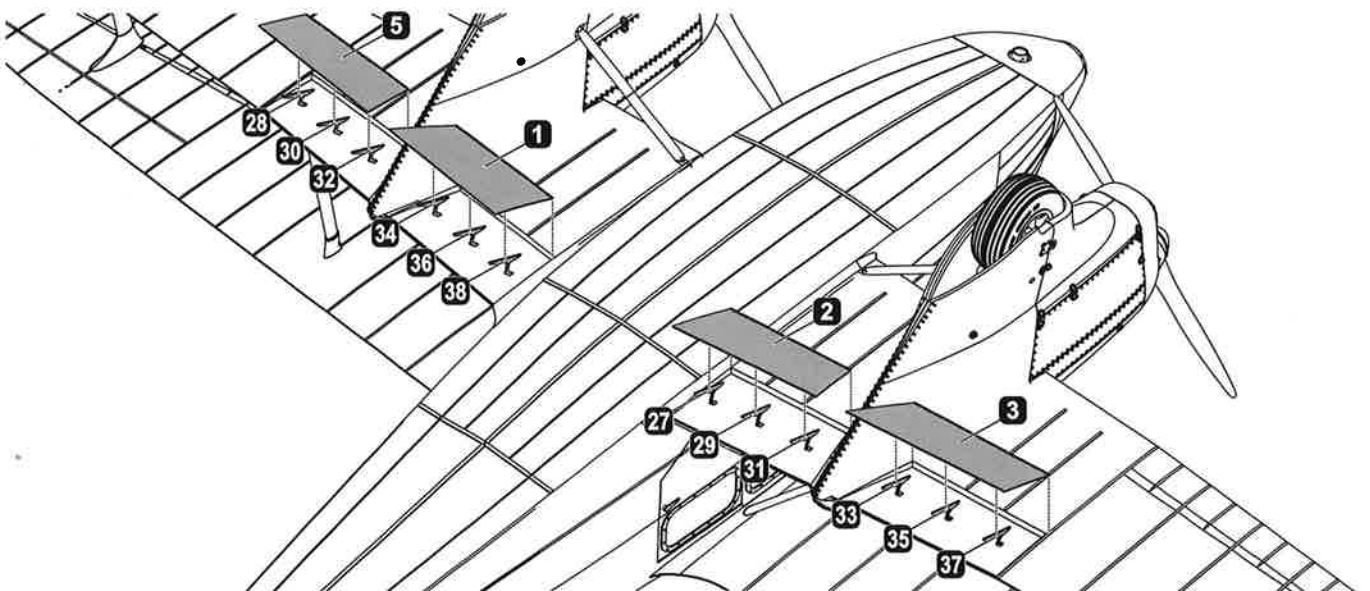
24



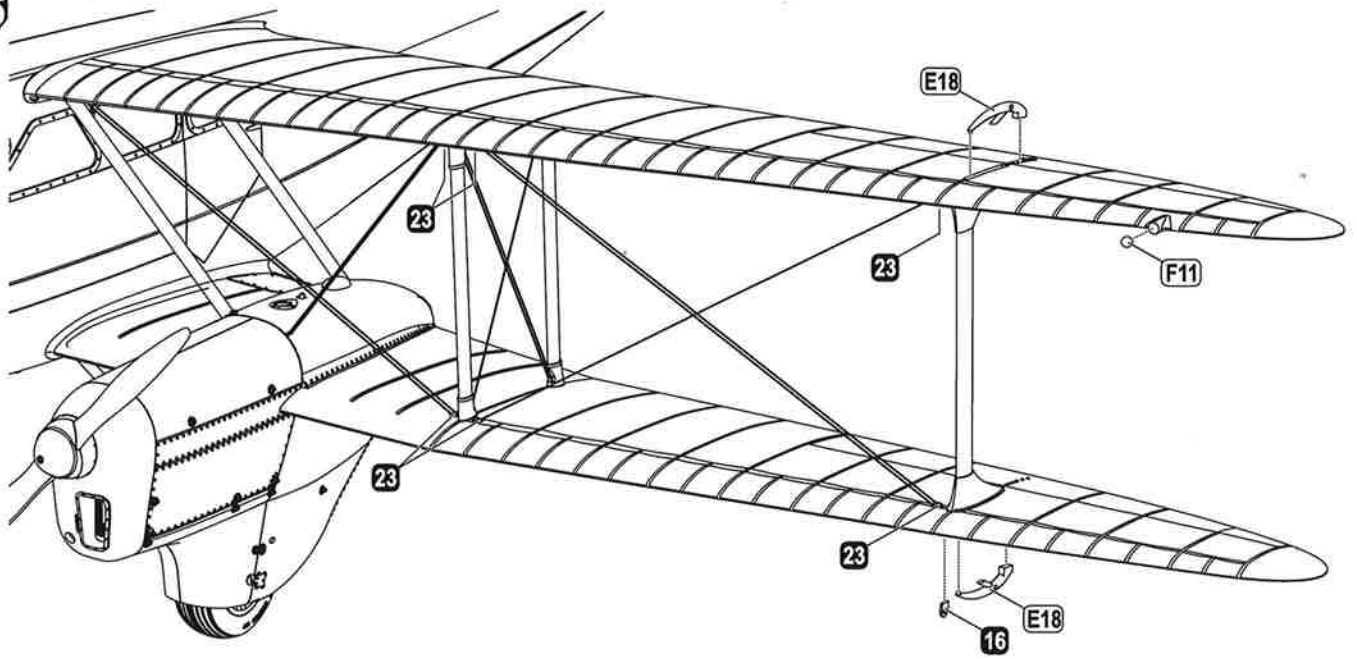
25



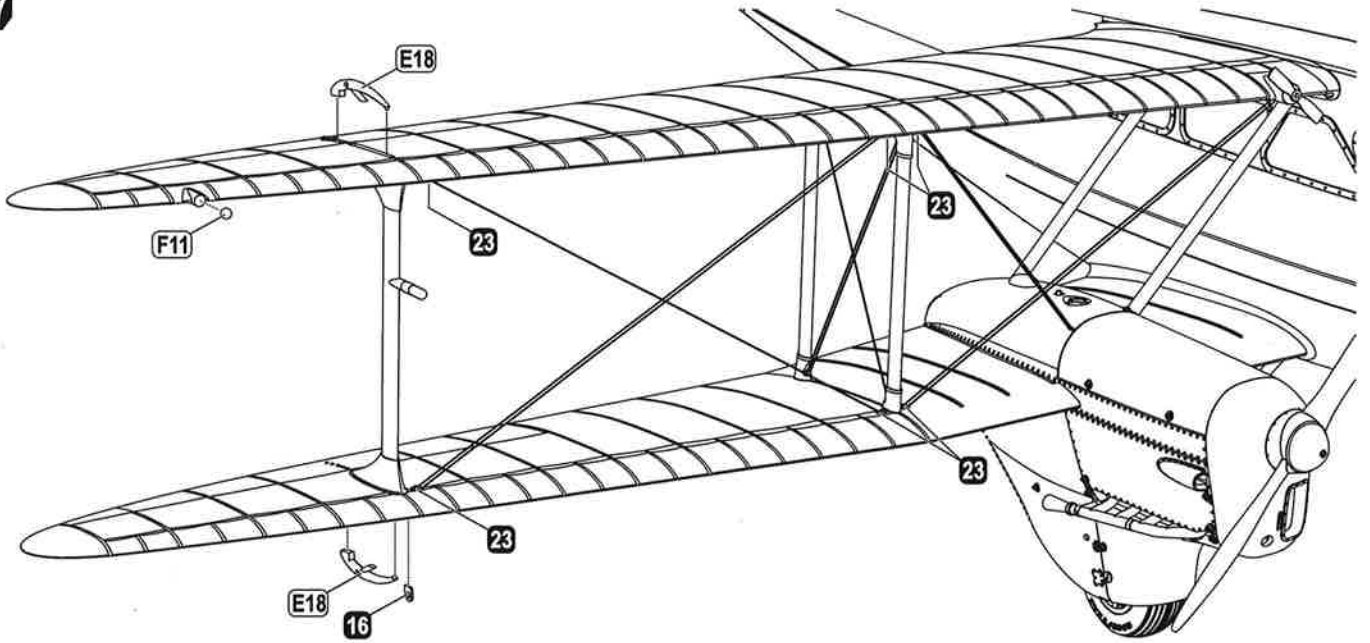
flaps up
flaps down



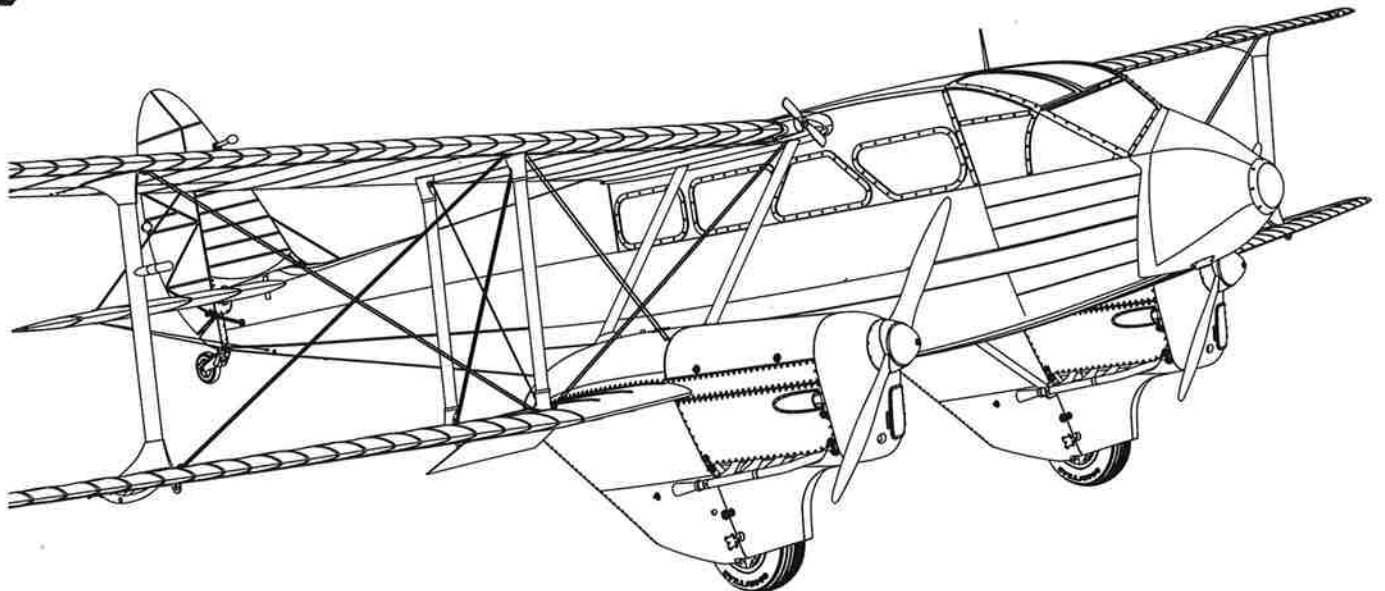
26



27



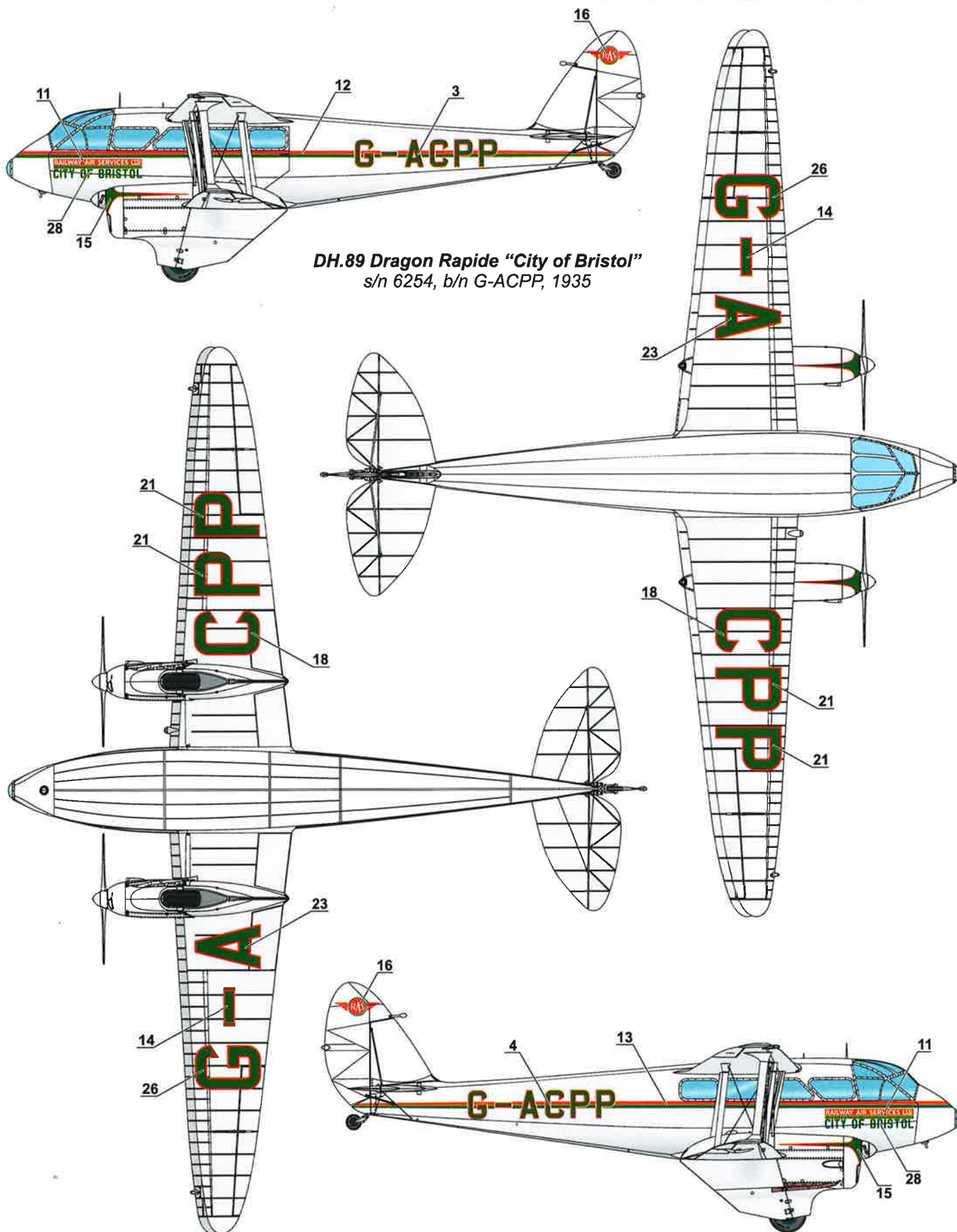
28



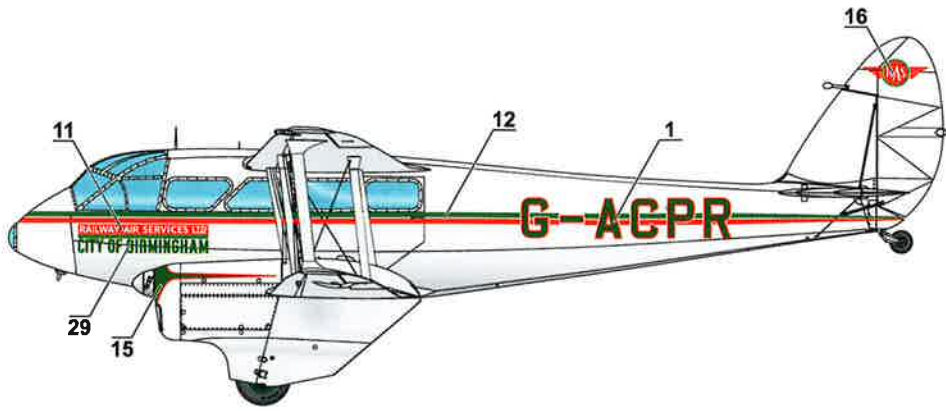
DH.89 Dragon Rapide Interwar Civil Service, Pt. 1

Railway Air Services Ltd.

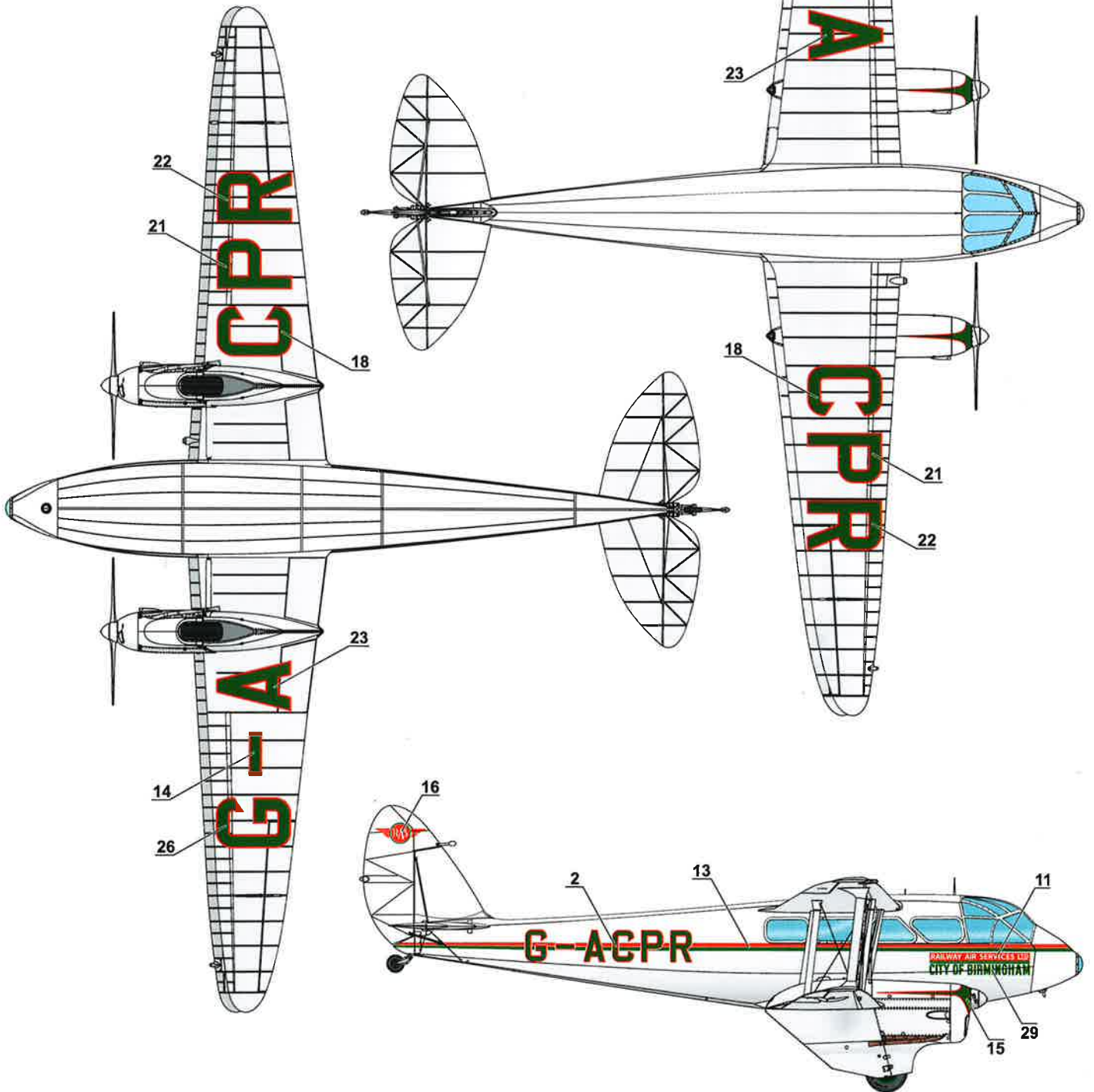
	Alum. / Silver	Medium Gray	Tyre Black	Burnt Iron
Humbrol	56	145	33	53
Hataka	078 / 139	046	100	—
AMMO Acrylic	0194	0210	0046	0187
AK Real Colors	020	237	001	—
Mr.Color / Mr.Hobby	—	C337 / H337	C33 / H12	C61 / H76
Tamiya	XF16	—	XF1	XF84

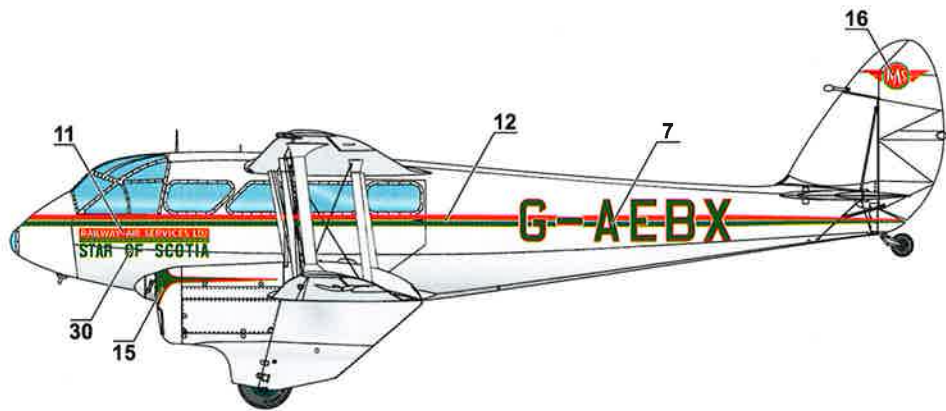


*DH.89 Dragon Rapide "City of Bristol"
s/n 6254, b/n G-ACPP, 1935*

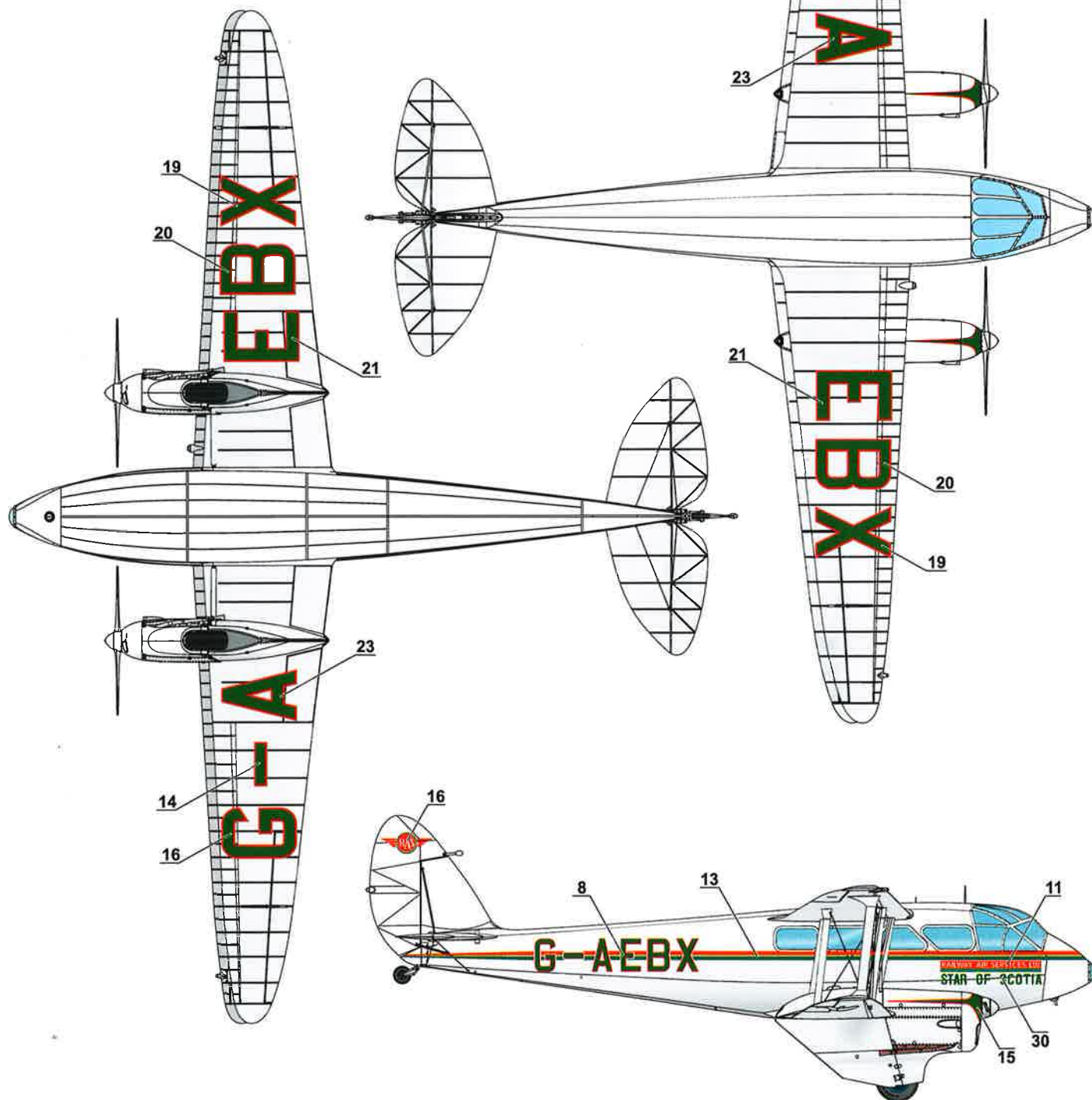


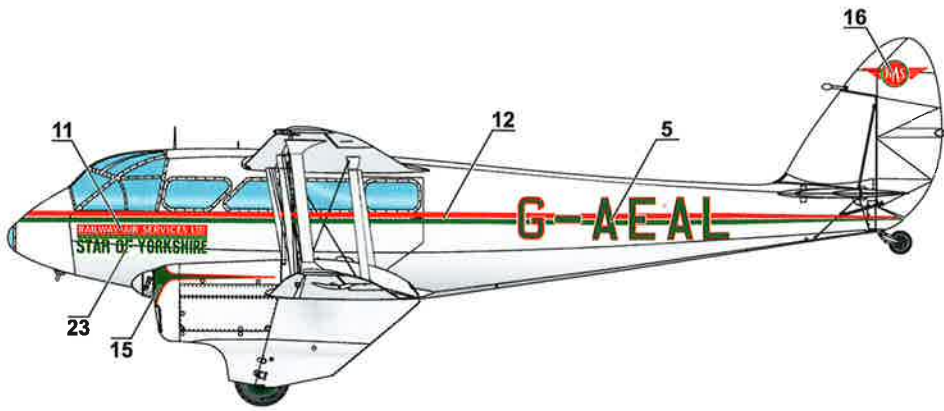
DH.89 Dragon Rapide "City of Birmingham"
s/n 6255, b/n G-ACPR, 1935



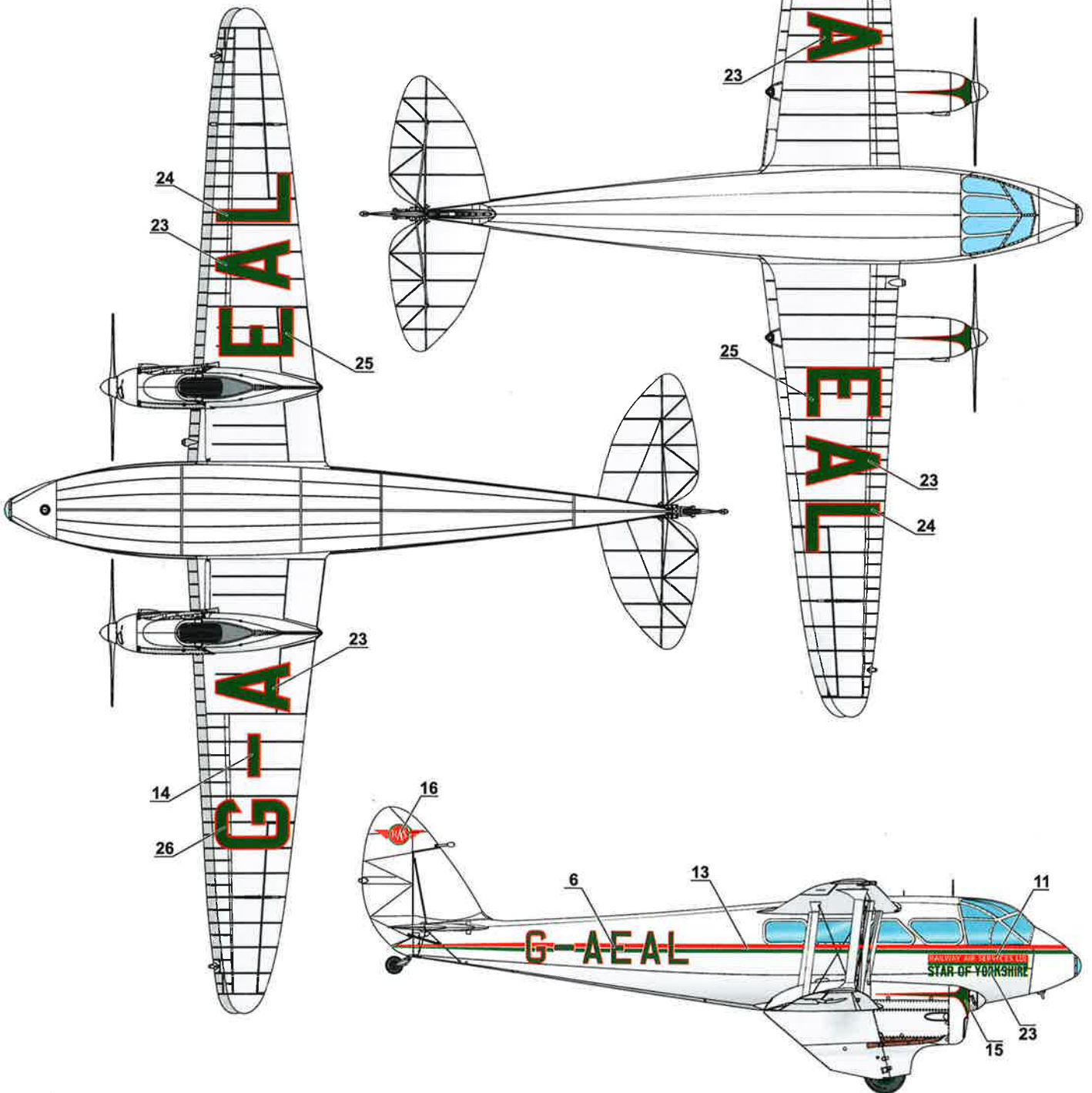


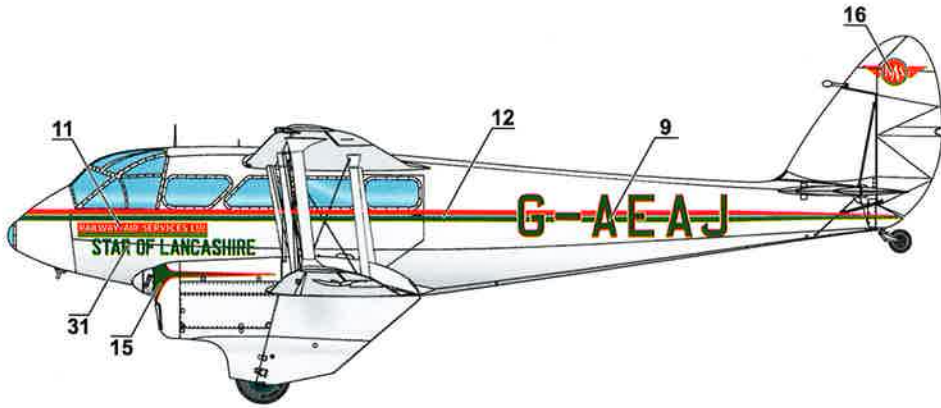
DH.89 Dragon Rapide "Star of Scotia"
s/n 6323, b/n G-AEBX, 1936



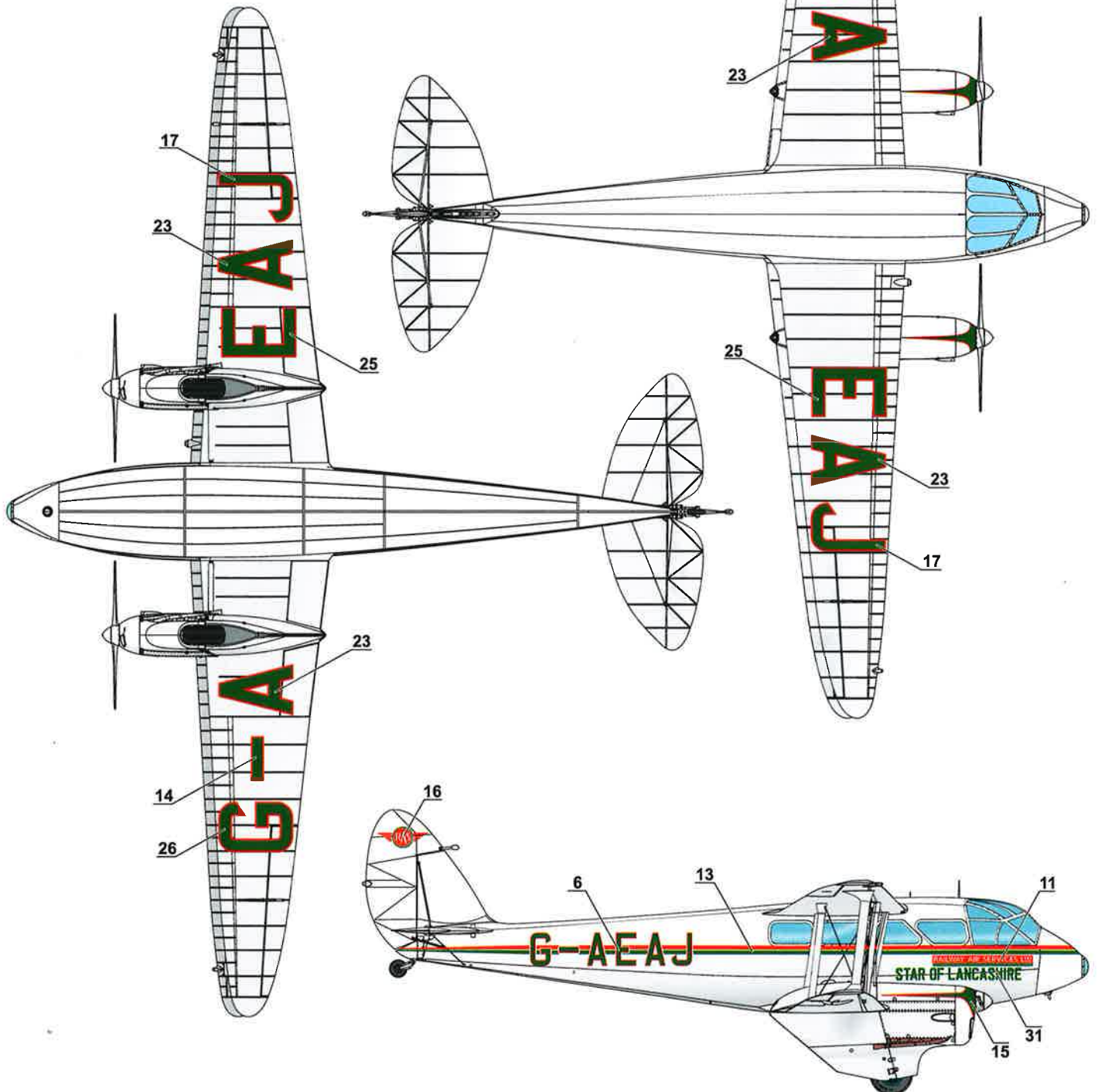


DH.89 Dragon Rapide "Star of Yorkshire"
s/n 6325, b/n G-AEAL, 1936

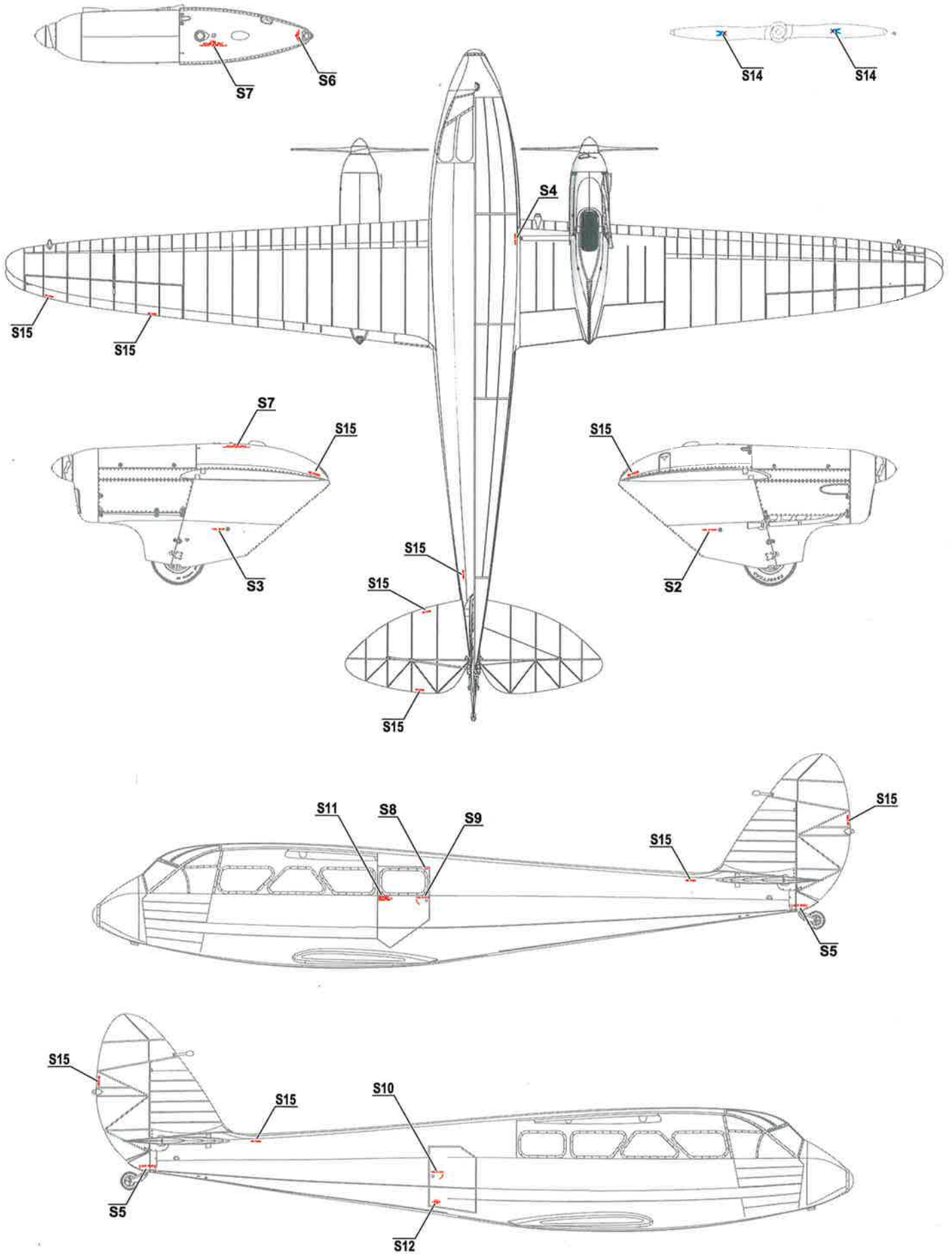




DH.89 Dragon Rapide "Star of Lancashire"
s/n 6320, b/n G-AEAJ, 1936



STENCILING



Scale model kit. Contains set of plastic & PE parts
for one model, decals, painting masks and assembly manual.
Glue and paints are not included.
Shelf life unlimited.

Recommended for children of the age 14 and over.
Prohibited for children under 3 years.
Contains small and sharp parts.

Manufacturer

T.V.Karabyn, Individual Entrepreneur
P.O. Box 703
Ivano-Frankivsk, 76014
Ukraine
www.armorymodels.com
armorymodels@gmail.com
+38(050)-984-1931



PRODUCT OF UKRAINE