

Clear Prop!

STARTER



# GLOSTER E28/39 PIONEER

1:48

model # CP4823



scale model kit

SPAN: 184.2 mm



LENGTH: 163.2mm



NUMBER OF PARTS: 130 pcs

1

stages of assembly

?

optional

A

variants of assembly



glue by super glue

A1

part number



do not glue



fill with putty



make a hole

1

apply decals



detach with knife



apply the adhesive mask



paint



bend



repeat the operation N times

Role	Experimental prototype
National origin	United Kingdom
Manufacturer	Gloster Aircraft Company
Designer	George Carter
First flight	15 May 1941
Status	Retired
Primary user	Royal Aircraft Establishment (RAE)
Number built	2 prototypes

The Gloster E.28/39, (also referred to as the Gloster Whittle, Gloster Pioneer, or Gloster G.40) was the first British jet-engined aircraft and first flew in 1941. It was the third jet to fly after the German Heinkel He 178 (1939) and the Italian Caproni Campini N.1 motorjet (1940).

The E.28/39 was the product of a specification which had been issued by the Air Ministry for a suitable aircraft to test the novel jet propulsion designs that Frank Whittle had been developing during the 1930s. Gloster and the company's chief designer, George Carter, worked with Whittle to develop an otherwise conventional aircraft fitted with a Power Jets W.1 turbojet engine. Flying for the first time on 15 May 1941, a pair of E.28/39 aircraft were produced for the flight test programme. Following initial satisfactory reports, this aircraft continued to be flown to test increasingly refined engine designs and new aerodynamic features.

The E.28/39 contributed valuable initial experience with the new type of propulsion and led to the development of the Gloster Meteor, the first operational jet fighter to enter service with the Allies.

## REQUIRED PAINTS



A

HUMBROL 56  
A.MIG-0194  
ALUMINIUM



B

HUMBROL 29  
A.MIG-0070  
DARK EARTH



C

HUMBROL 116  
A.MIG-0915  
DARK GREEN



D

HUMBROL 106  
A.MIG-0245  
OCEAN GREY



E

HUMBROL 188  
A.MIG-0125  
TRAINER YELLOW



F

HUMBROL 70  
A.MIG-0121  
DULL RED



G

MR. COLOR C61  
A.MIG-0191  
BURNT METALL



H

HUMBROL 33  
A.MIG-0046  
BLACK



J

HUMBROL 78  
A.MIG-0219  
COCKPIT GREEN



K

HUMBROL 62  
A.MIG-0133  
LEATHER



L

HUMBROL 11  
A.MIG-0195  
SILVER



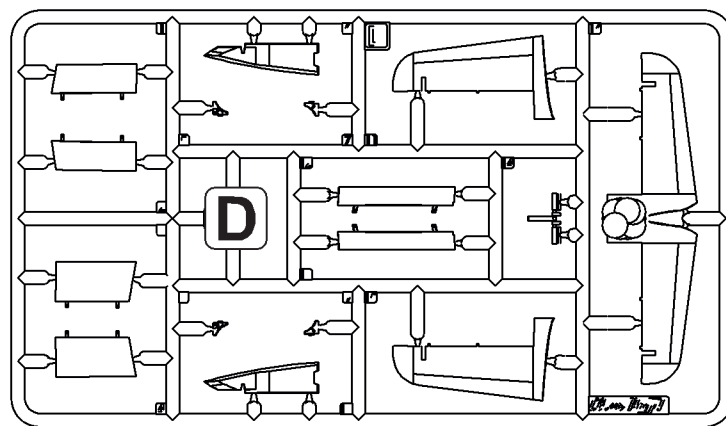
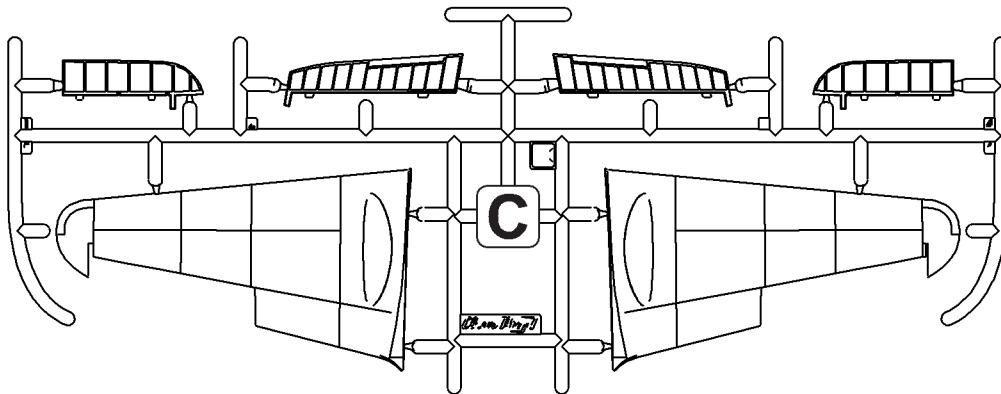
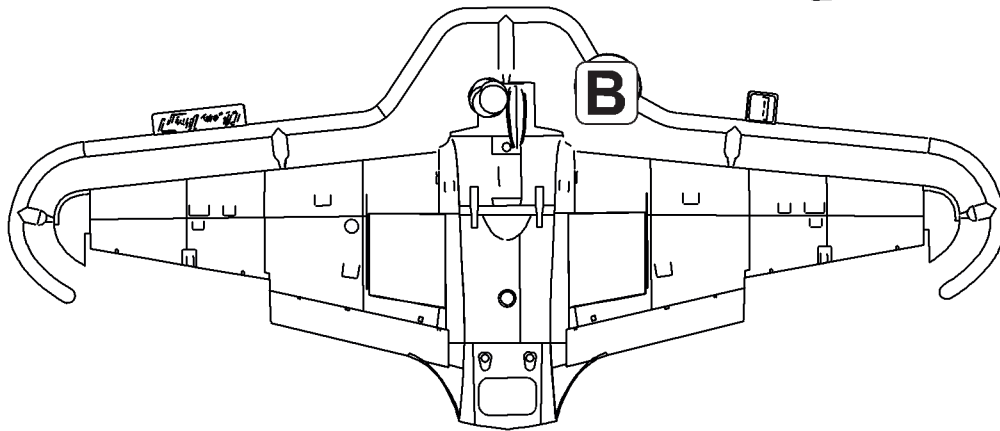
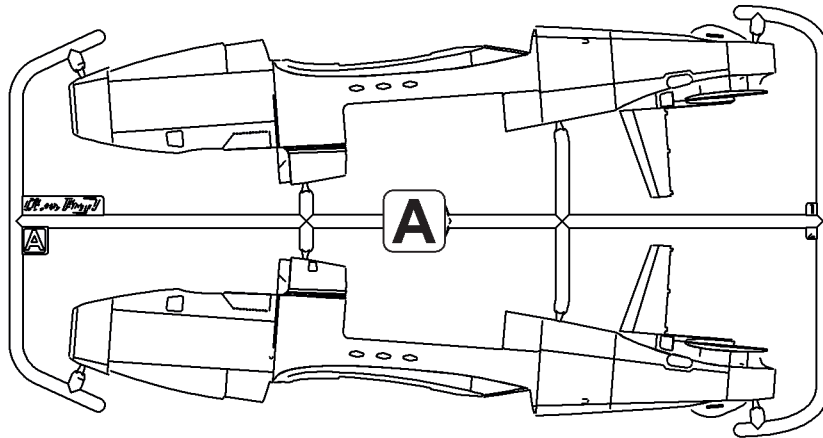
M

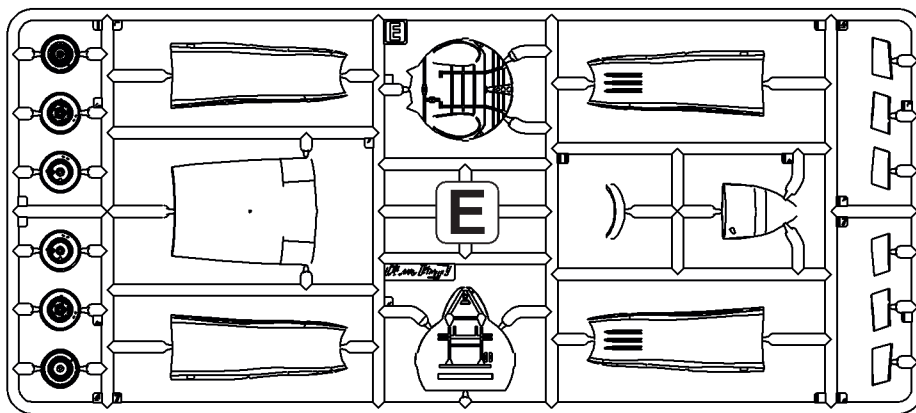
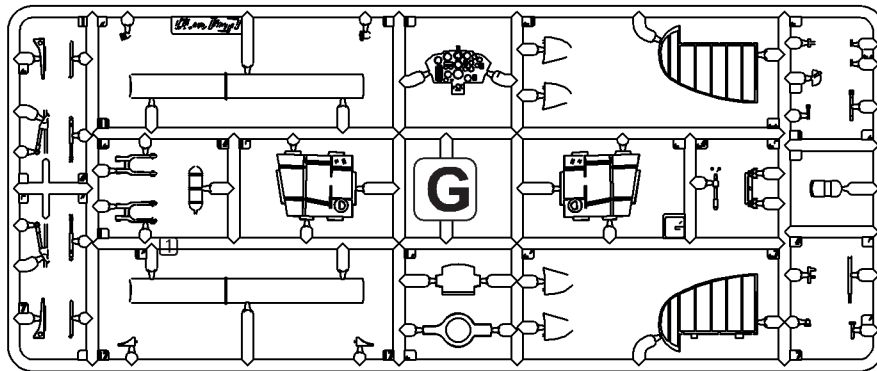
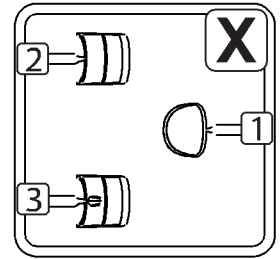
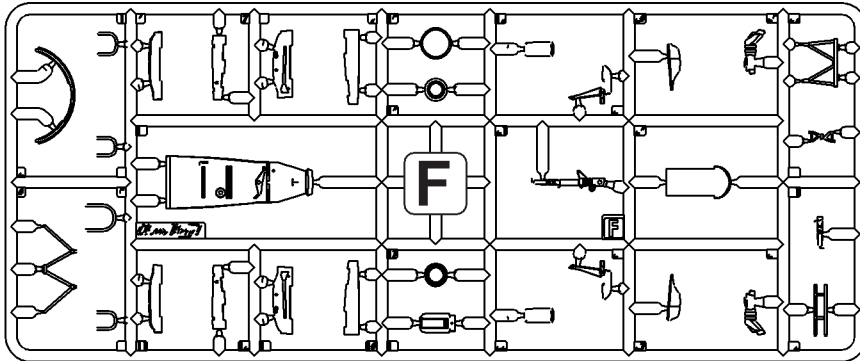
MR. COLOR C137  
A.MIG-0033  
TIRE BLACK



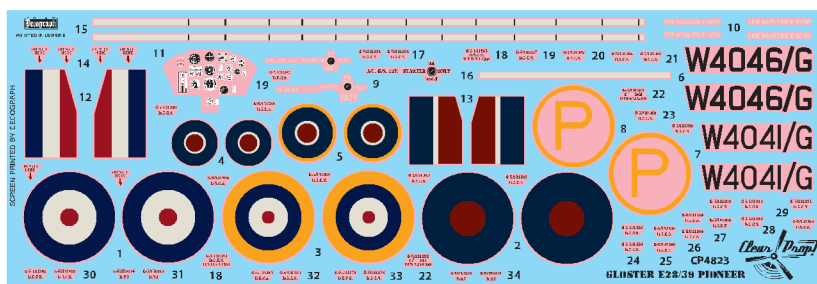
AMMO  
by MIG Jimenez

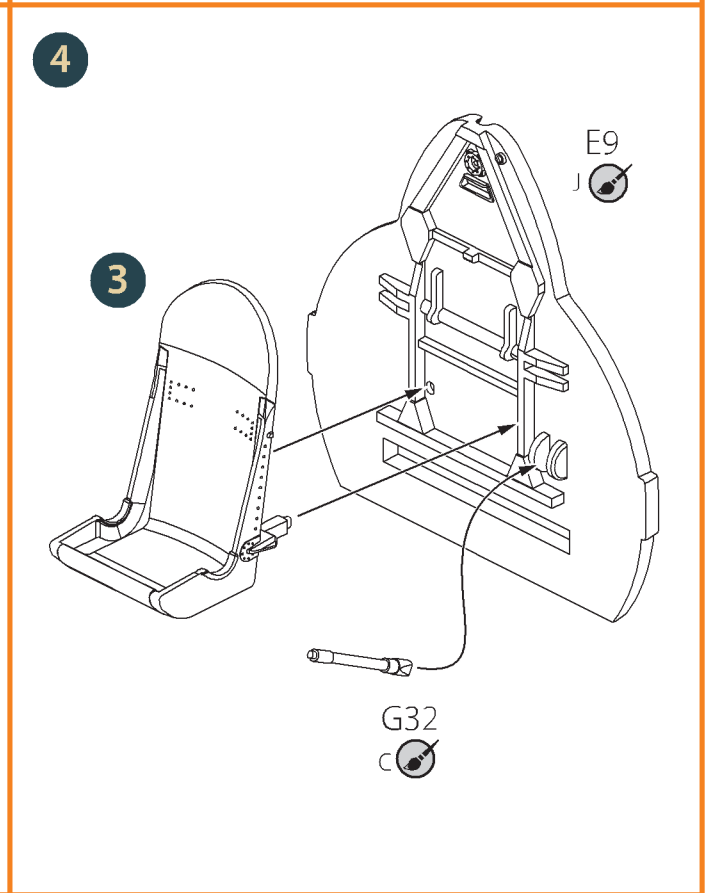
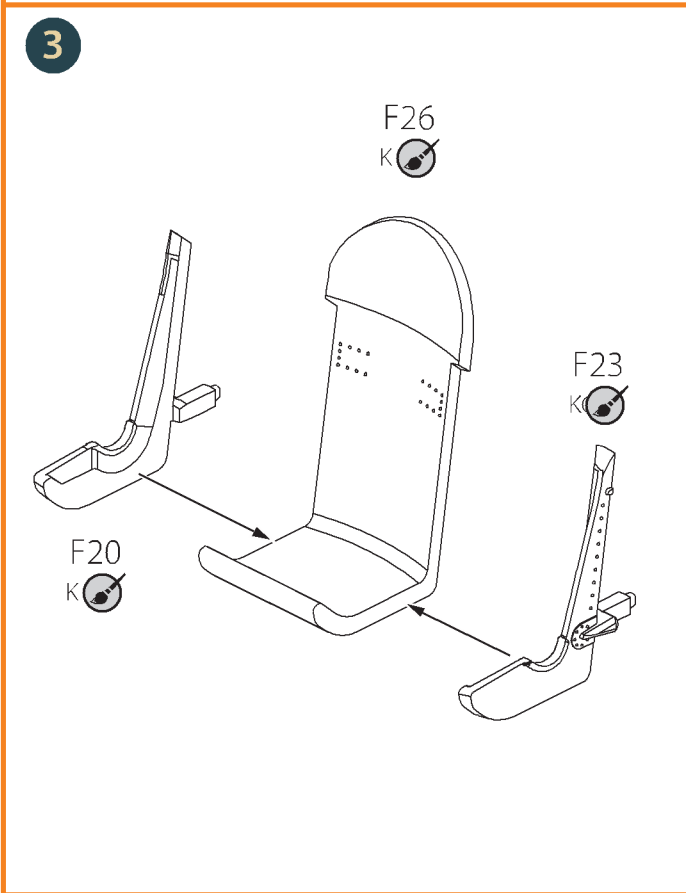
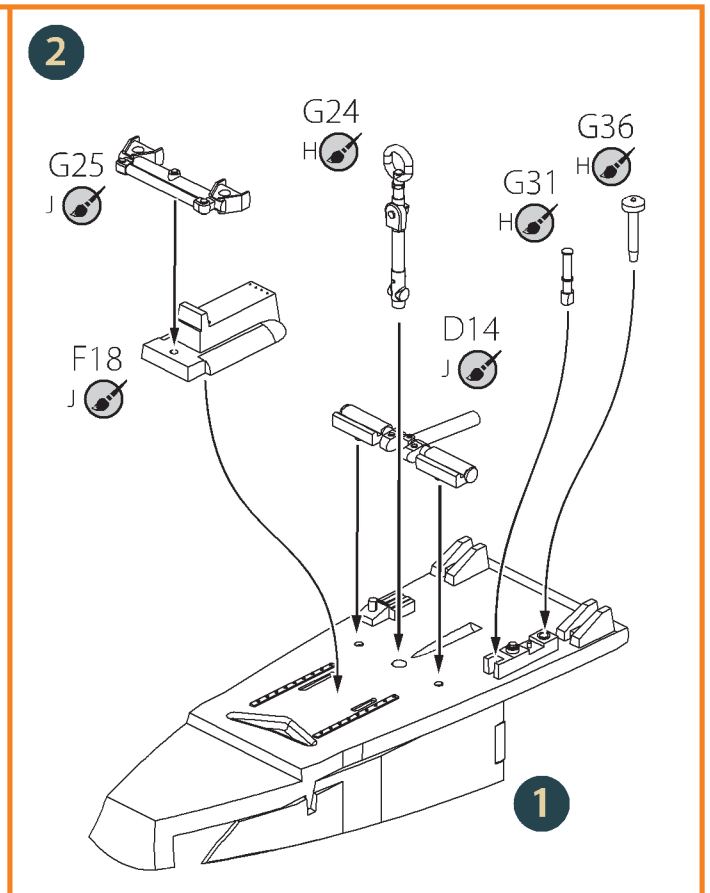
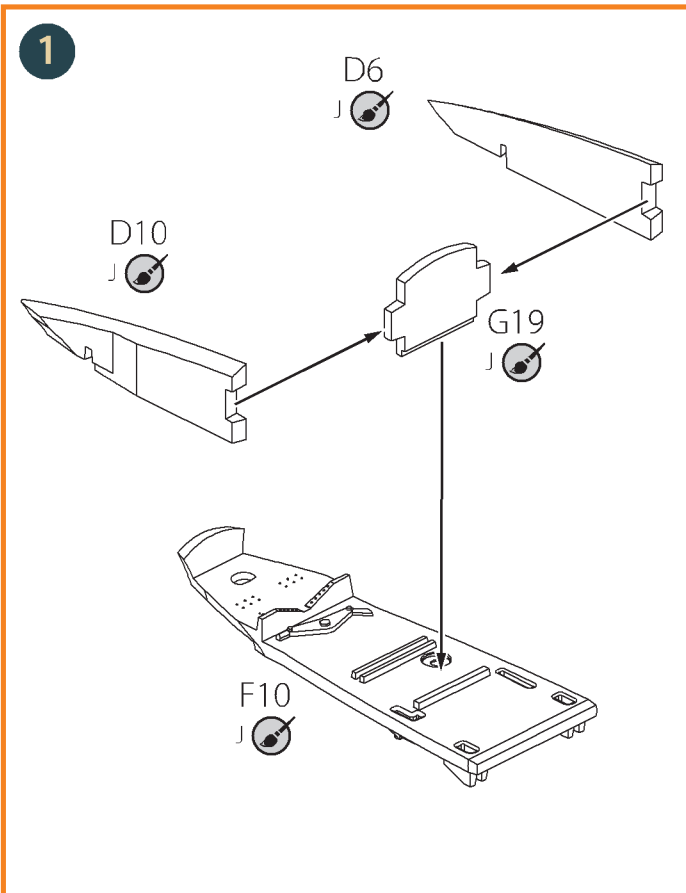
THIS MODEL IS PRODUCED FOR EXPERIENCED MODELERS OVER 14 YEARS

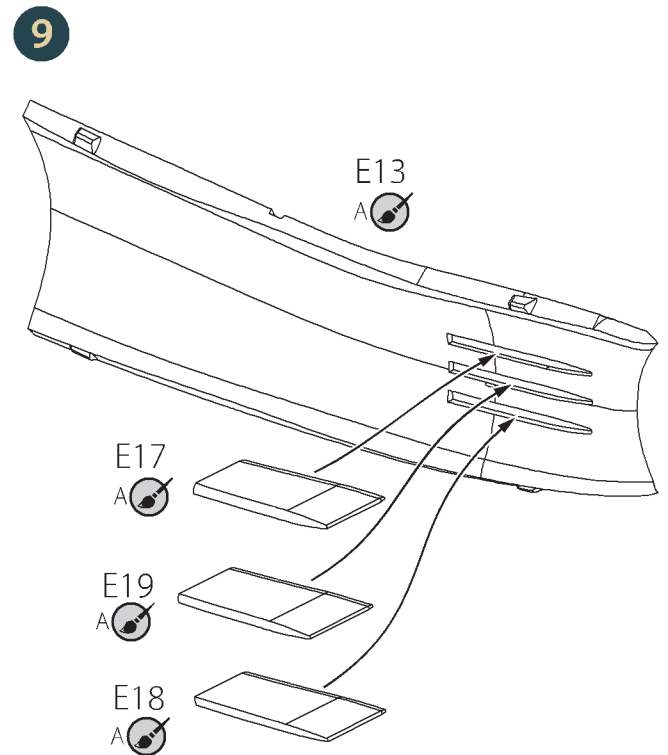
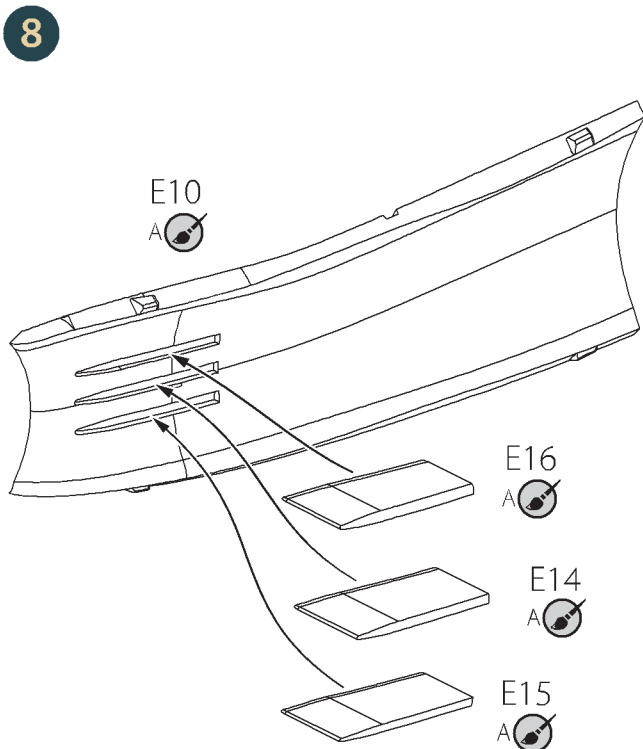
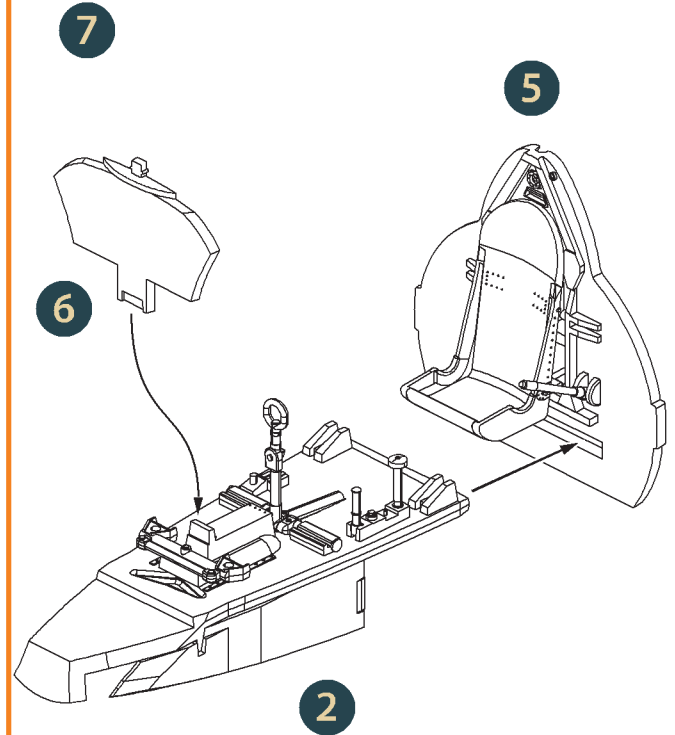
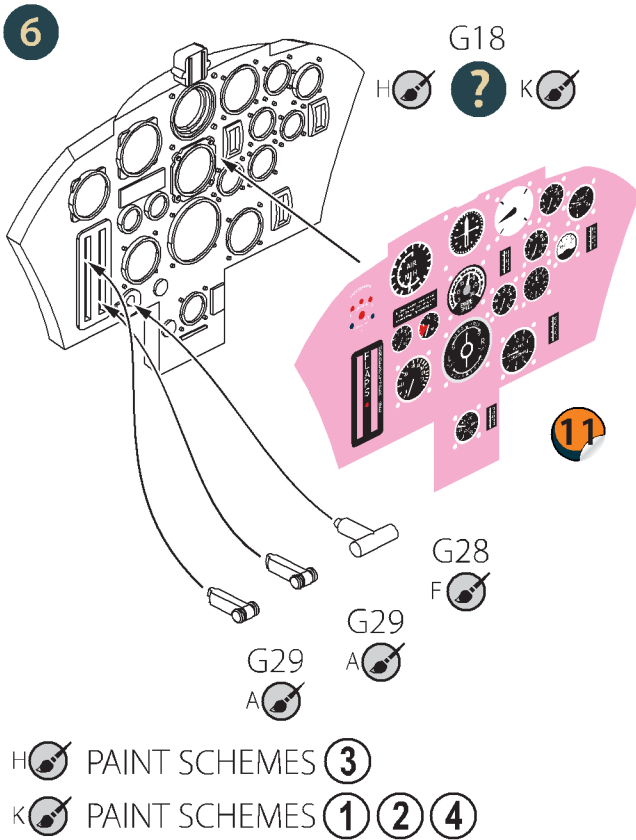




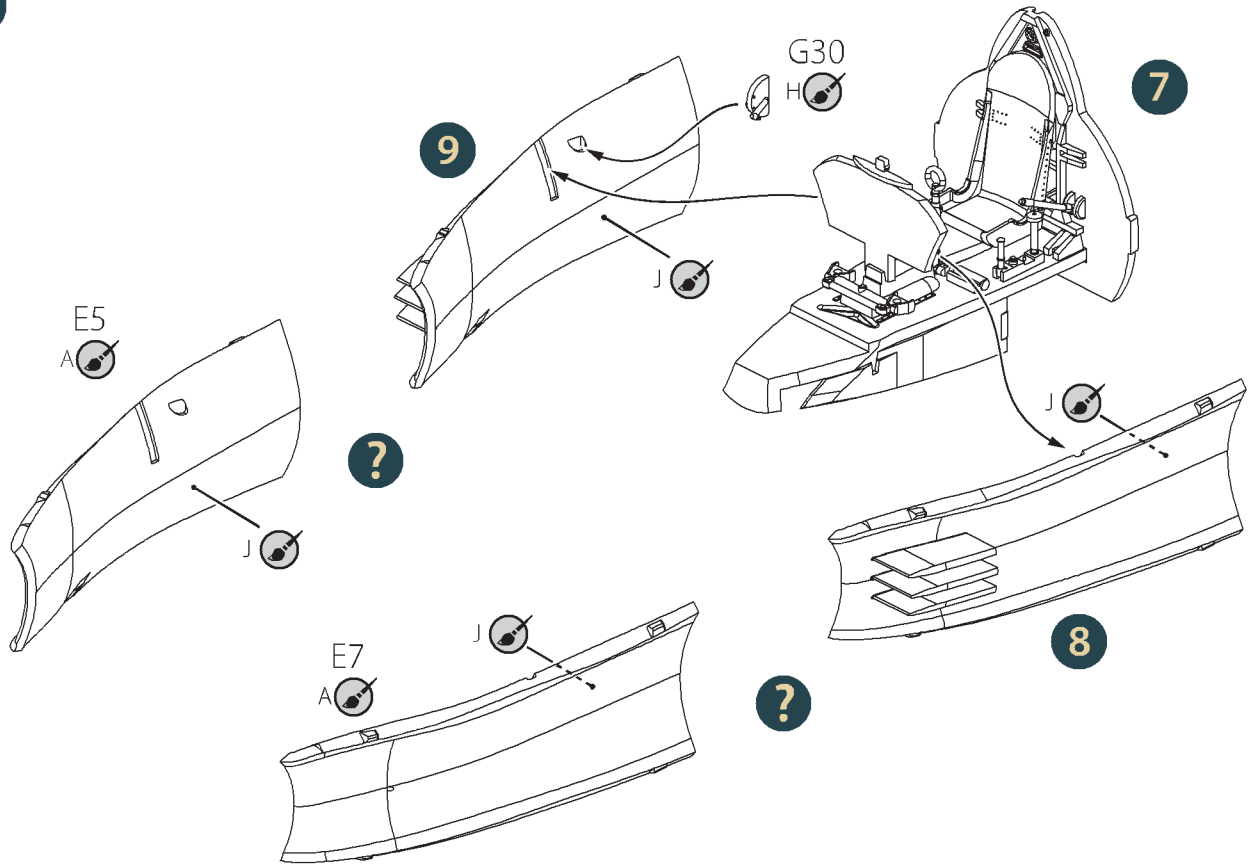
DECAL SHEET



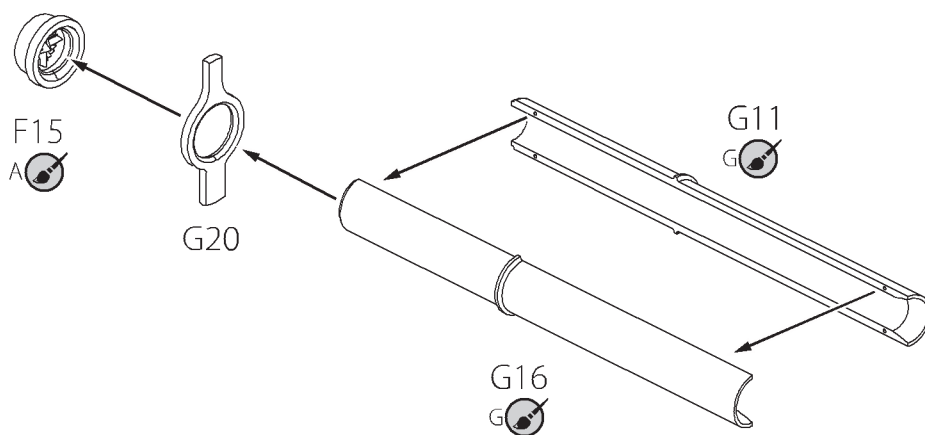




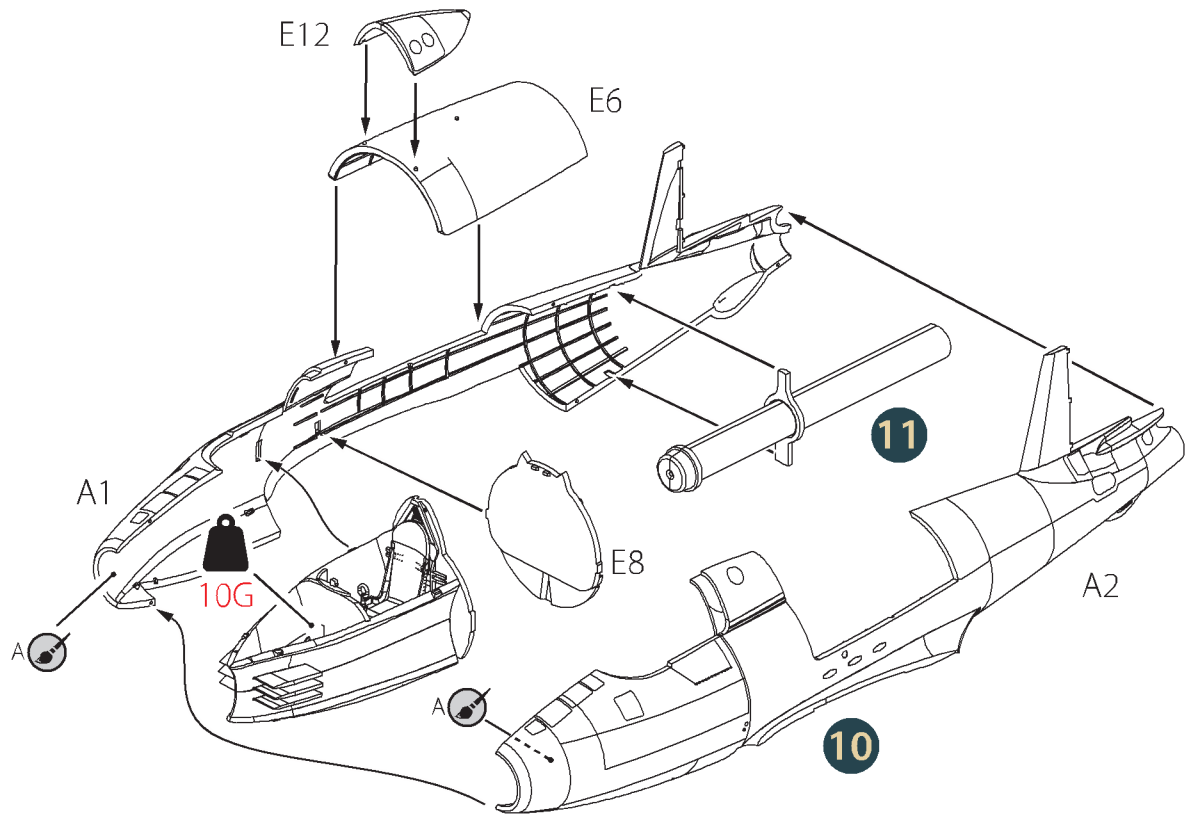
10



11

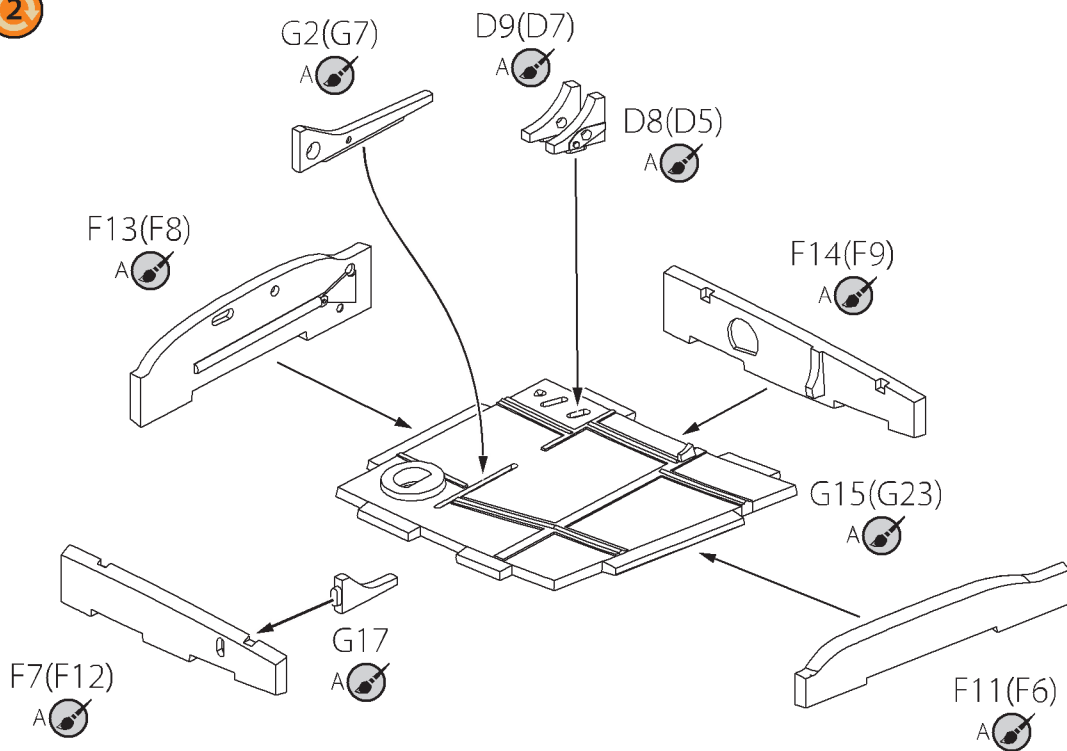


12

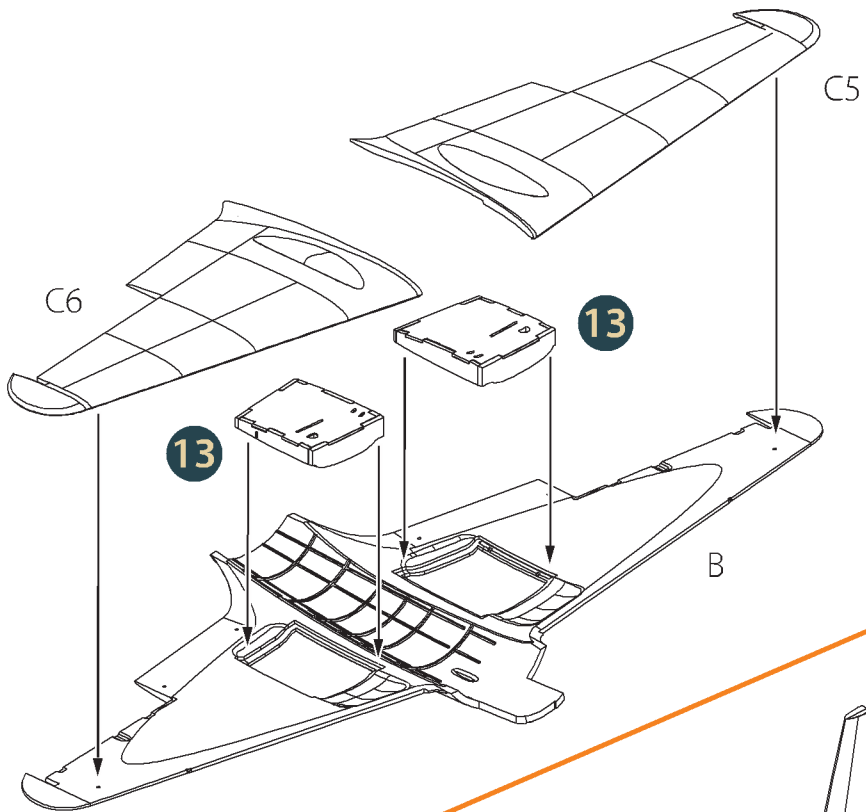


13

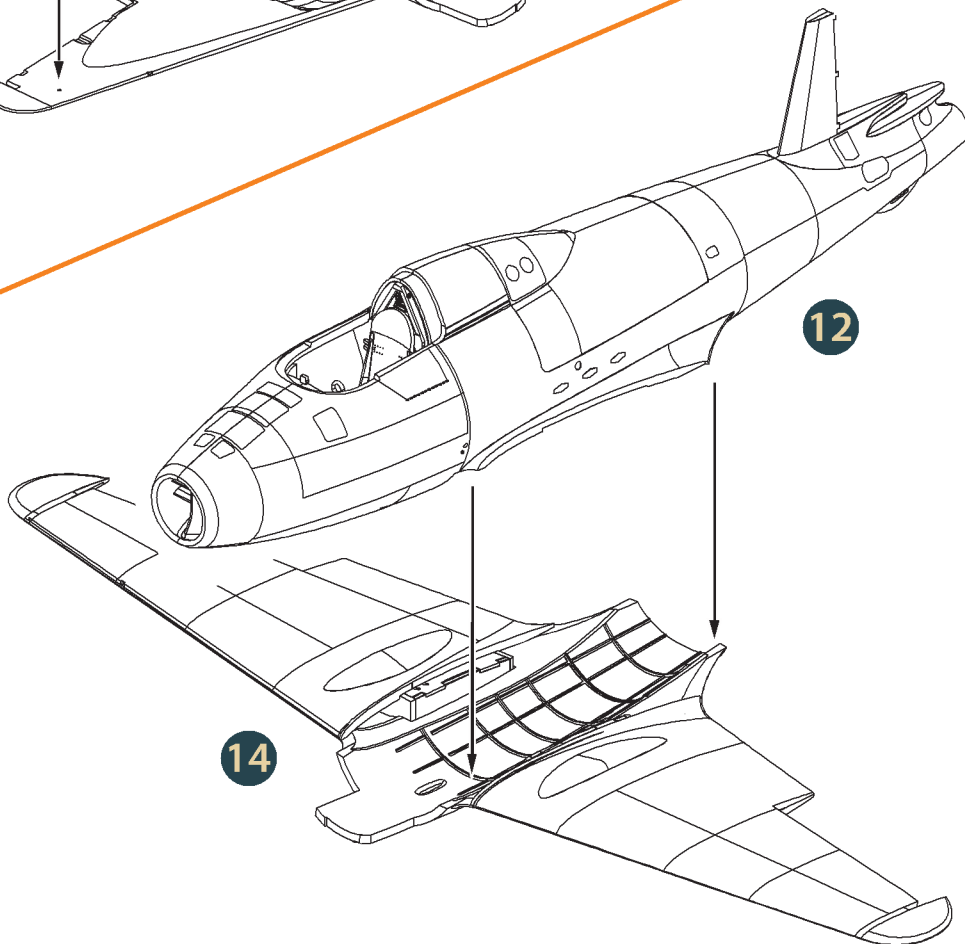
2



14

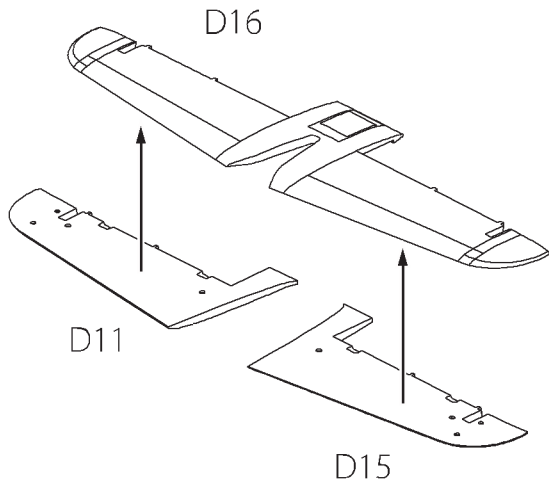


15

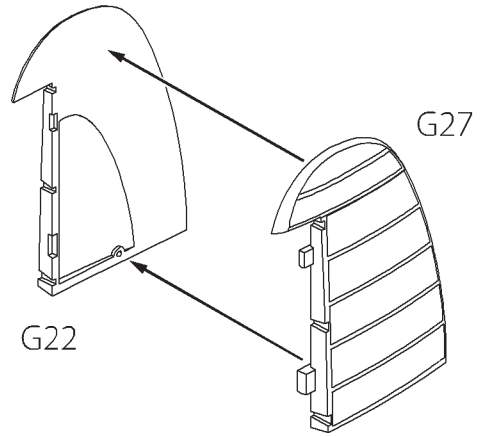




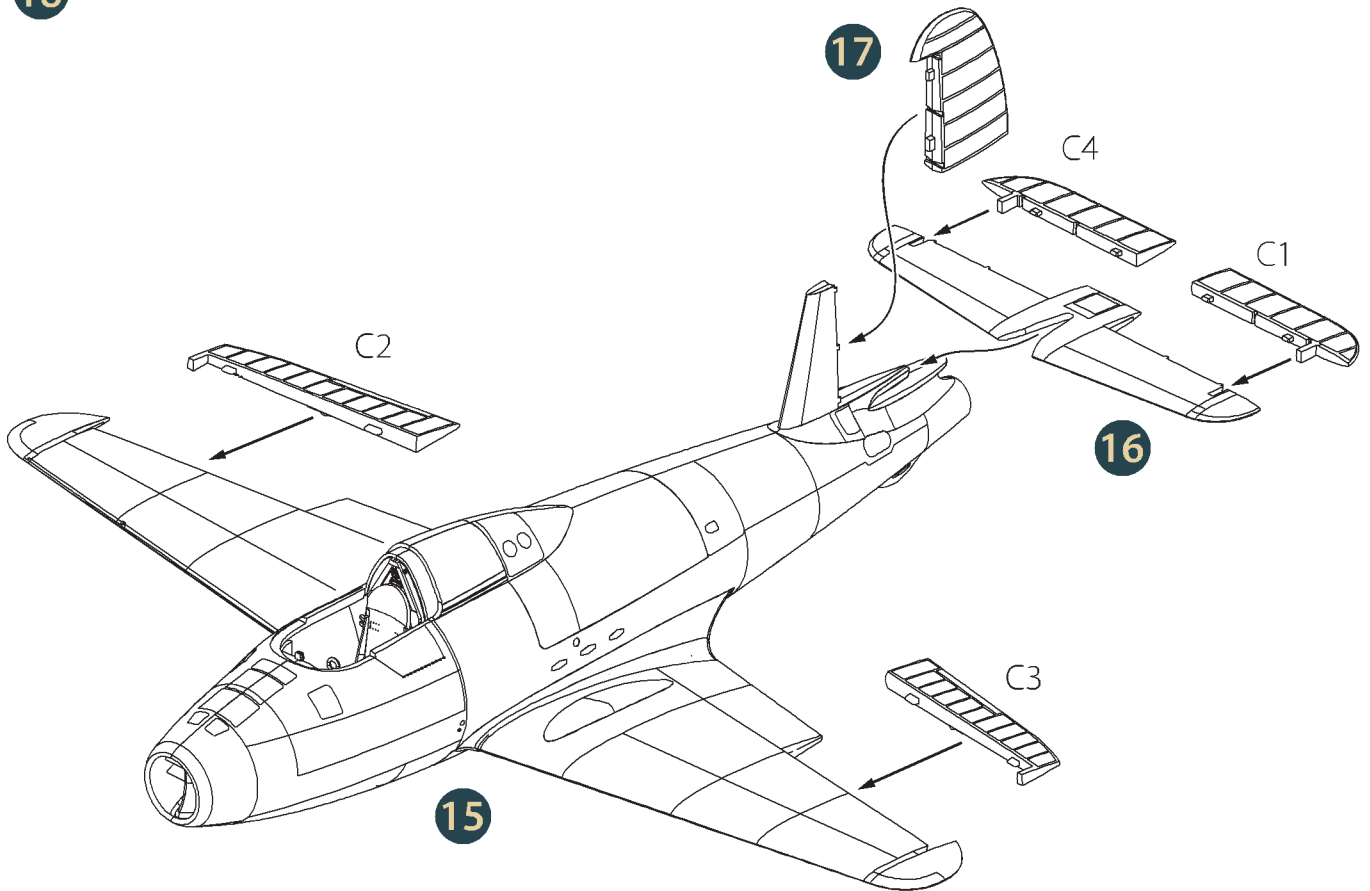
16

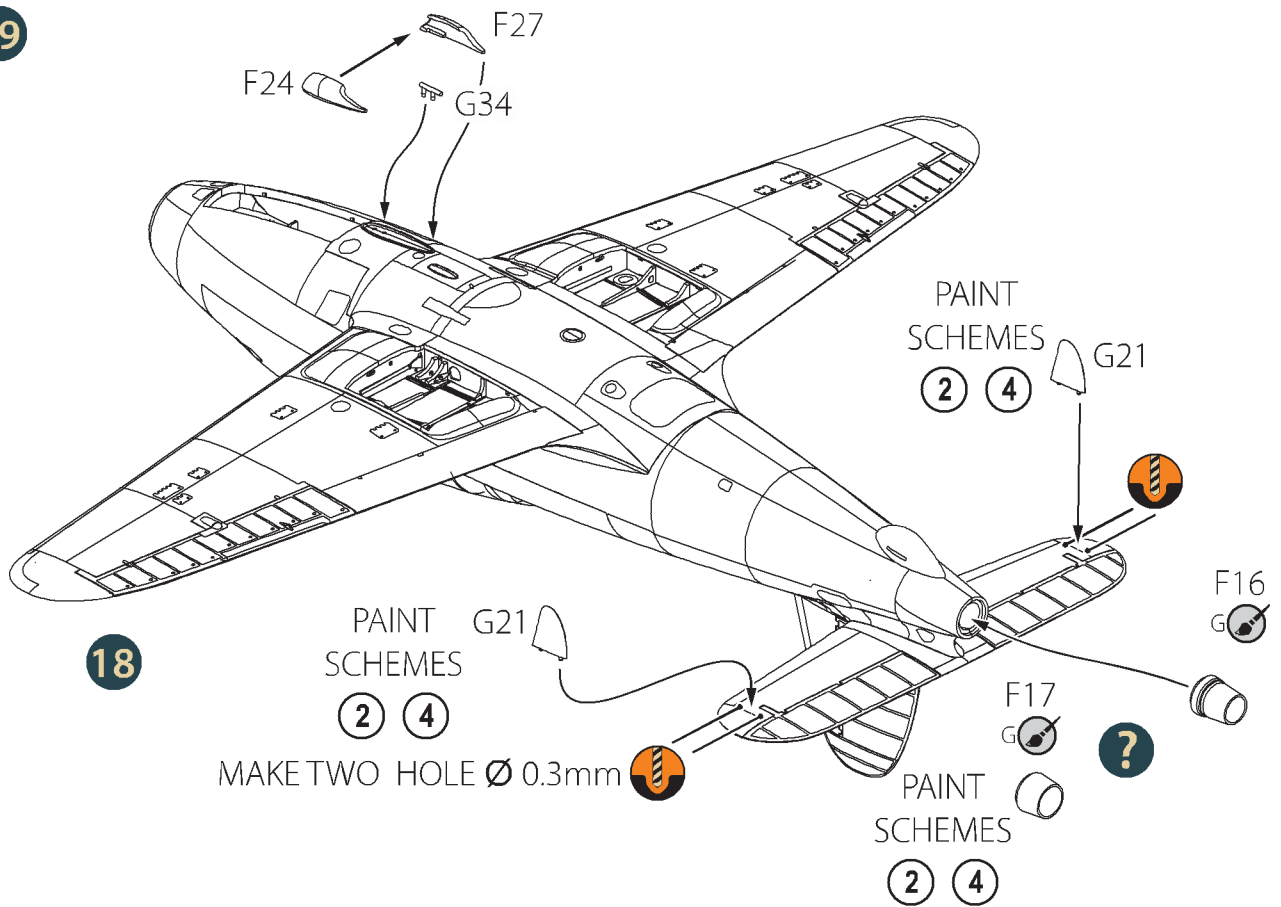
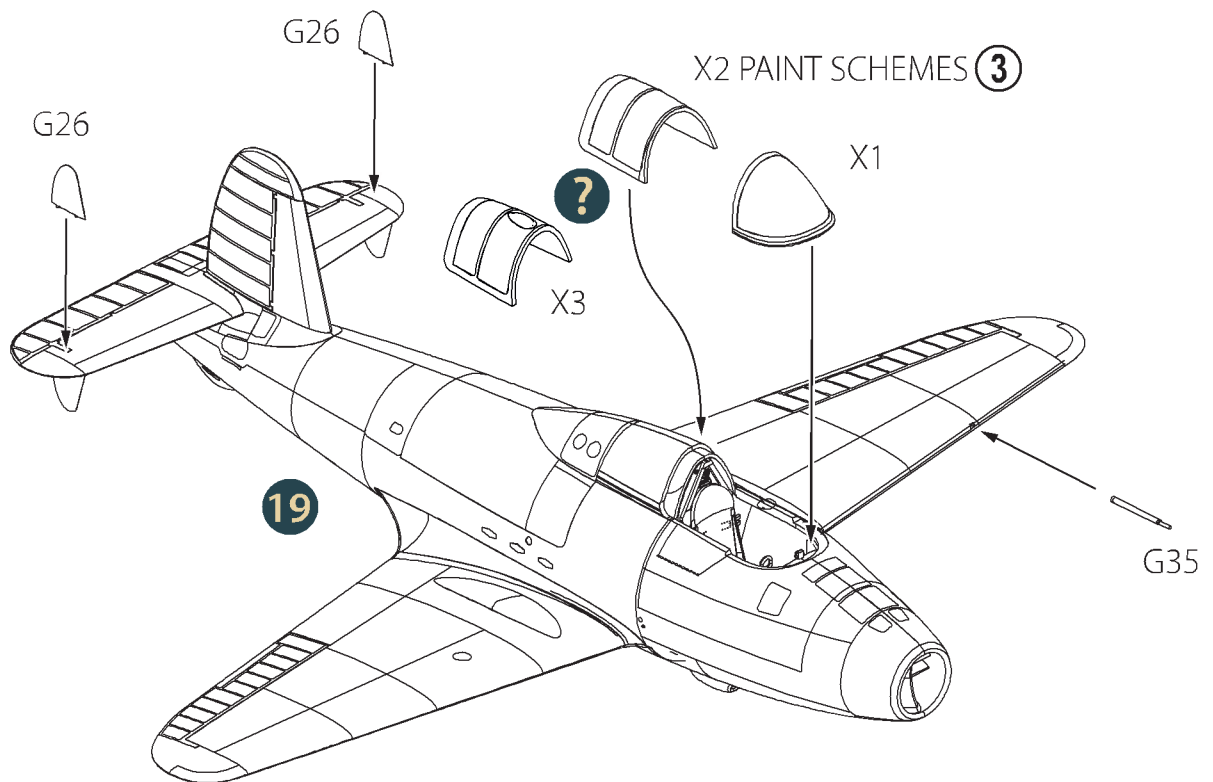


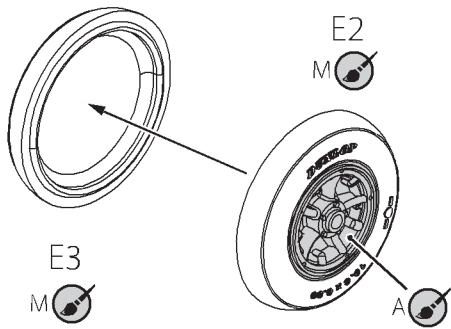
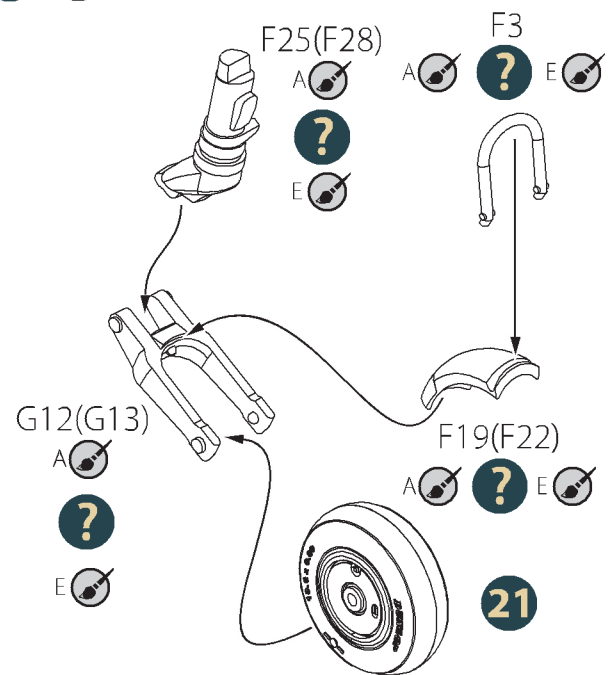
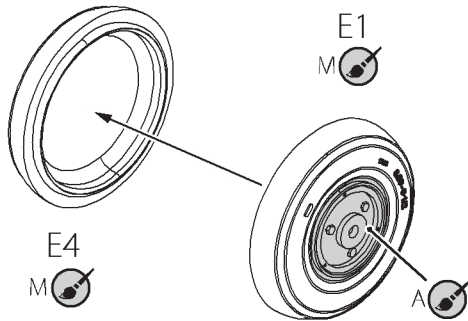
17



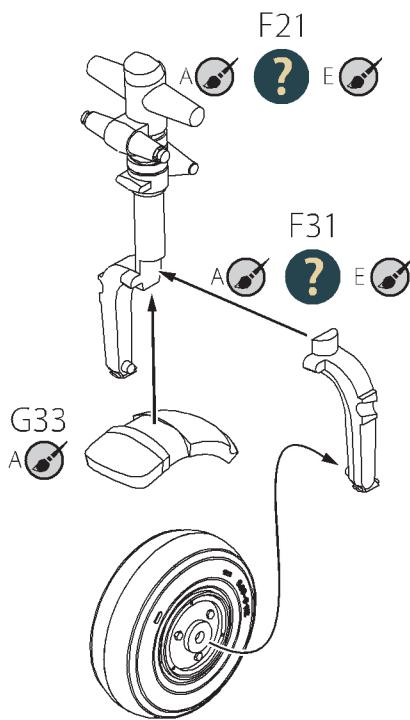
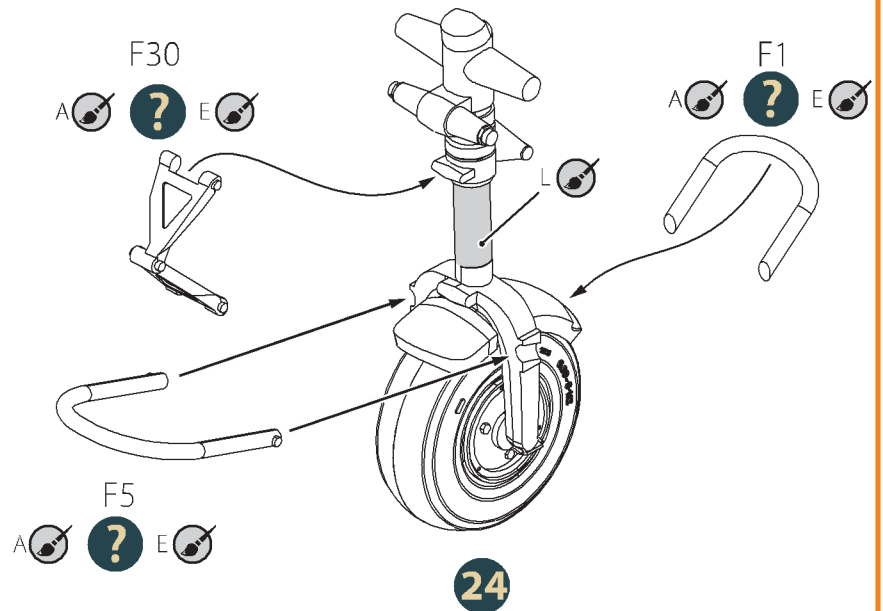
18



**19**

**20**


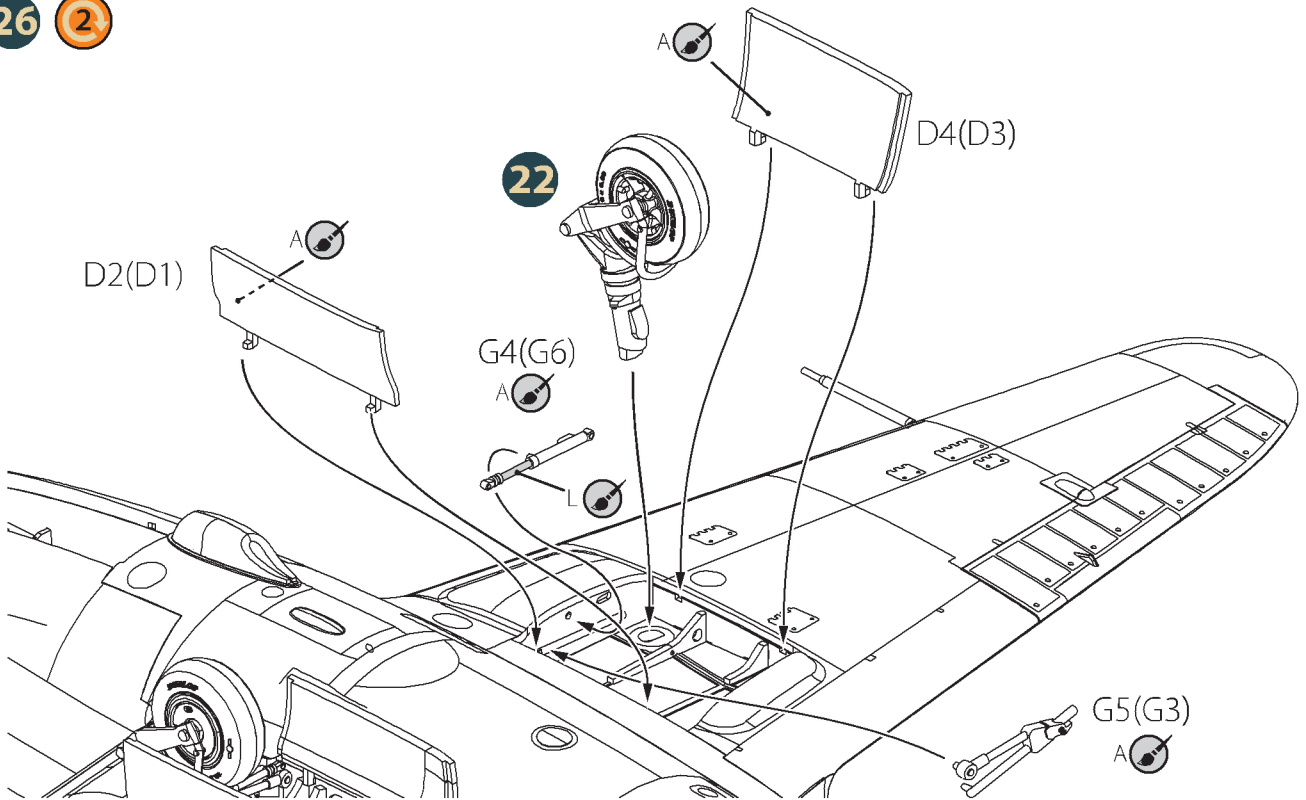
**21** **2**

**22** **2**

**23**


PAINT SCHEMES **3**  
 PAINT SCHEMES **1 2 4**

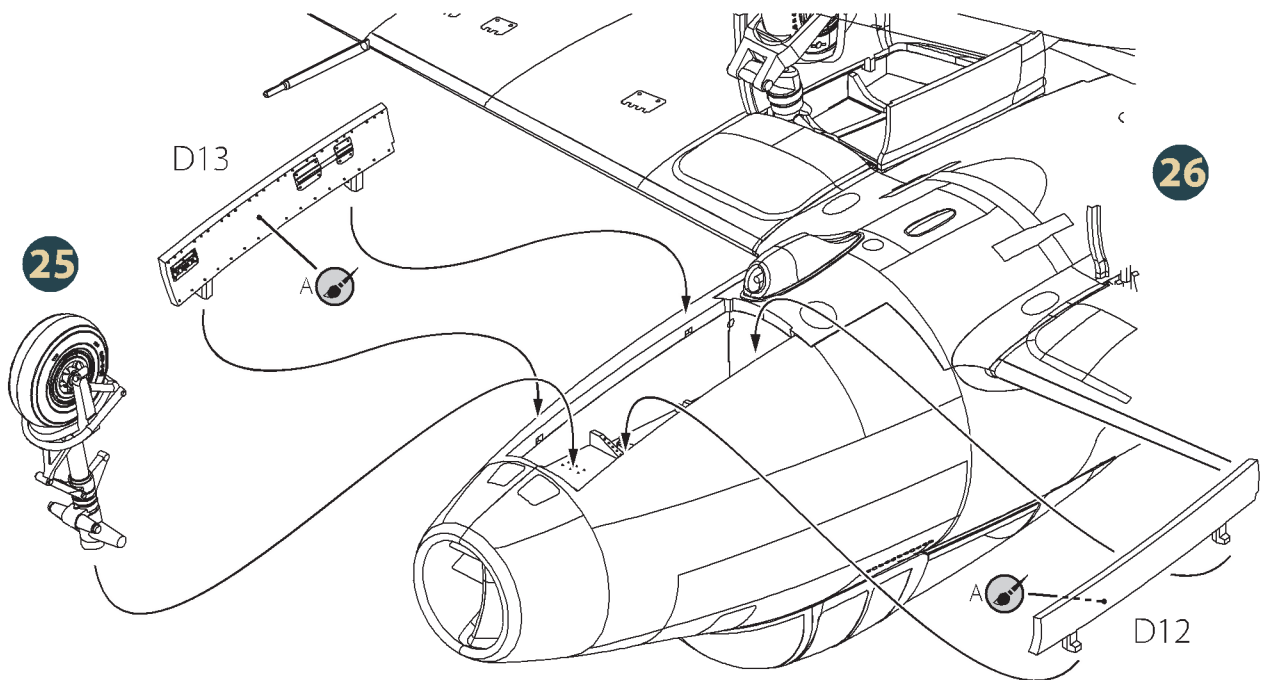
**24**

**25** **2**

**23**

PAINT SCHEMES **3**  
 PAINT SCHEMES **1 2 4**

26 2



27





**A**  
HUMBROL 56  
A.MIG-0194  
ALUMINIUM



**B**  
HUMBROL 29  
A.MIG-0070  
DARK EARTH



**C**  
HUMBROL 116  
A.MIG-0915  
DARK GREEN



**D**  
HUMBROL 106  
A.MIG-0245  
OCEAN GREY



**E**  
HUMBROL 188  
A.MIG-0125  
TRAINER YELLOW



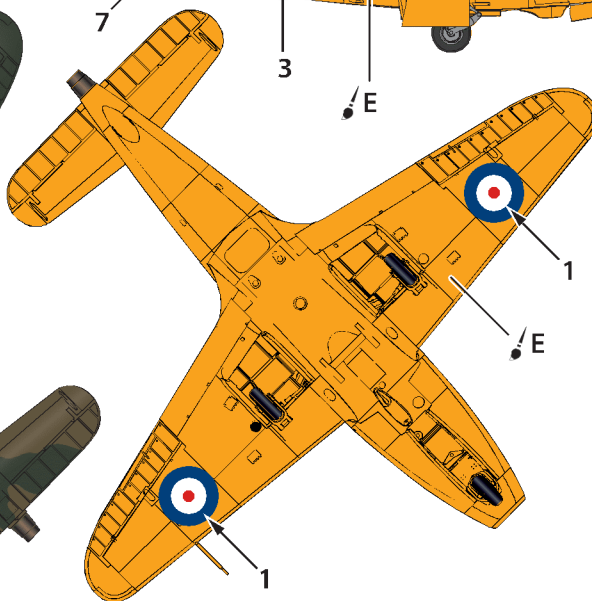
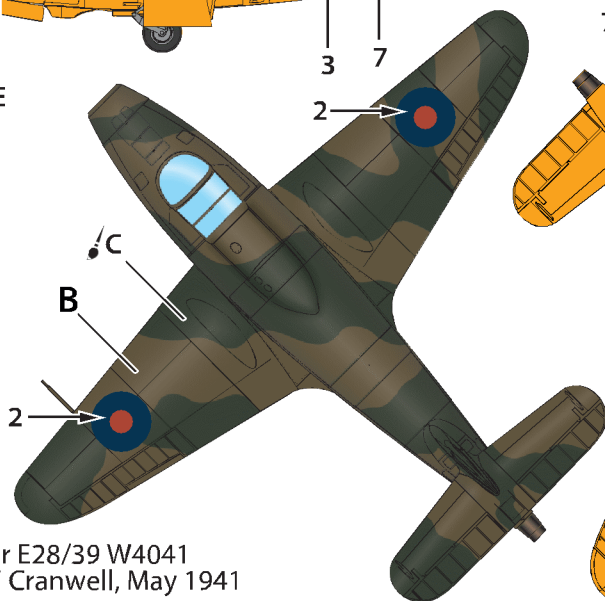
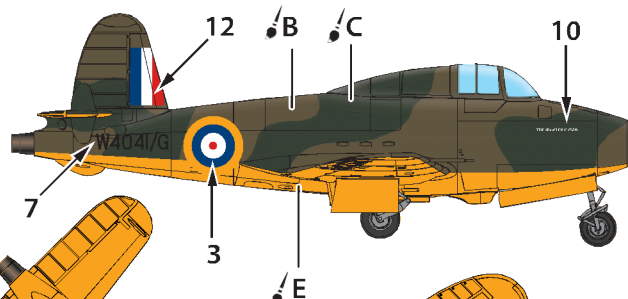
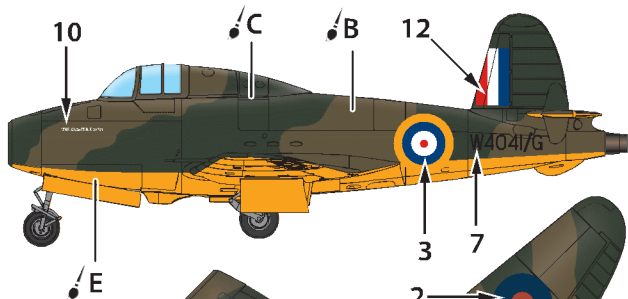
**F**  
HUMBROL 70  
A.MIG-0121  
DULL RED



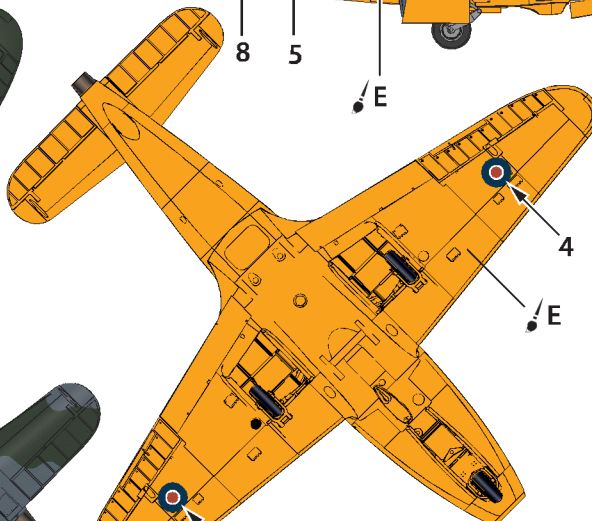
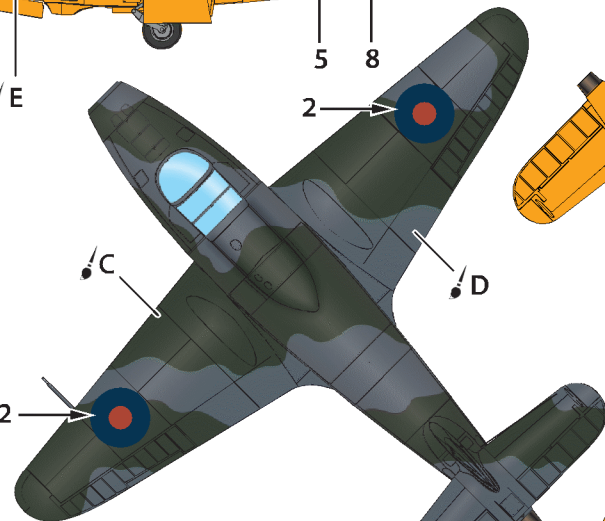
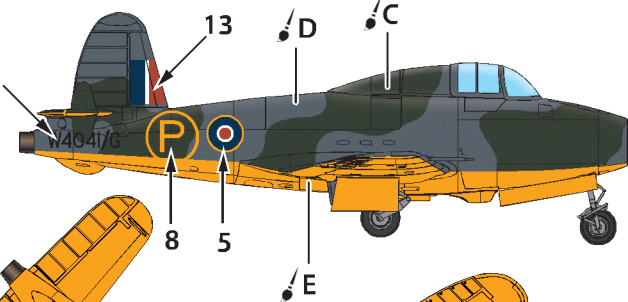
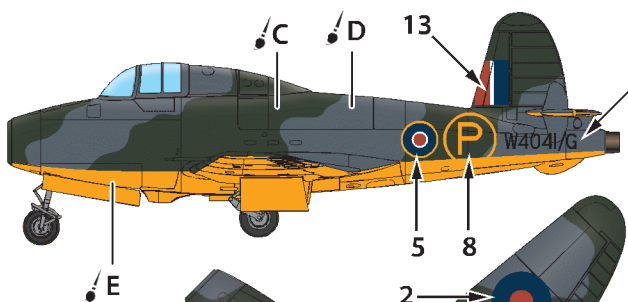
**G**  
MR. COLOR C61  
A.MIG-0191  
BURNT METALL



**M**  
MR. COLOR C137  
A.MIG-0033  
TIRE BLACK



① Gloster E28/39 W4041  
at RAF Cranwell, May 1941



② Gloster E28/39 W4041  
at RAE Farnborough, December 1944

**A** HUMBROL 56  
A.MIG-0194  
ALUMINIUM

**B** HUMBROL 29  
A.MIG-0070  
DARK EARTH

**C** HUMBROL 116  
A.MIG-0915  
DARK GREEN

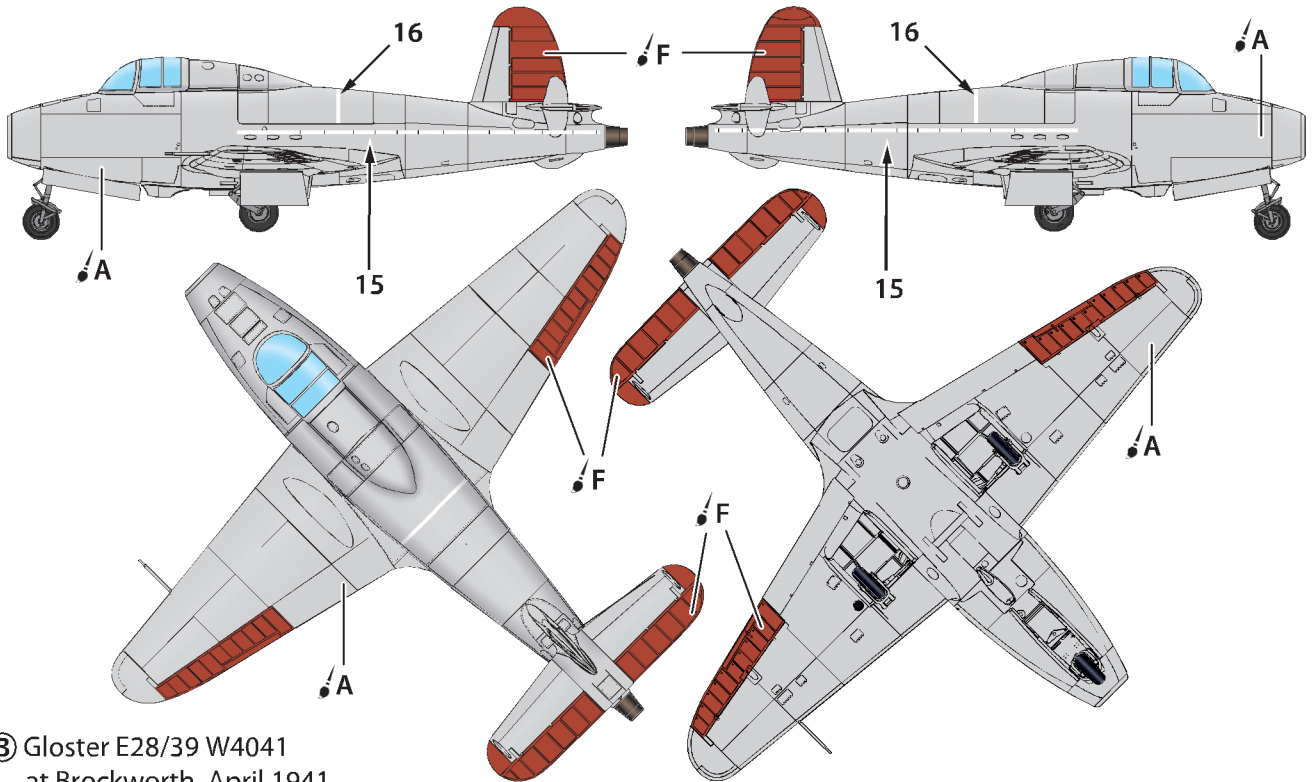
**D** HUMBROL 106  
A.MIG-0245  
OCEAN GREY

**E** HUMBROL 188  
A.MIG-0125  
TRAINER YELLOW

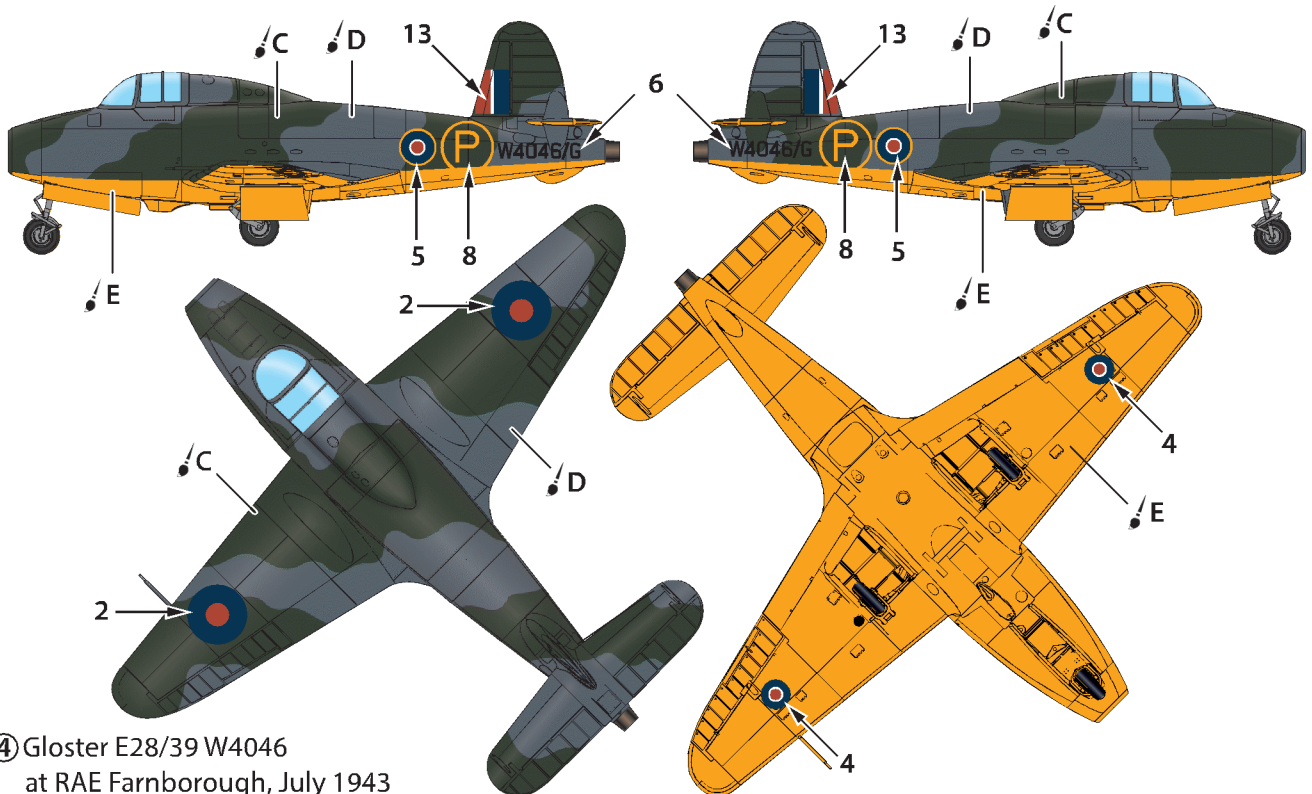
**F** HUMBROL 70  
A.MIG-0121  
DULL RED

**G** MR. COLOR C61  
A.MIG-0191  
BURNT METALL

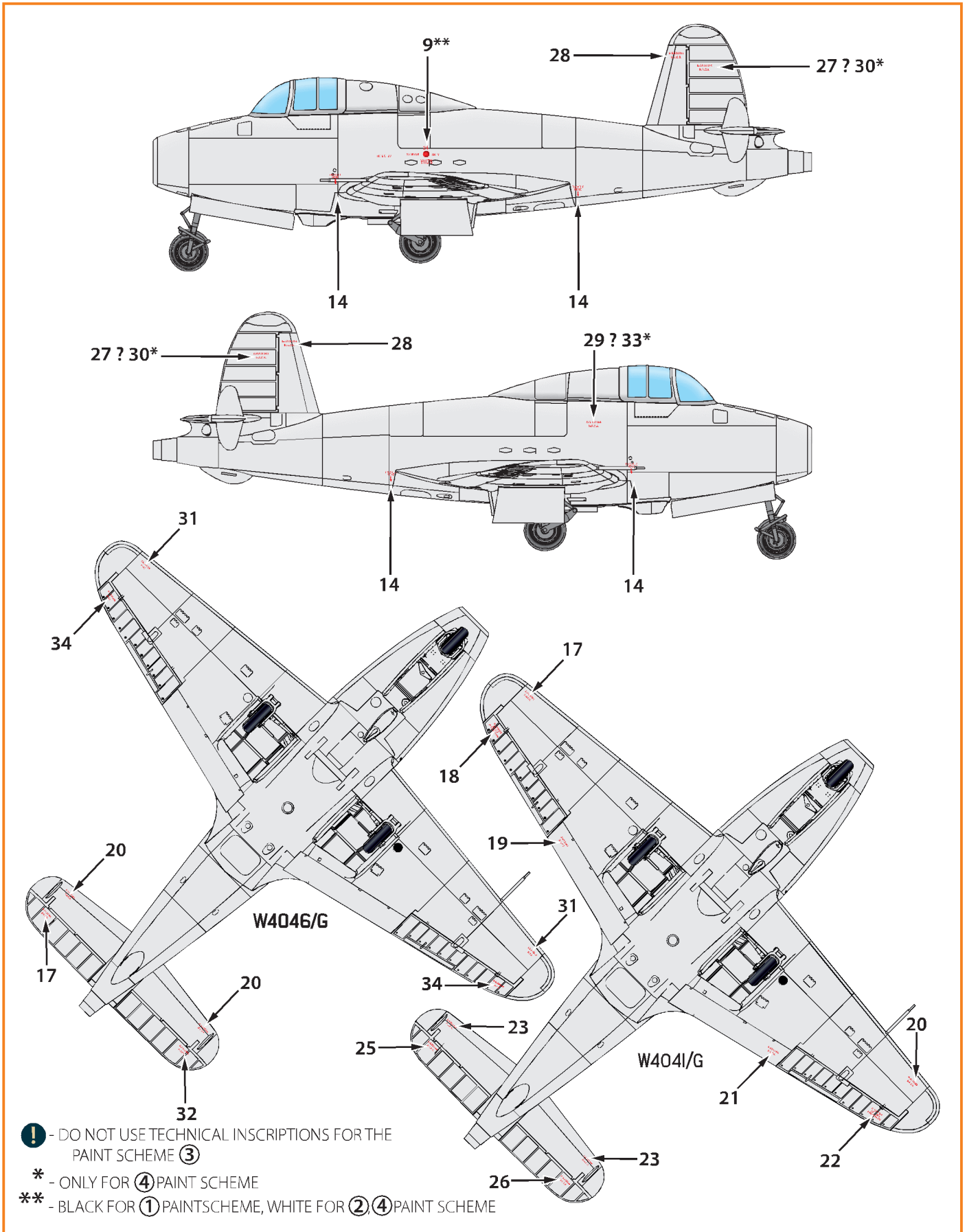
**M** MR. COLOR C137  
A.MIG-0033  
TIRE BLACK



③ Gloster E28/39 W4041  
at Brockworth, April 1941



④ Gloster E28/39 W4046  
at RAE Farnborough, July 1943





VISIT OUR SITE FOR MORE SCALE MODEL KITS

clearpropmodels.com

**Clear Prop!**

**ETCHED BRASS**

**GLOSTER  
E28/39  
PIONEER**

ACCESSORIES SET FOR  
CLEAR PROP KIT

**1:48**  
#CPA48046



NUMBER OF PARTS: 15 pcs

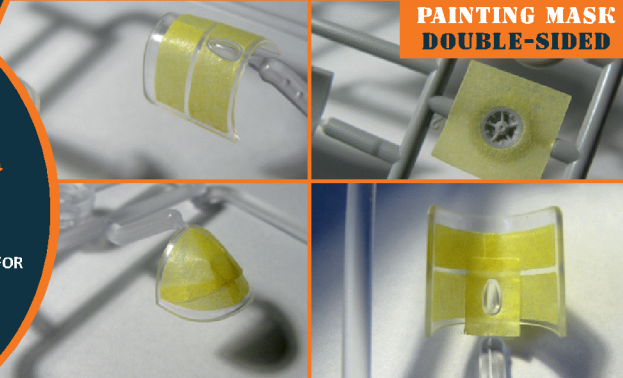
**Clear Prop!**

**PAINTING MASK  
DOUBLE-SIDED**

**GLOSTER  
E28/39  
PIONEER**

ACCESSORIES SET FOR  
CLEAR PROP KIT

**1:48**  
#CPA48043



NUMBER OF PARTS: 31 pcs

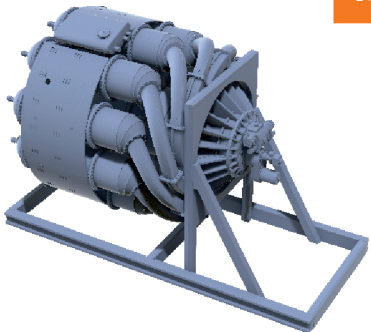
**Clear Prop!**

**3D PRINT**

**GLOSTER  
E28/39 PIONEER  
ENGINE SET**

ACCESSORIES SET FOR  
CLEAR PROP KIT

**1:48**  
#CPA48045



NUMBER OF PARTS: 1 pcs