



KITTY
HAWK

1:48 scale

SH-2G

"SUPER SEASPRITE"

拼装說明書

Instruction



Instruction



Please visit our web site at
www.kittyhawkmodel.com

SH-2G
"超級海妖"艦載直升機

Item No.KH80126

READ BEFORE ASSEMBLY

在組合您的模型之前，請充分閱讀本冊說明書。組合模型您需要如下物品（需另購）：模型膠水；一把模型鉗或一把用于將零件從框架上切下的模型筆刀。筆刀同樣可以用來修整零件的合模綫。祝您制作愉快！

Before assembling your model kit, read through these instructions carefully. To assemble this kit, you will need Plastic glue (not include). A pair of side cutter or a sharp modelling knife is required for removing parts from the frame. Plastic mould lines can be removed with the modelling knife.



請注意
Special instructions



隨愛好選擇
Optional



組合完成
Finished Assembly



制作兩組
Make Two



配重
Weight



塗色
Painting



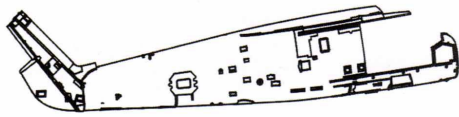
無需膠粘
Do Not Cement



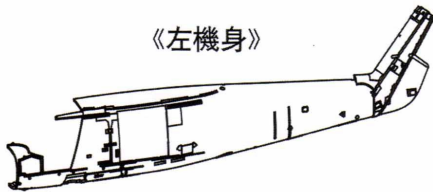
對側
Opposite

部品圖 PARTS

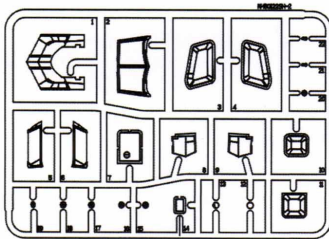
《右機身》



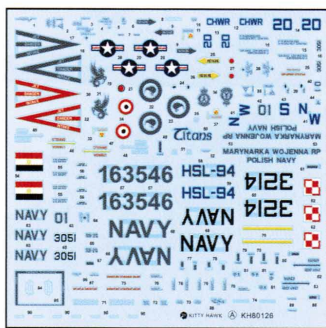
《左機身》



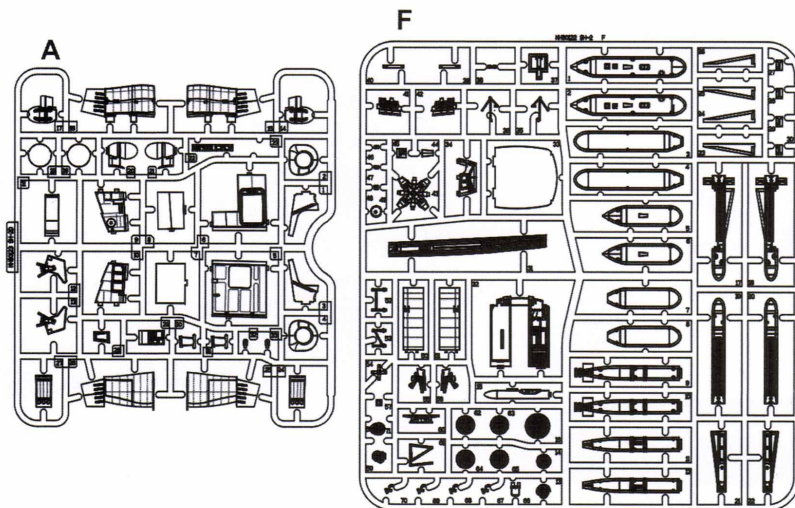
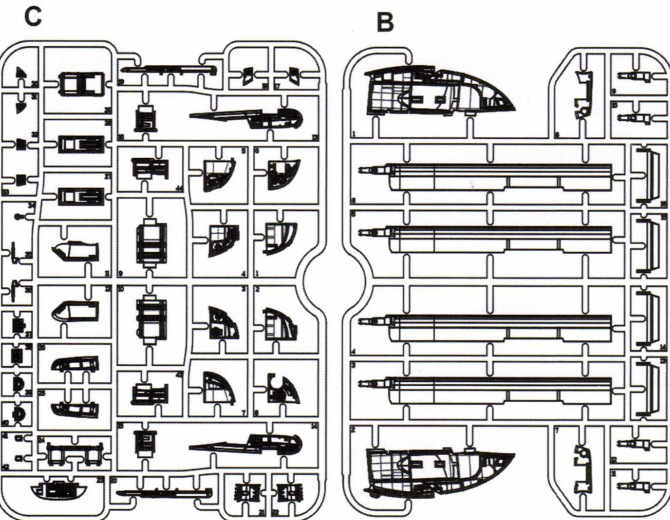
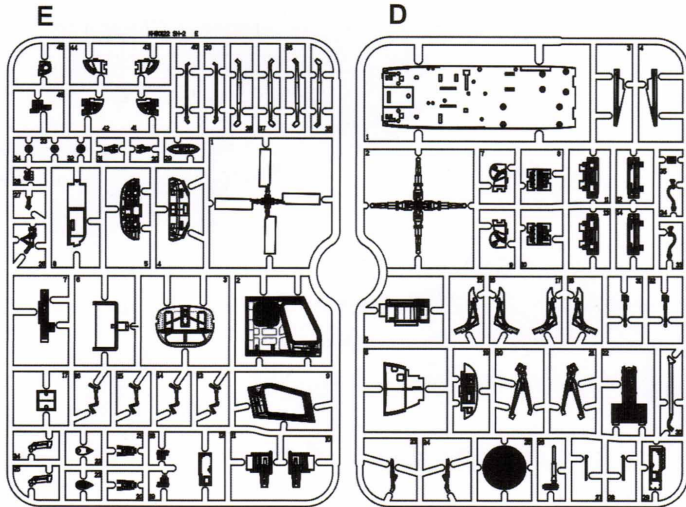
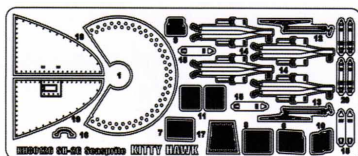
GP

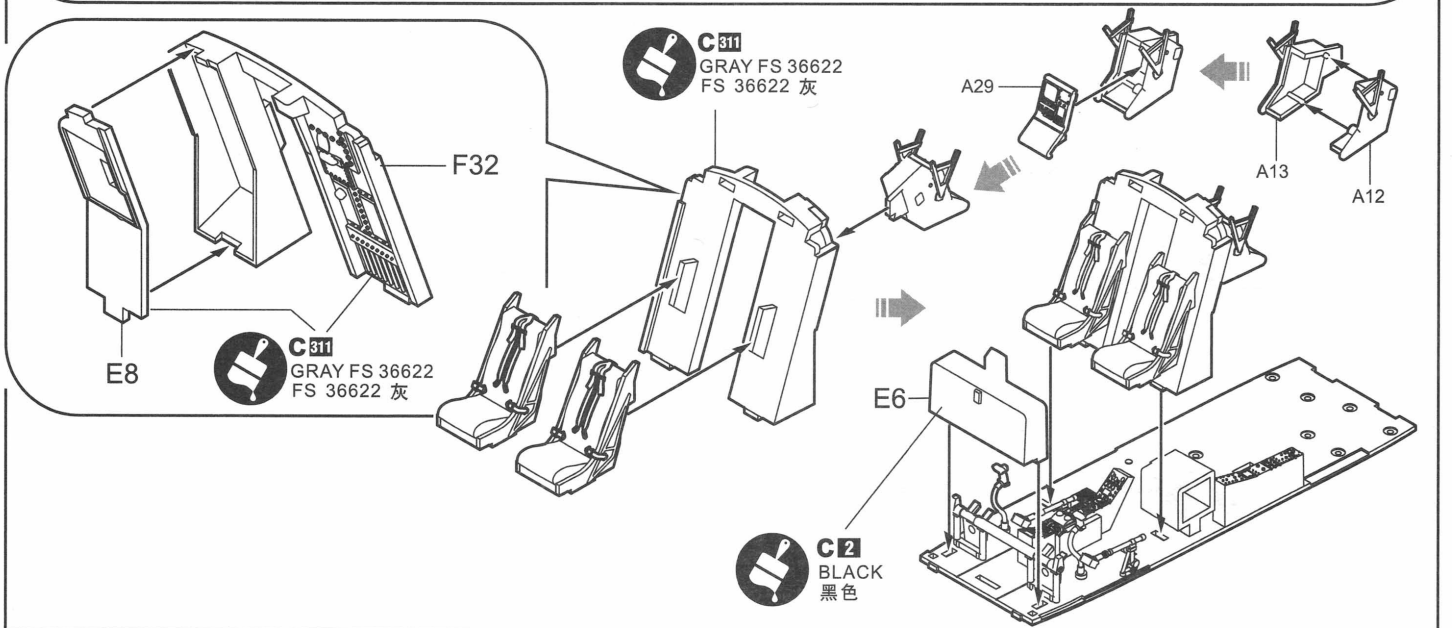
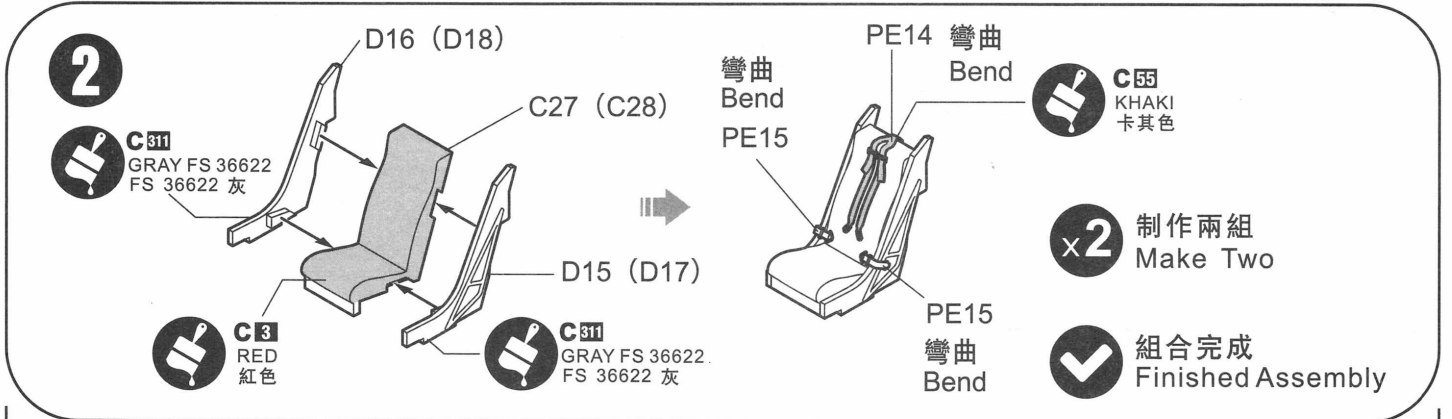
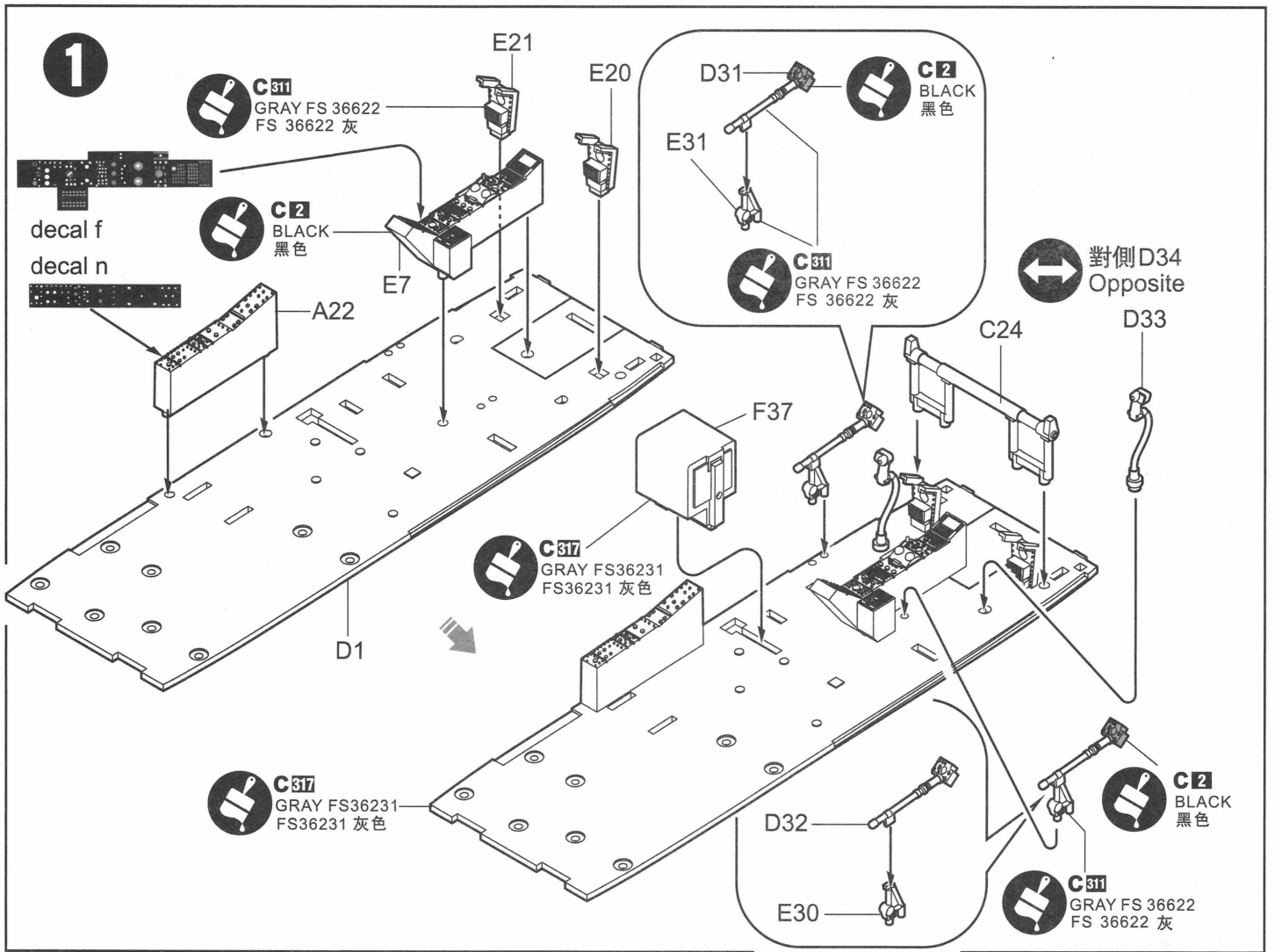


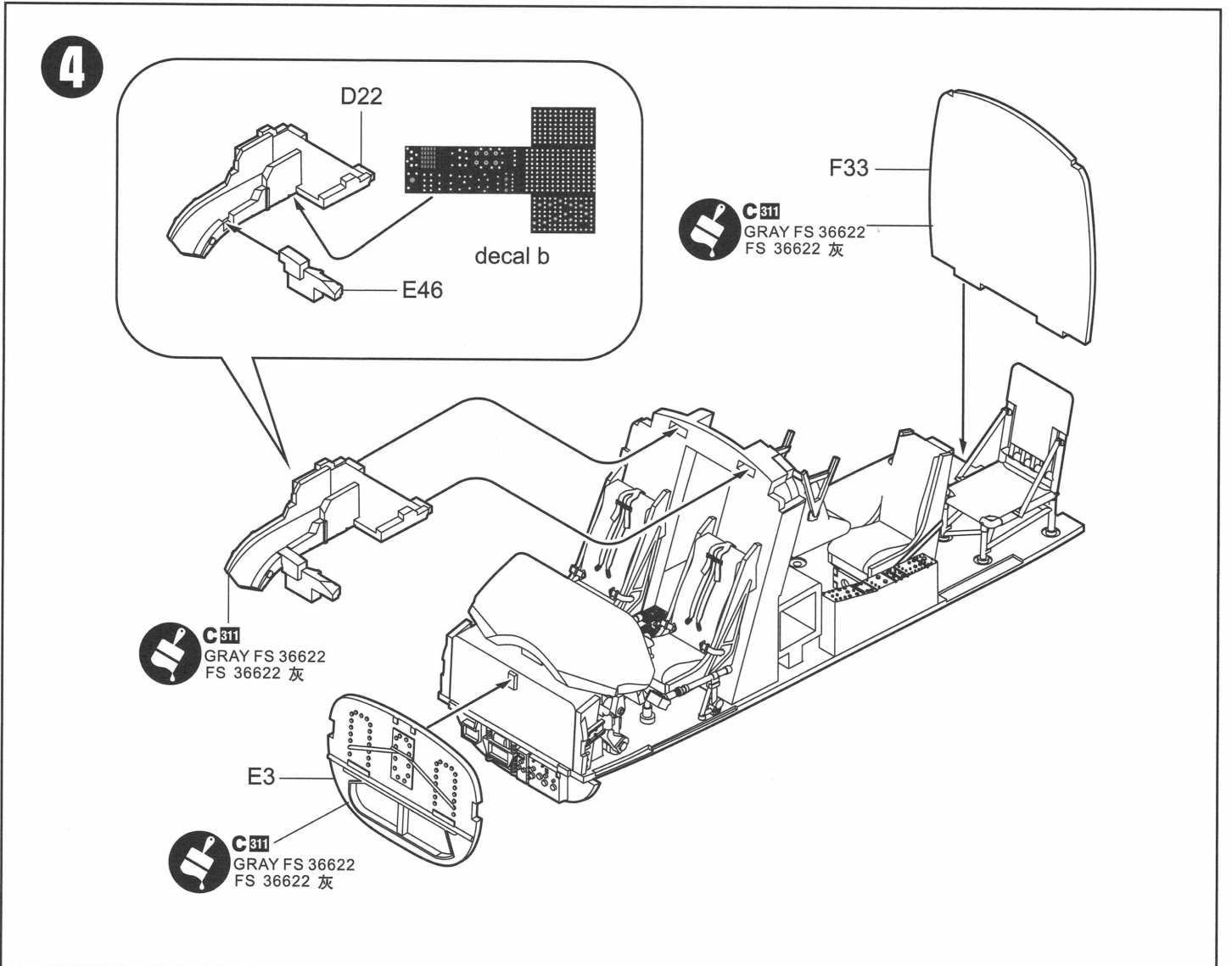
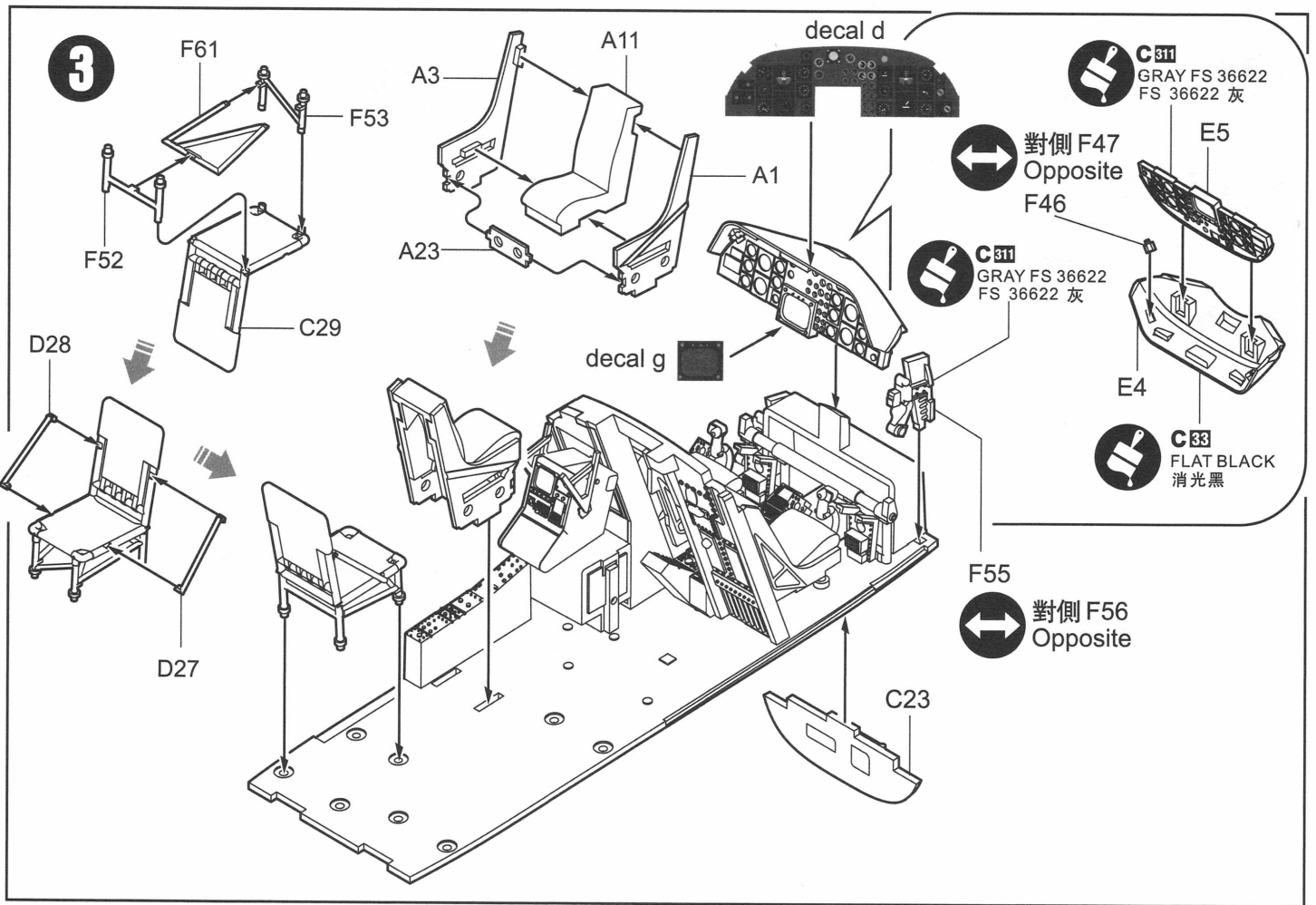
DECAL



PE







5

Right side fuselage
《右機身》

E41

D10

F41

E43

GP14

GP9



GRAY FS 36622
FS 36622 灰



GRAY FS 36622
FS 36622 灰



GRAY FS 36622
FS 36622 灰

Left side fuselage
《左機身》

GP8

E42

D8

E44

F42



GRAY FS 36622
FS 36622 灰



GP7

A6

A8

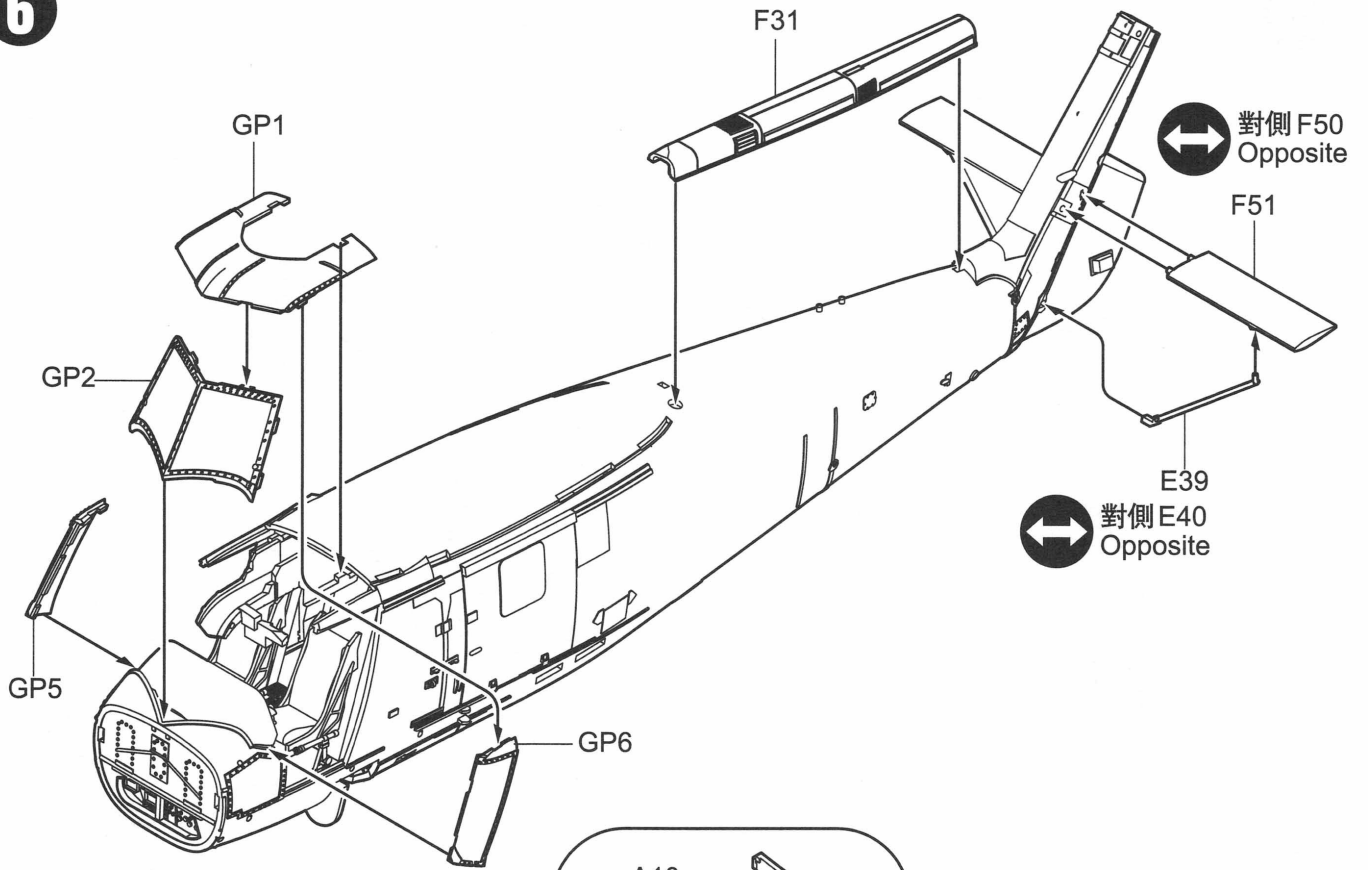


隨愛好選擇
Optional

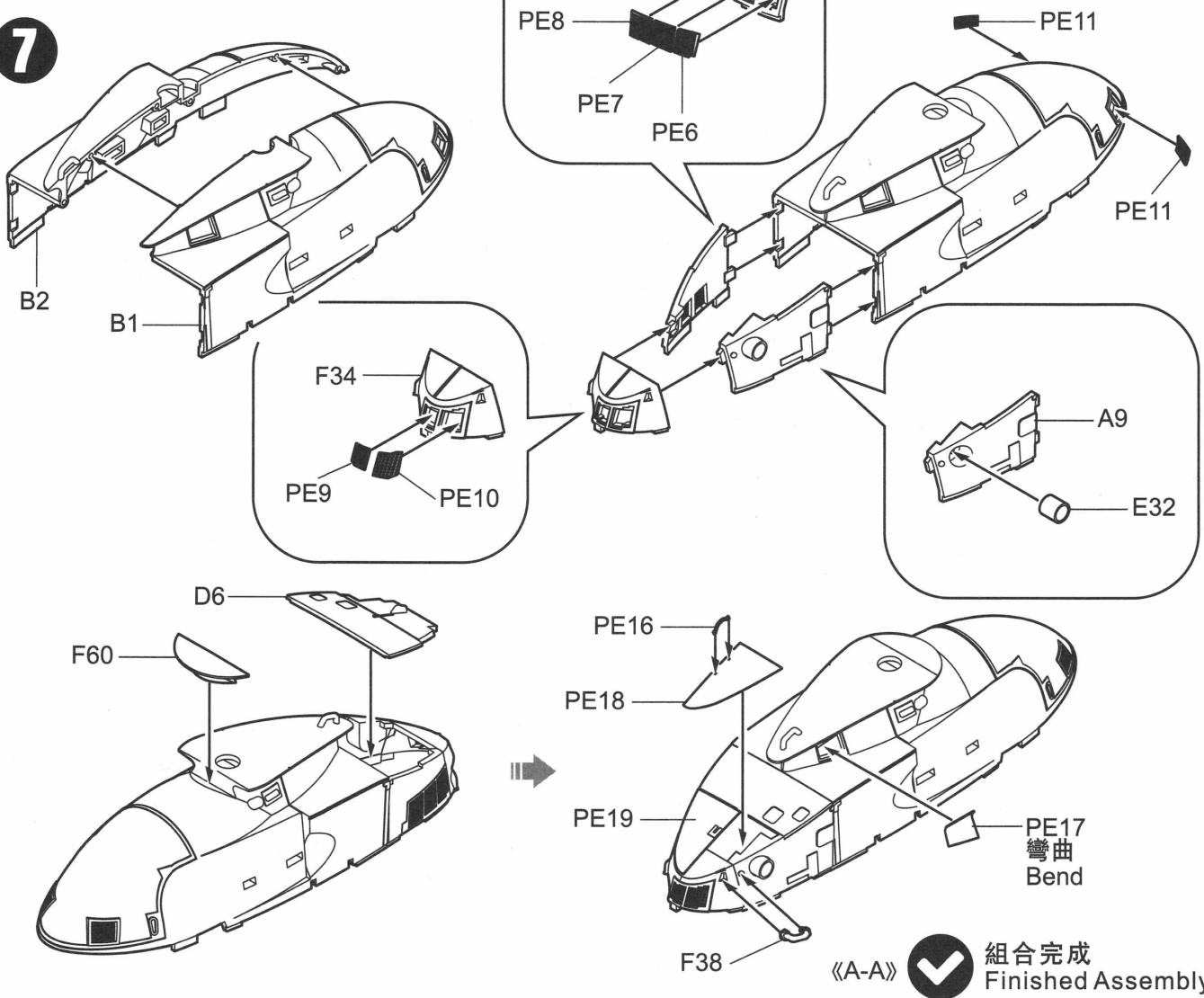
A5

GP11

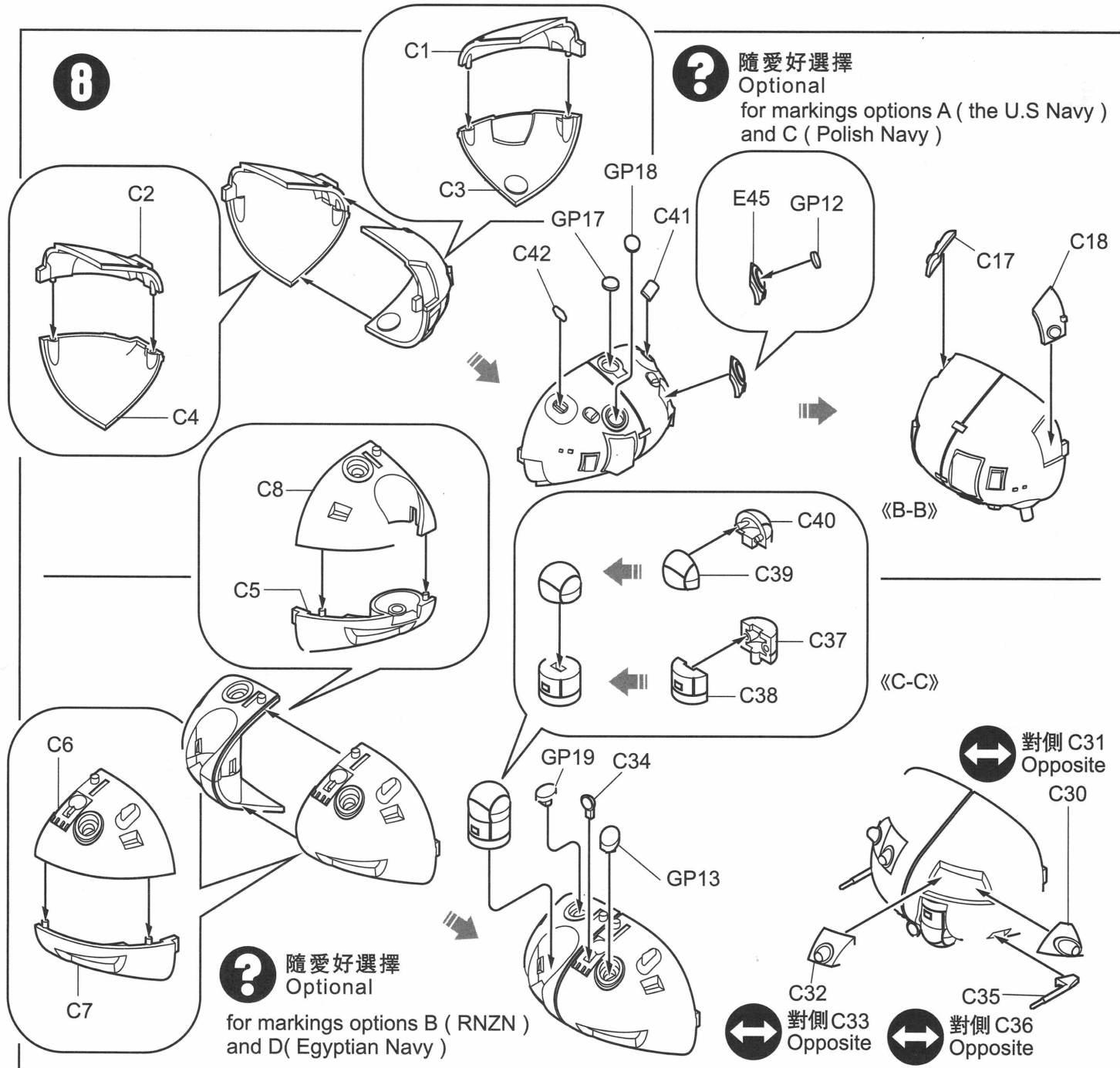
6



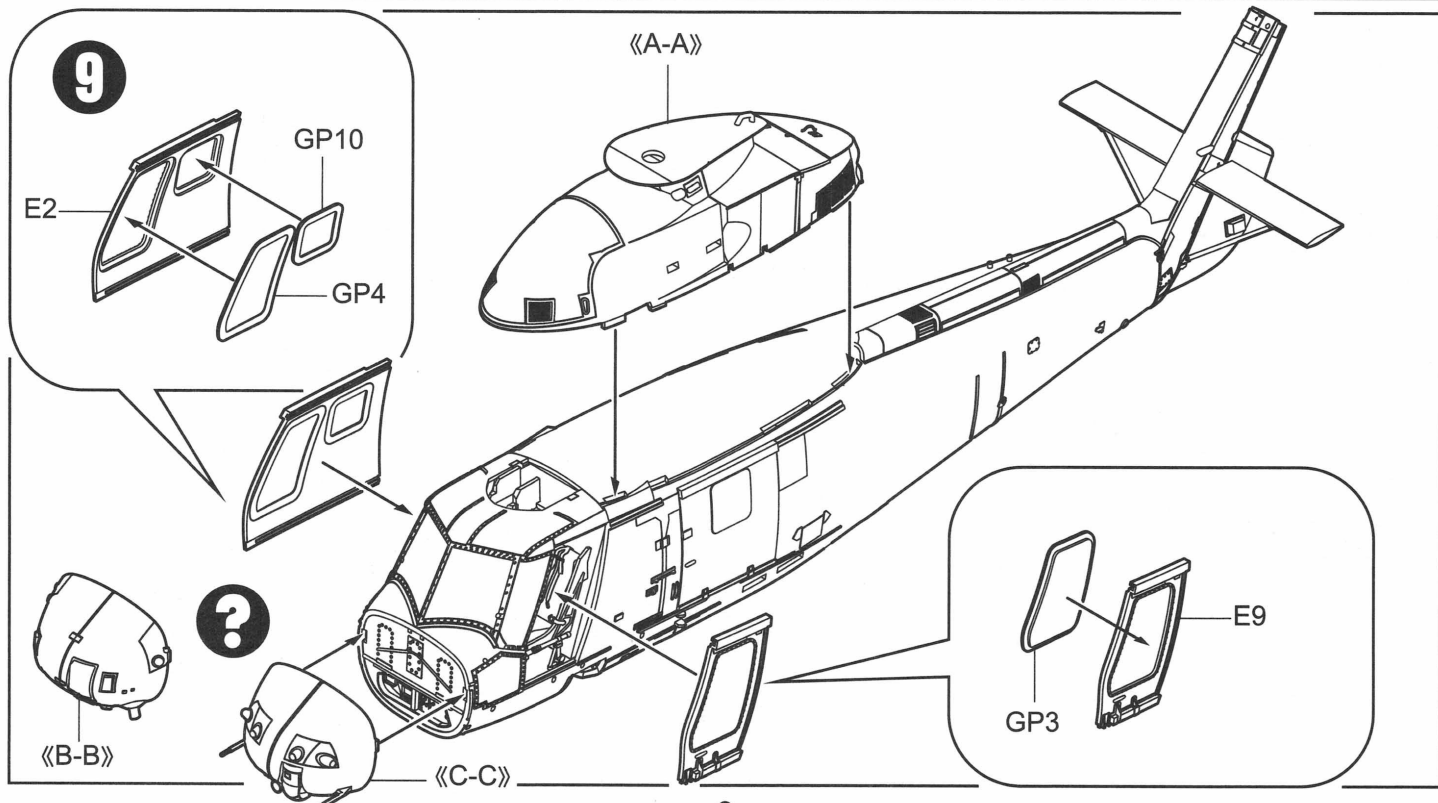
7



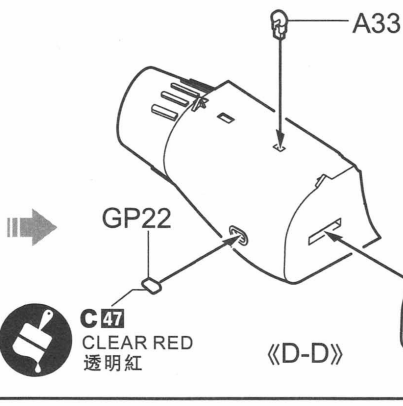
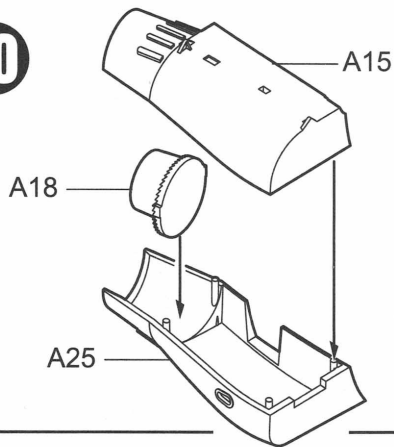
8



9

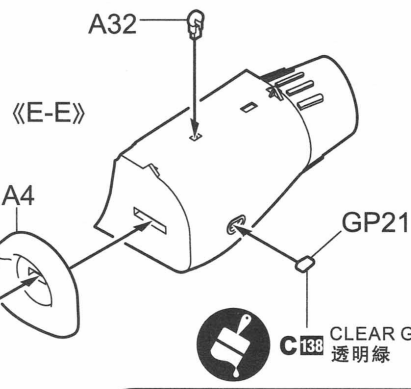
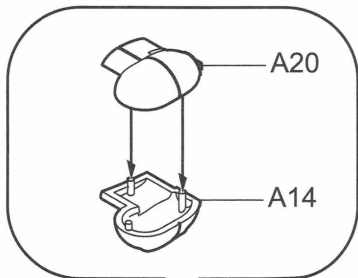
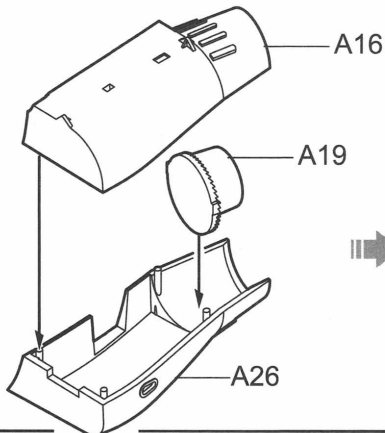
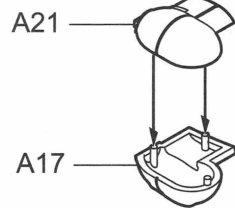


10



C17
CLEAR RED
透明紅

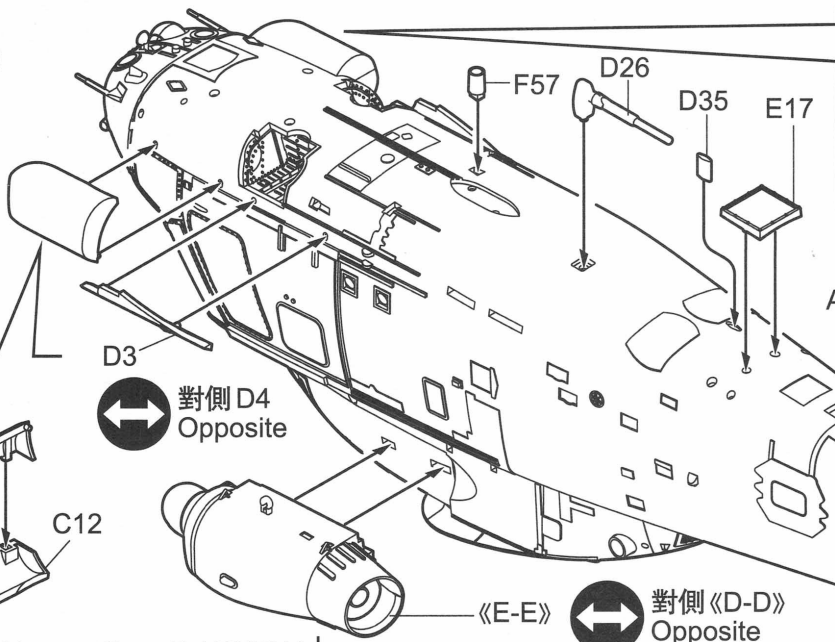
《D-D》



《E-E》

C18
CLEAR GREEN
透明綠

11



? 隨愛好選擇
Optional

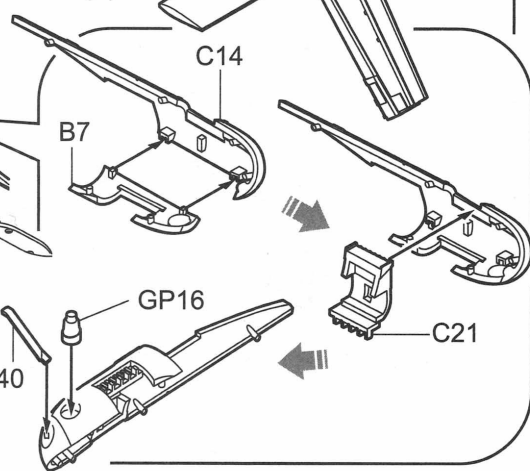
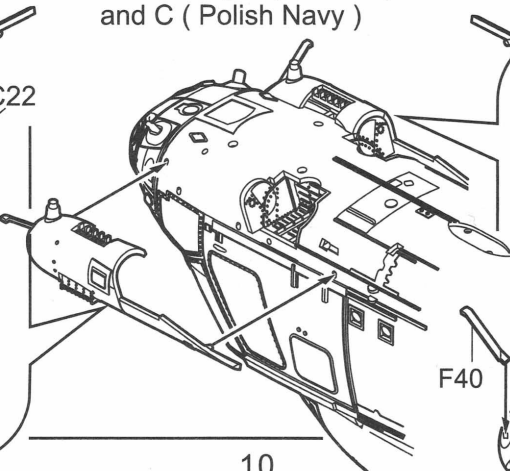
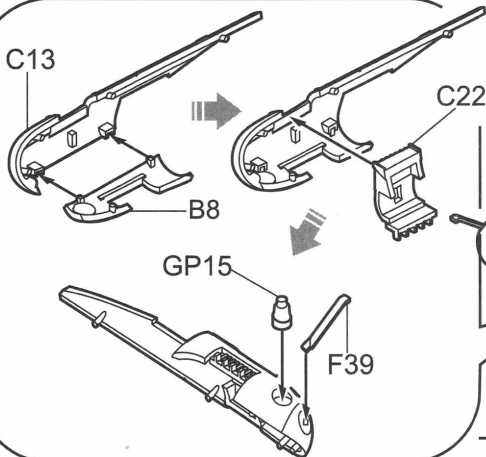
C11
for markings options B (RNZN)
and D(Egyptian Navy)

↔ 對側 D4
Opposite

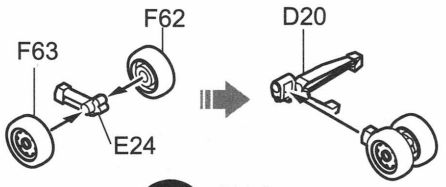
↔ 對側《D-D》
Opposite

for markings options B (RNZN)
and D(Egyptian Navy)

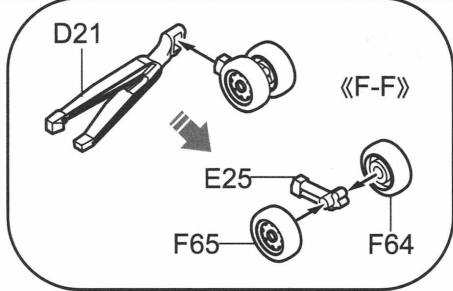
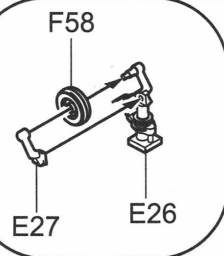
? 隨愛好選擇
Optional
for markings options A (the U.S Navy)
and C (Polish Navy)



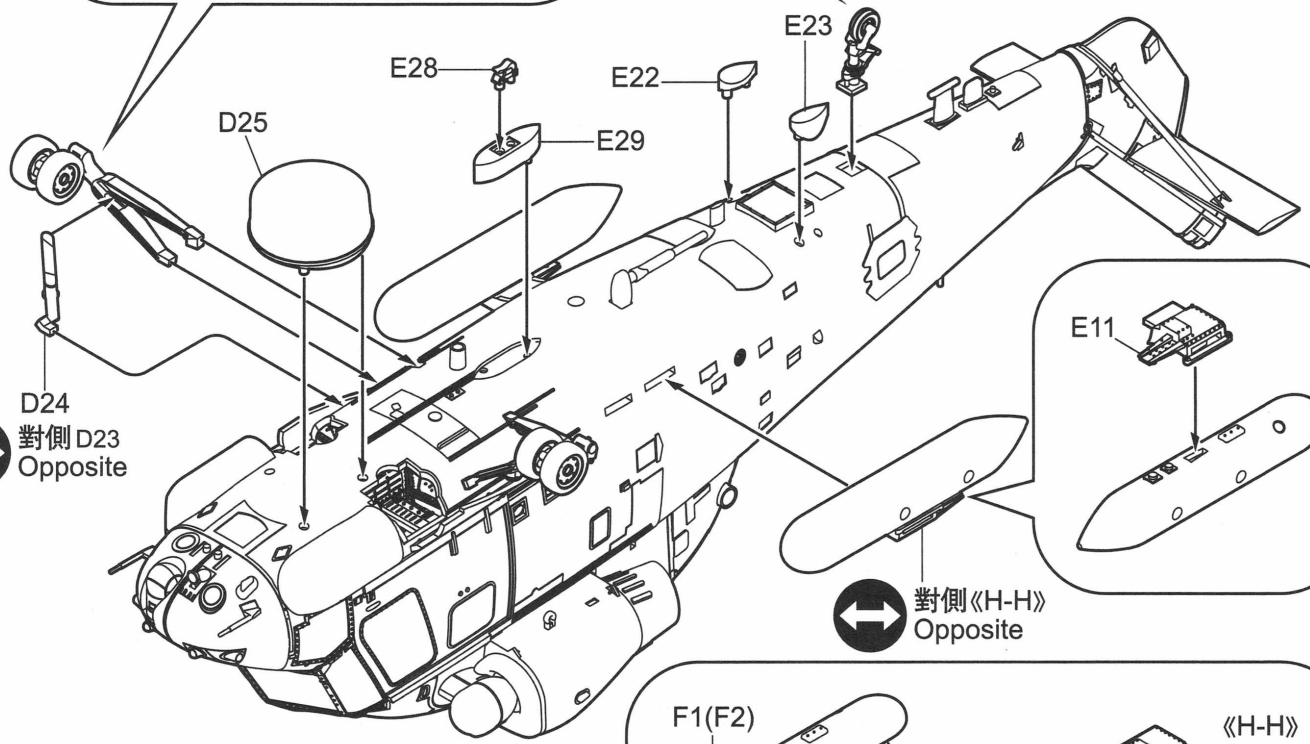
12



對側《F-F》
Opposite

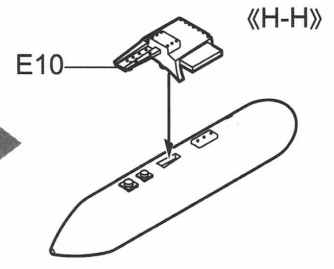
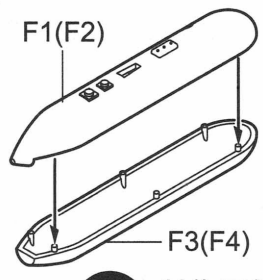


《F-F》



對側 D23
Opposite

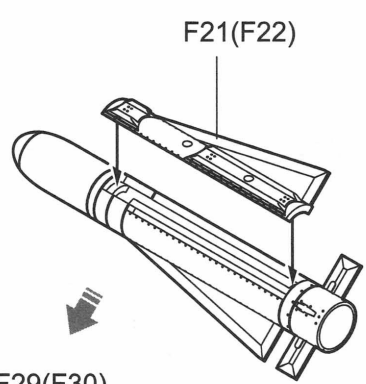
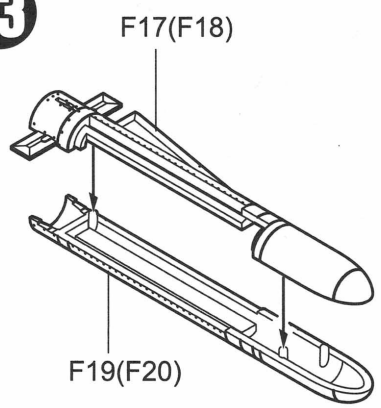
對側《H-H》
Opposite



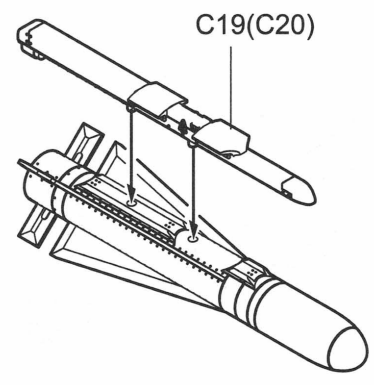
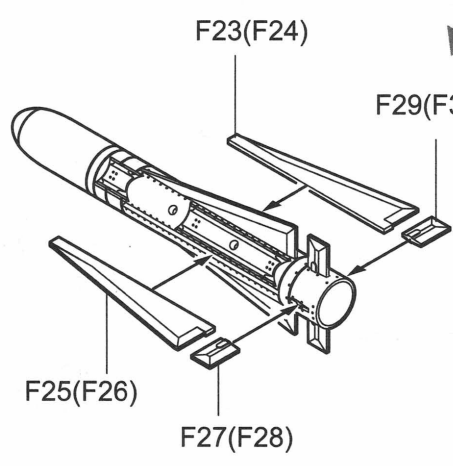
《H-H》

×2 制作兩組
Make Two

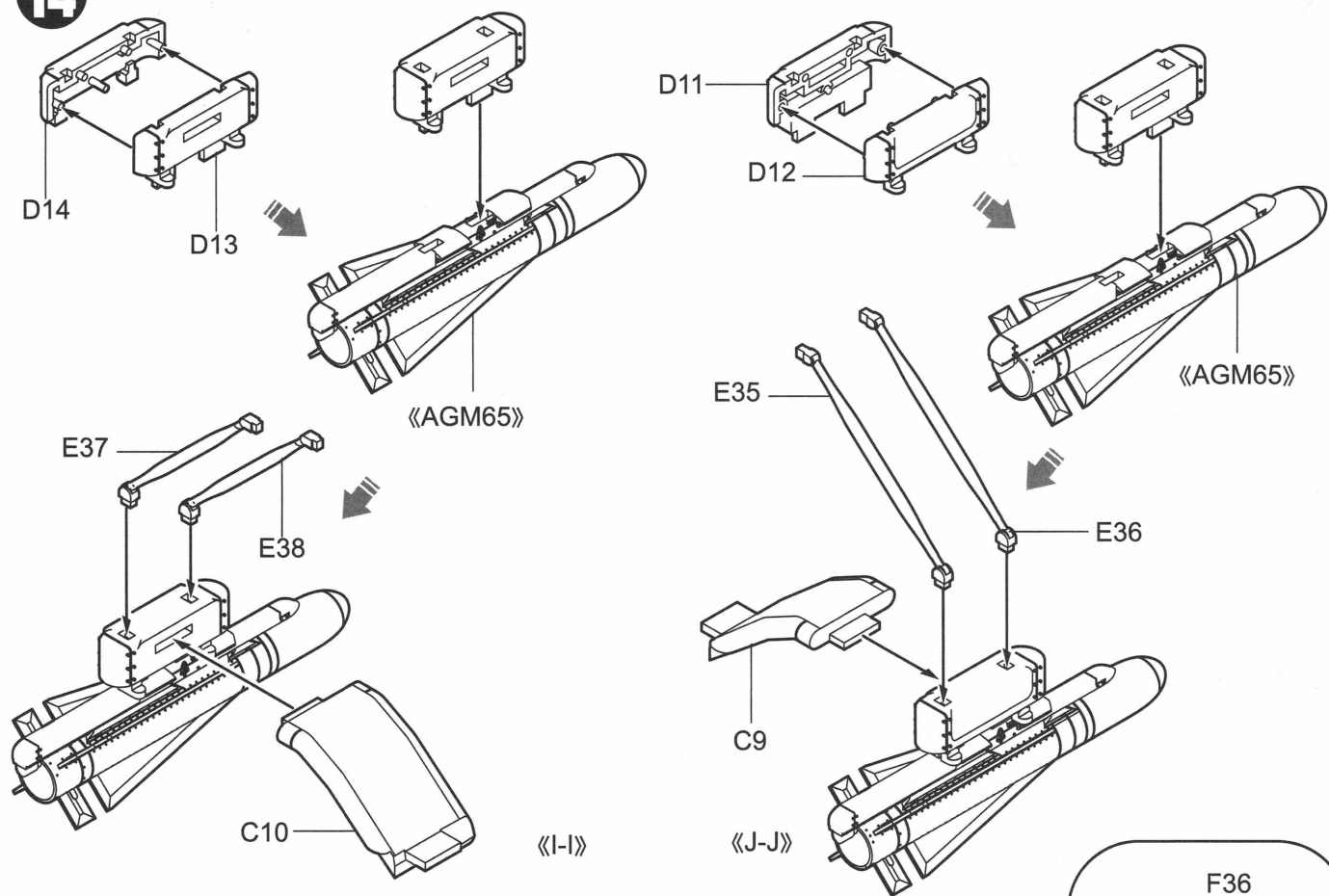
13



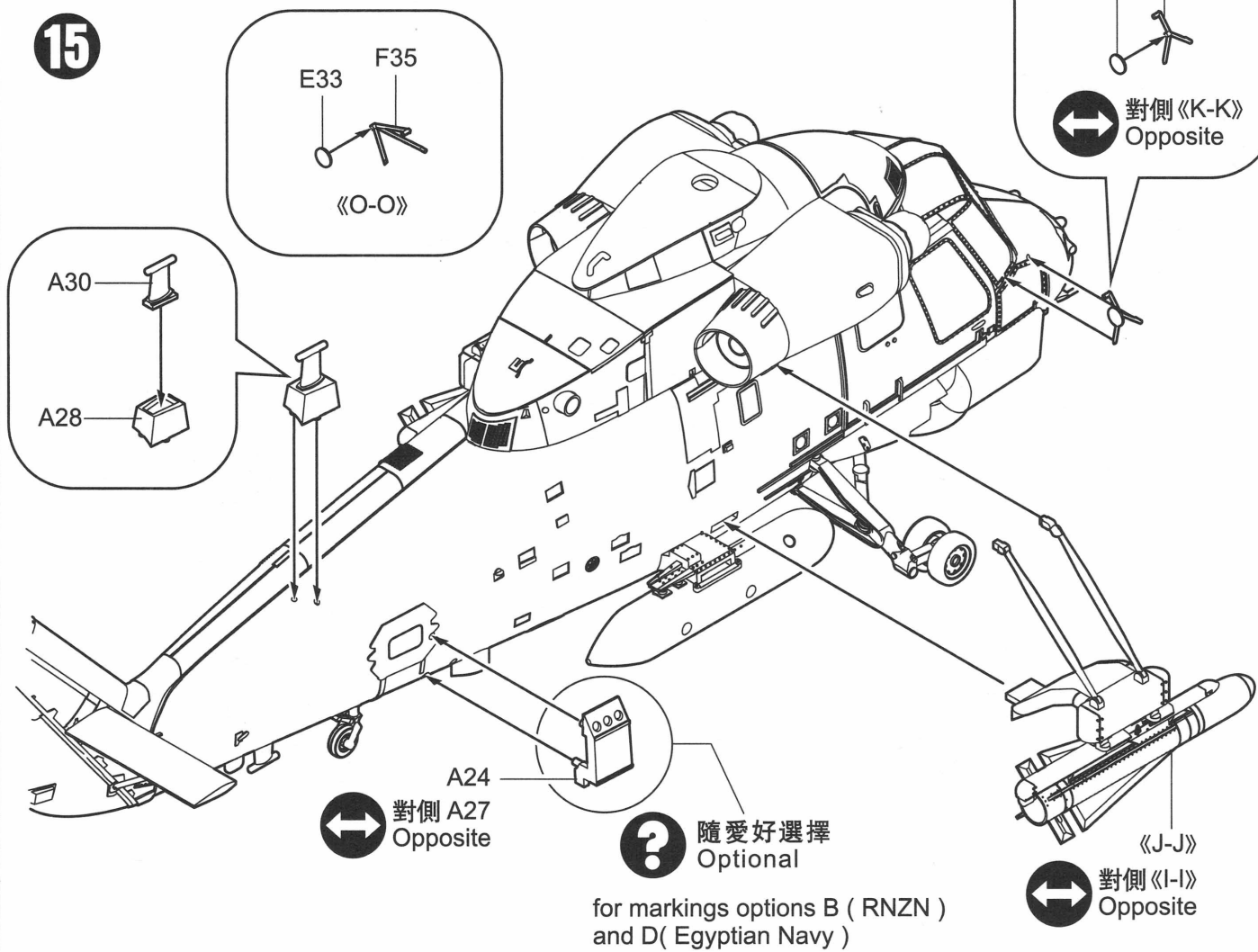
《AGM65》
×2 制作兩組
Make Two



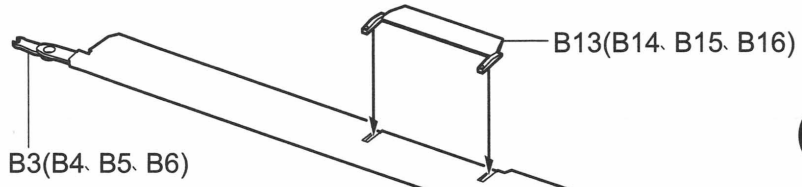
14



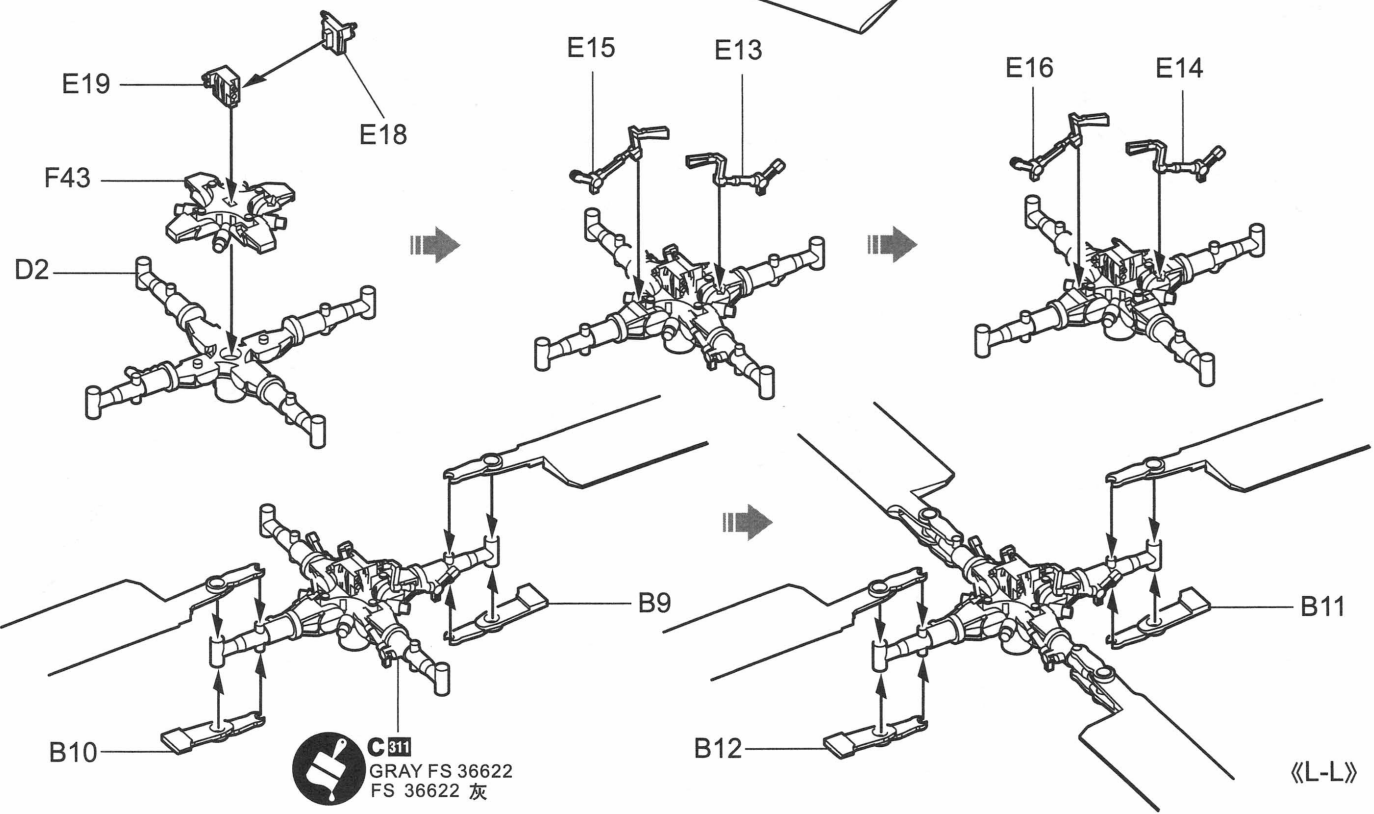
15



16



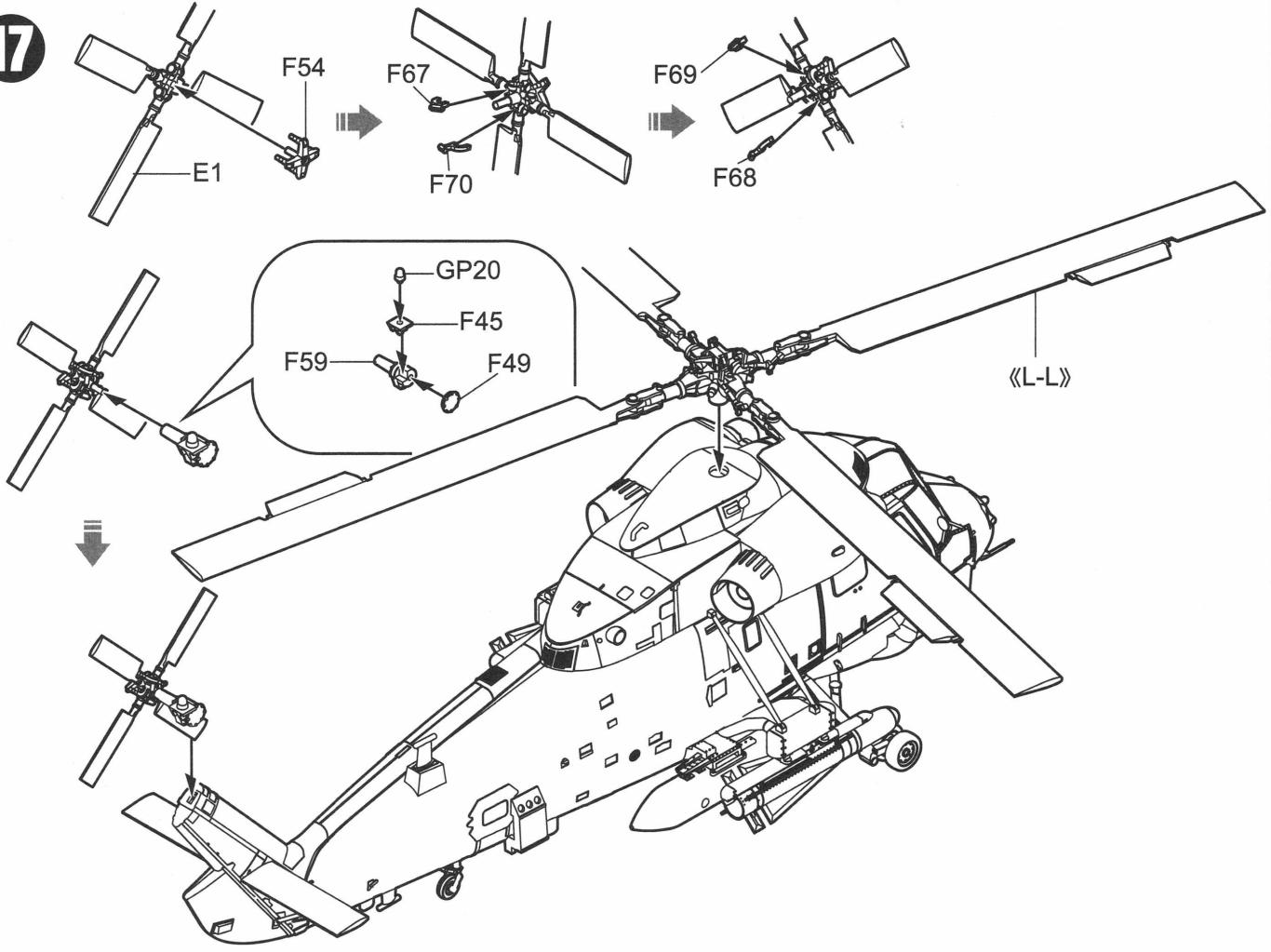
x4 制作四組
Make Four



C311
GRAY FS 36622
FS 36622 灰

《L-L》

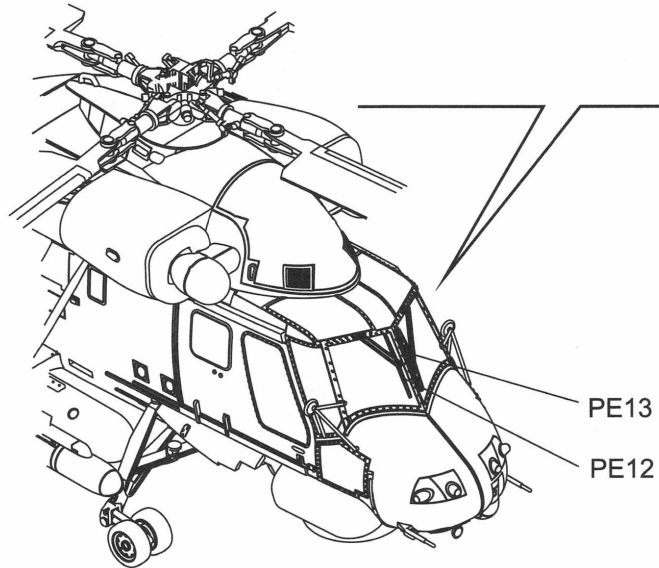
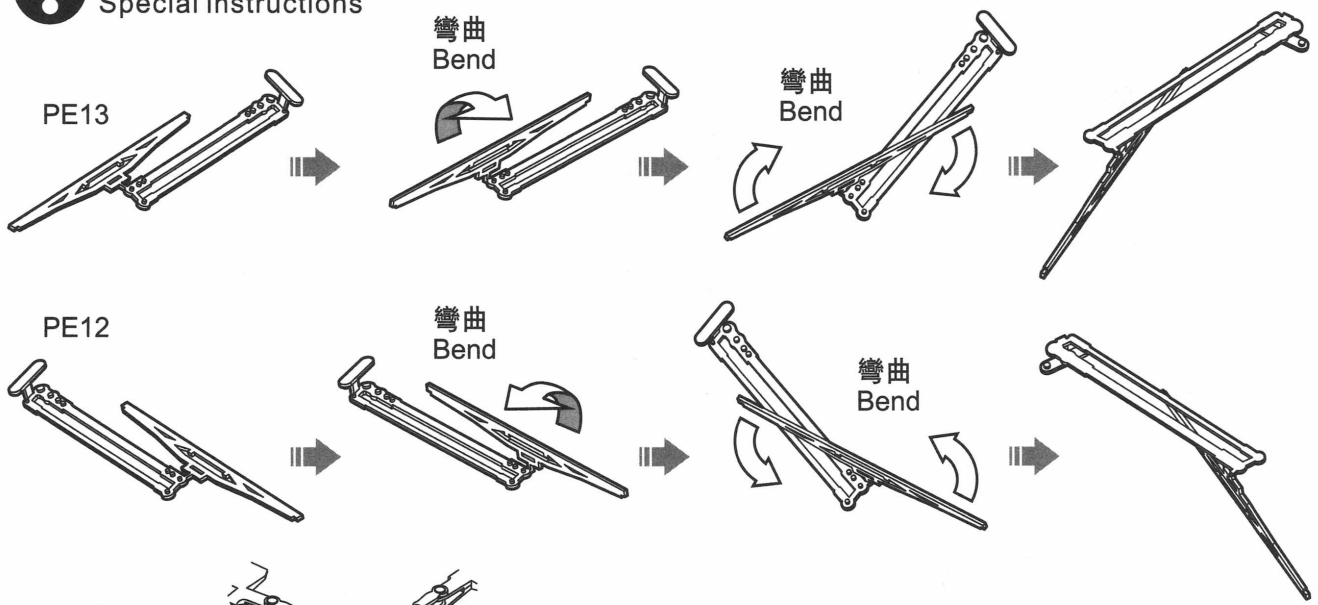
17



《L-L》

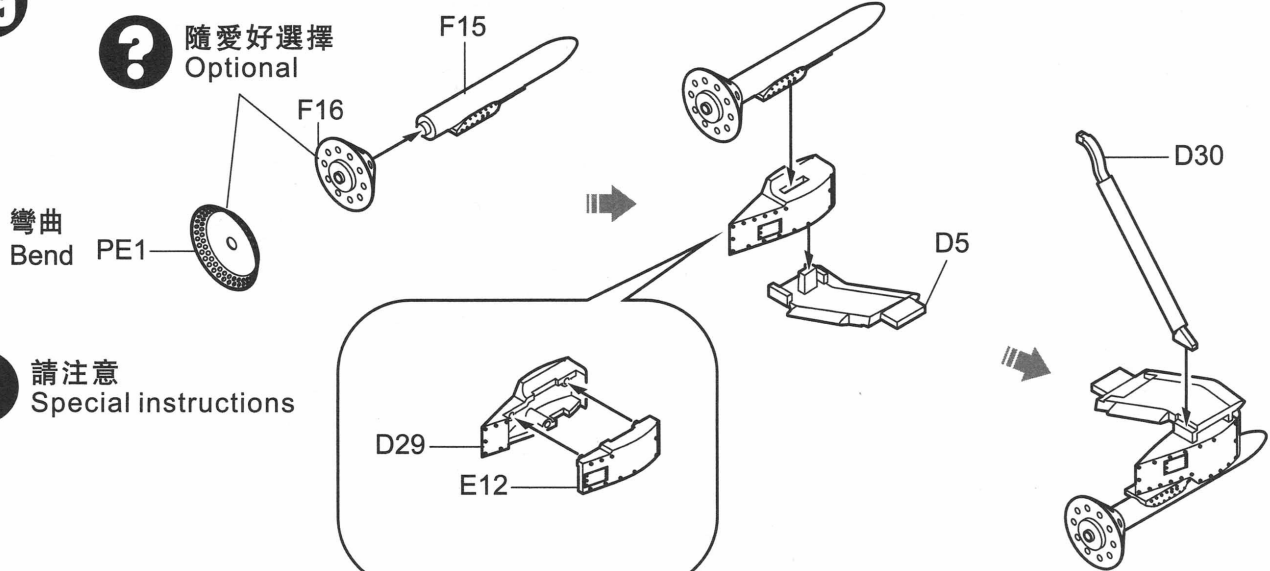
18

! 請注意
Special instructions



19

? 隨愛好選擇
Optional



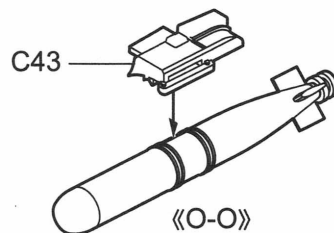
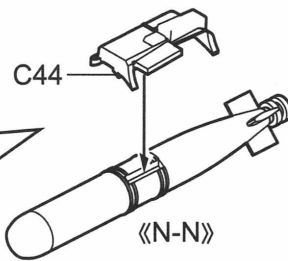
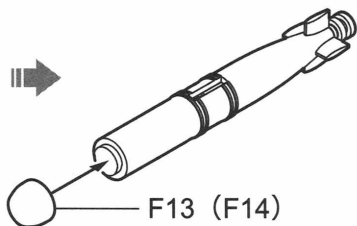
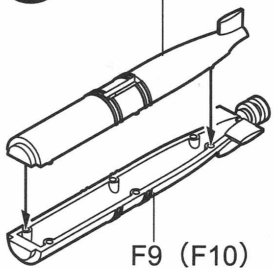
! 請注意
Special instructions

《M-M》

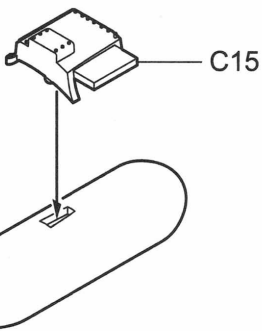
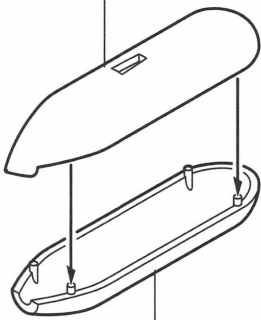
20

F11 (F12)

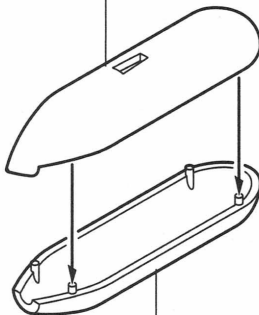
x2 制作兩組
Make Two



F5



F6

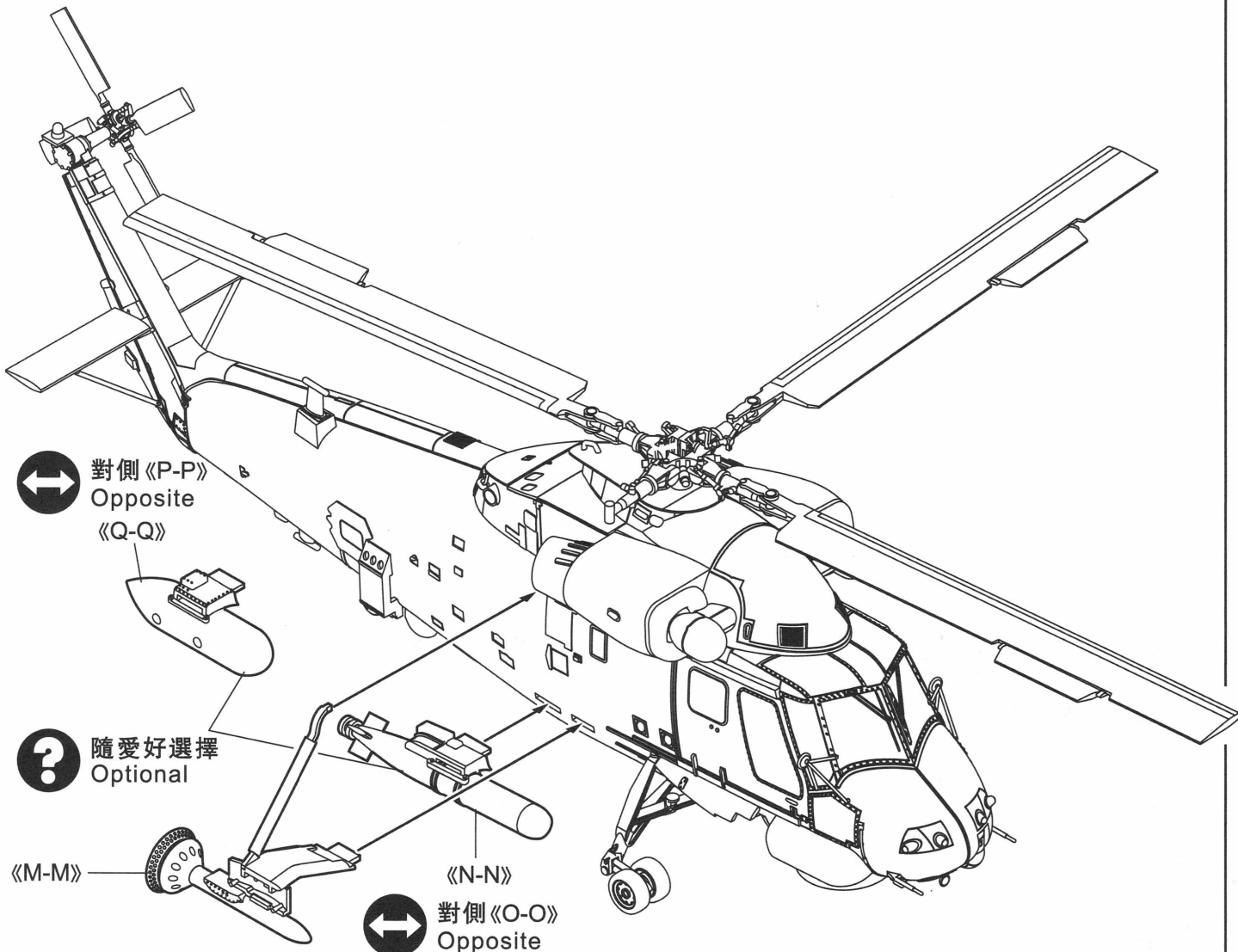


F7

$\langle\langle P-P \rangle\rangle$

F8

$\langle\langle Q-Q \rangle\rangle$



對側 $\langle\langle P-P \rangle\rangle$
Opposite
$\langle\langle Q-Q \rangle\rangle$

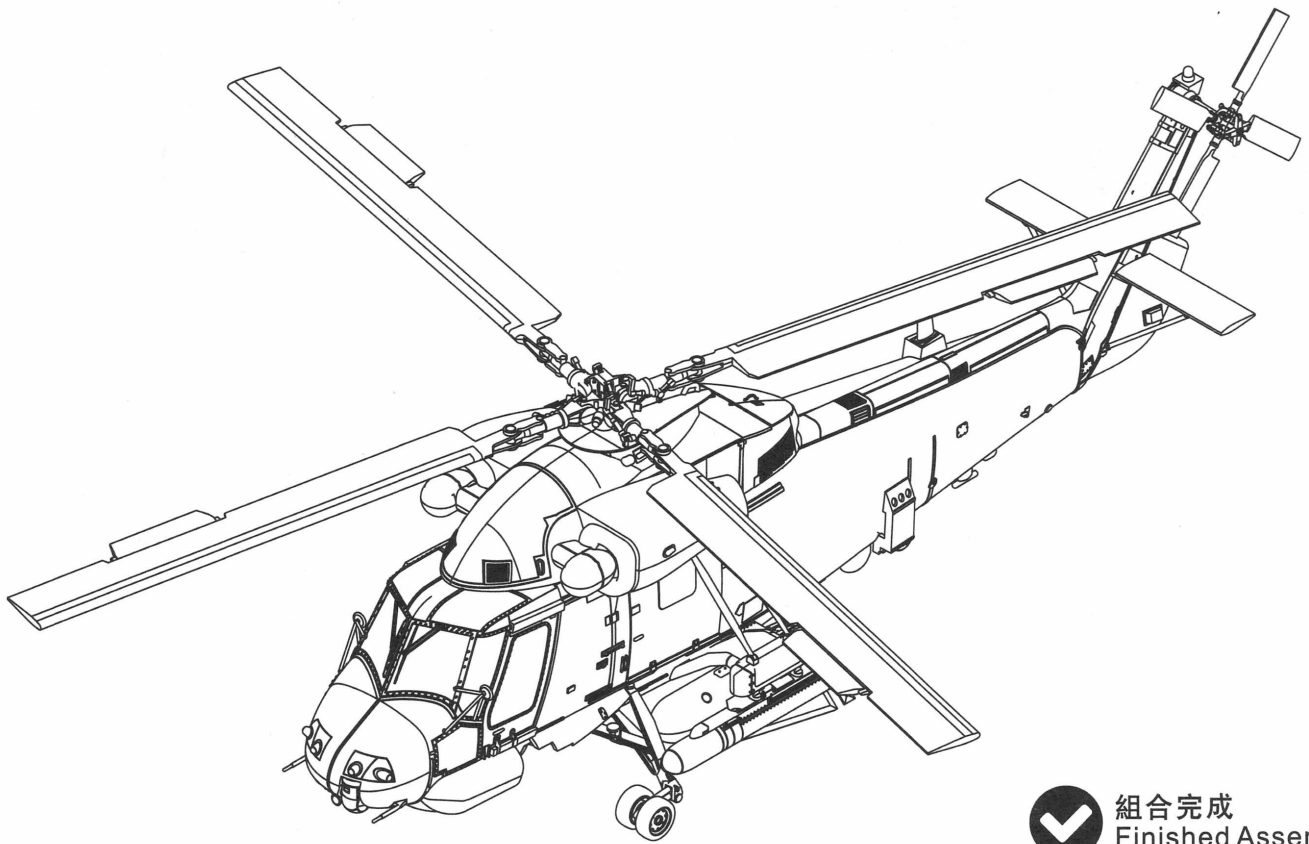


隨愛好選擇
Optional

$\langle\langle M-M \rangle\rangle$

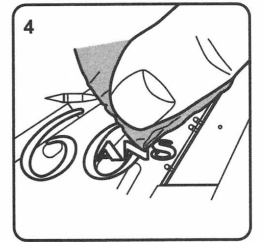
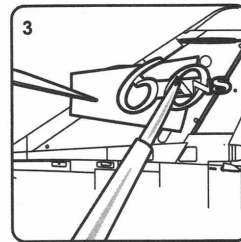
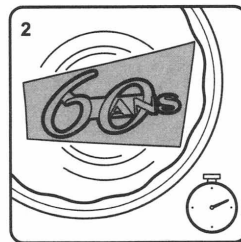
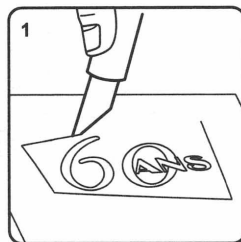


$\langle\langle N-N \rangle\rangle$
對側 $\langle\langle O-O \rangle\rangle$
Opposite




 組合完成
 Finished Assembly

DECAL APPLICATION



1. Cut off decal from transfer sheet.
2. Dip the decal in water for about 10 seconds (may take more seconds if in low temperature), and place on a clean cloth.
3. Hold the backing paper edge and slide decal onto the model. Then move decal into position by wetting decal with brush or finger.
4. Press decal gently down with a soft cloth until excess water and air bubbles are gone.



Copy Right 2015, Kitty Hawk. All Rights Reserved.

PRINTED IN CHINA

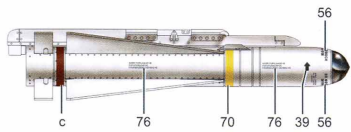
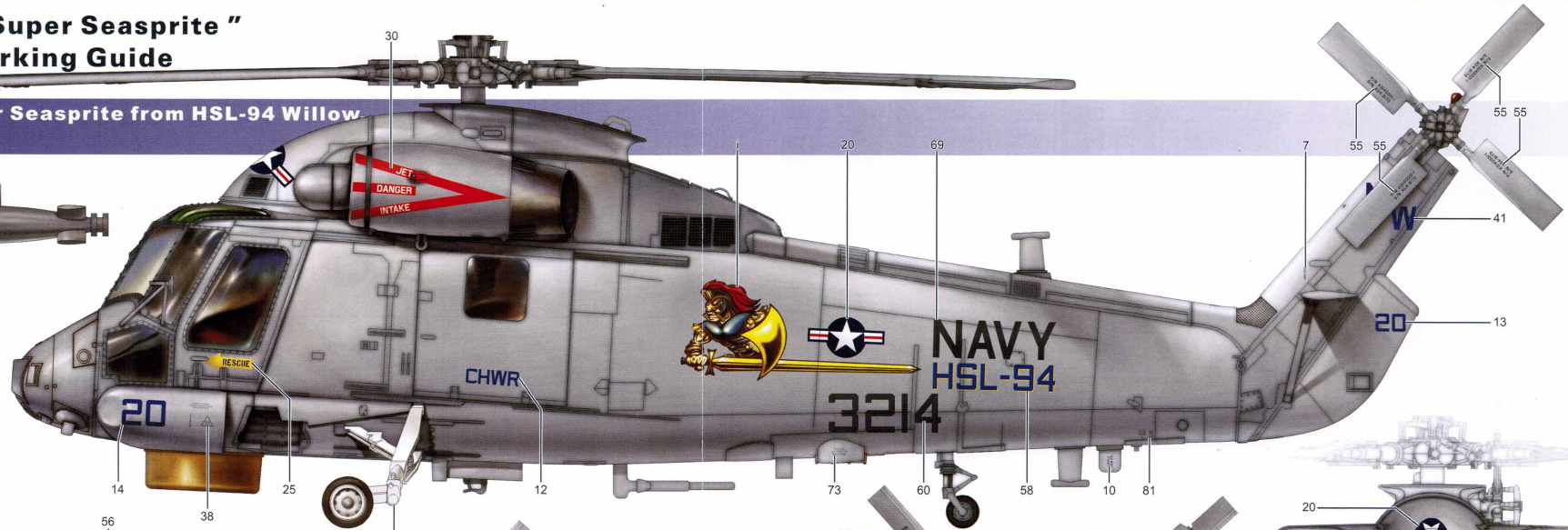
1:48 SH-2G "Super Seasprite" Painting & marking Guide

塗裝與水貼

A. U.S. Navy, Super Seasprite from HSL-94 Willow



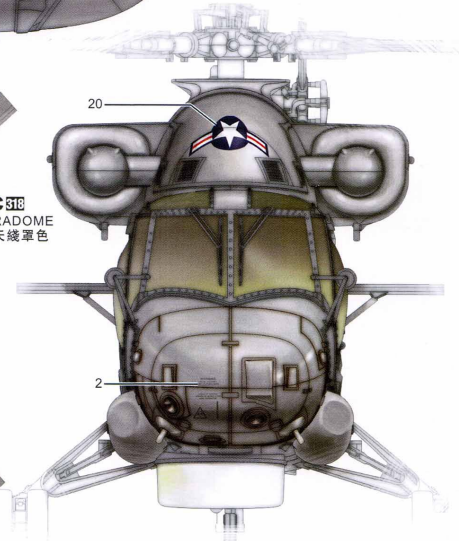
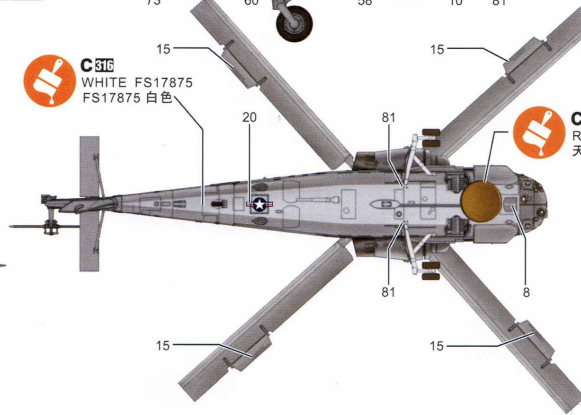
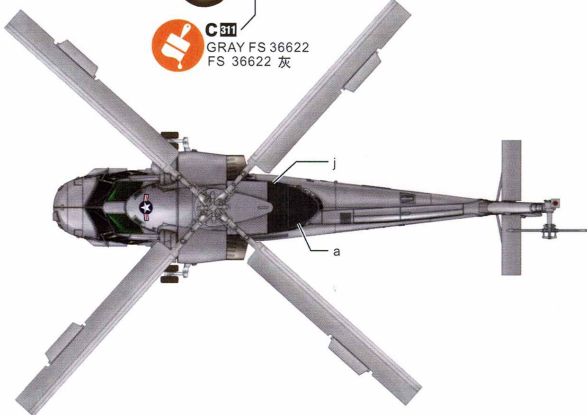
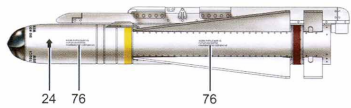
C 51
BURNT IRON
燒鐵色



C 311
GRAY FS 36622
FS 36622 灰

C 316
WHITE FS17875
FS17875 白色

C 316
RADOME
天線罩色



C 337
GRAYISH BLUE FS35237
FS35237 灰藍色

C 3 YELLOW
黃色

C 3 RED
紅色

C 337
GRAYISH BLUE FS35237
FS35237 灰藍色

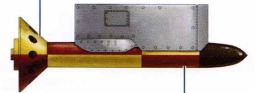
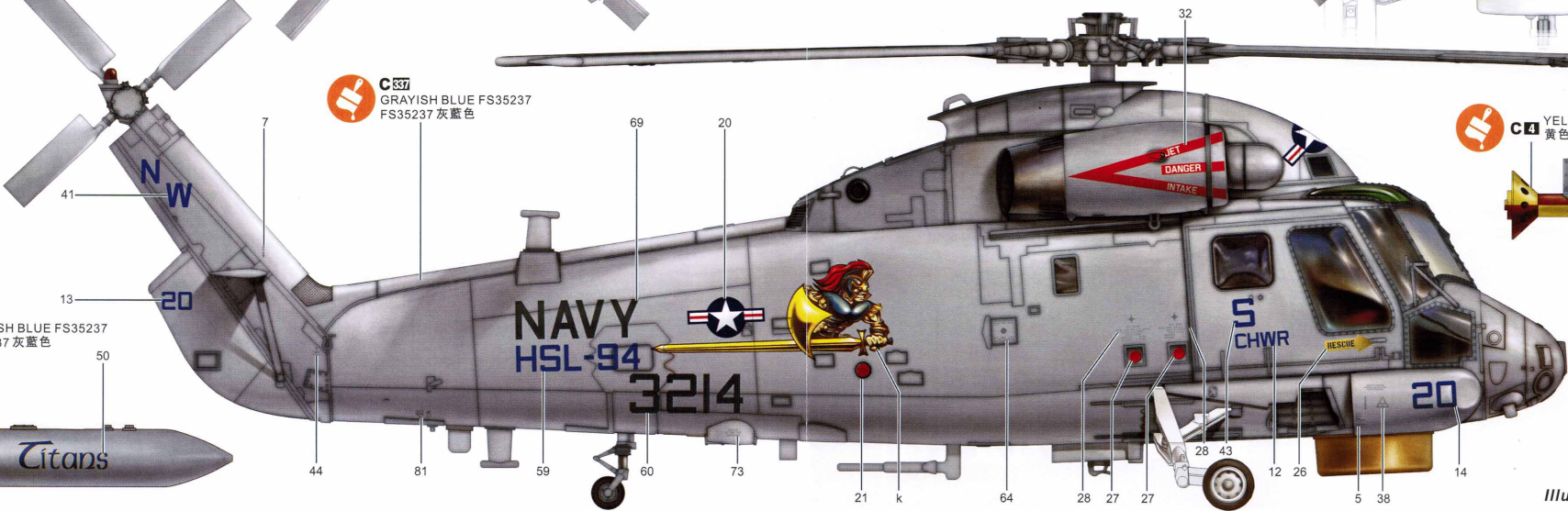


Illustration by Chen JiaLi
GUNZE SANGYO Mr. color used

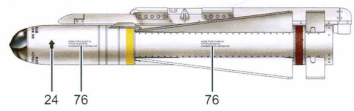
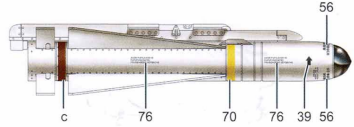
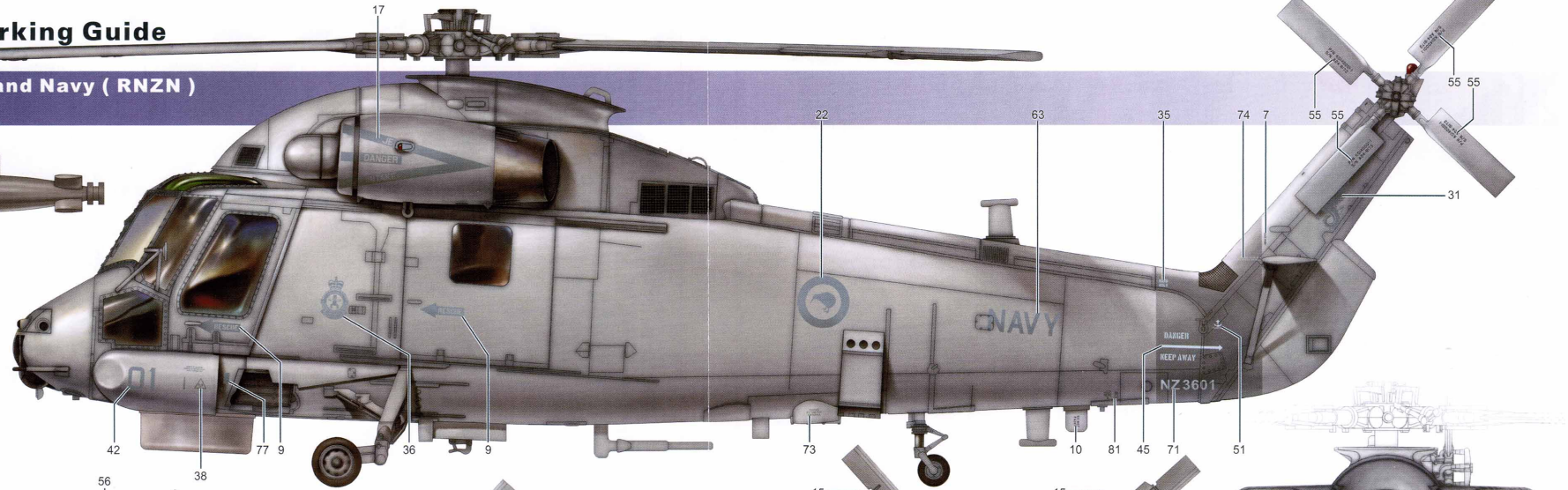
Painting & marking Guide

塗裝與水貼

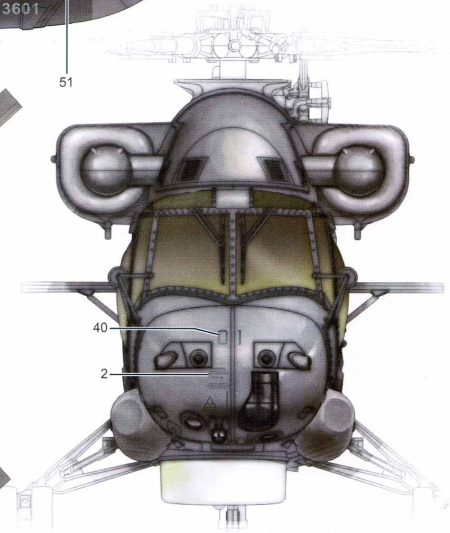
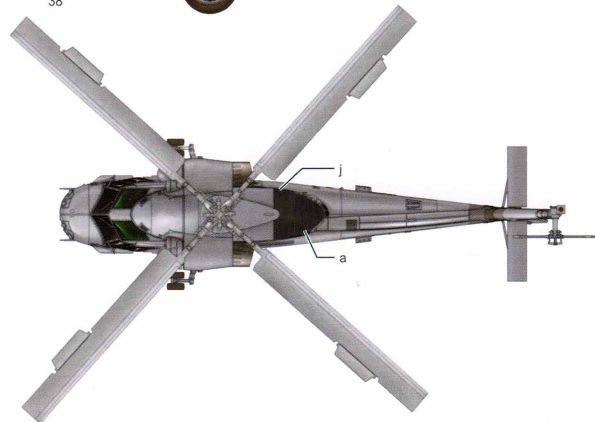
B. Royal New Zealand Navy (RNZN)



C01
BURNT IRON
燒鐵色

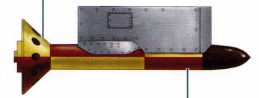


C05
WHITE FS17875
FS17875 白色



C07
GRAY FS 36320
FS 36320 灰

C04
YELLOW
黄色



C03
RED
紅色

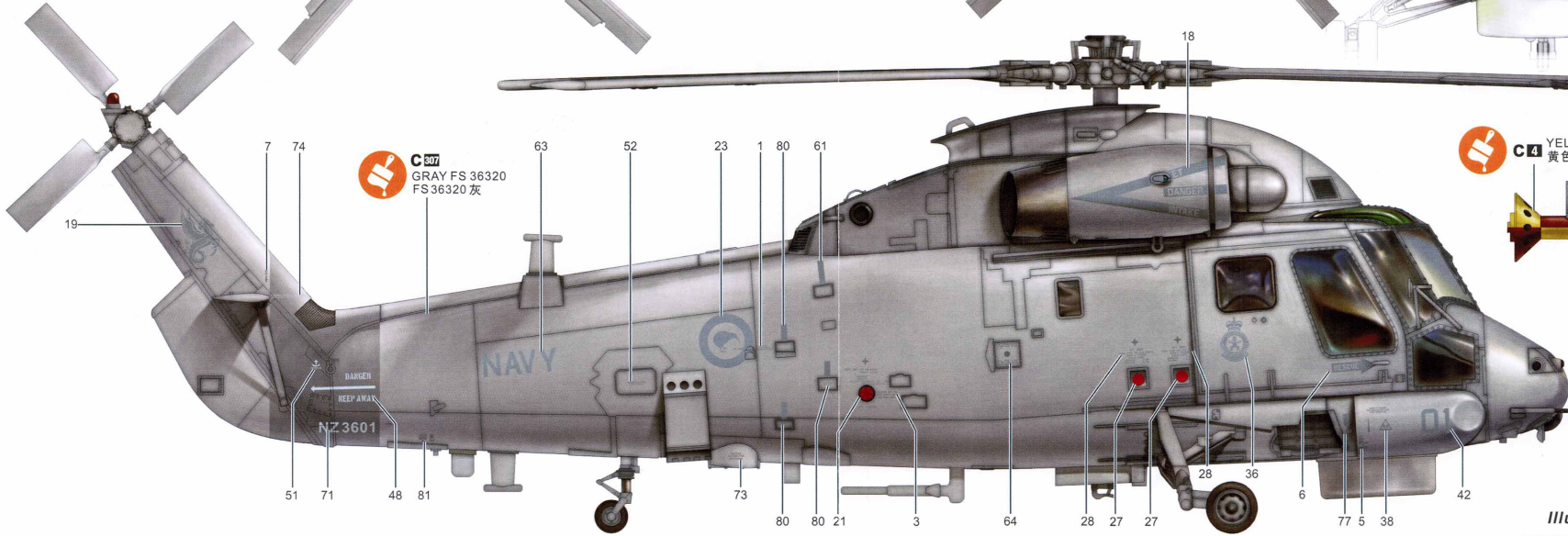


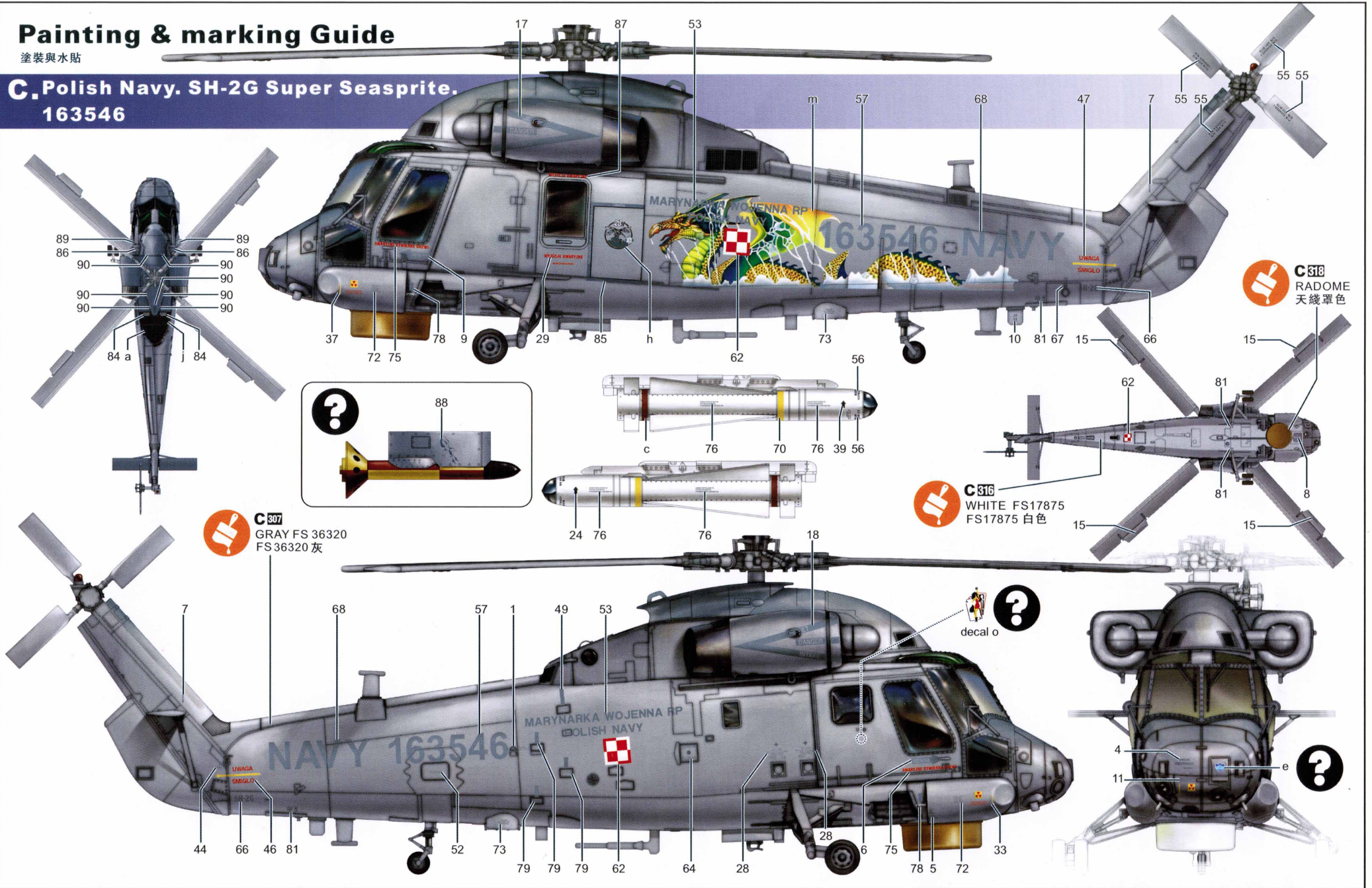
Illustration by Chen JiaLi
GUNZE SANGYO Mr. color used

Painting & marking Guide

塗裝與水貼

C. Polish Navy. SH-2G Super Seasprite. 163546

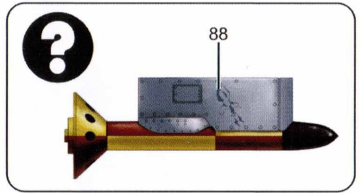
19



C 307
GRAY FS 36320
FS 36320 灰

C 316
WHITE FS 17875
FS 17875 白色

C 318
RADOME
天線罩色

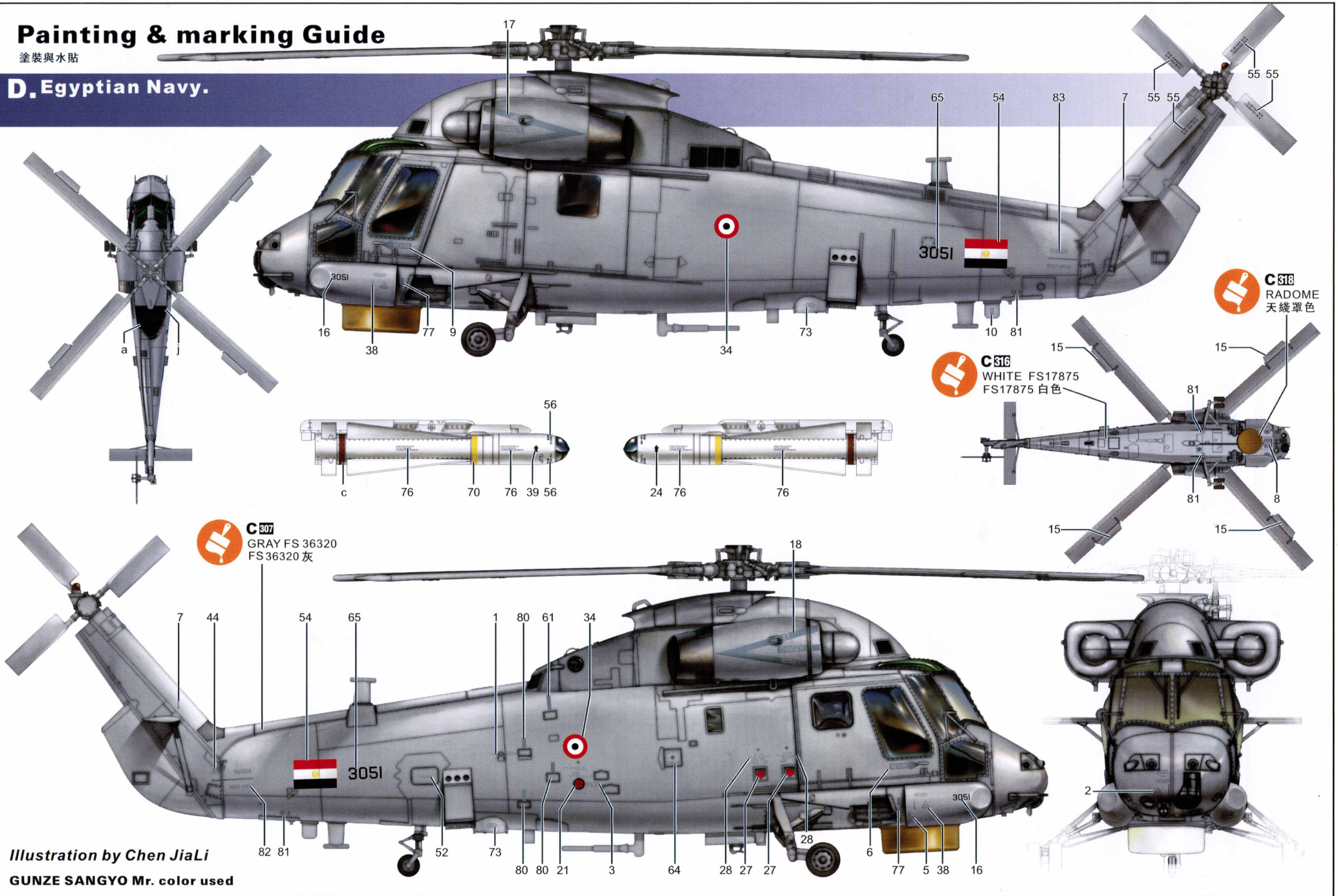


Painting & marking Guide

塗裝與水貼

D. Egyptian Navy.

20



C307
GRAY FS 36320
FS 36320 灰

C316
WHITE FS17875
FS17875 白色

C318
RADOME
天線罩色

Illustration by Chen JiaLi
GUNZE SANGYO Mr. color used