

HIMM®



MIIG-29

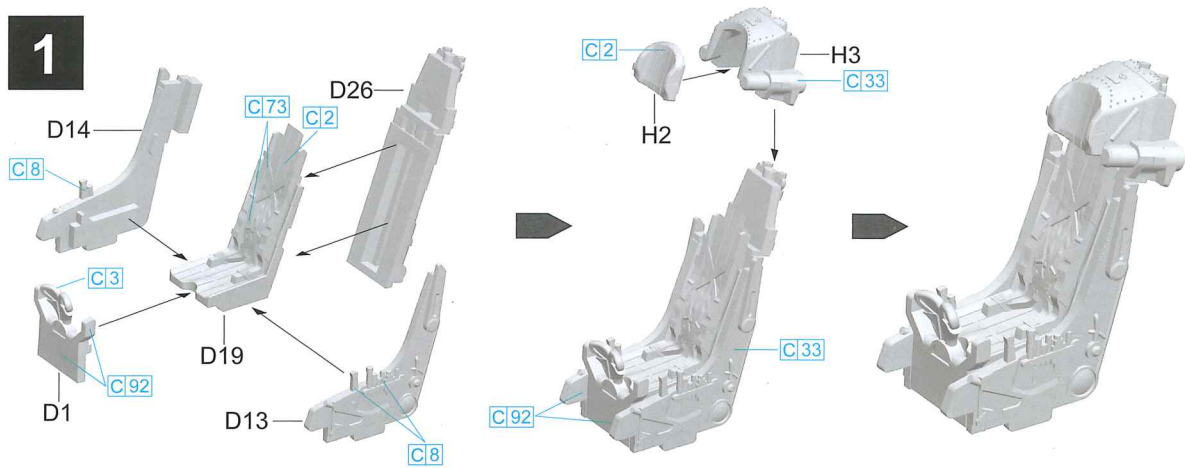
FULCRUM-A 9-12
LATE TYPE

米格-29“支点-A”战斗机和9-12后期型

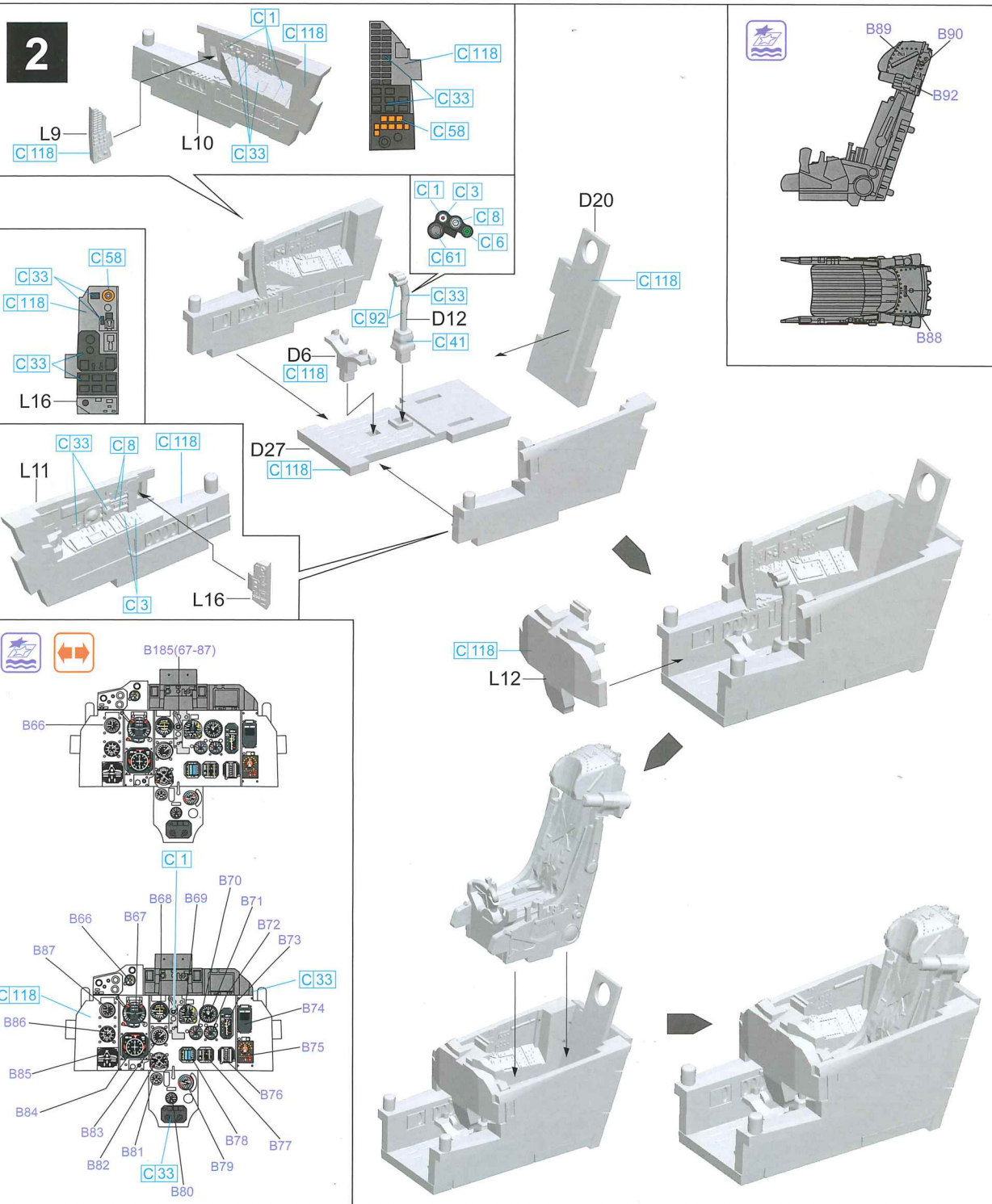
Special thanks to design supervisors Mr. Yufei Mao

L7212
1/72 SCALE

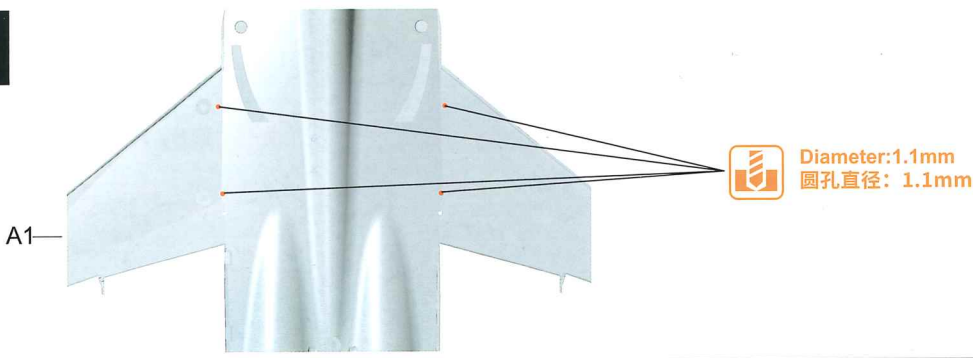
1



2

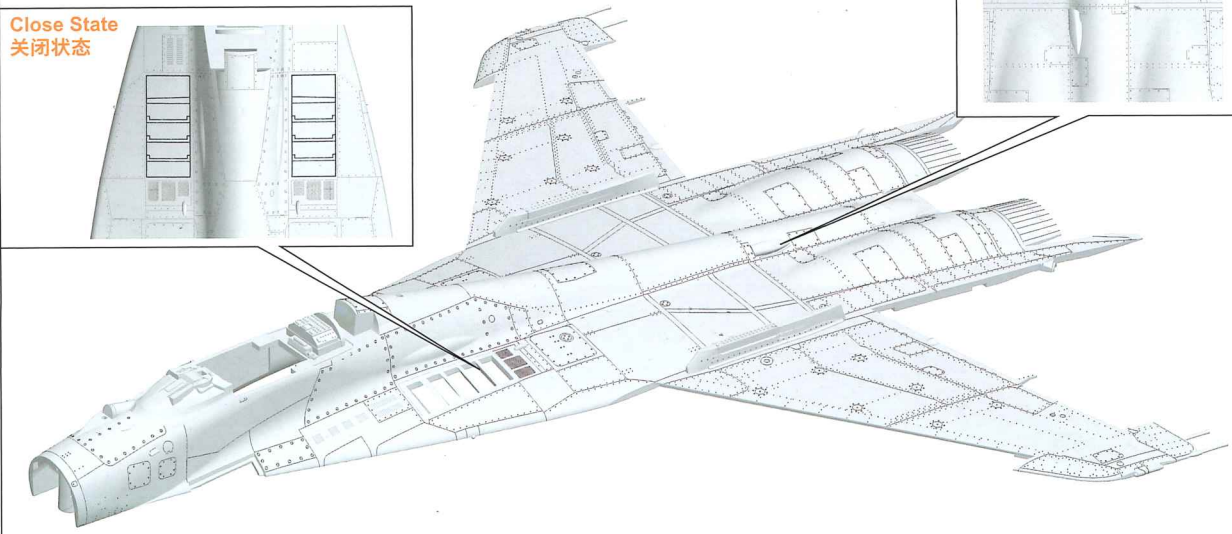
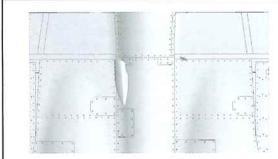
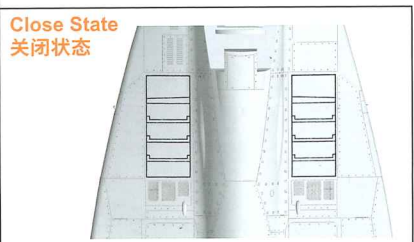
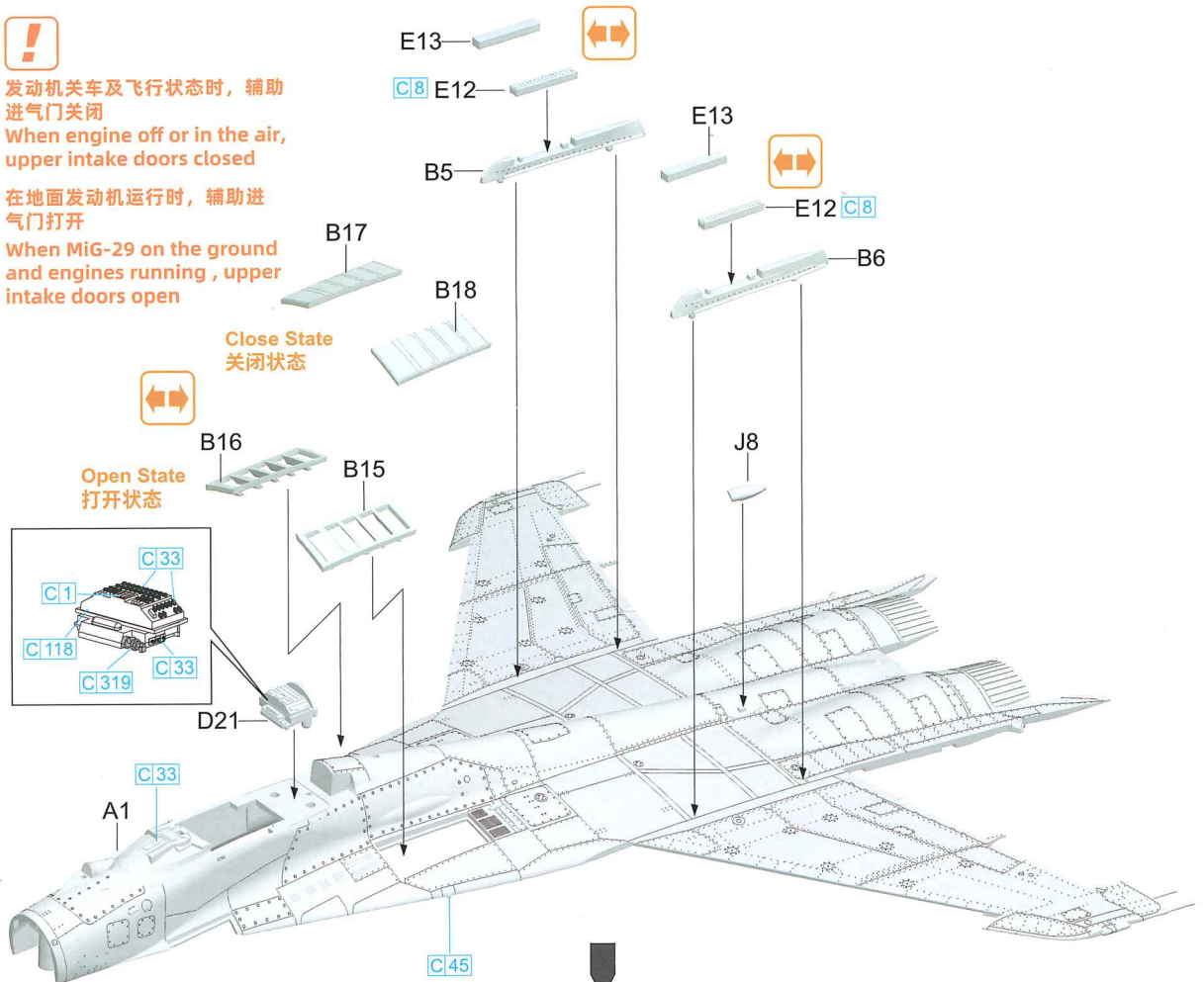


3



发动机关车及飞行状态时，辅助进气门关闭
When engine off or in the air, upper intake doors closed

在地面发动机运行时，辅助进气门打开
When MiG-29 on the ground and engines running, upper intake doors open



4



Diameter:0.8mm
圆孔直径: 0.8mm



用于PTB-1150副油箱/BD3-USK挂架
For PTB-1150 fuel tank/BD3-USK pylon



Diameter:0.8mm
圆孔直径: 0.8mm

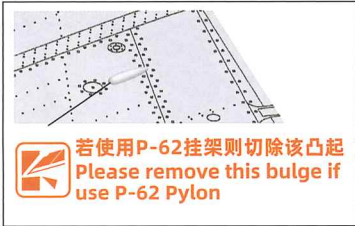


Diameter:1.1mm
圆孔直径: 1.1mm



用于APU-470 挂架
For APU-470 Pylon

B4



若使用P-62挂架则切除该凸起
Please remove this bulge if
use P-62 Pylon

B13

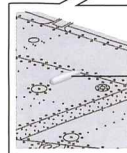
C308

B14

C308

J4

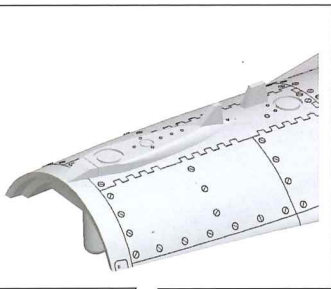
B4



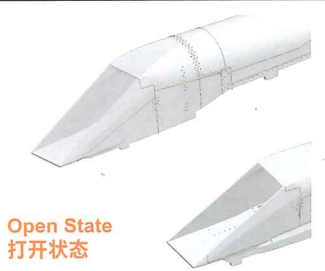
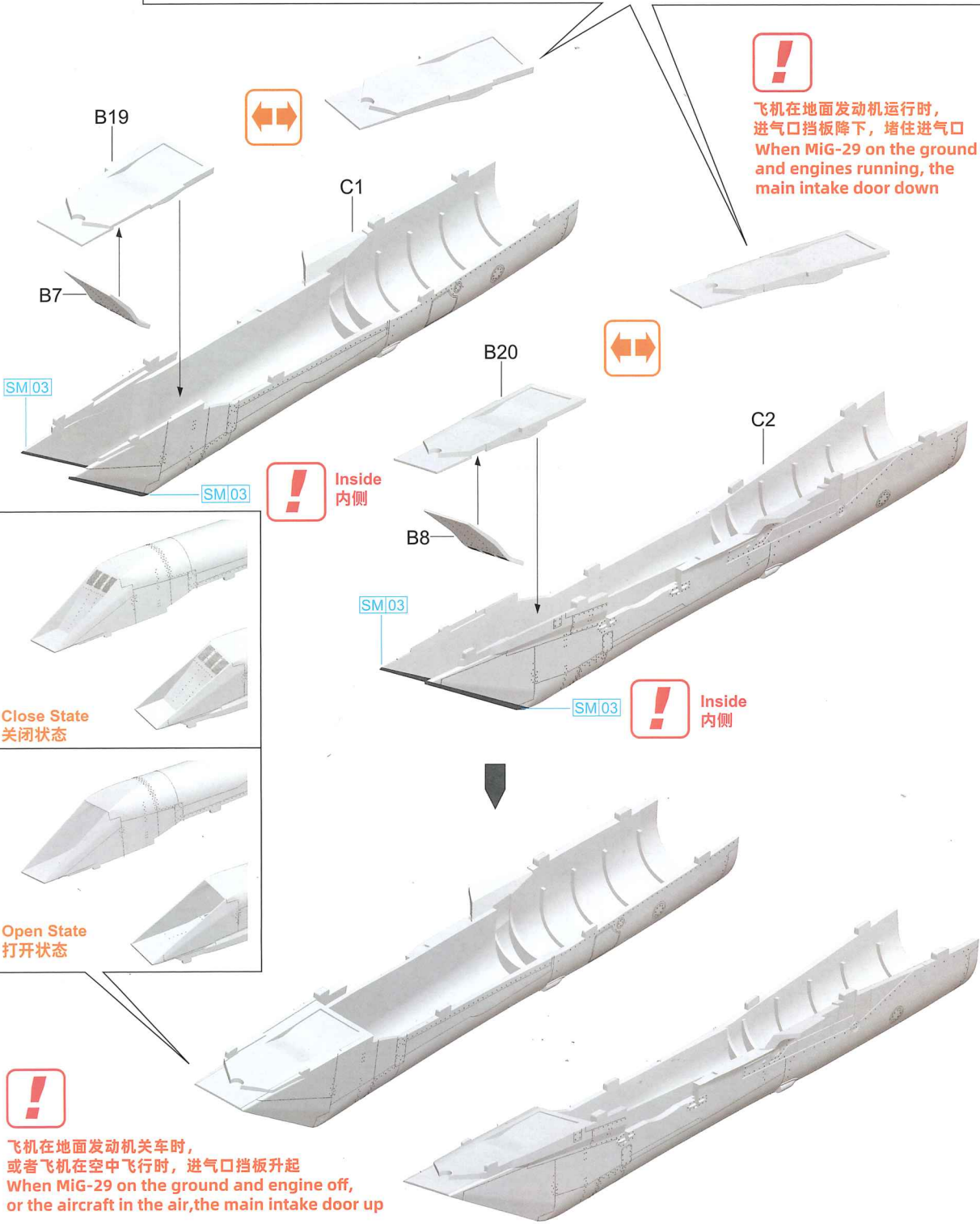
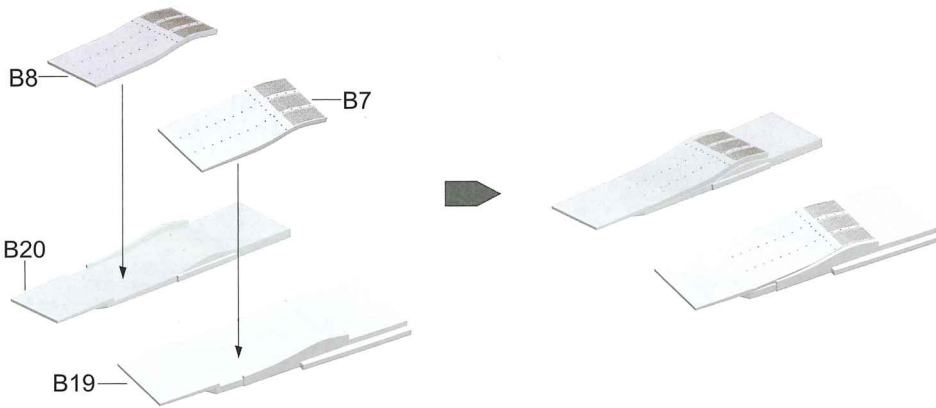
若使用P-62挂架则切除该凸起
Please remove this bulge if
use P-62 Pylon

D16

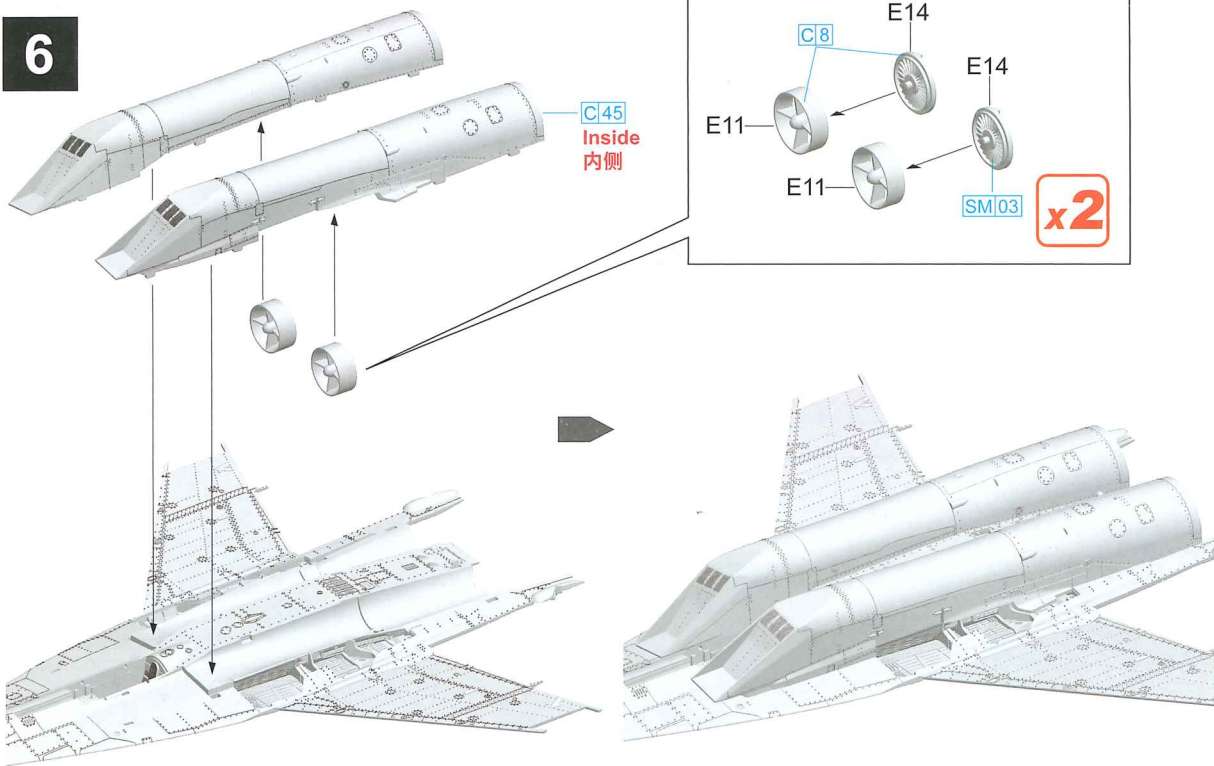
C308



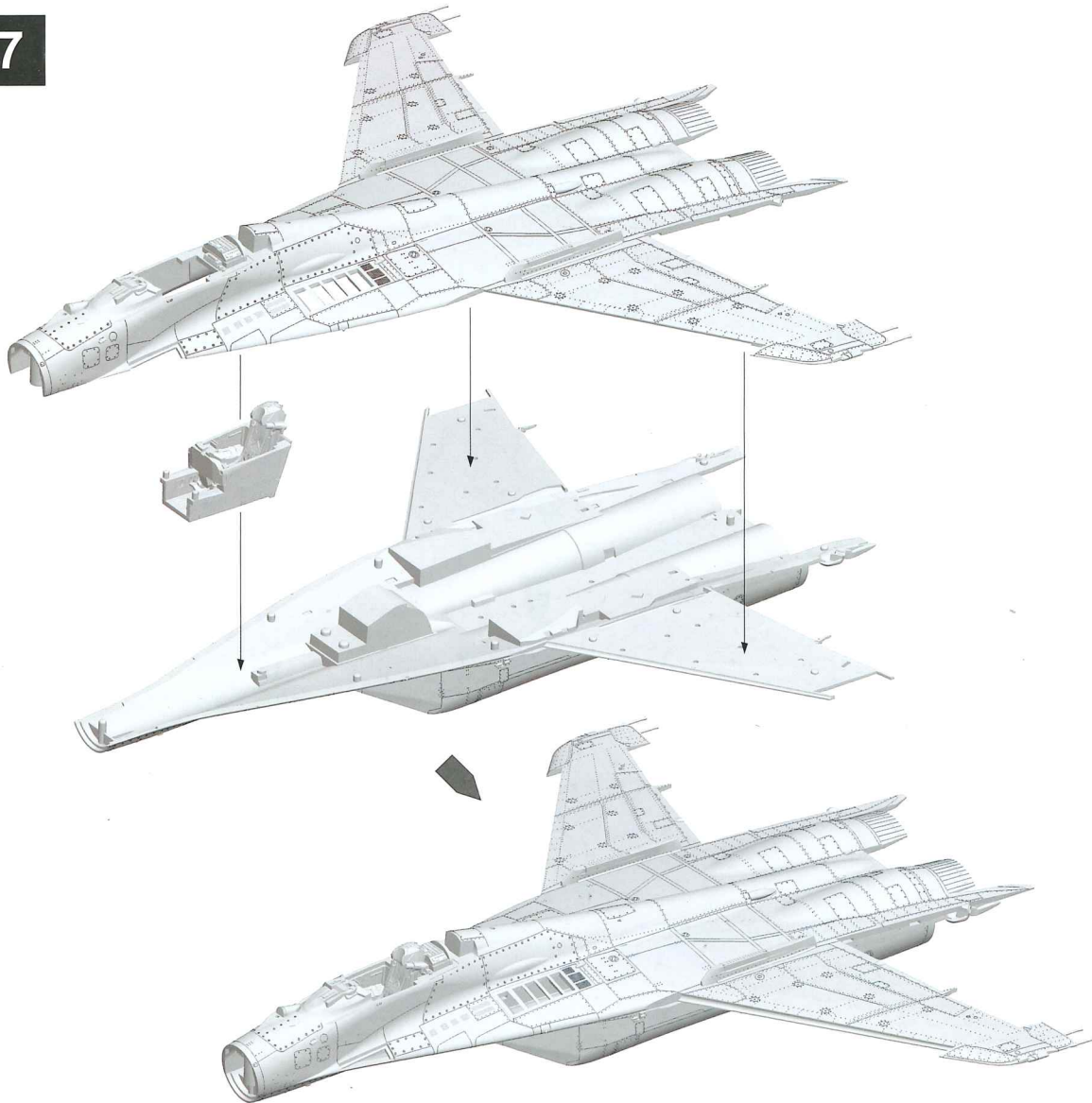
5



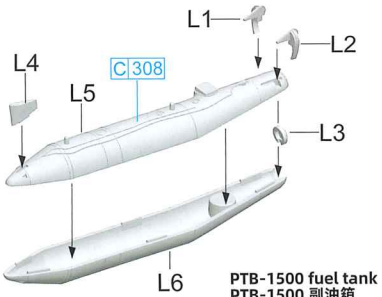
6



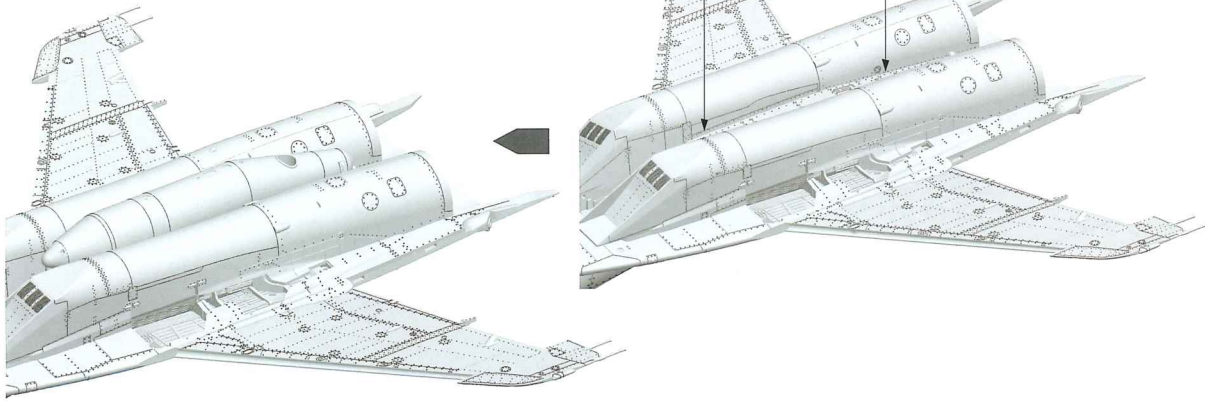
7



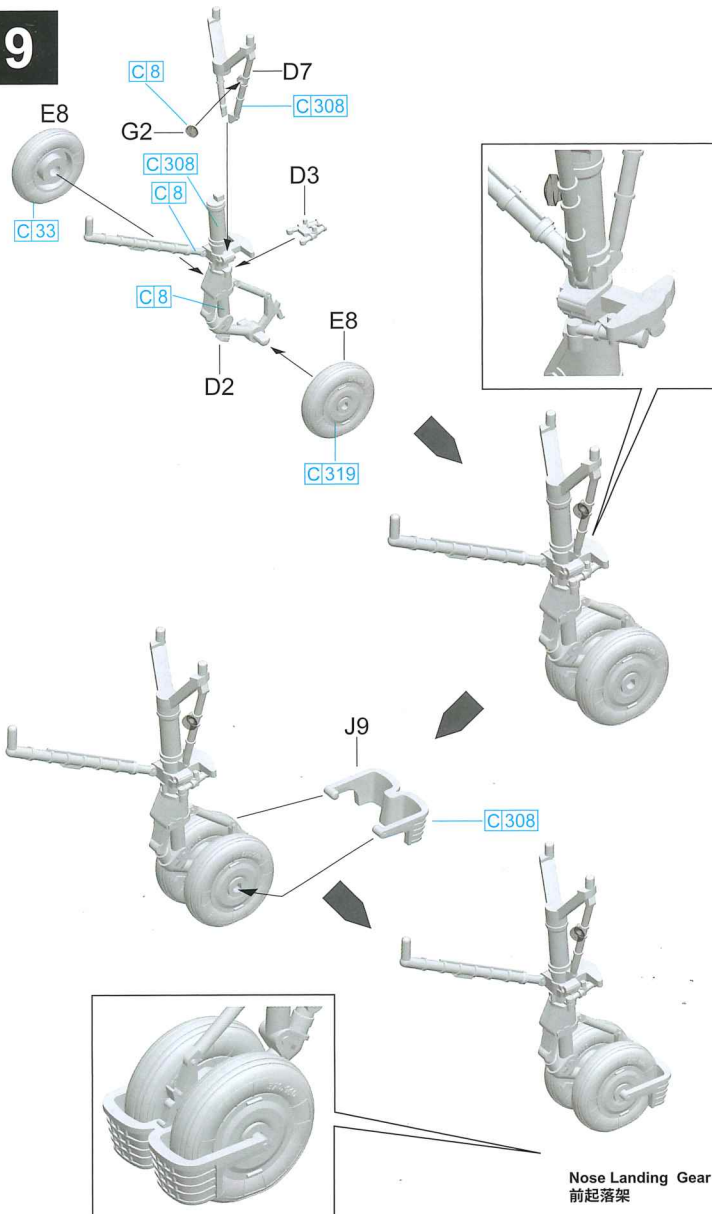
8



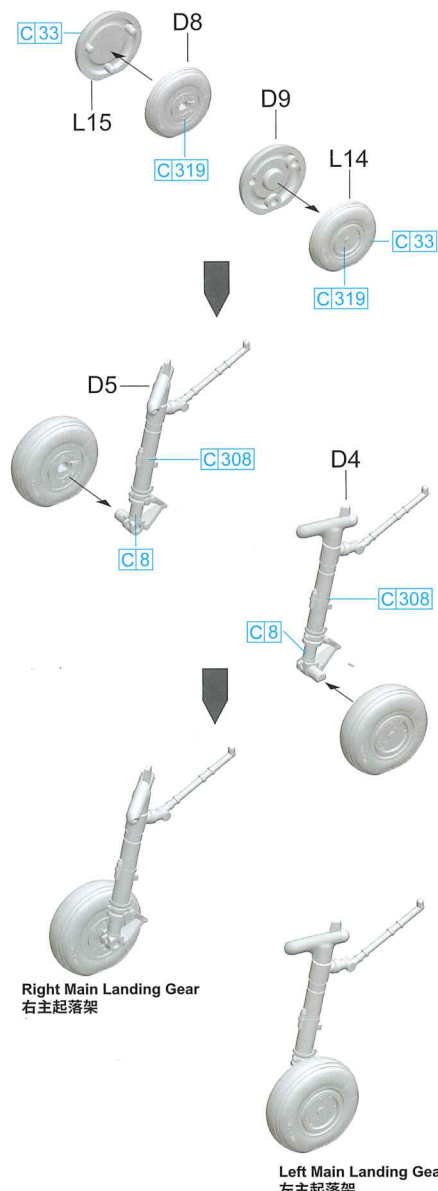
PTB-1500 fuel tank
PTB-1500 副油箱



9



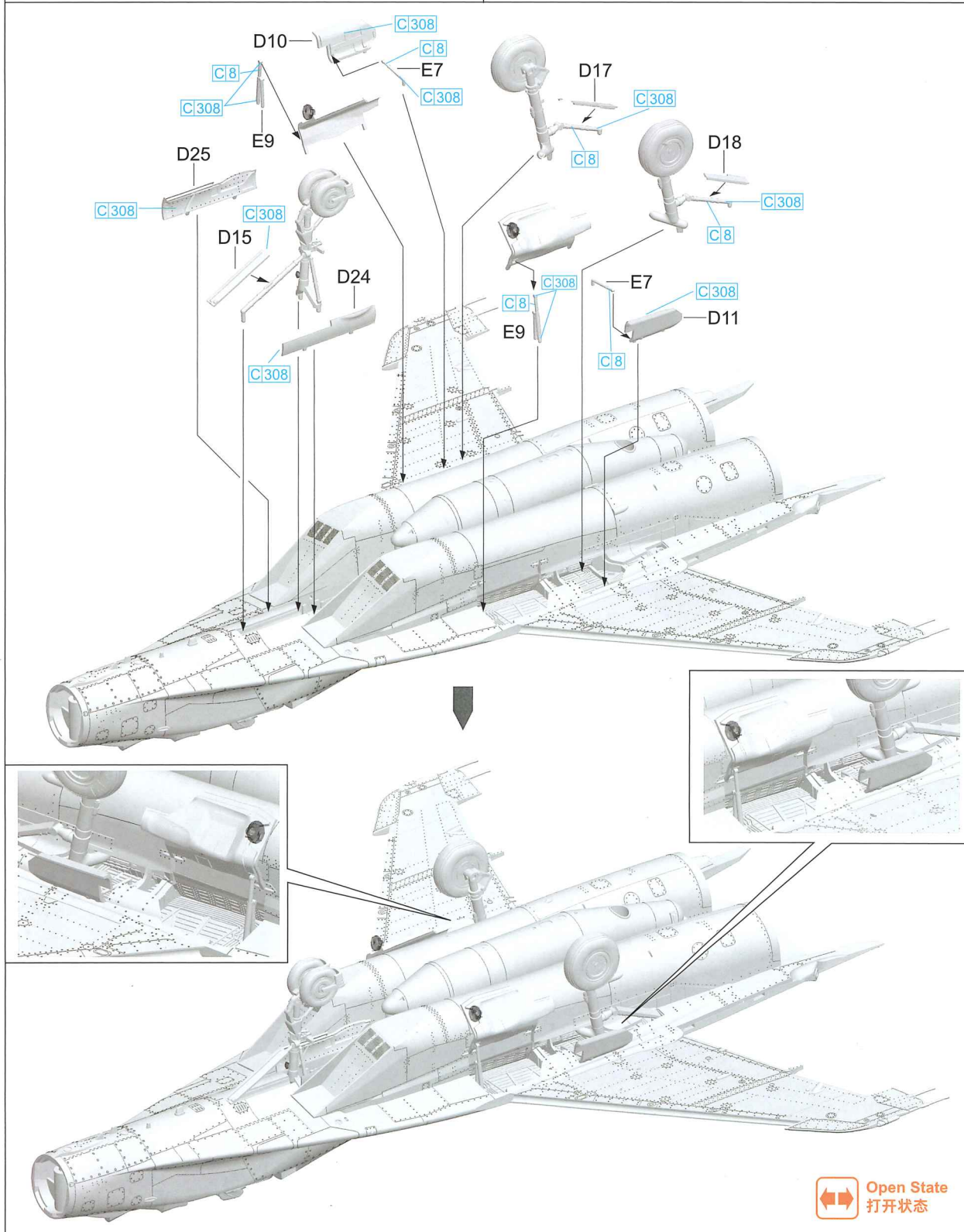
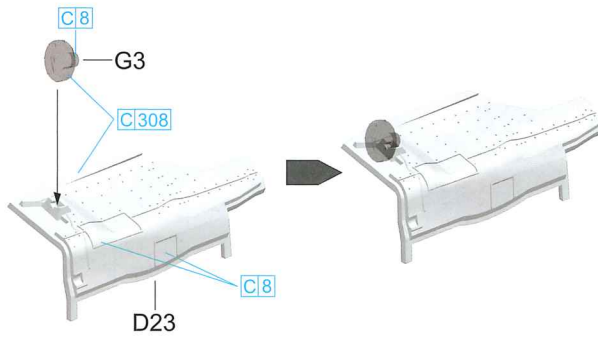
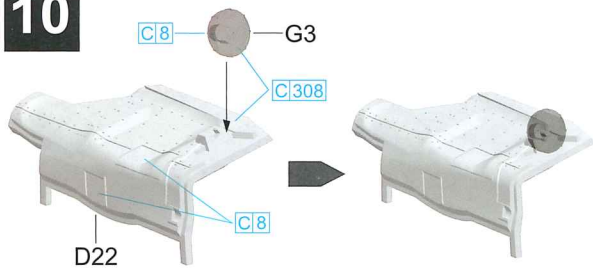
Nose Landing Gear
前起落架



Right Main Landing Gear
右主起落架

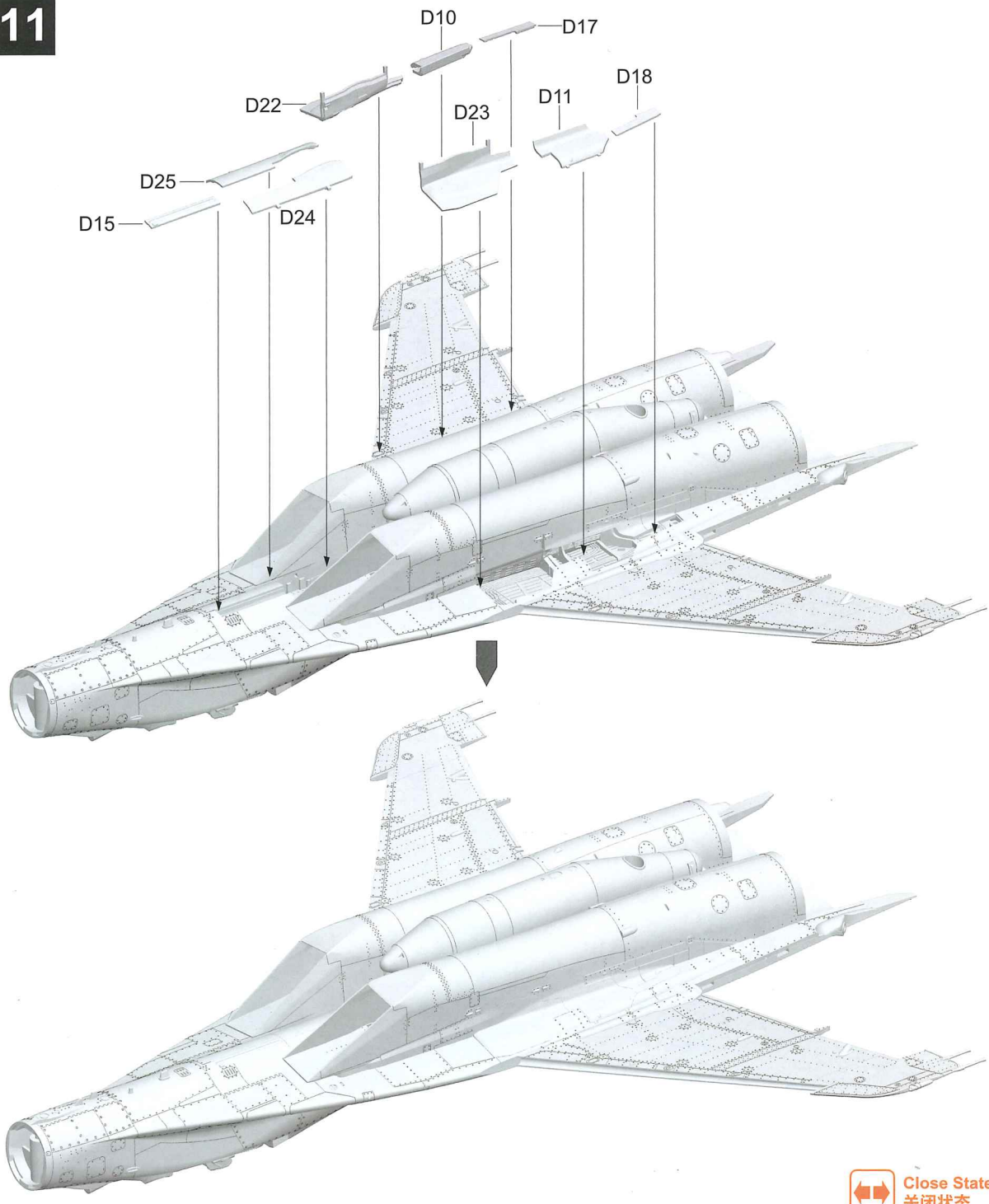
Left Main Landing Gear
左主起落架

10



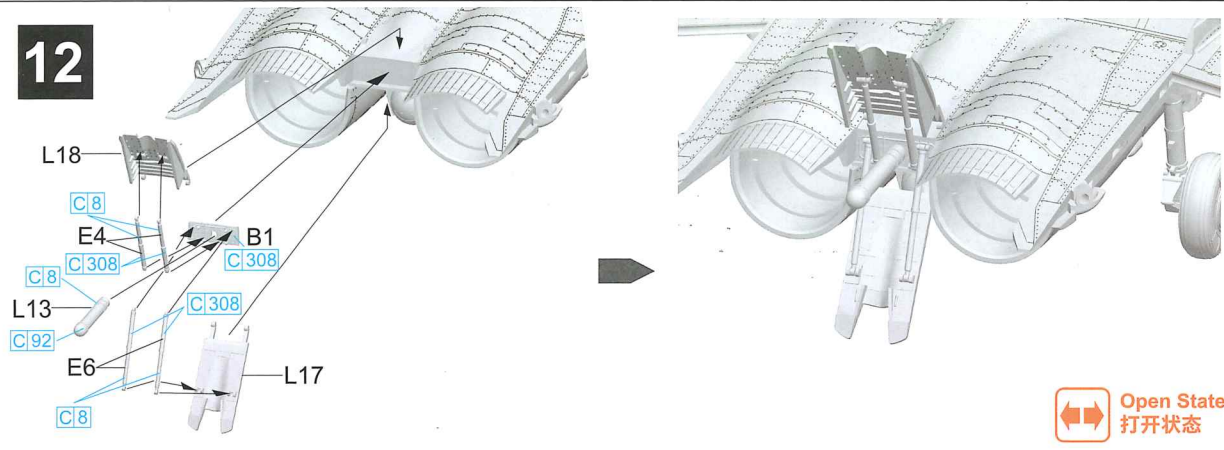

Open State
 打开状态

11



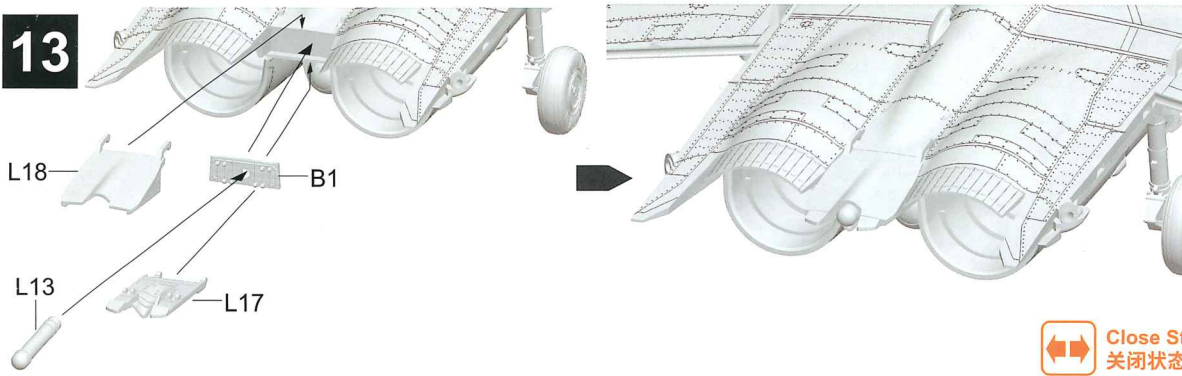
Close State
关闭状态

12



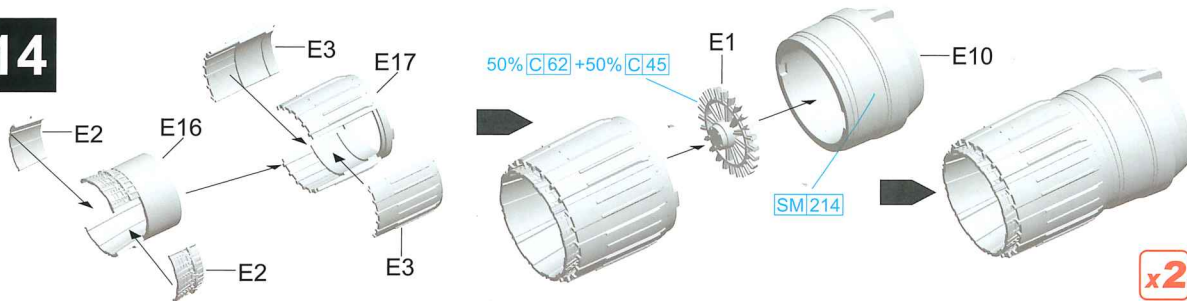
Open State
打开状态

13



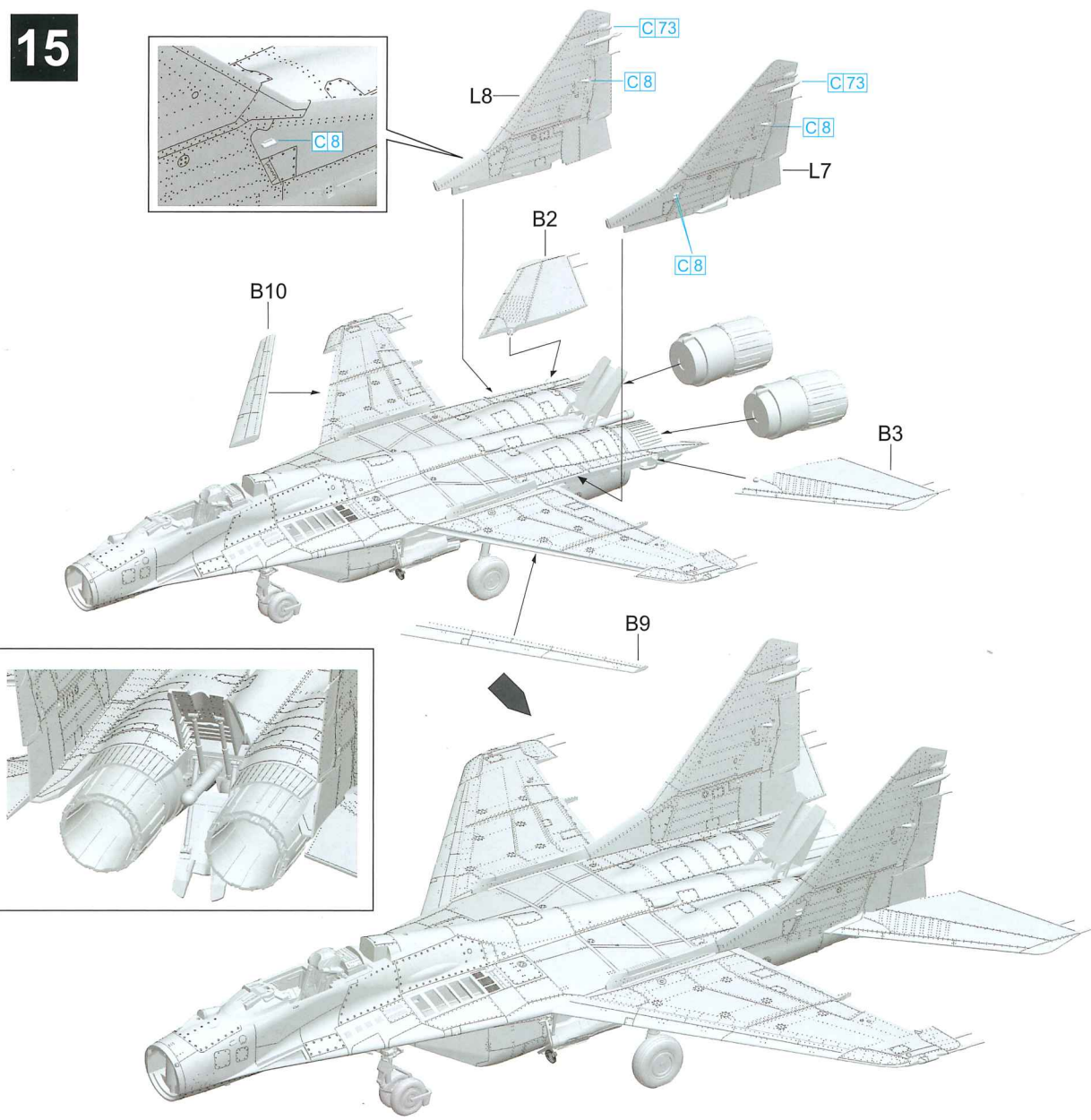
Close State
关闭状态

14



x2

15



16

C8

E5

B11

B21

B22



驻机状态时副翼上翘5度
Ailerons 5 degrees up
when aircraft is parked

C8

E5

B12

17

C118

G1

G6

C118

C45

J6

C33

G4

J1

C8

J5

C33

J2

G5

C8

B23

SM03

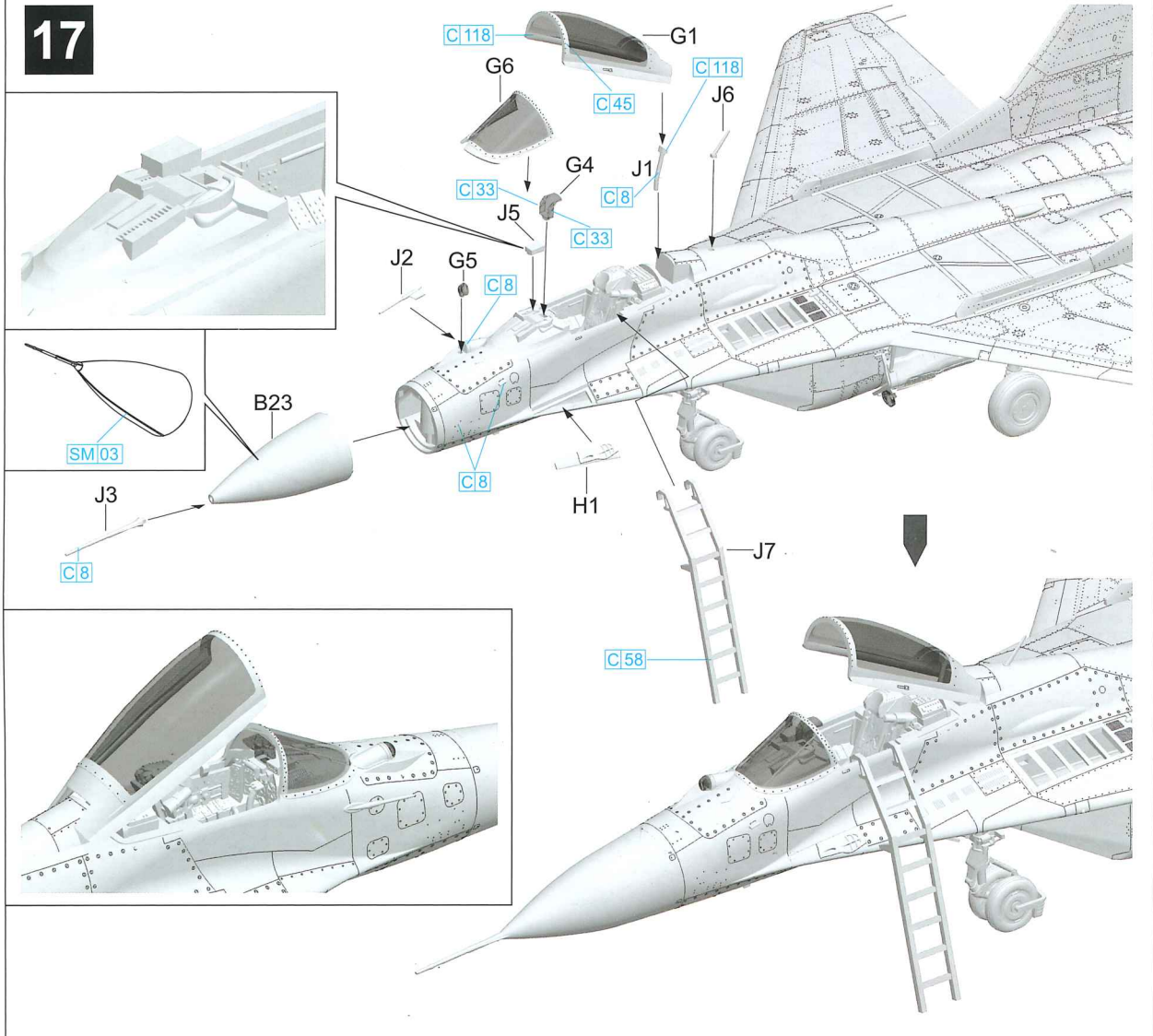
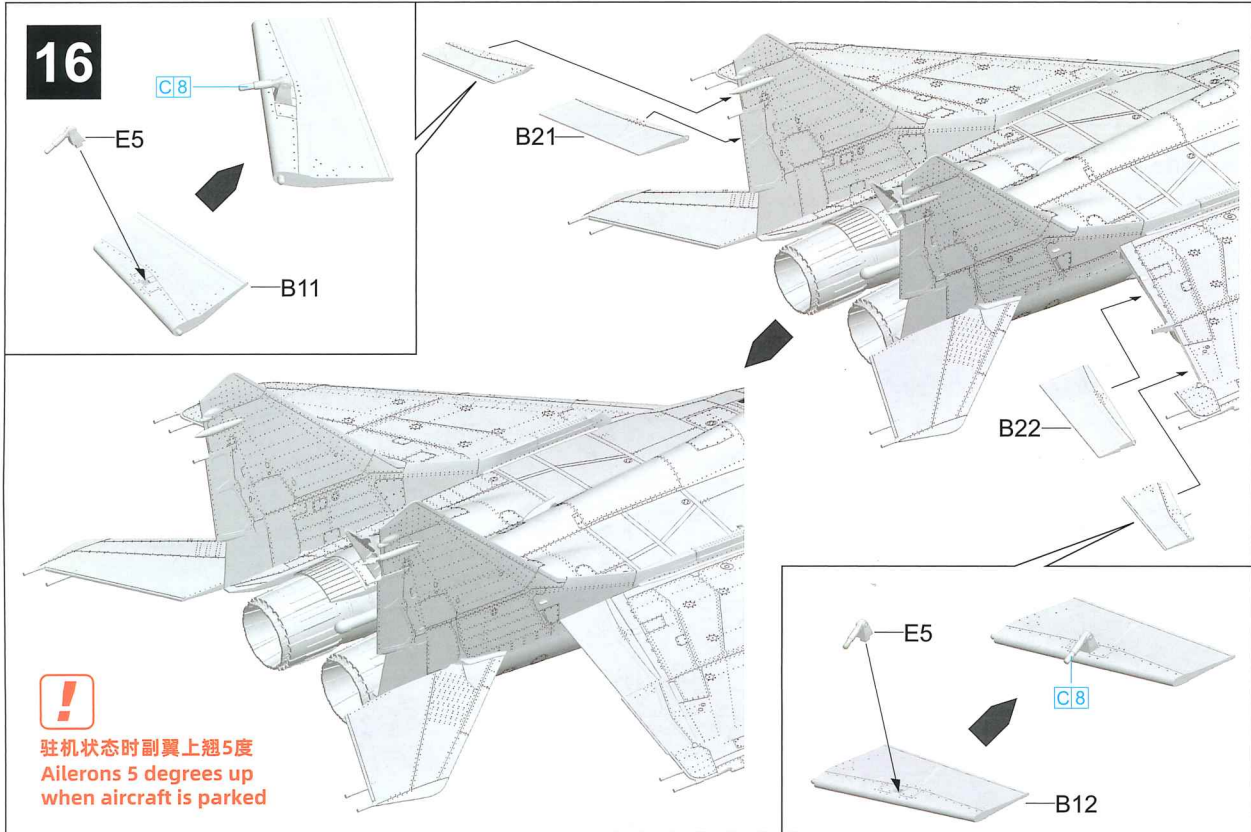
J3

C8

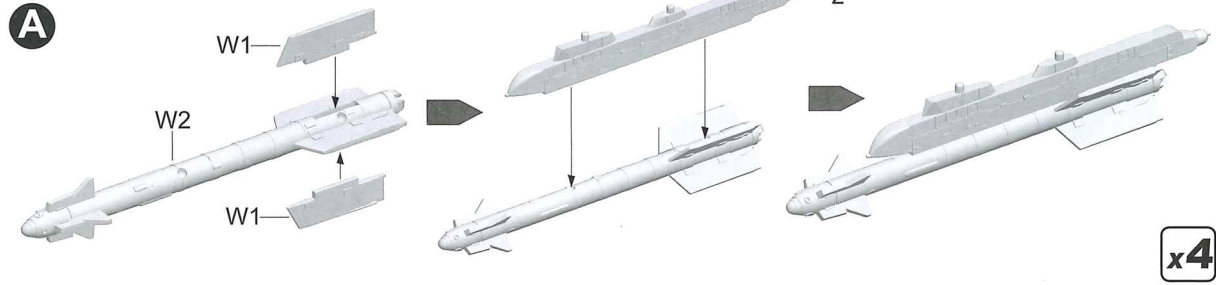
H1

J7

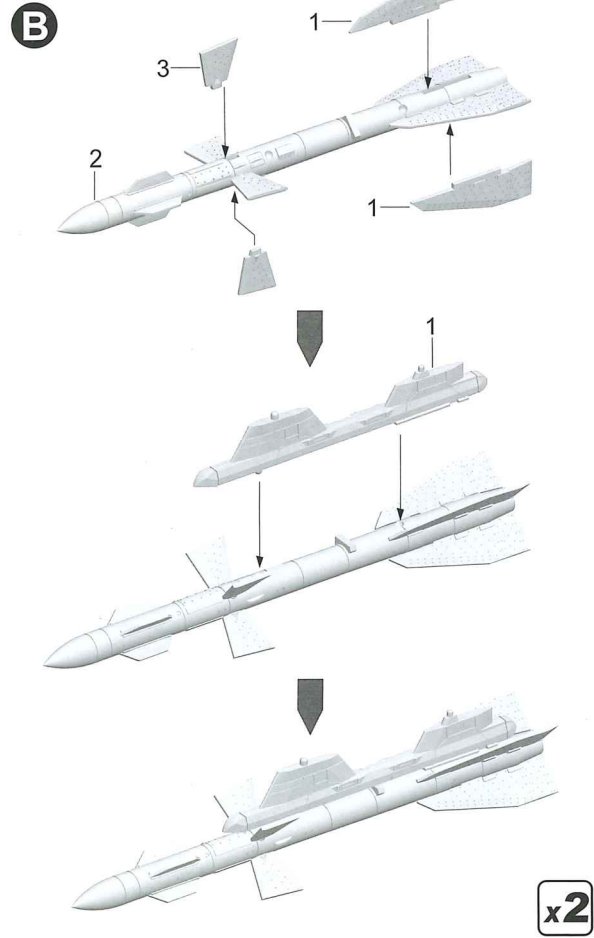
C58



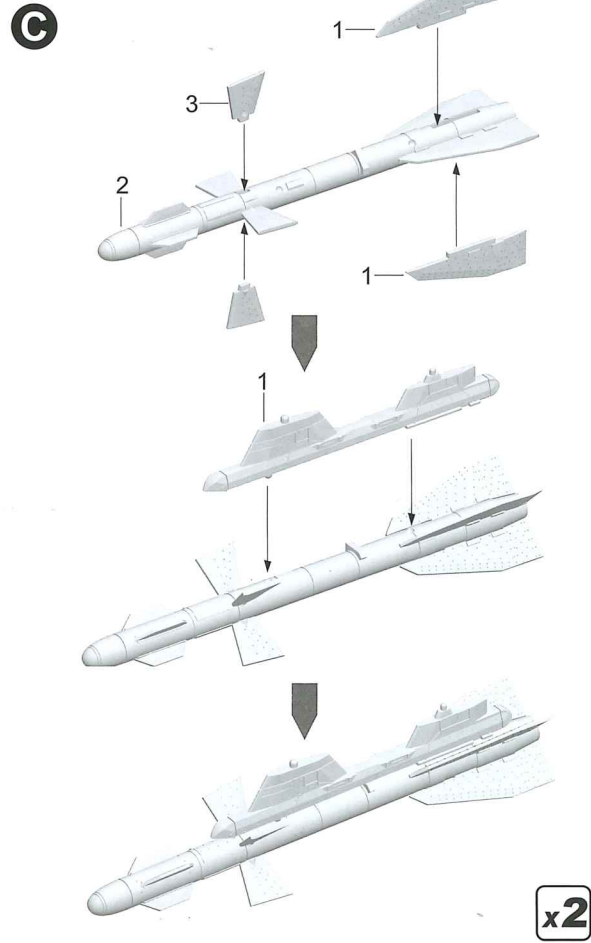
R-73 Missile + P-72 Pylon
R-73 空空导弹 + P-72 挂架



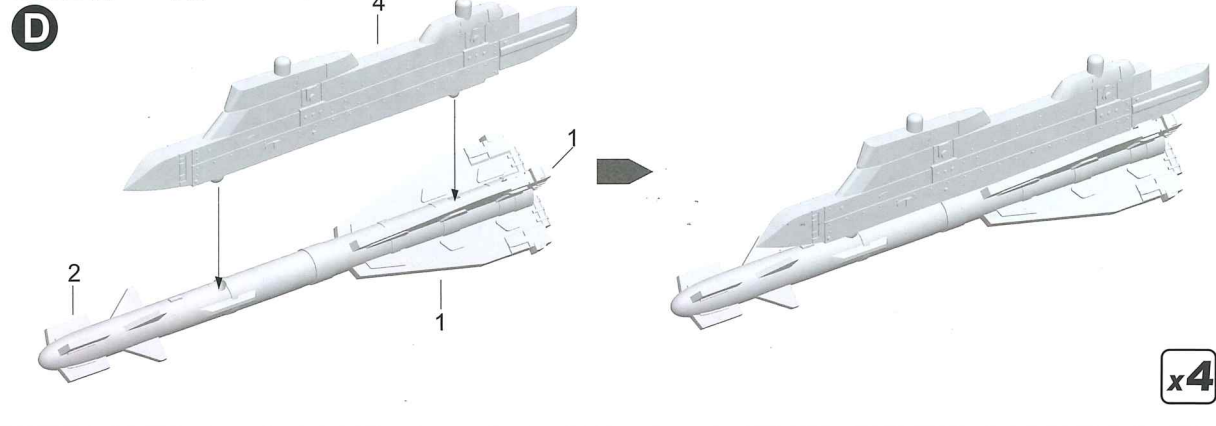
R-27R Missile + APU-470 Pylon
R-27R 空空导弹 + APU-470 挂架



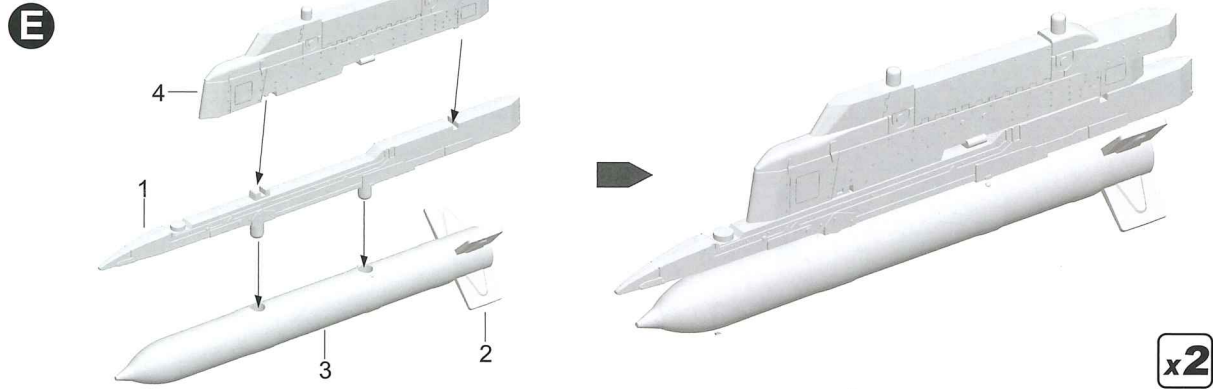
R-27T Missile + APU-470 Pylon
R-27T 空空导弹 + APU-470 挂架



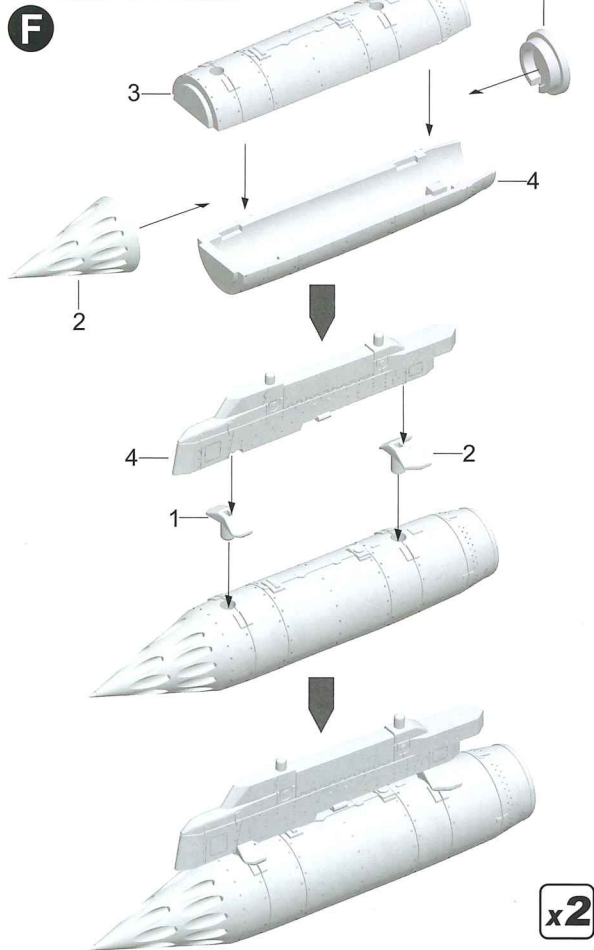
R-60 Missile + P-62 Pylon
R-60 空空导弹 + P-62 挂架



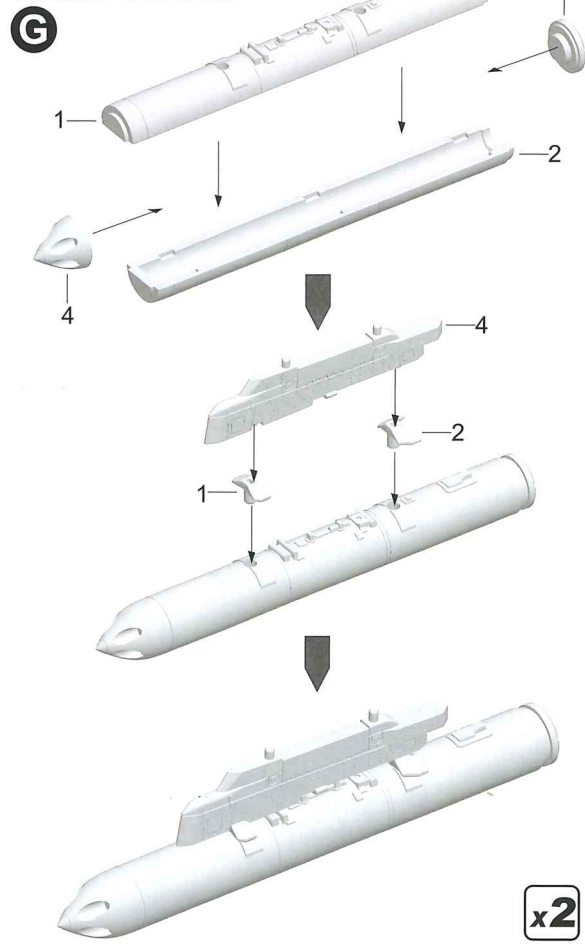
S-24 Rocket + BD3-USK Pylon
S-24 火箭弹 + BD3-USK 挂架



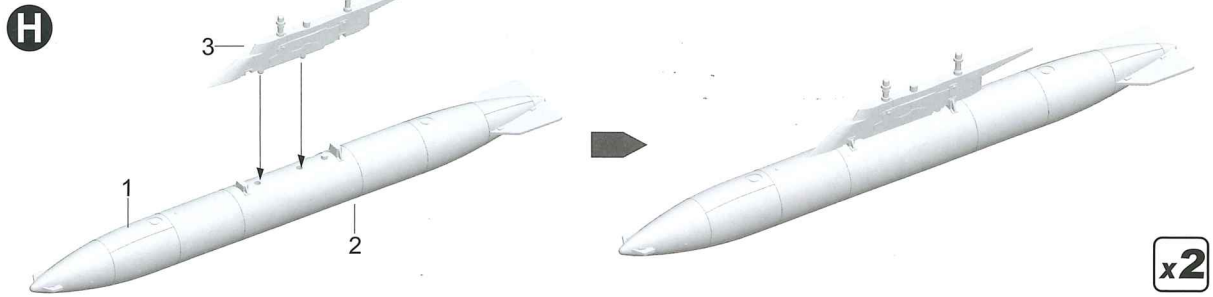
B-8M1 Launcher + BD3-USK Pylon
B-8M1 火箭巢 + BD3-USK 挂架

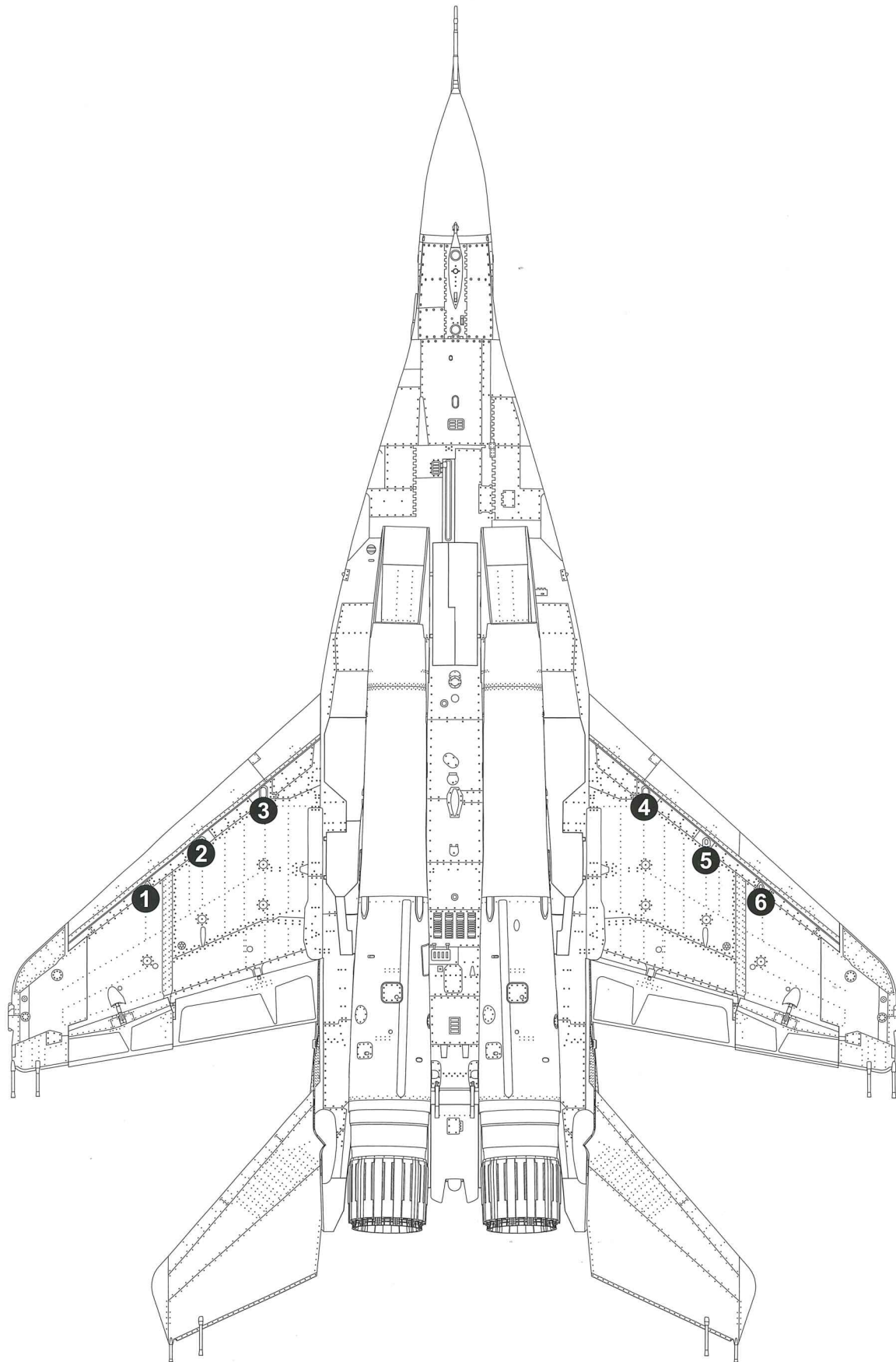


B-13L Launcher + BD3-USK Pylon
B-13L 火箭巢 + BD3-USK 挂架



PTB-1150 Tank + PTB-1150 Pylon
PTB-1150 油箱 + PTB-1150 挂架

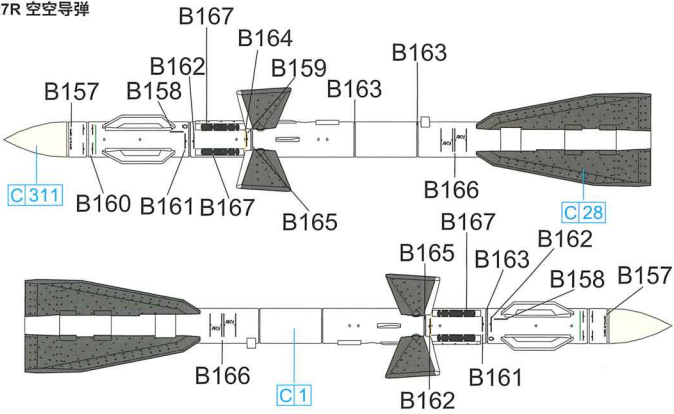




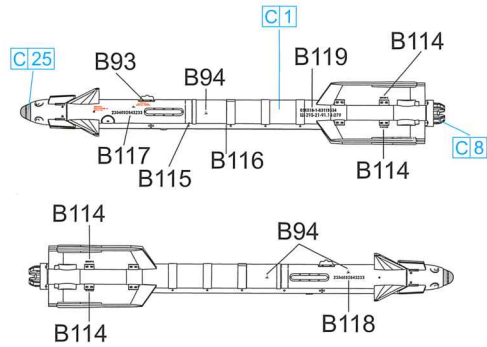
Hardpoint 挂点	1	2	3	4	5	6
A	●	●			●	●
B			●	●		
C			●	●		
D	●	●			●	●
E			●	●		
F			●	●		
G			●	●		
H			●	●		

20

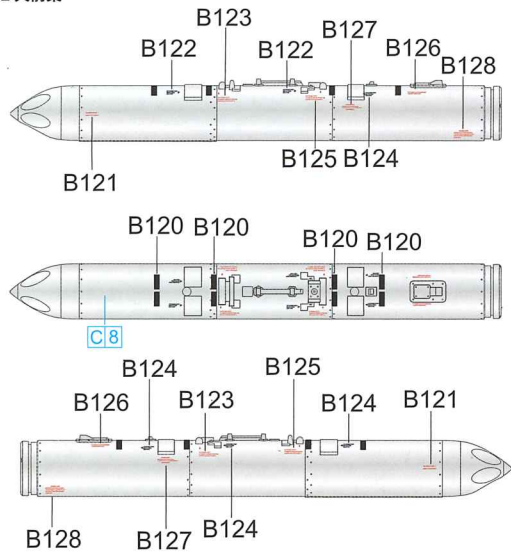
R-27R Missile
R-27R 空空导弹



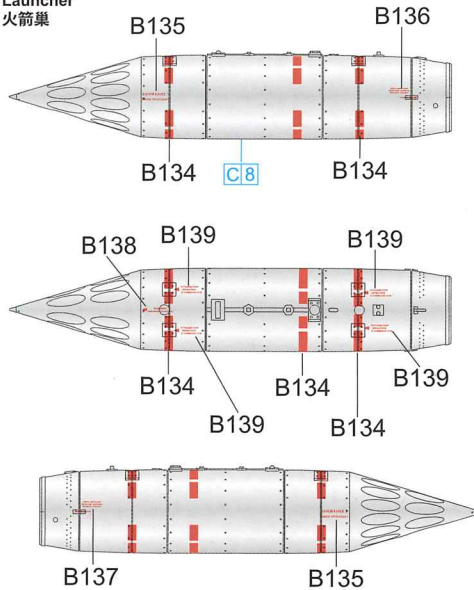
R-73 Missile
R-73 空空导弹



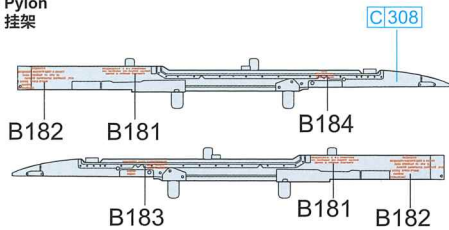
B-13L Launcher
B-13L 火箭巢



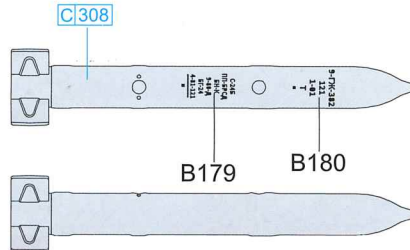
B-8M1 Launcher
B-8M1 火箭巢



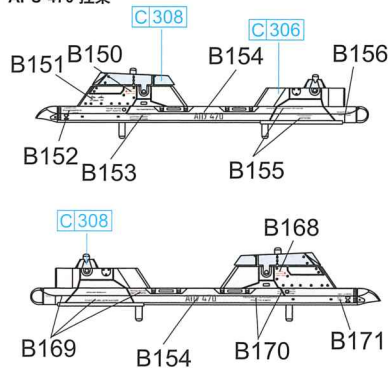
S-24 Pylon
S-24 挂架



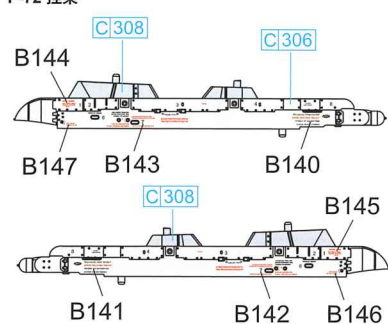
S-24 Rocket
S-24 火箭弹



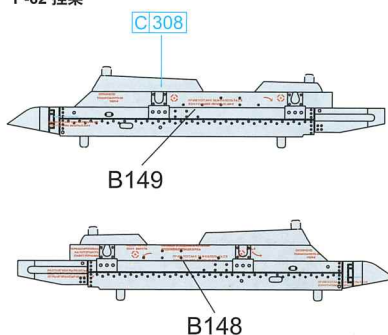
APU-470 Pylon
APU-470 挂架



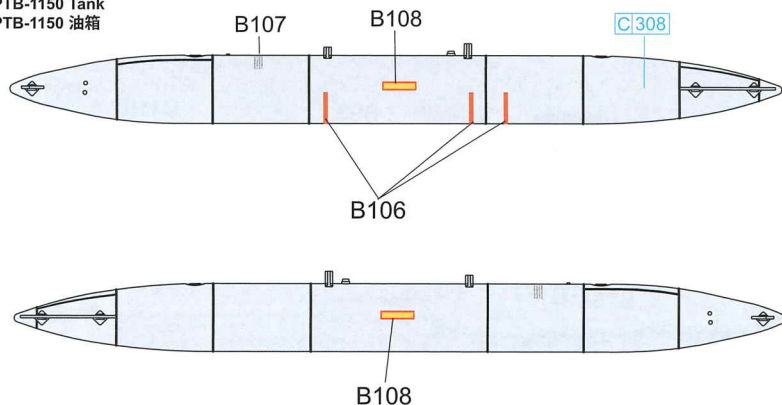
P-72 Pylon
P-72 挂架



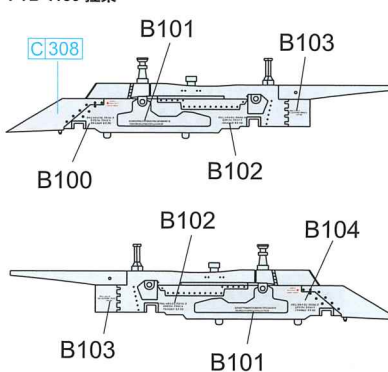
P-62 Pylon
P-62 挂架



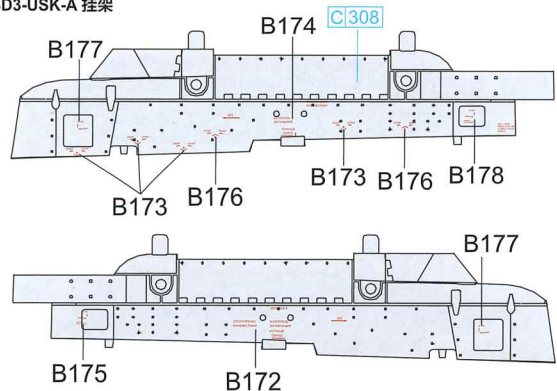
PTB-1150 Tank
PTB-1150 油箱



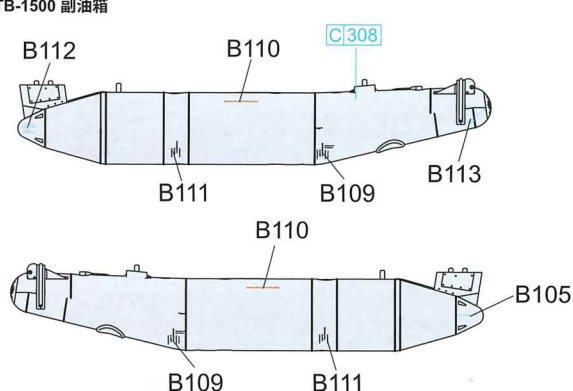
PTB-1150 Pylon
PTB-1150 挂架



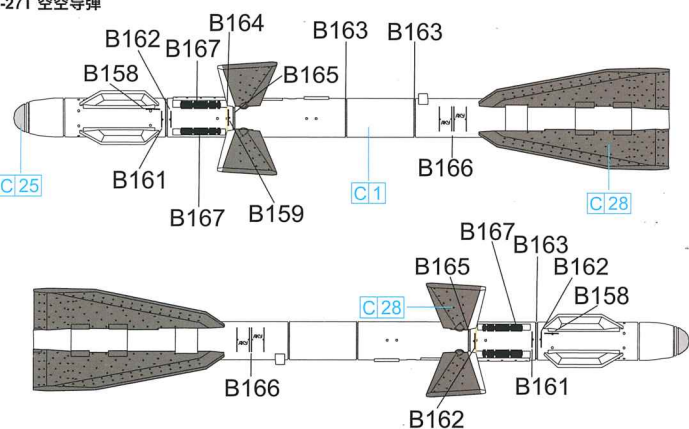
BD3-USK-A Pylon
BD3-USK-A 挂架



PTB-1500 Fuel Tank
PTB-1500 副油箱



R-27T Missile
R-27T 空空导弹



R-60 Missile
R-60 空空导弹

