

Nanchang Q-5

中国强五乙强击机

READ BEFORE ASSEMBLY:

- Study and understand these instructions thoroughly before beginning assembly
- When needed, remove photo-etch parts carefully using a modeling knife or photo etch sprue cutter, being careful not to damage or lose small parts.
- Take extra care in handling photo etch parts in order to avoid injury
- Apply instant cement sparingly to photo etch parts where instructed
- Tools recommended(not included in kit):Plastic and instant cements, sprue cutters,long nose pliers,modeling knife, small files, tweezers, pin vise & scissors. Soft cloth and sandpaper will also assist in construction
- Glue and paint are not included in the kit. Use plastic cement and hobby paints only. Color guide for purchasing paint is included in the kit.

装配之前仔细阅读

- 小心用模型锉刀锉平所有零件表面的注射浇口。
- 小心用刀片切下蚀刻片零件，不要遗失小零件。
- 用强力快干胶水粘合蚀刻片零件和金属轴。过量快干胶水使用可能导致可动零件会粘住，小心涂胶。
- 取蚀刻片时应特别注意安全，防止利边划伤手指。
- 某些零件表面需贴水上贴纸，请选择在装配的同时进行。
- 推荐模型工具(自备)：胶水，水口剪刀，长咀钳，刀片，锉刀，镊子，钳，钻，剪刀，瞬间快干胶。
- 软布同砂纸同时也应该是必备工具。
- 请使用塑料胶水和油漆，模型内不含。



配置
Weight



使用强力胶
Cyanoacrylate glue



钻孔
Make hole



切除
Cut / Remove



贴纸
Decal



锉平
File / Sand



选择
Option



不涂胶水
No cement



弯曲
Bend



先装
Install it first

水贴纸的使用:

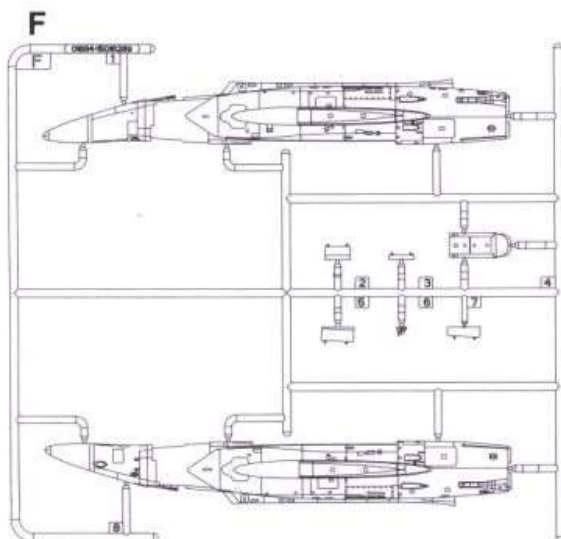
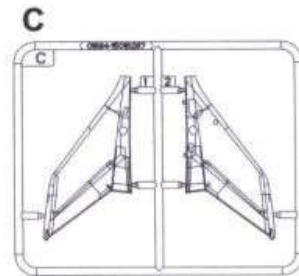
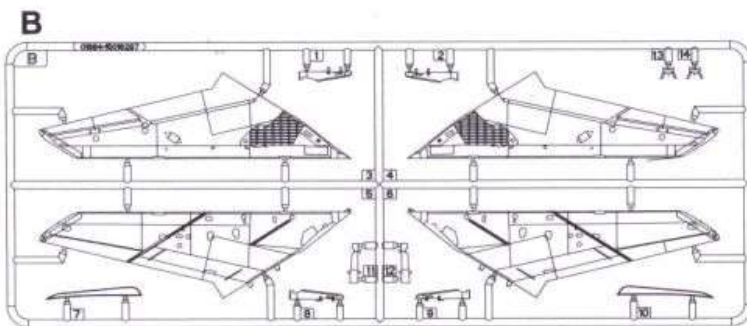
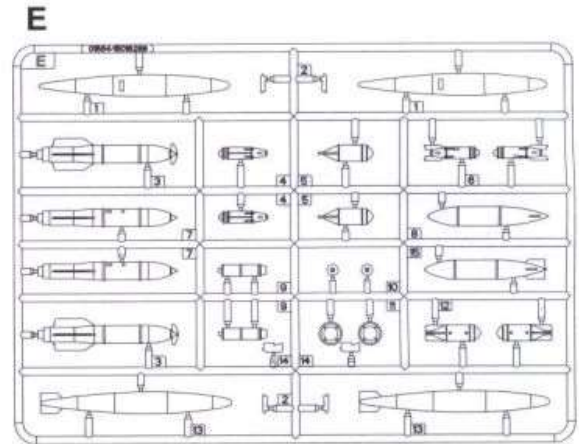
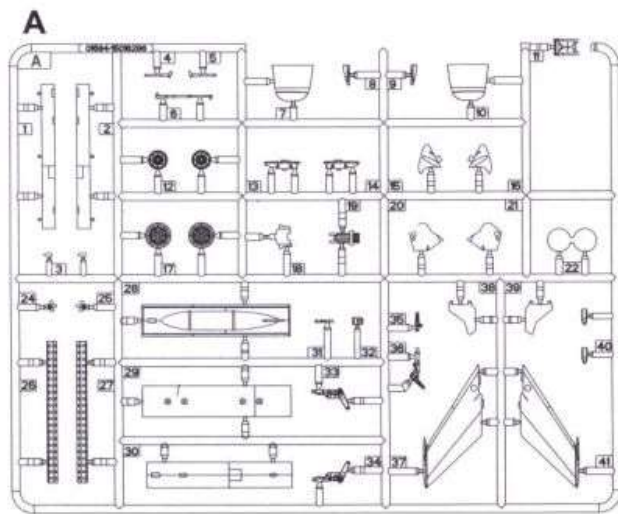
- 1.从水贴纸上剪下印花;
- 2.将印花放入温水中浸10秒,然后放在干净布上。
- 3.拿着印花纸板将印花移到模型上;
- 4.手指蘸水将印花移到适当的位置;
- 5.用软布轻压印花直至水干, 气泡消失

DECAL APPLICATION

- 1.Cut decals from sheet as needed
- 2.Dip the decal in warm water for about 10 seconds and then place on soft clean cloth.
- 3.Hold the decal backing sheet edge and gently slide the decal onto the model in its proper position.

- 4.While still wet,decal can be adjusted for better fit on model by dampening it gently with your finger.
- 5.When placed in the proper position,gently press decal down with a soft cloth until excess water and air bubbles are gone.
- 6.Allow decal to dry completely before handling model

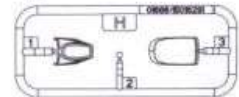
部品图
Parts



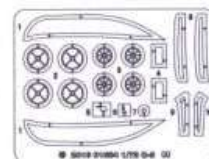
A23



H



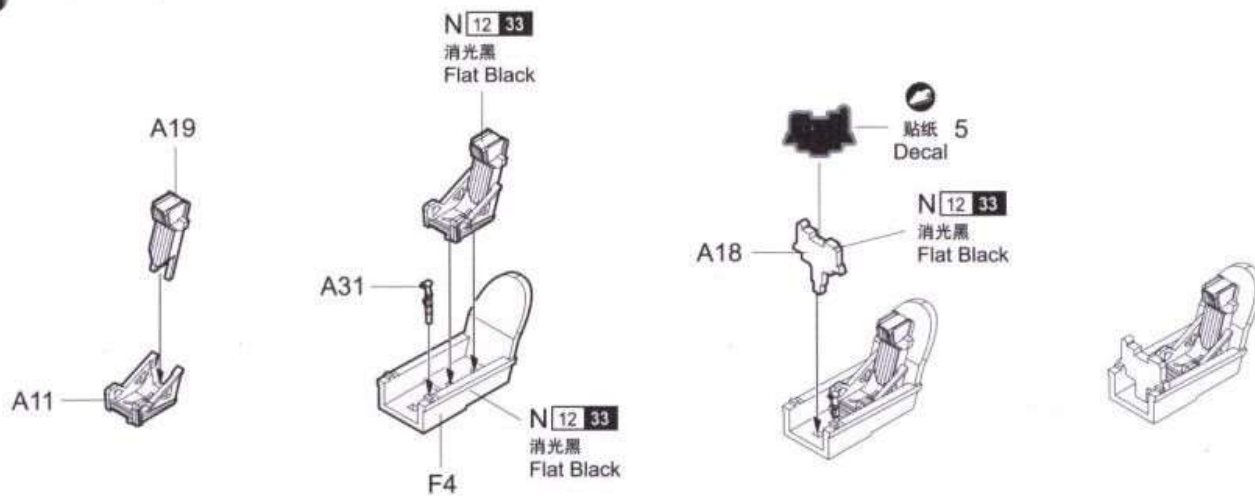
《蚀刻片》A
PE-A



《水贴纸》
Decal

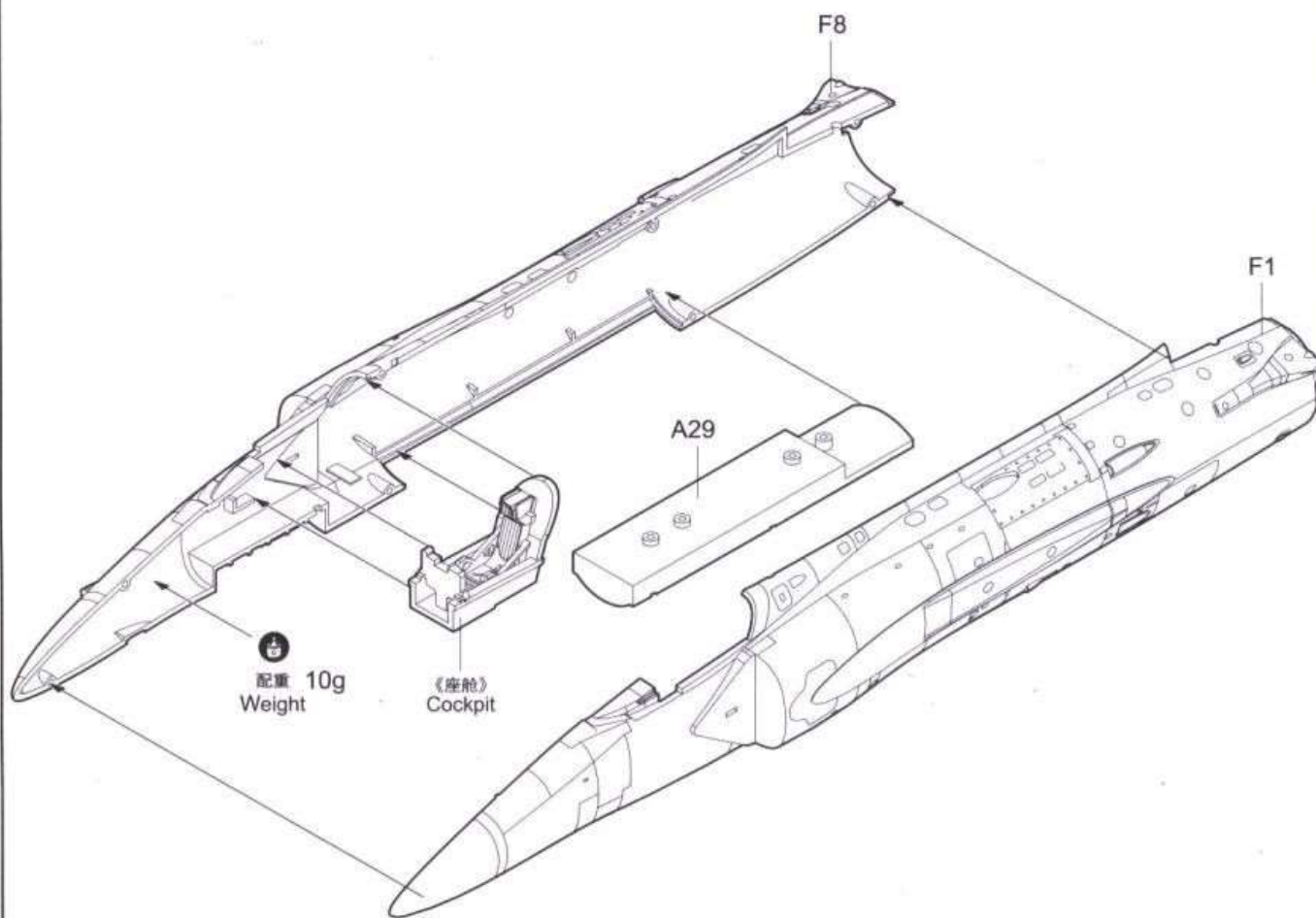


1

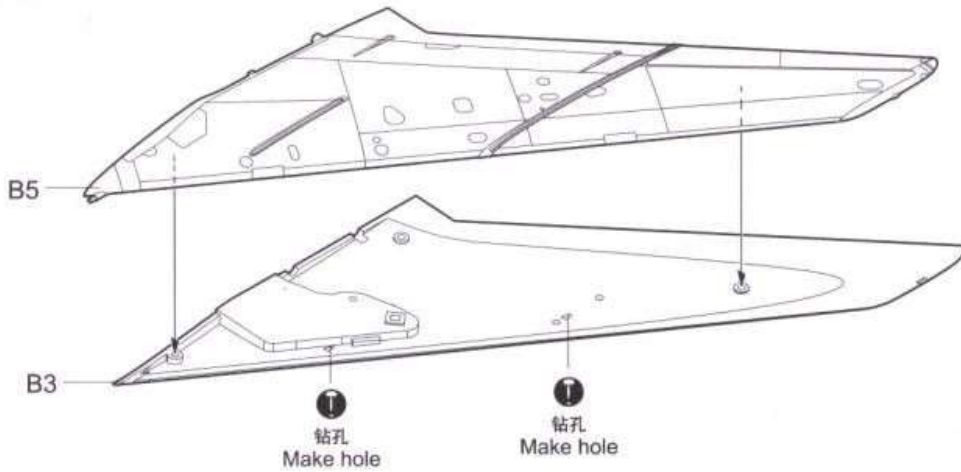


《座舱》
Cockpit

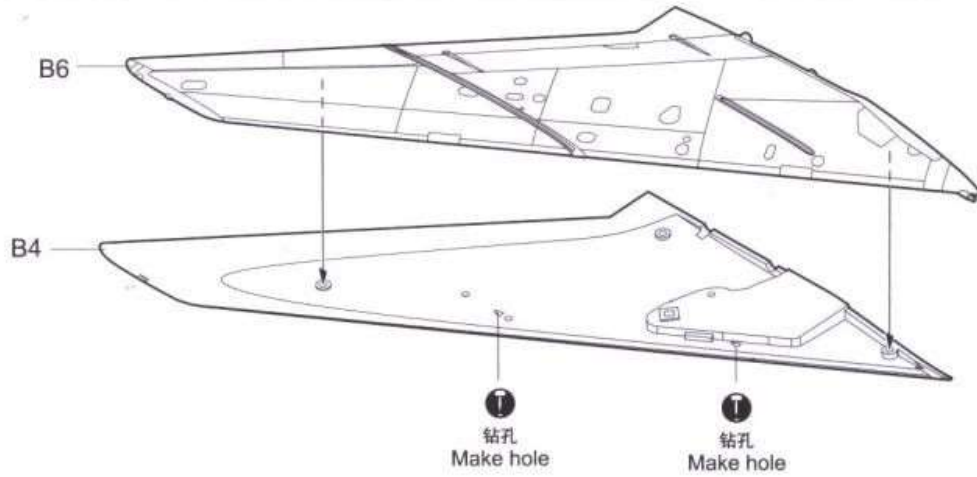
2



3

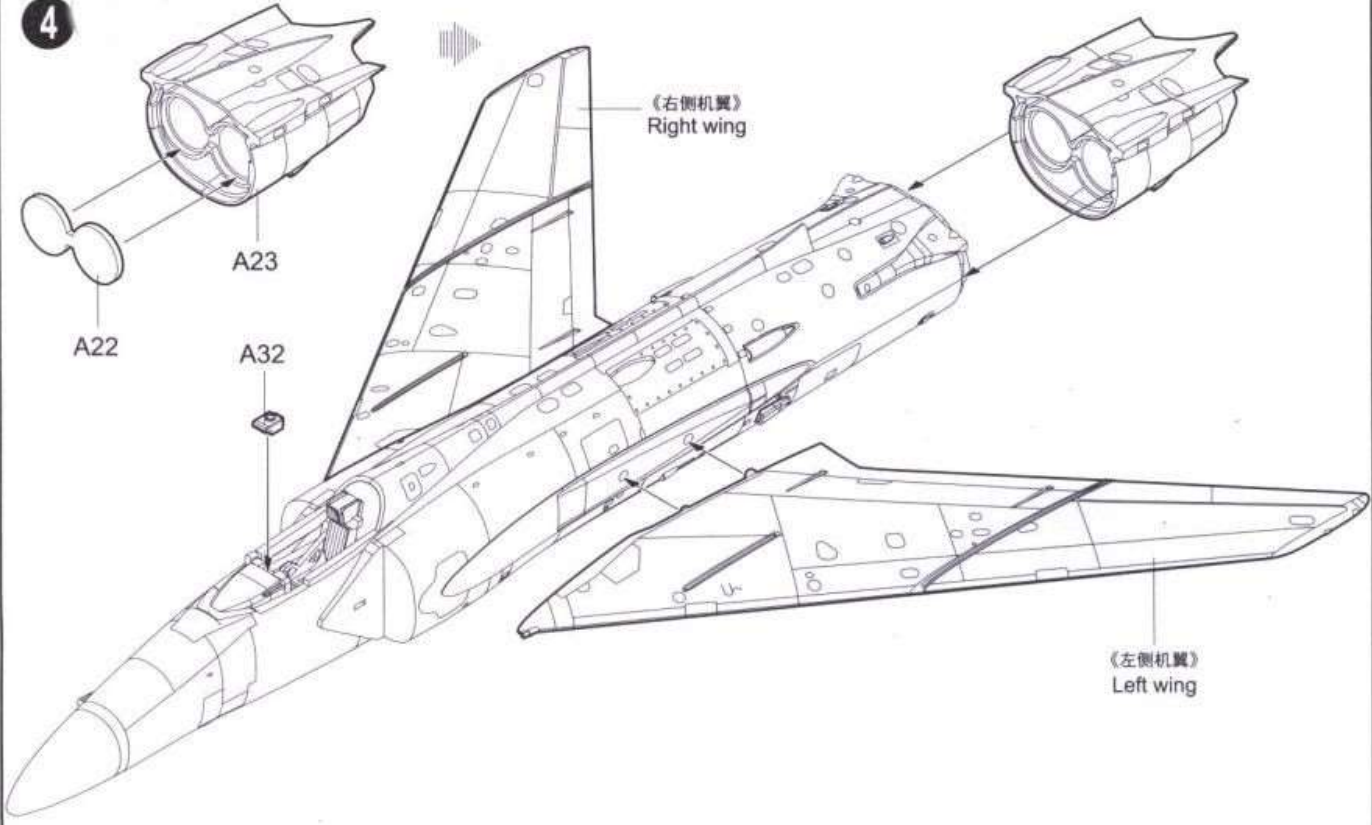


《左侧机翼》
Left wing

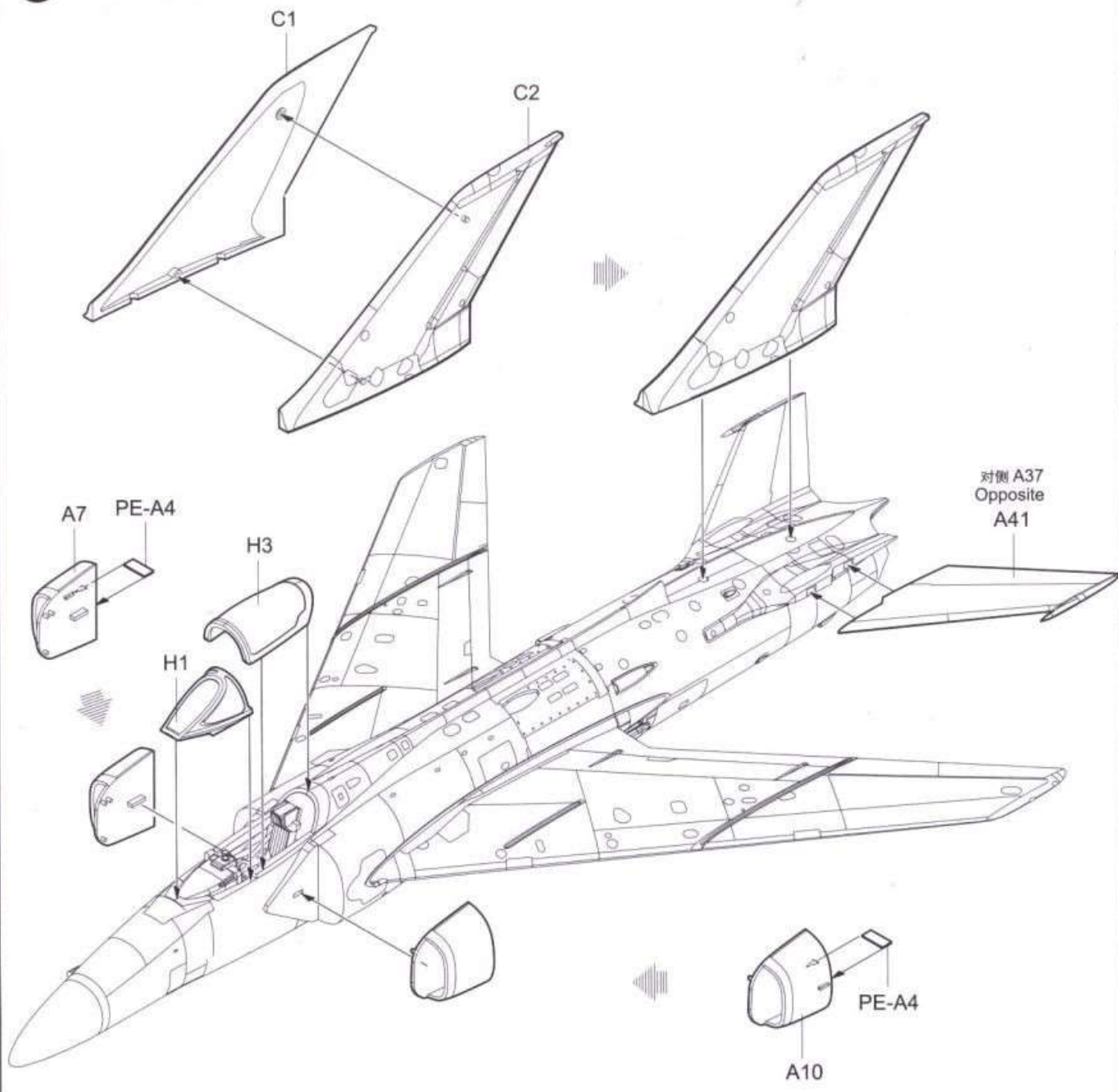


《右侧机翼》
Right wing

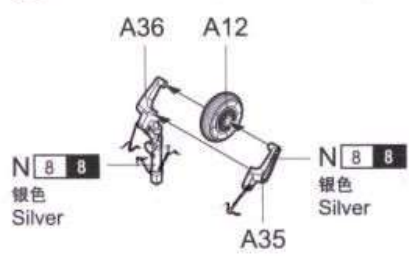
4



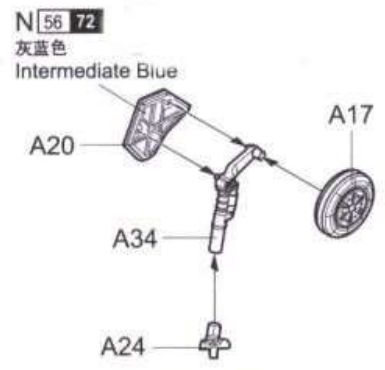
5



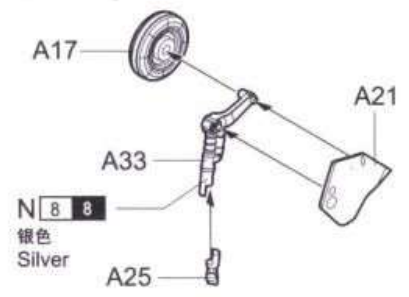
6



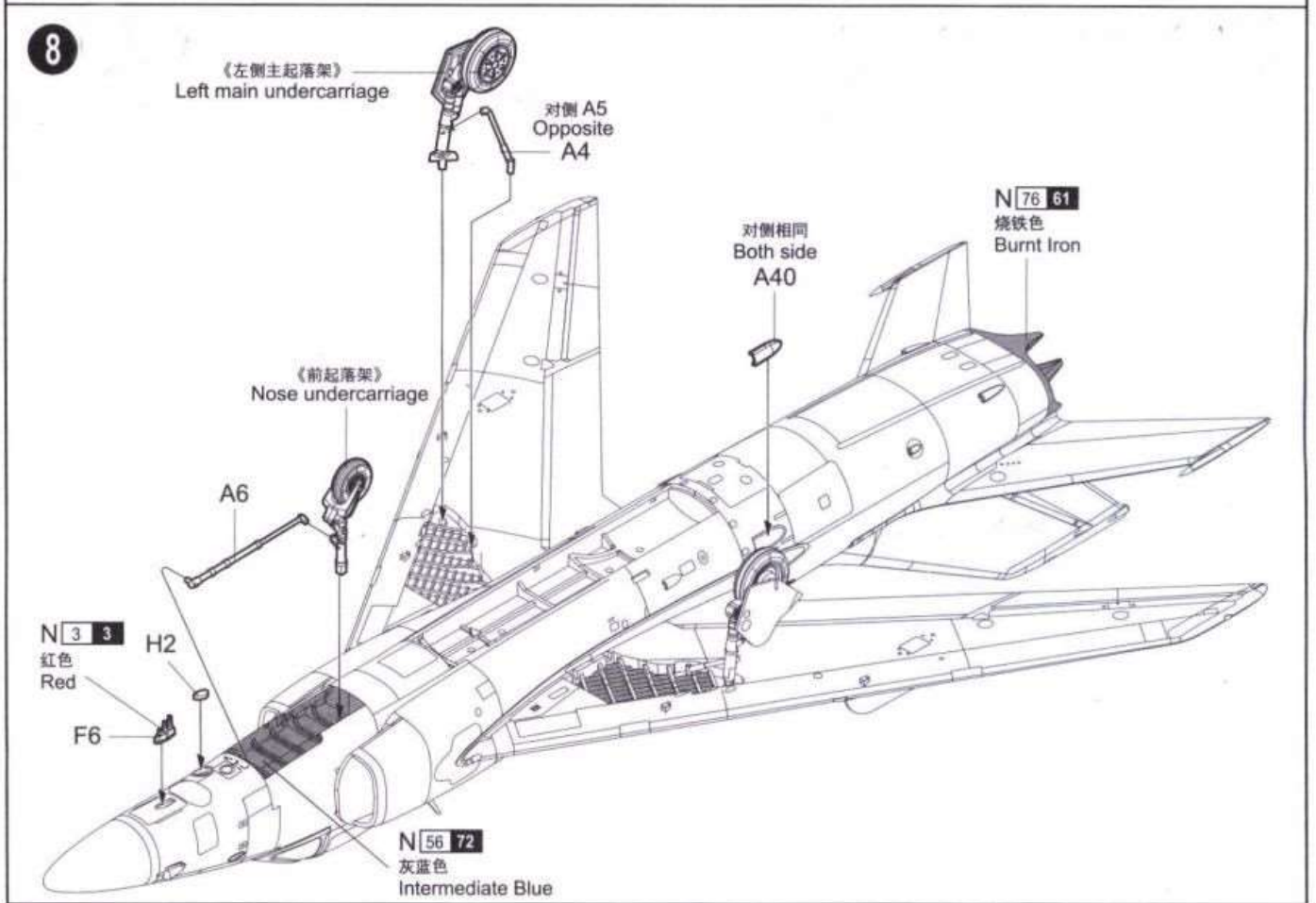
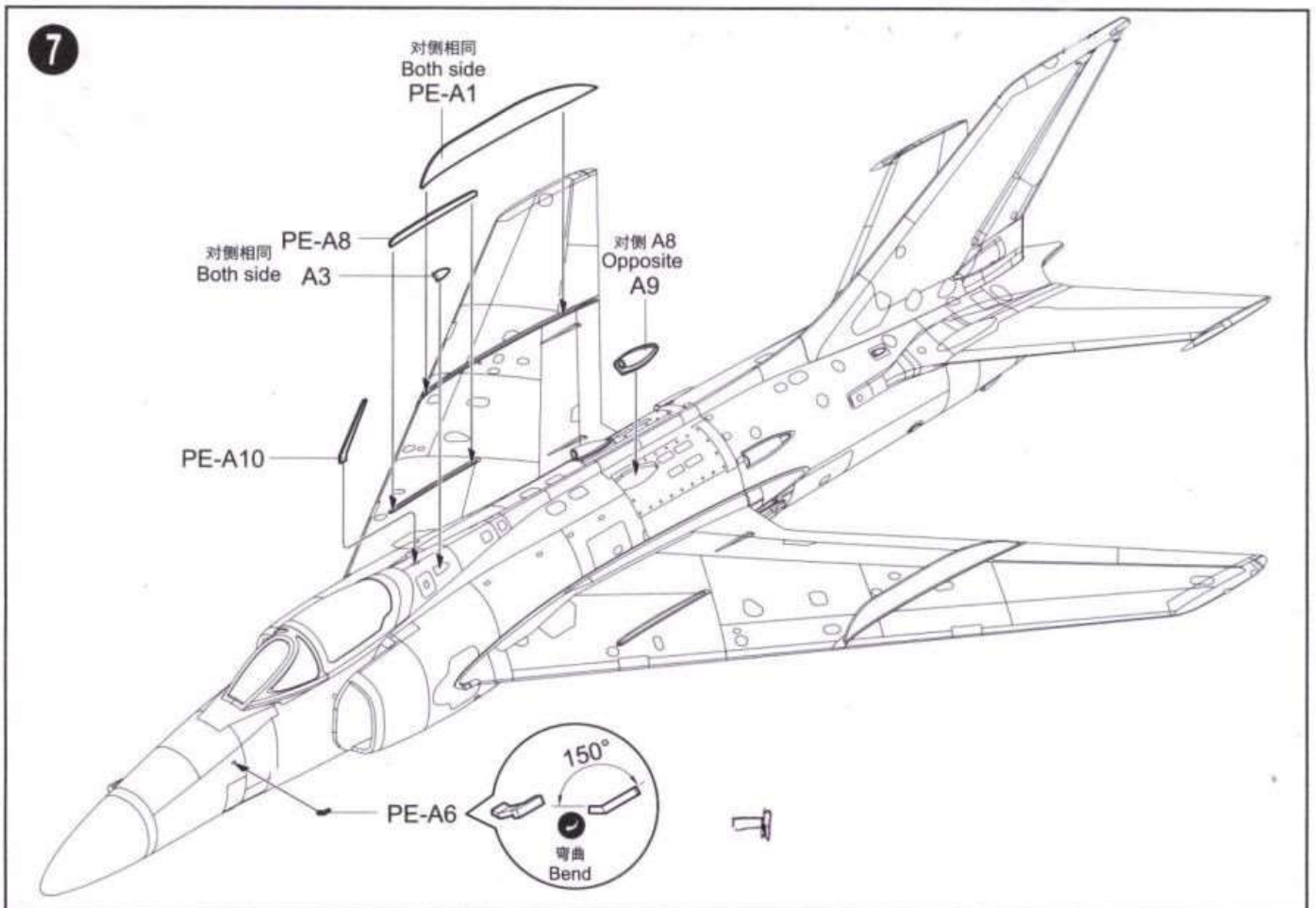
《前起落架》
Nose undercarriage



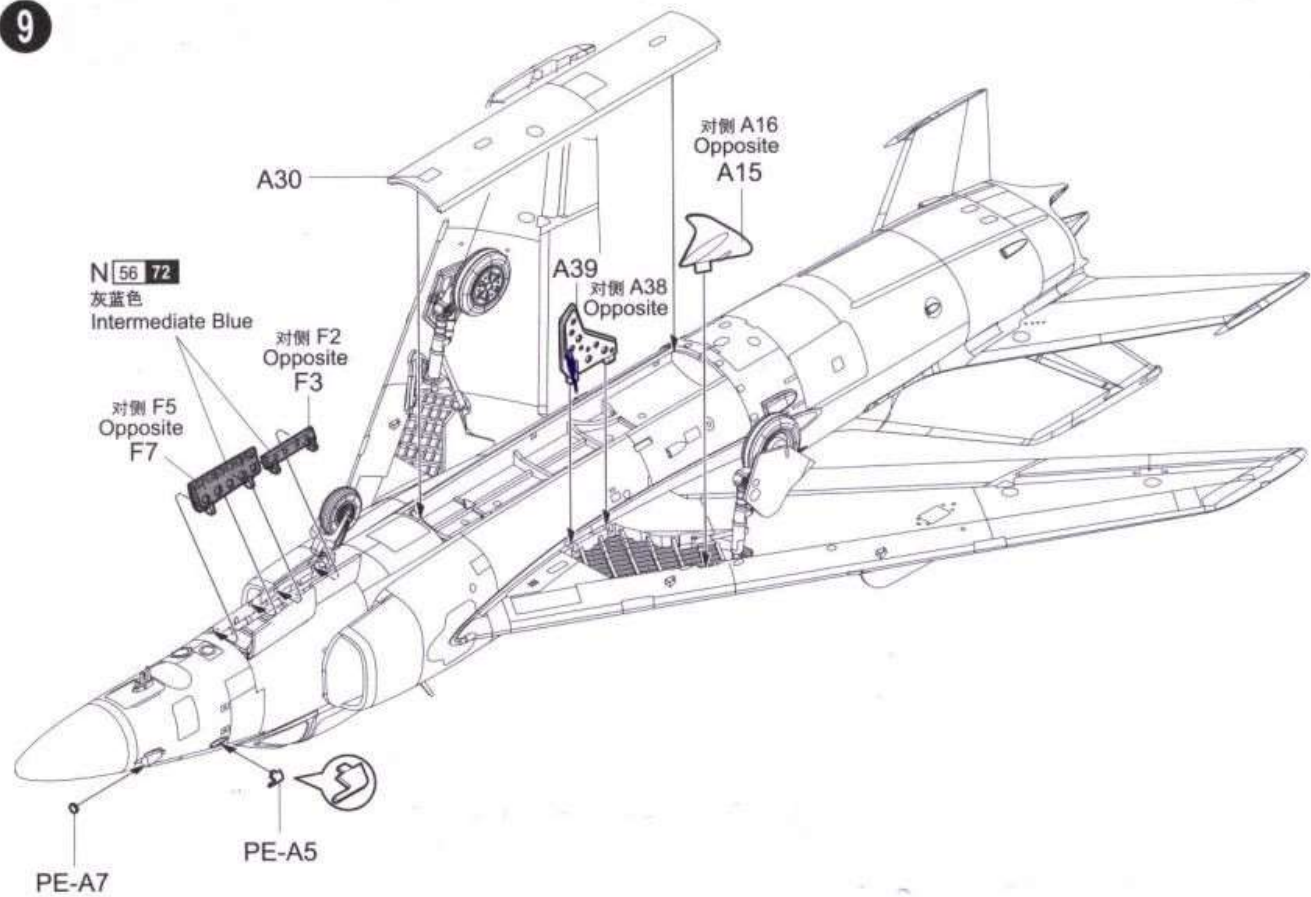
《左侧主起落架》
Left main undercarriage



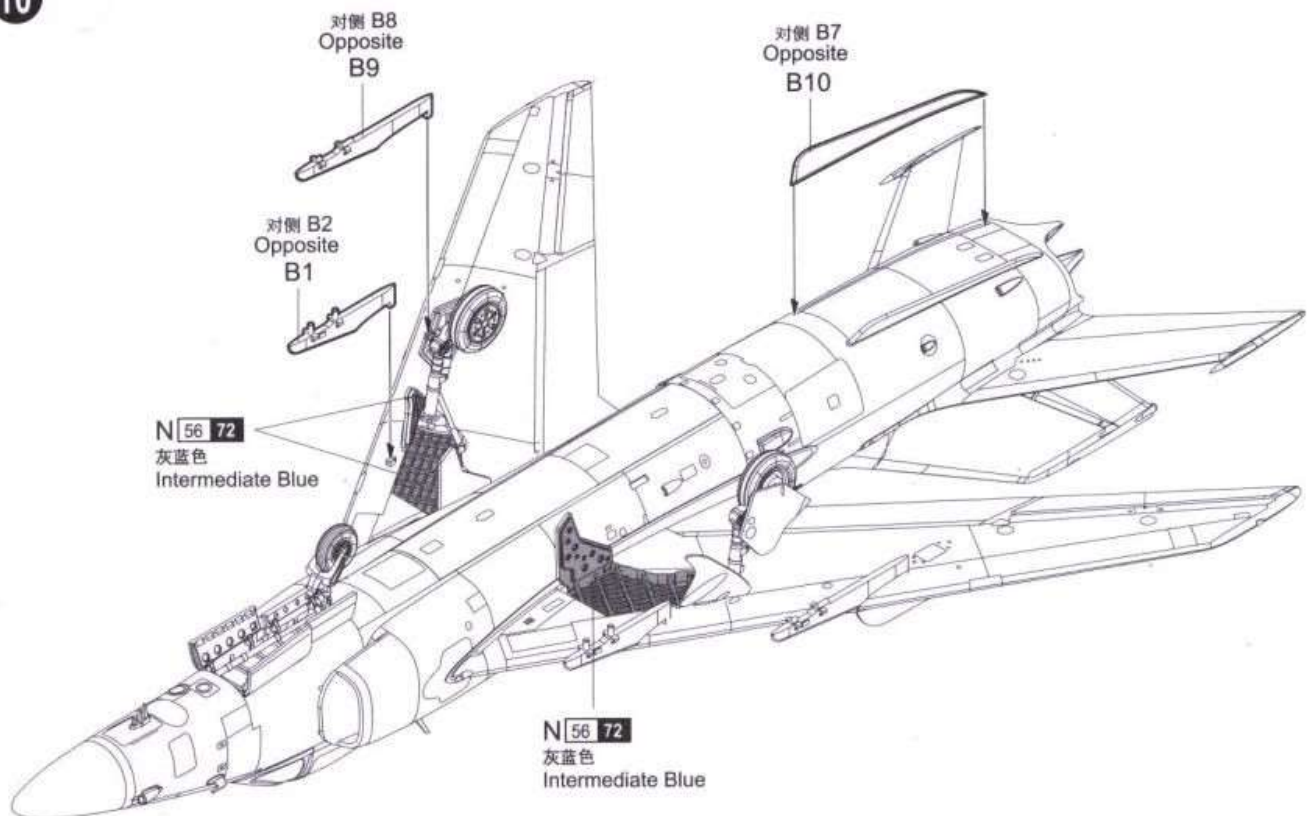
《右侧主起落架》
Right main undercarriage



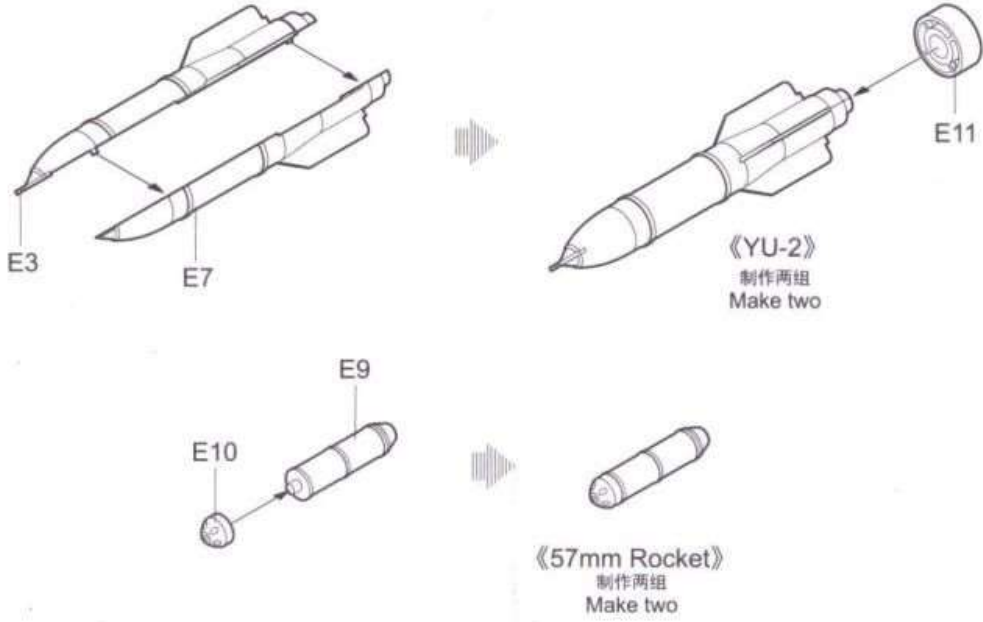
9



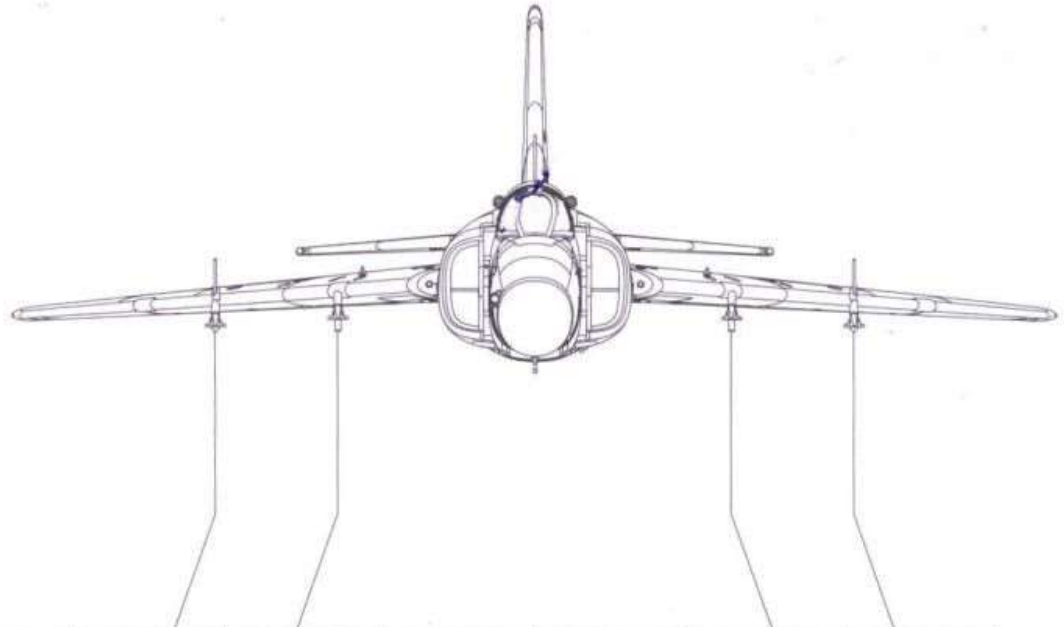
10



11



12



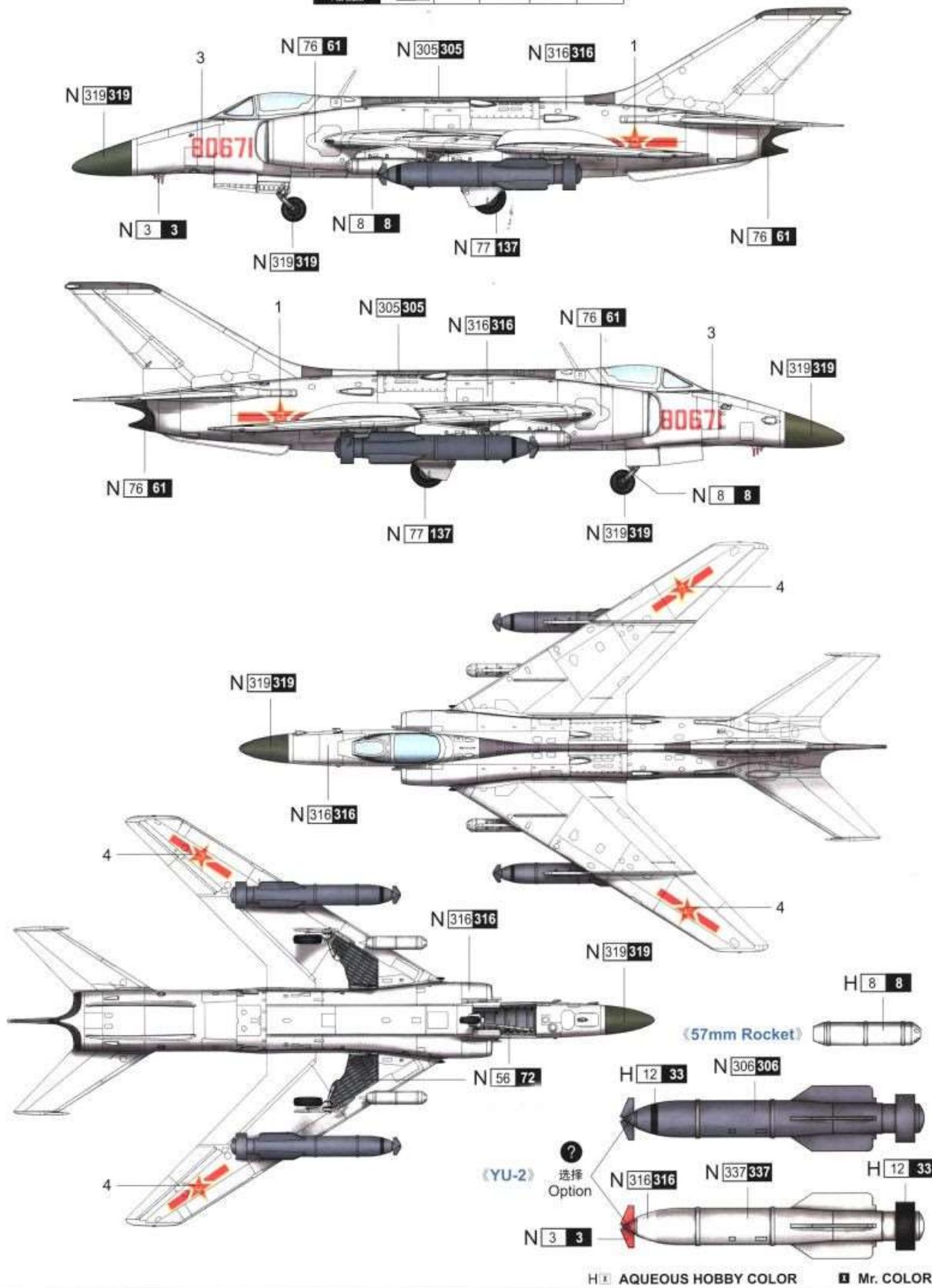
	1	2	3	4	5	6
《YU-2》	●					●
《57mm Rocket》		●			●	

涂装同标贴指示 Painting & Marking guide

A

PAINT REFERENCE COLOUR

Color	Mr.Hobby	Vallejo	Model Master	Tamiya	Humbrol	Color	Mr.Hobby	Vallejo	Model Master	Tamiya	Humbrol
薄荷绿色 Light Green	N 319 319	—	1713	—	117	灰色 Medium Gunmetal Gray	N 305 305	868	1723	XF58	125
白色 White	N 316 316	991	1745	X2	22	银色 Silver	N 8 8	997	1546	X11	11
暗黑色 Tire Black	N 77 137	—	—	—	—	红色 Red	N 3 3	908	1503	X7	19
烧铁色 Burnt Iron	N 76 61	863	1795	X10	53	深蓝色 Intermediate Blue	N 56 72	903	1720	—	144
灰色 Medium Gray	N 306 306	870	1725	XF20	—	浅灰色 Gray Blue	N 337 337	—	1721	XF20	145
纯光黑 Flat Black	N 12 33	950	1749	XF1	33						



涂装同标贴指示 Painting & Marking guide

B

PAINT REFERENCE COLOUR											
Color	Mr.Hobby	Vallejo	Model Master	Tamiya	Humbrol	Color	Mr.Hobby	Vallejo	Model Master	Tamiya	Humbrol
海绿色 Light Green	N 319 319	-	1713	-	117	灰色 Medium Dull Grey	N 306 306	868	1723	XF58	125
白色 White	N 316 316	991	1745	X2	22	银色 Silver	N 8 8	997	1546	X11	11
胎黑色 Tire Black	N 77 137	-	-	-	-	红色 Red	N 3 3	908	1503	X7	19
烧铁色 Burnt Iron	N 76 61	863	1795	X10	53	深蓝色 Intermediate Blue	N 56 72	903	1720	-	144
灰色 Medium Grey	N 306 306	870	1725	XF20	-	深灰色 Grey Blue	N 337 337	-	1721	XF20	145
消光黑 Flat Black	N 12 33	950	1749	XF1	33						

