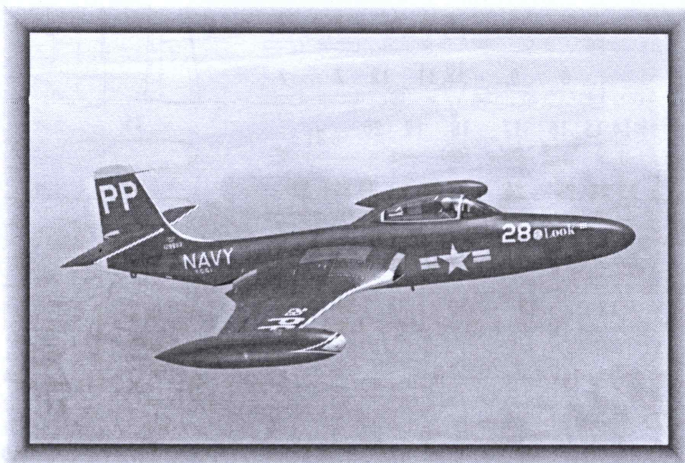


McDonnell F2H-2P Photo Banshee

SW 72078 scale: 1/72

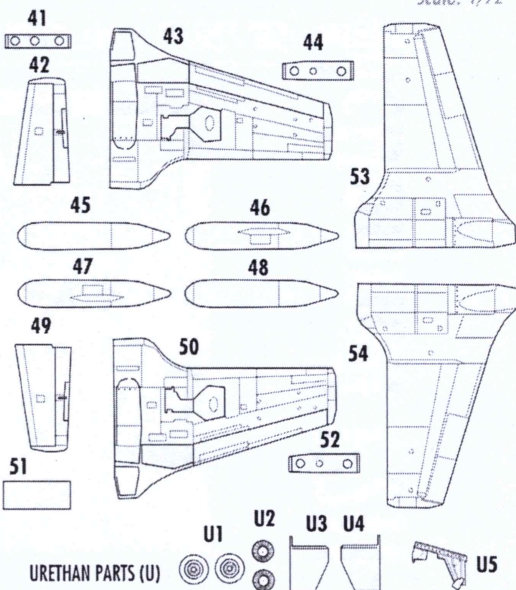
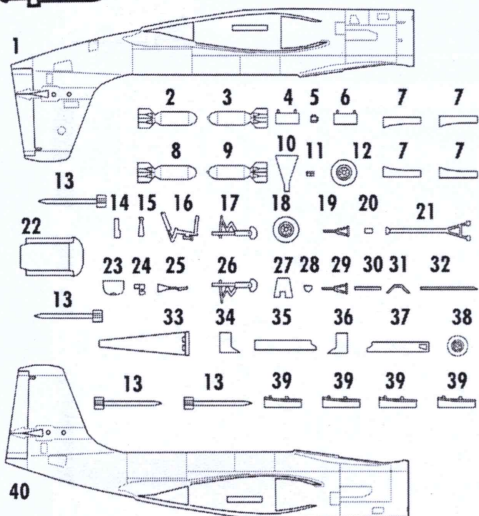


In 1943, the U.S. Navy contracted with McDonnell Aircraft for a single-seat, twin-engine, carrier-based jet fighter that was to become the FH-1 Phantom. It was a first for both the Navy and McDonnell. Although successful, the Phantom was somewhat underpowered. It was soon followed on the production line by the F2H-1 Banshee, which incorporated an ejection seat, additional fuel, more powerful engines, and four 20 mm cannon instead of machine guns. First flight was accomplished on 11 January 1947. Wing-tip-mounted fuel tanks and eight pylons for bombs and rockets were added to the -2 variant, which first flew on 18 August 1949.

Along with the Grumman F9F Panther, the Banshee quickly replaced the existing propeller-driven fighters aboard the U.S. Navy aircraft carriers and was therefore available for combat operations in the Korean War in 1951. Compared to the Panther, it had somewhat better endurance, payload, and altitude performance for strike escort and close air support missions as well as interdiction of enemy trucks and trains. The U.S. Marine Corps also operated the Banshee.

Before combat in Korea, an F2H-1 was used to counter U.S. Air Force claims that its high-flying B-36 could not be intercepted by jet fighters. When the Secretary of Defense denied the Navy's request for trials pitting the Banshee against the Peacemaker, one was modified to carry a camera in the aft fuselage that was used to take a picture of Washington, D.C. from 49,000 feet, demonstrating its altitude capability. Ironically, the F2H-2's first mission during the Korean War was to escort USAF B-29 bombers.

Variants of the F2H-2 were used for photoreconnaissance, nuclear-bomb delivery, and all-weather air defense. It was replaced aboard the carriers with the somewhat larger F2H -3/4 Banshee beginning in 1952, having played a significant role in the U.S. Navy's transition from propeller-driven fighters to jets.



CLEAR PARTS (CP)

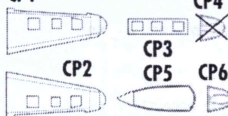


PHOTO-ETCHED PARTS (PP)



URETHAN PARTS (U)



OHNOUT
BEND



VRTAT
OPEN HOLE



VYROBIT
SCRATCH BUILD



VTERINOVÉ LEPIDLO
CYANOACRYLATE GLUE



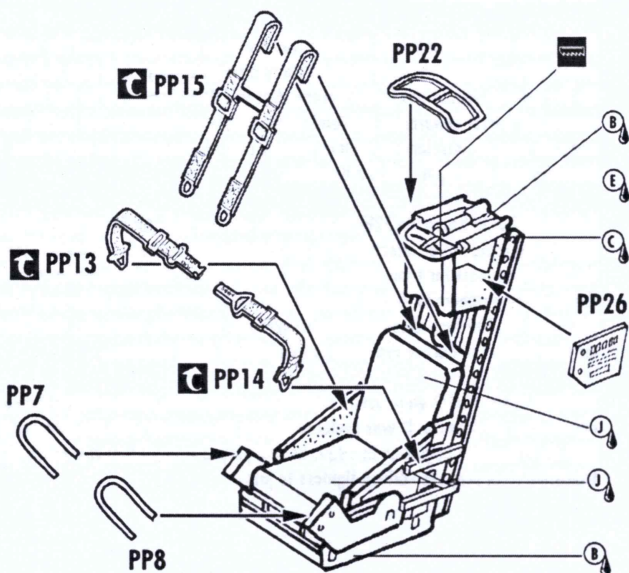
SYMETRICKÁ MONTÁŽ
SYMMETRICAL ASSEMBLY



VOLBA
OPTION



ODSTAR
REMOV



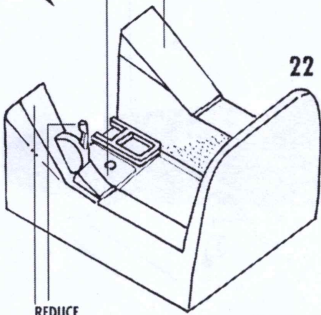
BARVA/COLOR

- A** ČERNÁ/BLACK
- B** INTER. ČERNÁ
INTERIOR BLACK
- C** STŘÍBRNÁ/SILVER
- D** HLINÍK/ALUMINIUM
- E** ČERVENÁ/RED
- F** ŽLUTÁ/YELLOW
- G** ZELENÁ/GREEN
- H** BÍLÁ/WHITE
- I** CHROM/CHROME
- J** HNĚDÁ/BROWN
- K** KOV/GUN METAL
- L** ŠEDÁ/GREY
- M** PNEU/TYRE BLACK

STEP 2

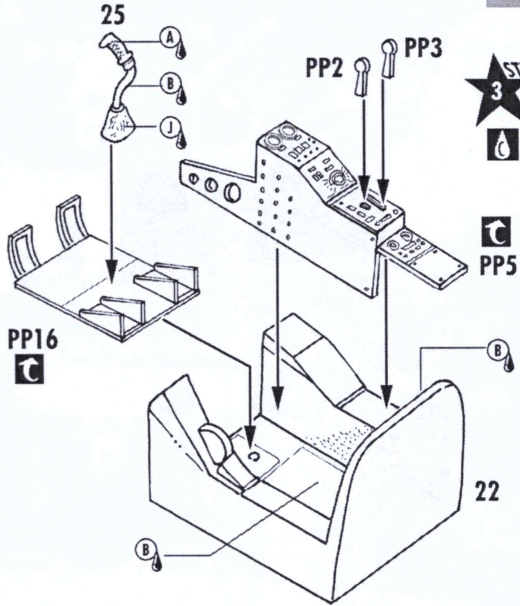
REDUCE

UPRAVIT PŘI POUŽITÍ PP DÍLŮ
MODIFY WHEN USING PP PARTS



REDUCE

UPRAVIT PŘI POUŽITÍ PP DÍLŮ
MODIFY WHEN USING PP PARTS



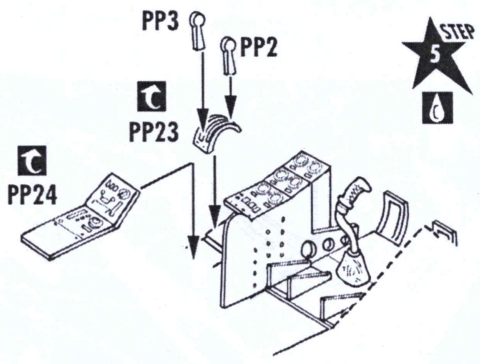
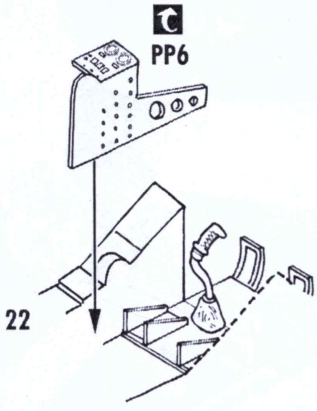
STEP 3



PP5

PP16
REDUCE

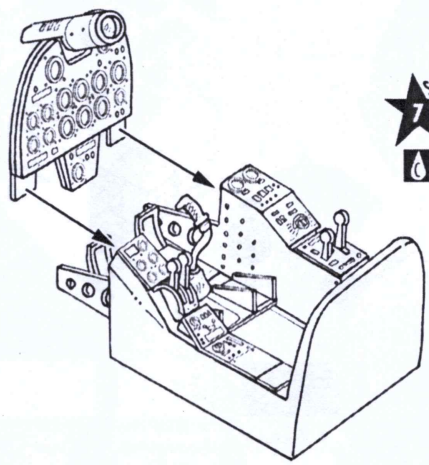
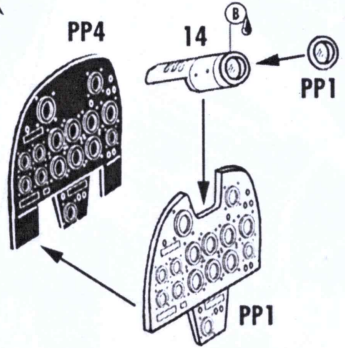
STEP 4



STEP 5

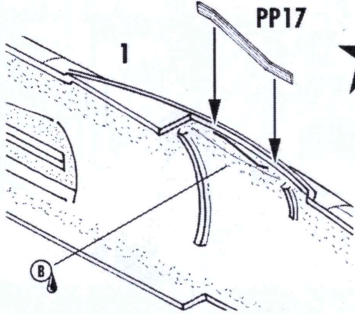


STEP 6

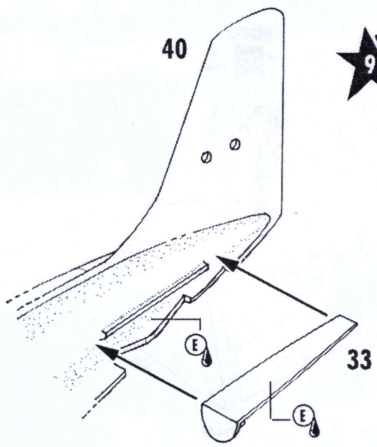


STEP 7

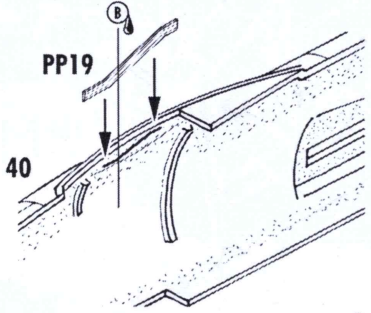




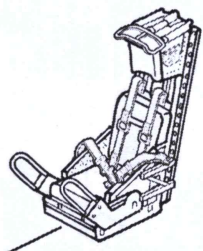
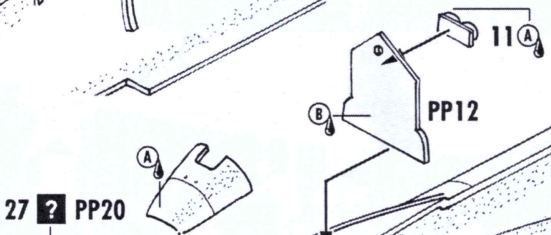
STEP a)
8
C



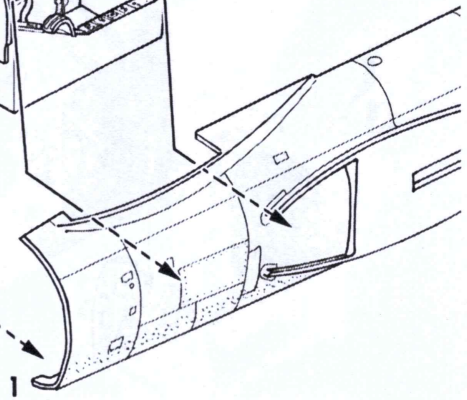
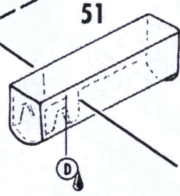
STEP 9

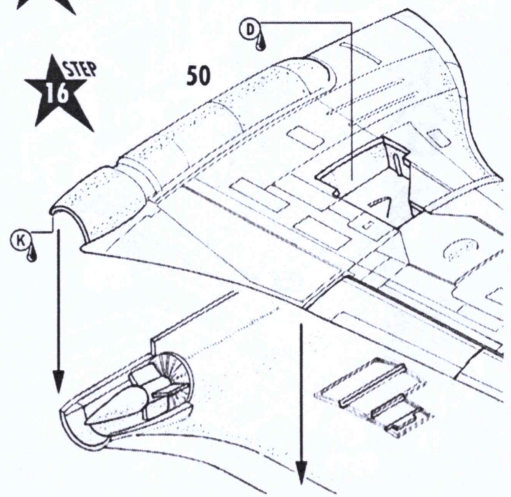
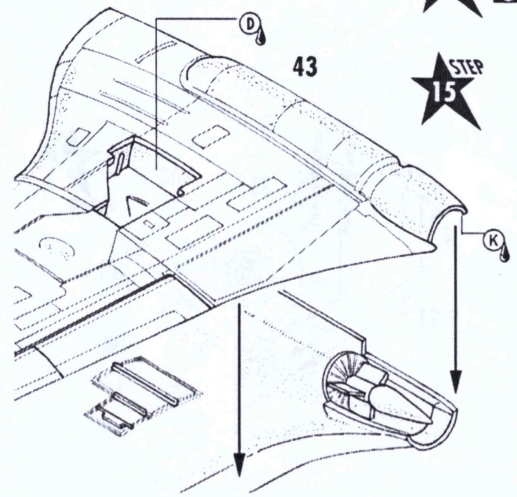
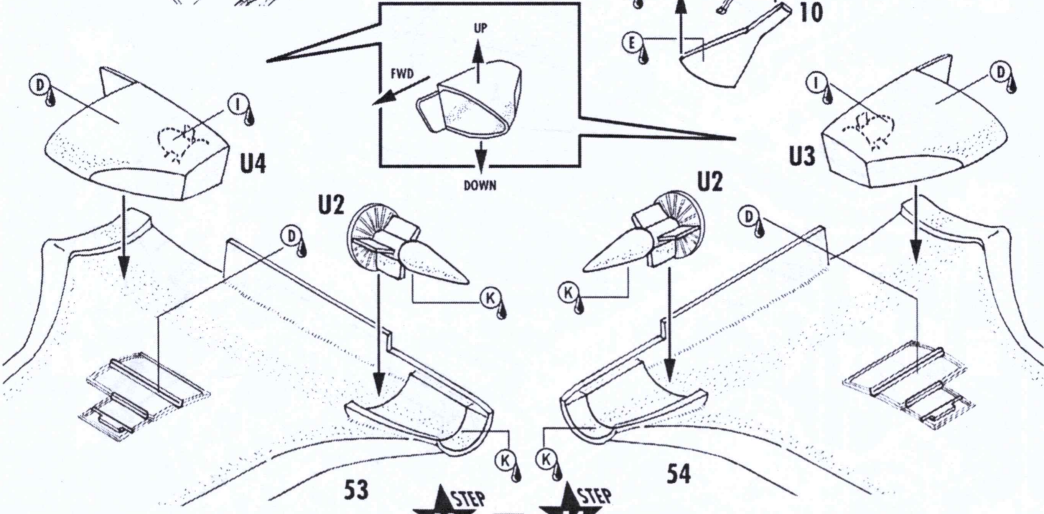
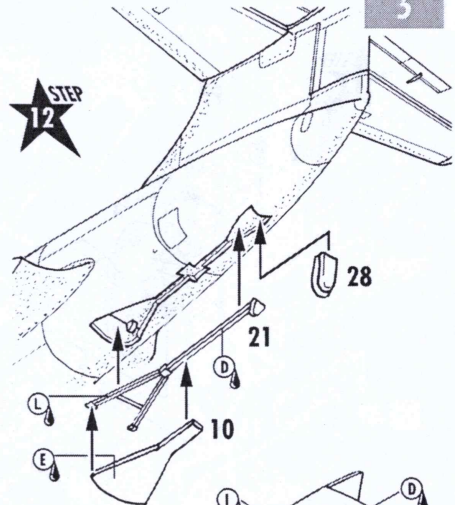
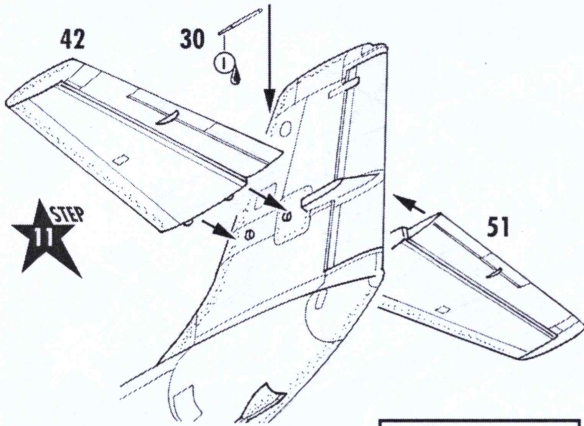


STEP b)
8
C

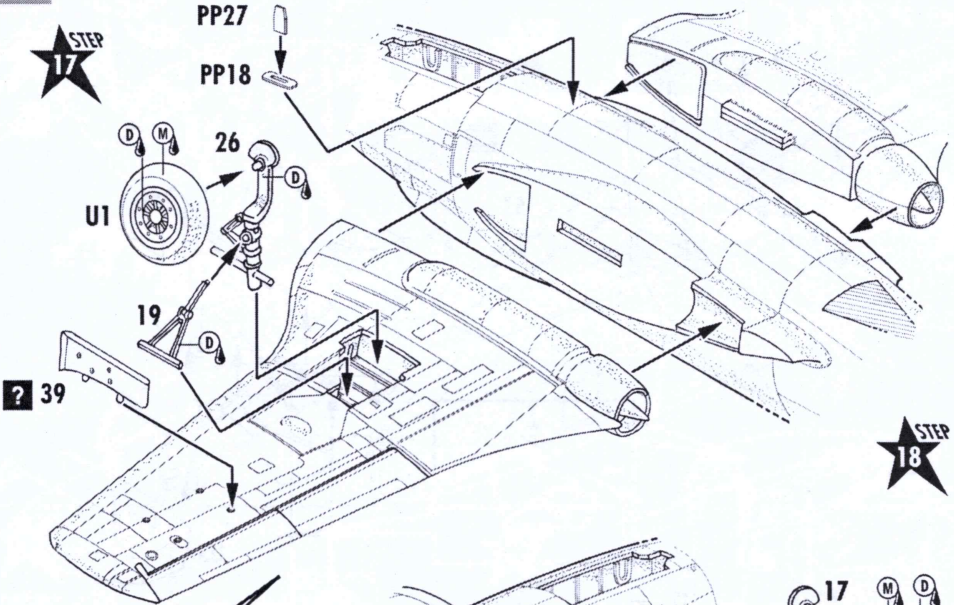


STEP 10
C

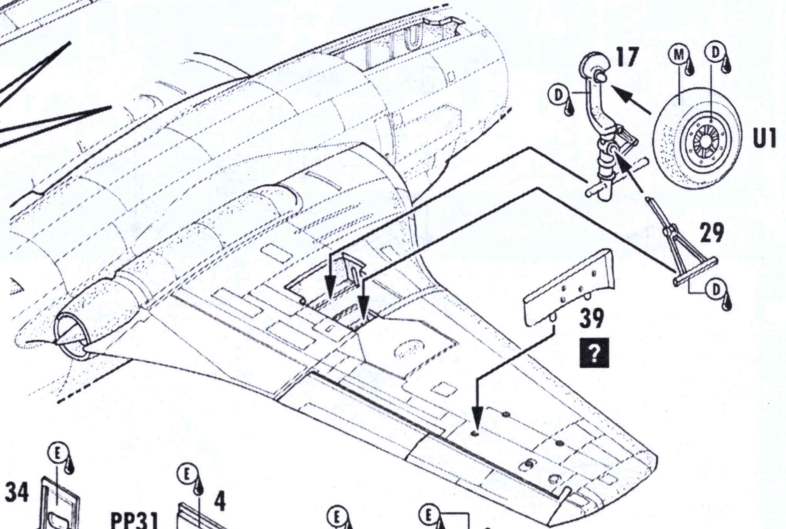
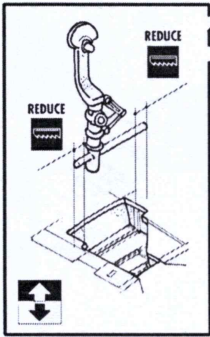




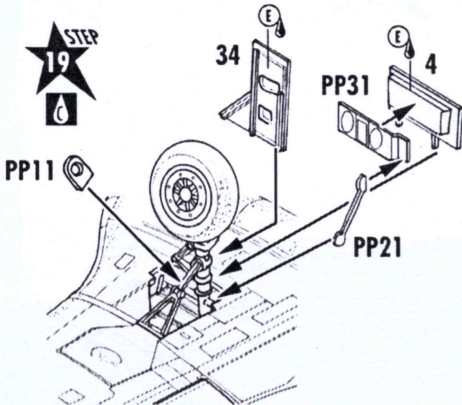
STEP 17



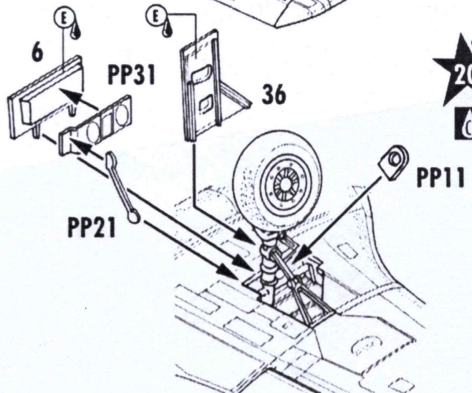
STEP 18

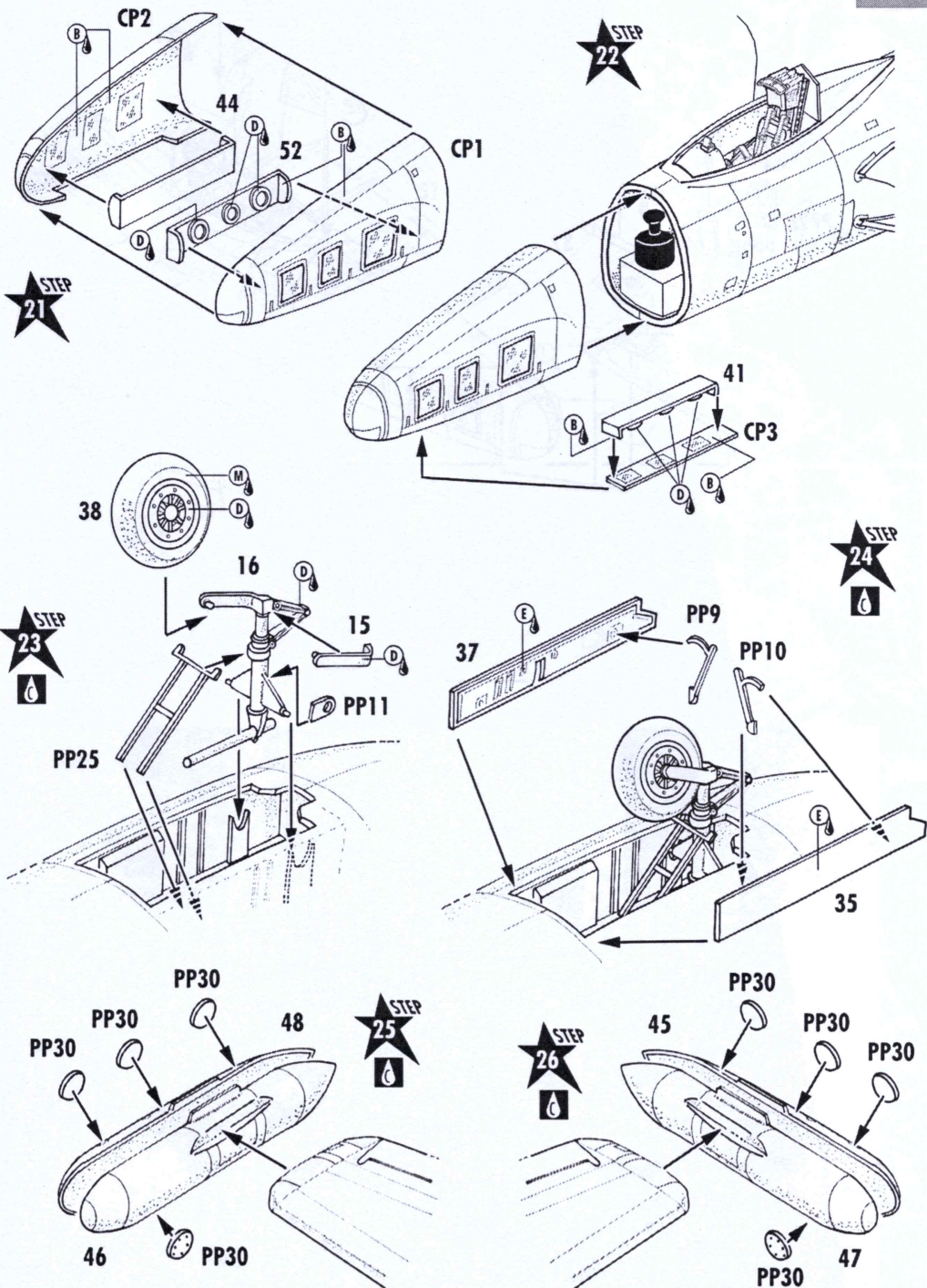


STEP 19

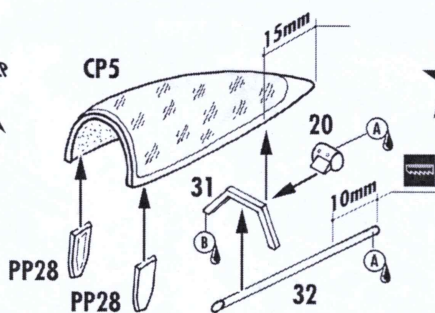


STEP 20

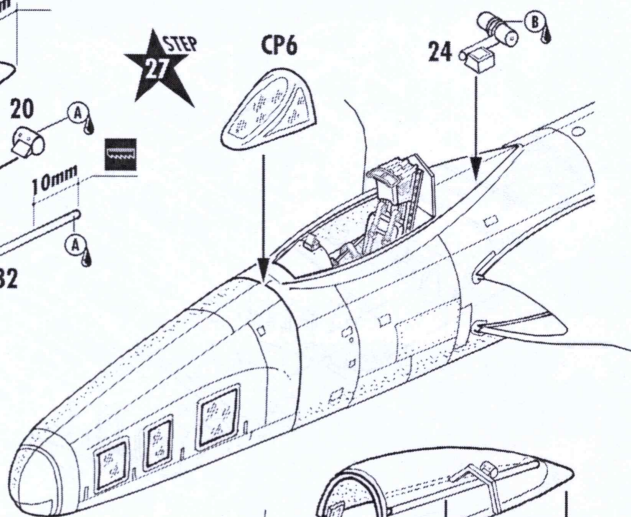




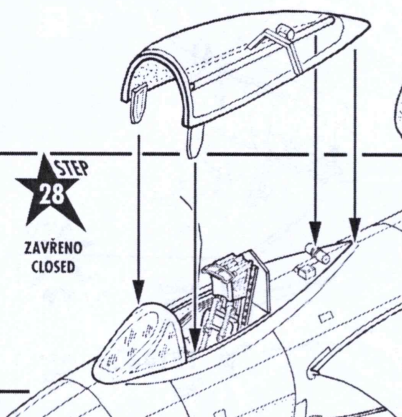
STEP
26
C



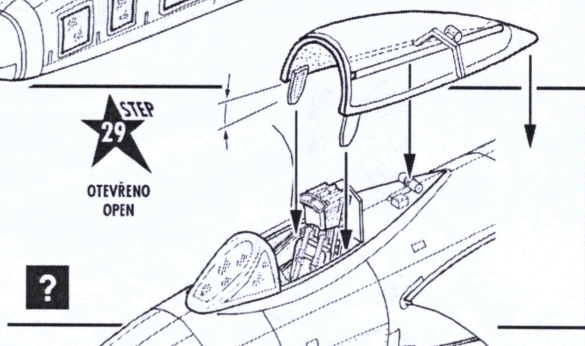
STEP
27



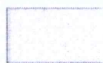
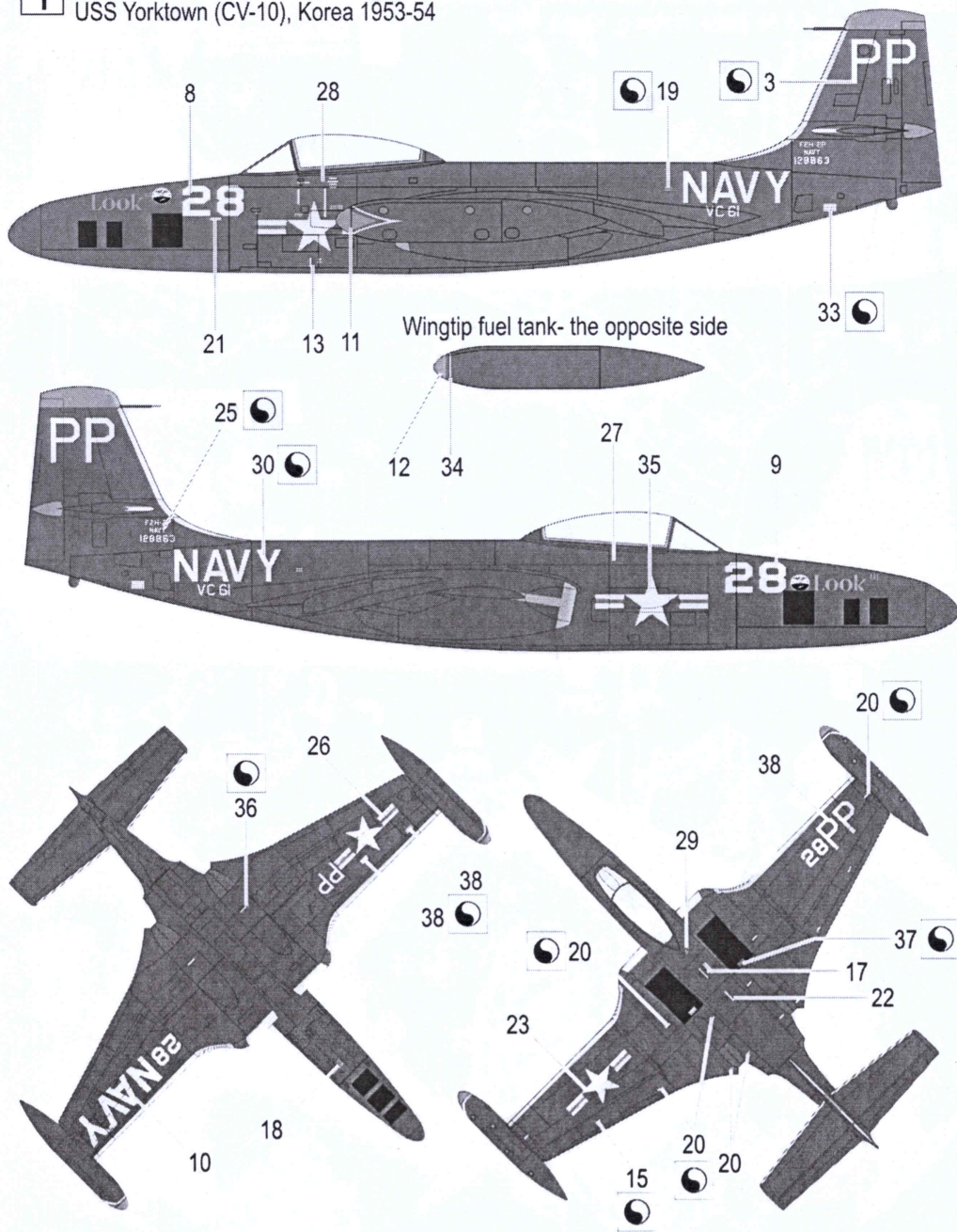
STEP
28
ZAVŘENO
CLOSED



STEP
29
OTEVŘENO
OPEN



1 F2H-2P Banshee, BuNo128863, „Look III”, VC-61,
USS Yorktown (CV-10), Korea 1953-54



Hliník
Aluminium



Lesklá mořská modř
Glossy Sea Blue



Oranžová
Orange Yellow



Ocel
Steel

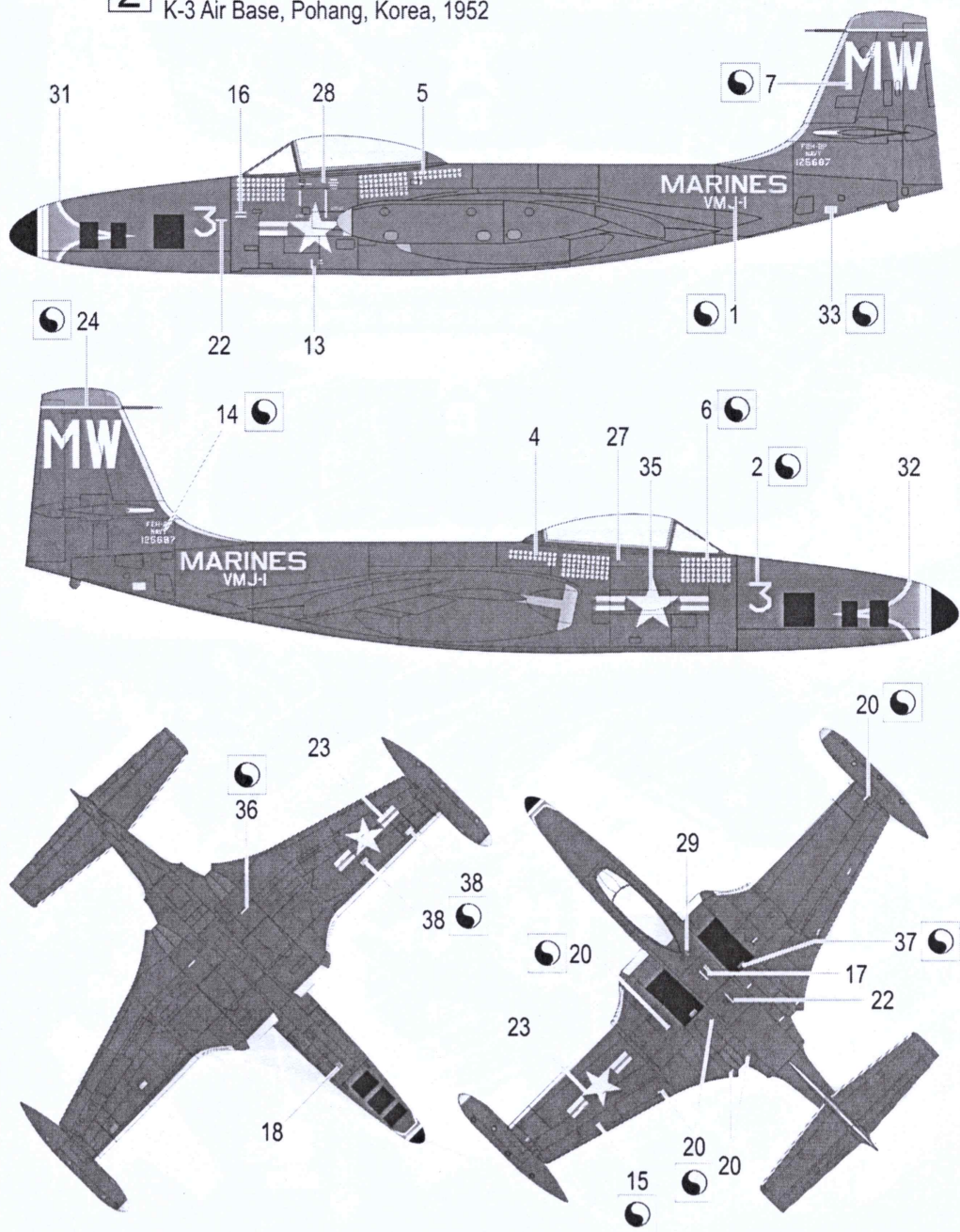


Světle hnědá
Light Brown



Matná černá
Matt Black

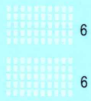
2 F2H-2P Banshee, BuNo125687, U.S.MARINE Corps, VMJ-1,
K-3 Air Base, Pohang, Korea, 1952



Bílá White	Hliník Alluminium	Lesklá mořská modř Glossy Sea Blue	Červená Red	Ocel Steel	Světle hnědá Light Brown	Matná černá Matt Black

MARINES

1 VMJ-I



6

MW 7

MW 7

28 10

NAVY 20

20

MARINES

1 VMJ-I



6



5

8 Look III



28

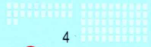
W W PP

2

2

3

3

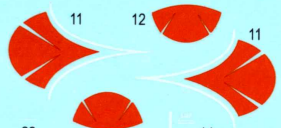


4

28



9 Look III



11

12

11

NAVY PP

VC 6I 30



29



28



27

FOW OF NAVY 128863 25

22

12

13

14

FOW OF NAVY 125687

15

NAVY

30 VC 6I



35



21



23

26

FOW OF NAVY 128863 25

25

19

18

FOW OF NAVY 125687

15

28 PP

31

38

33

34



21



37

37



24



23

38

38

38

20

20

20

20

20

20

SW72078 F2H-2P Banshee

© Printed by Eduard

Made in Czech Republic





F2H-2P, 128863 U.S.NAVY, „Look III“, VC-61, USS Yorktown, Korea 1953-54



F2H-2P, 125687, U.S.MARINE Corps, VMJ-1, Pohang, Korea 1952



1:72

Sword



F2H-2P Photo Banshee

© MMSH