

# B. W. MODELS.

## SENTINEL Mk 1 AIRCRAFT TRACTOR.

The Sentinel Mk 1 Aircraft Tractor started service life in approx. 1961 as the Douglas Tugmaster Aircraft Tractor and with only very minimal alterations then became the Sentinel Aircraft Tractor following a take over of Douglas by the firm of Sentinel. It was used by the RAF primarily as a heavy aircraft towing tractor capable of handling any aircraft with an all up weight up to 200,000 lbs. It carried on in service through until the very late 1970's or even the early 1980's. In use it served around the world on RAF bases and it's normal colour scheme was either RAF blue, with yellow bonnet roof, side panels and front bumper or the later standard NATO green with yellow stripes.

### GENERAL NOTES.

Please read all the instructions carefully before commencing assembly. Clean all the flash and sprue marks from the pieces before assembly. A trial fit of parts prior to final location may also prove helpful. The model can be assembled using either Superglue, 5 minute epoxy adhesive or Low Melt Solder. The kit contains 21 pieces including a piece of acetate for glazing purposes. Below is a suggested method of assembly.

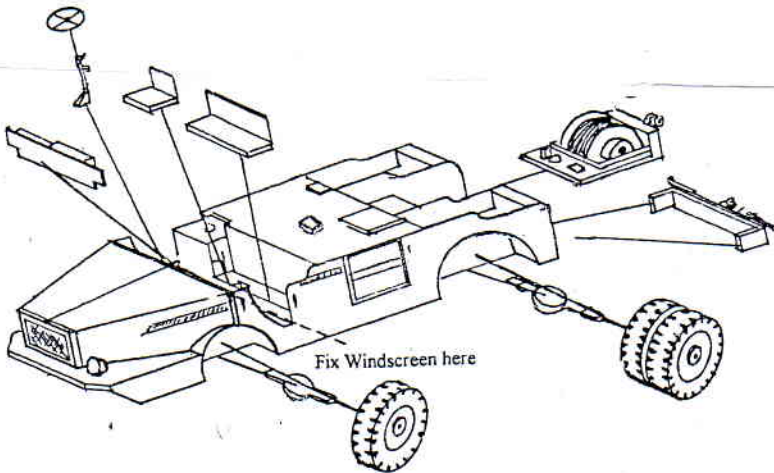
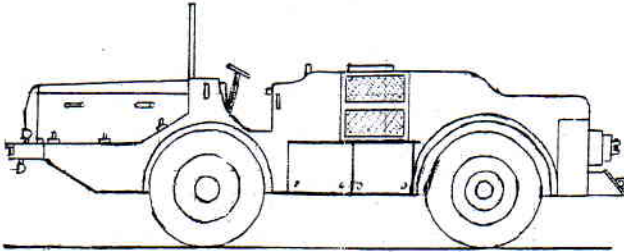
### ASSEMBLY INSTRUCTIONS.

- 1). Fit the 2 body halves together. When set, a small amount of filler may be necessary to seal and small gap between the body halves.
- 2). Fit the 2 axles to the underside of the body.
- 3). Fit the wheels to the axles.
- 4). Fit the dash panel to the cab front wall.
- 5). Fit the steering wheel to the top of the steering column.
- 6). Fit the 2 seats into the cab compartment.
- 7). Fit the steering wheel unit onto the front of the cab floor in front of the drivers seat.
- 8). Fit the winch gear platform into the open rear body compartment. The rear of the winch assembly extending past the rear body wall.
- 9). Fit the earth spade unit into the space at the rear of the body, underneath the winch gear platform.
- 10). Fit the tow hook to the centre of the earth spade assembly.
- 11). Fit 2 headlights to their location points on the top of the front bumper.
- 12). Fit a spotlight to it's location point on the underside of the front bumper.
- 13). Glaze the windscreen then fix it into place, either vertically or folded forward over the front bonnet.

### PARTS LIST.

Front body unit.	Rear body unit.	Axle x 2.	Front wheel x 2.
Rear wheel x 2.	Dash panel.	Steering wheel.	Steering column.
Drivers seat.	Passengers seat.	Windscreen.	Winch platform assembly.
Earth spade unit.	Tow hook.	Headlight x 3.	Acetate.

### Sentinel Aircraft Tractor Mk 1.



It is hoped you enjoyed building this kit, It is one of an ever growing range.

If you have any query, complaint or suggestions for future kits, please contact the address below.

If you would like an up to date price list, send an A5 Stamped Self Addressed Envelope to:-

**B. W. MODELS, Hillcrest, Kirk Brae, Cuminestown, Turriff AB53 5YZ,  
Aberdeenshire.**