



SUKHOI SU-17M2

MULTI-MEDIA CONVERSION SET
COMPRIZES 3D PRINTED, RESIN (CLEAR AND GREY) AND METAL PARTS

VMKC 72003

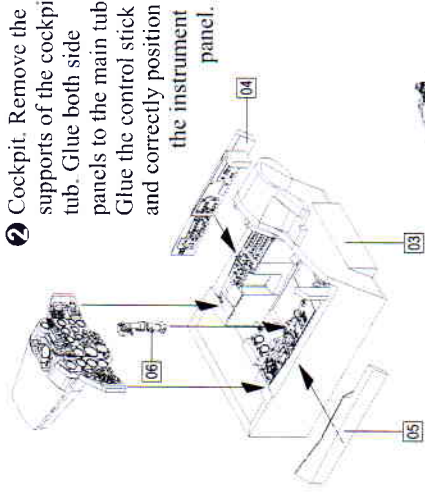
ATTENTION
3D PRINTED PARTS ARE FRAGILE AND REQUIRE CAREFUL HANDLING. USE A SMALL SAW TO REMOVE PARTS FROM THE SUPPORTS, THEN SAND IF NECESSARY. USE SUPERGLUE TO FIX PARTS IN PLACE.

NOTE
Use VMKC 72002 and VMKC 72001 together with this conversion set to build the Su-17M2D or Su-22 "Filter F" used by the Iraqi, Libyan, Yemeni and Peruvian air forces.

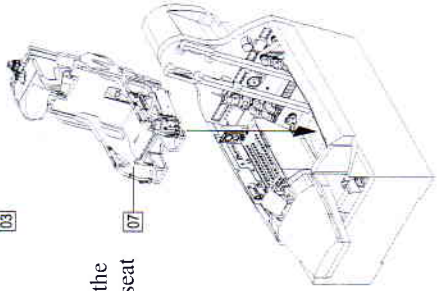
COCKPIT



1 Instrument Panel. Glue the instrument panel and HUD dashboard together. A clear part is provided for the HUD glass.

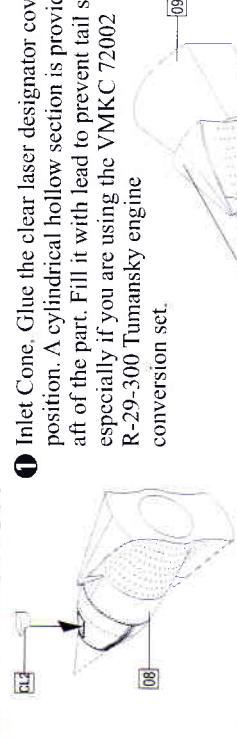


2 Cockpit. Remove the supports of the cockpit tub. Glue both side panels to the main tub. Glue the control stick and correctly position the instrument panel.

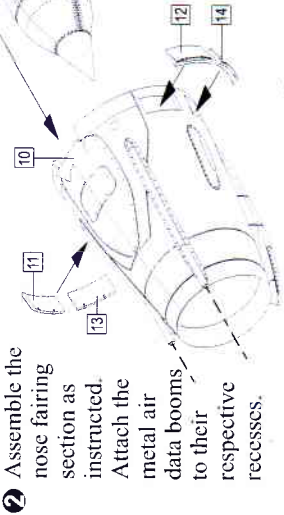


3 Finally, attach the KS-4 ejection seat to the finished cockpit tub.

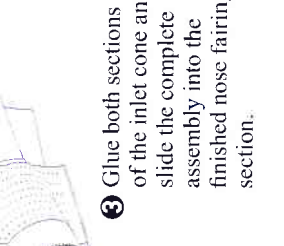
NOSE SECTION



1 Inlet Cone. Glue the clear laser designator cover in position. A cylindrical hollow section is provided aft of the part. Fill it with lead to prevent tail sitting, especially if you are using the VMKC 72002 R-29-300 Tumansky engine conversion set.

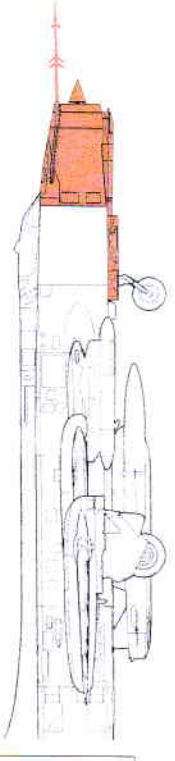


2 Assemble the nose fairing section as instructed. Attach the metal air data booms to their respective recesses.



3 Glue both sections of the inlet cone and slide the complete assembly into the finished nose fairing section.

FORWARD FUSELAGE (2)

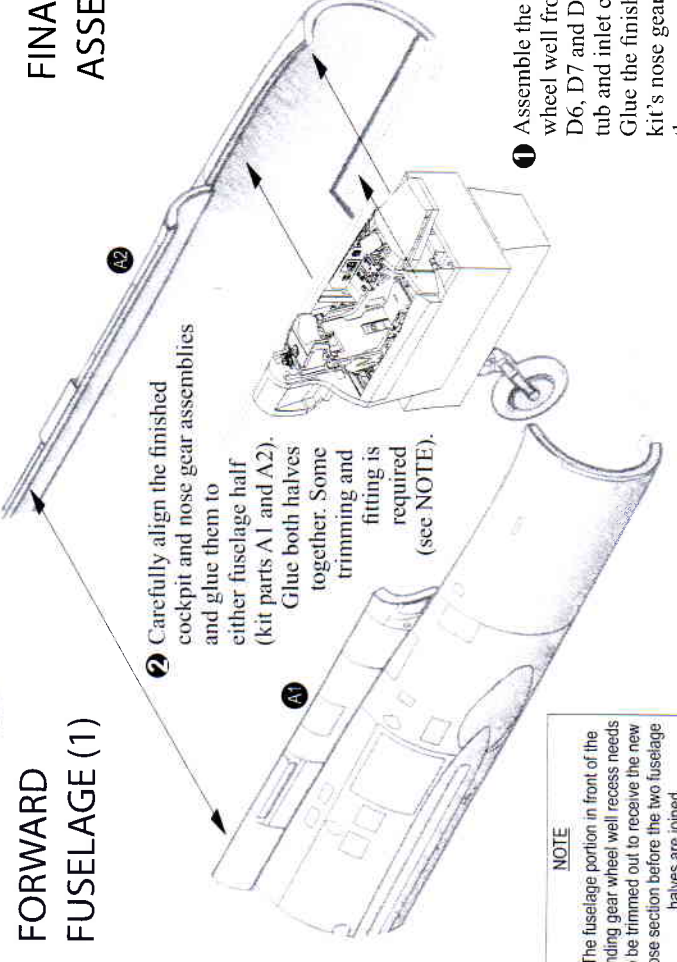


1 Glue the finished nose section to the main forward fuselage assembly.



2 Glue the clear canopy (kit part 13) to the finished forward fuselage section.

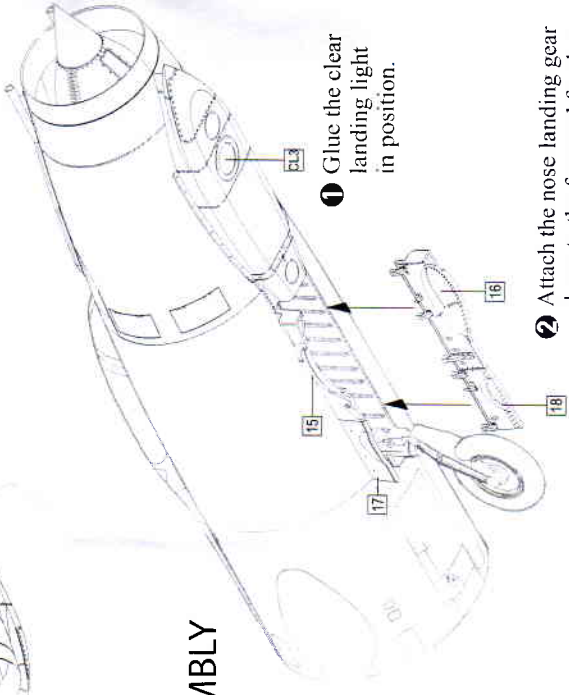
FORWARD FUSELAGE (1)



2 Carefully align the finished cockpit and nose gear assemblies and glue them to either fuselage half (kit parts A1 and A2). Glue both halves together. Some trimming and fitting is required (see NOTE).

NOTE
The fuselage portion in front of the landing gear wheel well recess needs to be trimmed out to receive the new nose section before the two fuselage halves are joined.

FINAL ASSEMBLY



1 Glue the clear landing gear doors in position.

2 Attach the nose landing gear doors to the forward fuselage section. Glue the hinges to the inner side walls of the wheel well.

1 Assemble the nose landing gear wheel well from kit parts D1, D2, D6, D7 and D15. Delete the cockpit tub and inlet cone sections accordingly. Glue the finished cockpit tub to the kit's nose gear well. Build and attach the nose gear from the kit.

Design and main parts casing proudly made in Peru

DESIGNED FOR MODELSVIT
1:72 SUKHOI SU-20 KIT