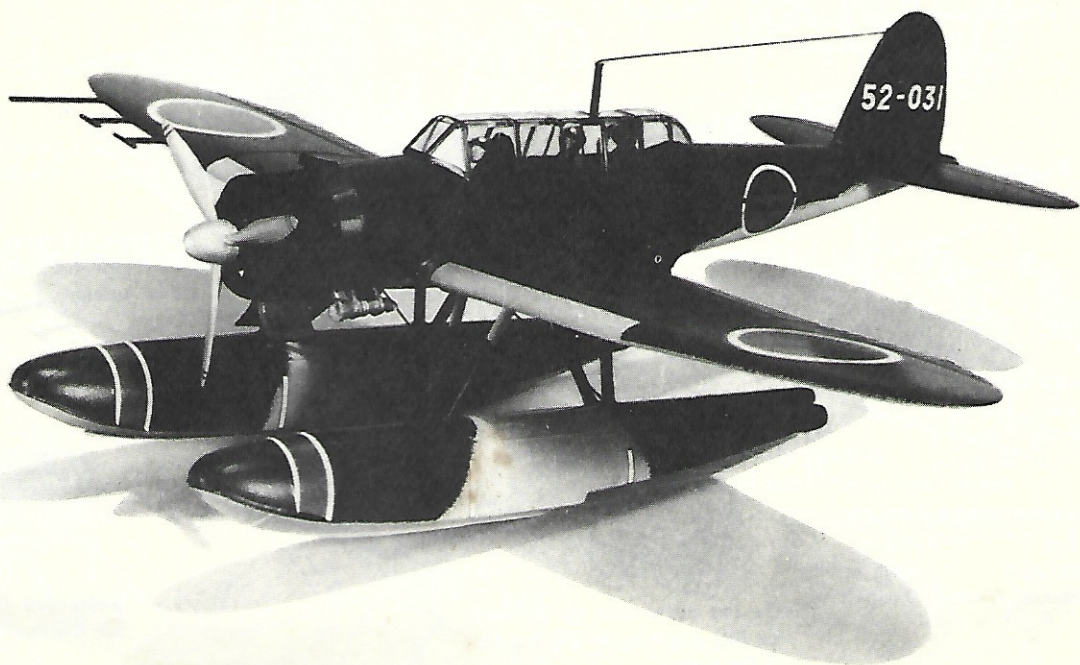


AICHI E13A1 TYPE-ZERO "JAKE"



1/72 Scale Series Kit No JS-056

Former Japanese Navy Scout Sea Plane



In the early morning of December 7, 1941, "JAKE" were catapulted from cruisers Chikuma, Kinugasa and Tone, of the Combined Fleet, to scout and gather the information on the disposition of the U.S. Fleet in Pearl Harbor. This scouting performance merited a great contribution in the attack of Pearl Harbor.

In December 1940, formally replacing the Type-94 Scout Sea Plane, they were assigned to the front line service. Among the many types of sea planes this Type-Zero 3 seats scout sea plane produced in great quantity and had played a great part throughout the Great War, as a scout plane. From the beginning of the War, she was assigned with the tactical force in the South and with the naval operation up to the Aleutian island.

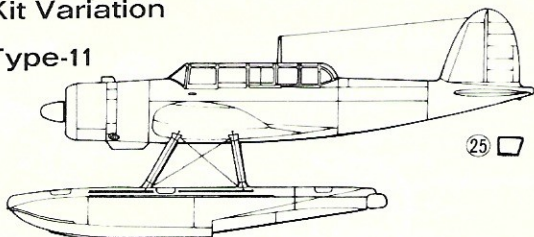
Other than for scouting, she was also used for patrol, attack, transportation, rescue and escort purpose. 1400 planes, of these types, was produced up to the end of the War: (1) Type-11... Serviced in December 1940, Floats supported by 4 struts and reinforced with tension wire. (2) Type-11A... Serviced in 1944, No.6 Radio Apparatus Type 4 was installed, floats supported with 8 struts. (3) Type-11B... Serviced in 1944, radar antenna installed on the main wing and fuselage, floats supported with 8 struts.

Data

Overall Width	: 14.50m	Max. Speed	: 376km/2,180m
Overall Length	: 11.268m	Ceiling	: 8,730m
Overall Height	: 4.78m	Crew	: 3
Weight (fully armed)	: 3,650kg	Cruising Range	: 2,090km
Engine	: Mitsubishi KINSEI Type 43		
Armament	: Machine Gun (7.7mm x 1), Bomb (250kg x 1, or 60kg x 4)		

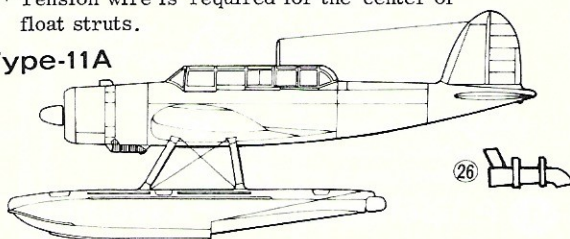
Kit Variation

Type-11



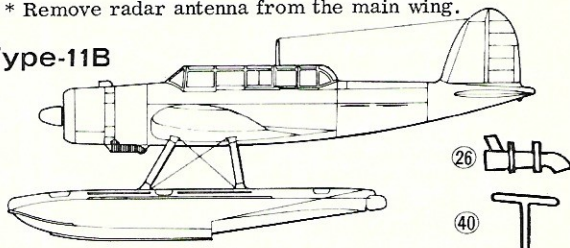
* Tension wire is required for the center of float struts.

Type-11A



* Use float inside strut (38) (39).
* Remove radar antenna from the main wing.

Type-11B

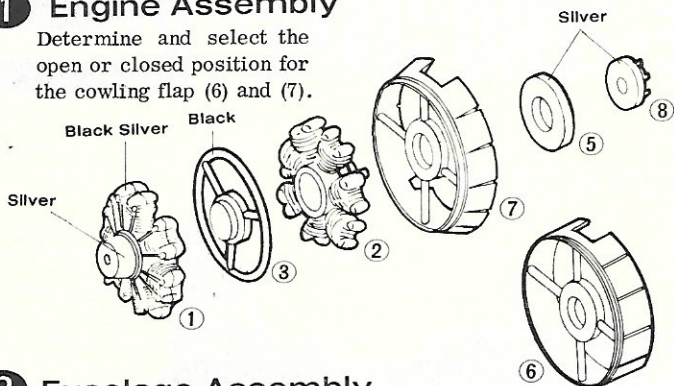


* Use float inside strut (38) (39).

Select one of the above Type and begin the assembly.

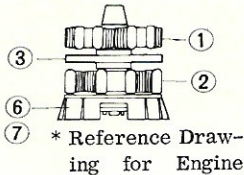
1 Engine Assembly

Determine and select the open or closed position for the cowling flap (6) and (7).



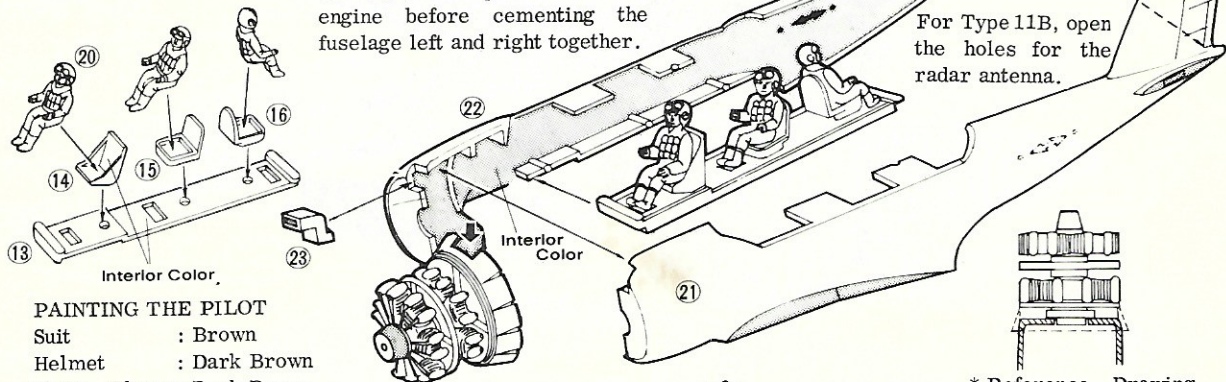
Before Assembling Your Kit

- * Read the instruction carefully before assembling and follow the instructions.
- * Do not tear off the parts from the stem, but cut them off carefully with nippers or tinsnips.
- * Other than specified, use semi gloss or mat finish paint for plastic.



2 Fuselage Assembly

Cement the cockpit floor and the engine before cementing the fuselage left and right together.



For Type 11B, open the holes for the radar antenna.

* Reference Drawing for Engine Assembly

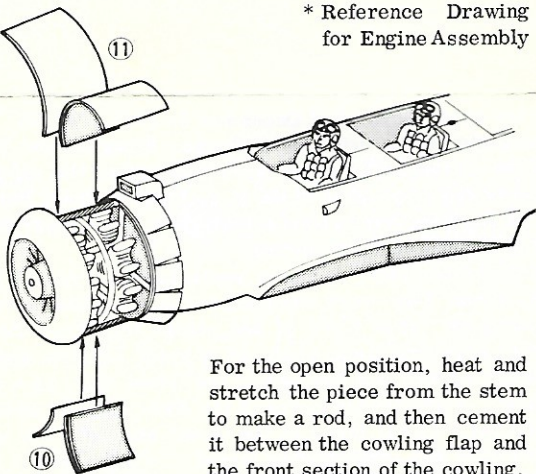
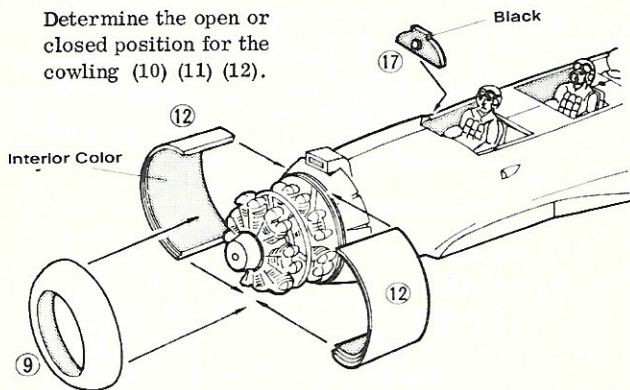
PAINTING THE PILOT

- Suit : Brown
- Helmet : Dark Brown
- Shoes, Gloves: Dark Brown

The cut out section on the cowling flap must be on the top side of the engine.

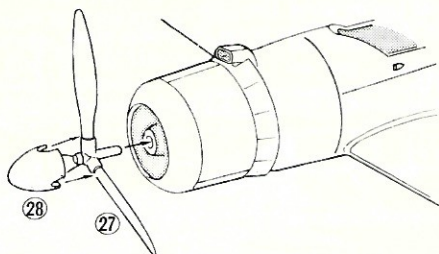
3 Cowling Assembly

Determine the open or closed position for the cowling (10) (11) (12).



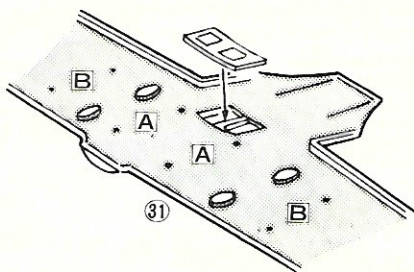
For the open position, heat and stretch the piece from the stem to make a rod, and then cement it between the cowling flap and the front section of the cowling.

4 Propeller, Spinner Assembly



Fit on the propeller, do not cement.

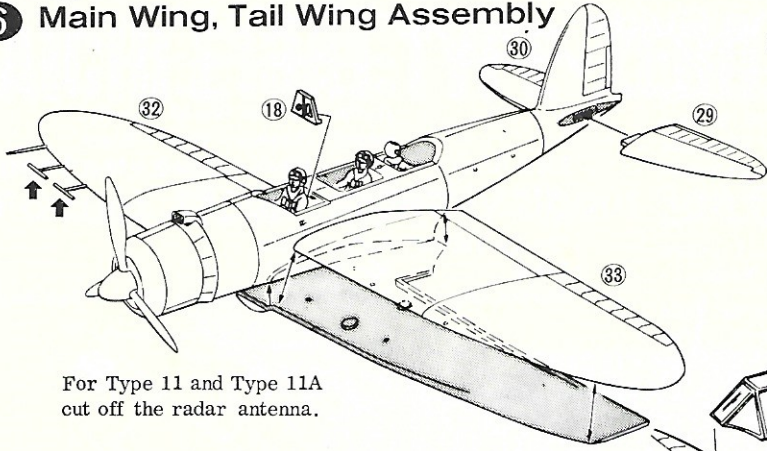
5 Bottom Window



For your selected type, drill the designated hole.

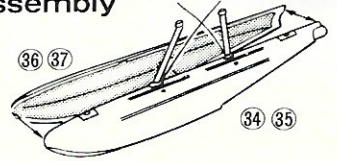
- A. Strut hole for Type 11A and Type 11B.
- B. Tension wire hole for Type 11.

6 Main Wing, Tail Wing Assembly

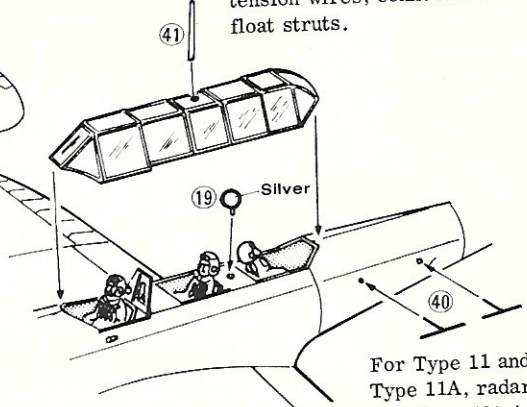


For Type 11 and Type 11A
cut off the radar antenna.

Float Assembly



Use cotton or nylon thread for
tension wires, connected to the
float struts.

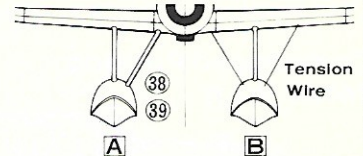
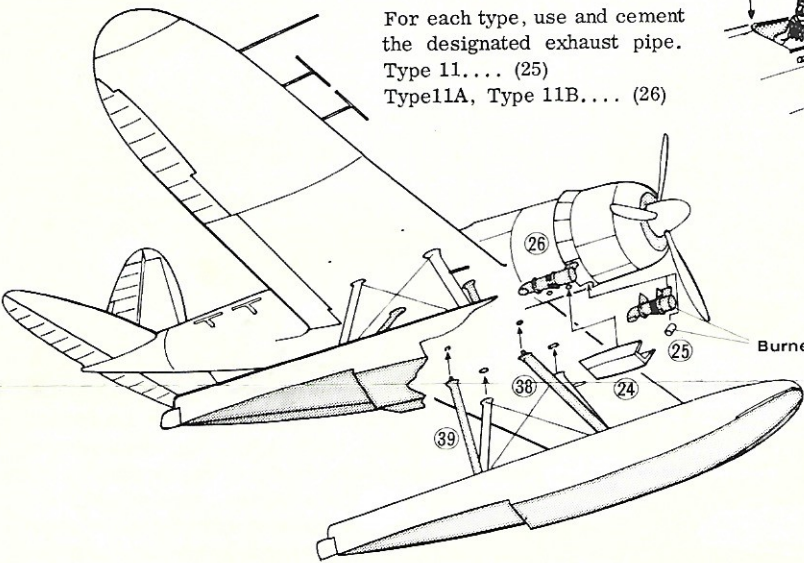


Reference Drawing
for Float Assembly

For Type 11 and
Type 11A, radar
antenna (40) is
not fitted.

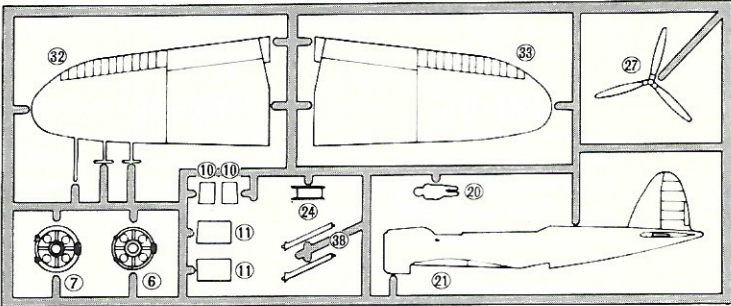
7 Float, Parts Assembly

For each type, use and cement
the designated exhaust pipe.
Type 11.... (25)
Type 11A, Type 11B.... (26)

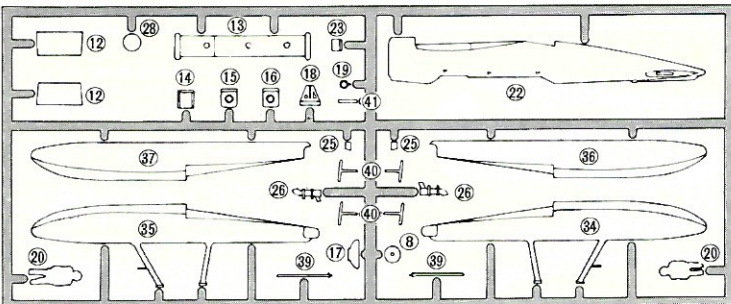


A. Assembly Drawing for
Type 11A, Type 11B.
B. Assembly Drawing for
Type 11.

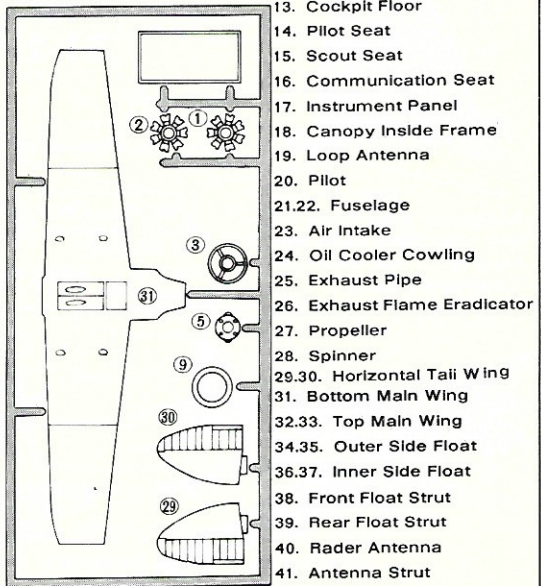
A Parts



B Parts



C Parts



Parts

- 1.2. Engine
3. Center Ring
5. Engine Frame Ring
- 6.7. Cowling Flap
8. Engine Part
9. Cowling
- 10.11.12. Cowling
13. Cockpit Floor
14. Pilot Seat
15. Scout Seat
16. Communication Seat
17. Instrument Panel
18. Canopy Inside Frame
19. Loop Antenna
20. Pilot
- 21.22. Fuselage
23. Air Intake
24. Oil Cooler Cowling
25. Exhaust Pipe
26. Exhaust Flame Eradicator
27. Propeller
28. Spinner
- 29.30. Horizontal Tail Wing
31. Bottom Main Wing
- 32.33. Top Main Wing
- 34.35. Outer Side Float
- 36.37. Inner Side Float
38. Front Float Strut
39. Rear Float Strut
40. Radar Antenna
41. Antenna Strut

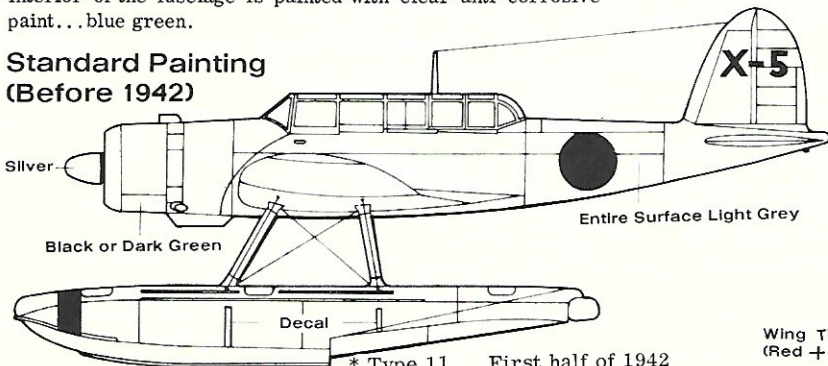
Marking & Color Painting Guide

Color...Semi-Gloss or Mat Finish

Japanese Naval Planes are painted in 4 types as follows:
 (1) Entire Surface... Silver (Tail Wing-Red), (2) Top Surface
 ... Camouflaged with Dark Green and Brown, Bottom Surface
 ... Light Grey, (3) Entire Surface... Light Grey, Propeller
 Front Surface, Propeller Back Surface... Black, Propeller
 Tip... 2 Red Stripes, Spinner... Silver, (4) Top Surface...
 Dark Green, Bottom Surface... Light Grey, Propeller Front
 and Back Surface... Dark Green, Propeller Tip... 1 Yellow
 Stripe, Spinner... Same color as Fuselage, Red or White.

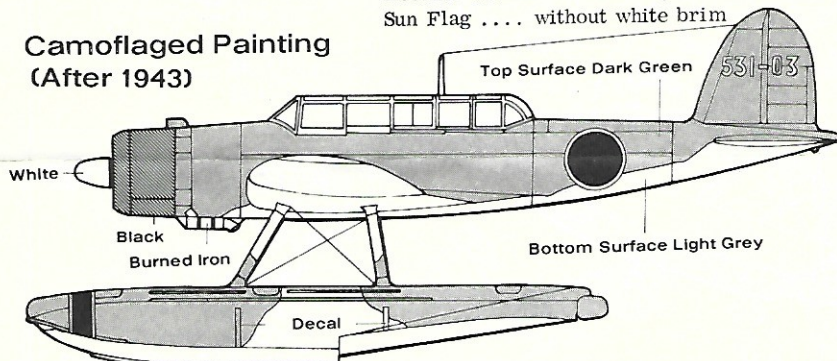
Sun Flag emblem on the light grey fuselage, without the white
 brim, but for the camouflaged plane with white brim. The
 interior of the fuselage is painted with clear anti-corrosive
 paint... blue green.

Standard Painting (Before 1942)



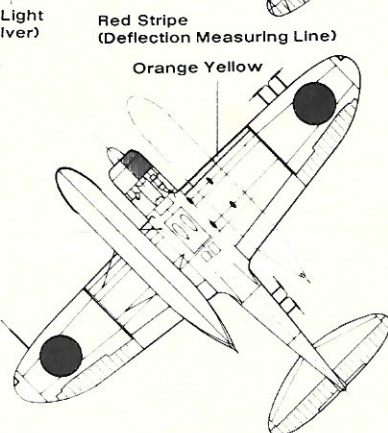
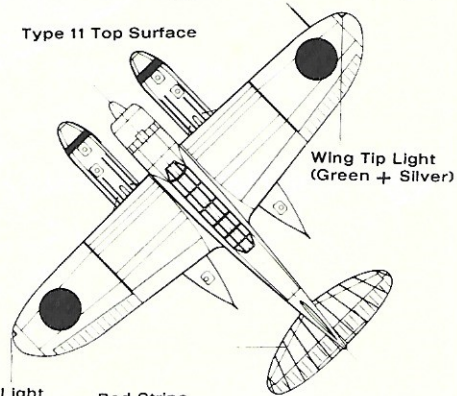
* Type 11 First half of 1942
 Aboard "Kimikawa Maru" (for Aleutian Island)
 Sun Flag without white brim

Camouflaged Painting (After 1943)

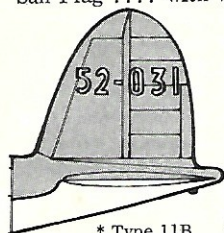


* Type 11A 1942 - 1943
 Aboard 'Akagisan Maru' (for Aleutian Island)
 Sun Flag with white brim

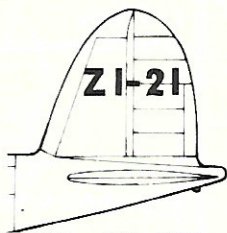
Type 11 Top Surface



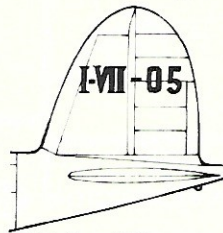
Left Side ... Type 11, Bottom Surface
 Right Side .. Type 11B, Bottom Surface
 (On Type 11A, the radar antenna is not fitted.)



* Type 11B 1943
 Assigned to 452nd Flying Corps,
 homeland, North Kurile Islands.
 Sun Flag ... with white brim.
 Camouflaged Painting.



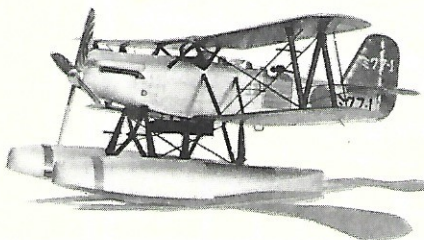
* Type 11 1941 - 1942
 Aboard "Kamikawa Maru
 (for Malaysia)
 Sun Flag ... without white brim
 Standard Painting



* Type 11 1940
 Assigned to 7th Flying Corps,
 for Palau
 Sun Flag ... without white brim
 Standard Painting



1941 - 1942
 Aboard 'Mizuho' (for Philippines)
 Sun Flag ... with white brim
 Standard Painting or Camouflaged



1/72 Scale Series
 1/72 Kawanishi Type-2 Flying Boat
 1/72 Kawanishi Type-97 Flying Boat
 1/72 Kawanishi Type-94 Scout Sea Plane
 1/72 Type-1 Attack Fighter
 1/72 Renzan Attack Fighter
 1/72 Shin-Meiwa PS-1/SS-2

HASEGAWA
 SEISAKUSHO CO., LTD.
 No.1193-2, Yojin, Yaizu
 Shizuoka, (425) Japan