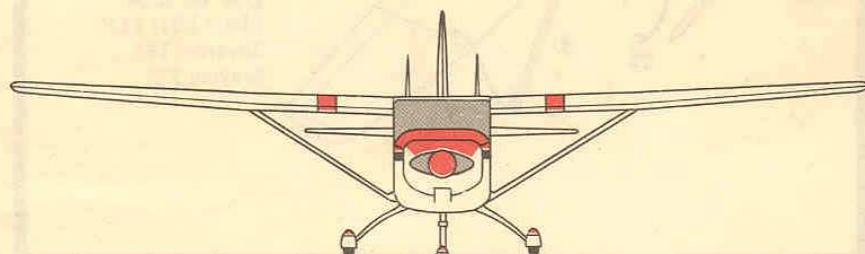
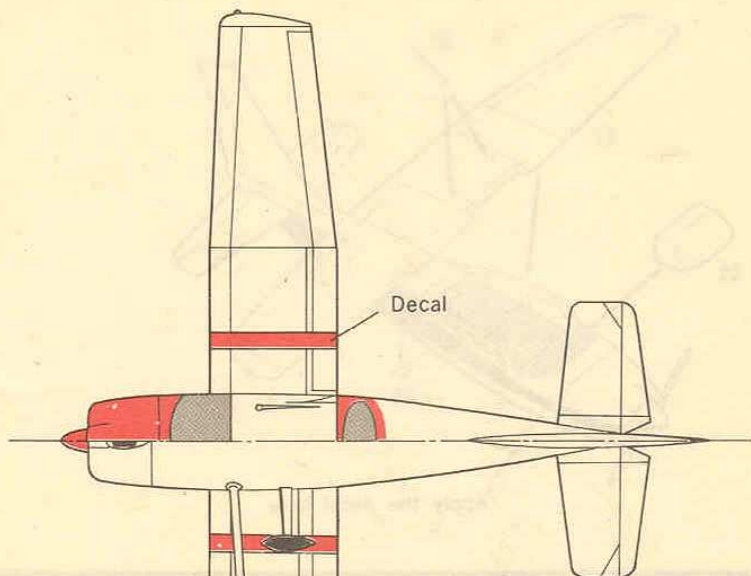


CESSNA 172 Sky Hawk

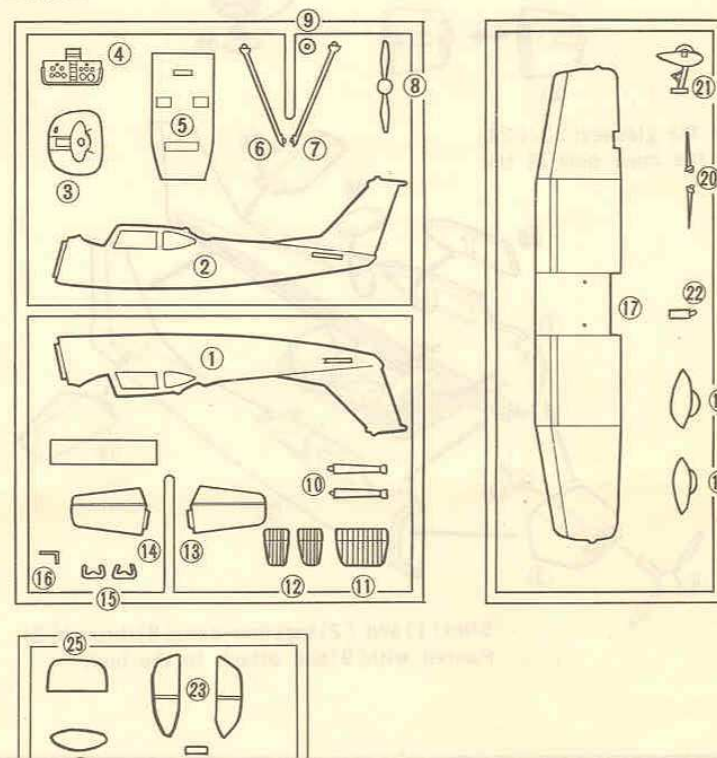
Assembly Instructions

Since the above Cessna Model 172 was introduced as a light 4-passenger aircraft (former model 170) it was remodelled every year and has become a perfect standard type light aircraft at present and spread the name of CESSNA Corp, throughout the world the former model 170 was of the tail wheel type but the present Model 172 was changed to the front wheel type this type of plane took the initiative and at the same time redesigned the tail wing and increased the stability, It has become a model with smart appearance was modern light aircraft, Since the plane was put out for sales in 1955, nearly 20,000 planes have been sold up to the present and production is actively being continued, besides the standard model there are several other models including the deluxe model skyhawk.

Overall width	11.0m	Total Weight	1,043kg.
Overall length	8.2m	Max speed	224km/h
Overall height	2.7m	Cruising speed	211km/h 2745m 75%P
Size of Wing	16.2m	Stall speed	79km/h
Engine	Continental 0-320E 2D Aircooled 150hp x1	Practical climb limit	4,000m
		Surface Rate of Climb	200m/min
		Navigation Distance	990km
Net Weight	565kg.	Take off and landing Distance	382m 381m
		no of seats	4.

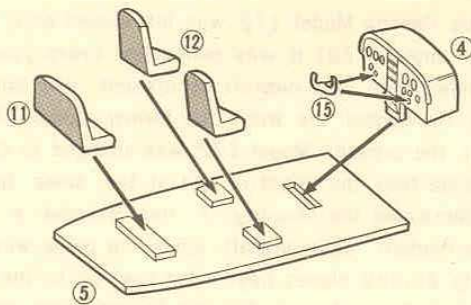


Part Diagram



1

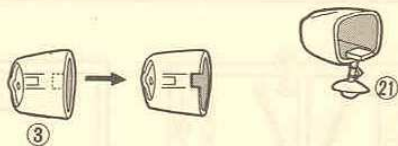
Stick (4) (11) (12) together with (5)



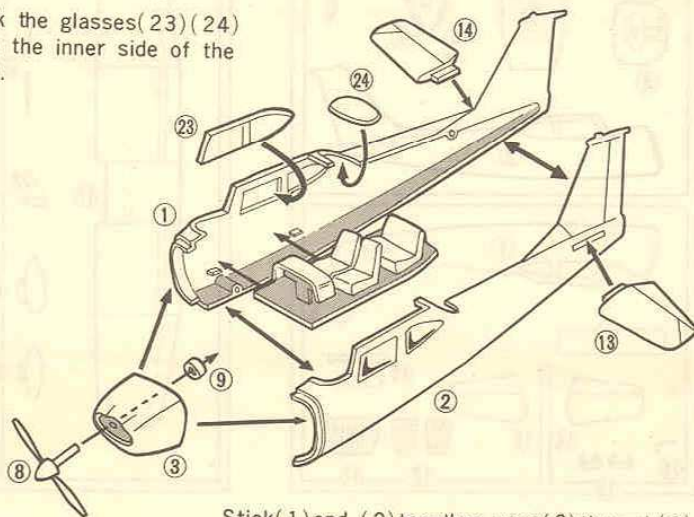
Paint Guide
 Gray on (4) (15) and silver on meter of (4)
 Red or light brown on (11) (12) Blue or dark brown on (5)

2

Cut the piece off as shown on (3) and stick (21)



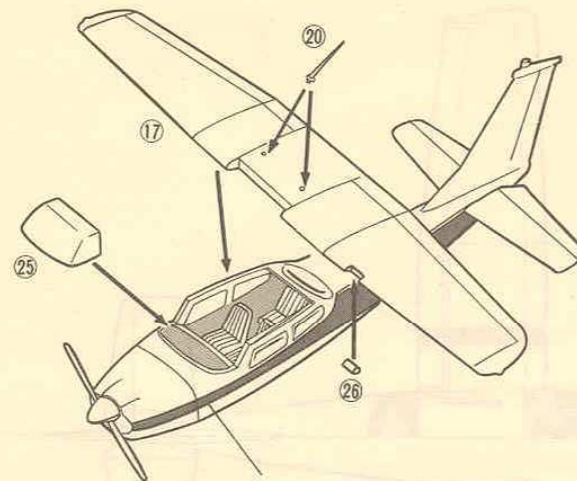
Stick the glasses (23) (24) from the inner side of the body.



Stick (1) and (2) together pass (8) through (3)
 Pasten with (9) and attach to the body.

3

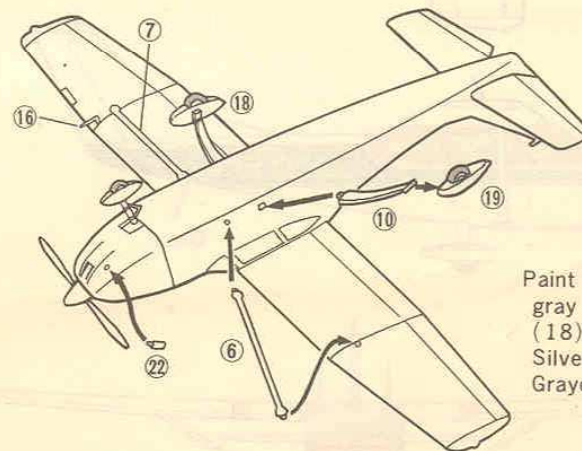
Stick (17) to the assembled body and then stick glass (25)



Apply the decal here

4

Stick each section together without mistaking left for right.



Paint Guide
 gray on tires (18) (19) (21)
 Silver on (16)
 Gray on (22)