

M13/40

Italian medium tank

Scale 1:35

Made in Russia

№3516



Until mid-thirties Italian Army had no medium tanks. L3 and L5 light tanks successfully dealt with Ethloplan troops during the Abyssinian campaign in 1935. The same tanks were supplied to Expeditionary Corps which supported Franco in Spanish civil war. In March 1937 the Corps was crushed in Guadalajara by the Republicans armed with Soviet T-26. Only 63 Italian tankettes of 108 escaped, while Republicans lost only 7 vehicles. Armed with machine guns this tanks were no match against canon-armed vehicles.

A new tank was developed and adopted in 1939 - the M11/39 (11 ton medium, 1939 model). Its chassis looked much like British Vickers Six Ton which provided the basis for Soviet T-26 design. The armament of the new tank consisted of 37 mm gun mounted at the hull front and two 8 mm machine guns in the rotating turret. About 100 vehicles of the type were built until 1941, most were lost in 1940-41 in Libya, Greece, and Albania.

Weapon arrangement was considered inadequate and at the end of 1939 a new design was developed, the M13/40 (13 ton medium, 1940 model). The new tank was powered by 125 HP. SPA8TM40V-8 diesel engine, weapon consisted of turret-mounted 47 mm canon, able to pierce 50-mm armor, and four Breda machine guns - one co-axial with the gun, twin mounting at the hull front and anti-aircraft one on the turret roof. The speed was 32 km/h, frontal armor was 40 mm thick, which exceeded T-26 armor.

However the new vehicle had to fight against quite another enemy: at the end of 1941 they encountered British and American tanks. These vehicles had better armor, weapon, maneuverability, and speed. But the new tank wasn't dismissed: until autumn of 1943 799 vehicles were built. In the mid of 1943 it was replaced with a new model - M14/41 powered by SPA15TM-41V-8 engine and featured some minor external differences. The speed was increased to 33 km/h, weight - to 14.5 ton. 1103 vehicles were built - 895 before Italy capitulation and the rest at the territory occupied by Germans. The M14/41 first time saw combat in Libya in May 1942. At the end of 1942 the new M15/42 tank was developed. It was armed with longer 47 mm gun and powered by gasoline 192 HP SPA-15TB engine. The front armor was reinforced with additional 12 mm plate. 112 vehicles were produced until September 10, 1943 and another 28 were assembled by Germans in 1944.

Along with battle tank (Carro Armato) Italians produced commander vehicles based on medium tanks (Carro Comando). They lacked the turret and two hatches at the hull roof were made, 8 mm twin machine gun in the front plate was replaced with 13.2 mm one. Besides the crew had 8 mm anti-aircraft machine gun and additional radio. The chassis of M41/42 command vehicles was used for mounting quadruple 20 mm anti-aircraft guns and 75 mm self propelled guns. 146 commander vehicles were made until 1945 for both Italian and German armies.

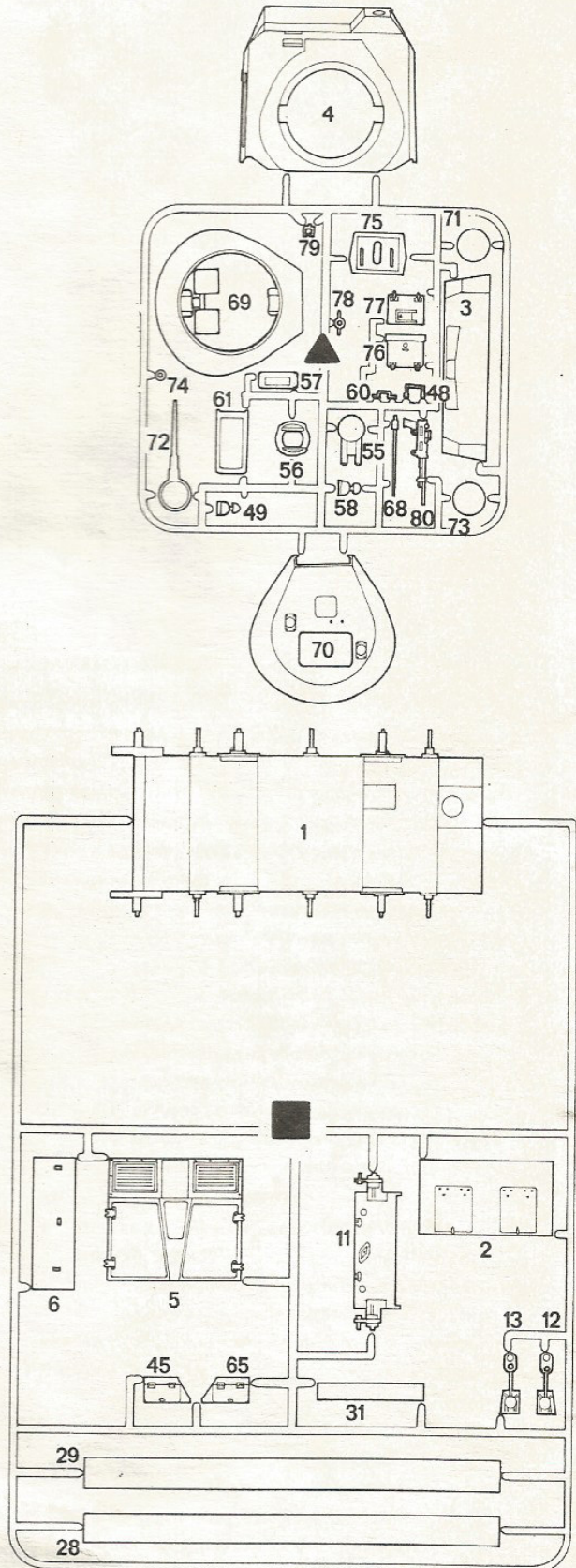
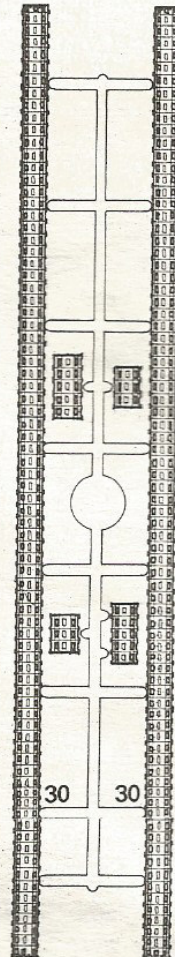
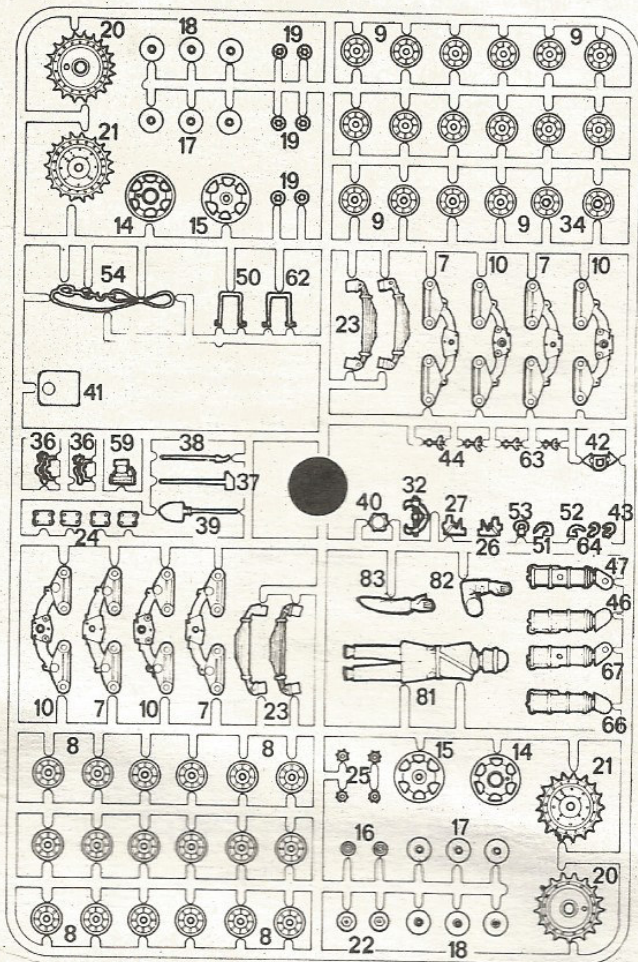
Italian tanks were painted desert color (a mix of bright green and reddish brown) with black or dark green camouflage in the form of spots and narrow uneven lines. Regimental and battalion numbers were applied at the hull rear. Royal Army insignia - RE letters as well as serial numbers were applied at lower part of the body.

Assembly directions:

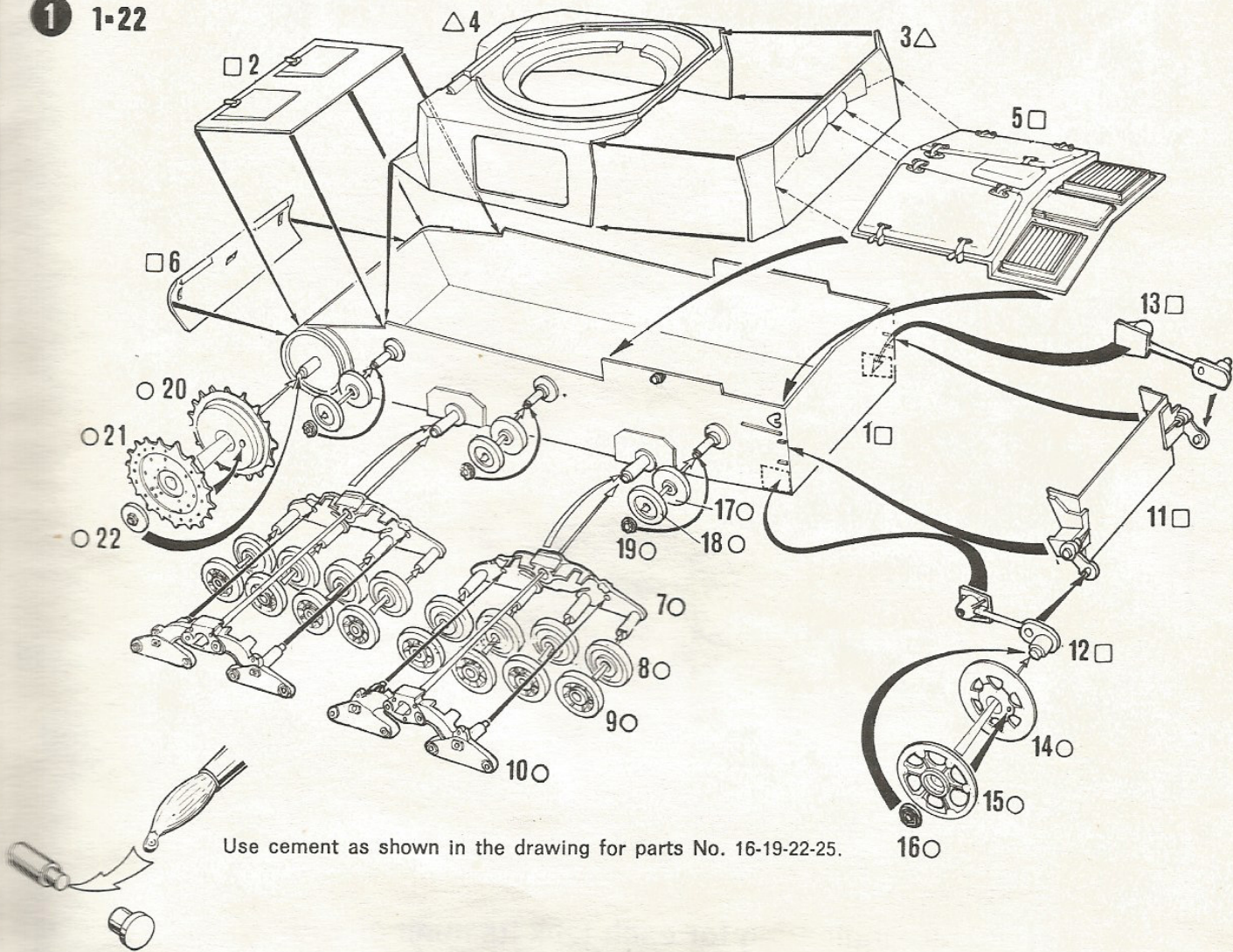
1. Use a sharp knife or a pair of scissors to remove parts from the sprue. For easy assembly each part is numbered. Paint small parts before removing from the sprue.
2. Care should be taken when using tools and modelling knives, as these can cause personal injury.
3. Plastic parts broken from sprues can have sharp, pointed or jagged edges. Remove these with a file or an emery board.
4. Keep out of the reach of children under 36 months old, as some parts are detachable. Children must not be allowed to suck any metal part or wire included with this kit.
5. This document should be retained for reference at a later date, if the need arises, as it includes the "EEC" company name and address as a means of identification of the importer and supplier.

MANUFACTURER:
ZVEZDA,
PROMYSHLENNAYA, 2 - LOBNYA,
141730, RUSSIA

SELLER:
ITALERY SPA
VIA PRADAZZO, 6 - CALDERARA
(BO), ITALY



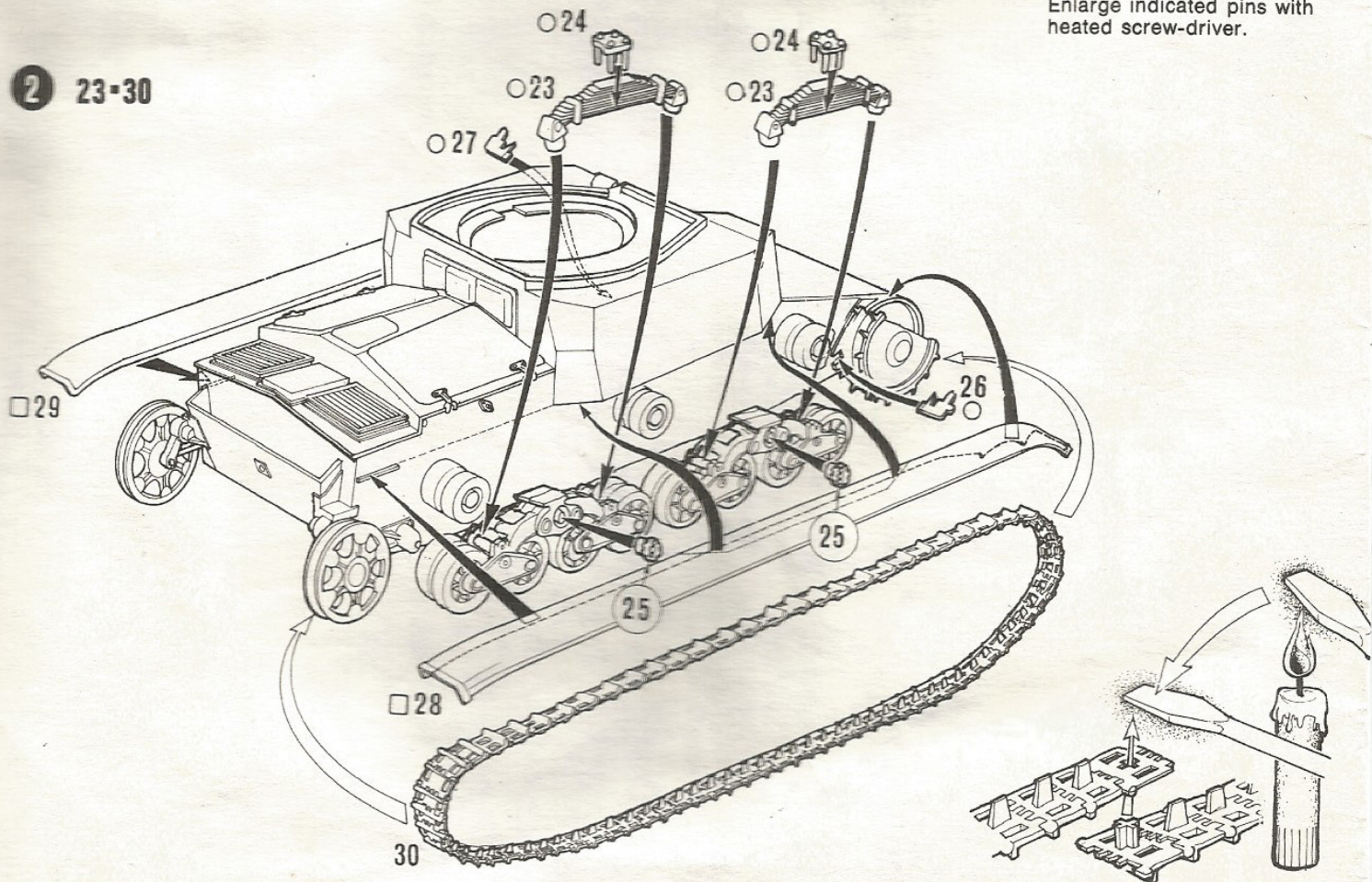
1 1-22

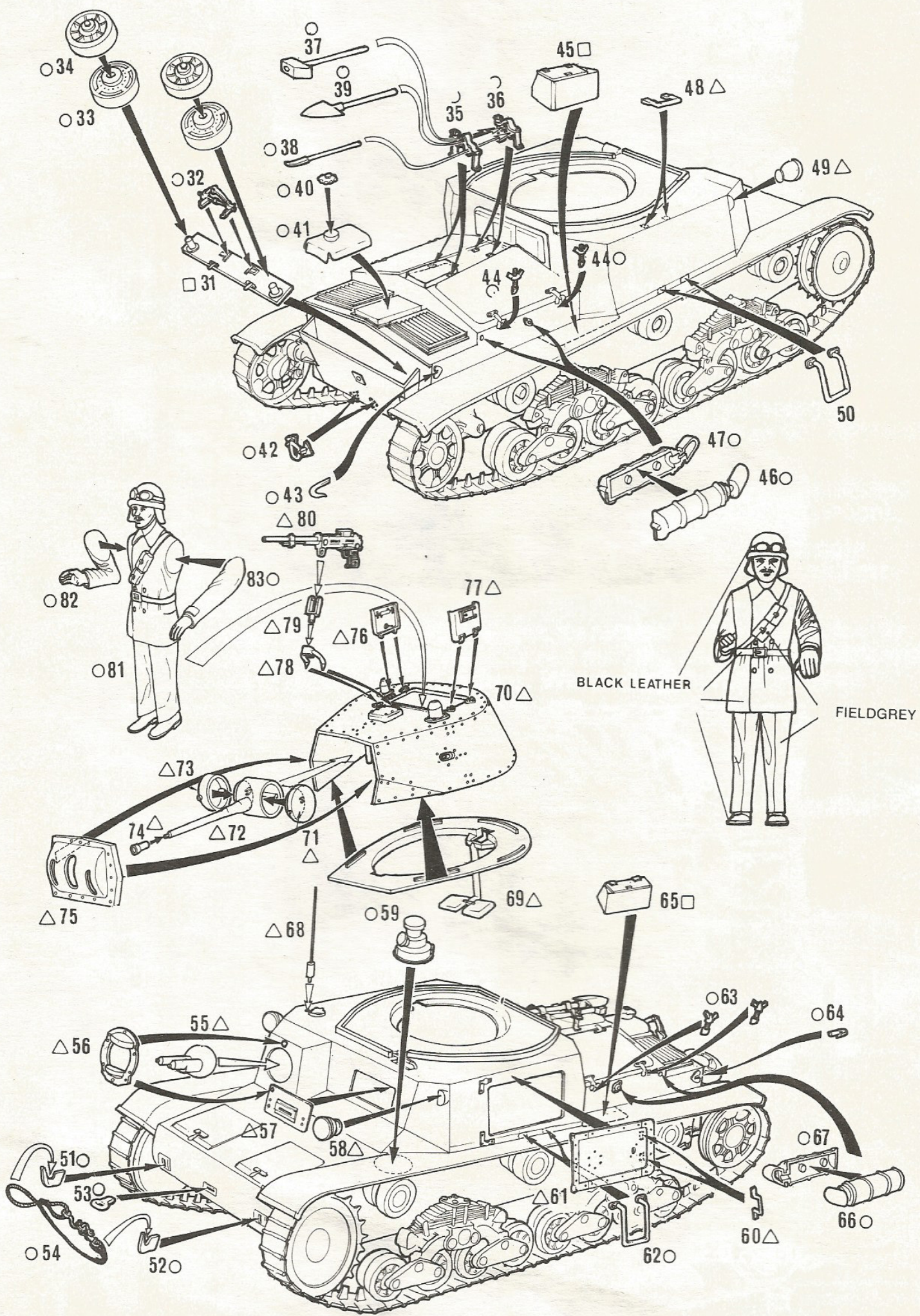


Use cement as shown in the drawing for parts No. 16-19-22-25.

Enlarge indicated pins with heated screw-driver.

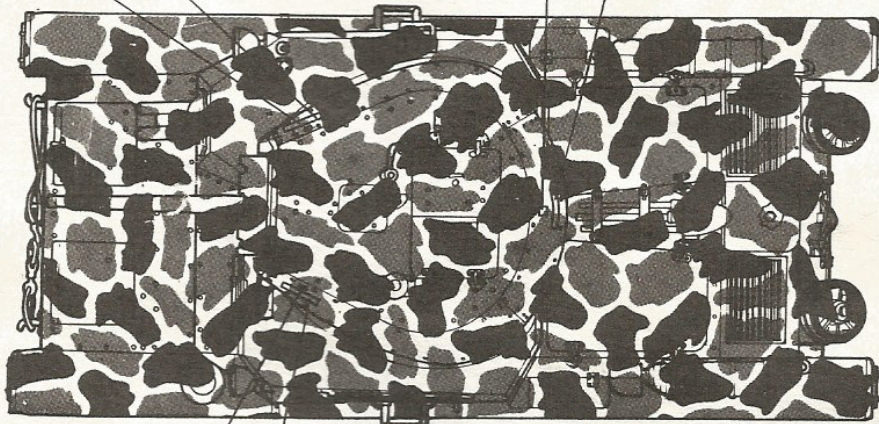
2 23-30





10 7-8-9

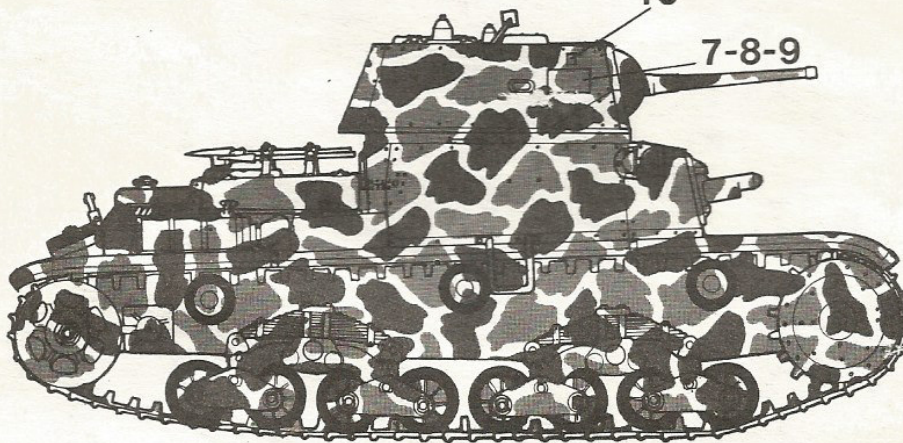
10 7-8-9



10 7-8-9

10

7-8-9

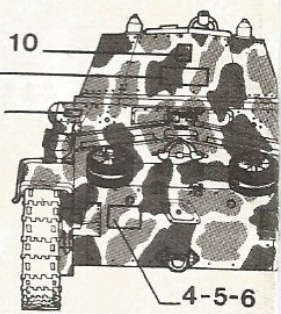


7-8-9

10

14-15

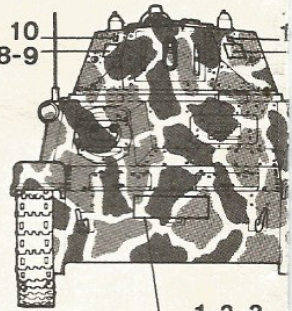
4-5-6



10

7-8-9

1-2-3



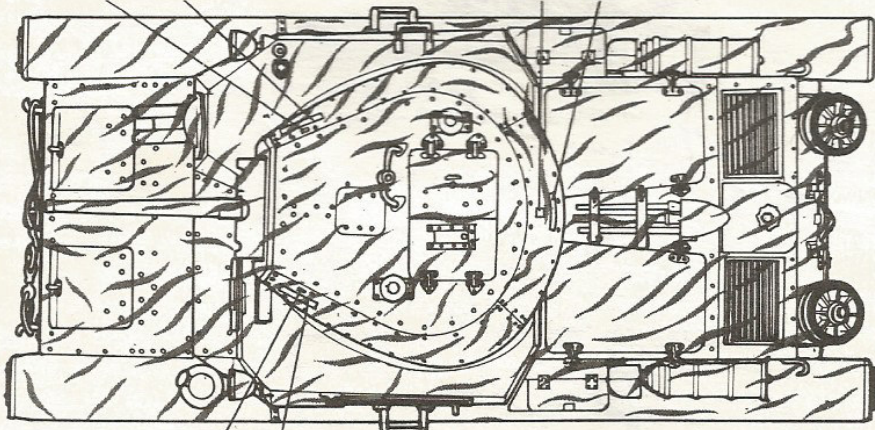
SAND YELLOW



DARK BROWN

10 7-8-9

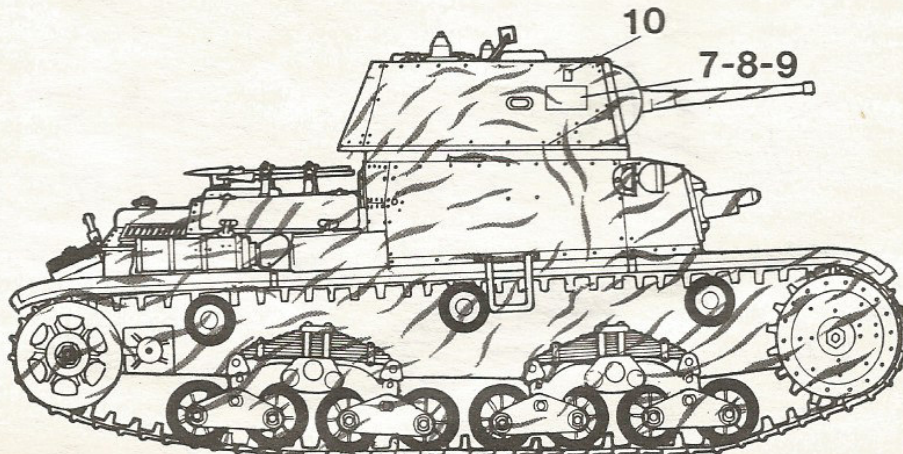
10 7-8-9



10 7-8-9

10

7-8-9

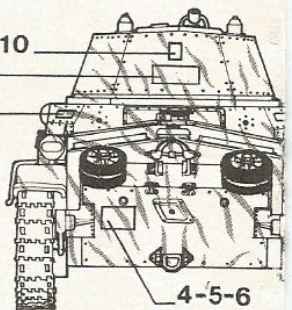


7-8-9

10

14-15

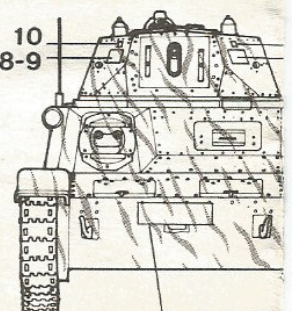
4-5-6



10

7-8-9

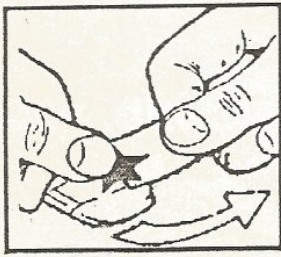
1-2-3



DARK BROWN

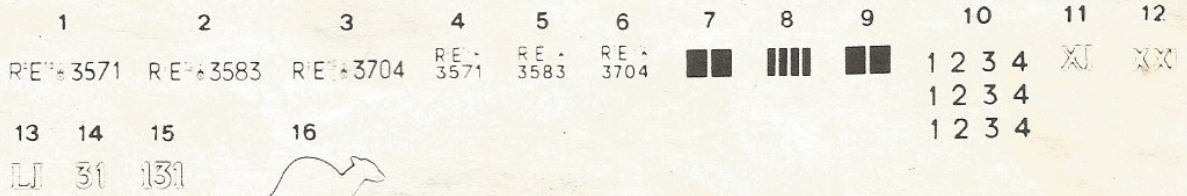


BLACK



Direction for applying the decals:

Cut each image out of the backing sheet: soak in water for about 1/2 minute; place the decal in exact position and remove the backing sheet. Remove excess water with the cotton swab.



1-3) Front plates for "Regio Esercito" tanks.

4-6) Rear plates for "Regio Esercito" tanks.

7) First company, first platoon marking — (the red rectangle indicated first company, the single vertical white bar indicated first platoon).

8) First company, third platoon marking (the red rectangle indicated first company, three white vertical bars indicated third platoon).

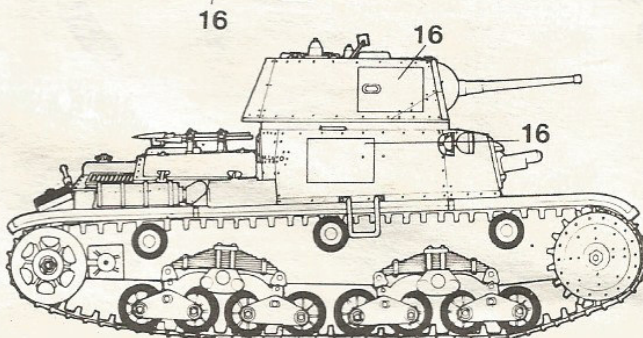
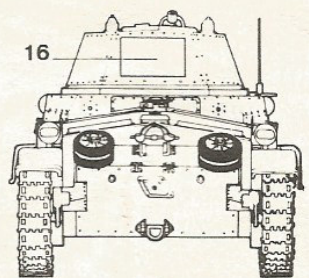
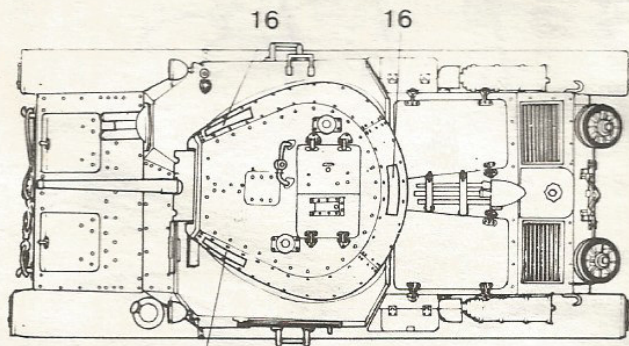
9) Second company, first platoon marking (the blue rectangle indicated second company, the single white bar indicated first platoon)

10) Numbers indicating for each tank its number within platoon — Use red numbers with first company red marking and blue numbers with second company blue markings. White numbers can be used instead of the red or blue ones.

11-13) Roman numeral of the battalion

14-15) Numbers indicating the regiment

16) Marking for Italian tanks captured and served with Australian Army on the African front.



OPTIONAL

