 **Litaki**  
MODEL KIT

# J-22 ORAO

72001  
scale 1:72

**ATTACK AIRCRAFT**

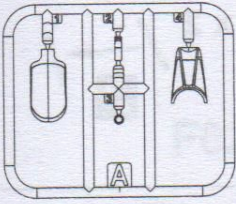
**Dear modeller!**

**LITAKI is a new company specializing in production of short-run plastic kits.**

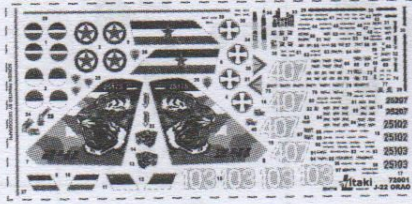
**We are happy to offer you our first 1/72-scale kit: Yugoslav Soko J-22 Orao ground-attack aircraft. This is the first time when this interesting aircraft is reproduced in plastic. We hope you enjoy building this kit and it will take its place in your collection!**



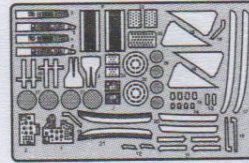
**A**



**Decal**



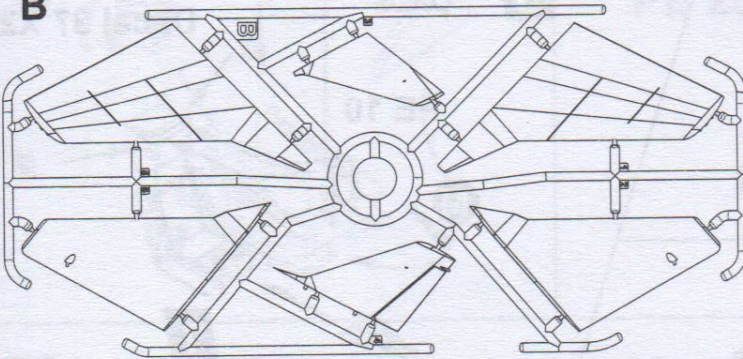
**P-E parts**



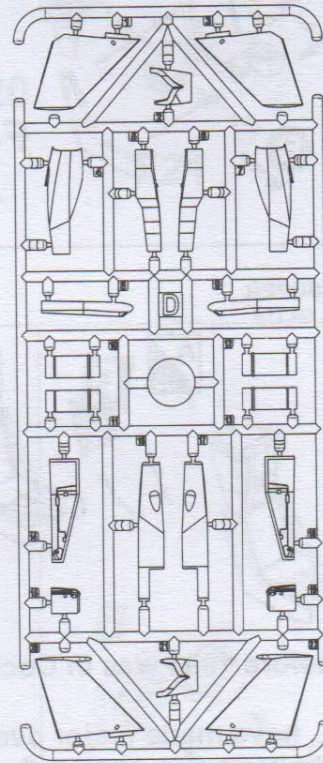
**Mask**



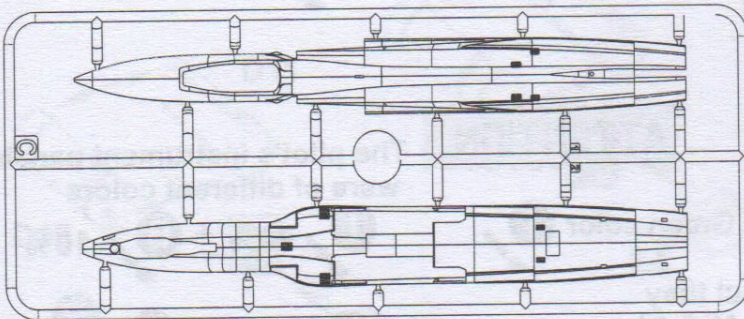
**B**



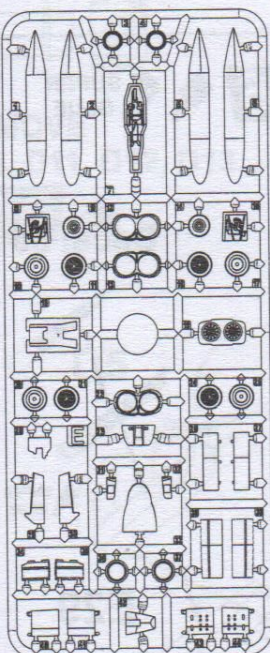
**D**



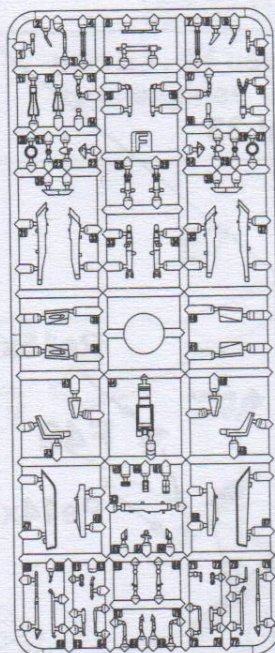
**C**



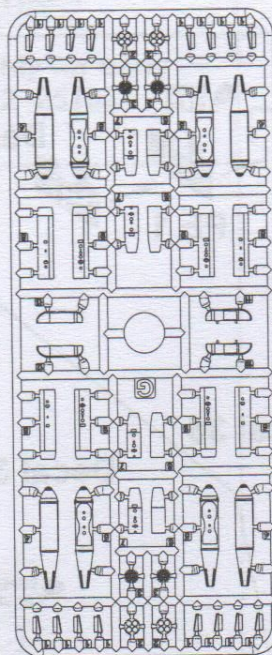
**E**



**F**



**G**



**Used Symbols**



Glue by



Do not glue



**SUPER  
GLUE  
Cyanoacrylate  
glue**



Make a hole



Variants



Use Weight



Bend



Multiple



**1** F42, F44, F46, F45, F43, B

**2** SUPER GLUE PE 9, PE 11 x 2, A/B

**3** SUPER GLUE Decal 37 X2, PE 10, M, 1, PE 11, M

**4** SUPER GLUE A/B

**5** SUPER GLUE E28, Decal 33, PE 1, Decal 35, E23, Pe7, Decal 36, F72, F61, Decal 34, Pe15x2, F49, Pe14x2, E29, E30, E18

**6** SUPER GLUE

**ATTENTION** The pilot's instrument panels were of different colors

Cockpits before 1993 was in Cockpit Green color I 90% + B 10%

After 1993, have made major overhaul they have got similar color like on Soviet MiG-21 turquoise green J

B 90%+ A 10%

**6** F62, E33, 4, 5, 6

**7** SUPER GLUE E19, PE 25, F27, PE 25, F20, F21, F26, P

**8** D10, D11, D12, D13, A/B, E4, P

**9** 7, P, 8, A/B

**ATTENTION** part E3, E4 use only for early type engines J-22 25103

**REMOVE** D10, D11, D12, D13

**10** D5, E7, D6, M



<p><b>11</b> <b>M</b></p> <p>D17 D15 E32</p>	<p><b>12</b> <b>M</b></p> <p>D14 E8</p>
<p><b>13</b> <b>M</b></p> <p>D16 E31</p>	<p><b>14</b> <b>M</b></p> <p>D18 E15</p>
<p><b>15</b> <b>N</b></p> <p>D4 D21</p>	<p><b>16</b> <b>N</b></p> <p>D2 D7</p>

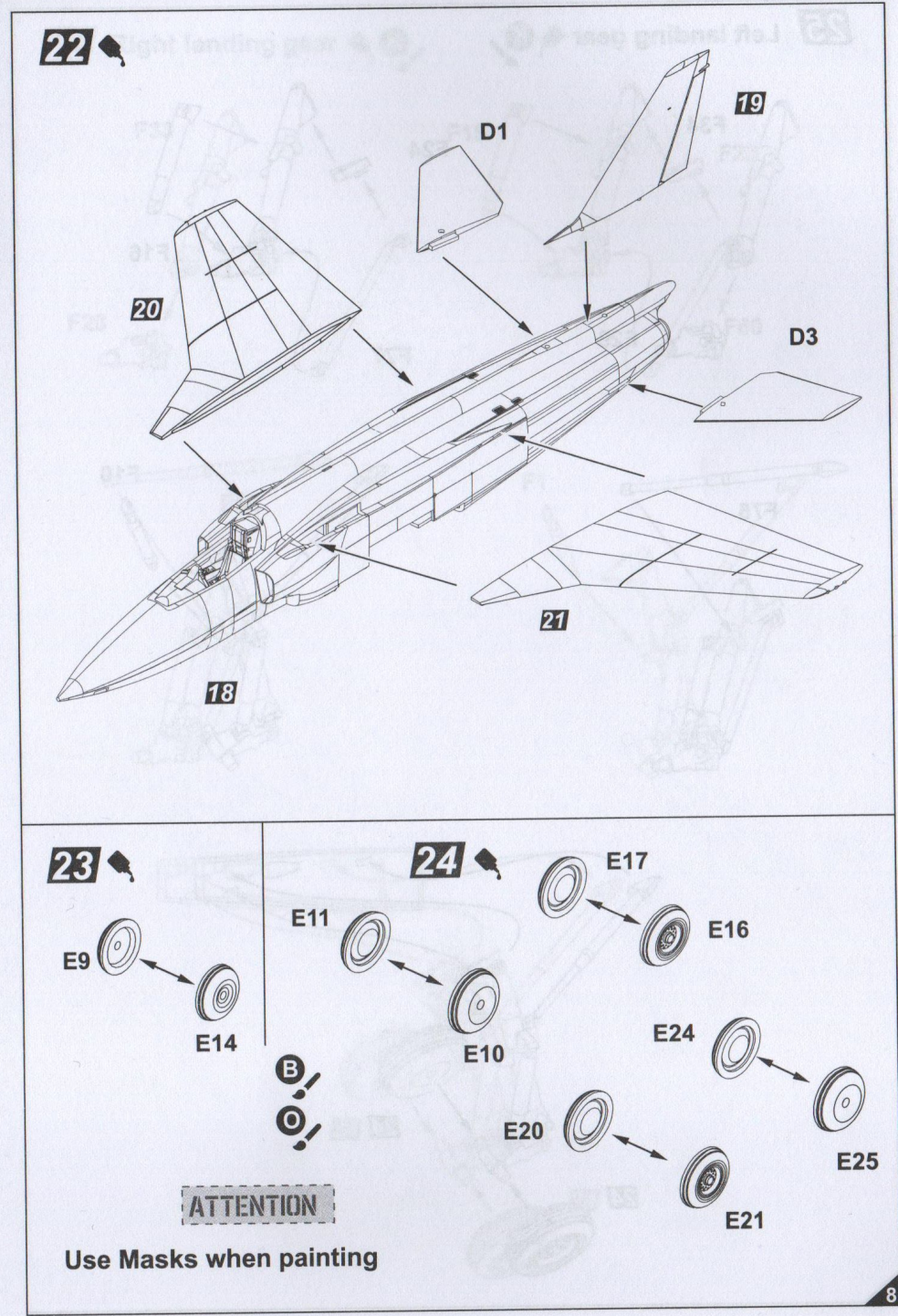
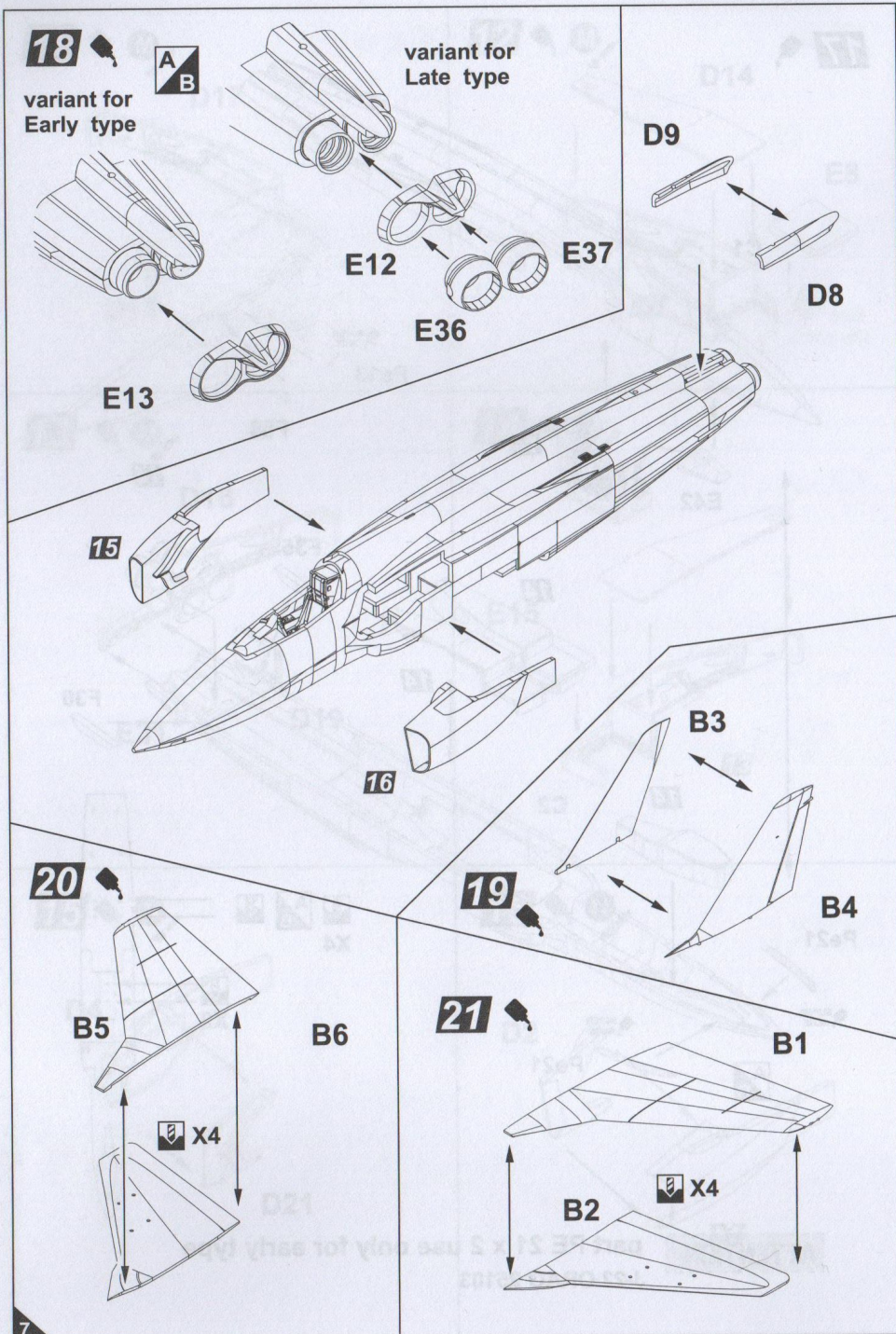
**17**

Use Weight

C1  
Pe13  
F59  
E42  
F35  
F30  
C2  
Pe21  
X4  
X2

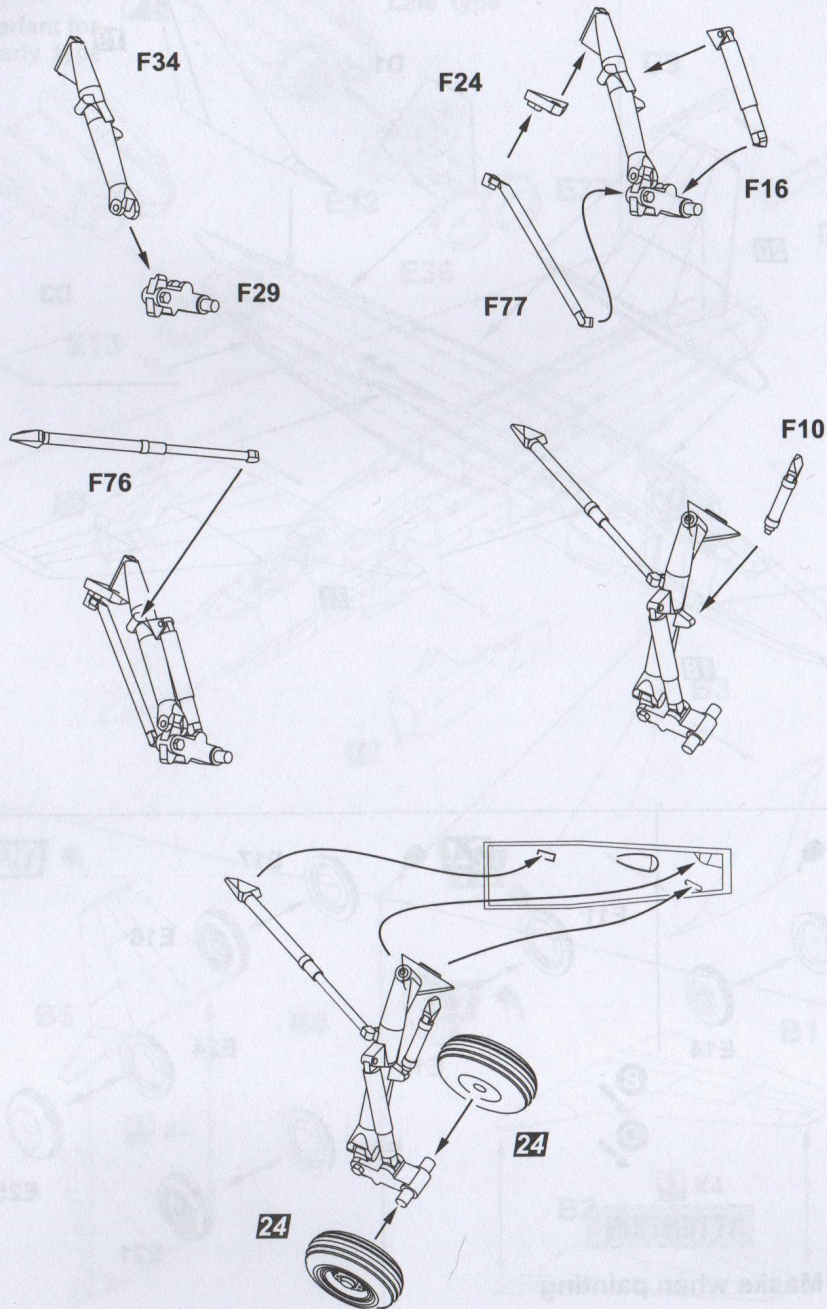
**ATTENTION** part PE 21 x 2 use only for early type J-22 ORAO 25103



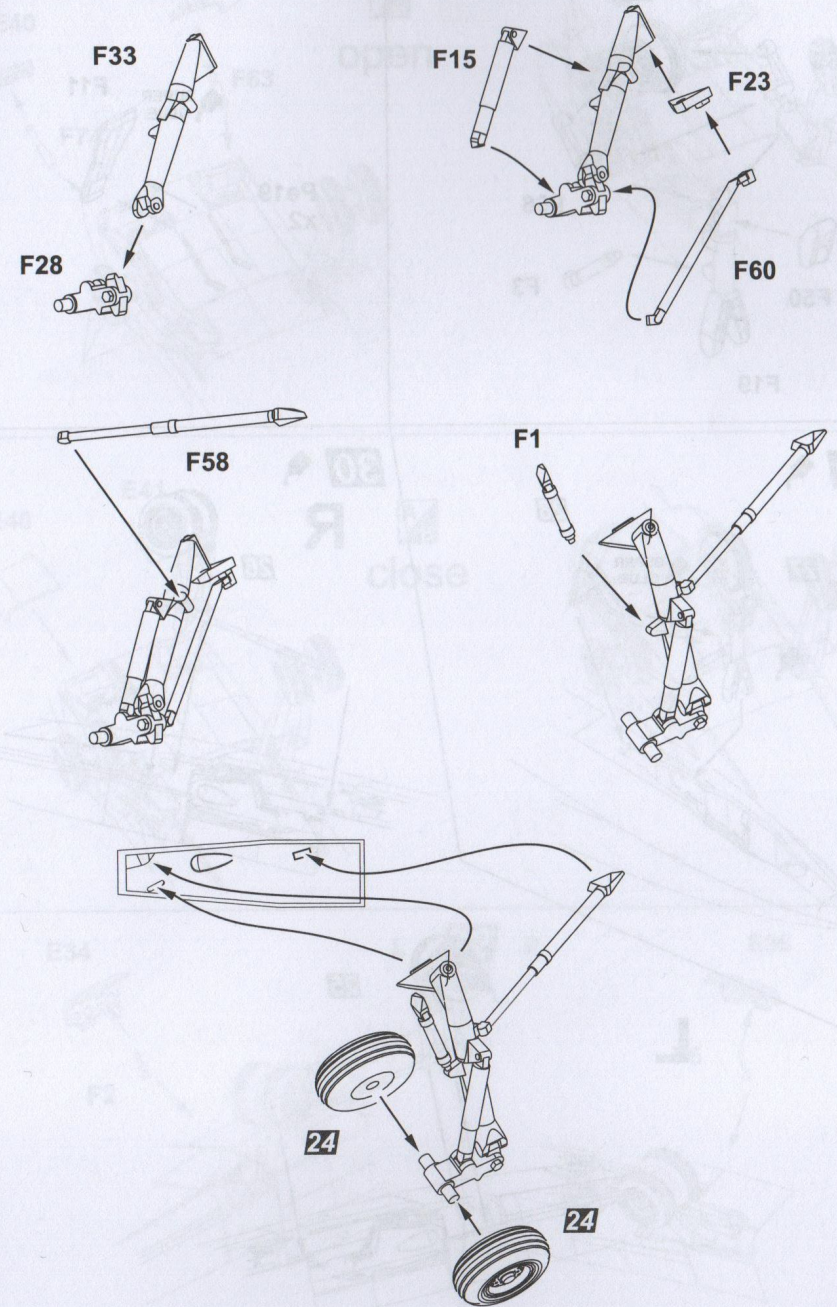




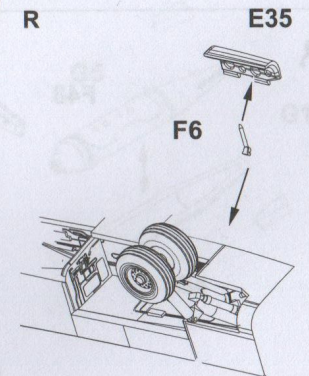
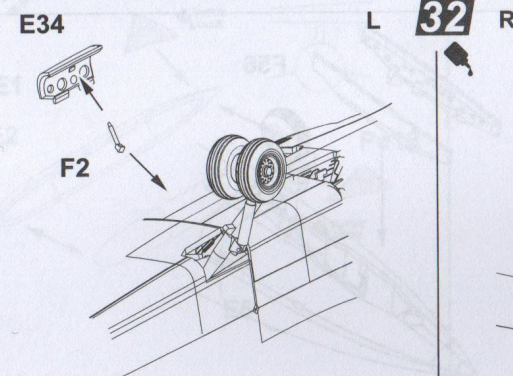
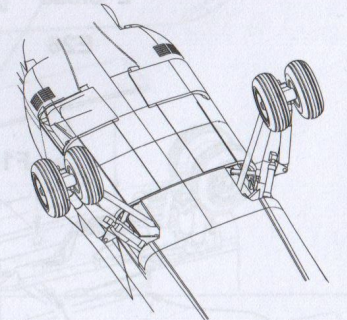
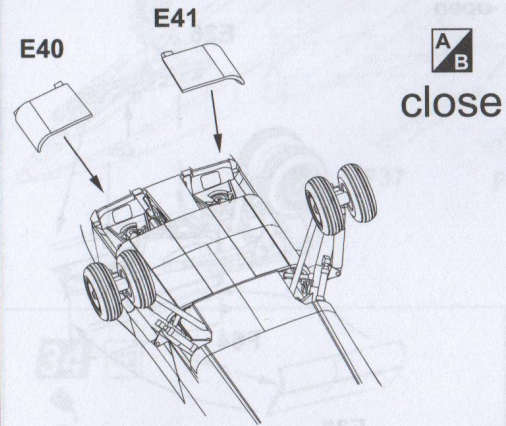
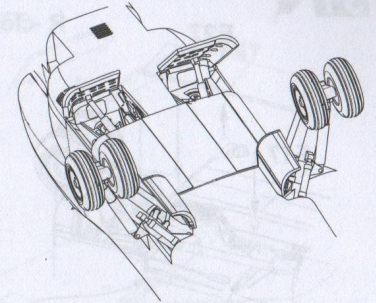
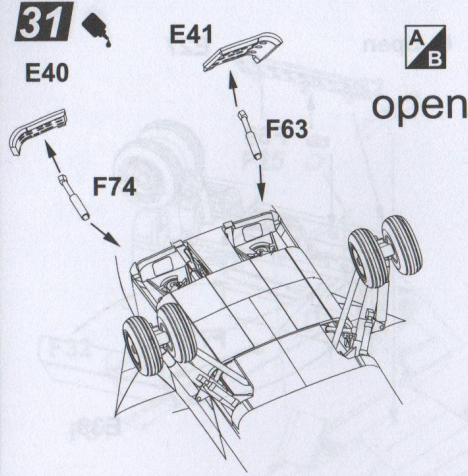
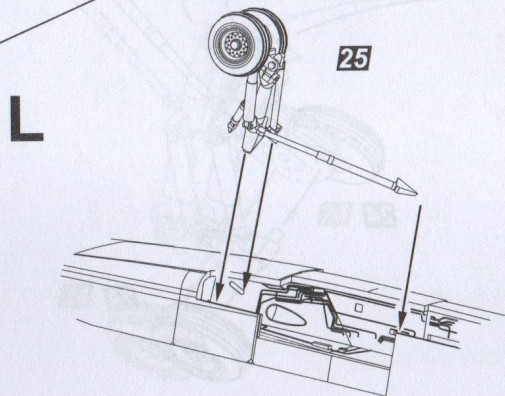
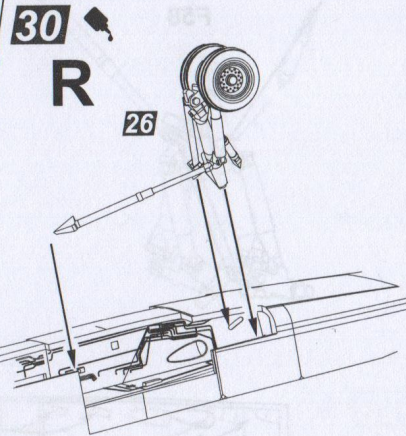
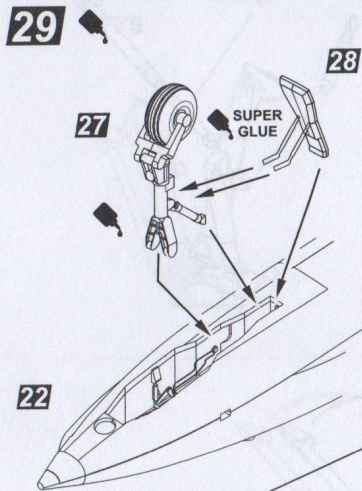
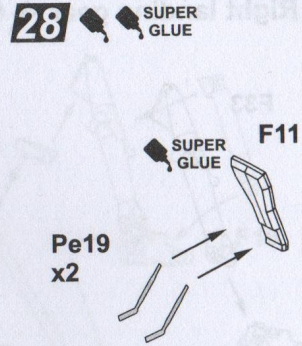
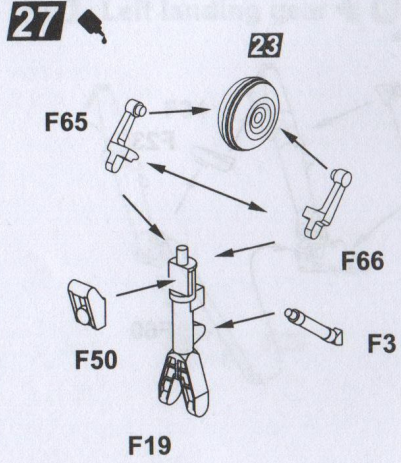
**25** Left landing gear



**26** Right landing gear

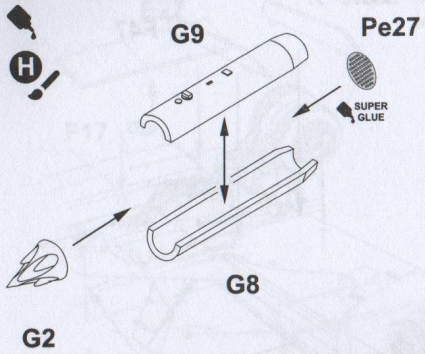




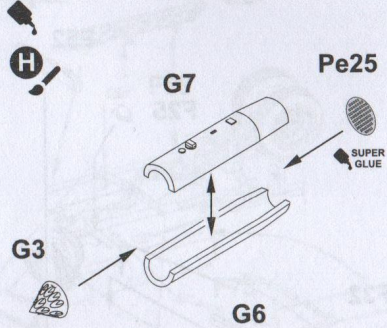




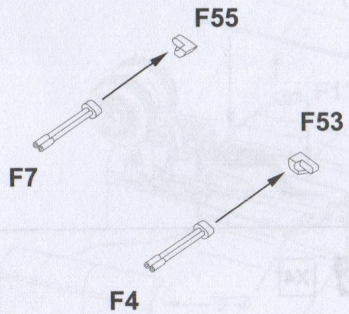
36 X4



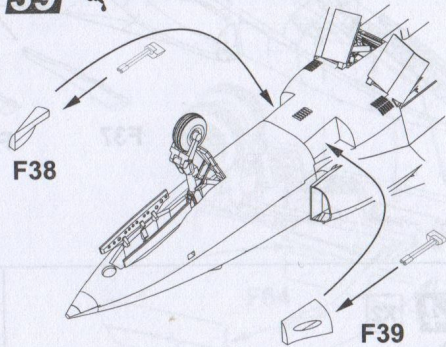
37 X4



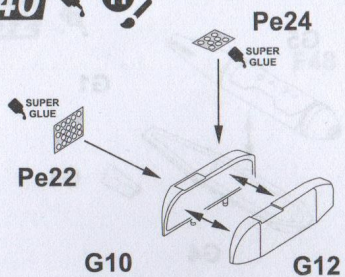
38 L



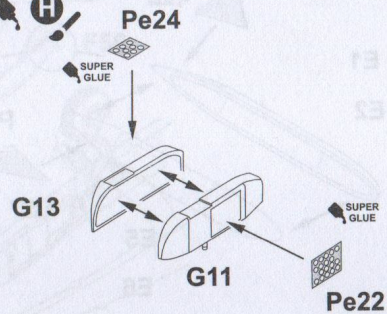
39



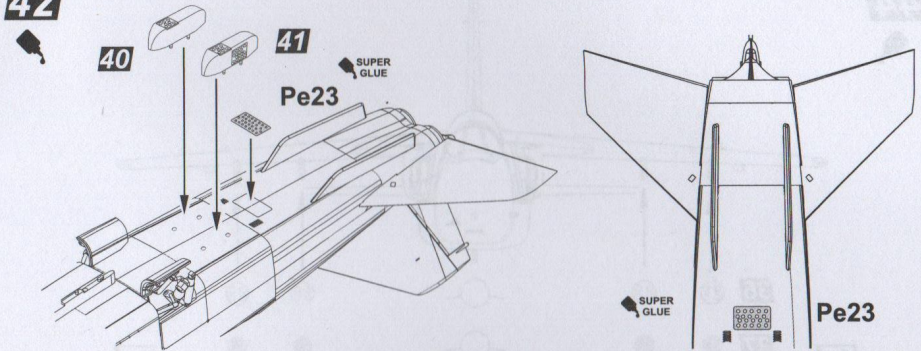
40 H



41 H

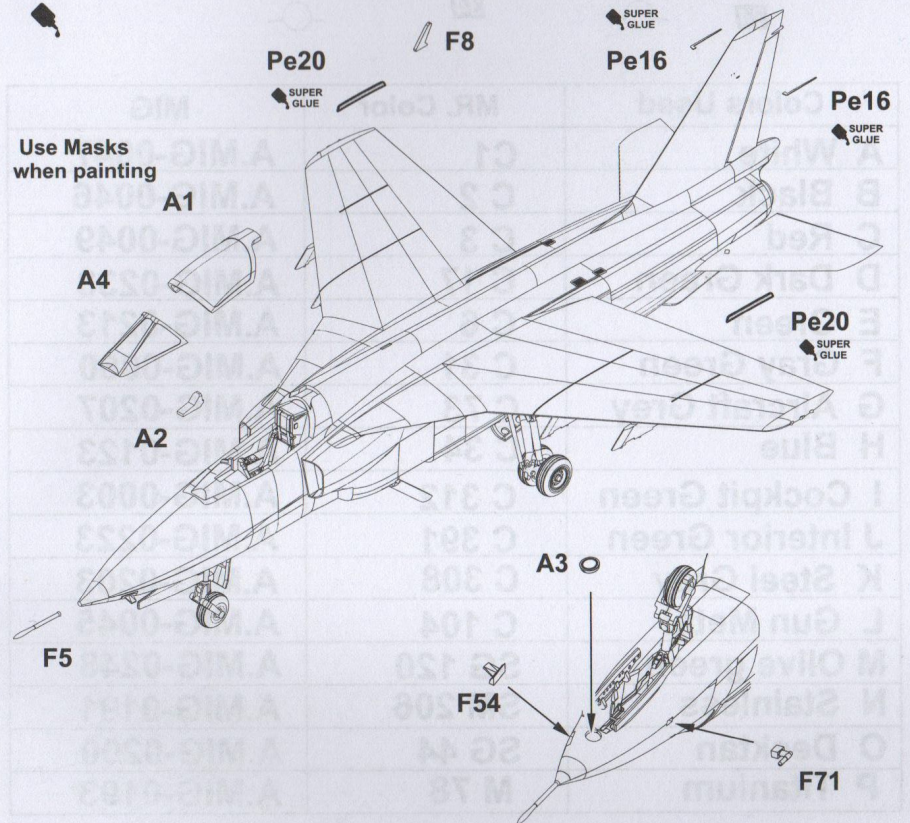


42



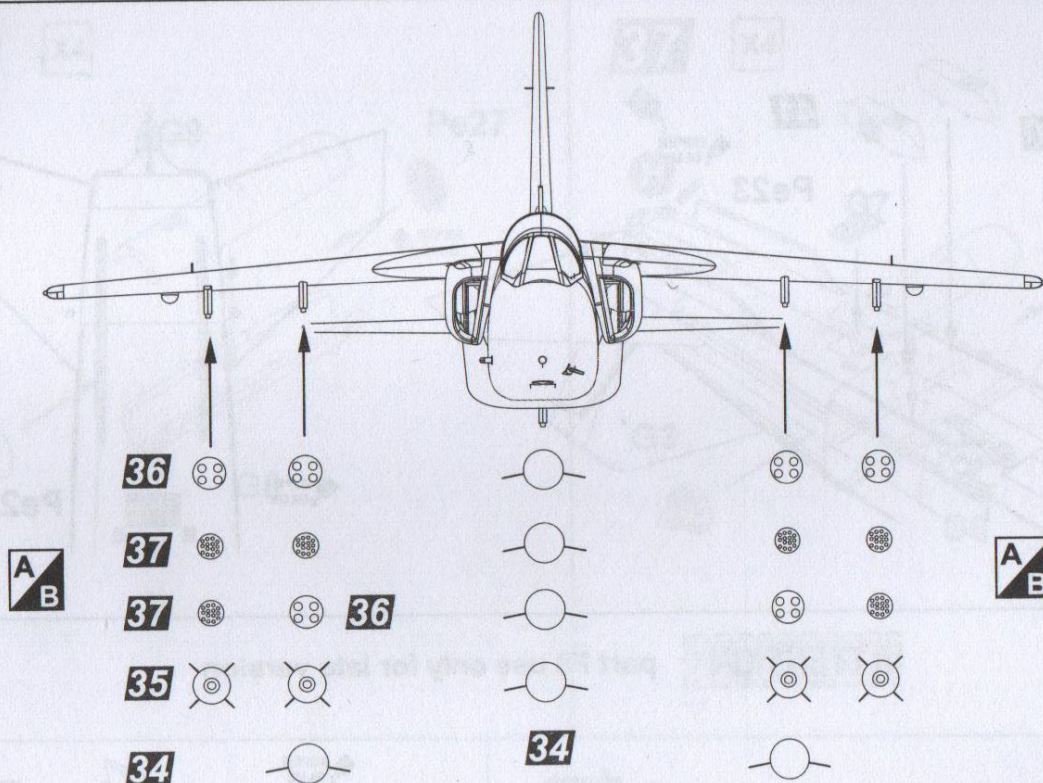
43

**ATTENTION** part F8 use only for late version





**44**



Colors Used	MR. Color	MIG
<b>A White</b>	<b>C1</b>	<b>A.MIG-0047</b>
<b>B Black</b>	<b>C 2</b>	<b>A.MIG-0046</b>
<b>C Red</b>	<b>C 3</b>	<b>A.MIG-0049</b>
<b>D Dark Green</b>	<b>C 17</b>	<b>A.MIG-0233</b>
<b>E Green</b>	<b>C 6</b>	<b>A.MIG-0213</b>
<b>F Gray Green</b>	<b>C 31</b>	<b>A.MIG-0060</b>
<b>G Aircraft Grey</b>	<b>C 73</b>	<b>A.MIG-0207</b>
<b>H Blue</b>	<b>C 34</b>	<b>A.MIG-0123</b>
<b>I Cockpit Green</b>	<b>C 312</b>	<b>A.MIG-0003</b>
<b>J Interior Green</b>	<b>C 391</b>	<b>A.MIG-0223</b>
<b>K Steel Gray</b>	<b>C 308</b>	<b>A.MIG-0203</b>
<b>L Gun Metal</b>	<b>C 104</b>	<b>A.MIG-0045</b>
<b>M Olive green</b>	<b>SG 120</b>	<b>A.MIG-0248</b>
<b>N Stainless</b>	<b>SM 206</b>	<b>A.MIG-0191</b>
<b>O Decktan</b>	<b>SG 44</b>	<b>A.MIG-0200</b>
<b>P Titanium</b>	<b>M 78</b>	<b>A.MIG-0193</b>



**NJ-22 ORAO**



**NEW 2024**

**1:48**

**1:72**

**1:144**

The J-22 Orao is a joint project of Yugoslavia and Romania – the countries which tried to pursue an independent policy in the aviation industry during the Cold War. In the beginning of this period, the fleet of Yugoslav and Romanian ground-attack and bomber aviation consisted of obsolete MiG-17 and F-86 types.

Development of the J-22 Orao began in 1970 by engineers and designers of the Yugoslav Aeronautical Technical Institute and the Romanian Institute of Science and Technology. The aircraft was powered by British Rolls-Royce Viper Mk 632-4IR engines, which were in license production in Yugoslavia and Romania. It was also equipped with British Martin-Baker ejection seats and Soviet GSh-23 cannons. This fact emphasizes the uniqueness and originality of the aircraft design.

Manufacturing on the first prototype of the ground-attack aircraft began in 1972. Two prototypes flew for the first time on 31 October 1974. The type was designated J-22 Orao in Yugoslavia and IAR-93 in Romania. A total of 165 ground-attack aircraft were built.

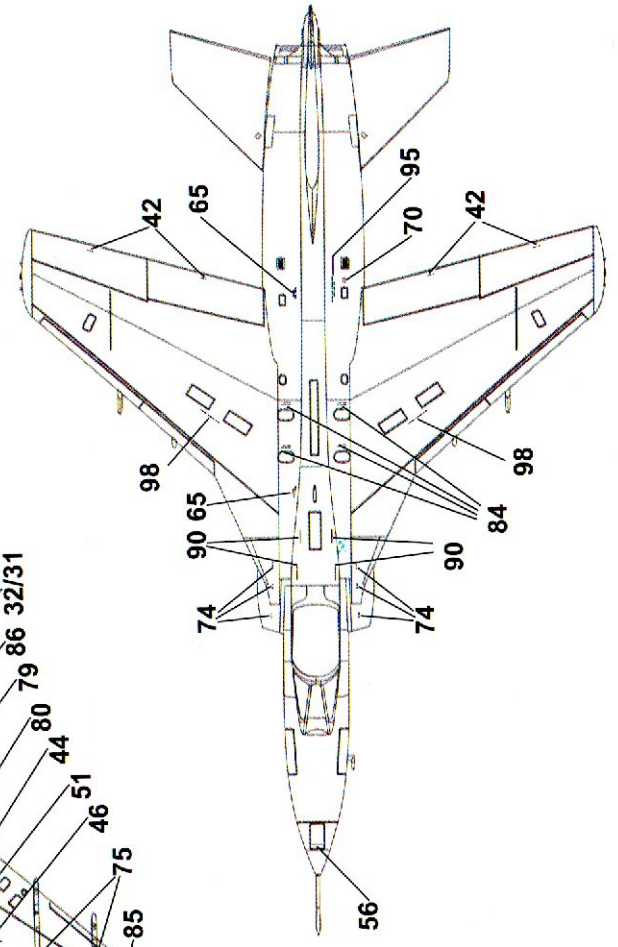
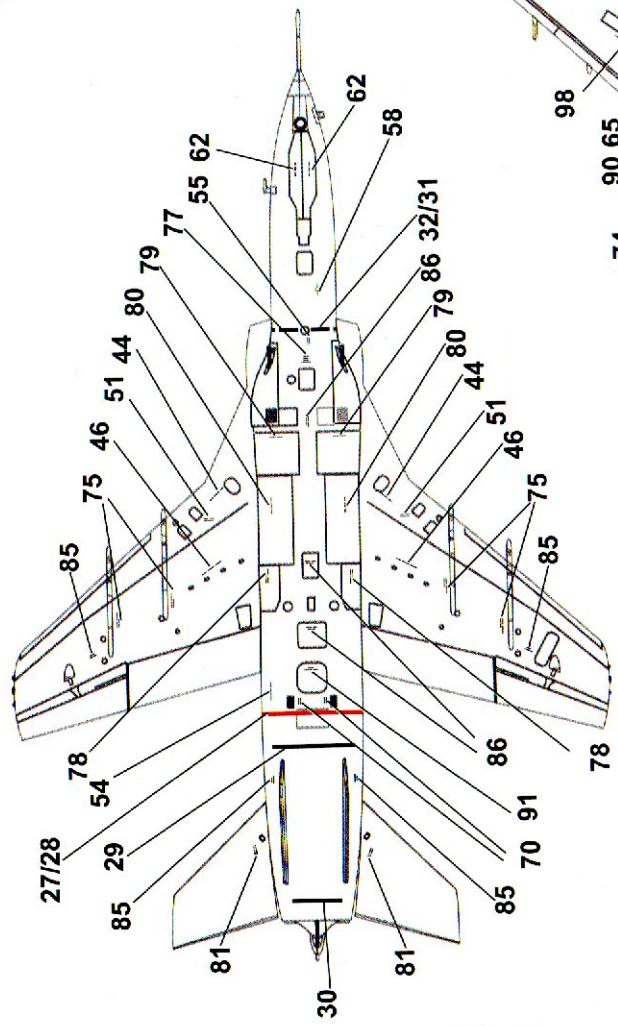
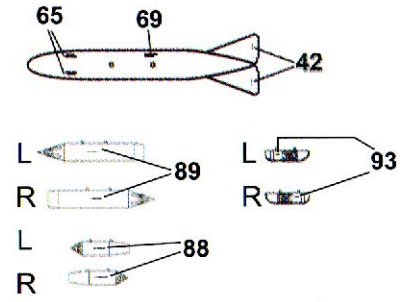
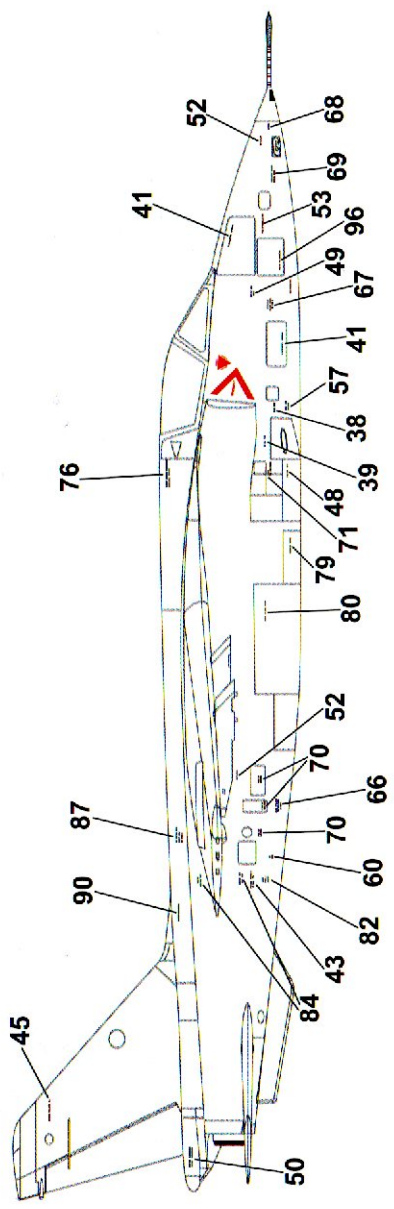
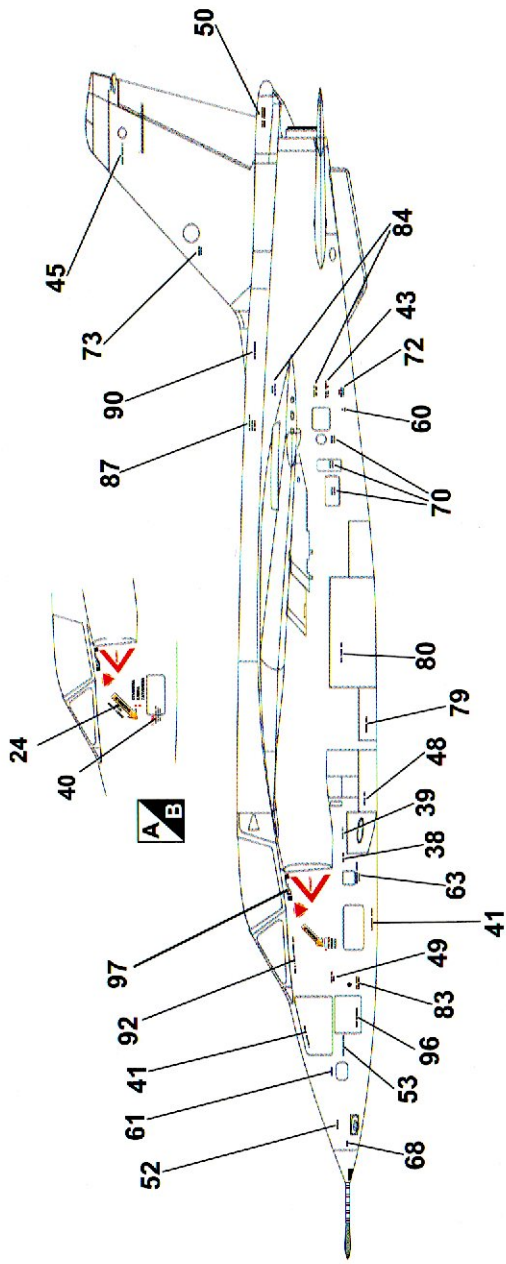
The J-22 Orao participated in almost all conflicts that unfolded at the territory of the former Yugoslavia. In addition to supporting ground troops, the J-22 pilots also claimed the destruction of a cruise missile.

At the present time the J-22 Orao remains in service with Serbian Air Force, and modernization of the type continues.

**e-mail: [info@litaki.com.ua](mailto:info@litaki.com.ua)  
[www.litaki.com.ua](http://www.litaki.com.ua)**

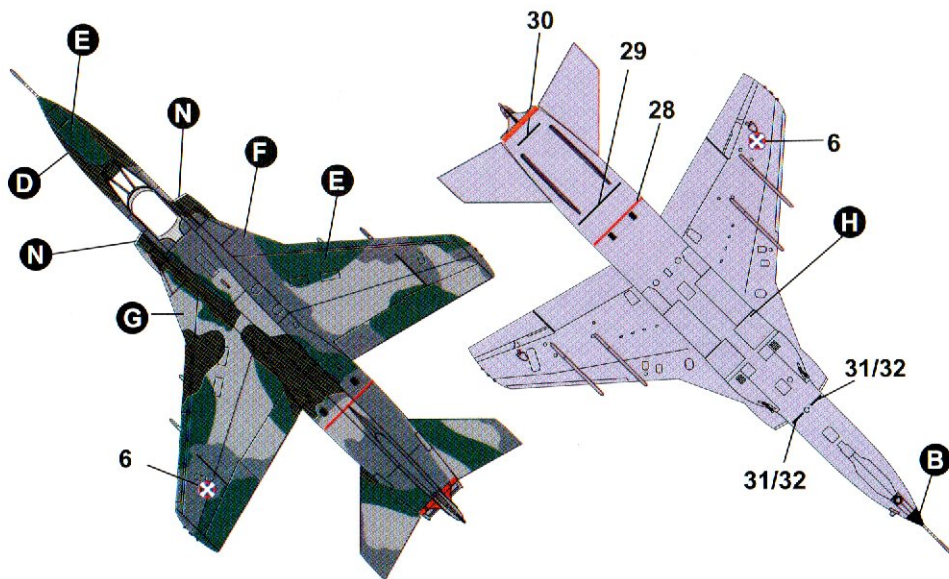
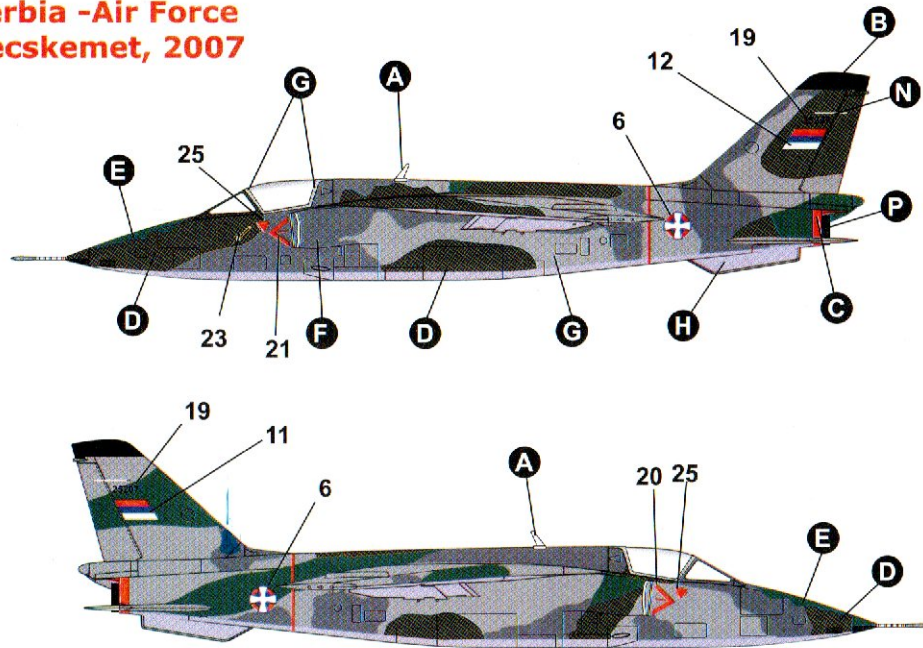


# Stencils Application Scheme

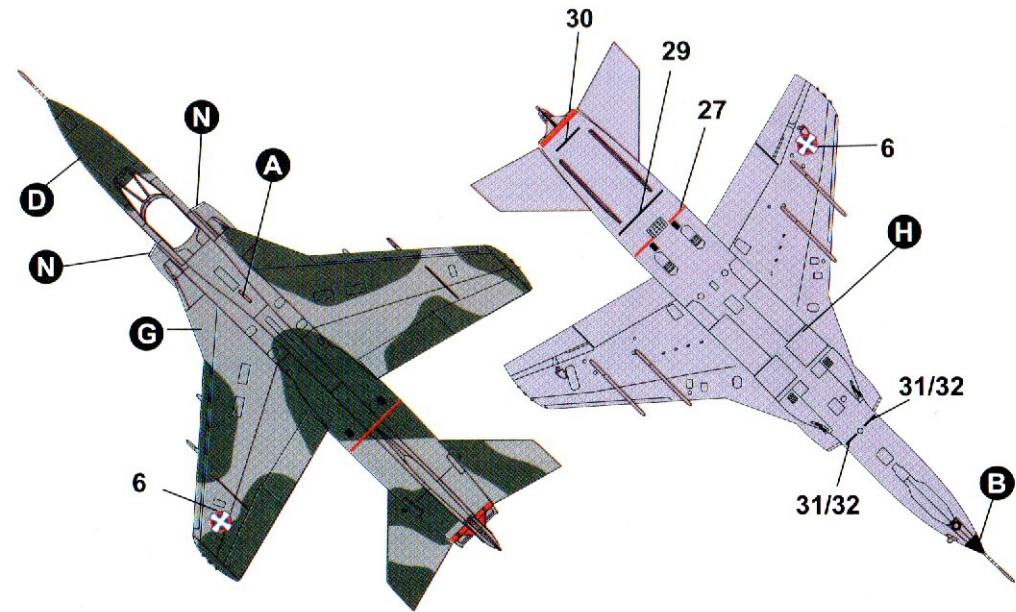
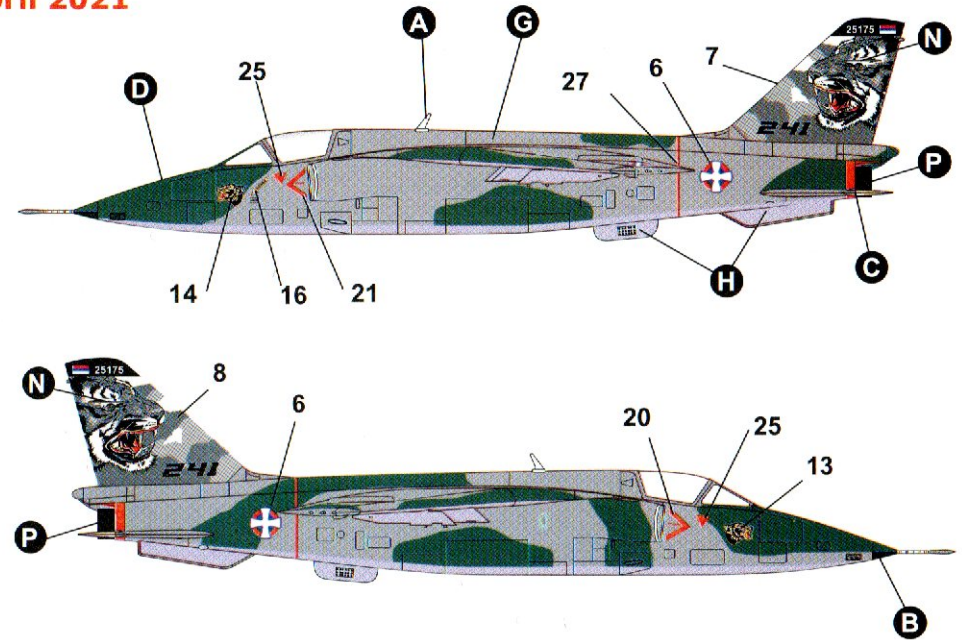




**J-22 ORAO 25207**  
**Serbia -Air Force**  
**Kecskemet, 2007**

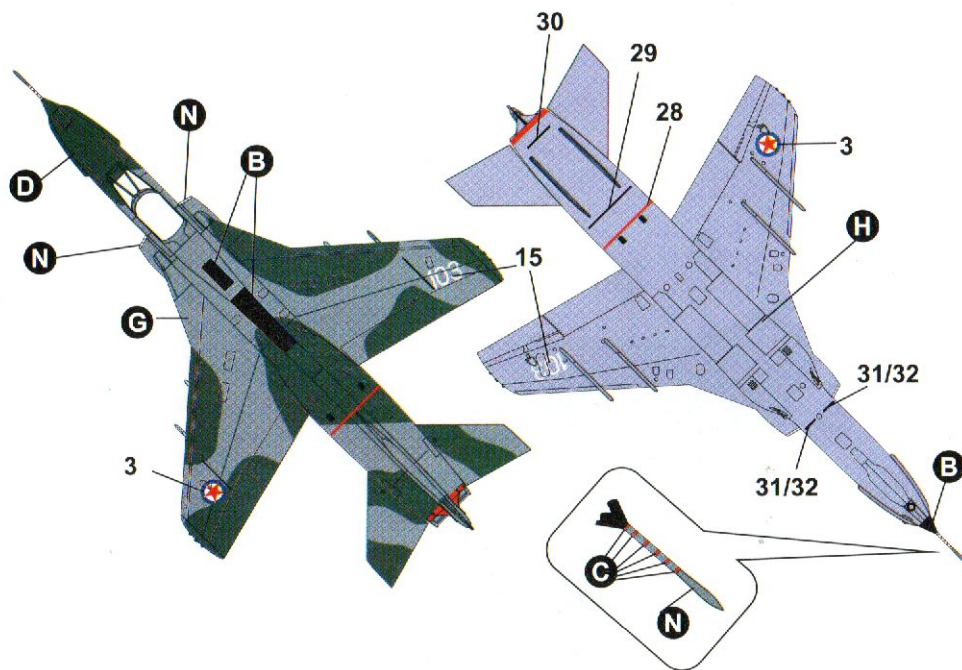
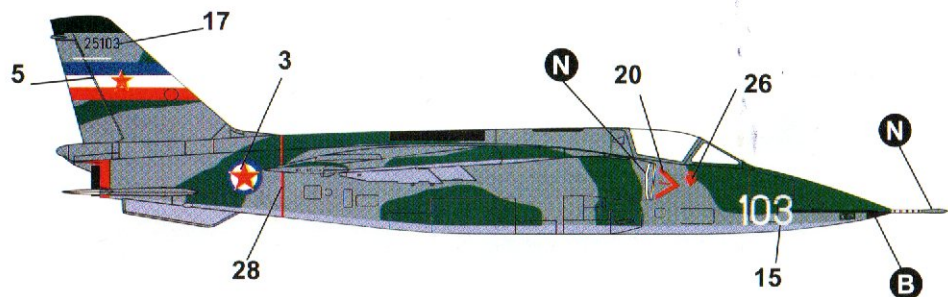
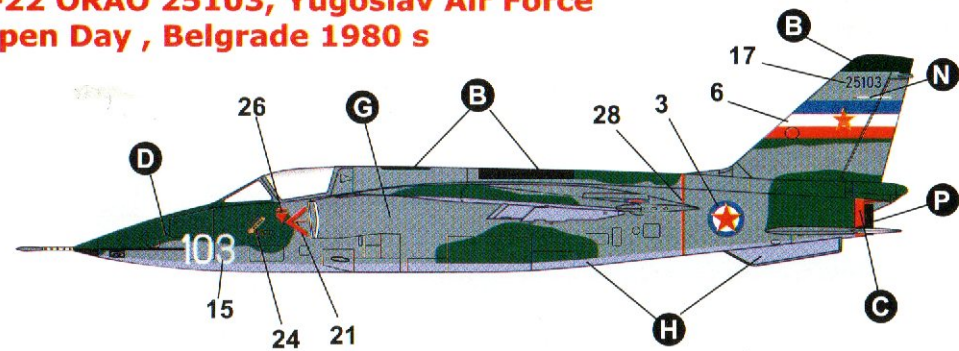


**J-22 ORAO 25175**  
**60th anniversary of the 241st Squadron**  
**April 2021**





**J-22 ORAO 25103, Yugoslav Air Force  
Open Day , Belgrade 1980 s**



**J-22 ORAO 25102 board 407  
Yugoslav Air Force,  
Air Show Le Bourget 1987**

