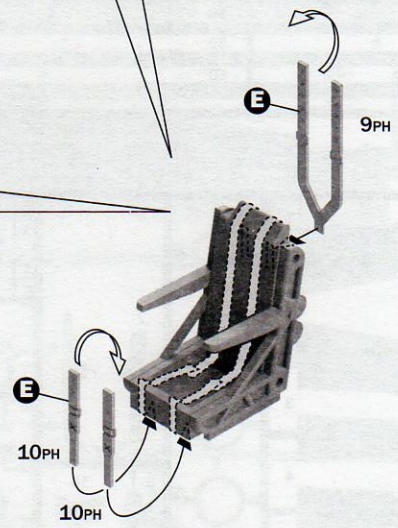
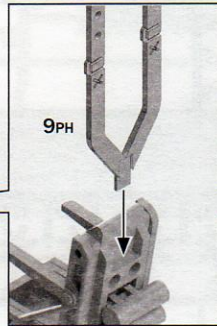
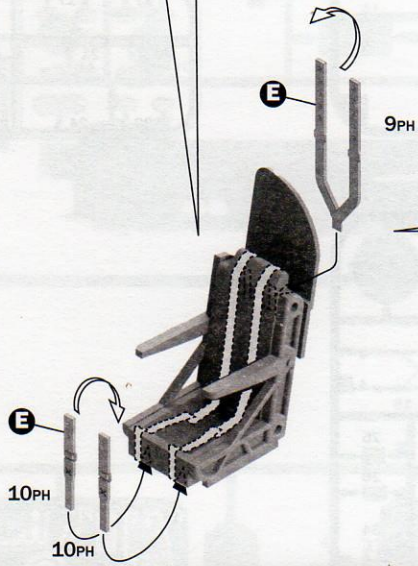
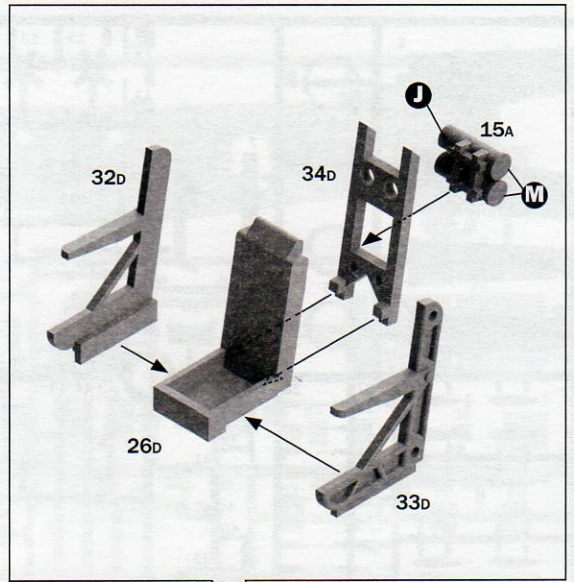
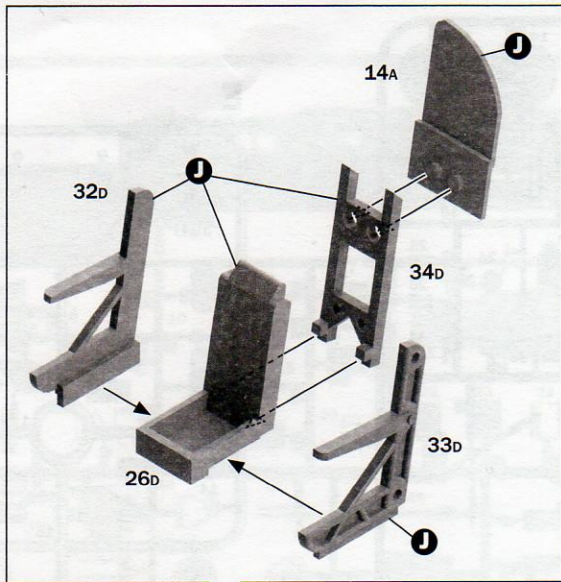
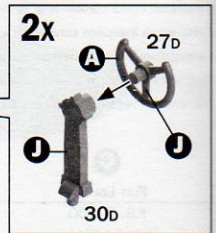
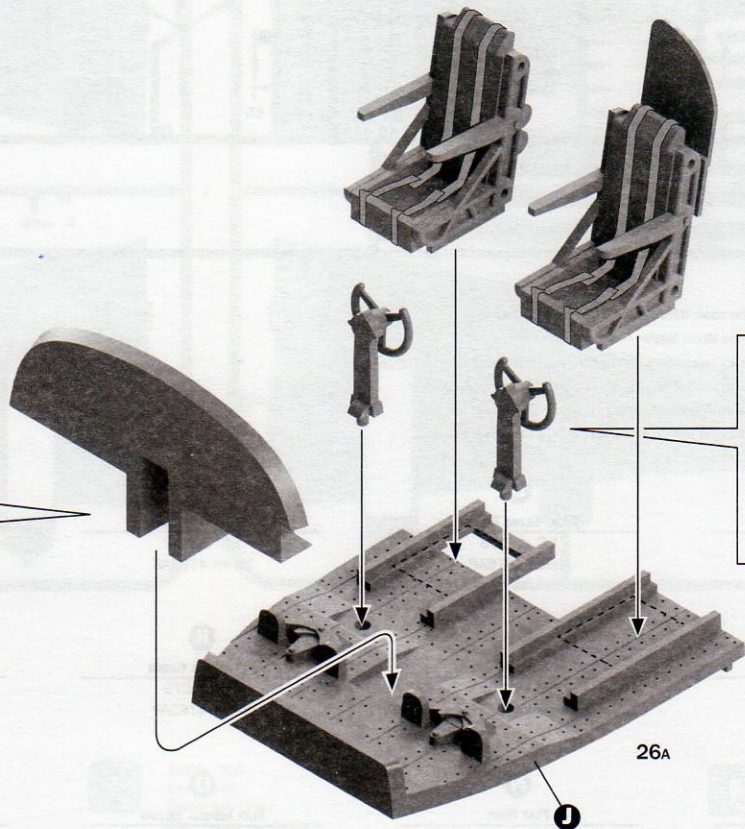
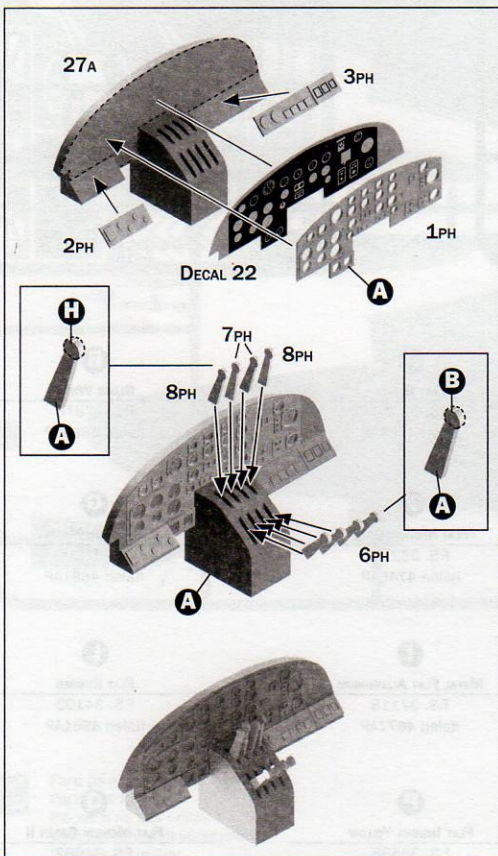


1

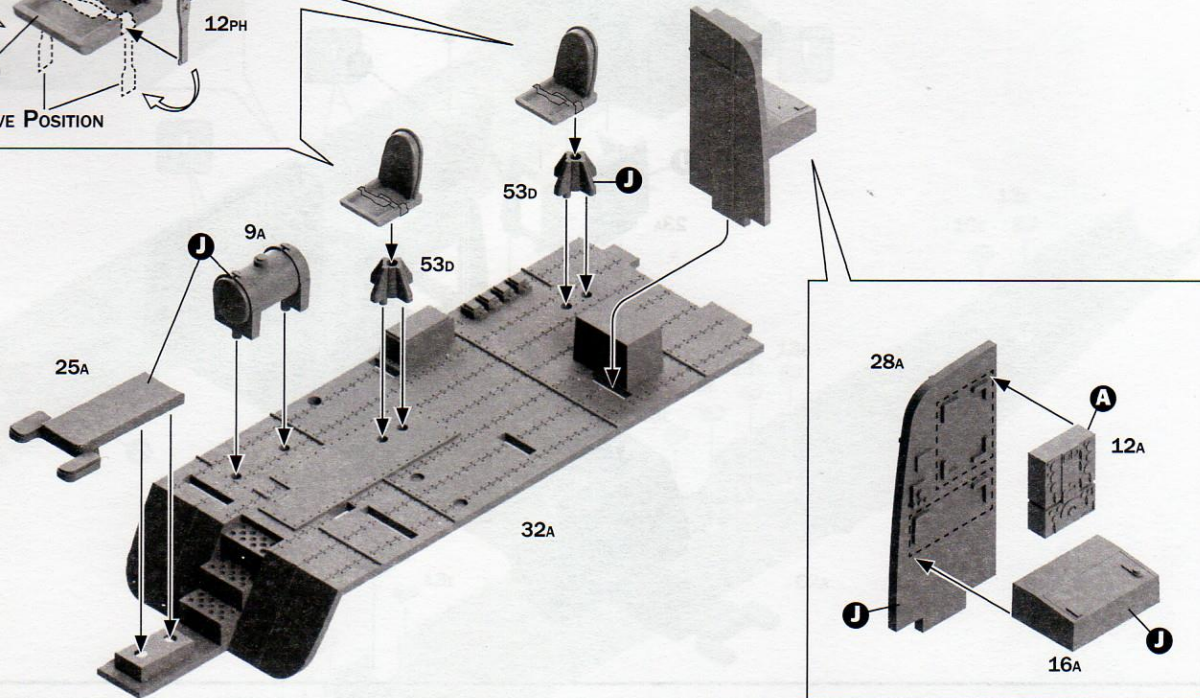
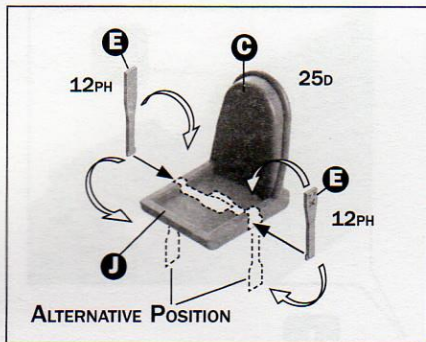


2

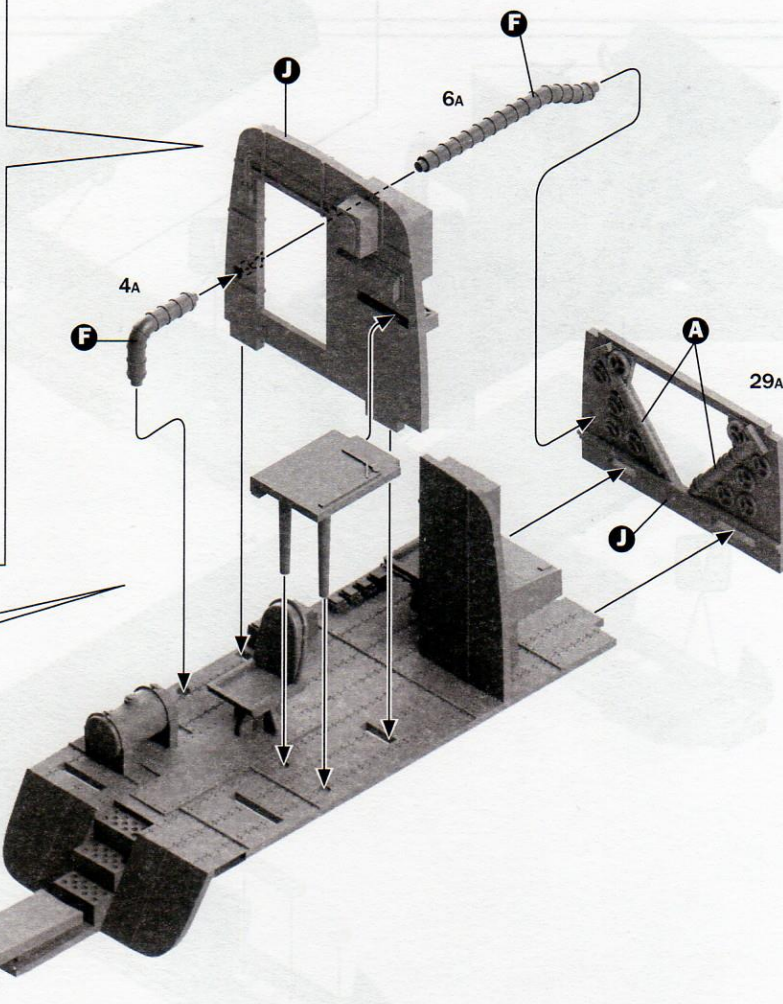
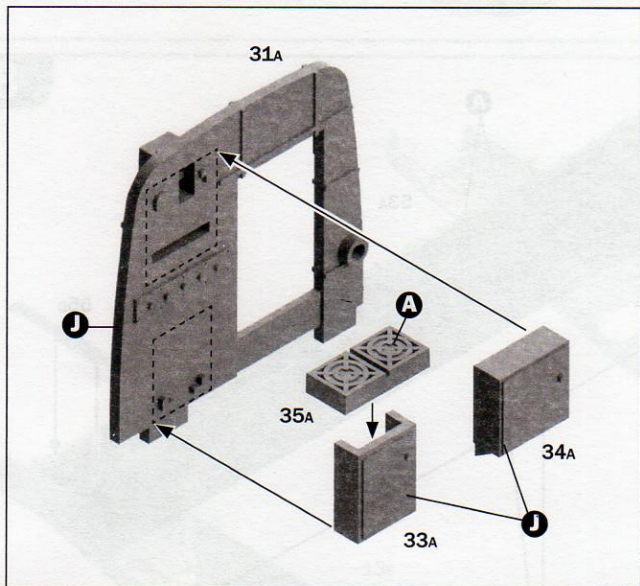
A



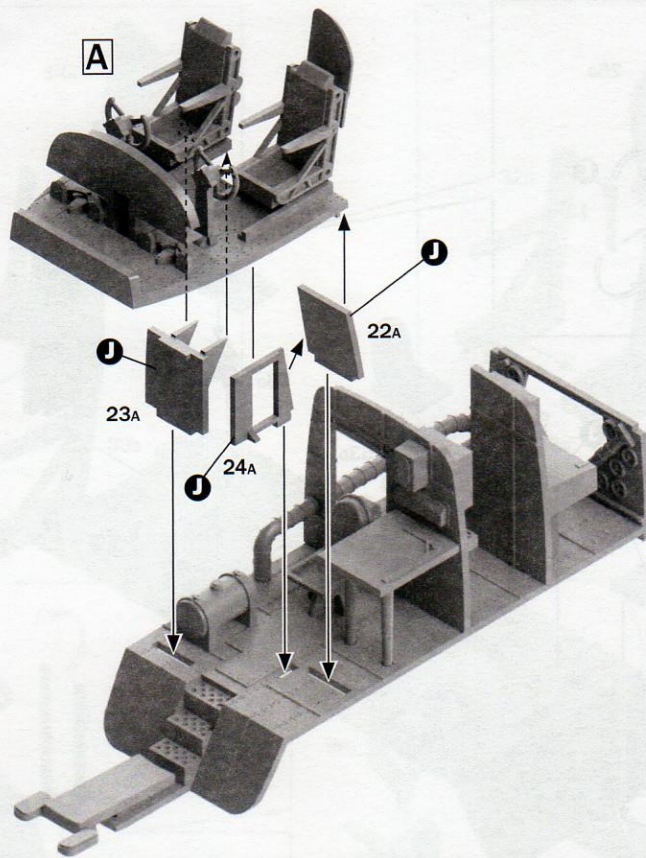
3



4

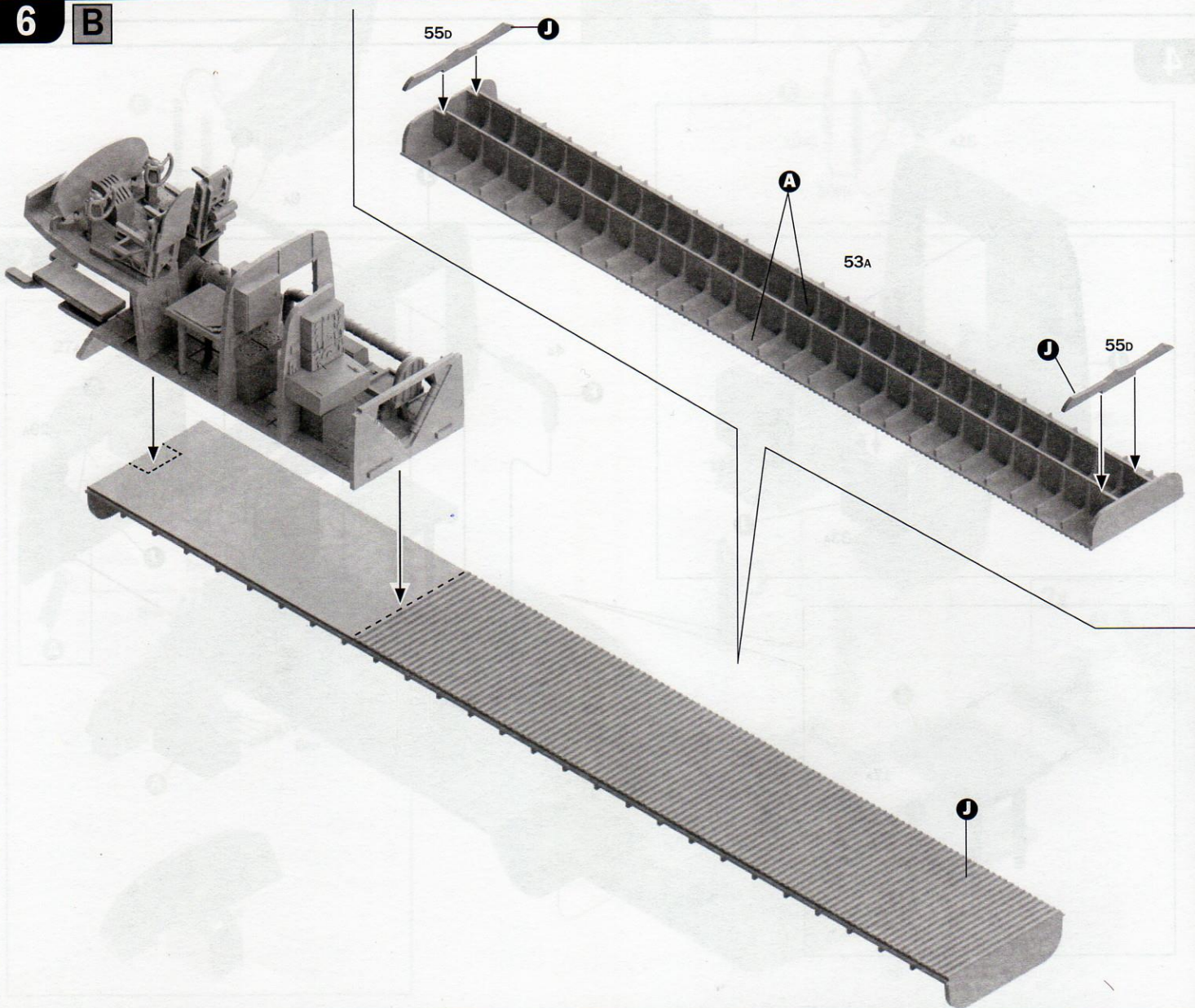


5

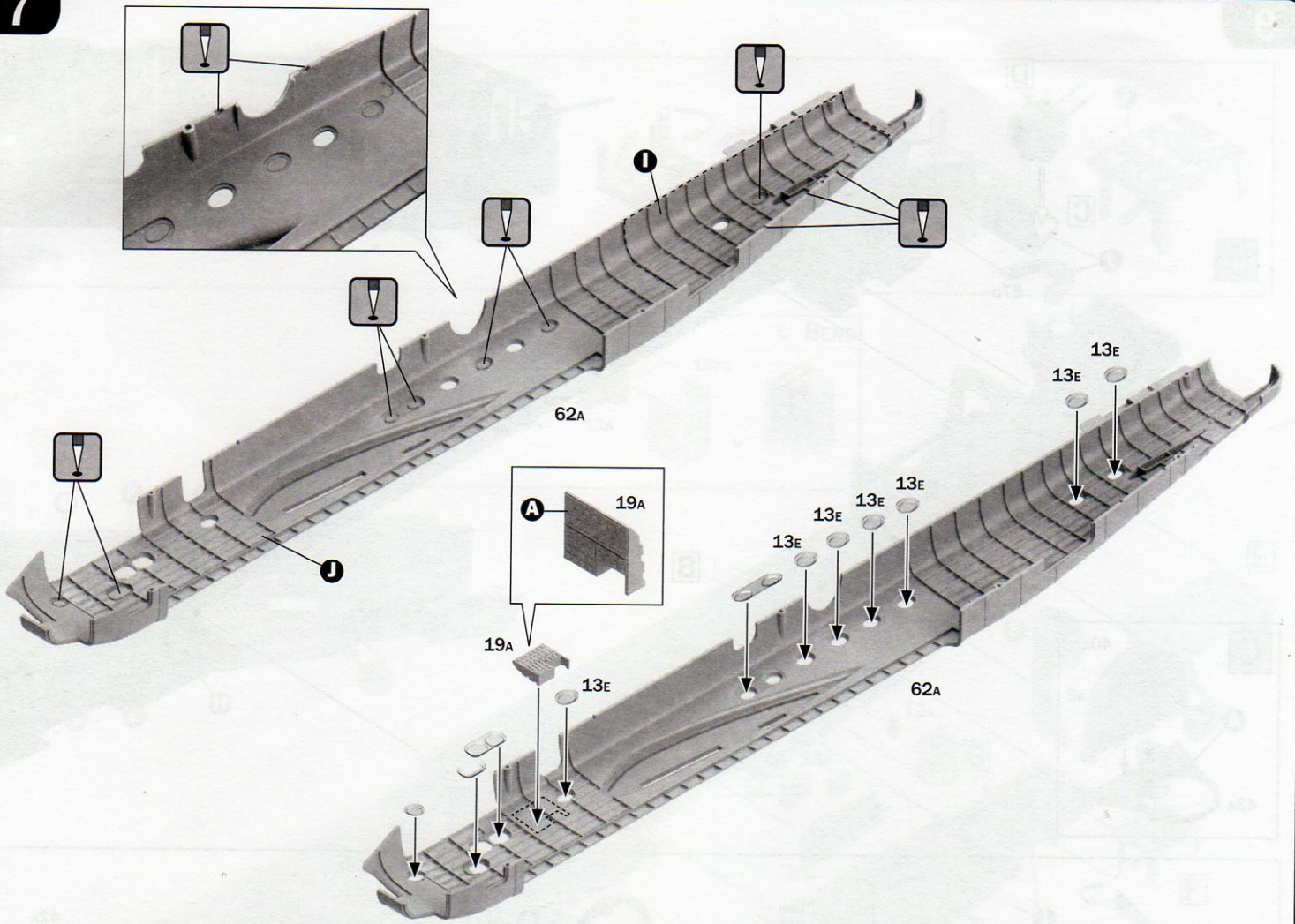


6

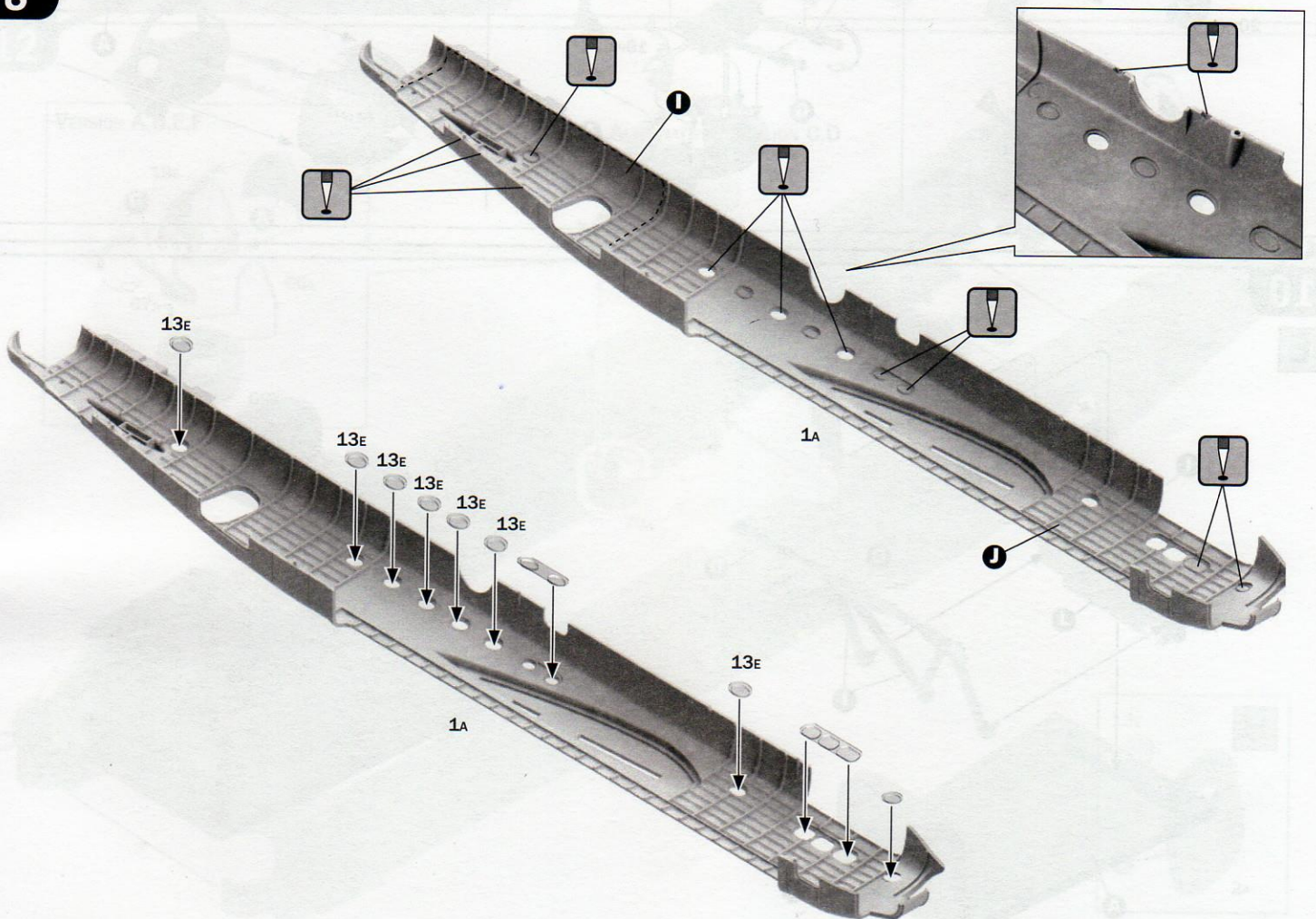
B

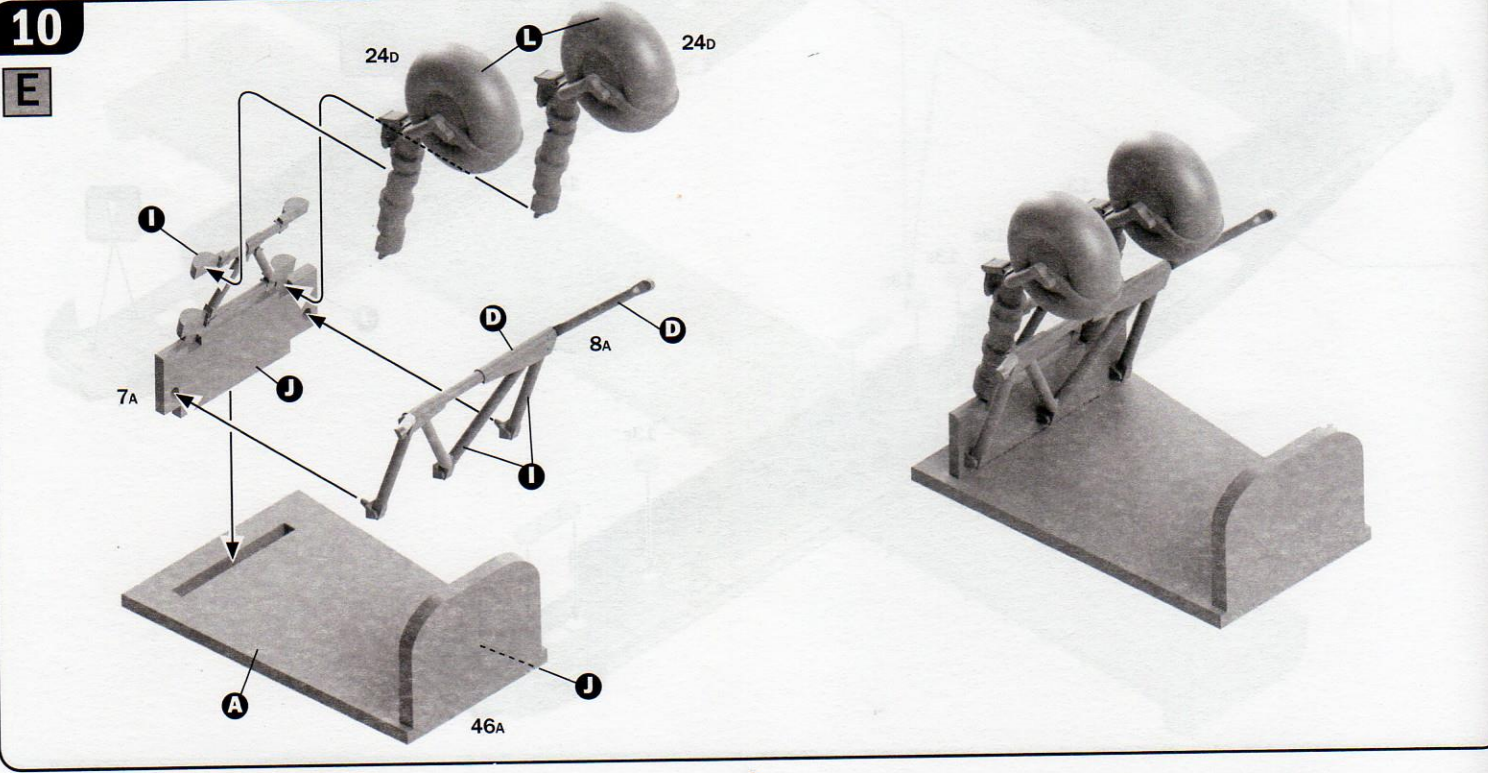
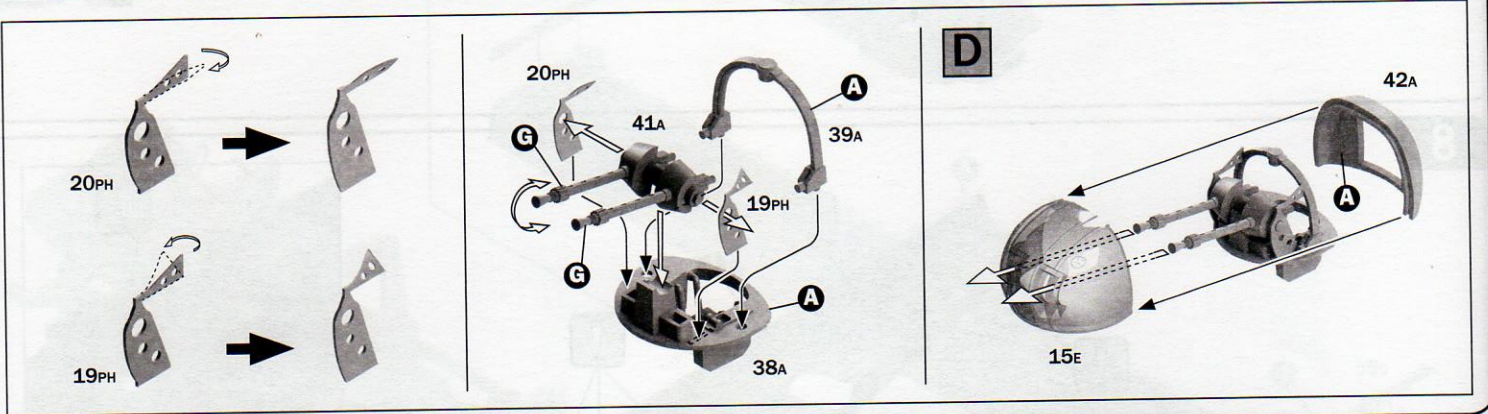
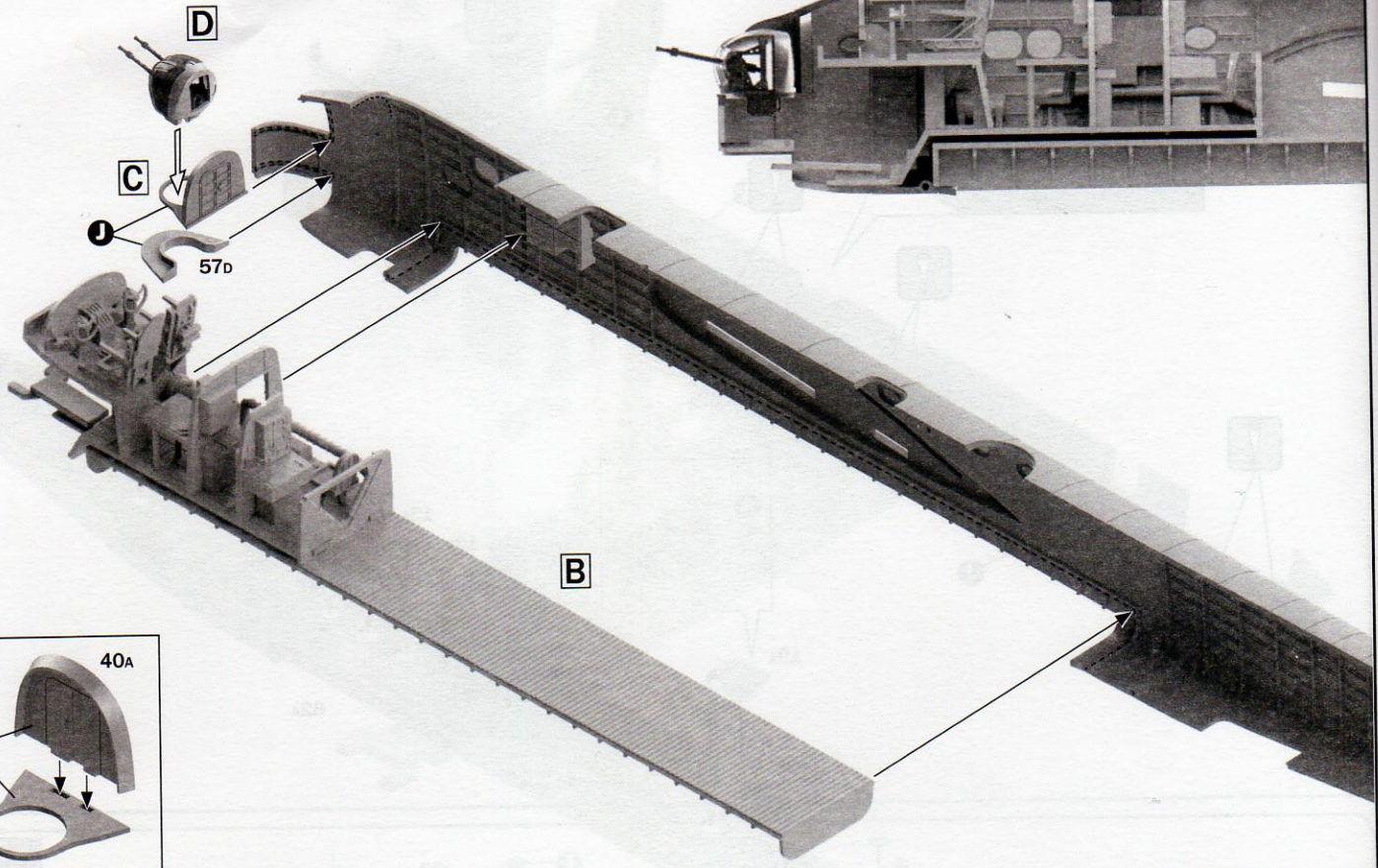


7

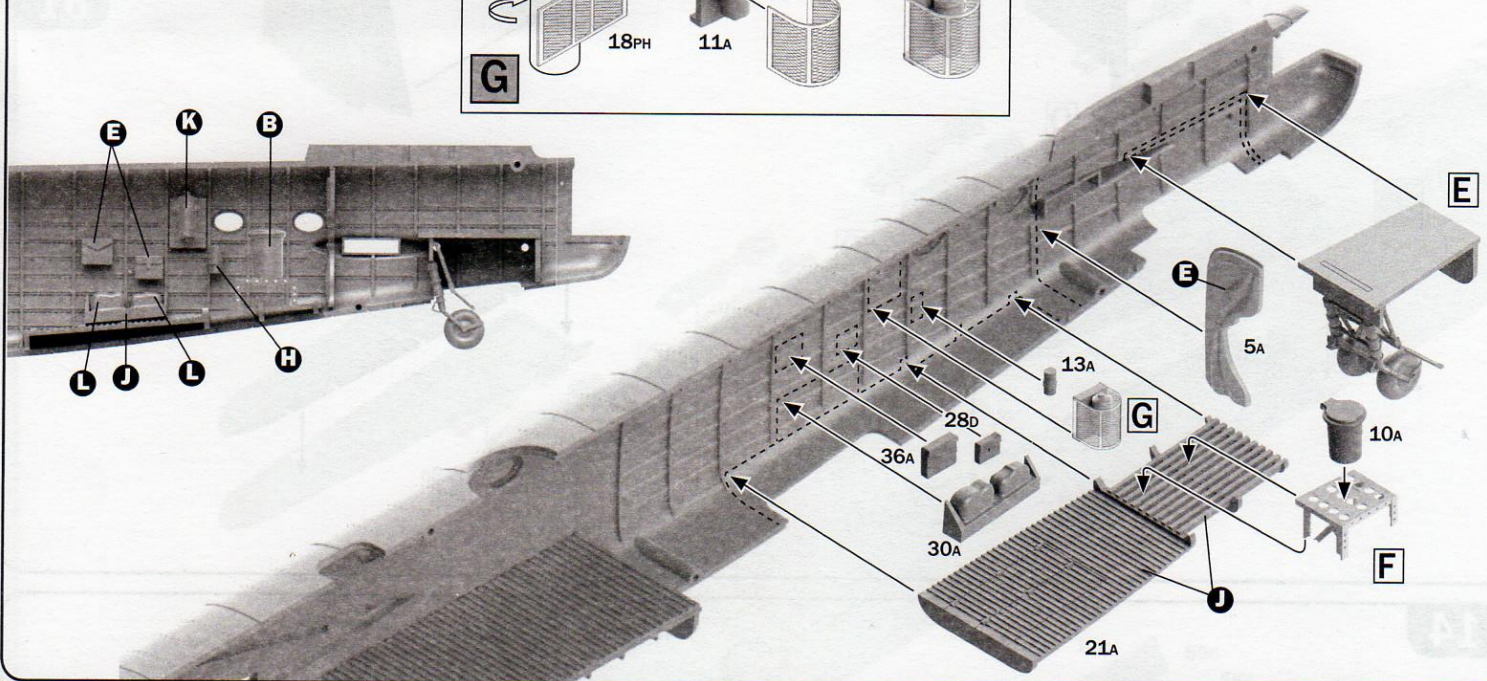
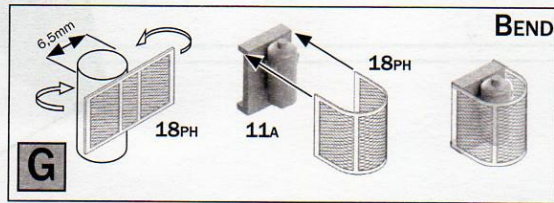
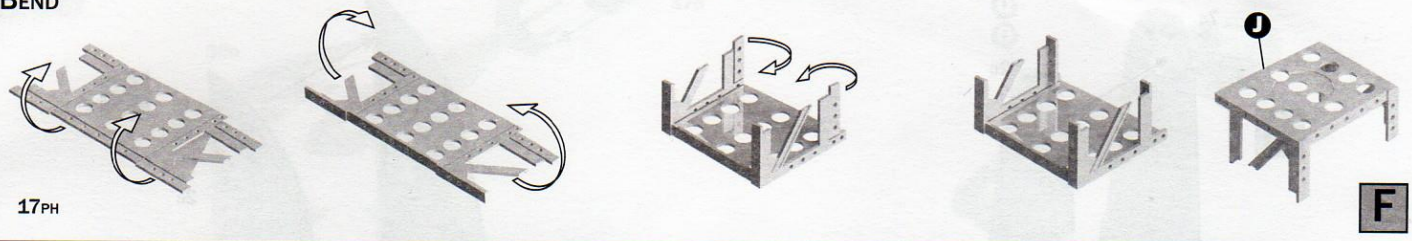


8

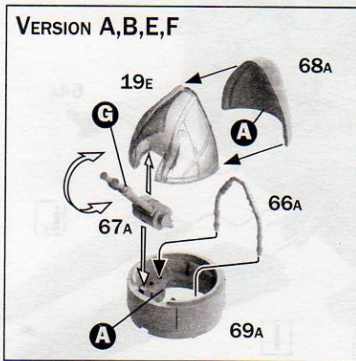




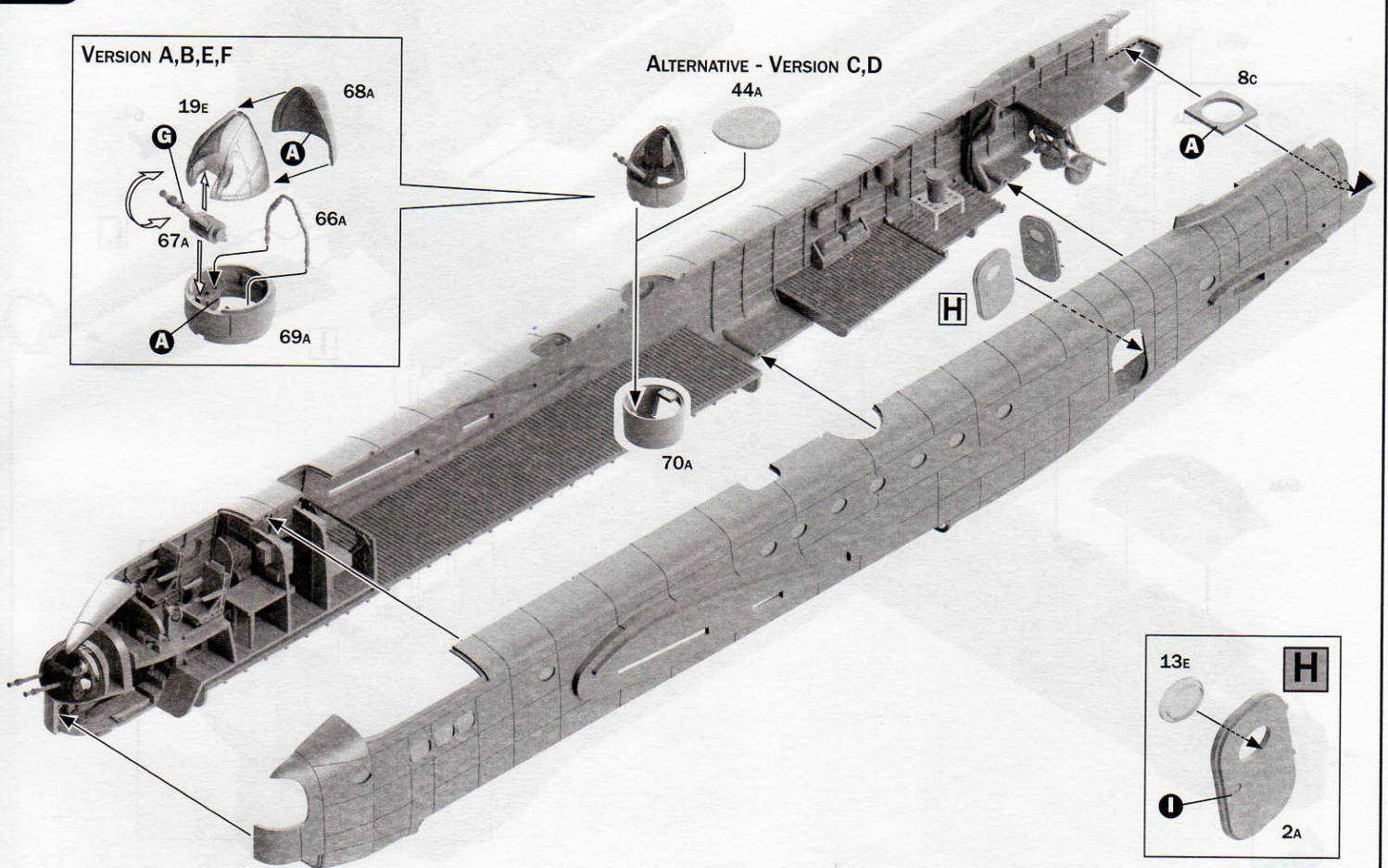
BEND

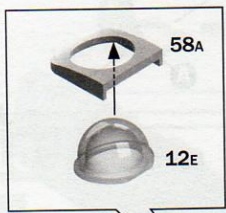
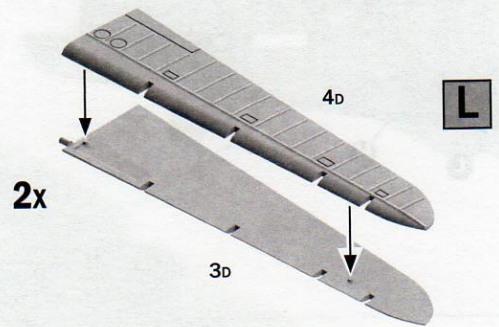
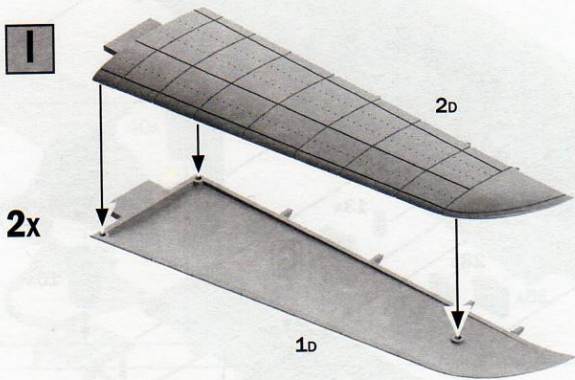
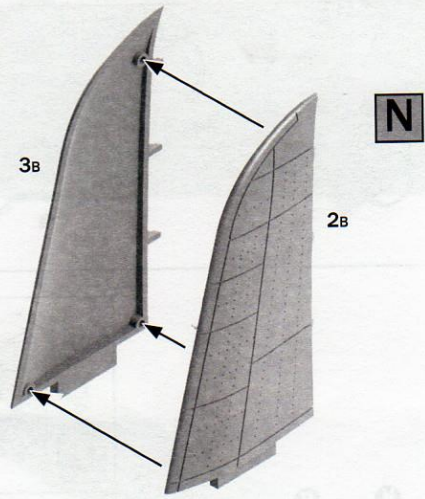
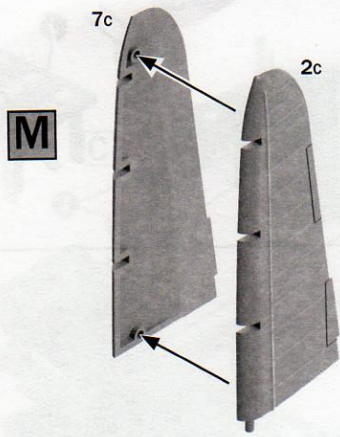


VERSION A,B,E,F

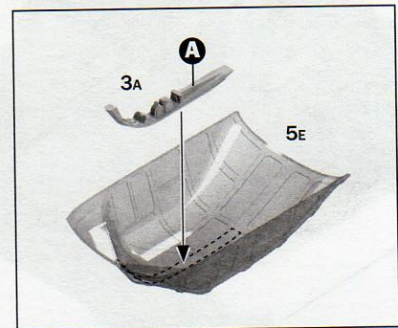
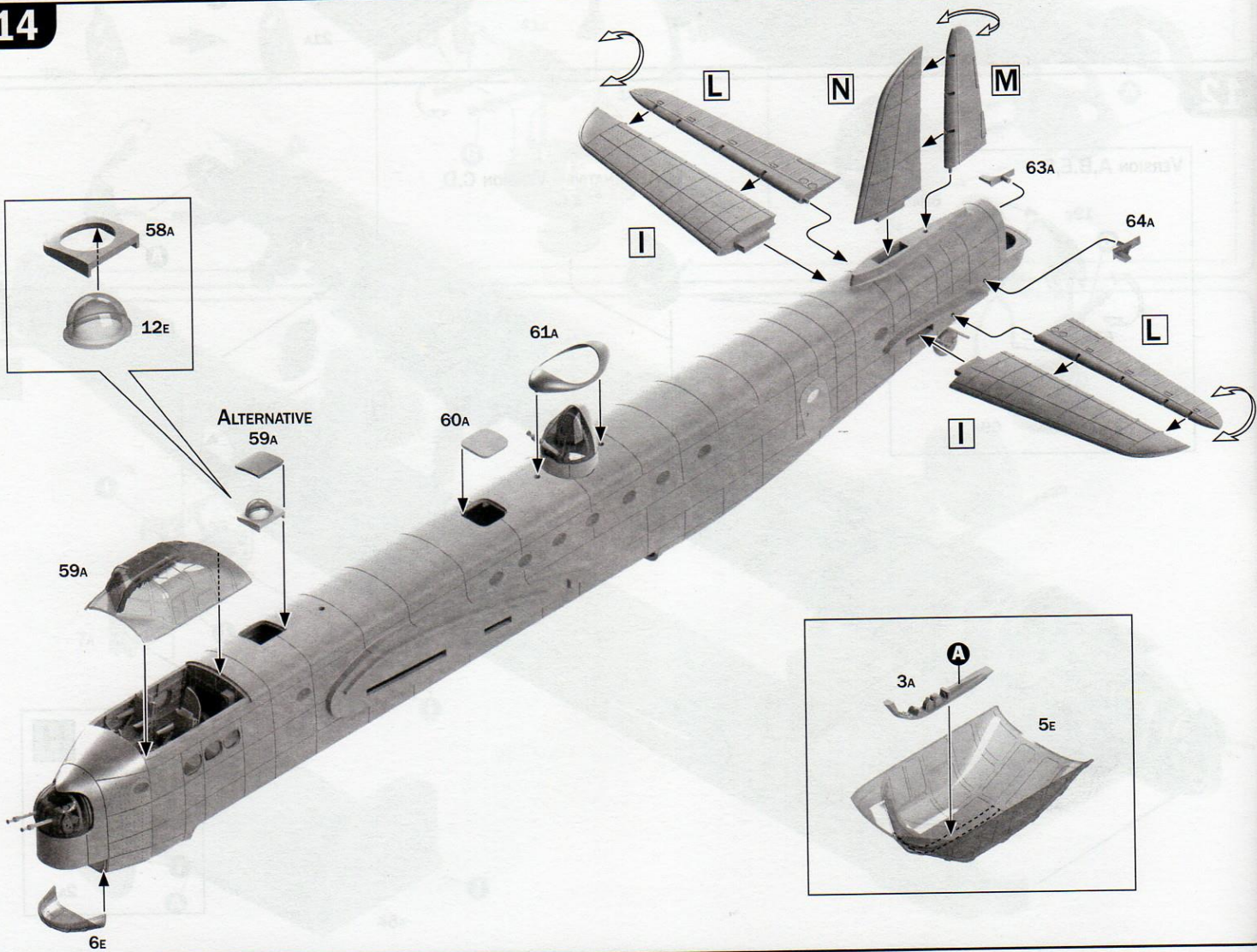


ALTERNATIVE - VERSION C,D



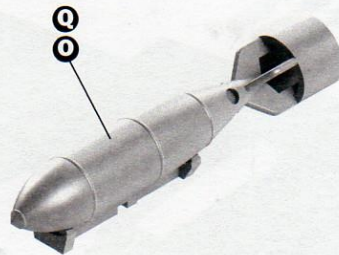
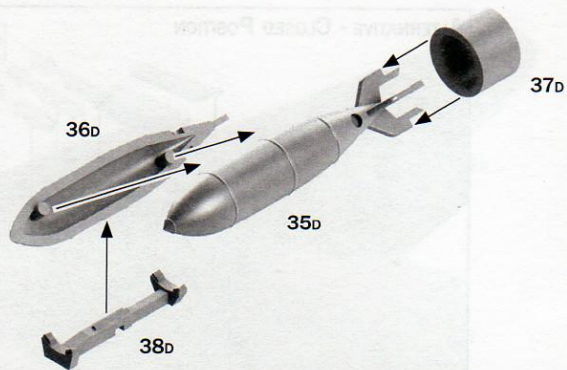


ALTERNATIVE 59A

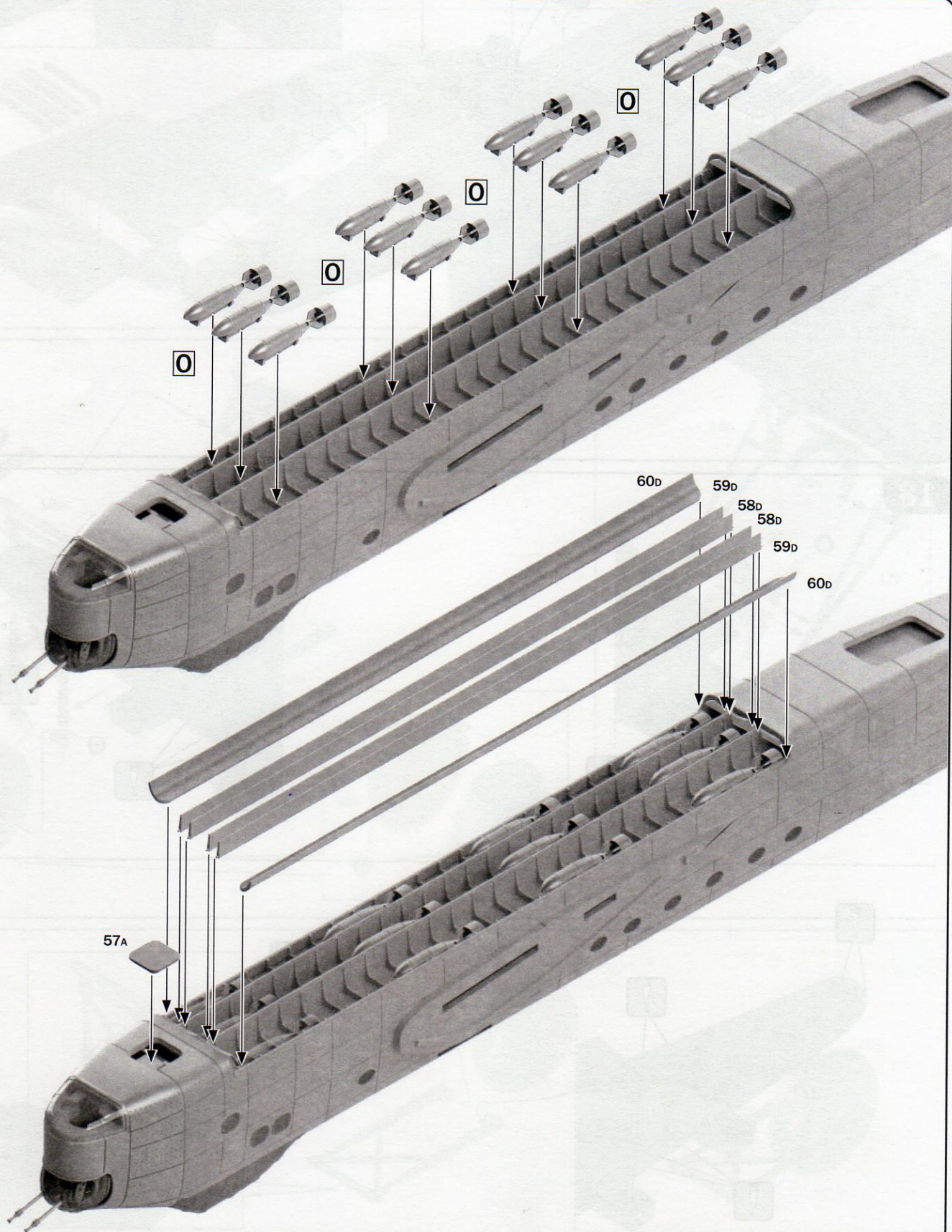


15

0 18x

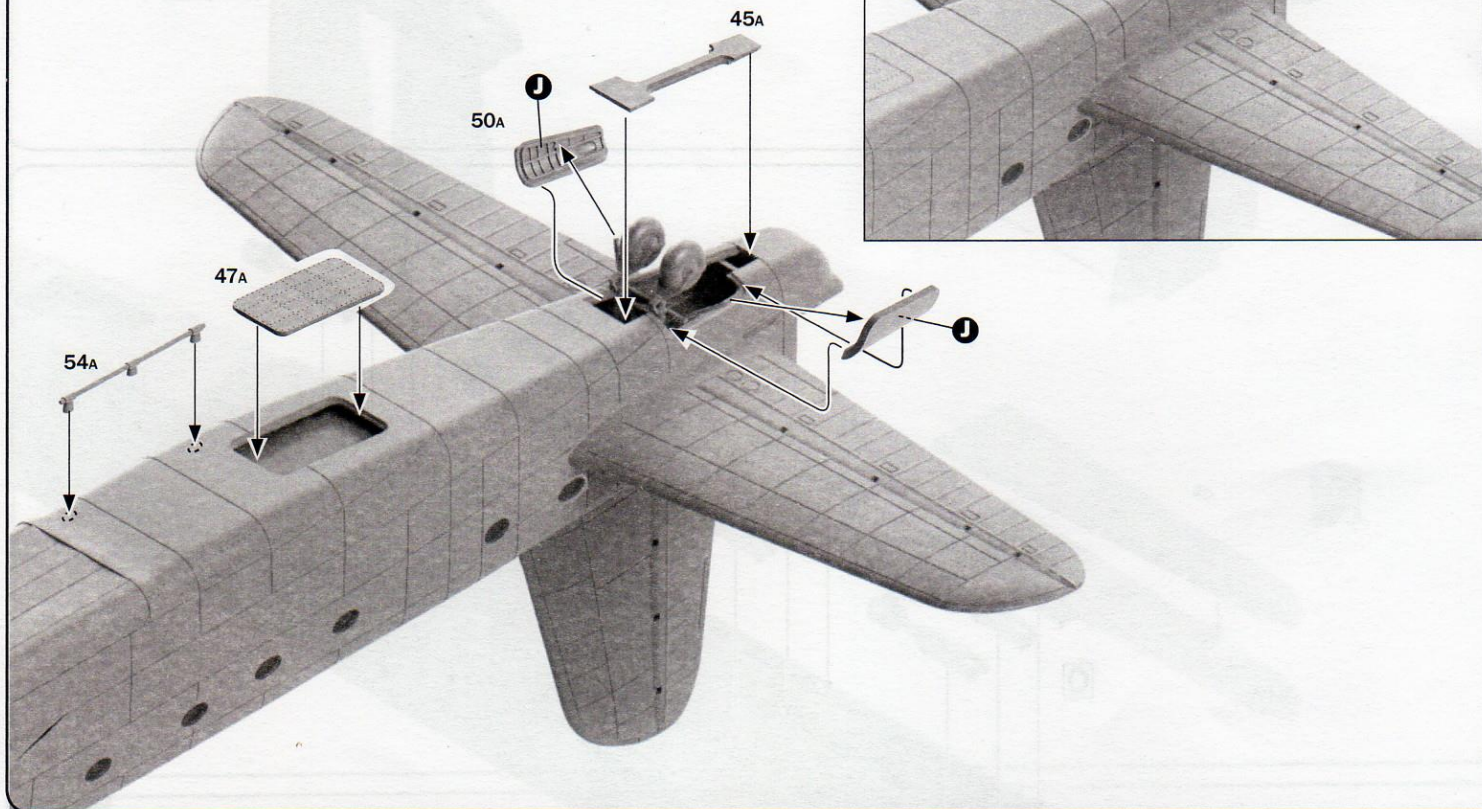


16

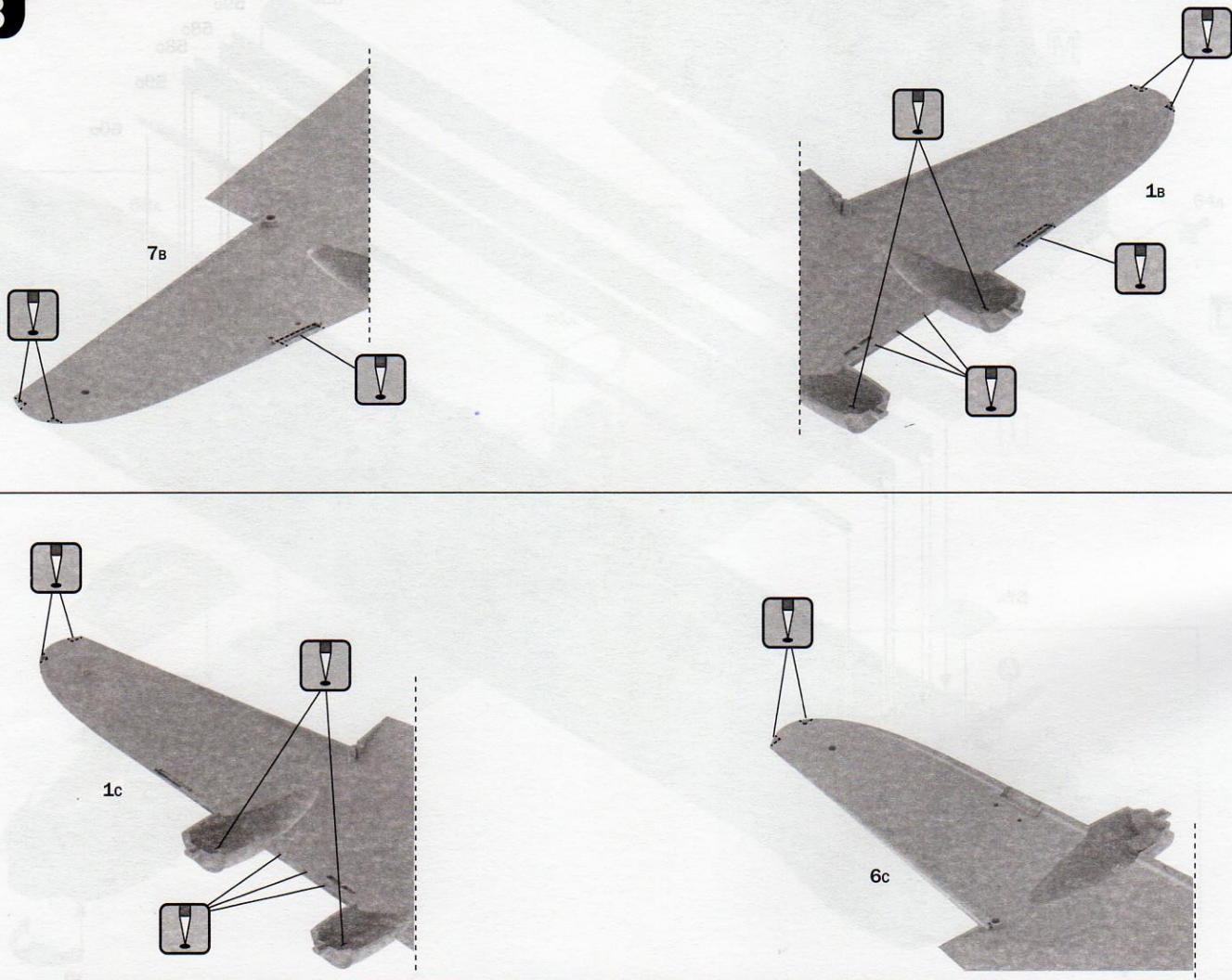


17

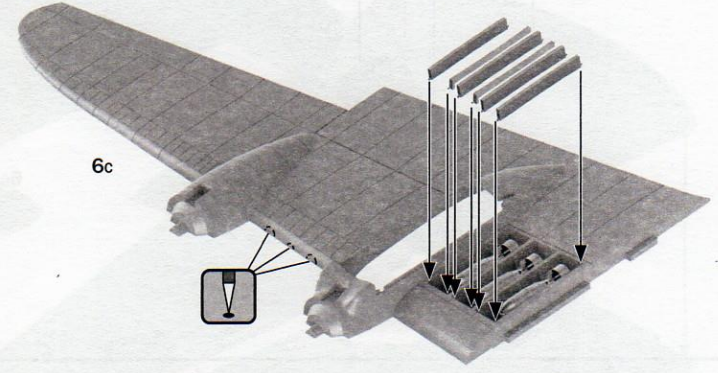
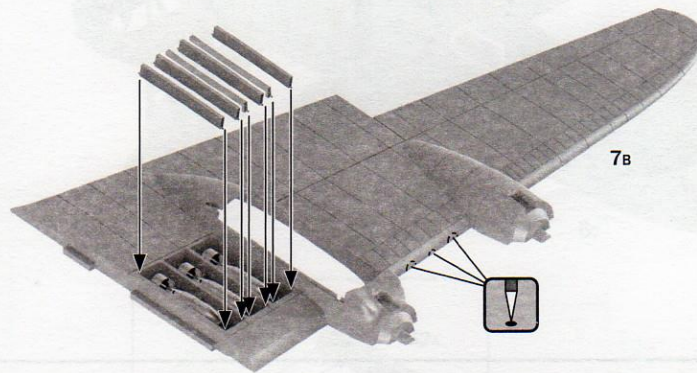
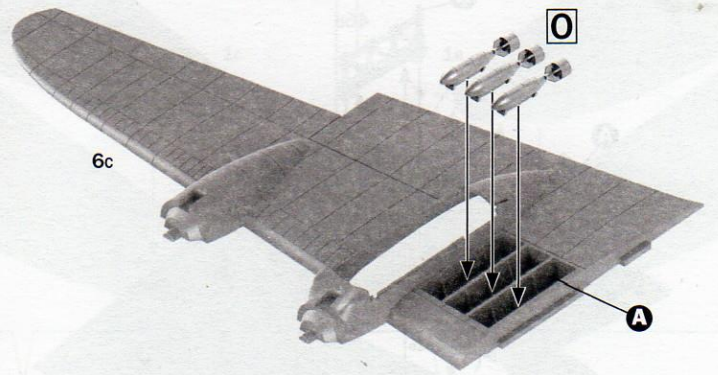
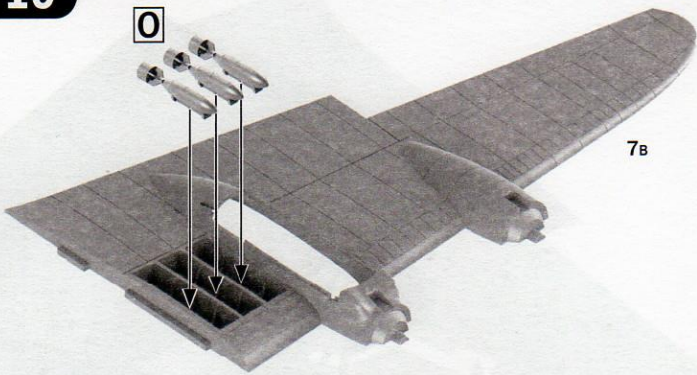
ALTERNATIVE - CLOSED POSITION



18

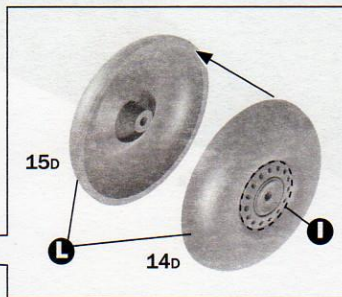
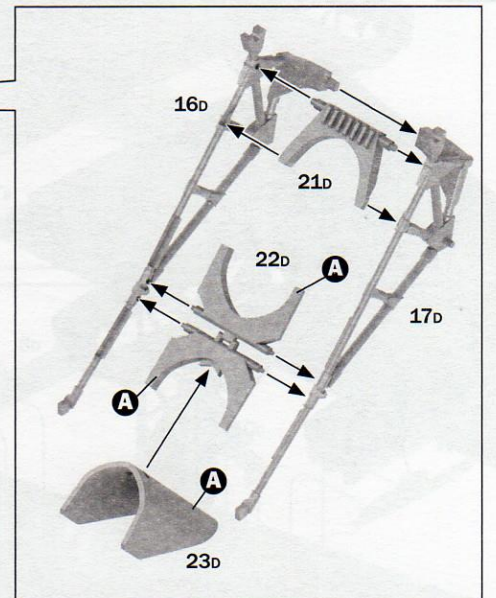
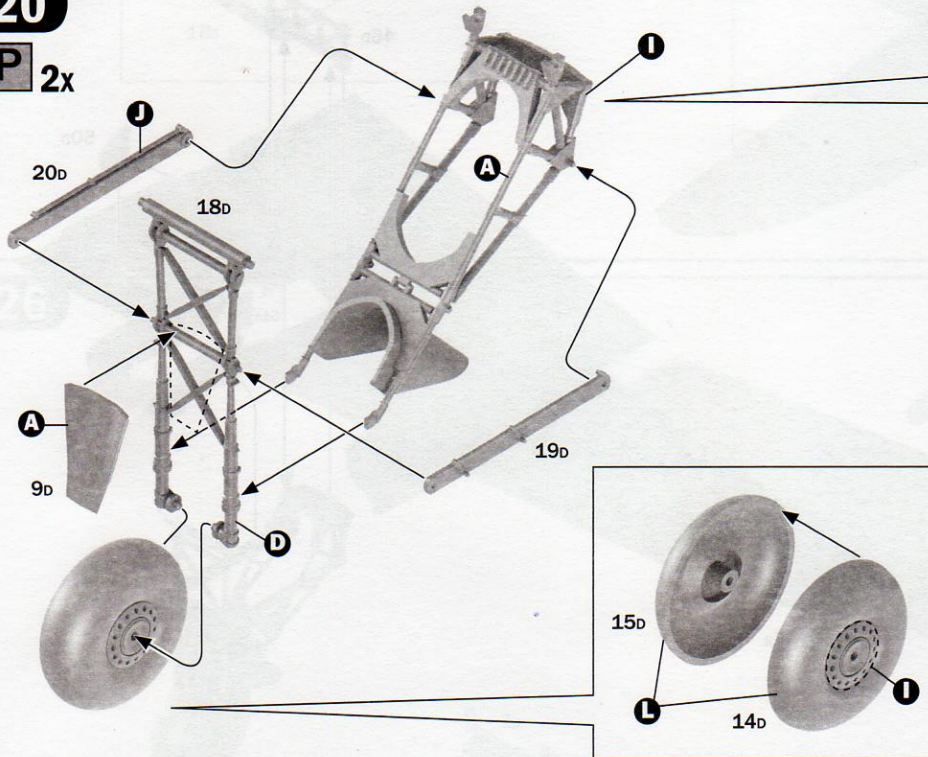


19



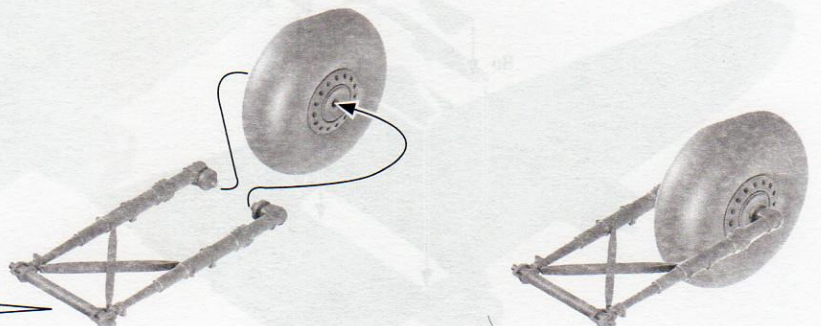
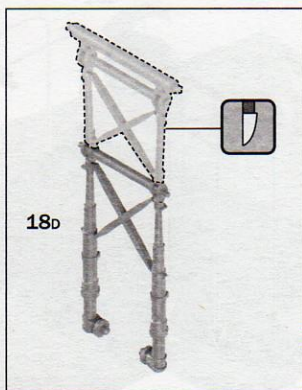
20

P 2x

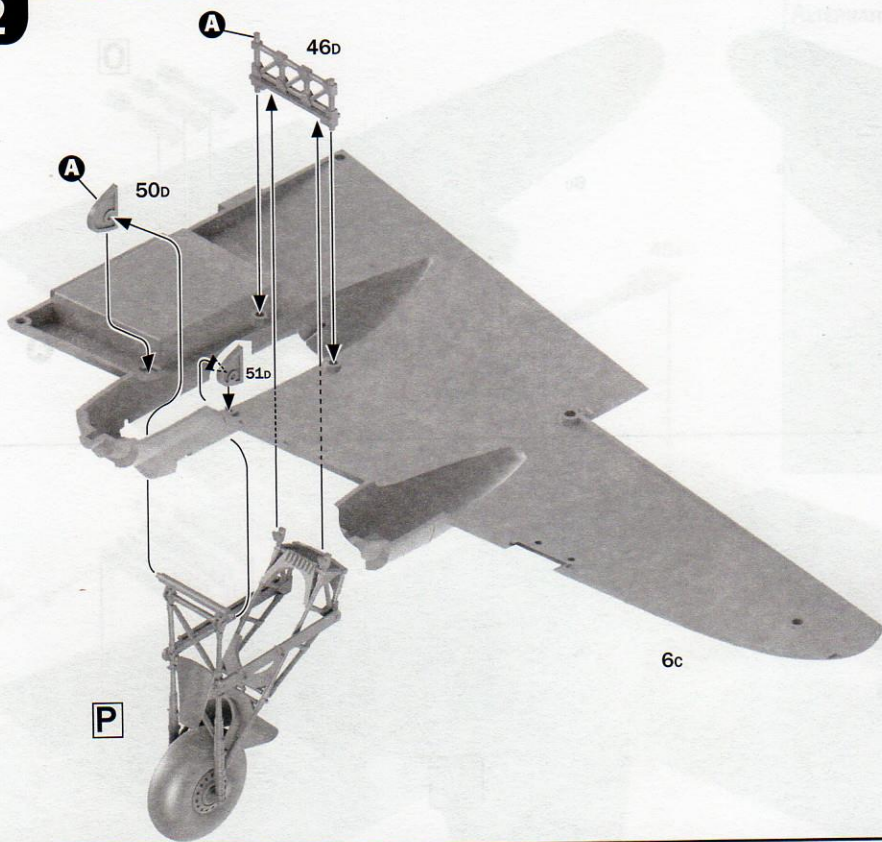


21 2x

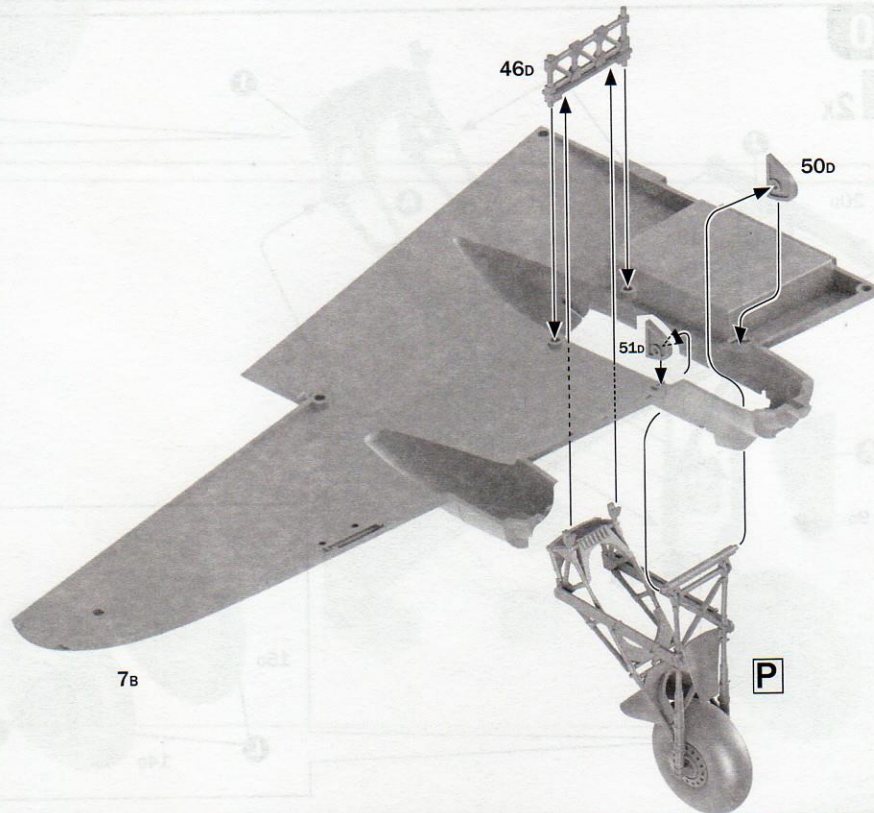
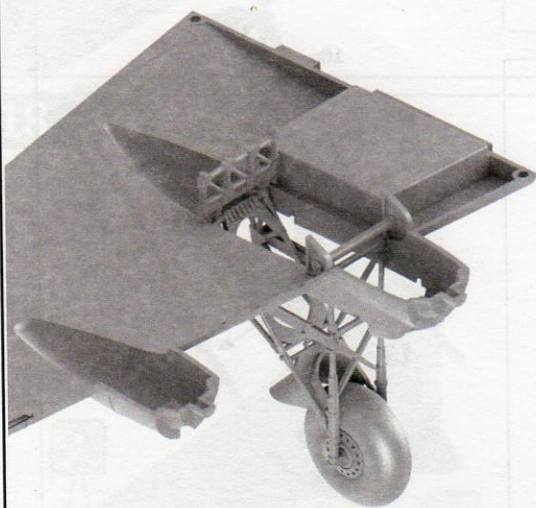
ALTERNATIVE CLOSED POSITION



22

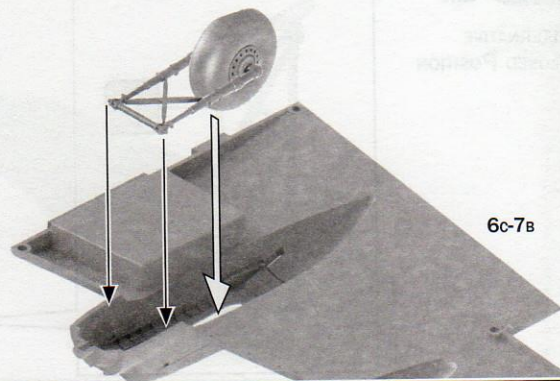
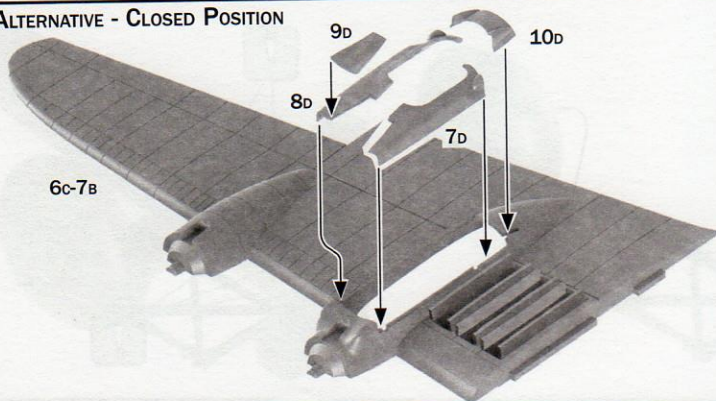


23

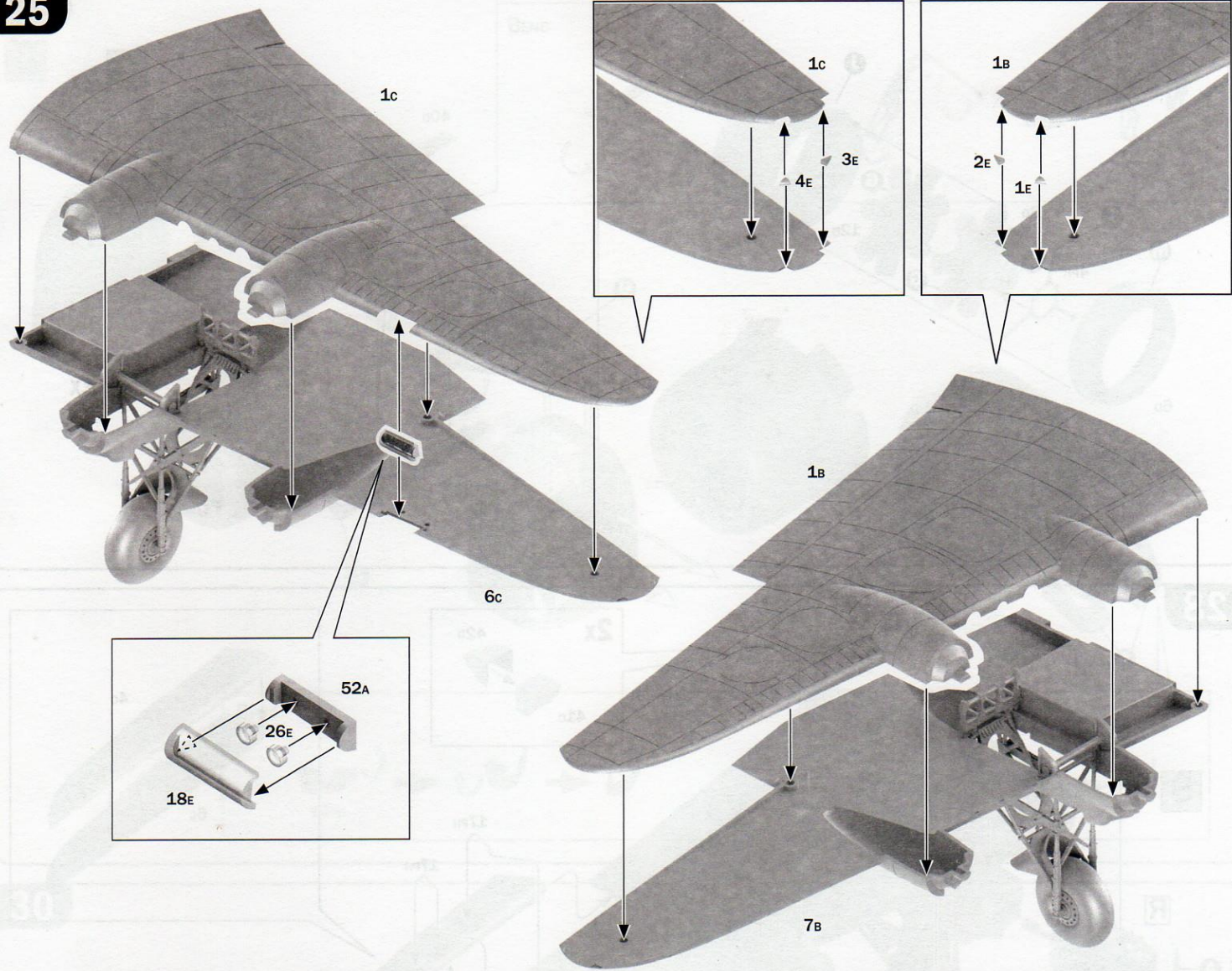


24

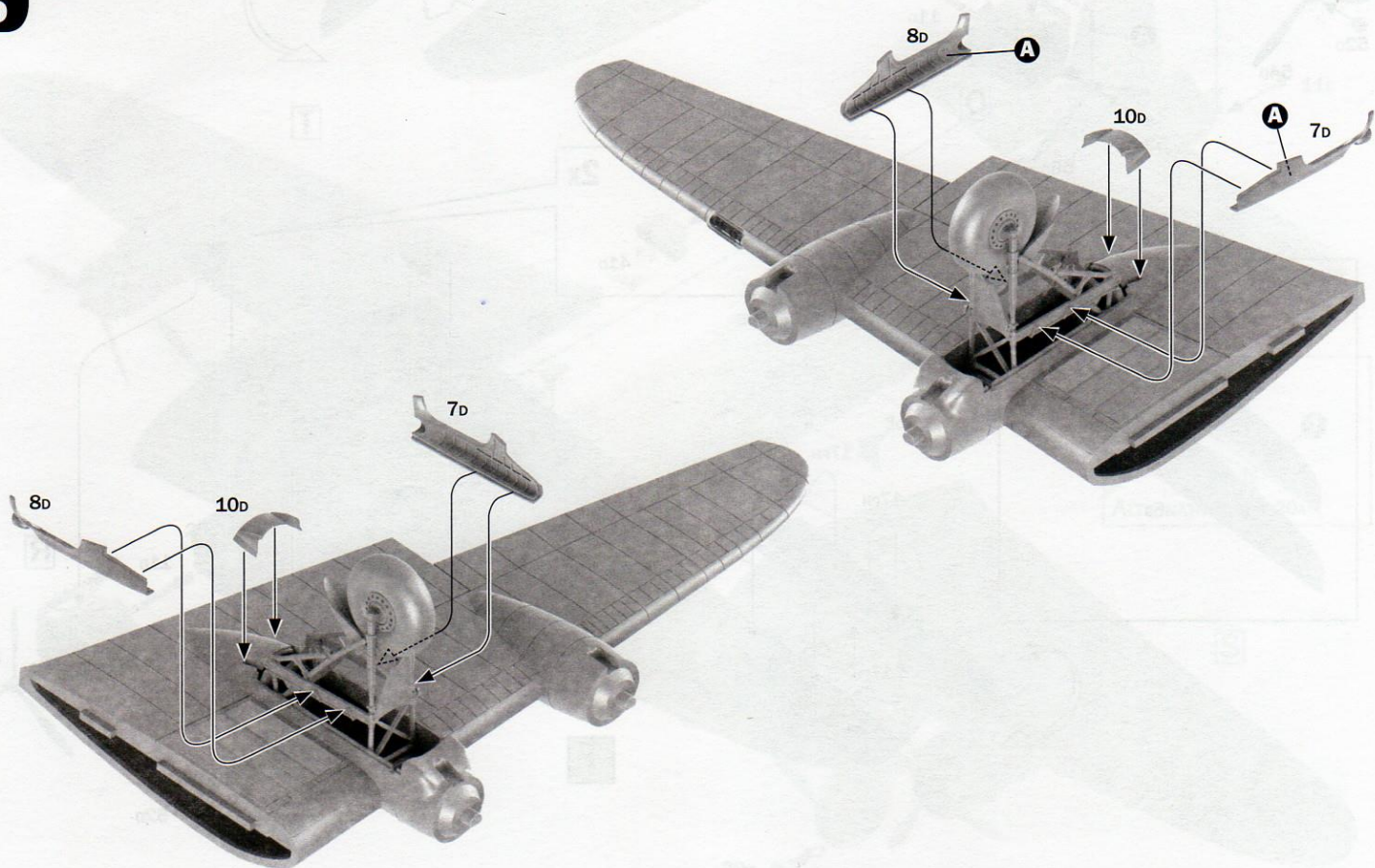
ALTERNATIVE - CLOSED POSITION



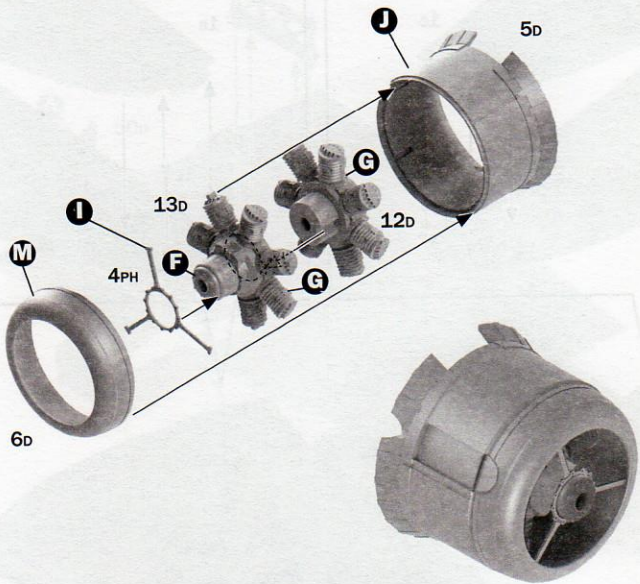
25



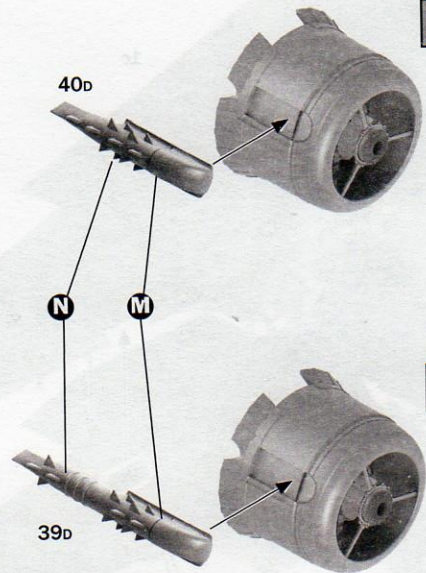
26



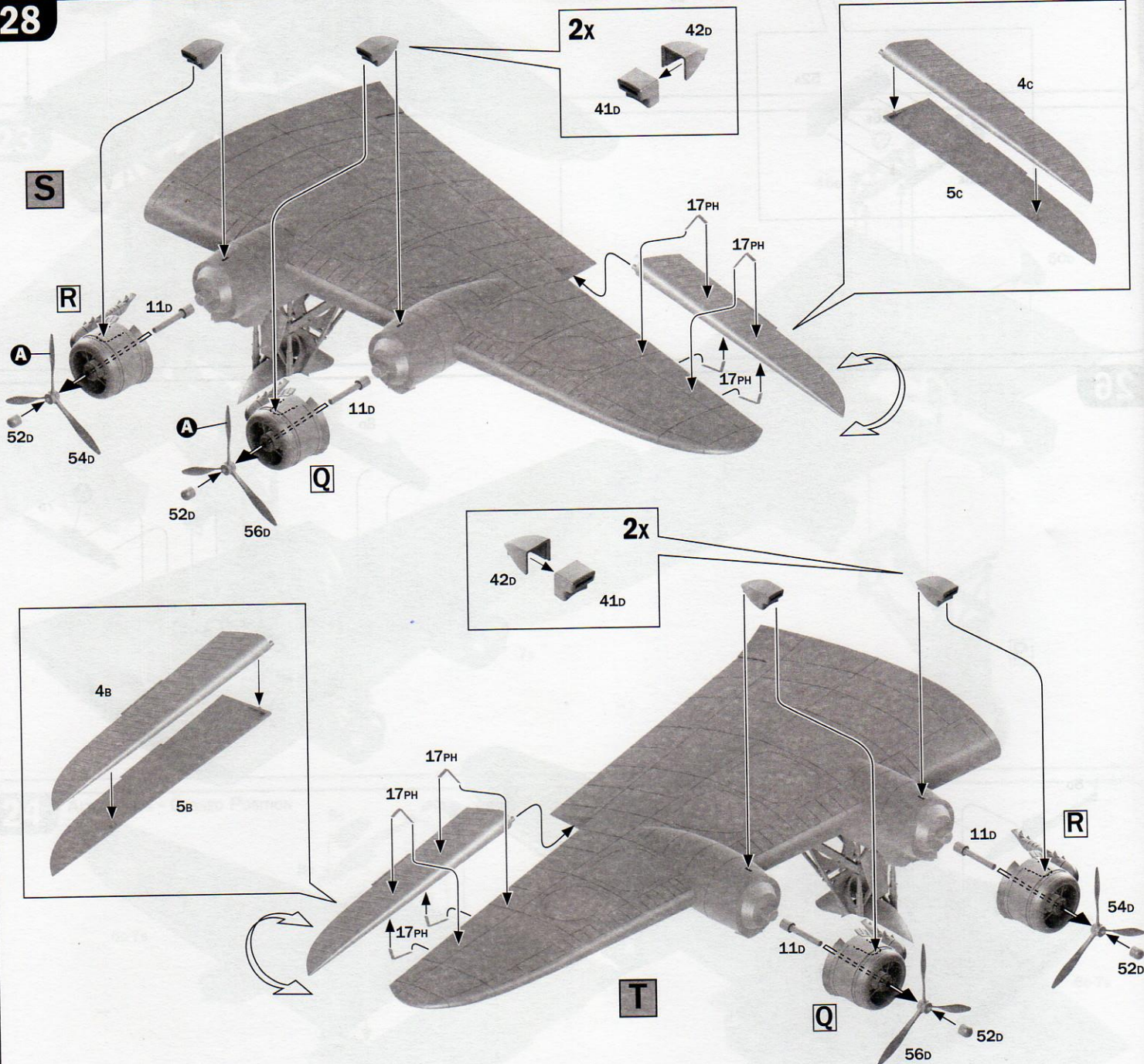
27 4x



Q 2x



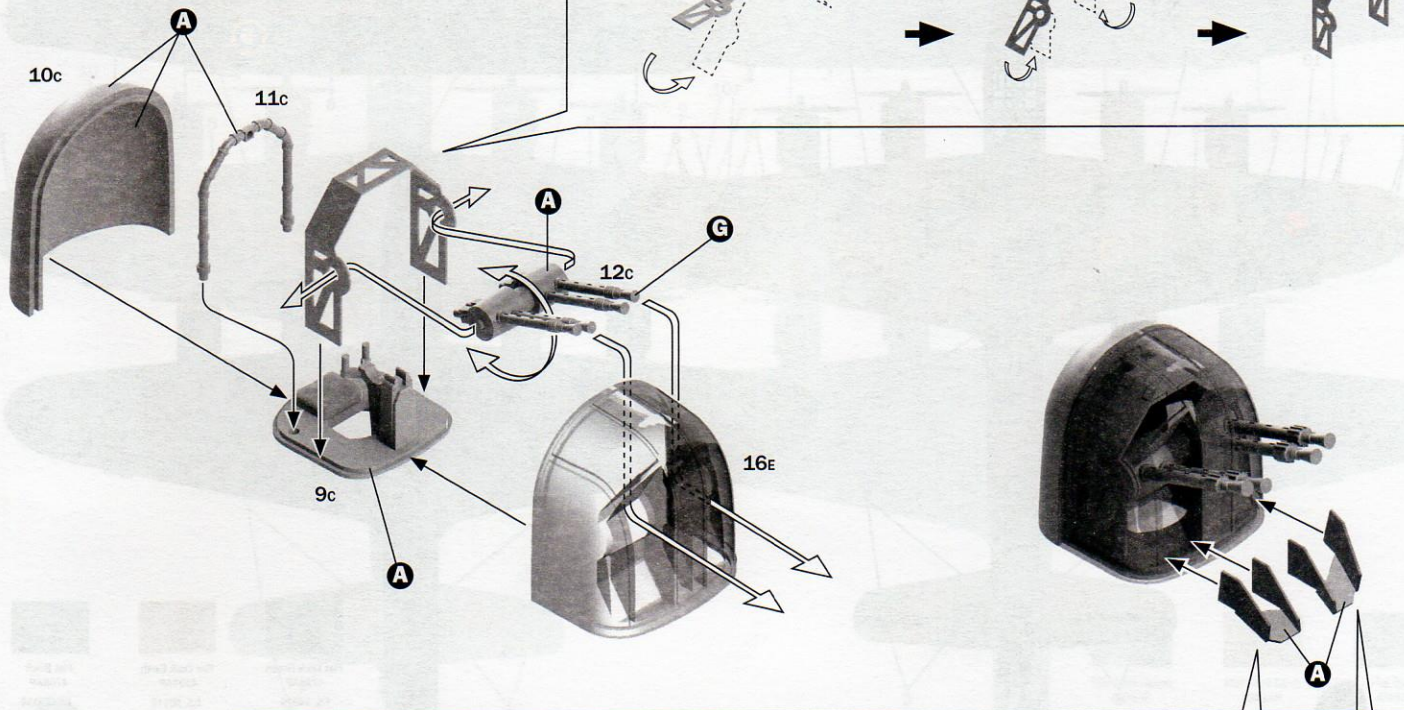
28



U

BEND

13PH



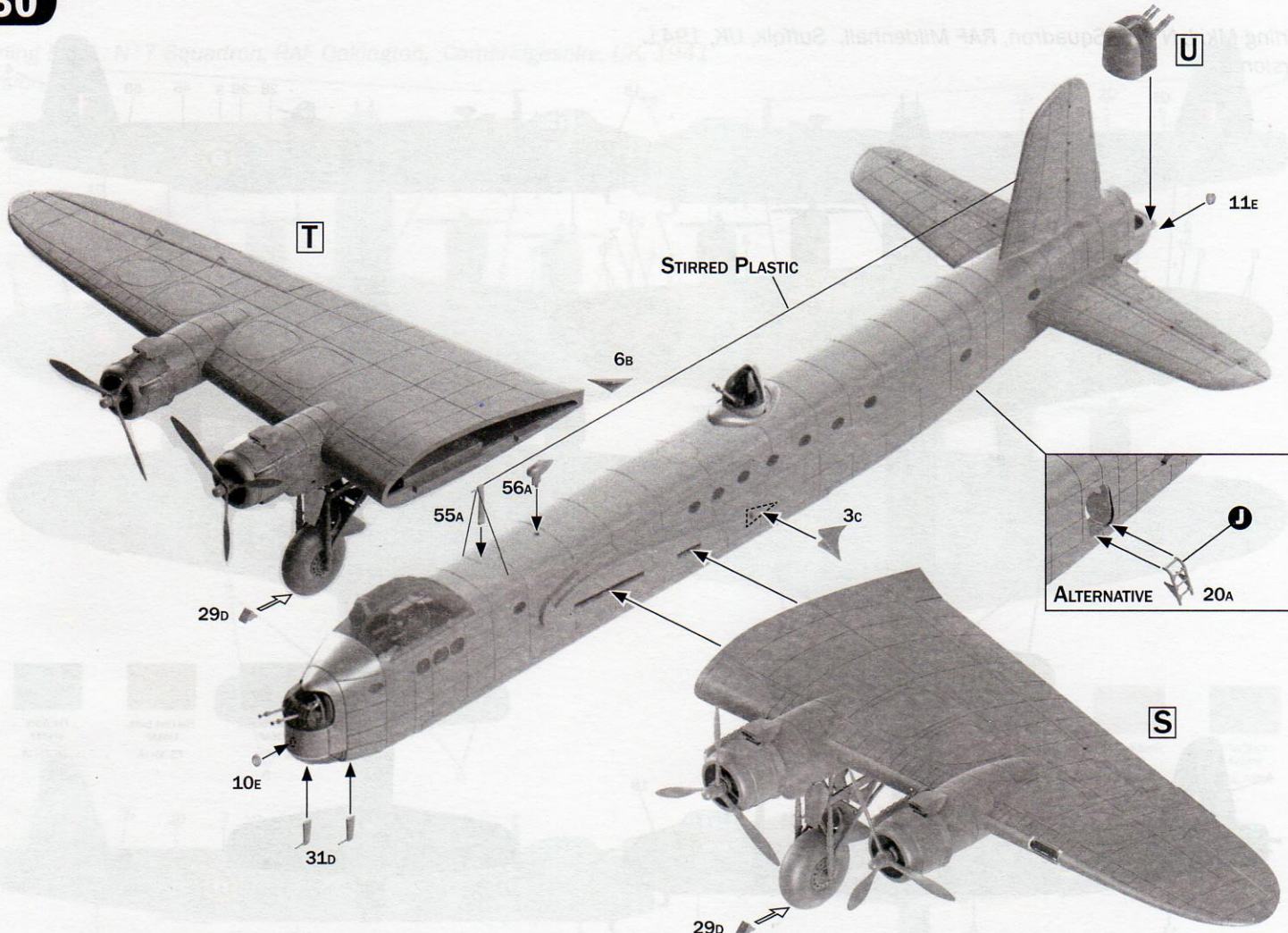
BEND

14PH

15PH

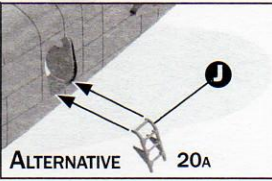


U



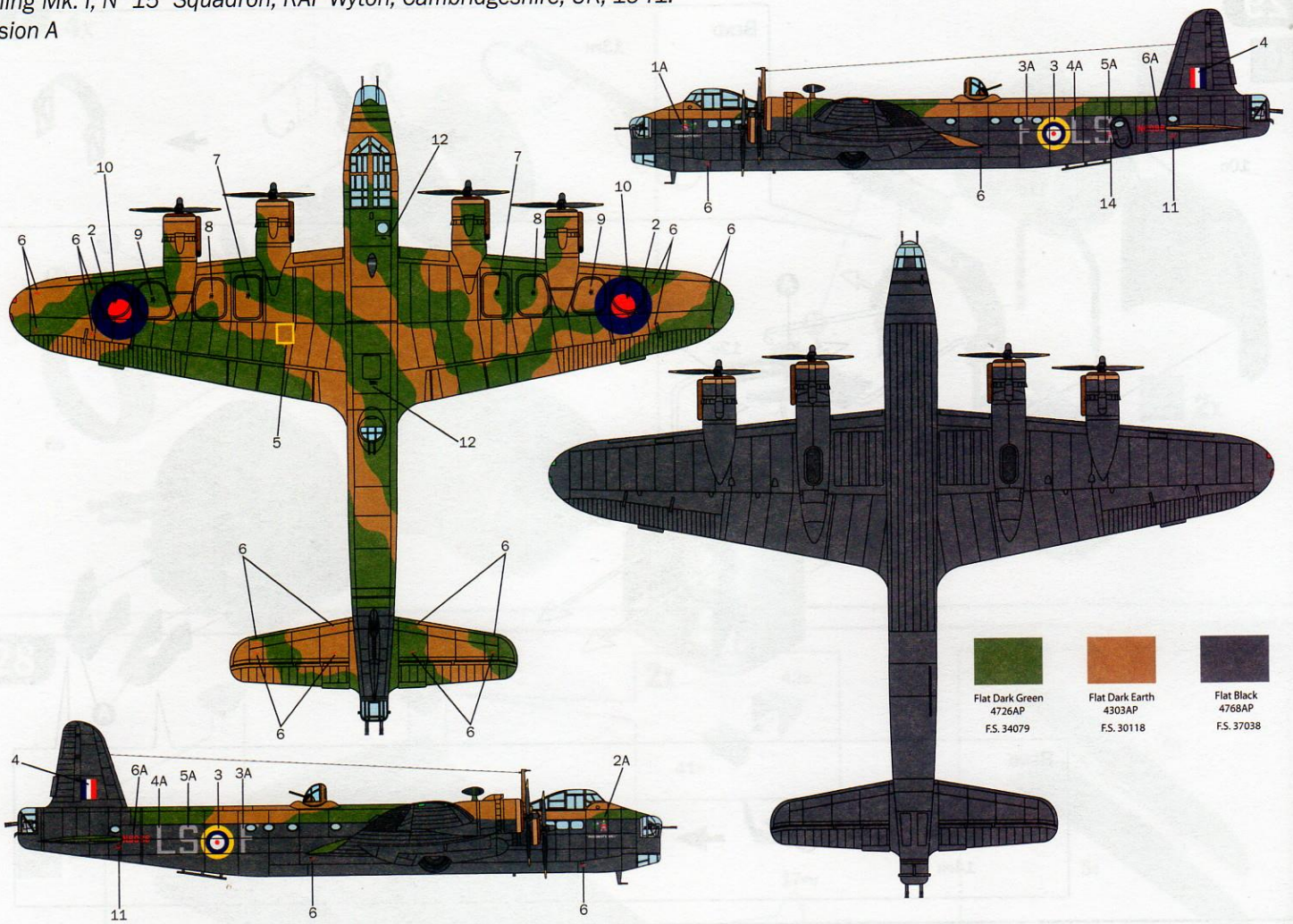
T

STIRRED PLASTIC

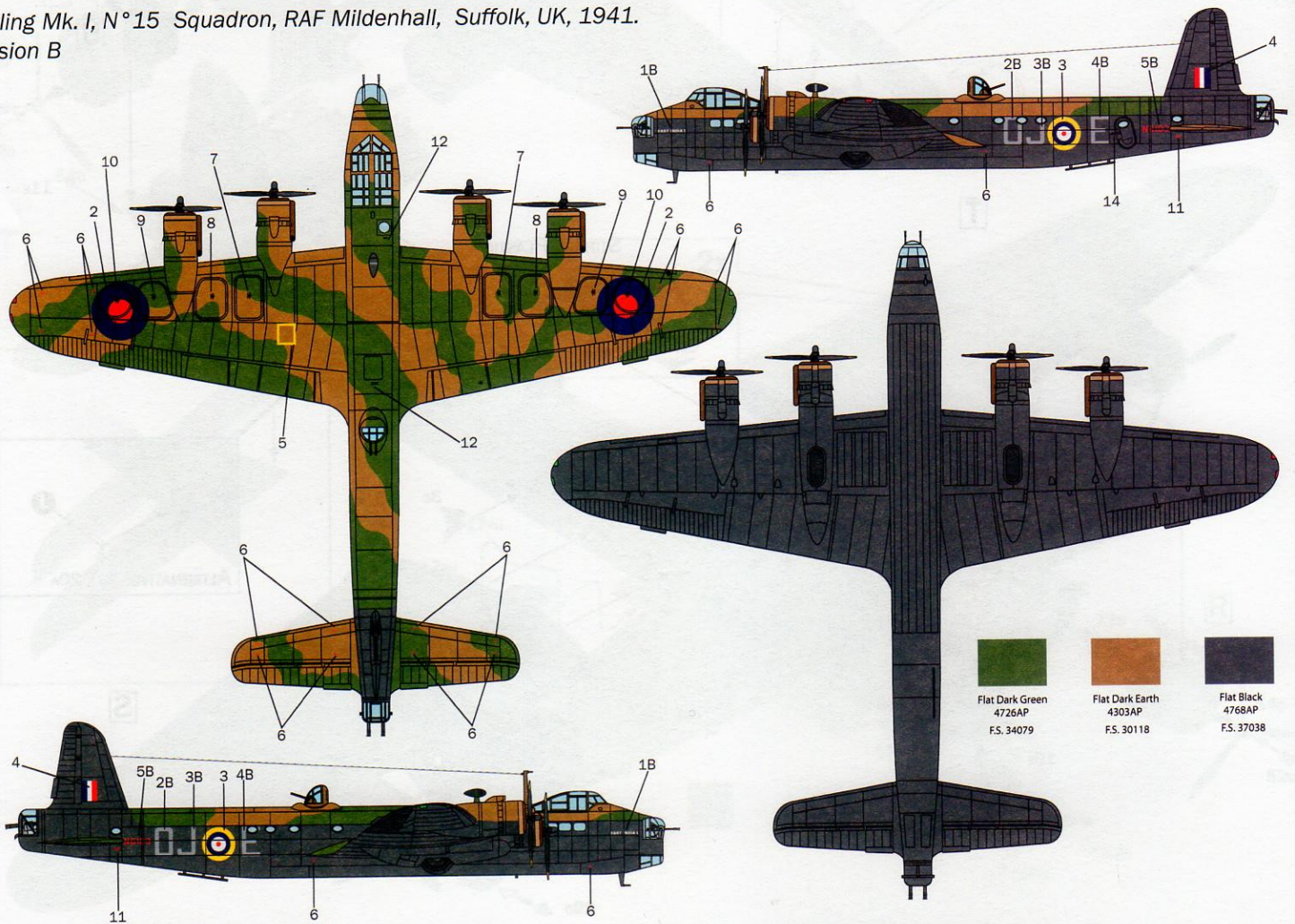


S

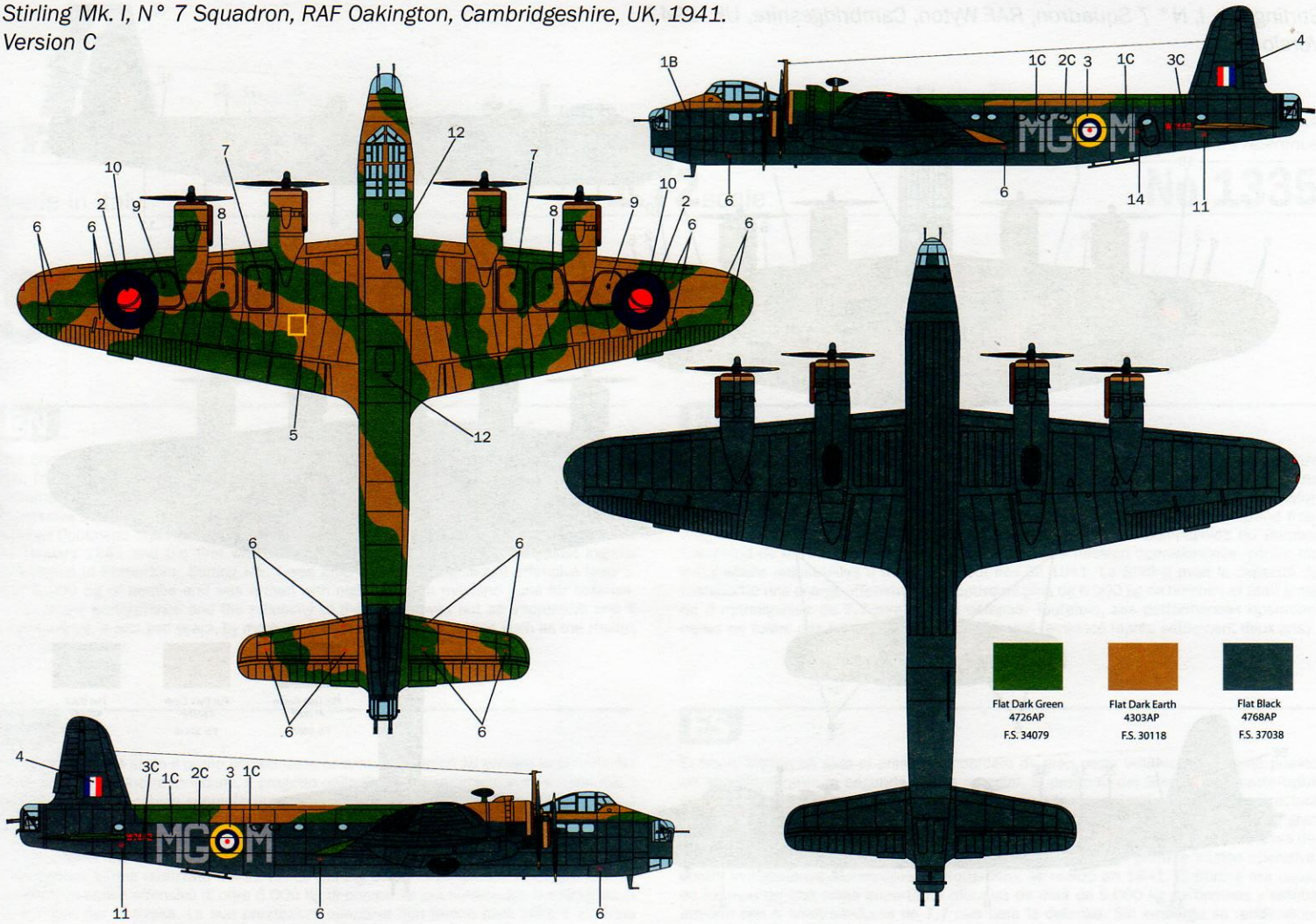
Stirling Mk. I, N° 15 Squadron, RAF Wyton, Cambridgeshire, UK, 1941.
Version A



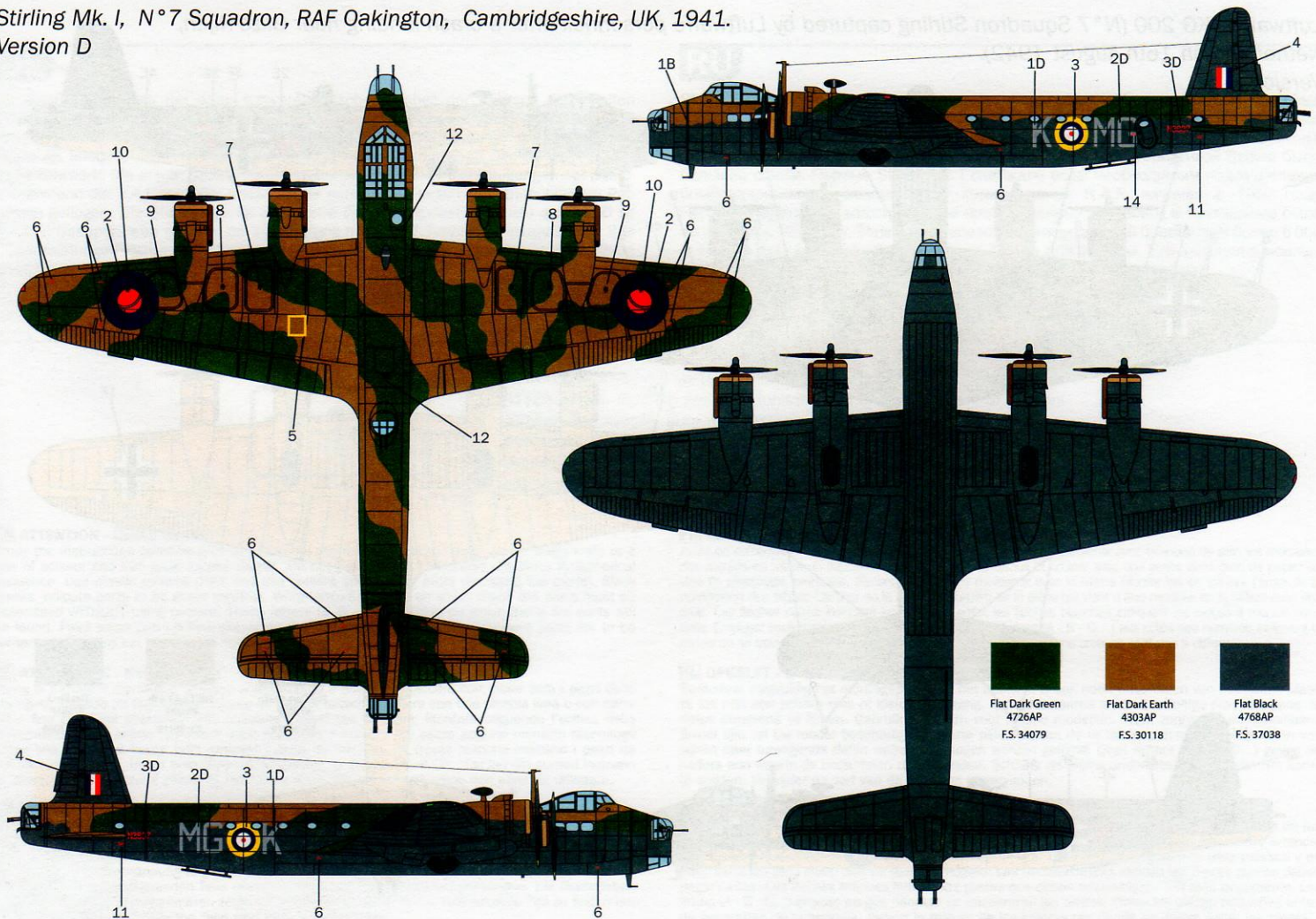
Stirling Mk. I, N° 15 Squadron, RAF Mildenhall, Suffolk, UK, 1941.
Version B



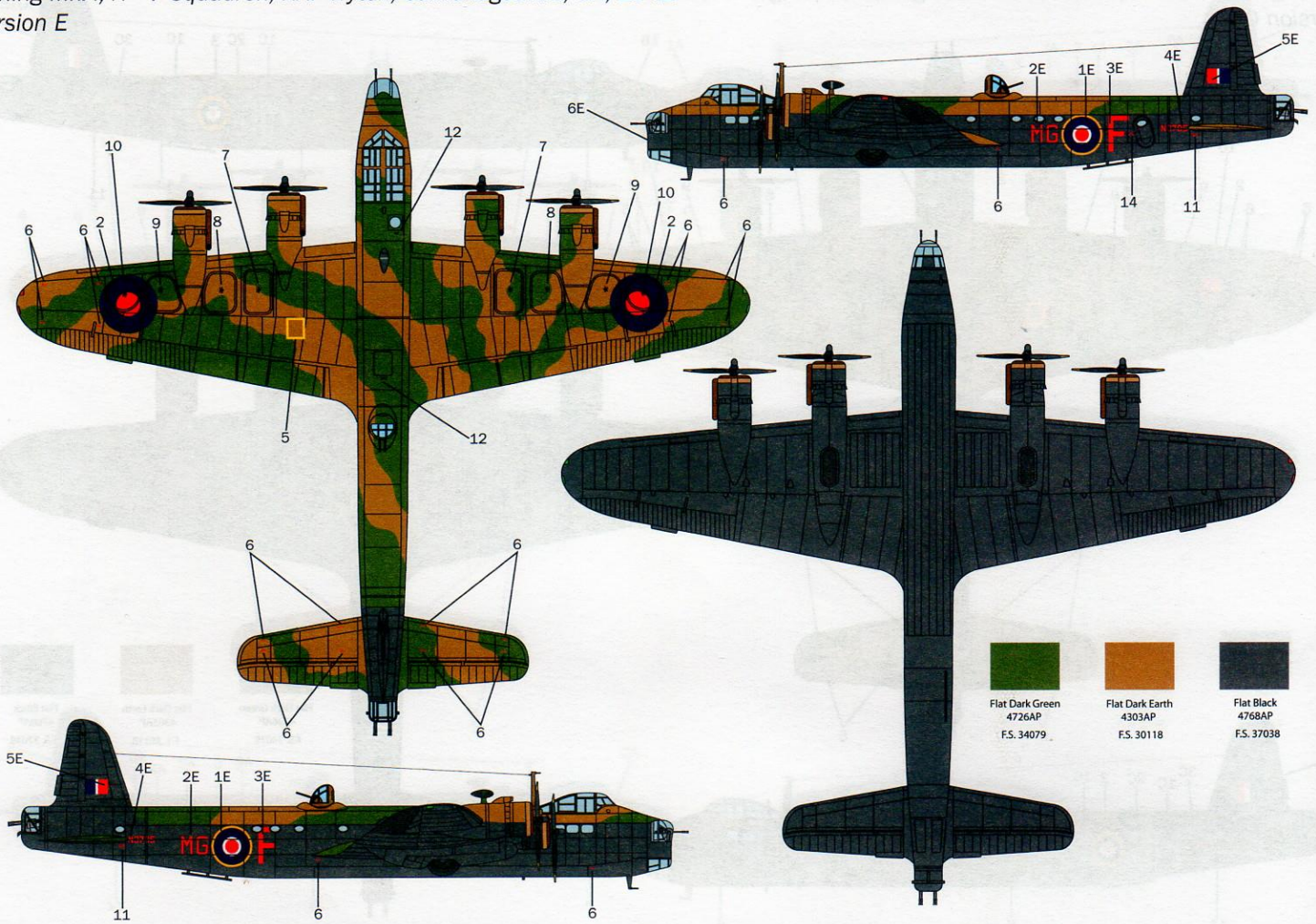
Stirling Mk. I, N° 7 Squadron, RAF Oakington, Cambridgeshire, UK, 1941.
Version C



Stirling Mk. I, N° 7 Squadron, RAF Oakington, Cambridgeshire, UK, 1941.
Version D



Stirling Mk. I, N° 7 Squadron, RAF Wyton, Cambridgeshire, UK, 1942.
Version E



Luftwaffe, KG 200 (N° 7 Squadron Stirling captured by Luftwaffe personnell after a crash landing near Gilze-Rijen, Netherland on 16th August 1942).
Version F

