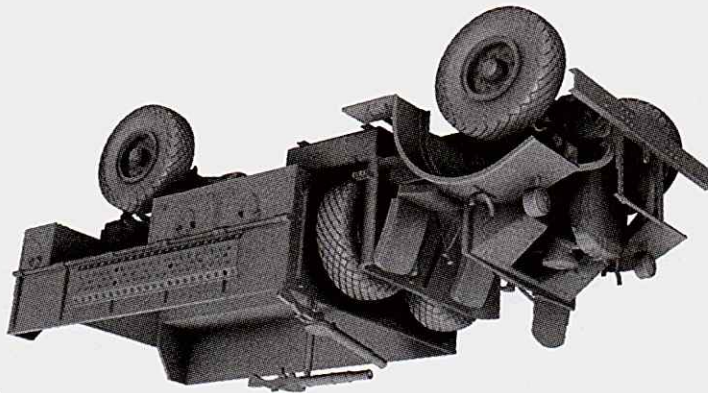


35310/35311  
 產品編號：35310

scale 1/35  
 1:35 比例



## 1/35 LRDG F30 Patrol Truck with Offset Rear Bed

Go through this assembly guide and understand it before you start kit assembly

Use usual plastic kit's cements and tools (not included in the kit)

Follow painting guide supplied, use only hobby paints

Work carefully with photo etched parts if included, use C/A glues to assemble them

請您在組裝此產品前仔細閱讀組裝指南；

請使用通用塑膠模型黏合劑和工具(本產品不附帶)；

本產品所提的噴塗指南只適用本於模型；

如果本產品含有蝕刻套件,請小心仔細處理, 請使用C/A膠水組裝；

組み立て前にこの組み立てガイドをご覧ください。

プラスチックキット専用接着剤と専用工具をご使用ください。(ともにキットには含まれていません)

塗装ガイドに従ってください。専用塗料をご使用ください。

エッチングパーツの組み立ては細かいパーツのため注意が必要です。また接着には瞬間接着剤を使用ください。



cut/remove

切下 / 移除

切断/切り離し



drill hole

鑽孔

フルル穴



no glue

不適用膠水

接着しない



bend

折彎

折り曲げ



cyanoacrylate glue

氰基丙烯酸酯膠水

瞬間接着剤



string or wire

細繩或者金屬絲線

糸または金属線



rope

繩

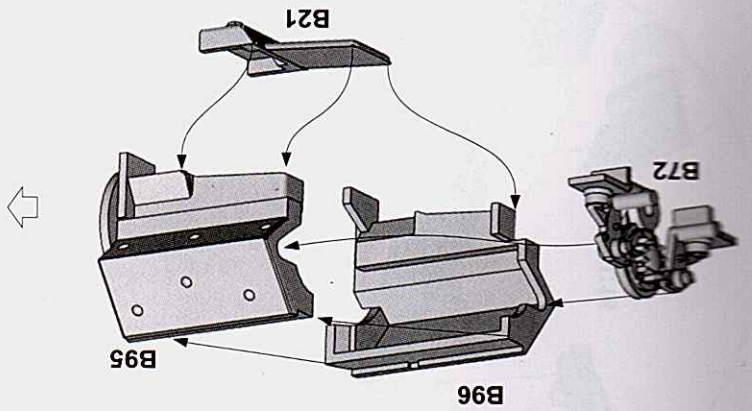
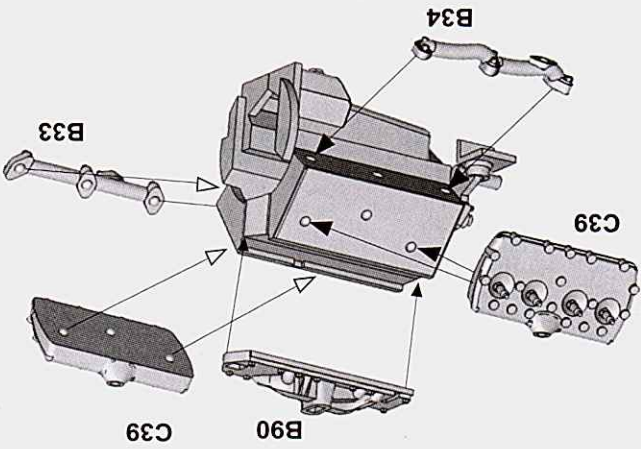
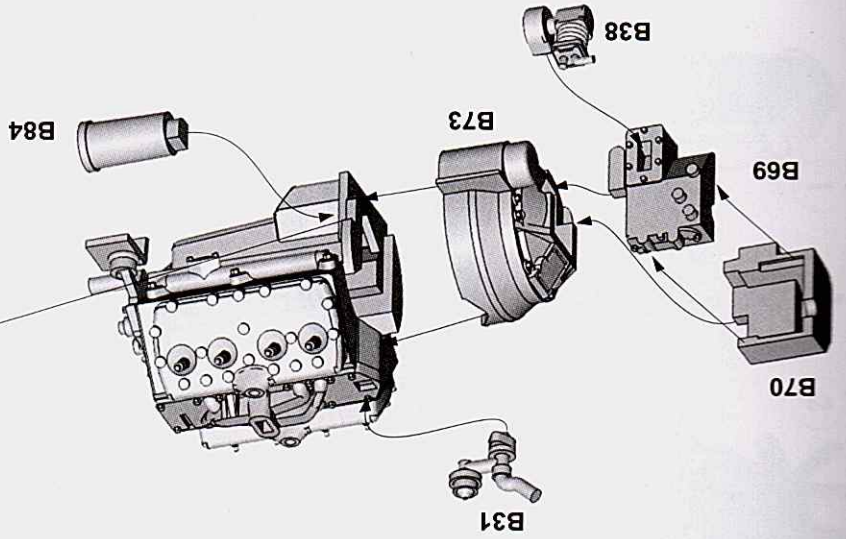
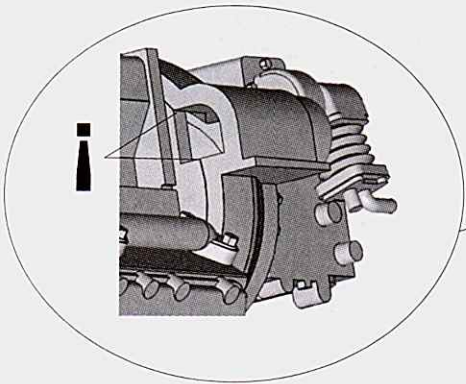
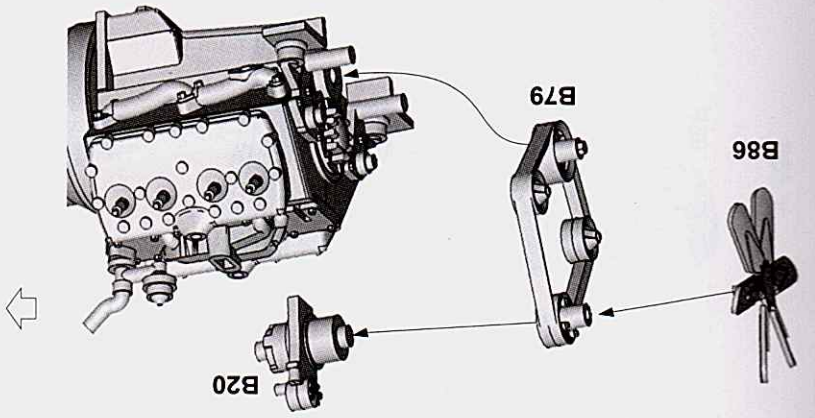
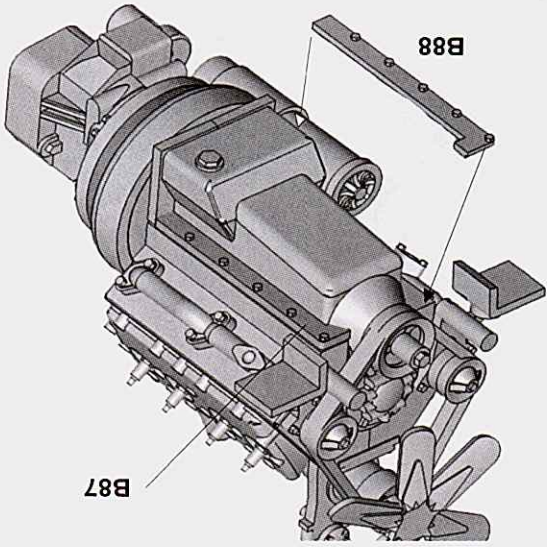
ひも

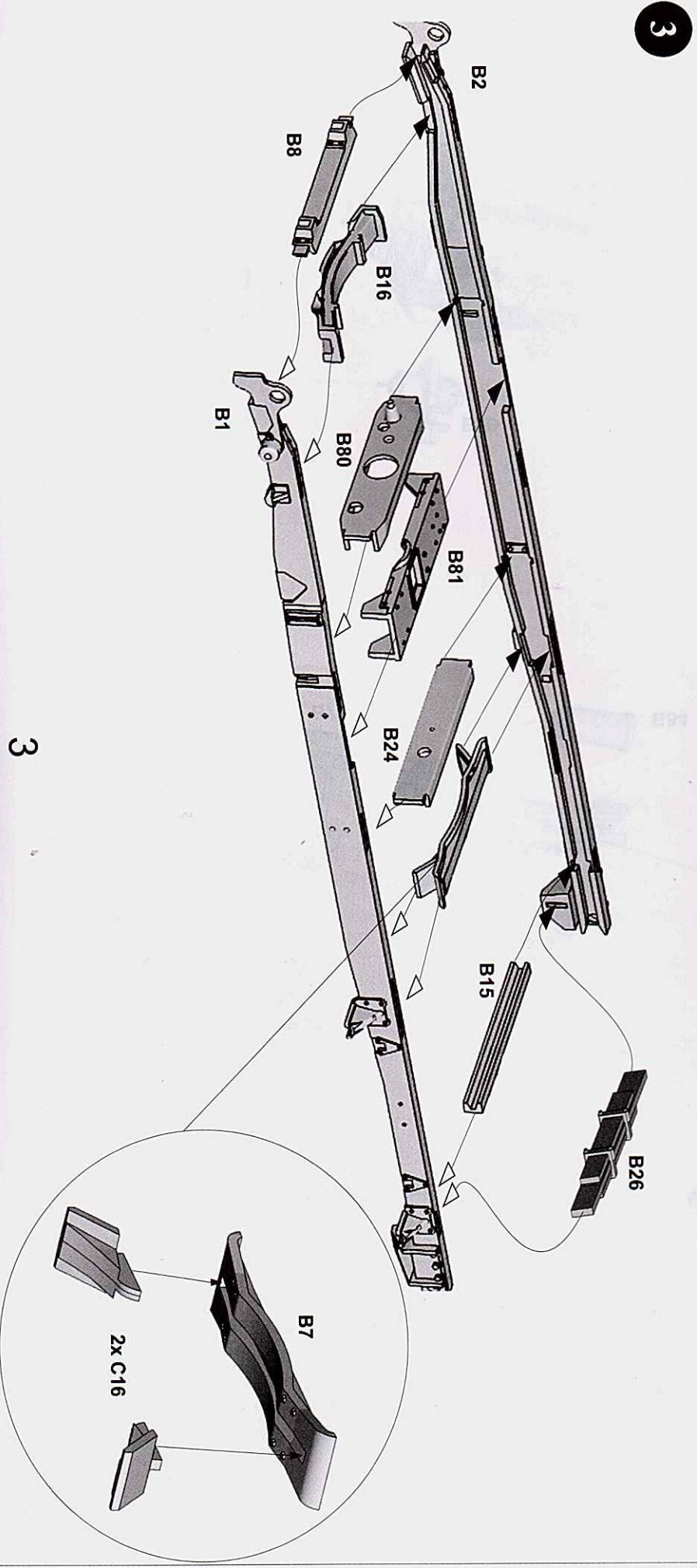
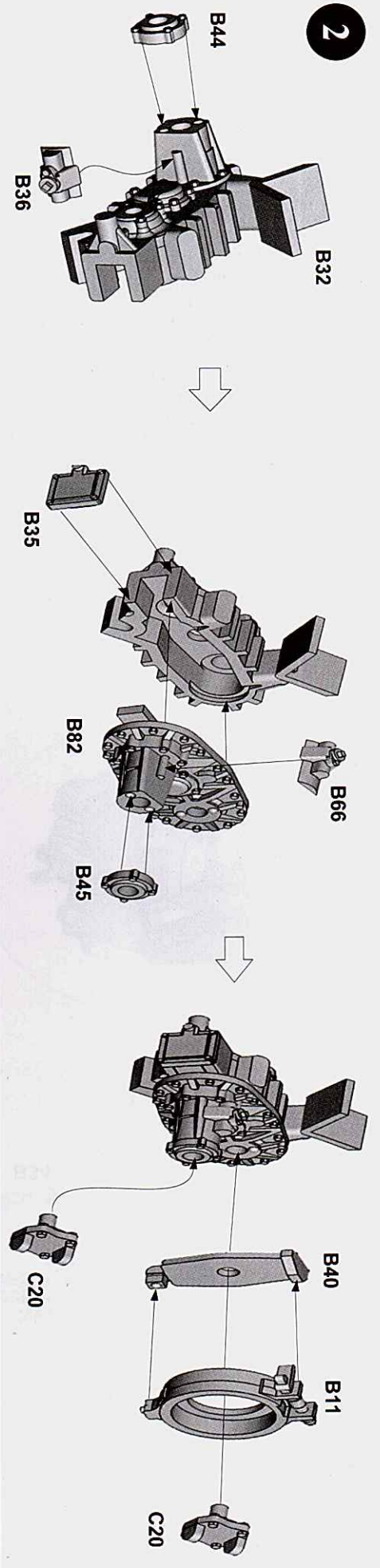


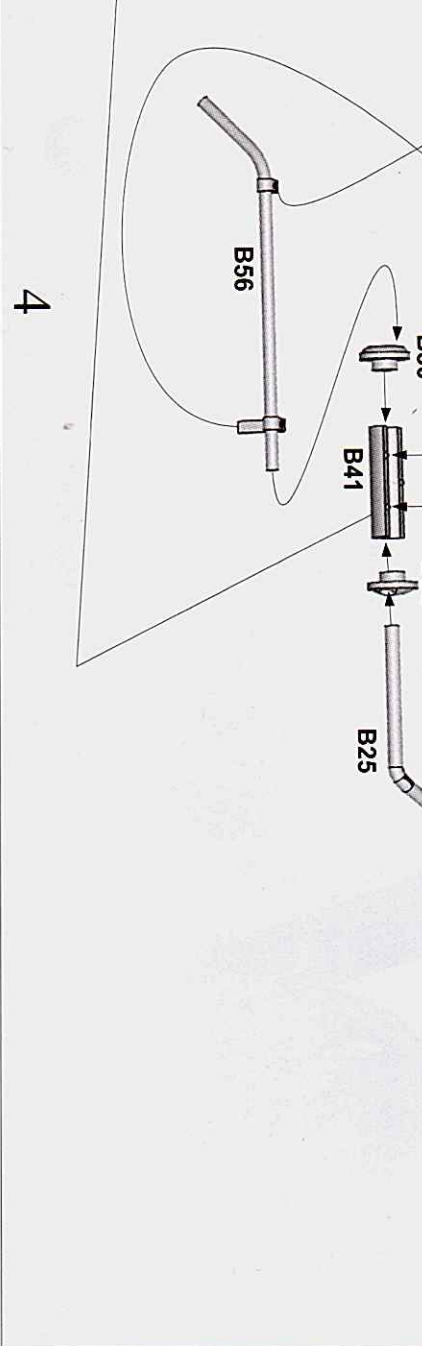
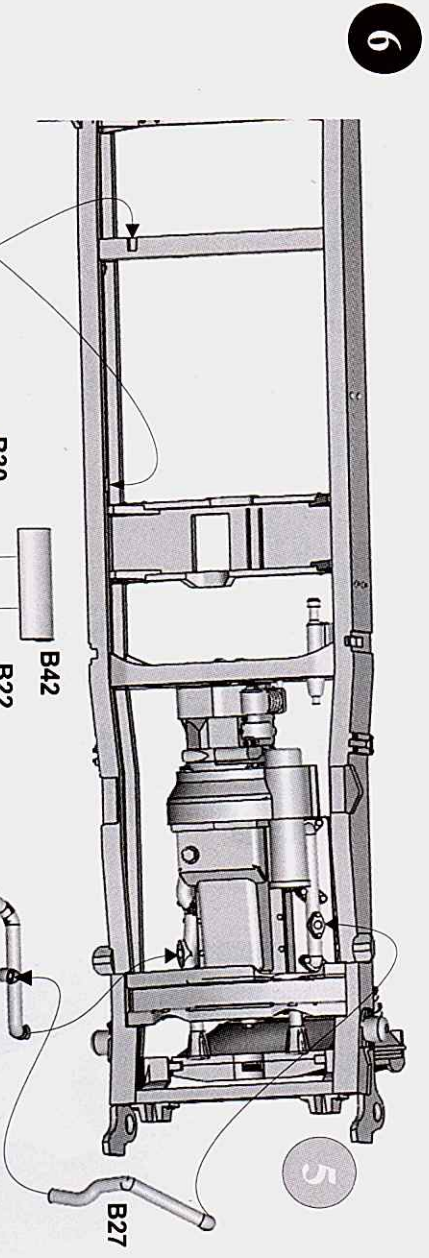
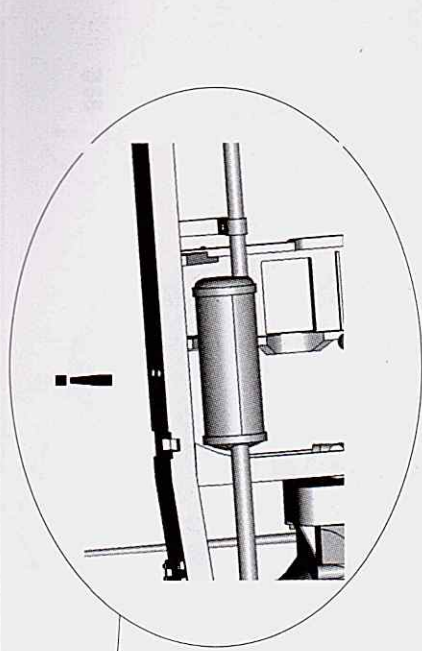
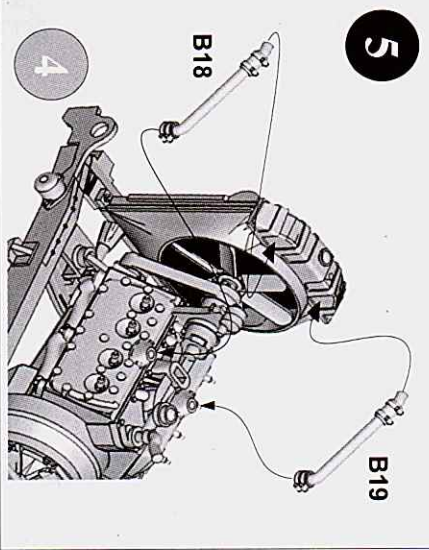
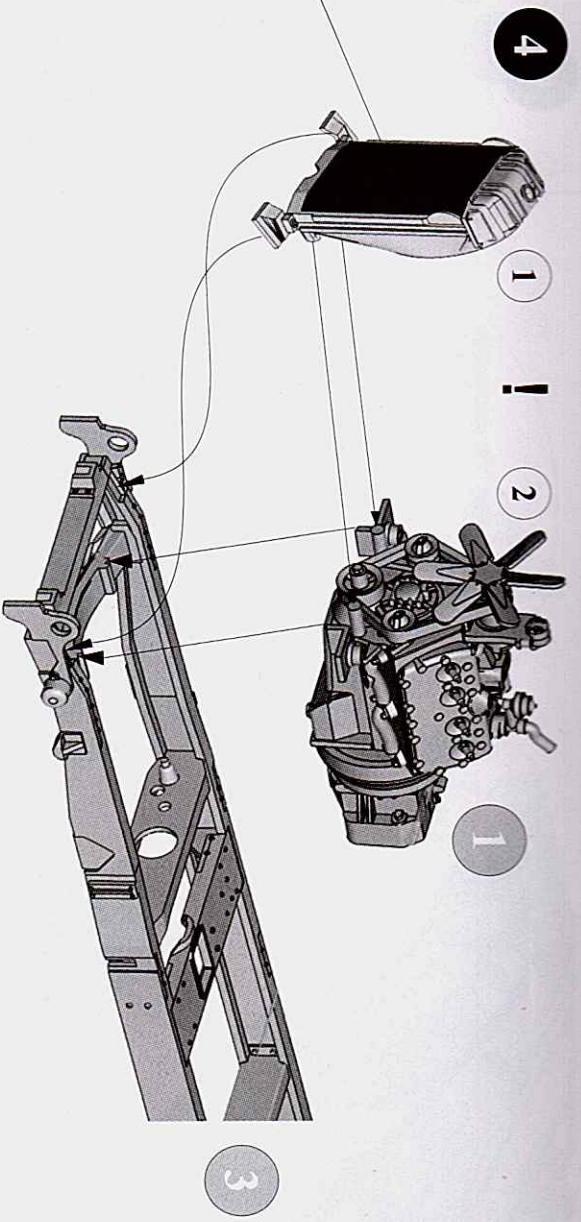
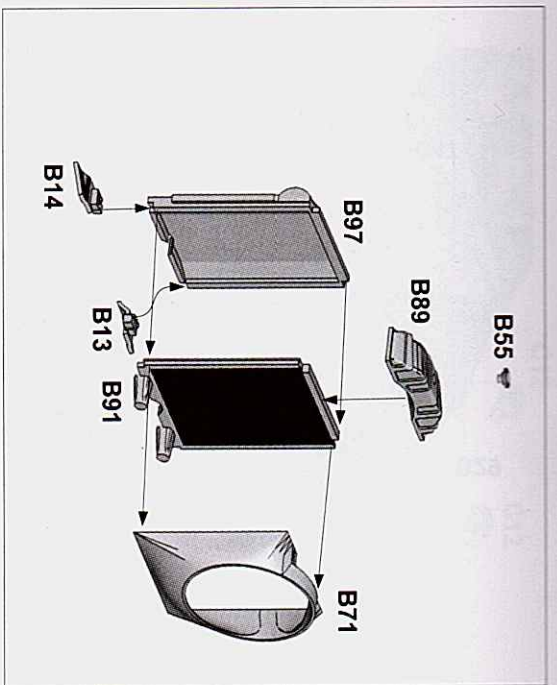
PE - press rivets (lines)  
 from the etched off side

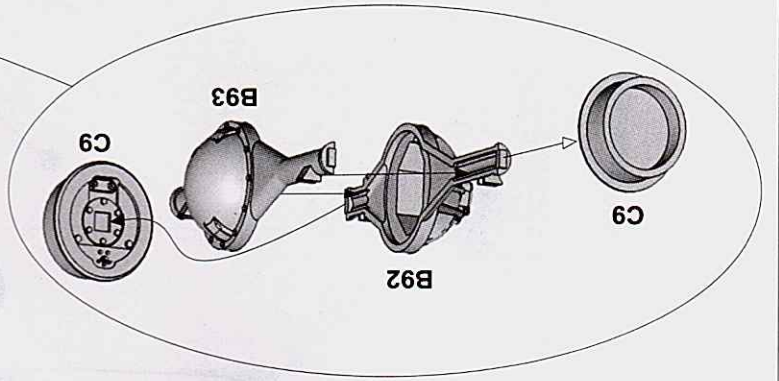
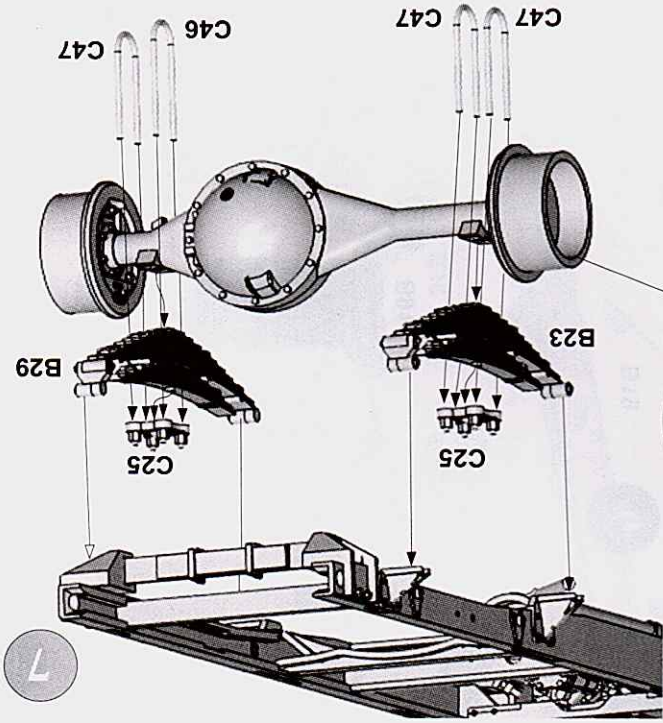
蝕刻片 -  
 請从蚀刻掉的一侧压铆钉 (线)

ライソリット部分未工ツツリ面から圧を与える

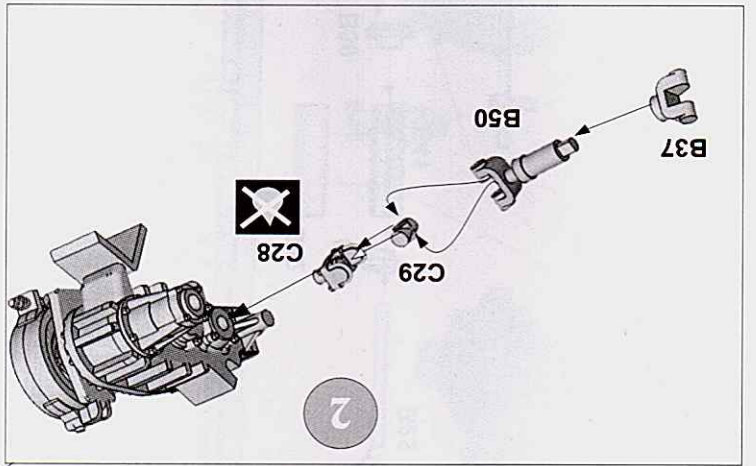
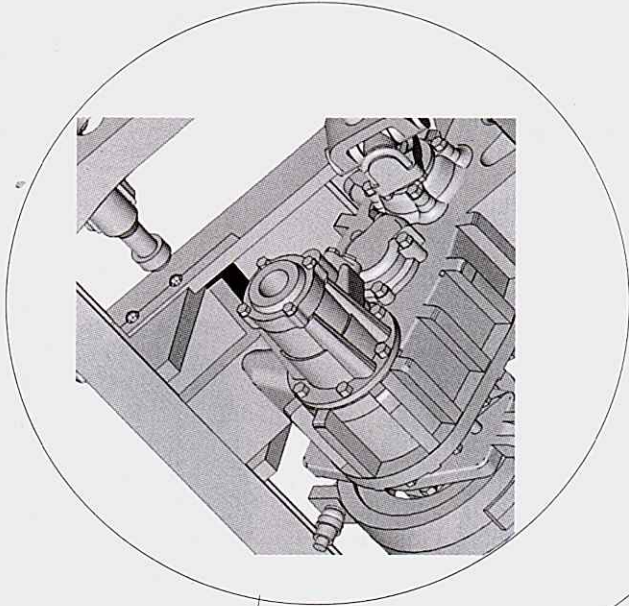




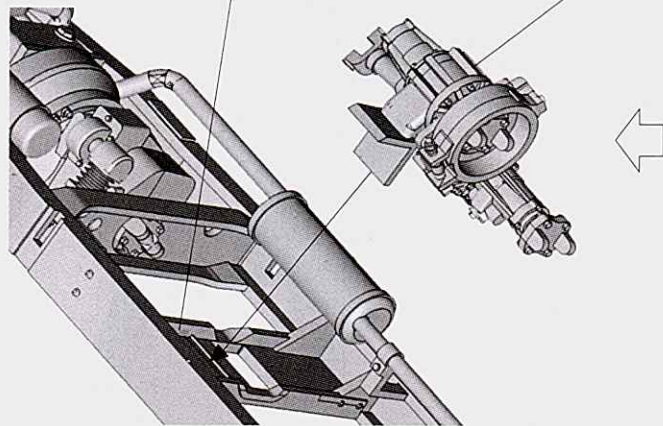




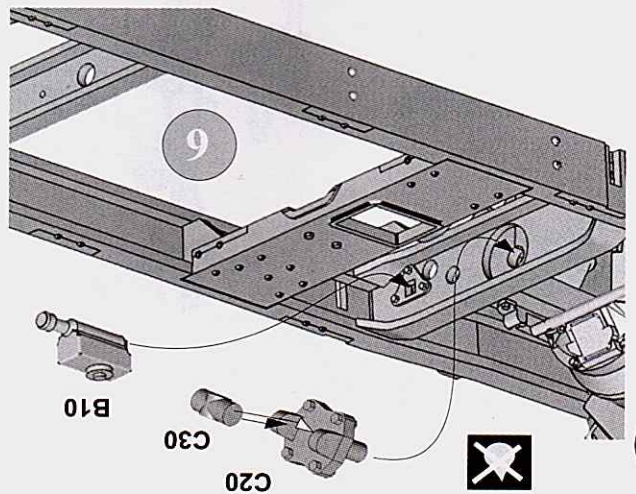
8



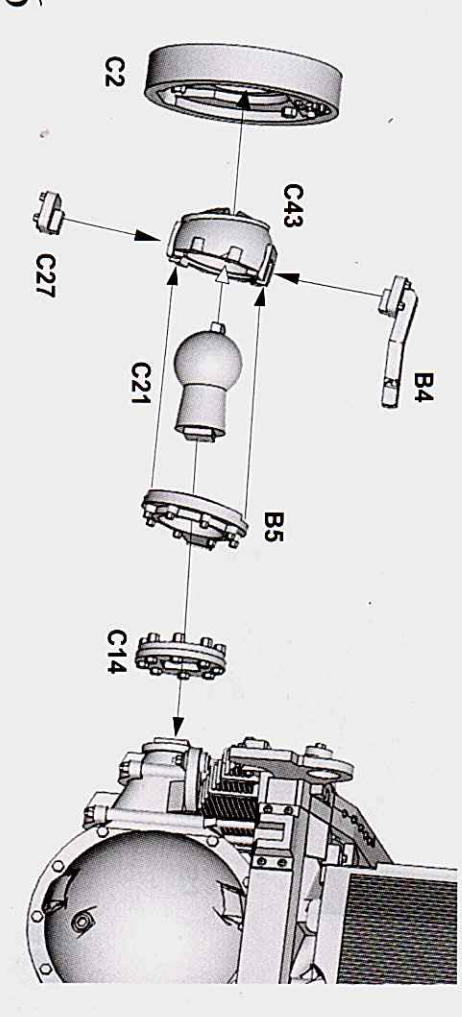
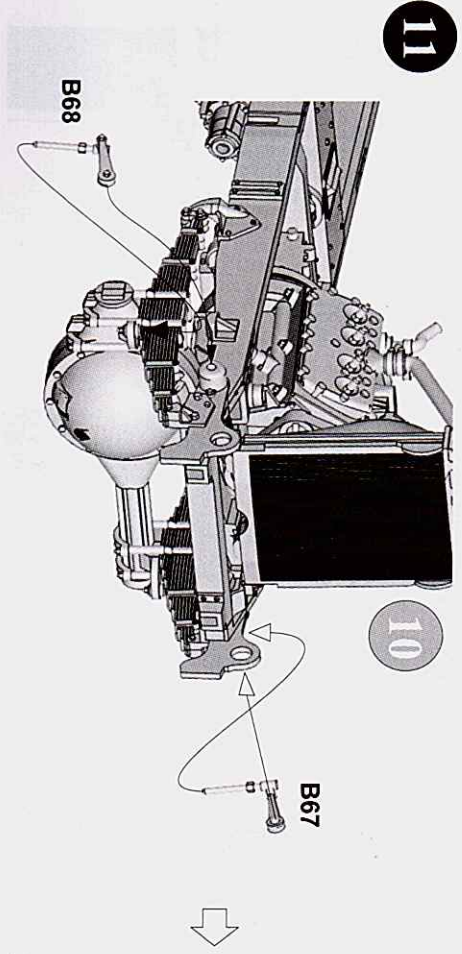
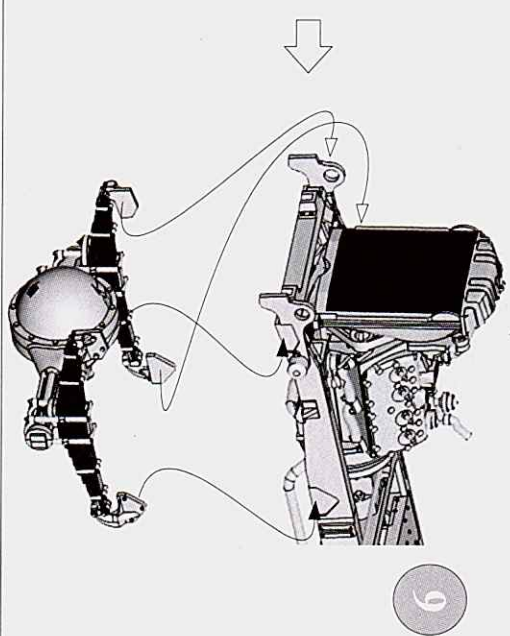
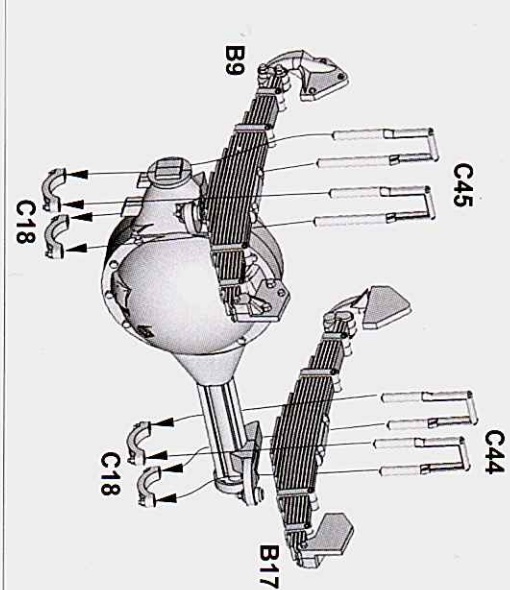
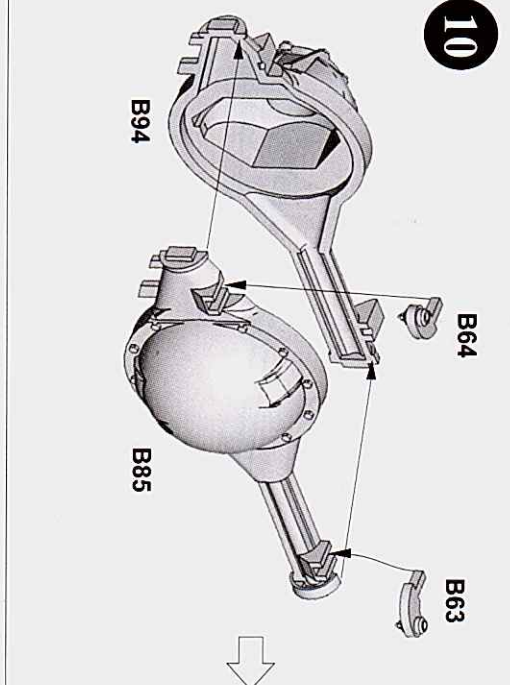
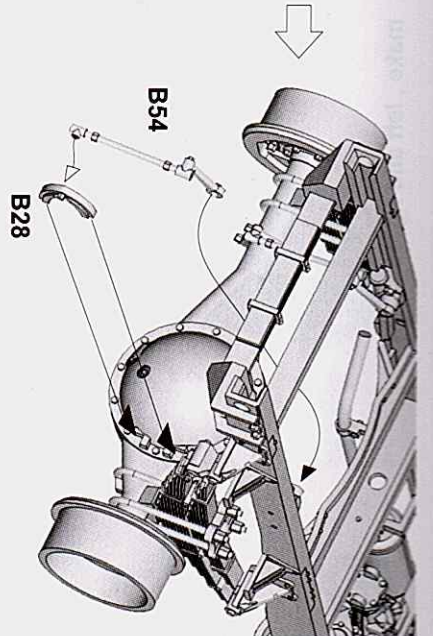
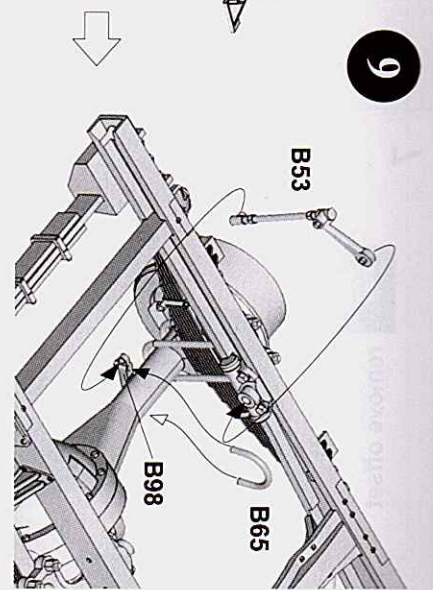
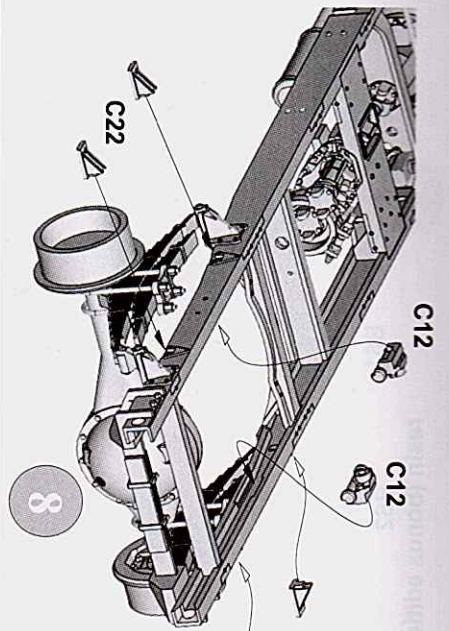
2

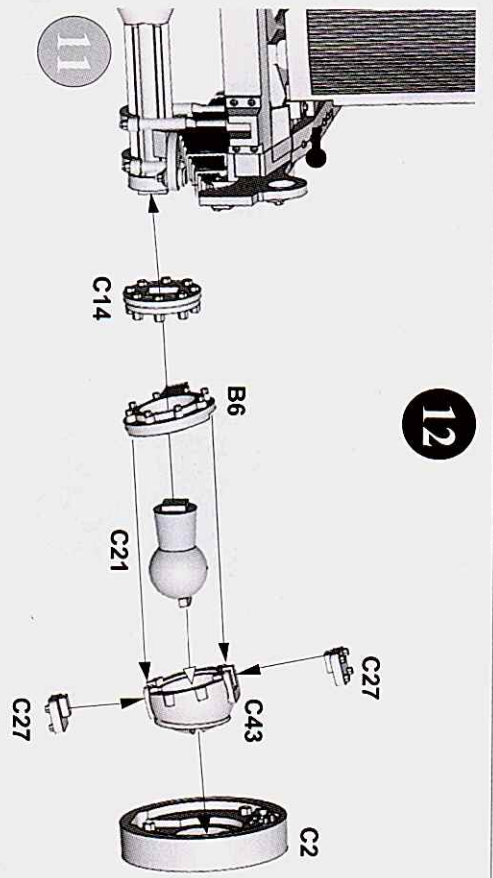


7

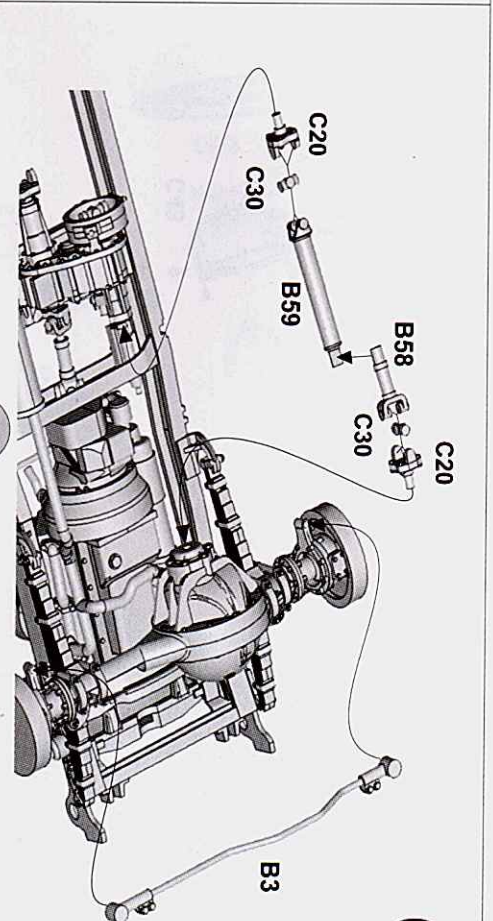


6

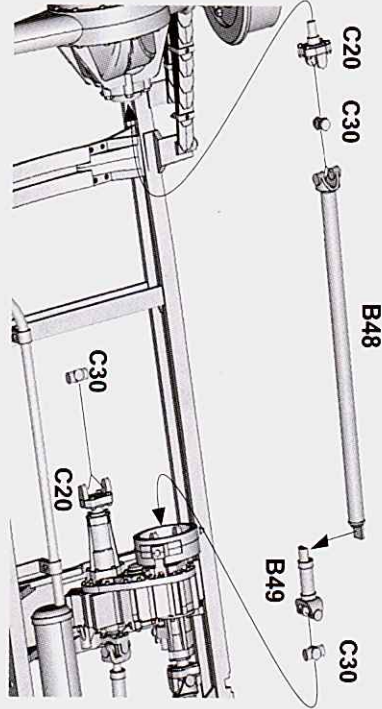




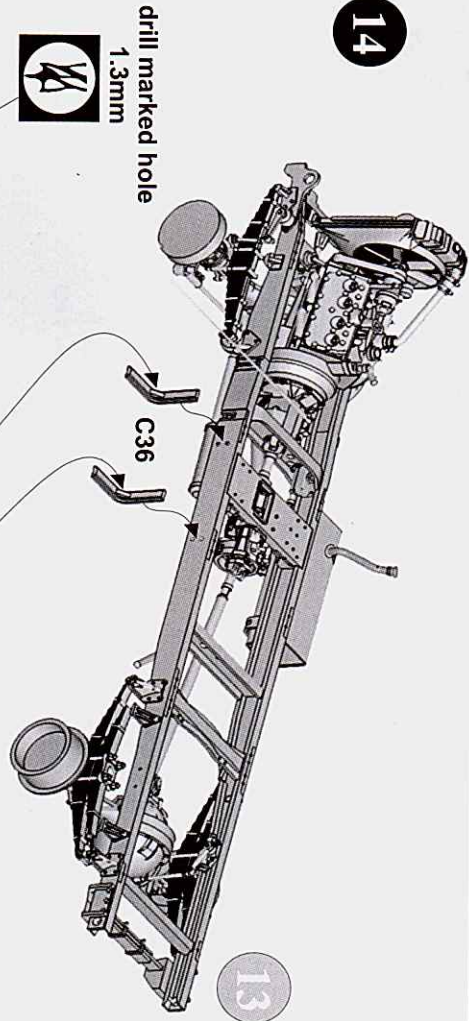
12



13



12



14

13



drill marked hole  
1.3mm

C32  
curved

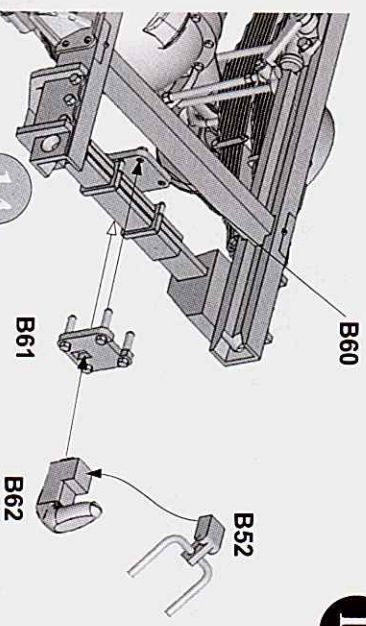
PE28

C5 (C4)



remove offset

7



14

15

resin (bonus edition)

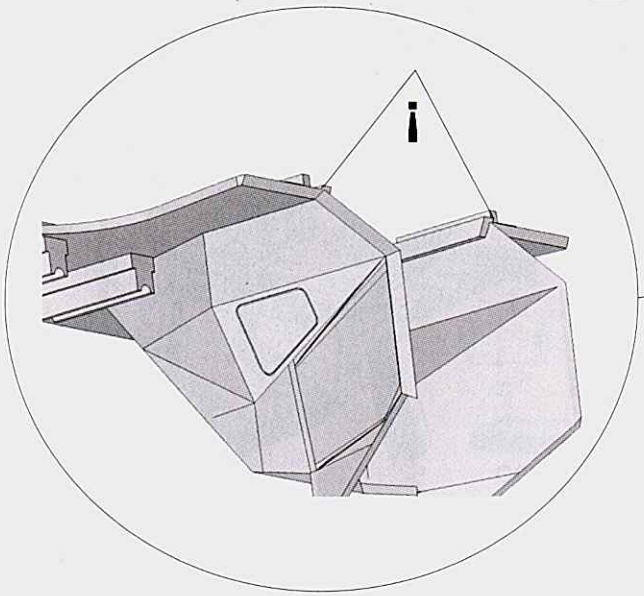
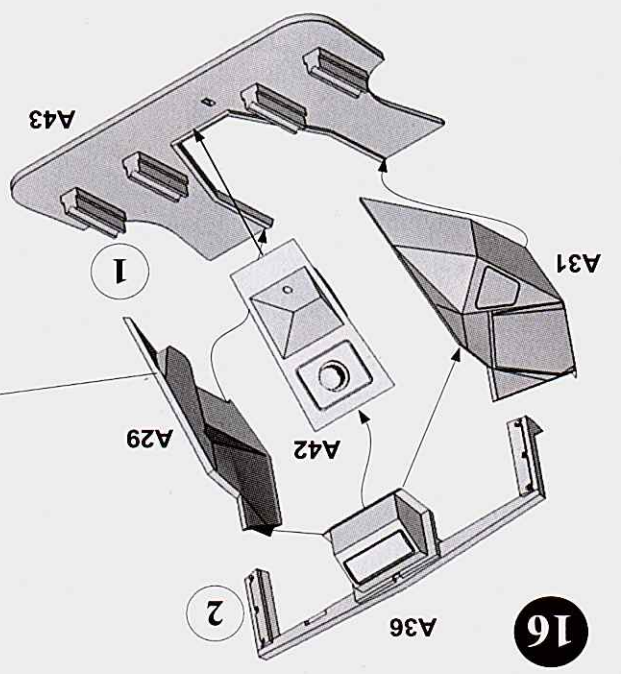
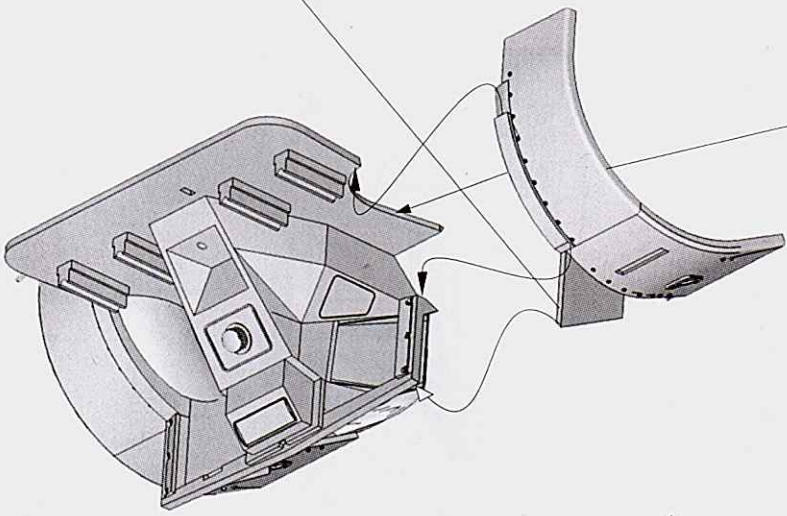
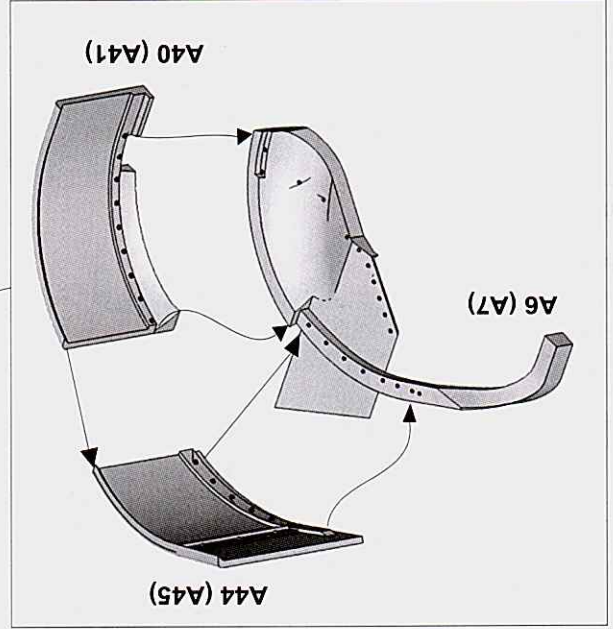
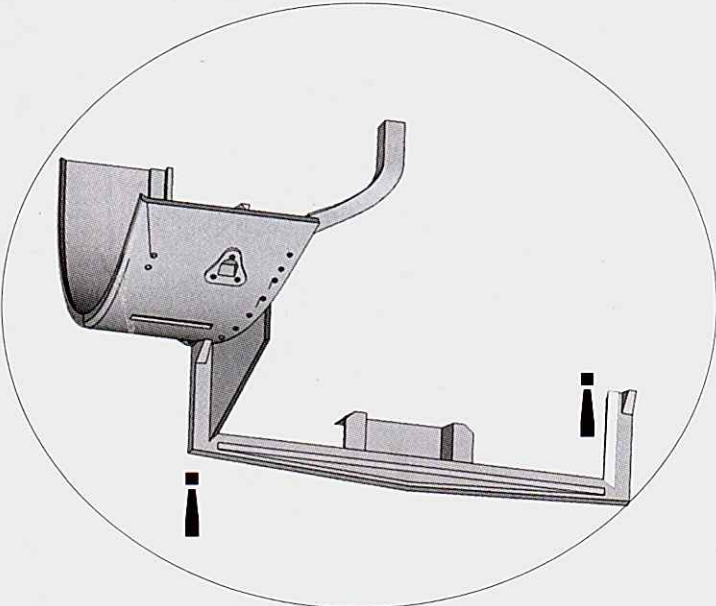
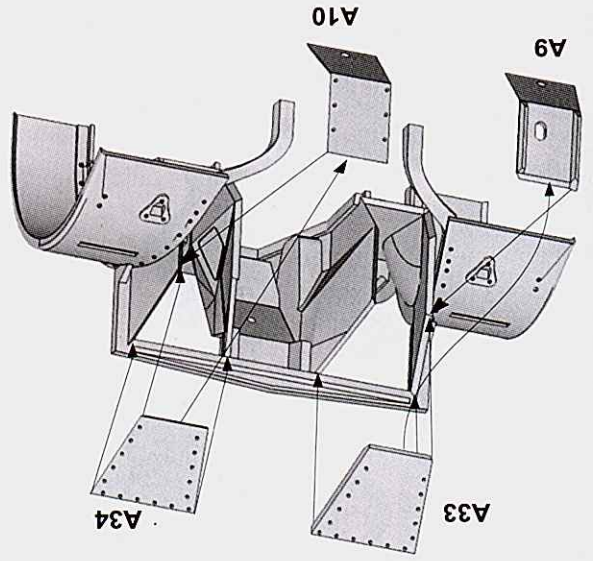


B61

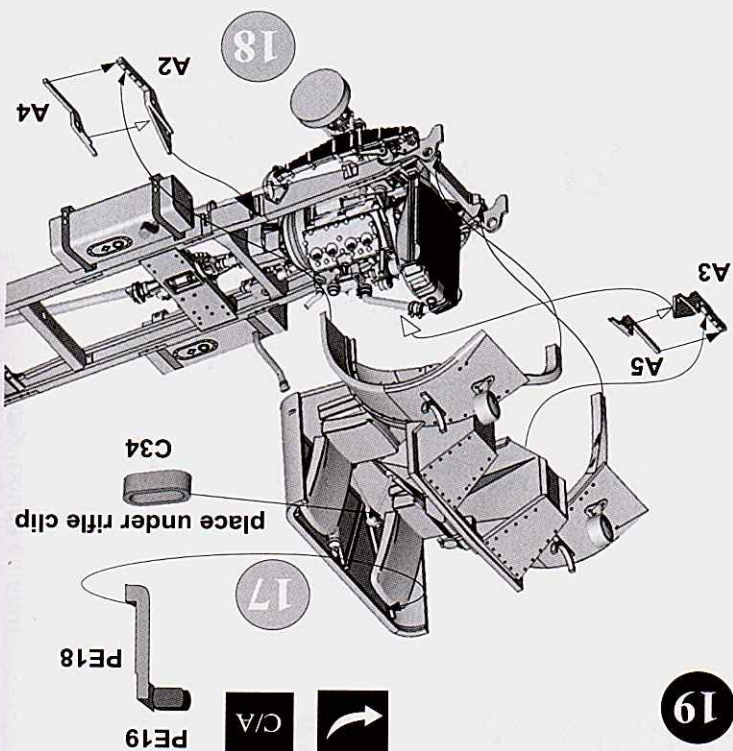
B60

B52

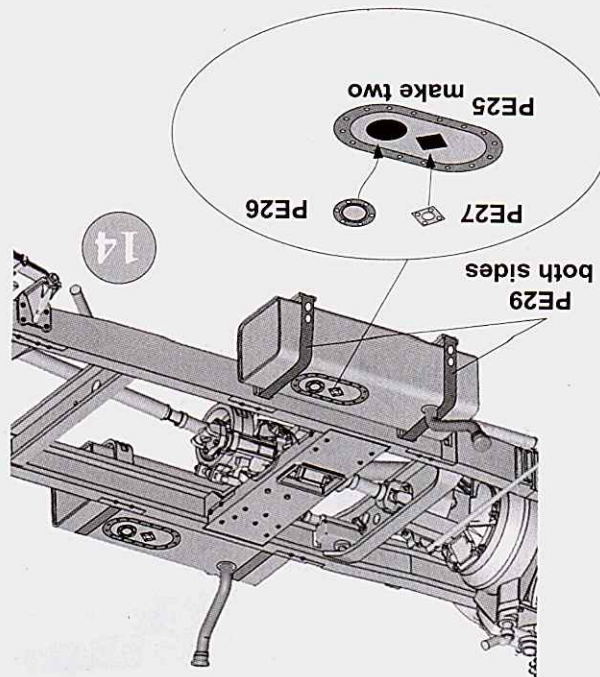
B62







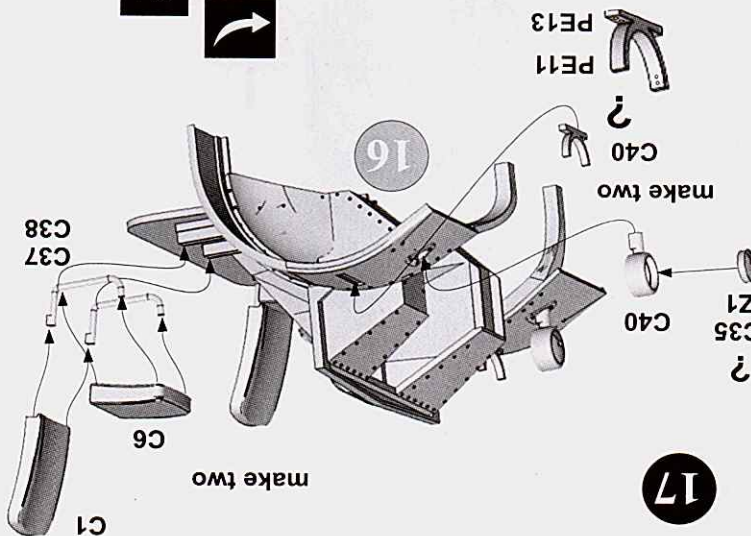
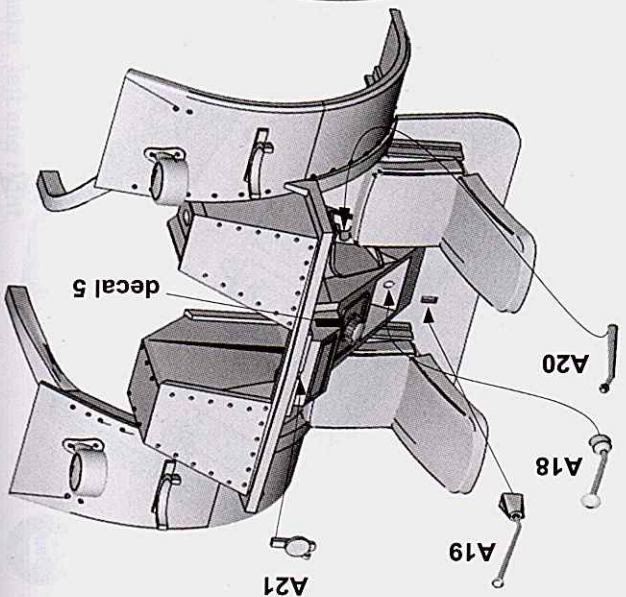
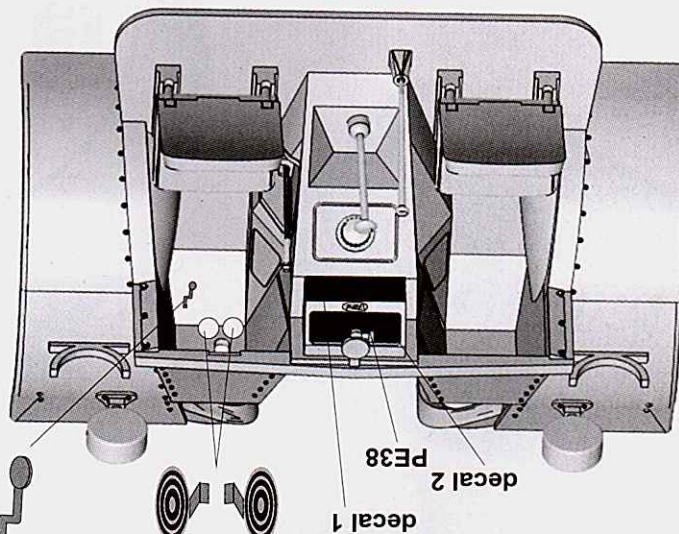
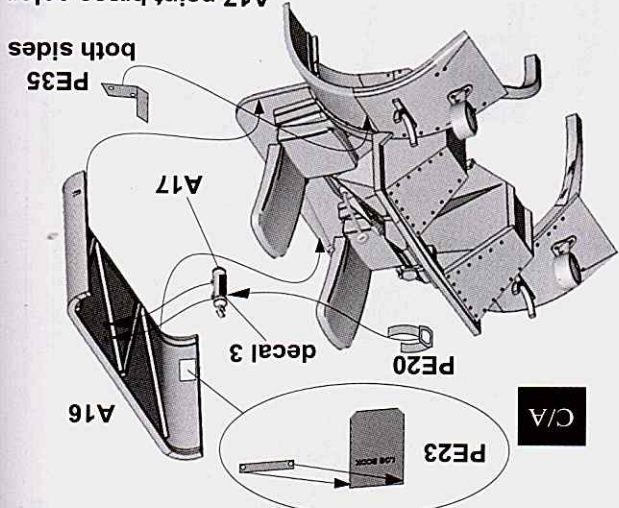
19



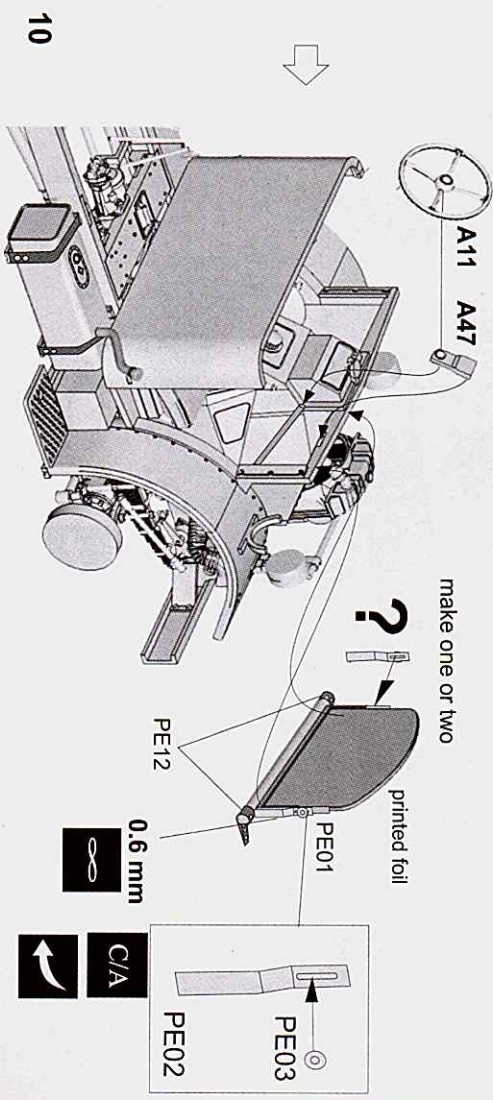
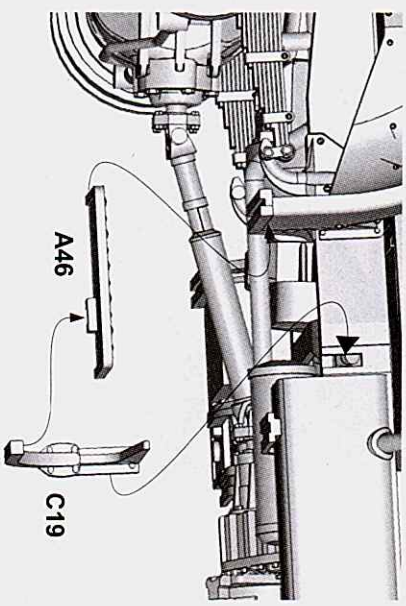
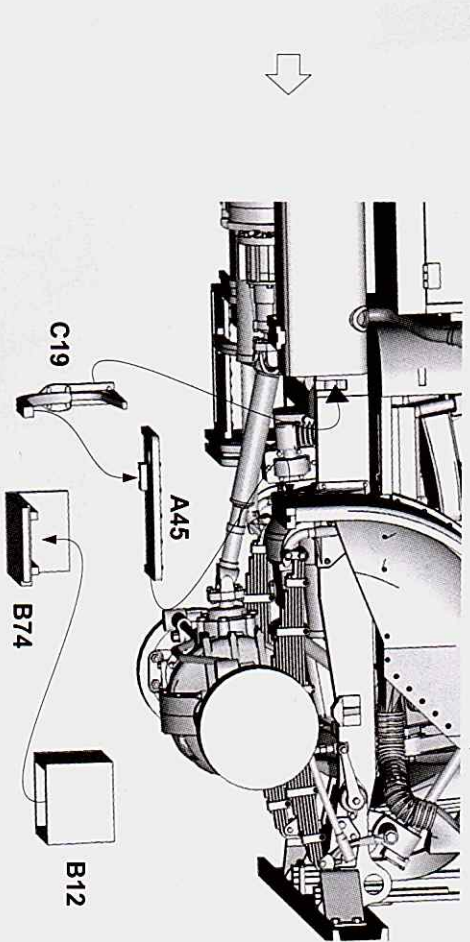
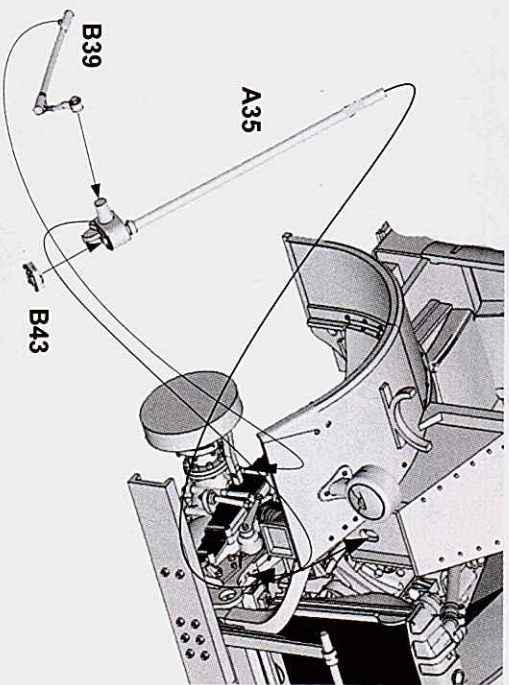
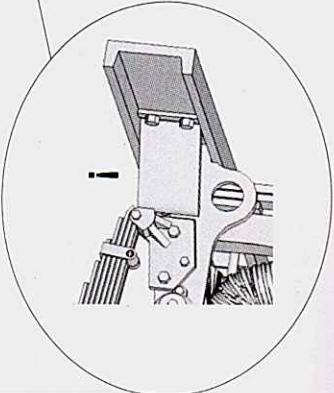
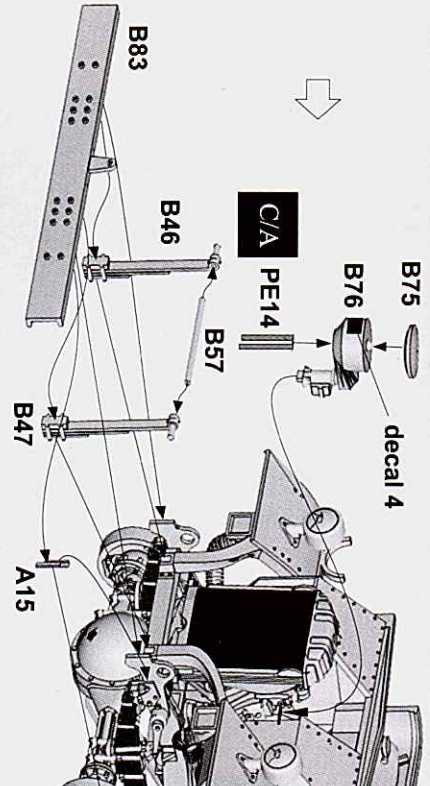
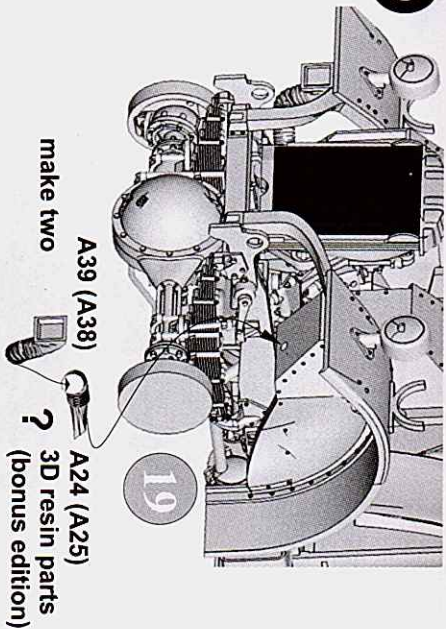
18

A17 paint brass color

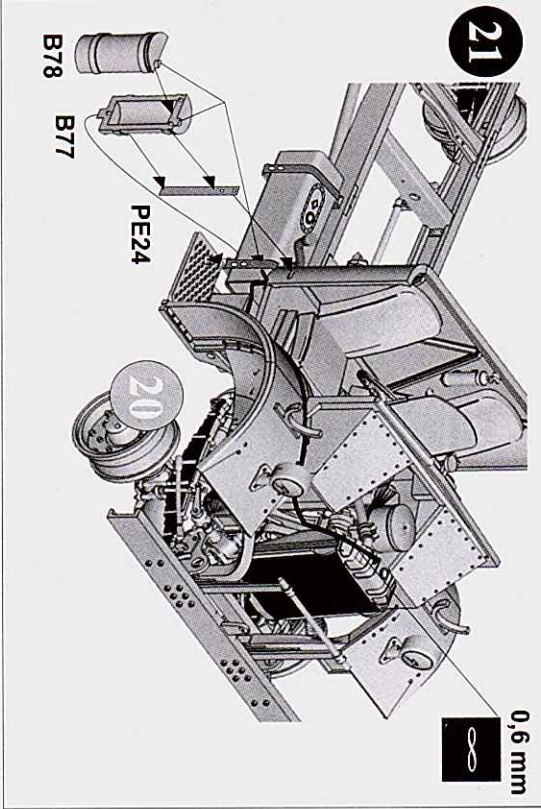
both sides



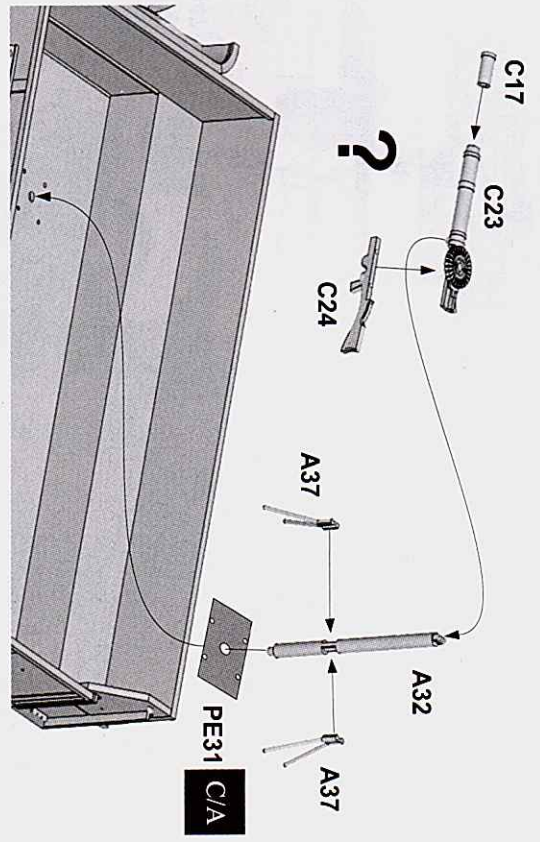
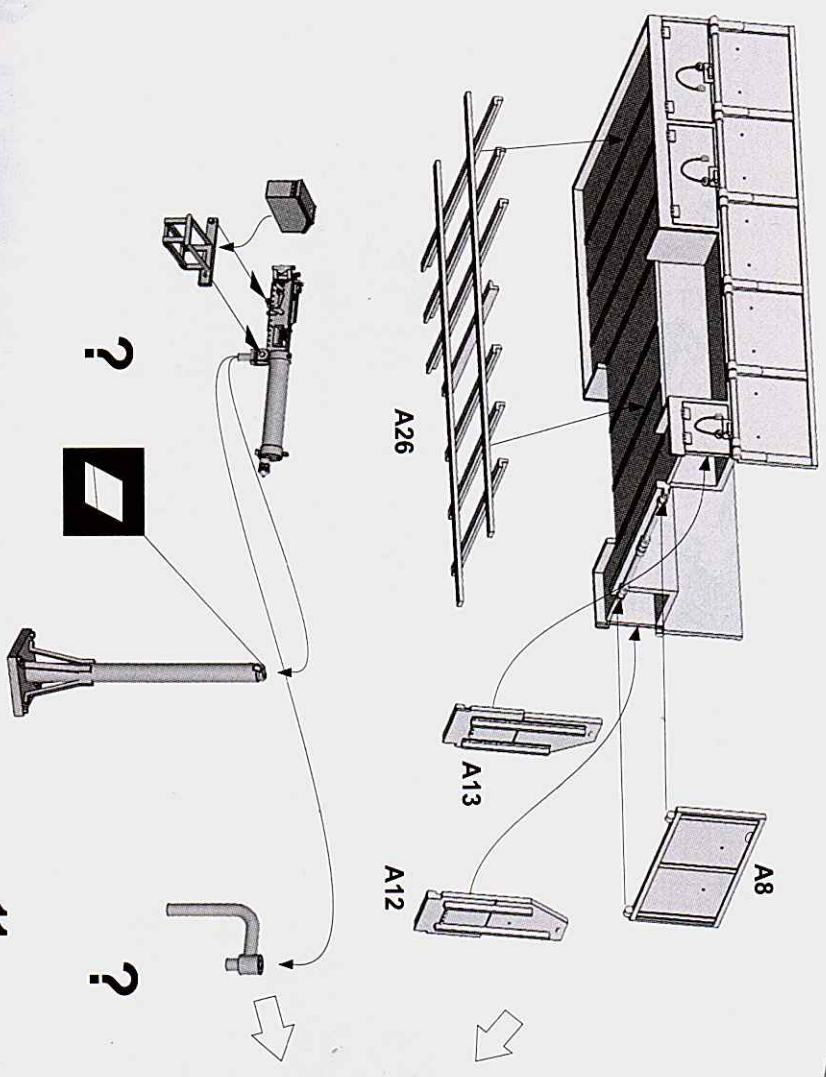
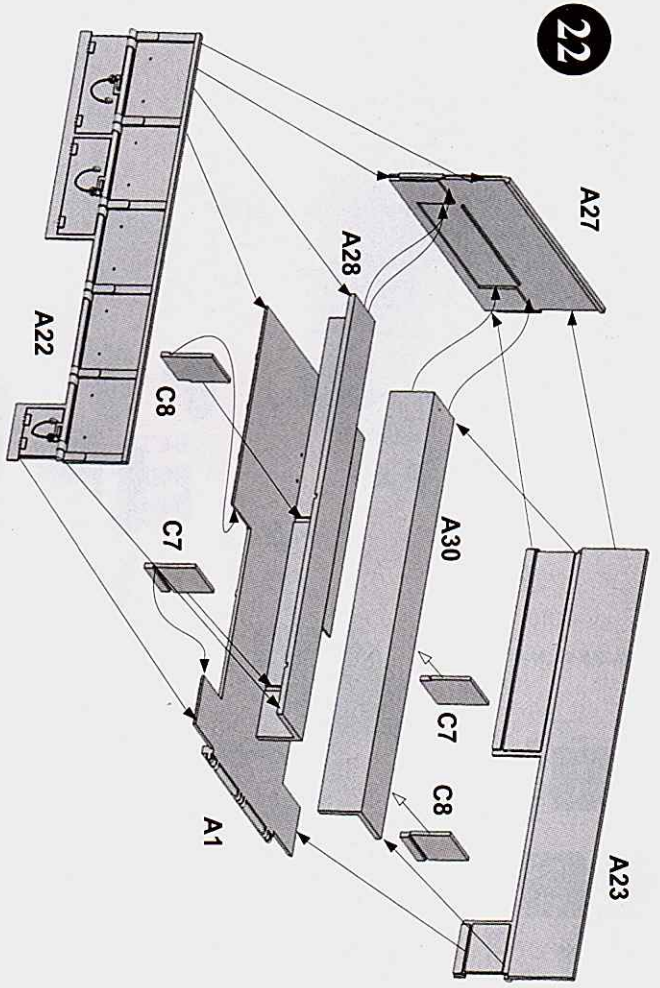
17



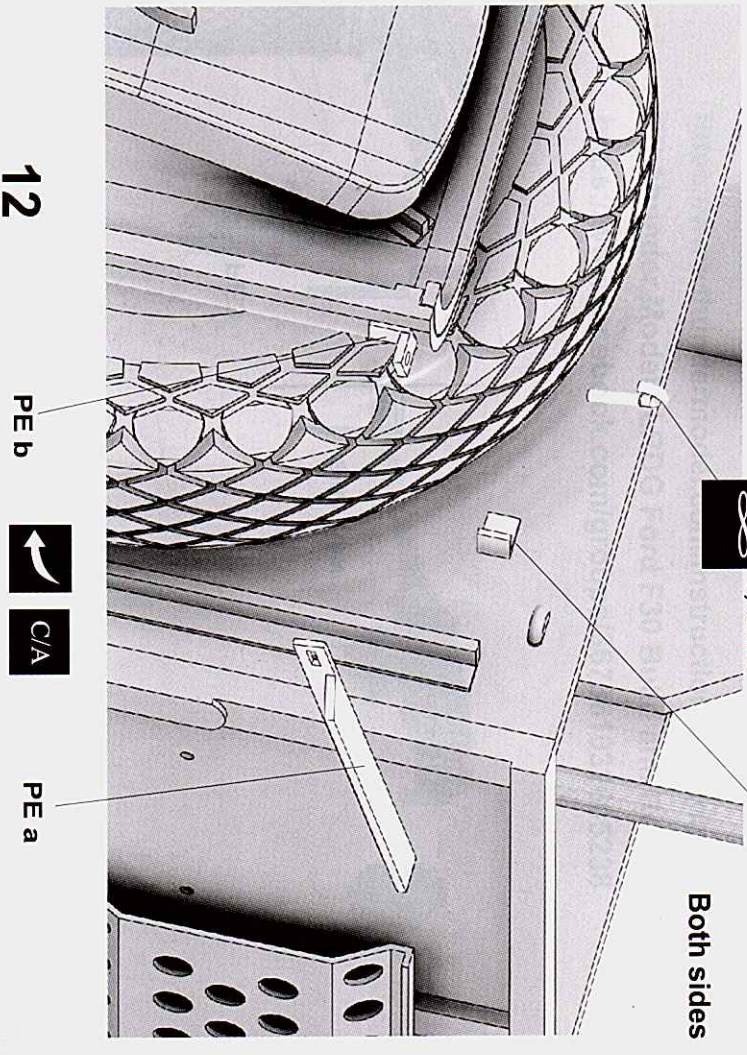
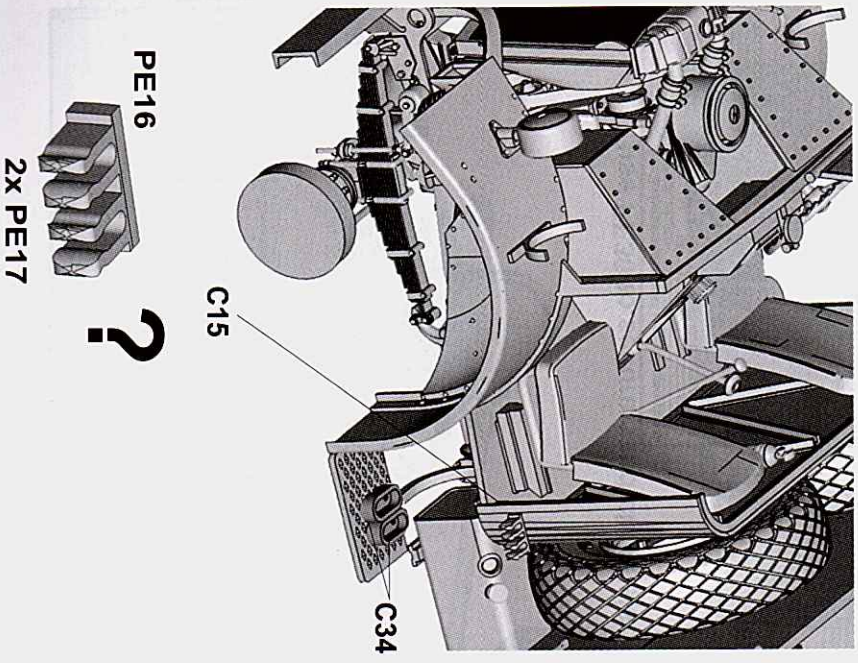
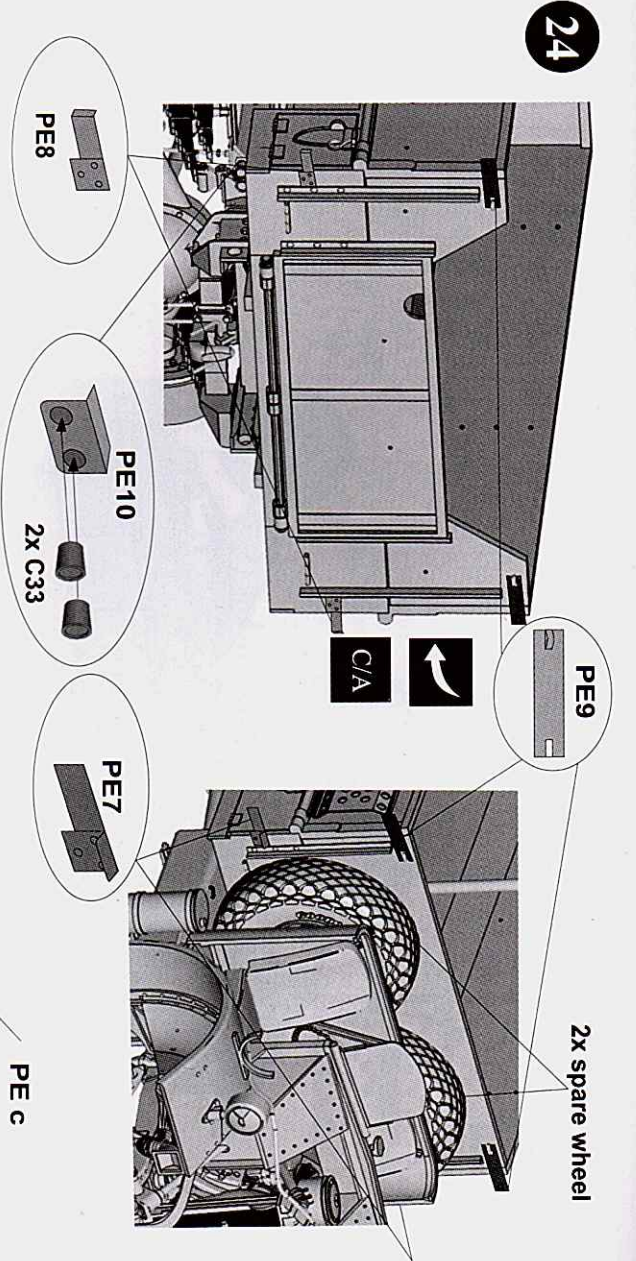
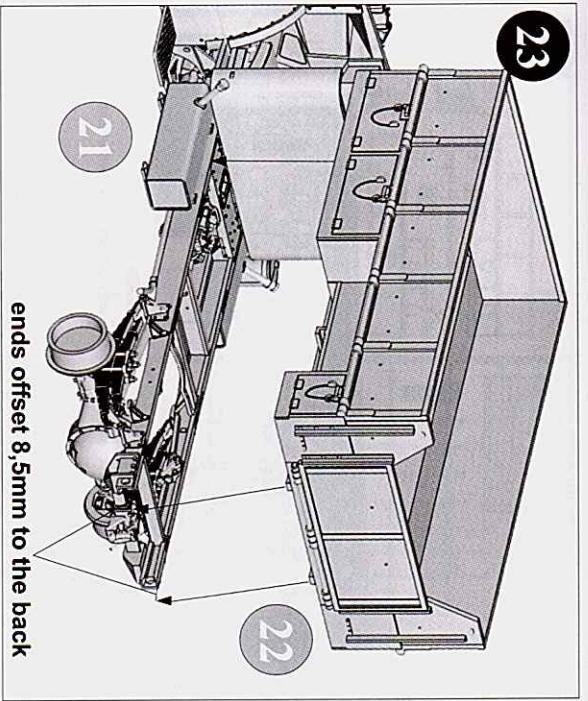
21

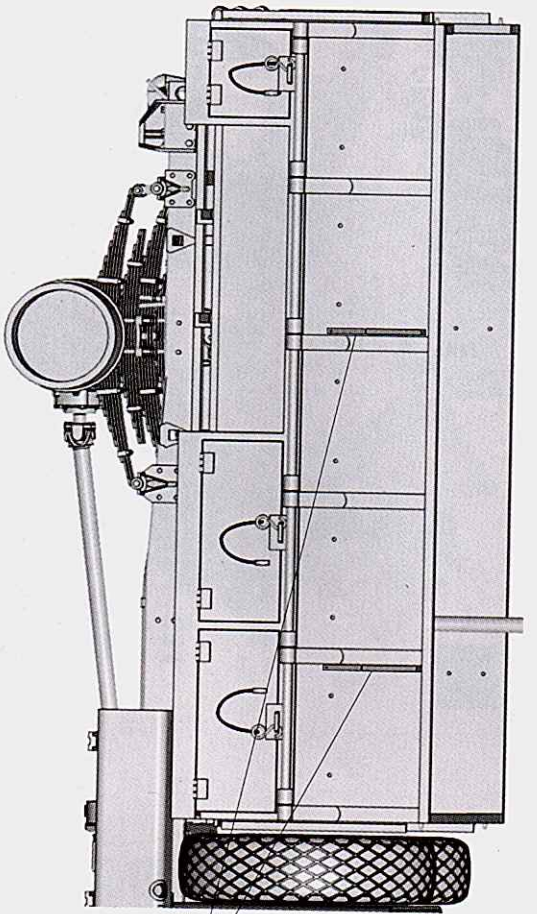


22

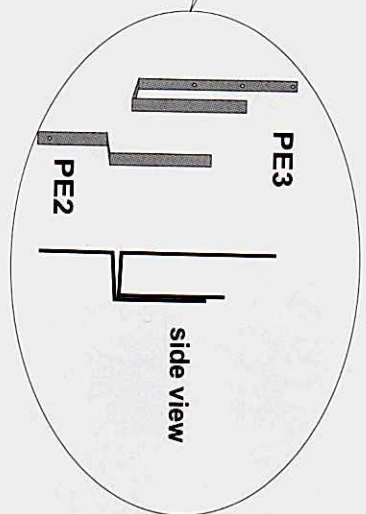


?

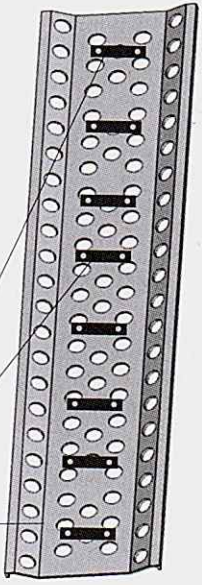




25



use PE30 to secure sand channels

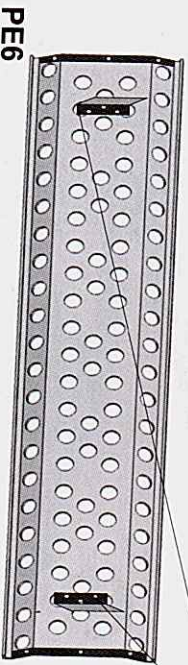


PE1

8x PE5

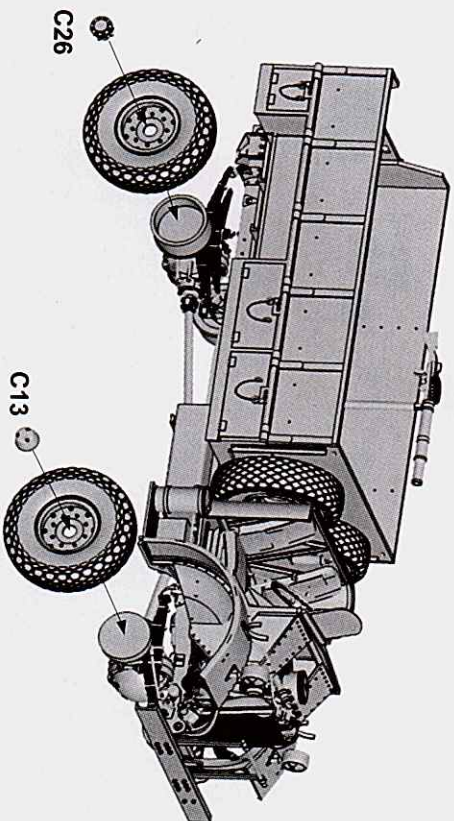
?

2x PE4



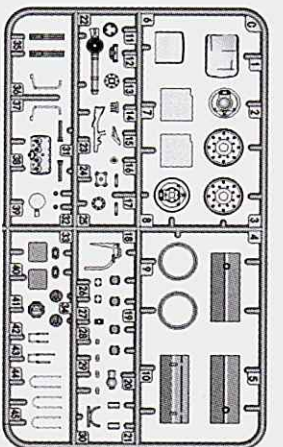
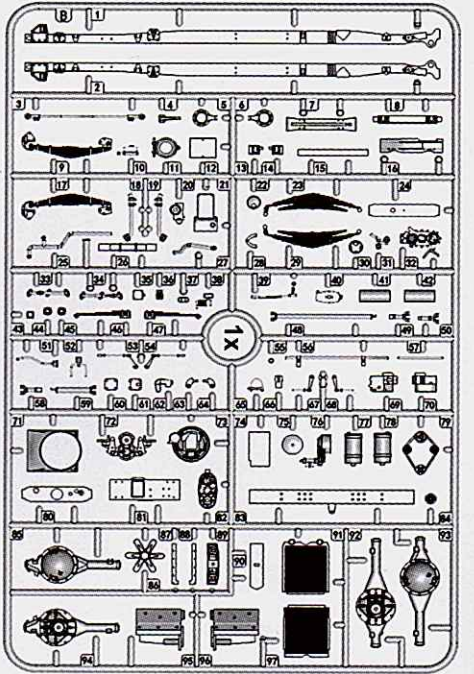
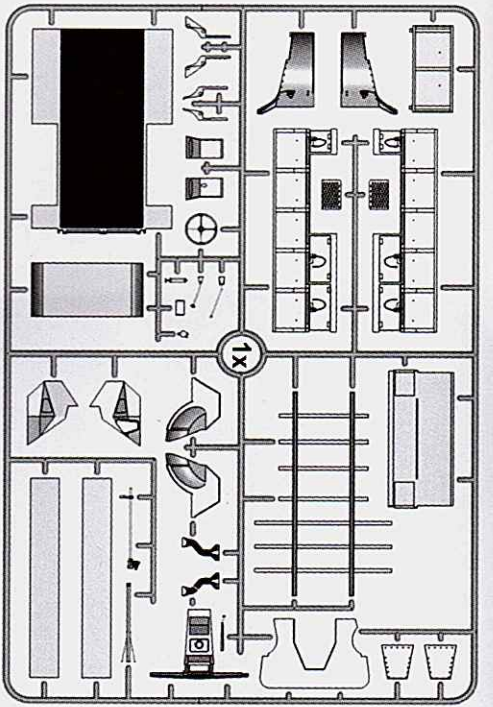
PE6

PE6



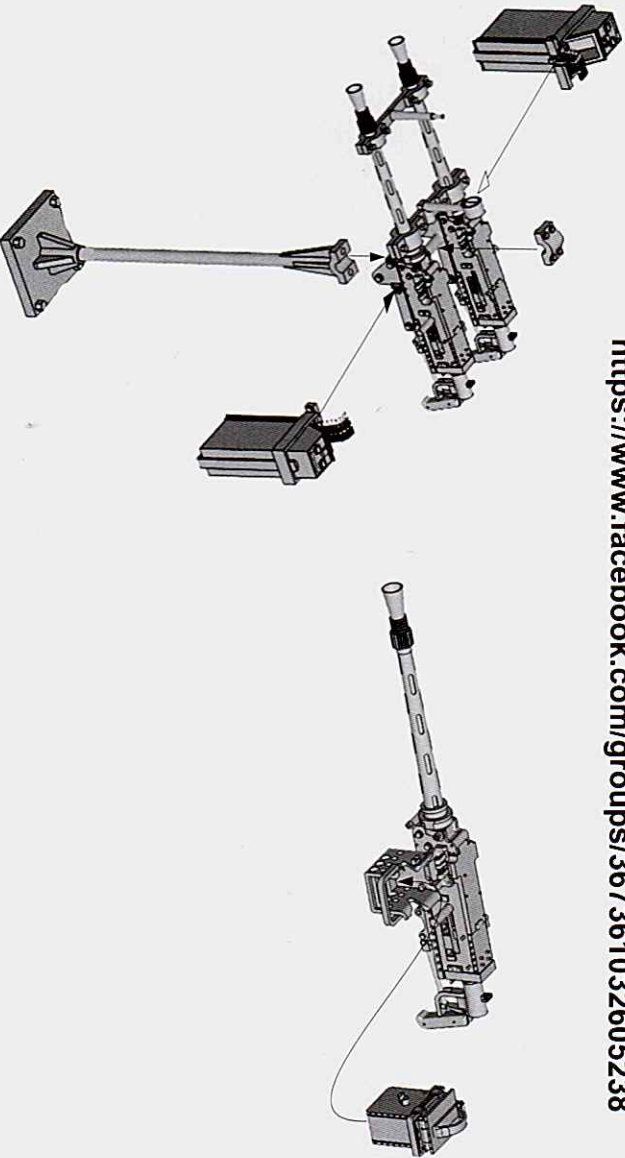
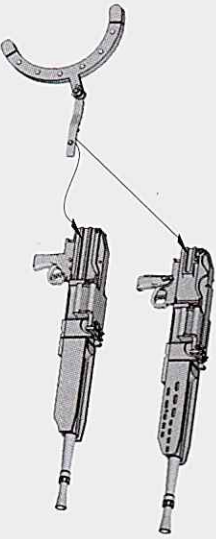
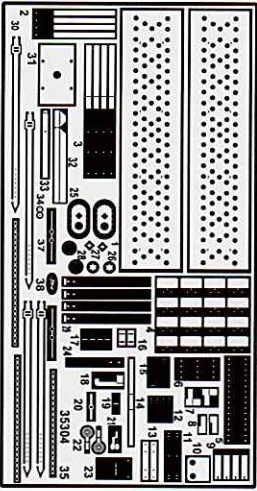
C26

C13



- 2 clear parts
- 2 clear foil windscreens
- 4+2 resin wheels
- 2x 3D resin weapons

- Bonus Edition extras:
- 2resin figures
- 3x 3D resin upgrade parts
- set of additional 3D resin weapons



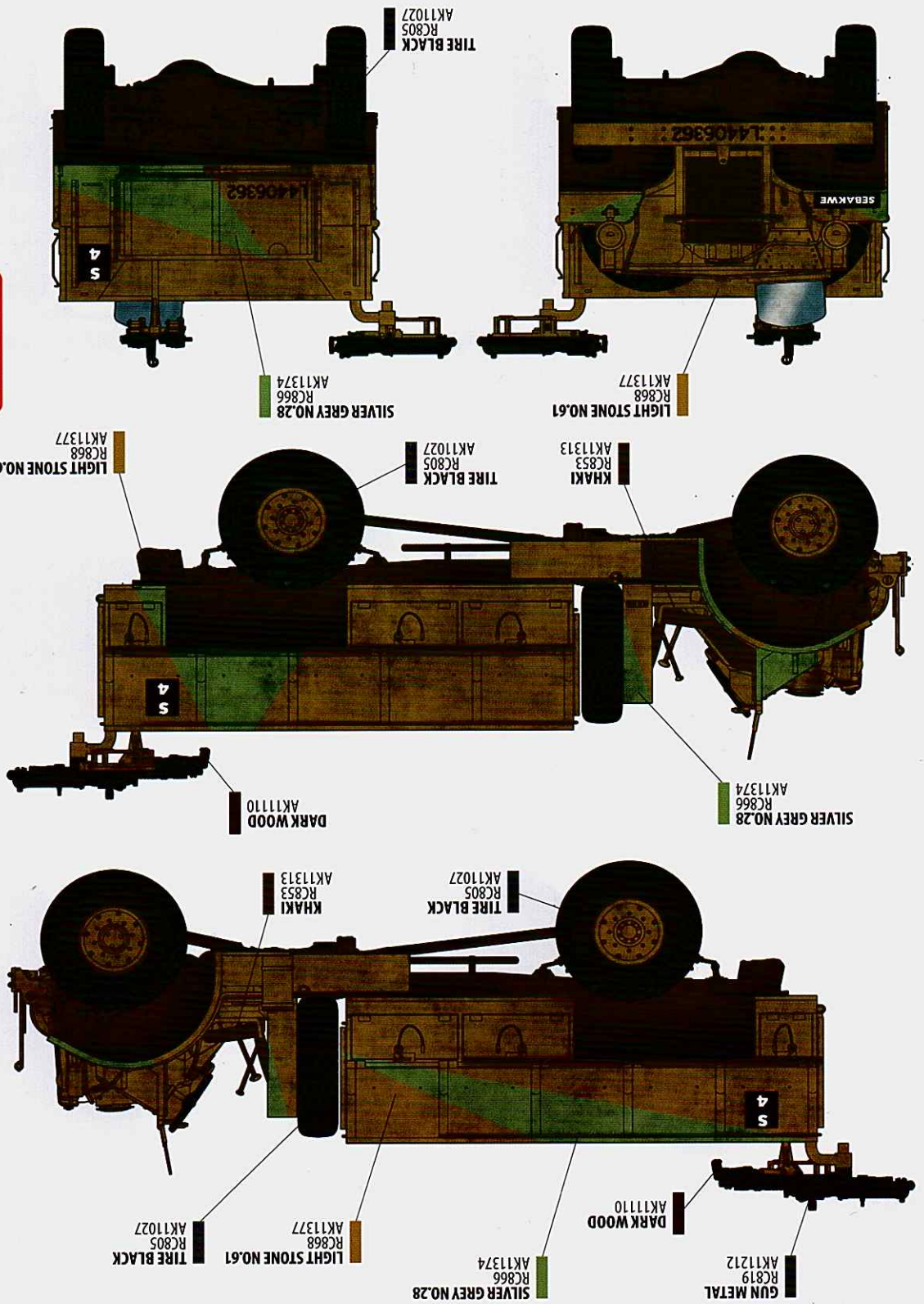
PDF instructions available at

<https://www.thundermodel.com/Instructions--building-tips.html>

FB Thunder Models LRDG Ford F30 Build and Research Group

<https://www.facebook.com/groups/367361032605238>

# LR06 F30 Patrol Truck with Offset Rear Bed



**AKK**  
Recommended  
finishing products

Overall wash for DAK vehicles  
AK066 Wash for DAK vehicles  
Dust  
AK022 Africa Dust Effects  
Streaking effects  
AK067 Streaking Grime for DAK vehicles  
Oil  
AK084 Engine Oil  
Fuel  
AK025 Fuel Stains  
Rust  
AK14001 Standard Rust

-  DARK WOOD  
AK1110
-  GUN METAL  
RC819  
AK11212
-  DARK RUST  
RC863  
AK11107
-  KHAKI  
RC853  
AK11313
-  TIRE BLACK  
RC805  
AK11027
-  SILVER GREY NO.28  
RC866  
AK11374
-  LIGHT STONE NO.61  
RC868  
AK11377

**AKK**  
COLOR INFO AND PROFILES BY

**Thunder**  
MODEL  
迅雷模型

# LR06 F30 Patrol Truck with Offset Rear Bed



**AKK**  
Recommended finishing products

- AK066 Wash for DAK vehicles
- AK022 Africa Dust Effects
- AK067 Streaking Grime for DAK vehicles
- Oil
- AK084 Engine Oil
- Fuel
- AK025 Fuel Stains
- Rust
- AK14001 Standard Rust

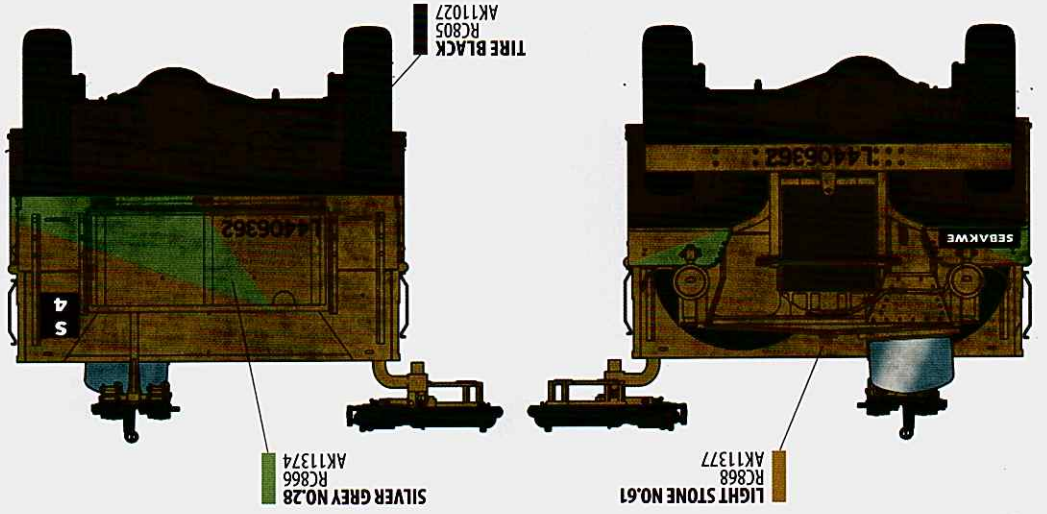
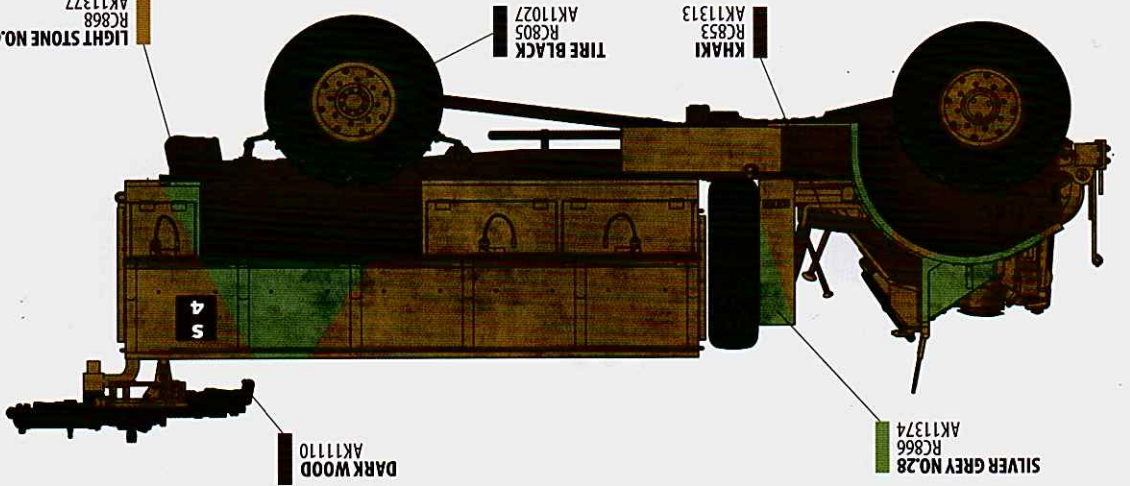
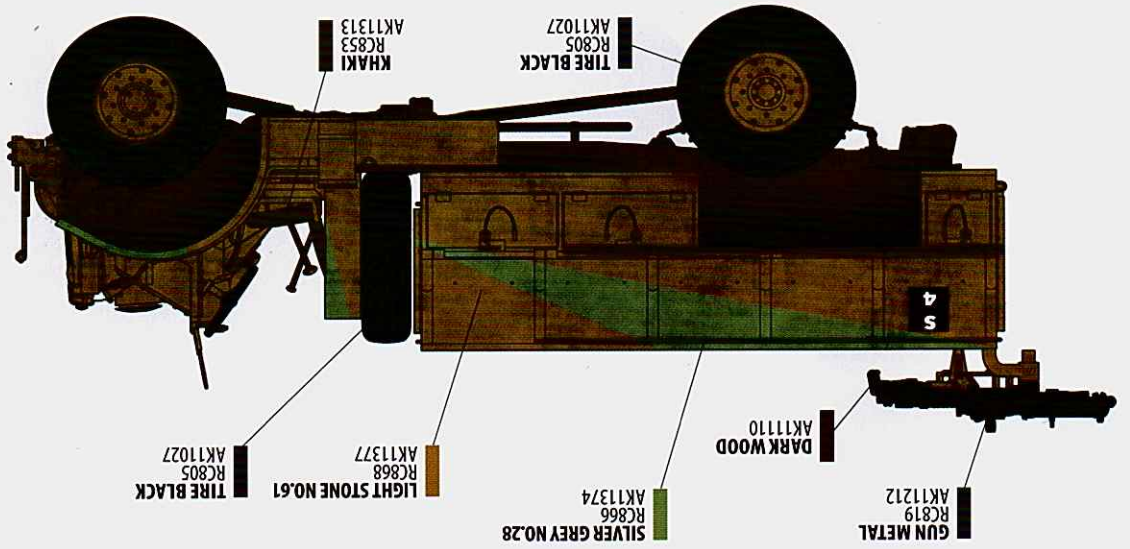
- AK1110 DARK WOOD
- AK1212 GUN METAL
- AK1107 DARK RUST
- AK1313 KHAKI
- AK11027 TIRE BLACK
- AK1374 SILVER GREY NO.28
- AK1377 LIGHT STONE NO.61

COLOR INFO AND PROFILES BY **AKK**

**Thunder** MODEL 迅雷模型



# LR06 F30 Patrol Truck with Offset Rear Bed



- DARK WOOD AK1110
- GUN METAL RC819 AK1122
- DARK RUST RC863 AK1107
- KHAKI RC853 AK11313
- TIRE BLACK RC805 AK11027
- SILVER GREY NO.28 RC866 AK11374
- LIGHT STONE NO.61 RC868 AK11377

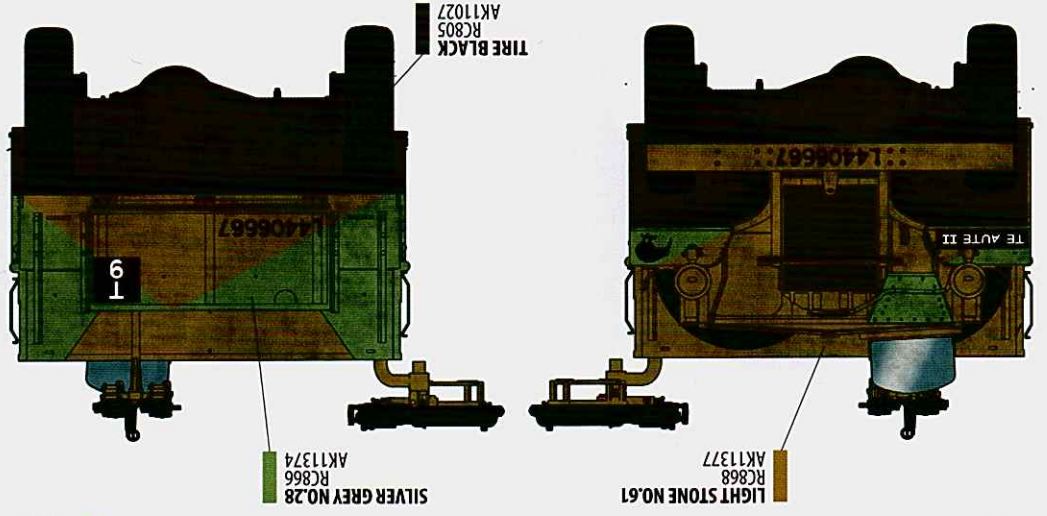
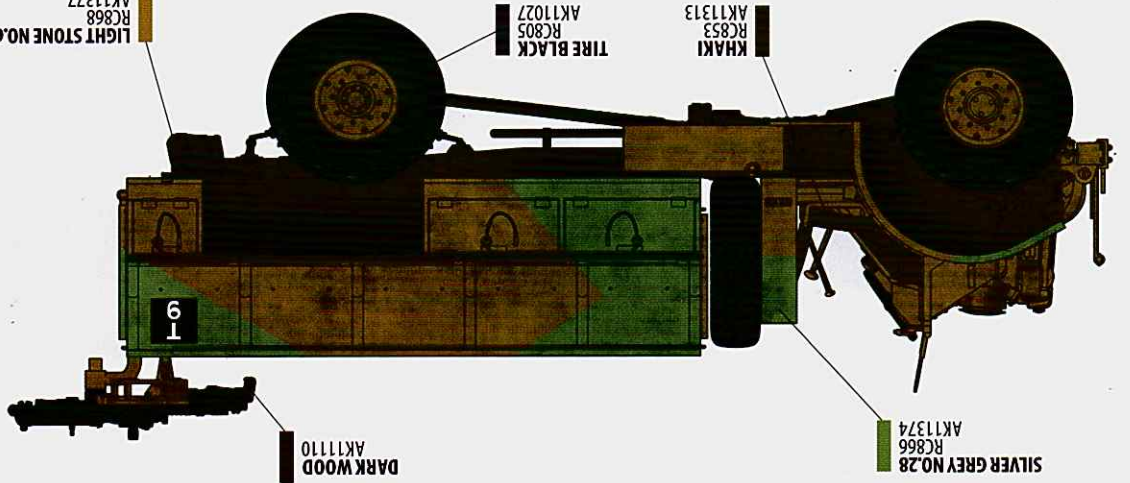
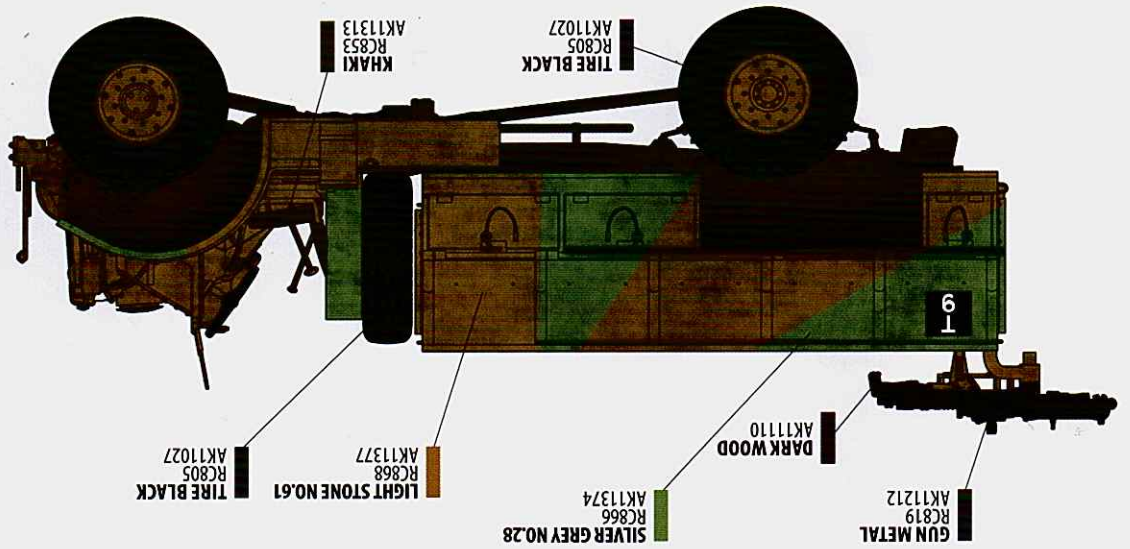
**AK**  
Recommended finishing products

- Overall wash for DAK vehicles AK066 Wash for DAK vehicles
- Dust AK022 Africa Dust Effects
- Streaking effects AK067 Streaking grime for DAK vehicles
- Oil AK084 Engine Oil
- Fuel AK025 Fuel Stains
- Rust AK14001 Standard Rust

**AK**  
COLOR INFO AND PROFILES BY



# LR06 F30 Patrol Truck with Offset Rear Bed



- Light Stone NO.61 RC868 AK11377
- Silver Grey NO.28 RC866 AK11374
- Tire Black RC805 AK11027
- Dark Rust RC863 AK11107
- Gun Metal RC819 AK11212
- Dark Wood AK11110
- Khaki RC853 AK11313
- Dark Rust RC863 AK11107
- Gun Metal RC819 AK11212
- Dark Wood AK11110

Overall wash for DAK vehicles  
AK066 Wash for DAK vehicles  
Dust  
AK022 Africa Dust Effects  
Streaking effects  
AK067 Streaking Grime for DAK vehicles  
Oil  
AK084 Engine Oil  
Fuel  
AK025 Fuel Stains  
Rust  
AK14001 Standard Rust

Recommended  
finishing products



COLOR INFO AND PROFILES BY  
**AK**



# LR06 F30 Patrol truck



COLOR INFO AND PROFILES BY



-  LIGHT STONE NO.61  
RC040 AK11377 OR
-  PORTLAND STONE NO.64  
RC041 AK11378 OR

-  SILVER GREY NO.28  
RC038 AK11374 OR

-  SLATE NO.34  
RC039 AK11375

-  GUN METAL  
RC015 AK11212

-  DARK WOOD  
AK11110

-  TIRE BLACK  
RC022 AK11027

-  KHAKI  
RC058 AK11317

-  DARK RUST  
RC066 AK11107

**AKK**  
Recommended  
finishing products

- Overall wash  
AK066 Wash for DAK vehicles
- Dust  
AK022 Africa Dust Effects
- Streaking effects  
AK067 Streaking grime for DAK vehicles
- Oil  
AK084 Engine Oil
- Fuel  
AK025 Fuel Stains
- Rust  
AK14001 Standard Rust

