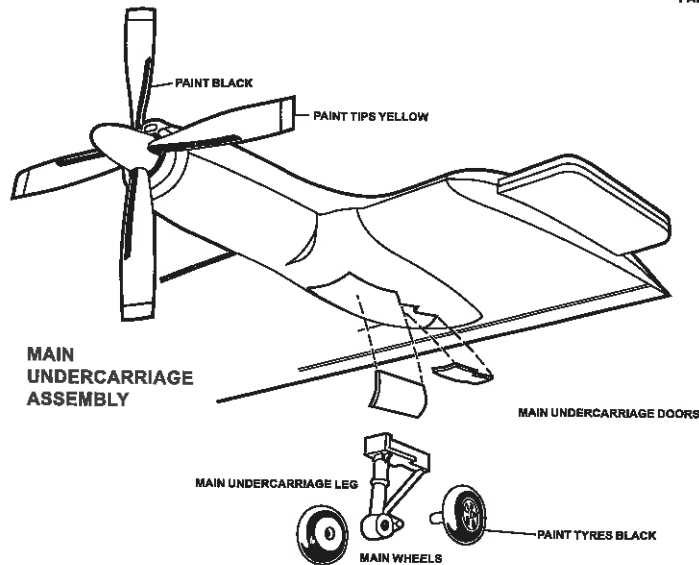
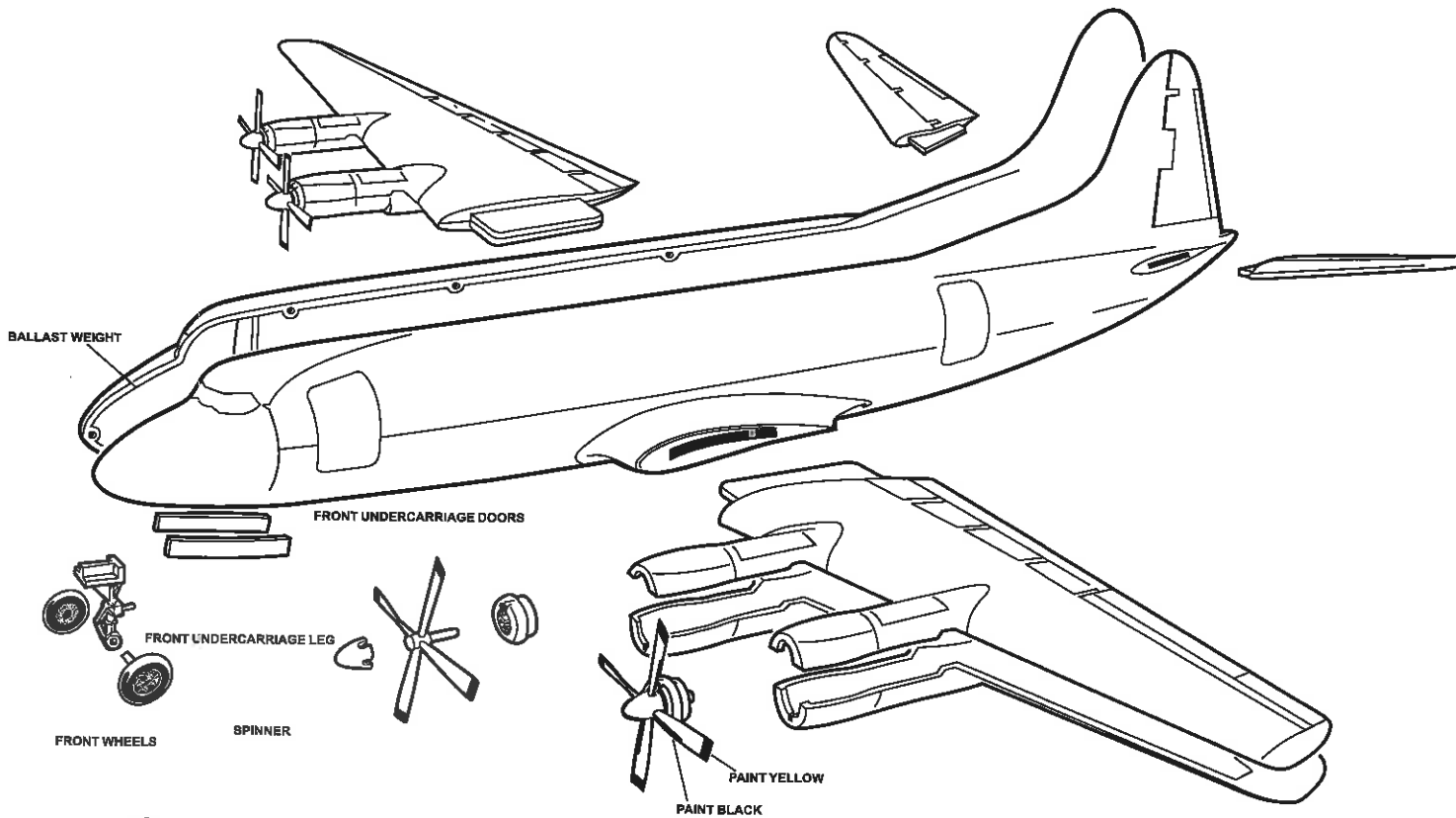


# Vicker Viscount 800

## 1:144

S&M Models. A Magda Ltd Product  
 Suite 2 Global House  
 Poyle Road  
 Colnbrook  
 Berkshire  
 SL3 0AY  
 United Kingdom



### Painting and Finishing.

The Eagle Airways Viscount 800 has the fuselage top and fin White, the rest of aircraft is Natural Metal.

To paint the white part neatly it is best to mask the lower edge of the paint line with masking tape so that you paint under the decal.

The fuselage top was Red but faded quickly to an almost Salmon Pink. Please check references carefully and paint to match Decals and Box art. N.B. White is the recommended undercoat for Reds.

Paint the fronts of the engines Black and the ends of the exhaust pipes stains Natural Metal.

Undercarriage and wheel hubs are natural Metal and Tyres are Black or very Dark Grey.

To affix the Decals in place when the paint has dried. Separate each part of the Decal sheet first. Dip the individual Decals into warm water for a few moments. Slide the Decal off the backing sheet onto the model taking care not to stretch or distort it. Trim the Decals to fit as required.

Decals may be sealed in place with a coat of Gloss varnish or Johnsons Clear (Future)

Take care when applying Decals as the can be delicate.