



# B-58 Hustler

KIT4354

REVELL, INC. Des Plaines, IL Copyright © 1987 All rights reserved. Made in U.S.A.

4354-4200

Packing a big punch in a small package, CONVAIR'S delta-winged B-58 was the most fantastic long-range bomber to take the air. many years in the planning stages, and taking many of its design features from its highly successful smaller brother, the F-102, the HUSTLER had become America's first line long-range bomber.

Although most information about this aircraft was top secret, it was known to have a wingspan of 55 feet, and an overall length of about 95 feet. It had admittedly flown over 1500 miles per hour, but no official top speed was announced. As part of the United States participation in the 24th International Aeronautical Show, a B-58 flew from New York to Paris in 3 hours, 19 minutes and 41 seconds.

It was powered with four General Electric J79 turbojets, each having a thrust rating of 12,000 pounds. With afterburners installed, this rating boosted appreciably.

Perhaps the most interesting feature of this aircraft was the method in which it carried its

tactical cargo. A series of external pods were designed, and in these the HUSTLER carried a variety of equipment, ranging from extra fuel, photo reconnaissance systems, to nuclear weapons.

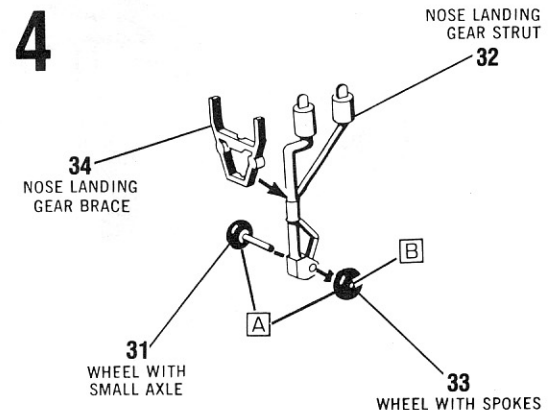
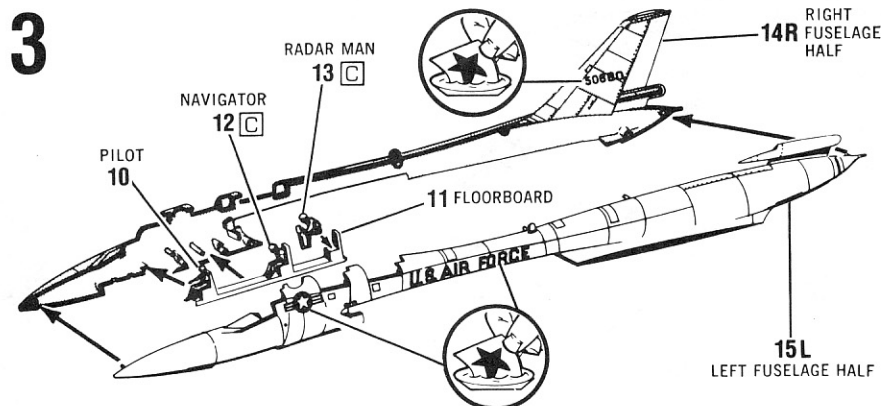
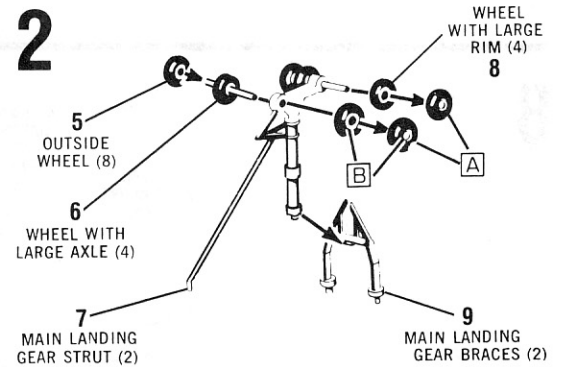
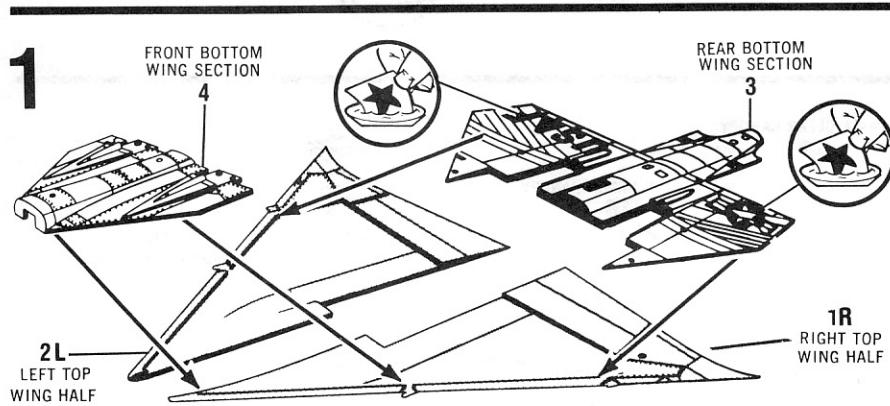
The standard crew consisted of three: a pilot, a navigator-bombardier, and a defensive systems operator. A pressurization and air conditioning system was designed into the aircraft, and controlled the heating, pressurization and dehumidification of the cabin air, as well as defogging the windshield, and keeping the cockpit temperatures low.

Among the other features included in the HUSTLER'S design was the "area rule" or "wasp waist" fuselage. This, along with a "conical camber" leading edge, and a completely new "honeycomb" wing construction made the B-58 the most spectacular bomber to join the United States Air Force.

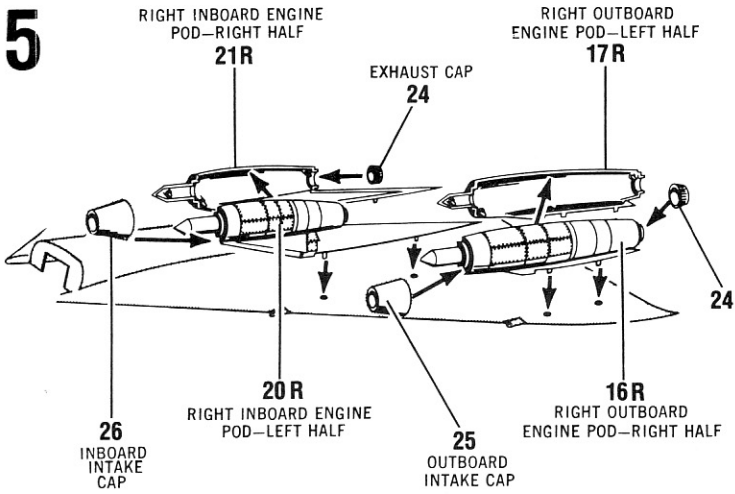
<b>A</b>	FLAT BLACK	NOIR TERNE	NEGRO APAGADO
<b>B</b>	SILVER	ARGENT	PLATA
<b>C</b>	OLIVE DRAB	VERT OLIVE	ACEITUNADO



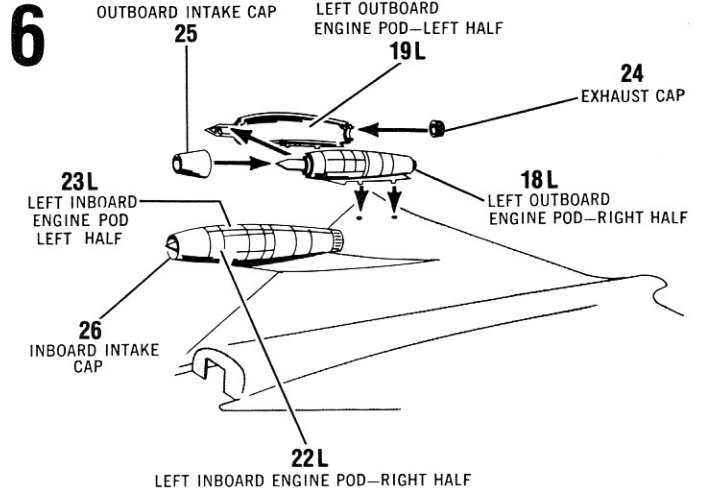
DECAL (DIP IN WATER)  
DECALCOMANIE (À PLONGER DANS L'EAU)  
DECALCOMANIA (MOJE CON AGUA)



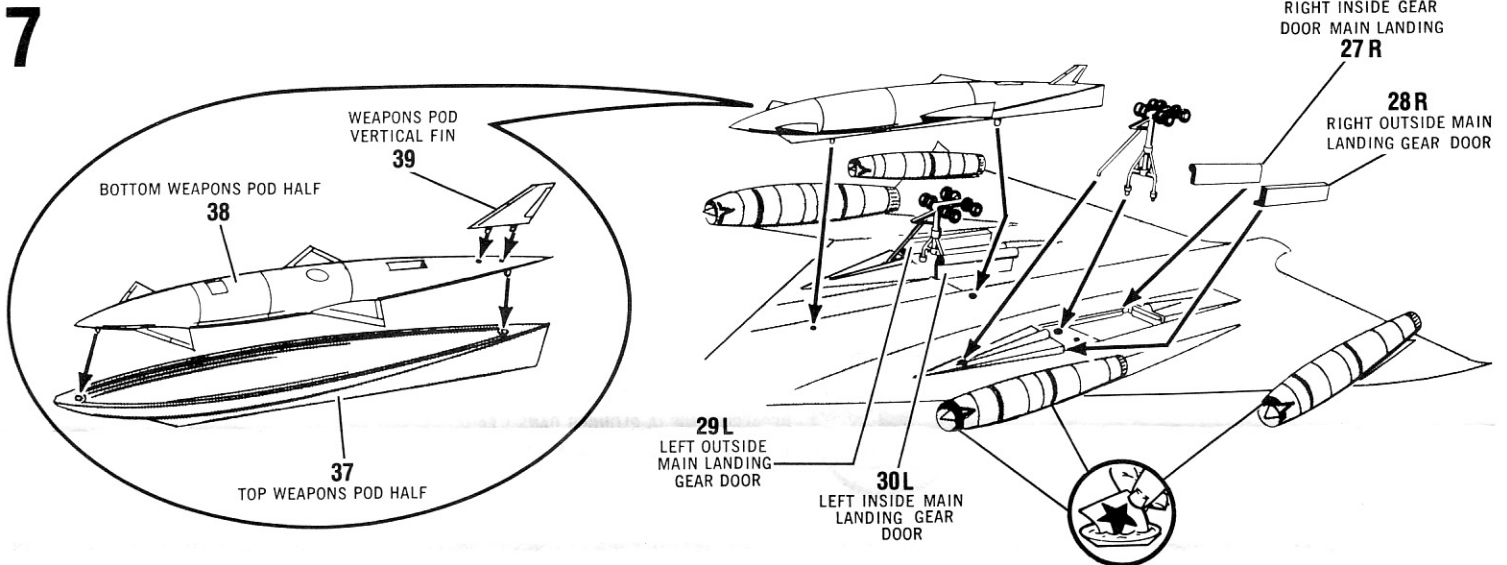
5



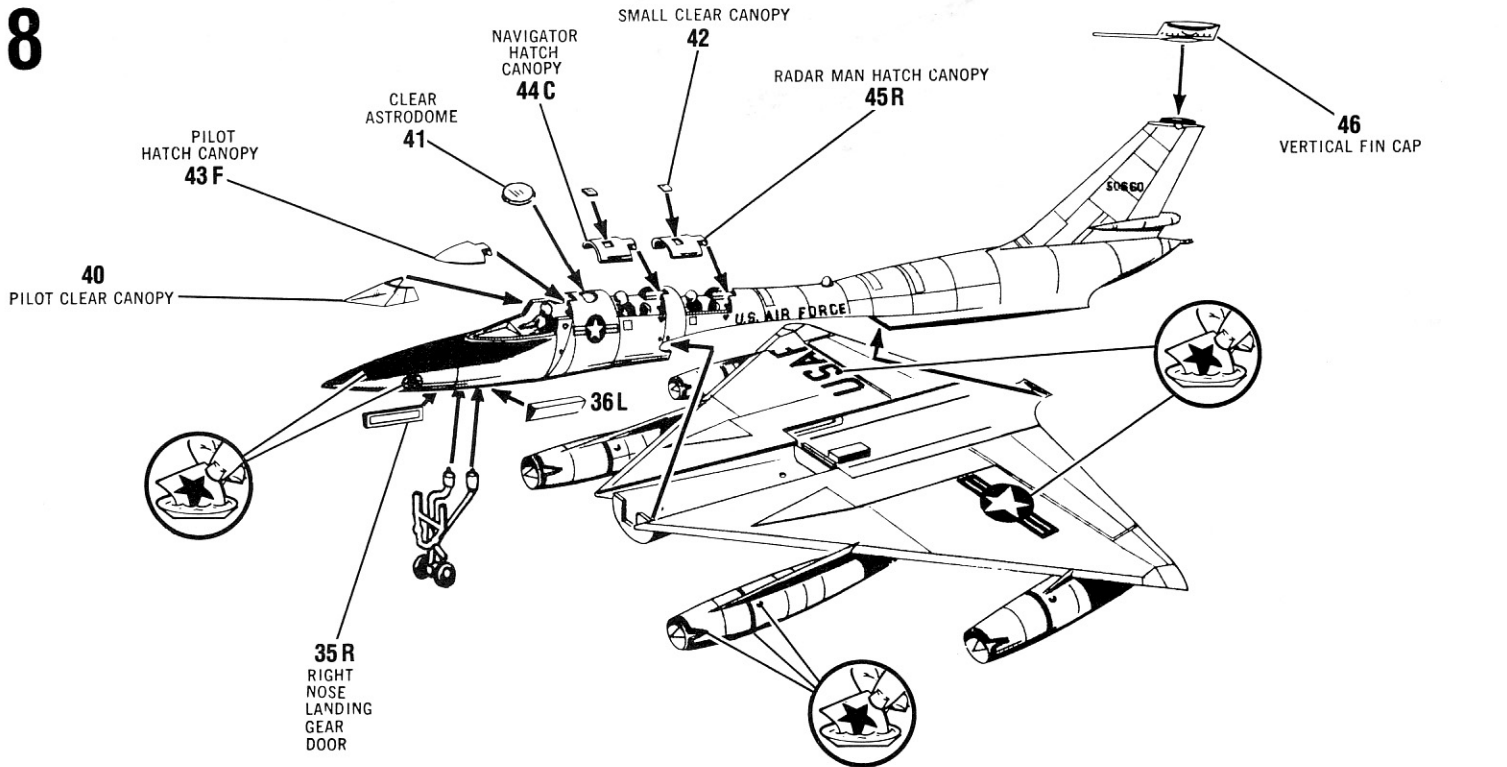
6



7



8



**B-58 HUSTLER 4354-4300**



**U.S. AIR FORCE**

**U.S. AIR FORCE**

**USAF USAF**

**50660 50660**

