

- |                   |              |
|-------------------|--------------|
| MR. COLOR         | MR. COLOR    |
| C73 aircraft grey | C43 wood     |
| MR. COLOR         | MR. COLOR    |
| C28 steel         | C2 black     |
| MR. COLOR         | MR. COLOR    |
| C8 silver         | CX 219 brass |
| MR. COLOR         | MR. COLOR    |
| C138 light grey   | C 6 green    |
|                   | gloss        |

DW 72020



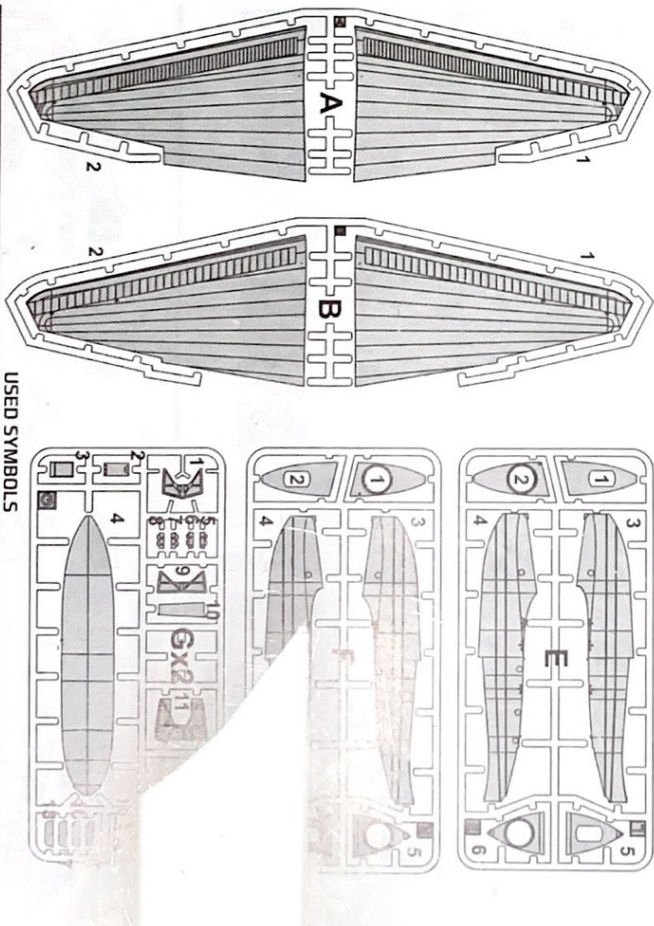
# Savoia-Marchetti S.55

## 1/72 SCALE MODEL CONSTRUCTION KIT

Ready to assemble scale models kit.  
 Contains part for one model.  
 Model length: 275 mm  
 Wingspan: 332 mm  
 Plastic parts: 186  
 Photoetched parts: 29

The Savoia-Marchetti S.55 was a double-hulled flying boat produced in Italy, beginning in 1924. Shortly after its introduction, it began setting records for speed, payload, altitude and range.  
 The S.55 featured many innovative design features. All the passengers or cargo were placed in the twin hulls, but the pilot and crew captured the plane from a cockpit in the lower section of the wing, between the hulls.  
 The aircraft's most notable feature was the retractable boom, which extended the fuselage's tail structure to the twin hulls and wing. Even though its design was unusual, the Savoia-Marchetti S.55 was a remarkably armory craft. In 1926, the S.55P prototype set 14 world records for speed, altitude and distance with a payload.  
 The S.55's greatest successor, however, were its many flights between Europe and the Americas.  
 The aircraft went on to serve in the Royal Aeronautical as a long-range bomber and patrol aircraft, but by World War II, the last S.55s were no longer serviceable and were in reserve.  
 Dorn Wings company thanks for the help in creating the model **Maxim Lysek** (Switzerland) and **Henno De Borell** (Italy).

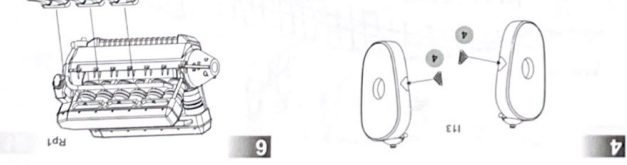
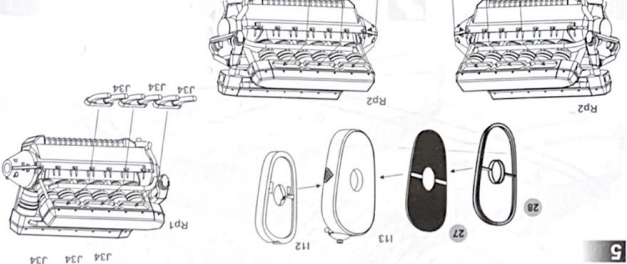
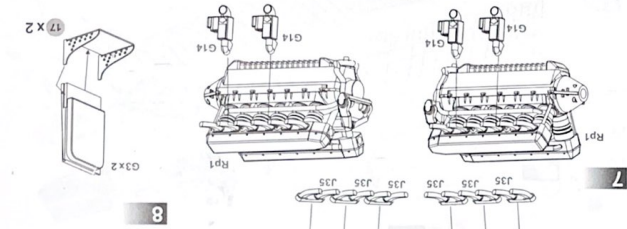
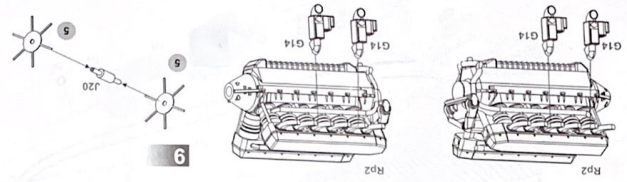
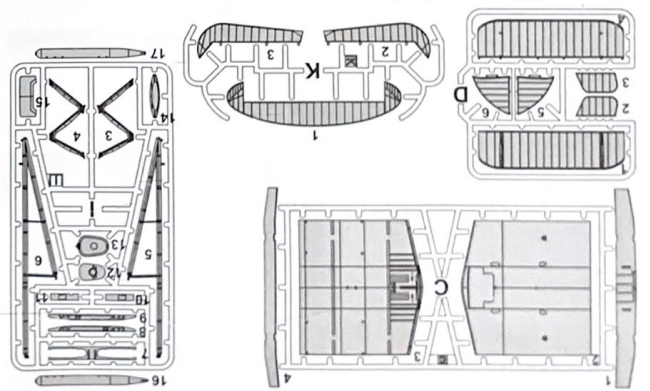
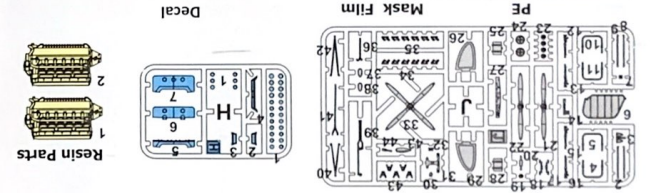
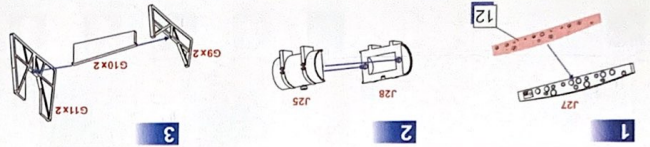
### PARTS OF THE MODEL



#### USED SYMBOLS

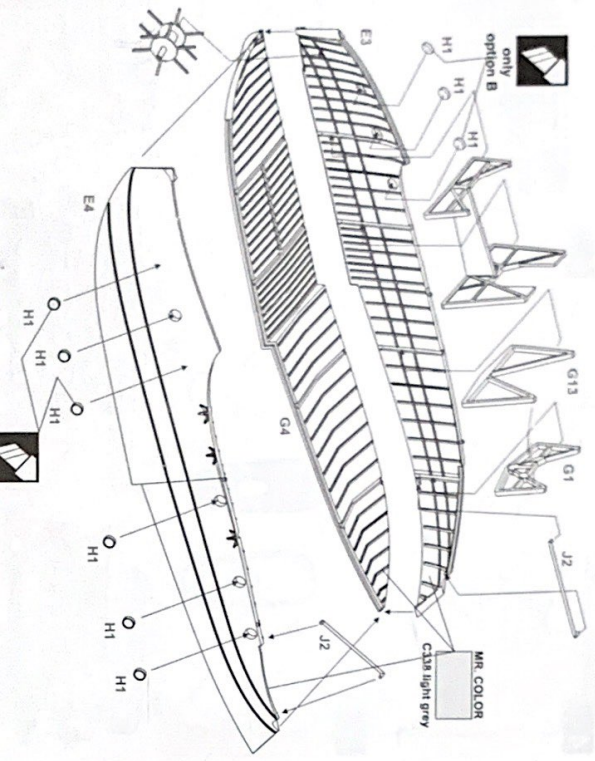
- |      |           |        |             |          |     |            |          |          |
|------|-----------|--------|-------------|----------|-----|------------|----------|----------|
|      |           |        |             |          |     |            |          |          |
| GLUE | DONT GLUE | REMOVE | SYMMETRICAL | MULTIPLE | END | OPEN WHOLE | VARIANTS | TO PAINT |

ASSEMBLY INSTRUCTION

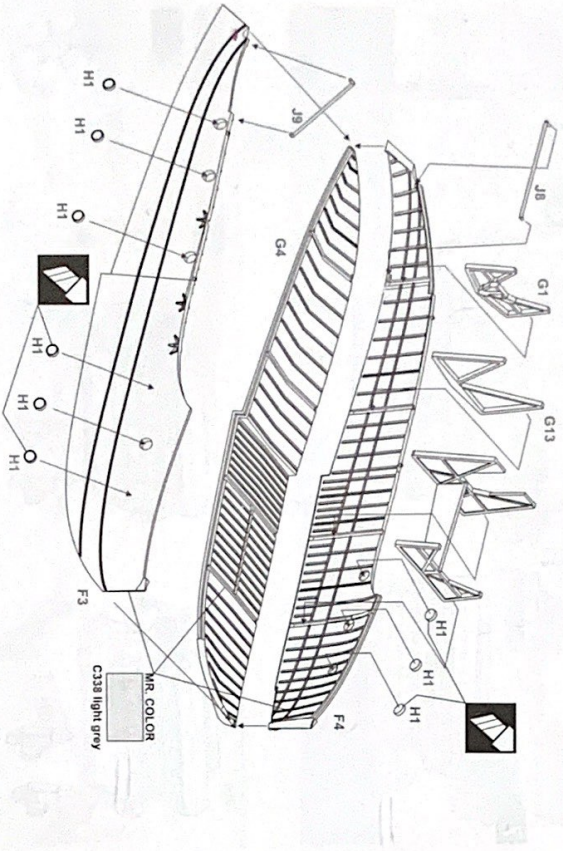




10



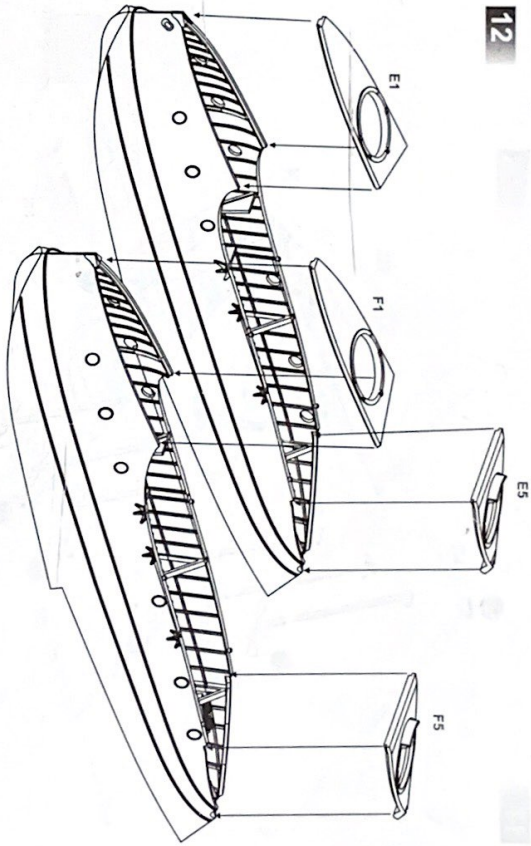
11



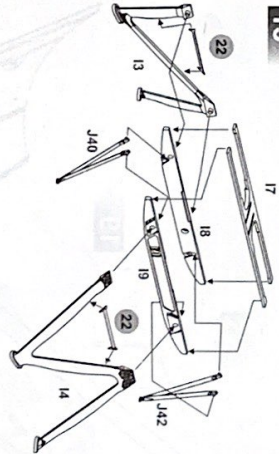
4

Savoia-Marchetti S.55

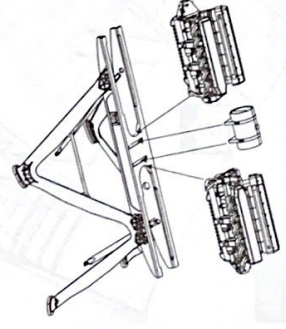
12



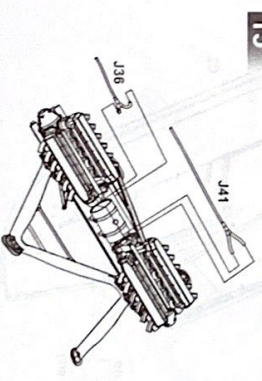
13



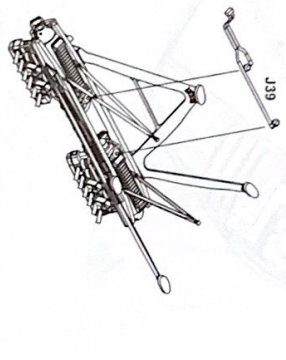
14



15



16

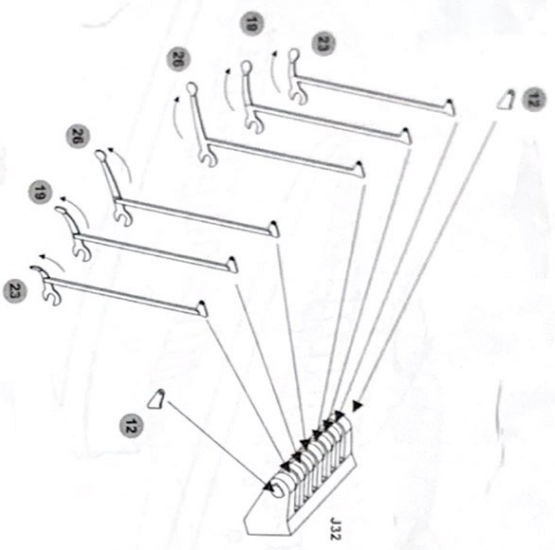


Savoia-Marchetti S.55

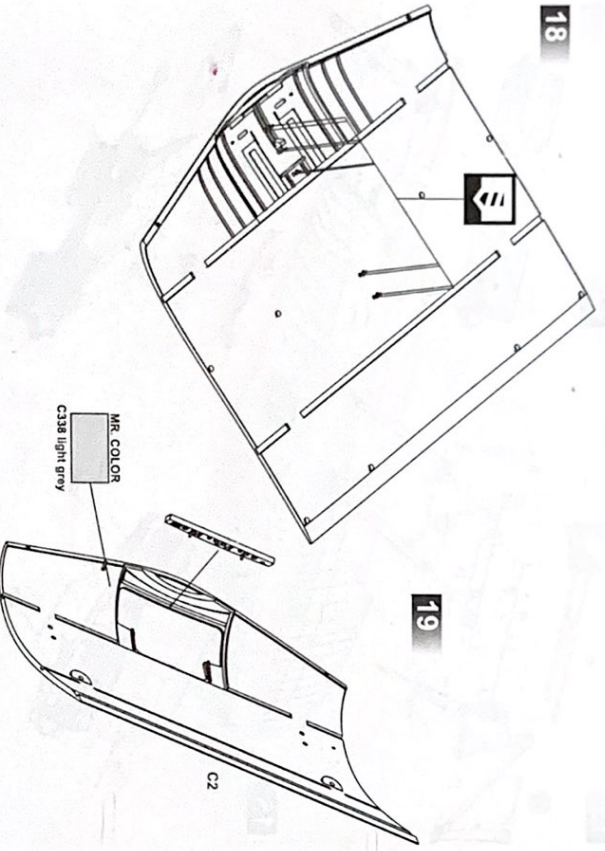
5



17

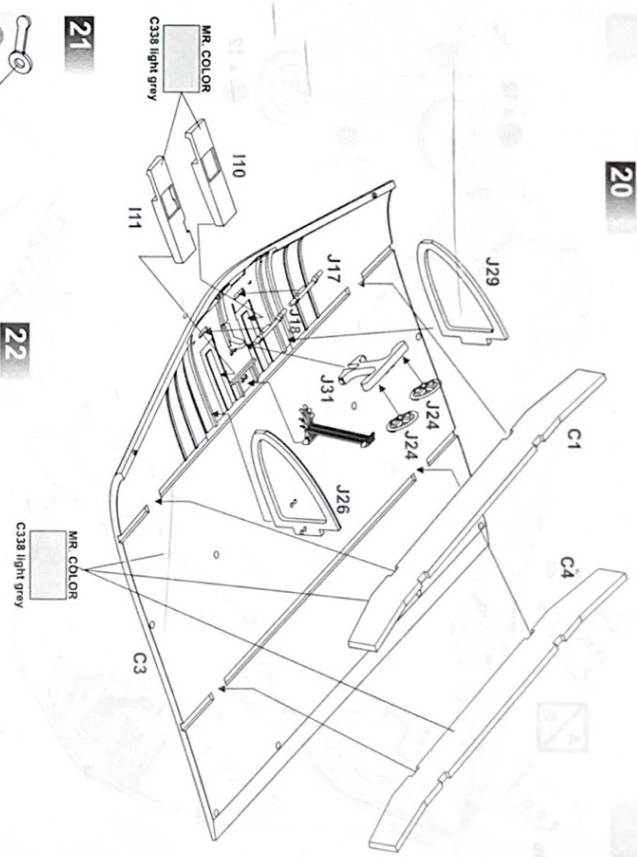


18



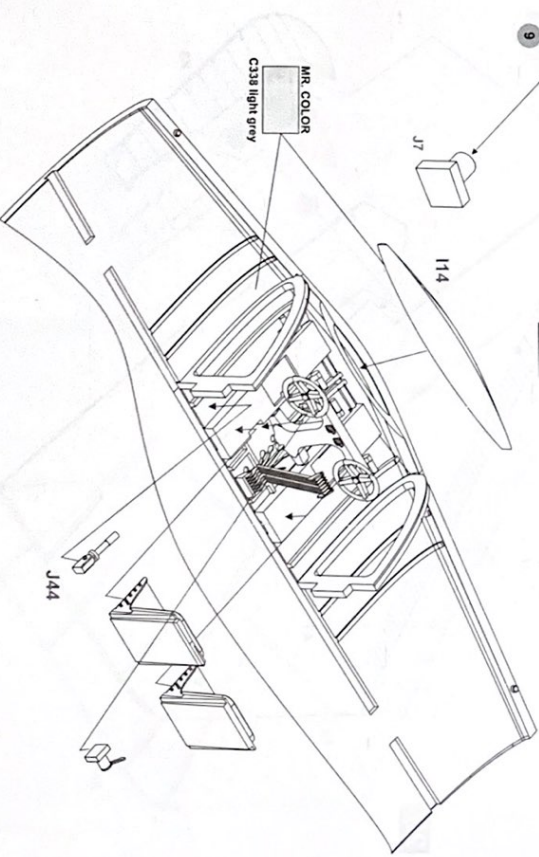
19

20

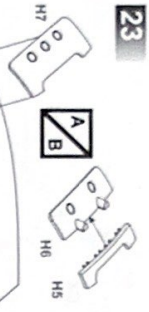


21

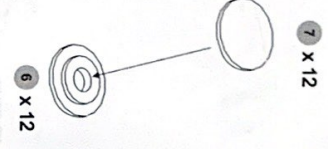
22



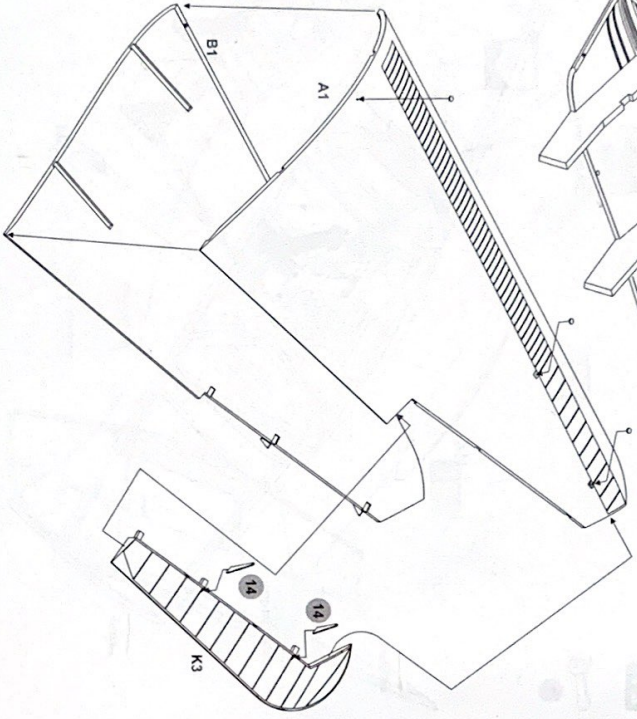
23



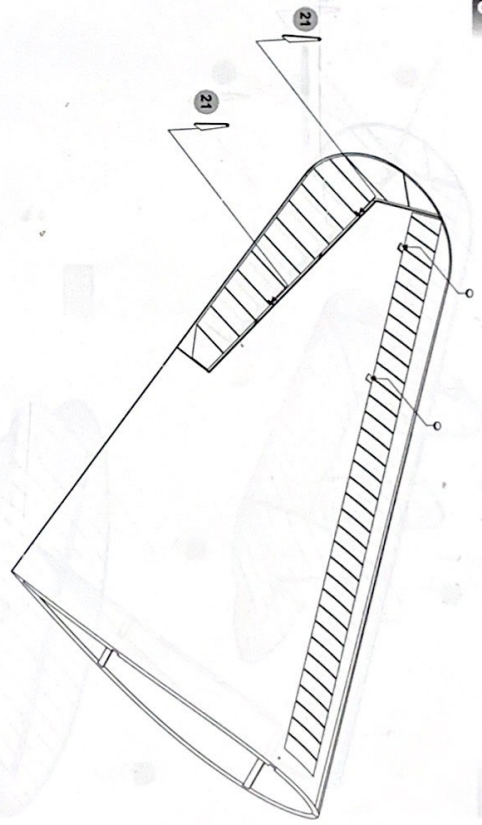
24



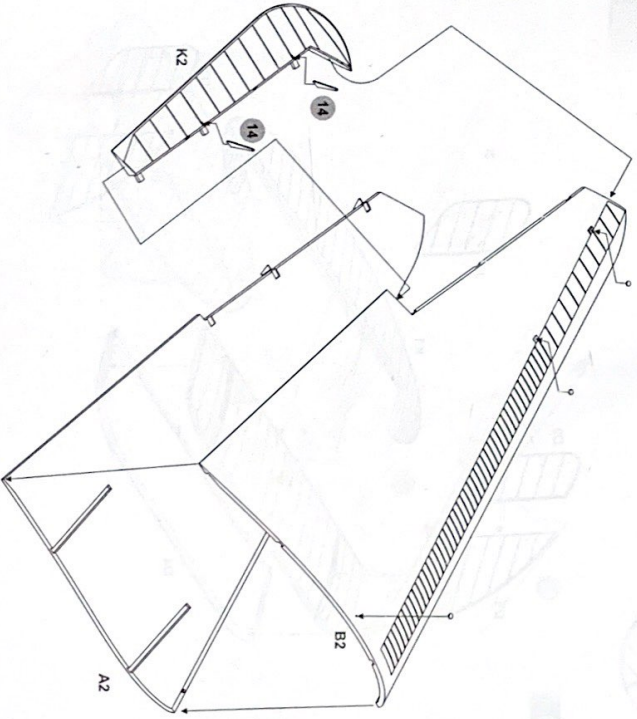
25



26

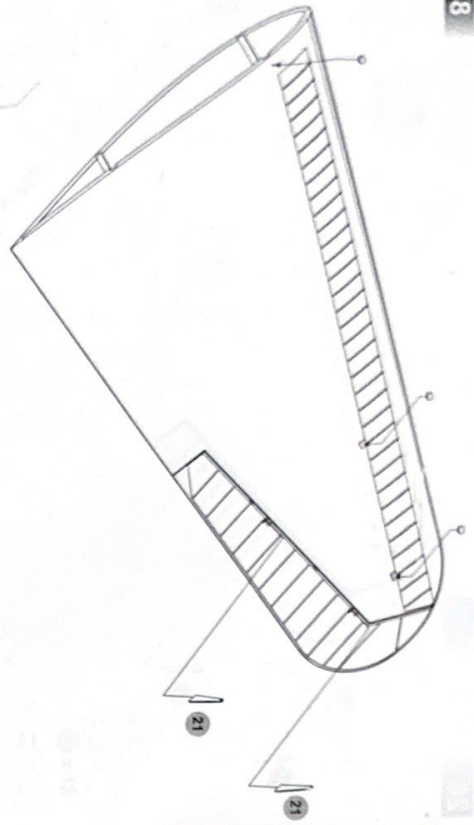


27

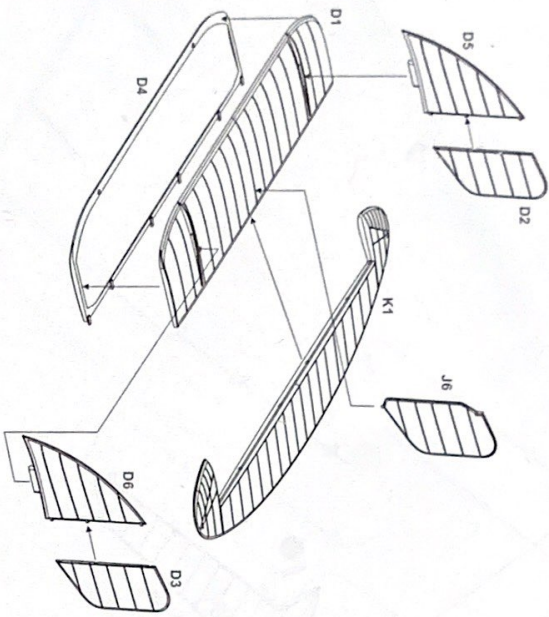




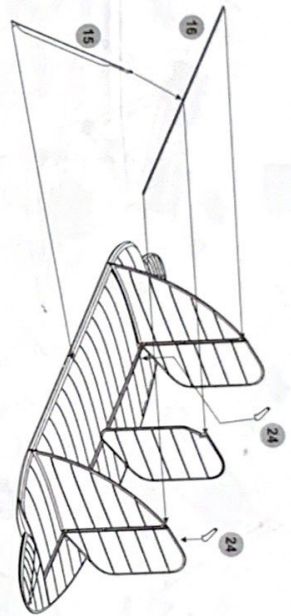
28



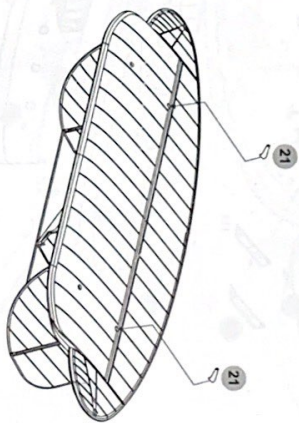
29



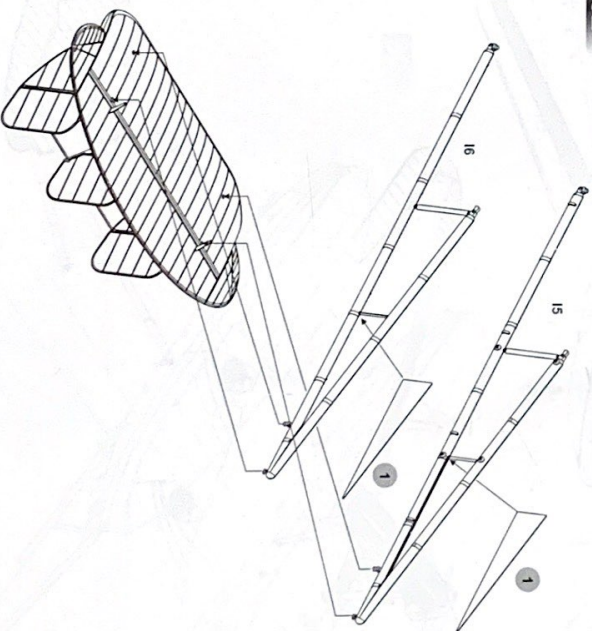
30



31

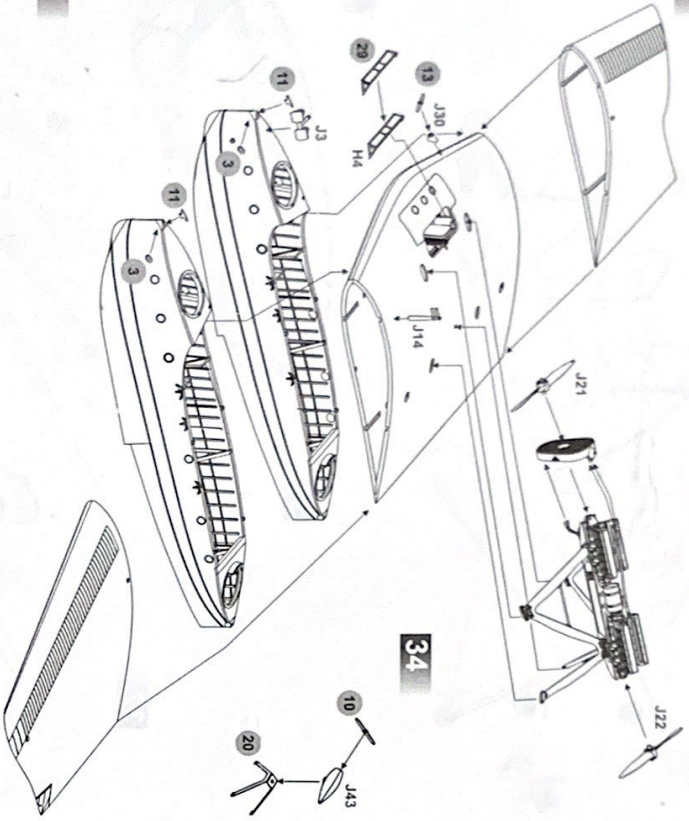


32

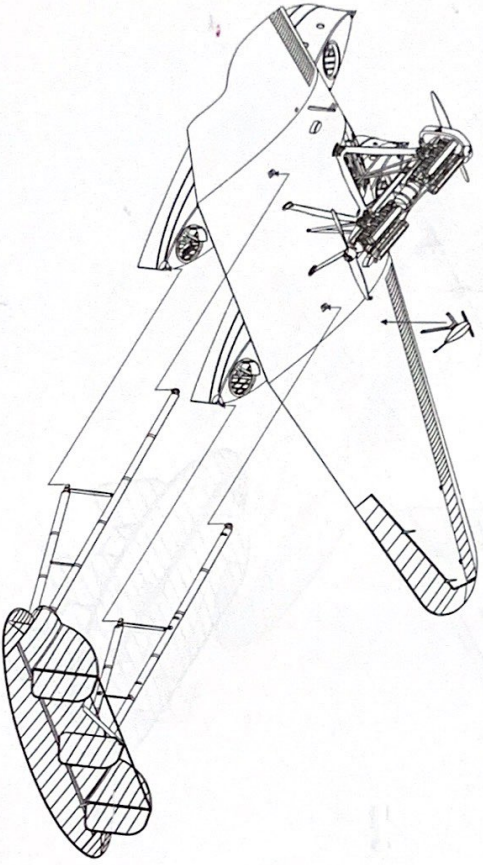




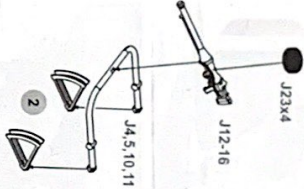
**33**



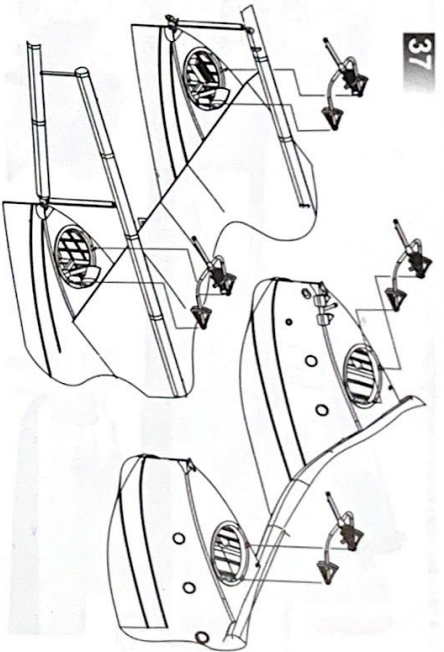
**35**



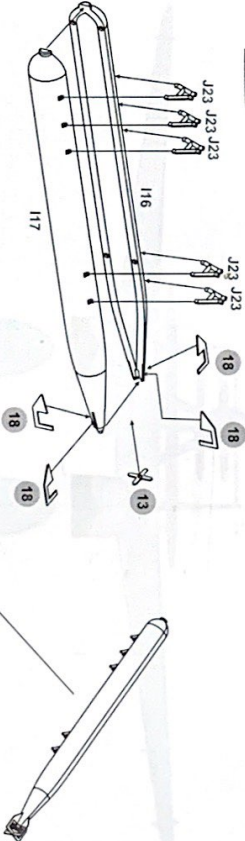
**36**



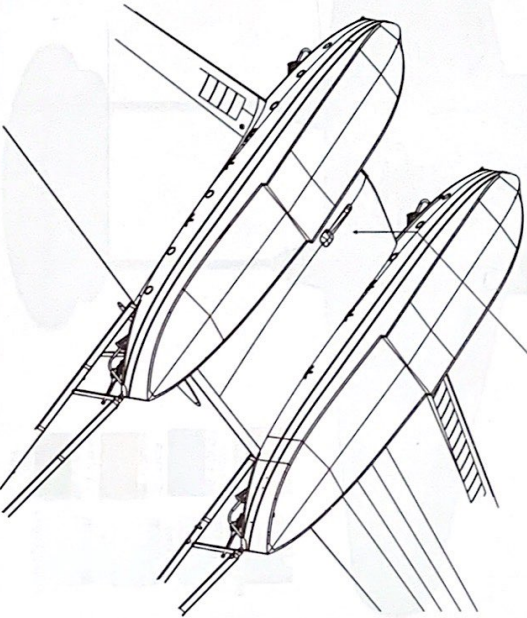
**37**



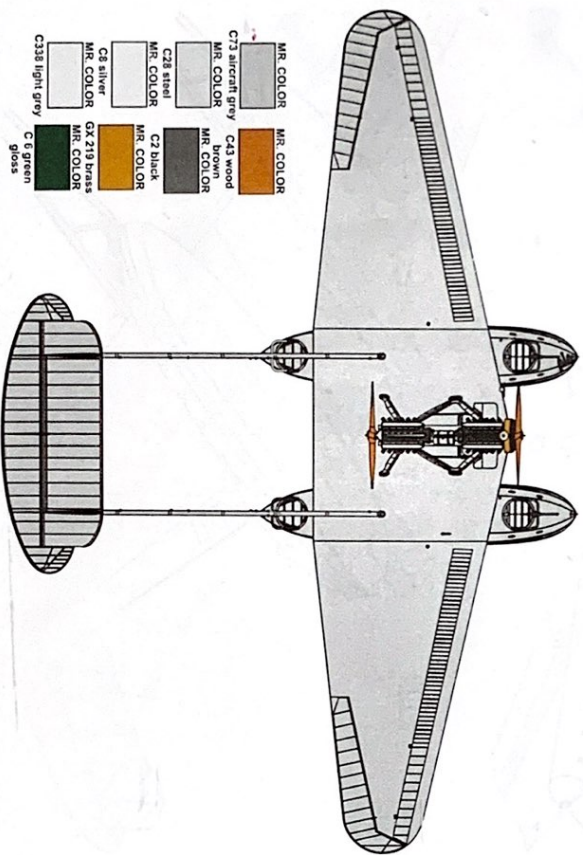
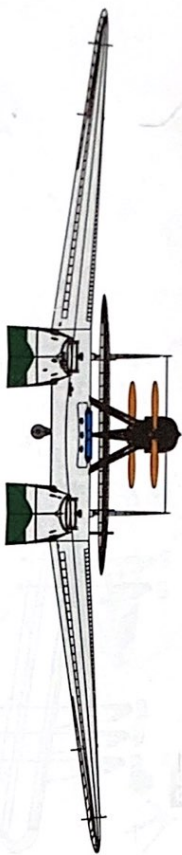
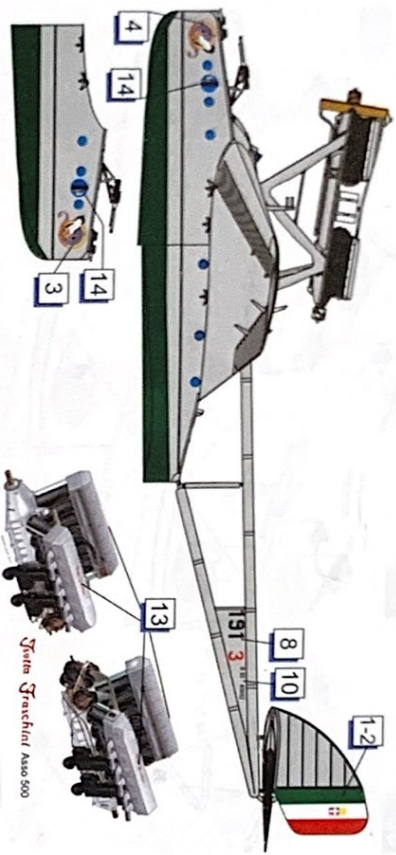
**38**



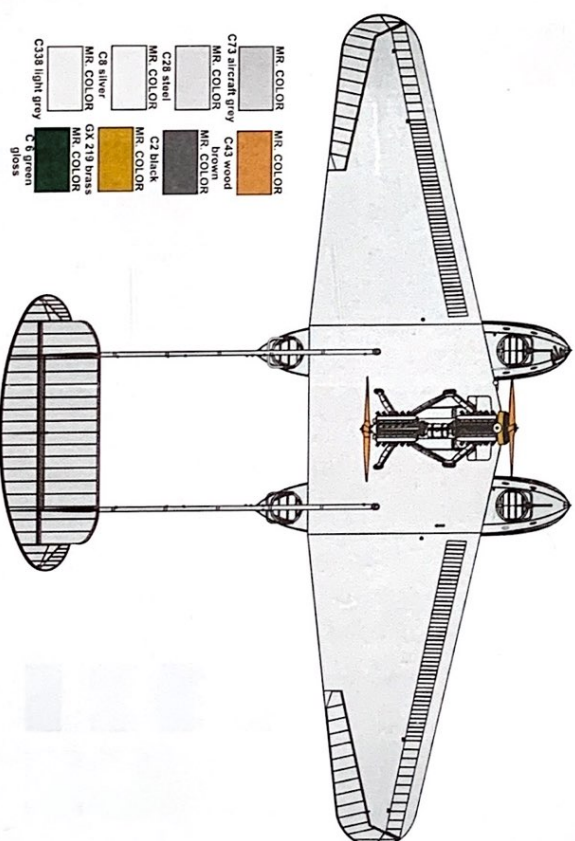
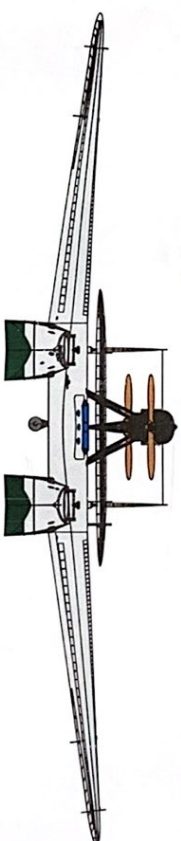
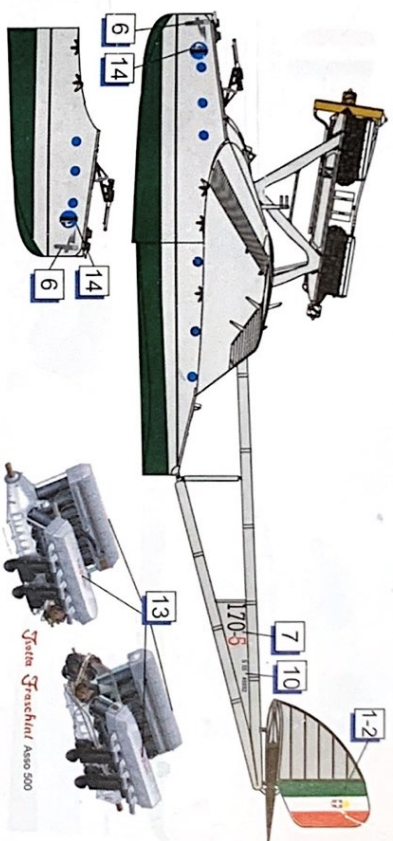
**39**







- |                   |              |
|-------------------|--------------|
| MR. COLOR         | MR. COLOR    |
| C73 aircraft grey | C43 wood     |
| MR. COLOR         | MR. COLOR    |
| C28 steel         | C2 black     |
| MR. COLOR         | MR. COLOR    |
| C6 silver         | GX 219 brass |
| MR. COLOR         | MR. COLOR    |
| C38 light grey    | C 6 green    |
|                   | glass        |



- |                   |              |
|-------------------|--------------|
| MR. COLOR         | MR. COLOR    |
| C73 aircraft grey | C43 wood     |
| MR. COLOR         | MR. COLOR    |
| C28 steel         | C2 black     |
| MR. COLOR         | MR. COLOR    |
| C6 silver         | GX 210 brass |
| MR. COLOR         | MR. COLOR    |
| C338 light grey   | C 6 green    |
|                   | glass        |