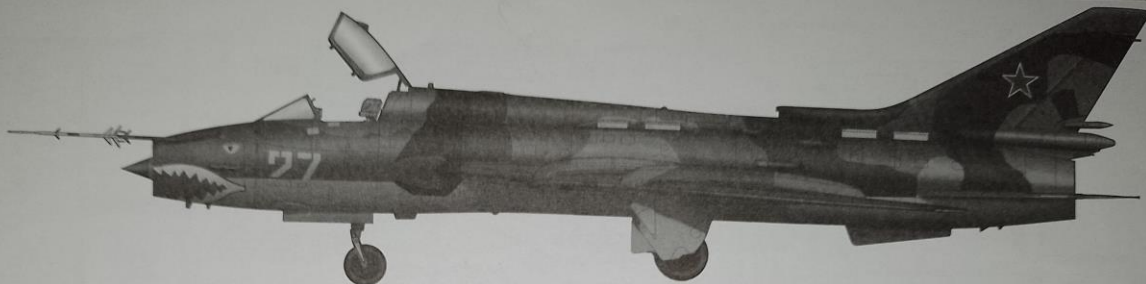


1:48 Scale

Item No.:81758



Su-17M4 Fitter-K

Su-17M4 フィッター K Su-17M4 “装配匠-K” 战斗轰炸机

PLEASE READ BEFORE OPERATION!

- * Tools recommended as below: (Not included)
Adhesives; Paints; Side Cutters; Sharp Edged Pliers; Modeling Knife; Modeling File; Nippers; Drill; Scissors; Sand Paper; Soft Cloth; Cyanoacrylate Glue.
- * Make sure to read this instruction listed below before assembling.
- * The kit contains the small parts, they can be dangerous if swallowed by mistake, so keep them away from reach of children.
- * Cut the all parts off carefully and remove the waste parts into the garbage can.
- * More caution and care should be needed for cutting and handling the photo etched parts.
- * Make attention that some parts should be attached the decal when assembled.
- * During assembling, please tear up and throw away the plastic bags, or may cause the dangerous if wearing over head by children's mistake.
- * When using the adhesives and paints, please do not use them in the closed room or near the fire, also must be very careful to protect your eyes, face and clothes.
- * Adult supervised when assembled by children under 14 years old.

装配前请仔细阅读:

- * 推荐使用的模型工具(请自备):
专用模型胶水, 专用模型油漆, 水口剪刀, 长咀钳, 刀片, 锉刀, 镊子钳, 钻, 剪刀, 软布, 砂纸, 瞬间快干胶等。
- * 用水口剪刀或刀片小心切下所有塑胶零件和蚀刻片零件, 不要遗失小零件。
- * 切取蚀刻片时应特别注意防止利边划伤手指。
- * 用模型锉刀小心锉平所有零件表面的注射浇口。
- * 用适量的强力快干胶水粘合蚀刻片零件和金属轴, 切忌过量, 否则可能导致可动零件被粘住。
- * 注意某些零件表面需在装配时同步贴水上贴纸。
- * 制作时应远离幼儿并将包装袋及时收妥, 谨防小孩玩耍而引起意外。

The method to apply the decals

1. Cut off the decal from the decal paper and put it into the warm water 40°C for 10 seconds.
2. Take the decal from the water and put it on a piece of clean cloth.
3. Remove the decal slowly from the paper to the targeted location by a wet finger.
4. Use a piece of dry and soft cloth to press it gently on the decal until it getting dry and no bubble existing.

水贴纸的使用方法:

- 一. 把相关的印花从水贴纸上剪下, 放入40°C左右的温水中浸10秒。
- 二. 然后将印花放在干净的布上。
- 三. 拿上印花纸板, 手指蘸水将印花移到适当的位置。
- 四. 用软干布轻压印花直至水干, 气泡消失。



cyanoacrylate glue
强力胶



weight
配重



make hole
钻孔



cut / remov
切除



option
选择



no cement
不涂胶水



decal
贴纸



bend
弯曲

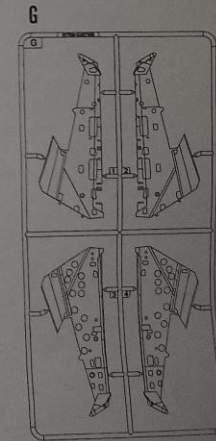
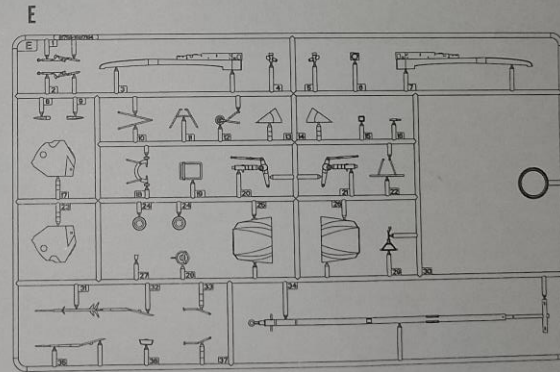
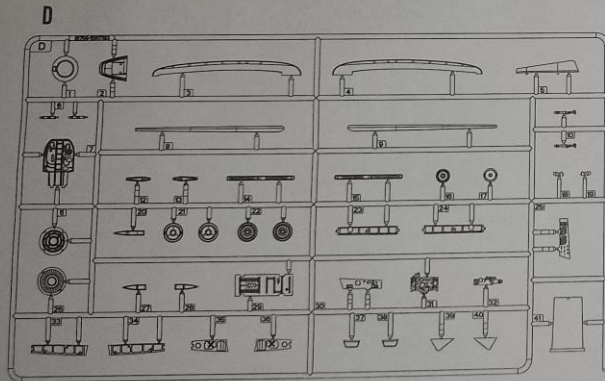
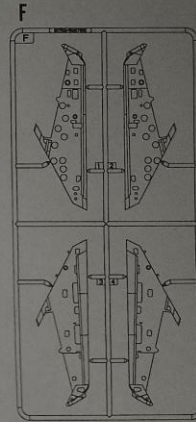
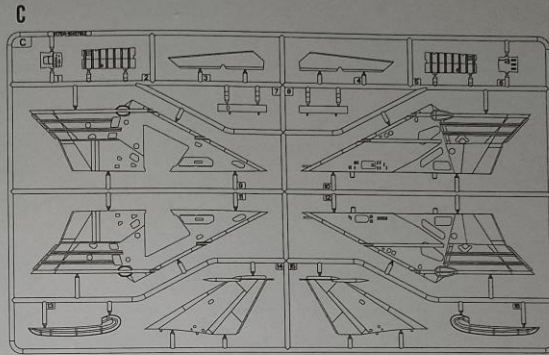
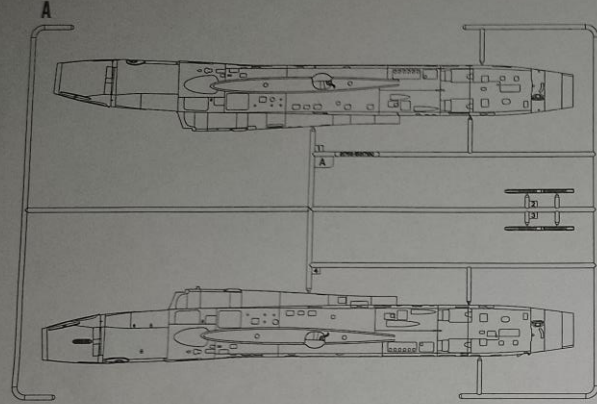


repair
填补



install it first
先装

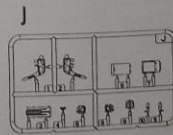
部品图 Parts

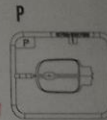
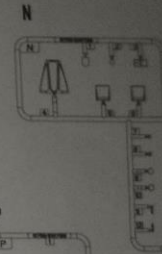
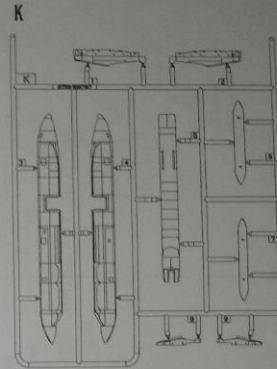
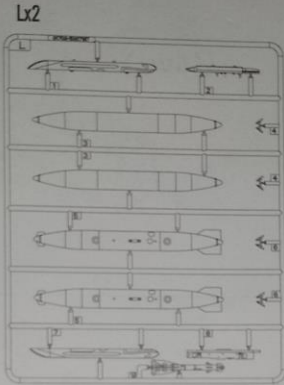
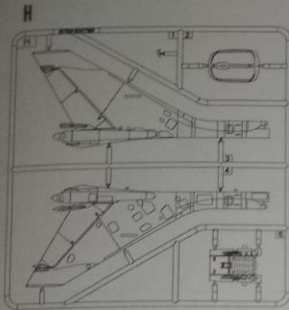


《主轮胎》x2
Main tyre

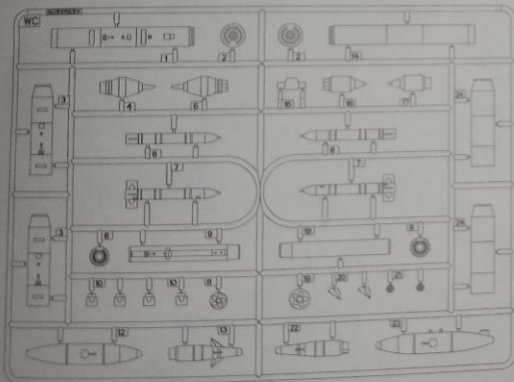


《前轮胎》
Nose tyre

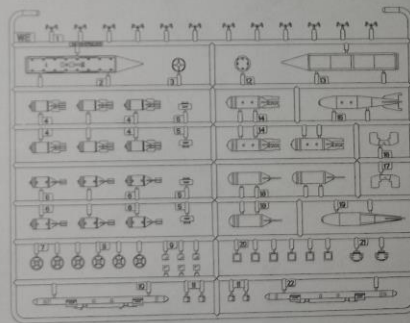




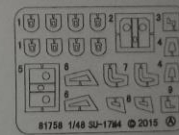
WCx2



WEx2



《蚀刻片》
Photo etched part (PE)



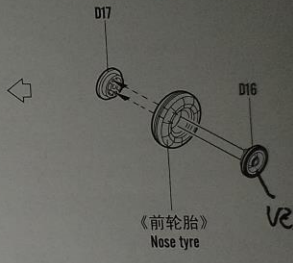
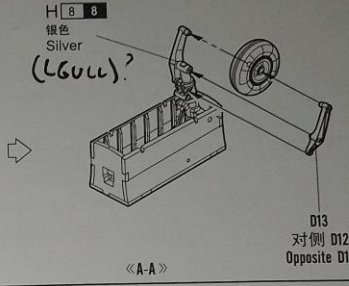
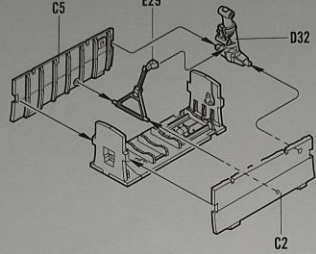
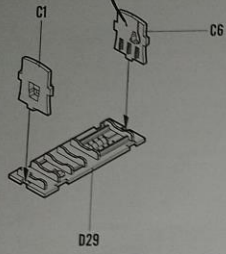
《水贴》
Decal



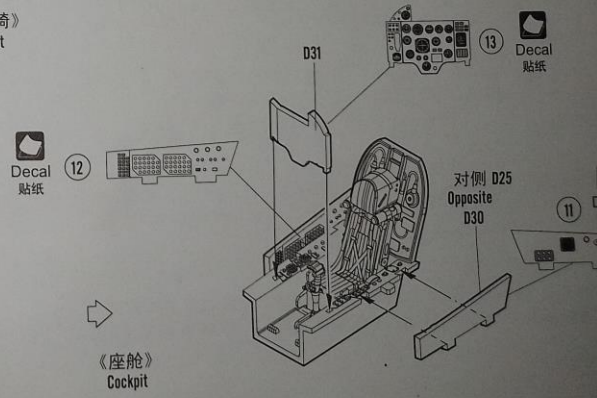
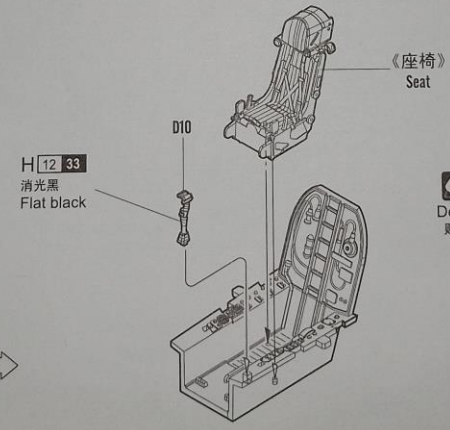
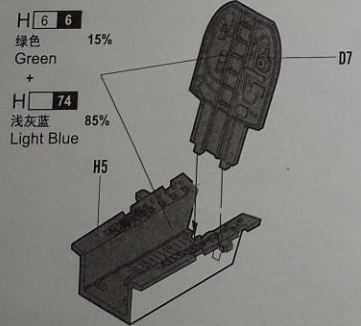
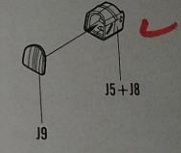
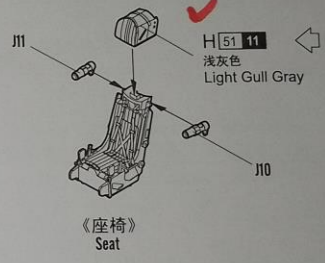
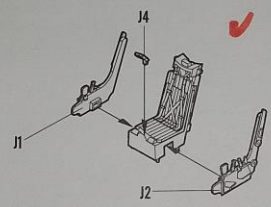
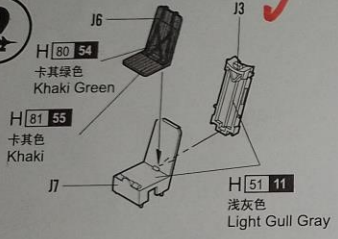
不用部件: WC4 WC5 WC7 WC9 WC12 WC13 WC15 WC16 WC17 WC18 WC20
Unused parts WC22 WC23 WE2 WE12 WE13 WE16 WE17 K3 K4 K5 N3 N5 N6 PE-A2

1 STEP

RLM 96



2 STEP



2
STEP

《尾喷管》
Tail spout

《尾喷管》
Tail spout

《座舱》
Cockpit

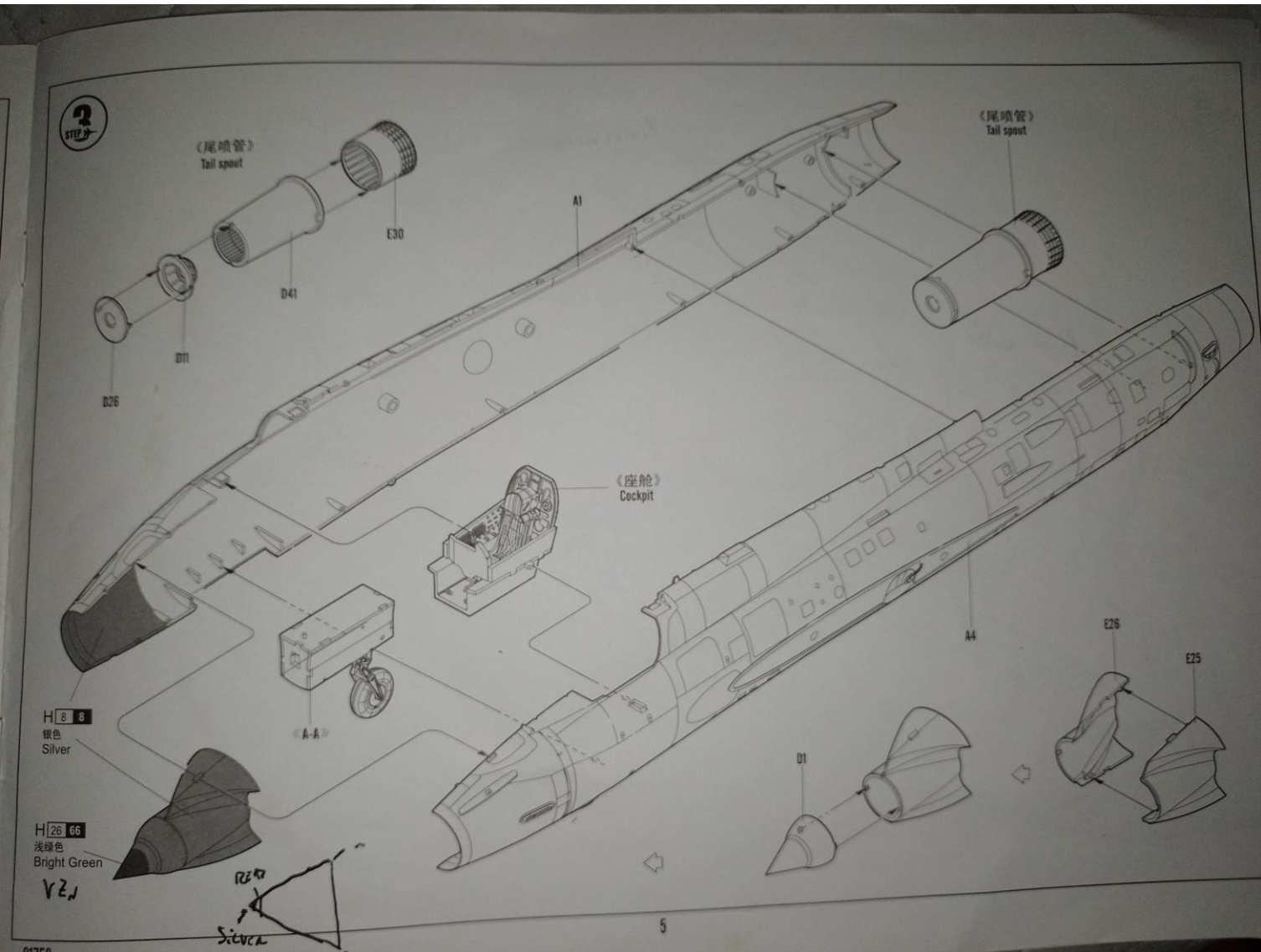
H 8 8
银色
Silver

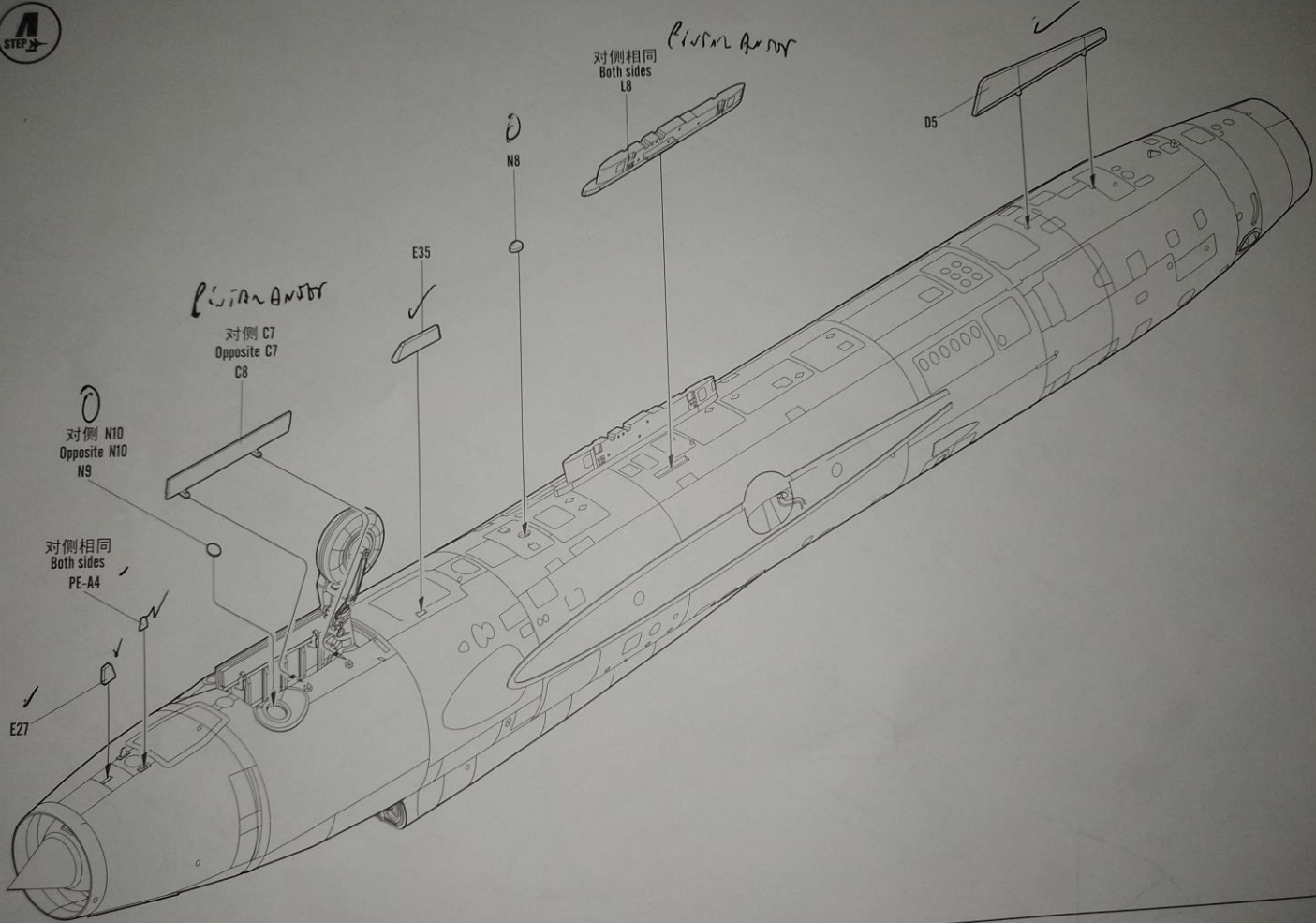
H 26 66
浅绿色
Bright Green

VZ

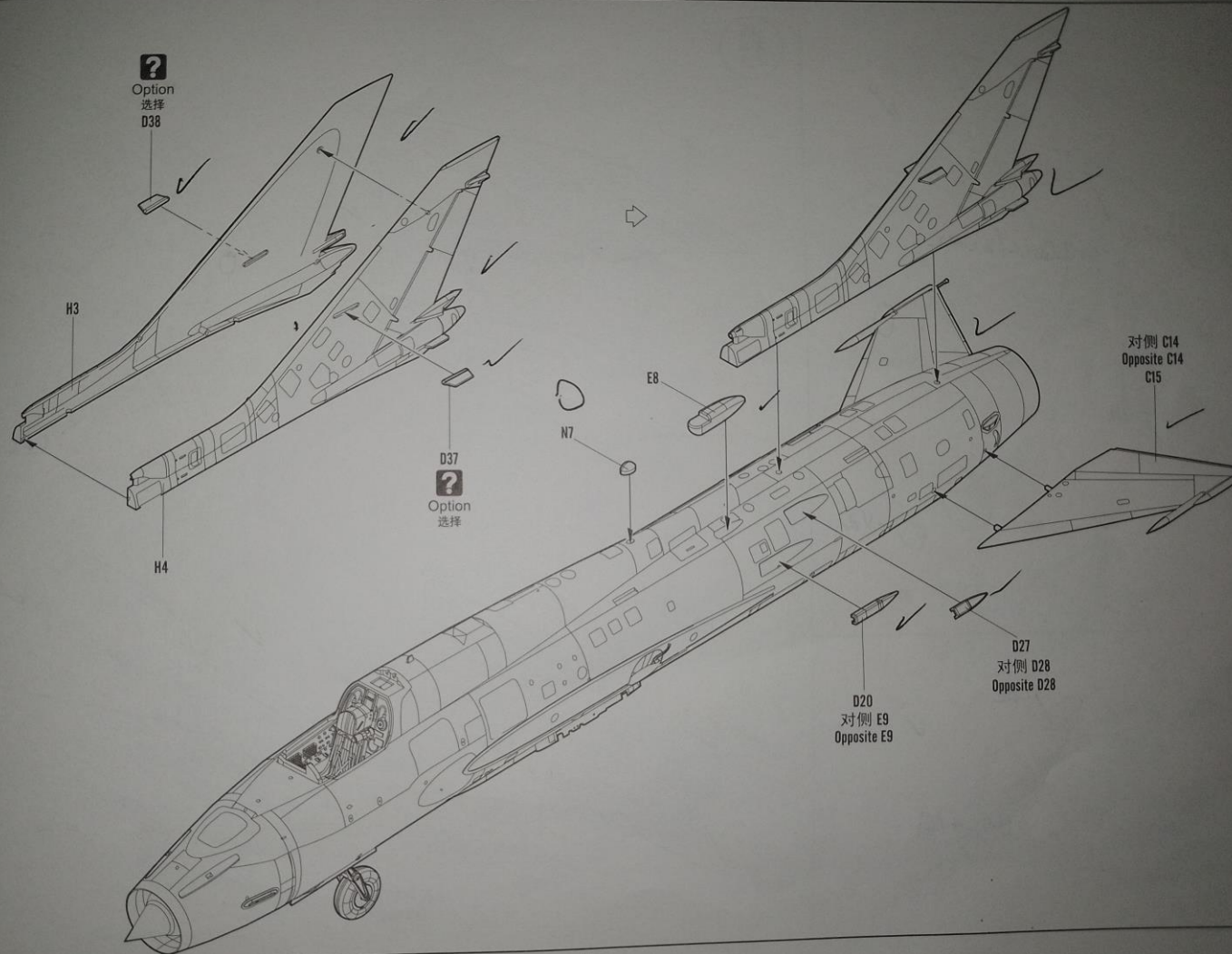
Silver

5

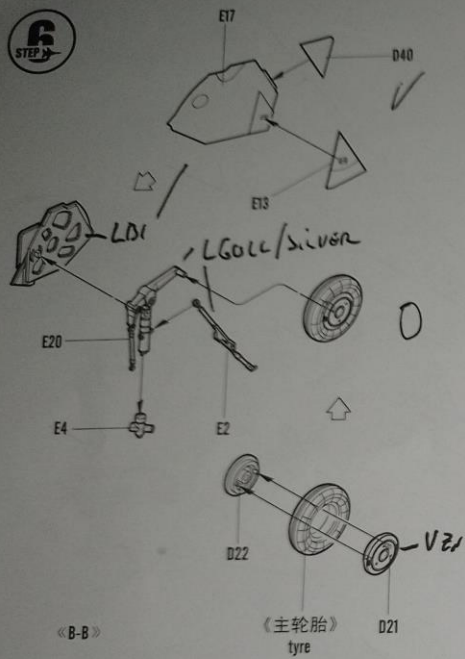




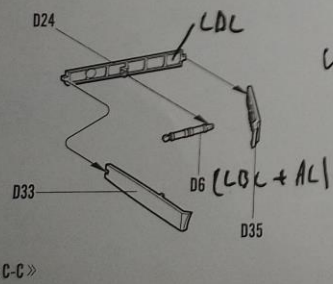
5



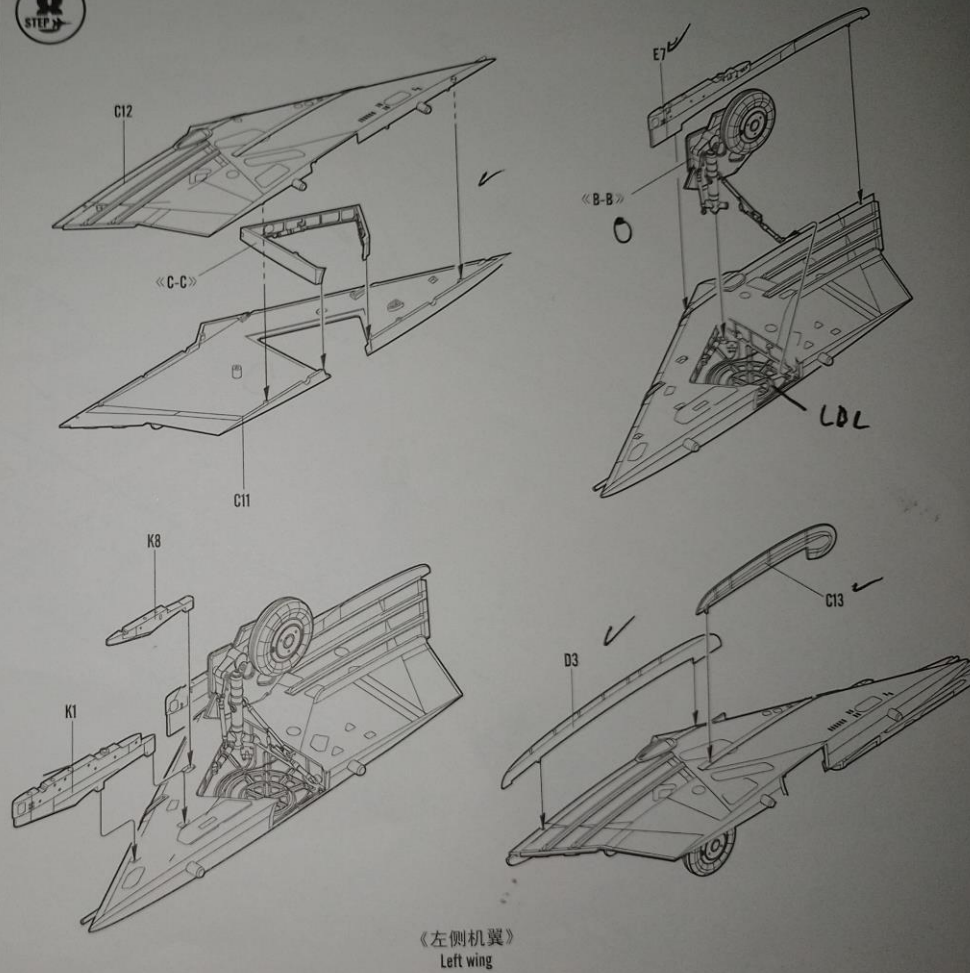
6
STEP



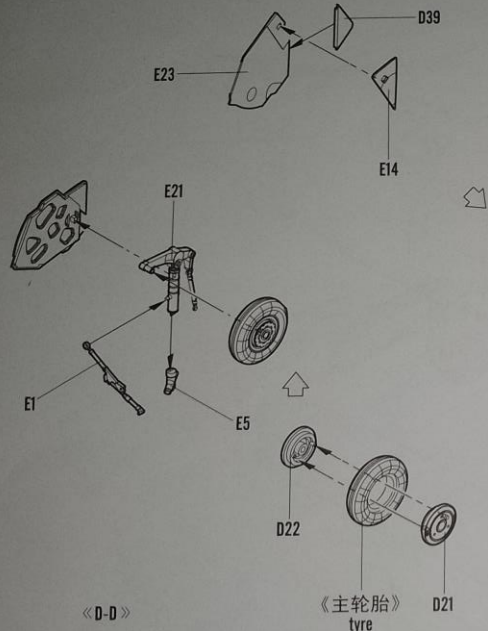
7
STEP



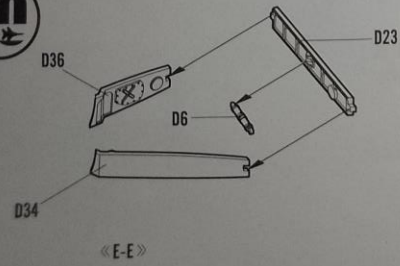
8
STEP



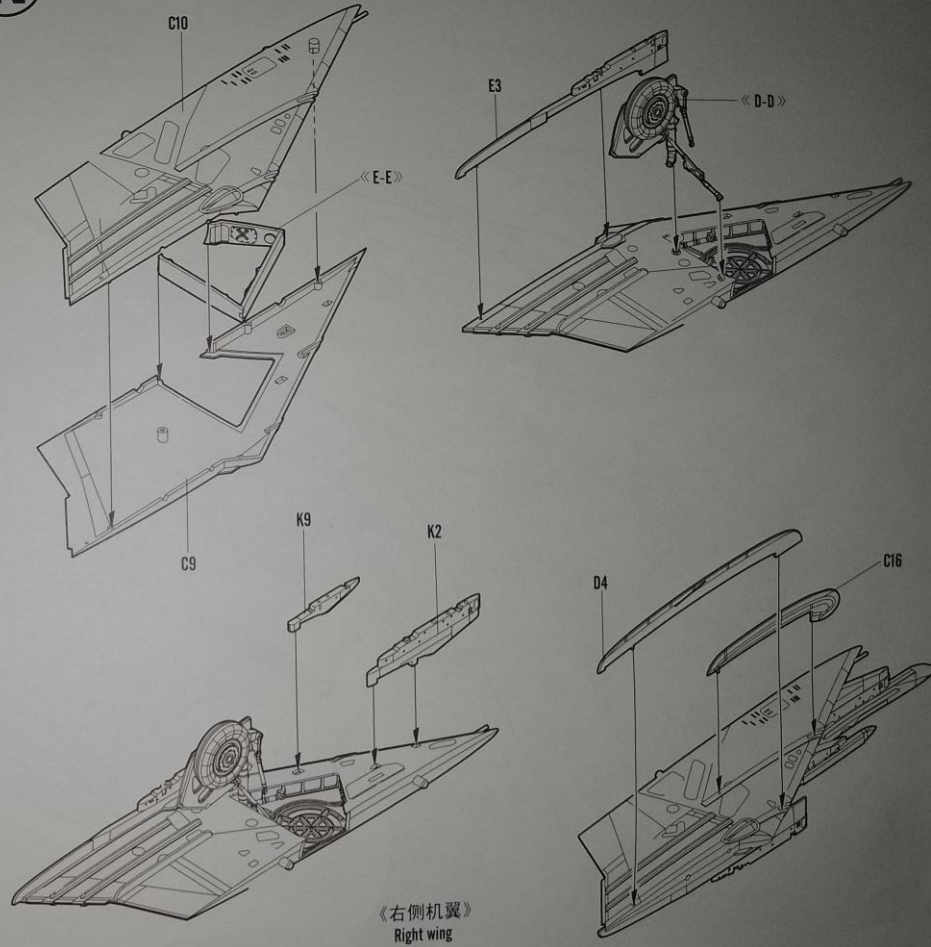
9
STEP



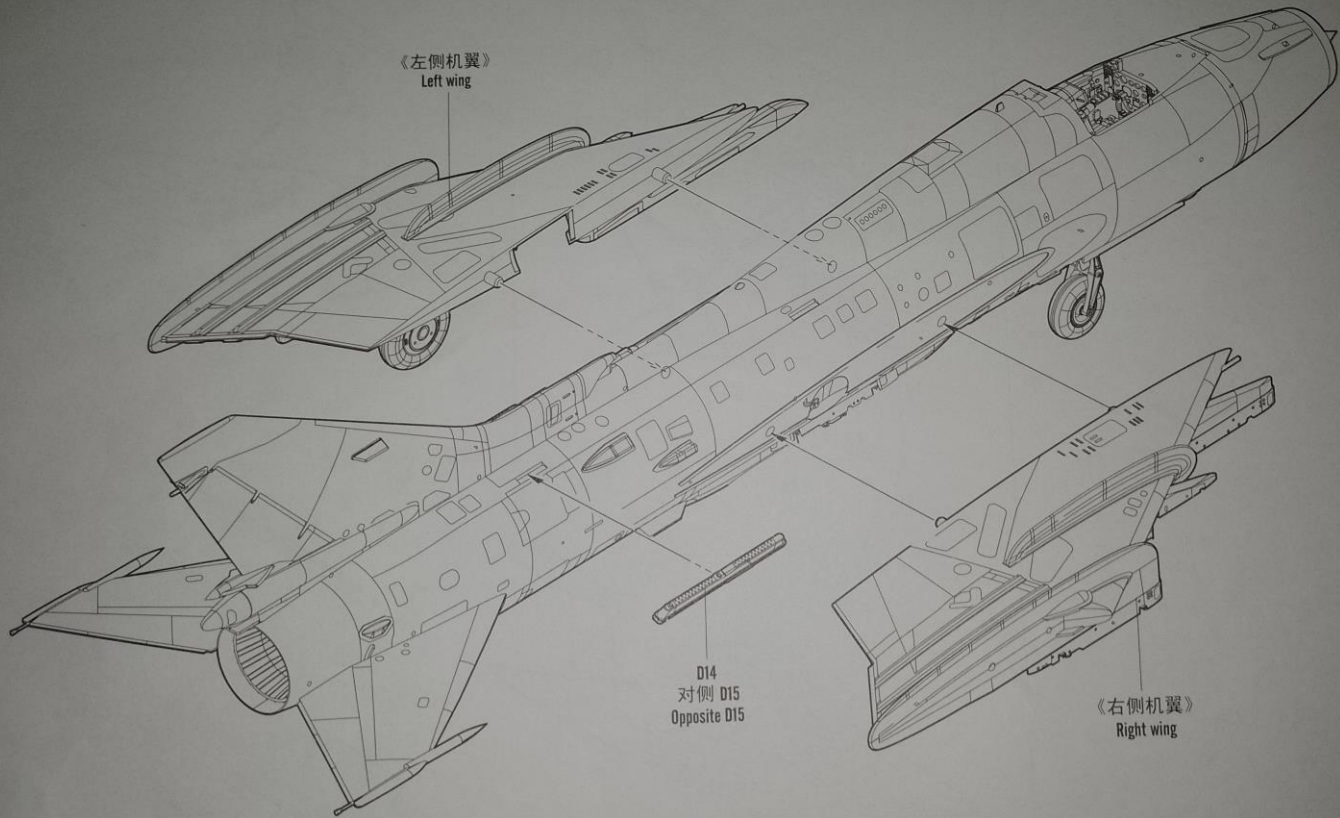
10
STEP



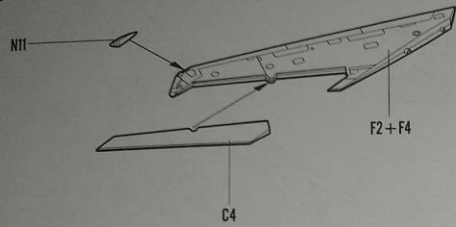
11
STEP



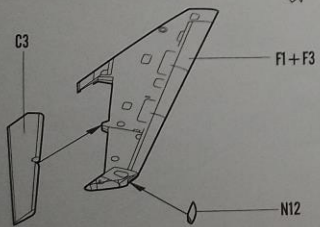
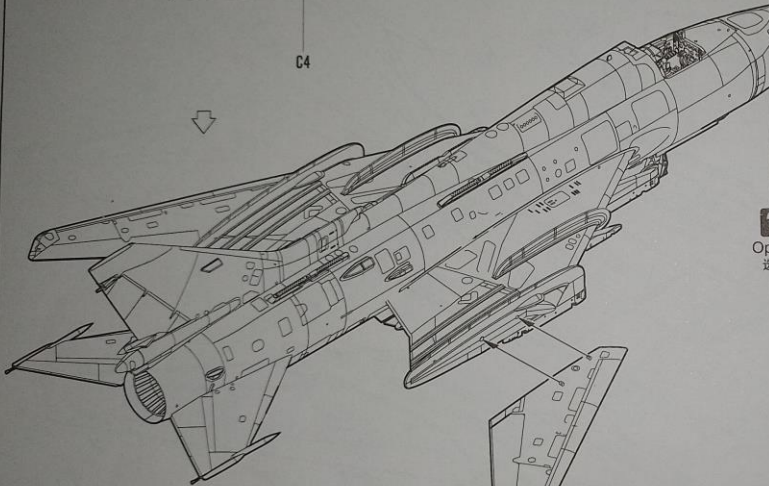
12
STEP



12
STEP

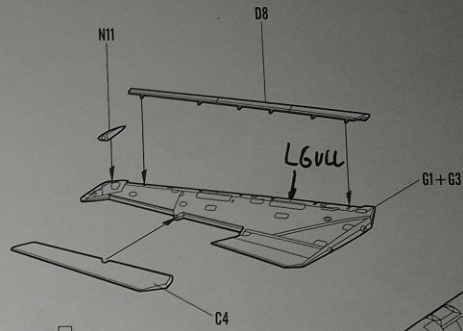


折叠状态
Folding

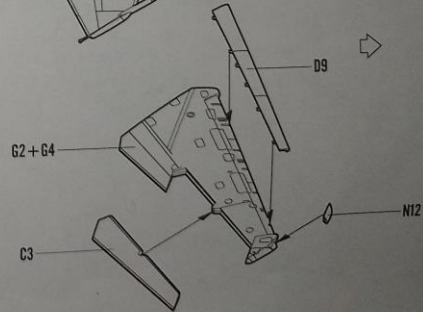
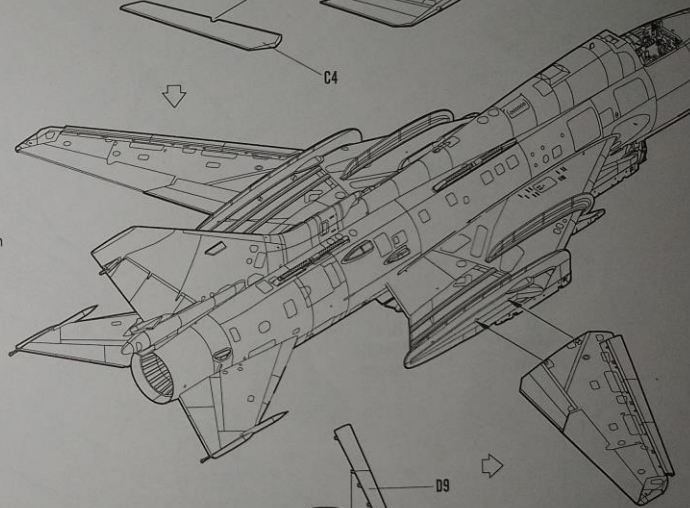


14
STEP

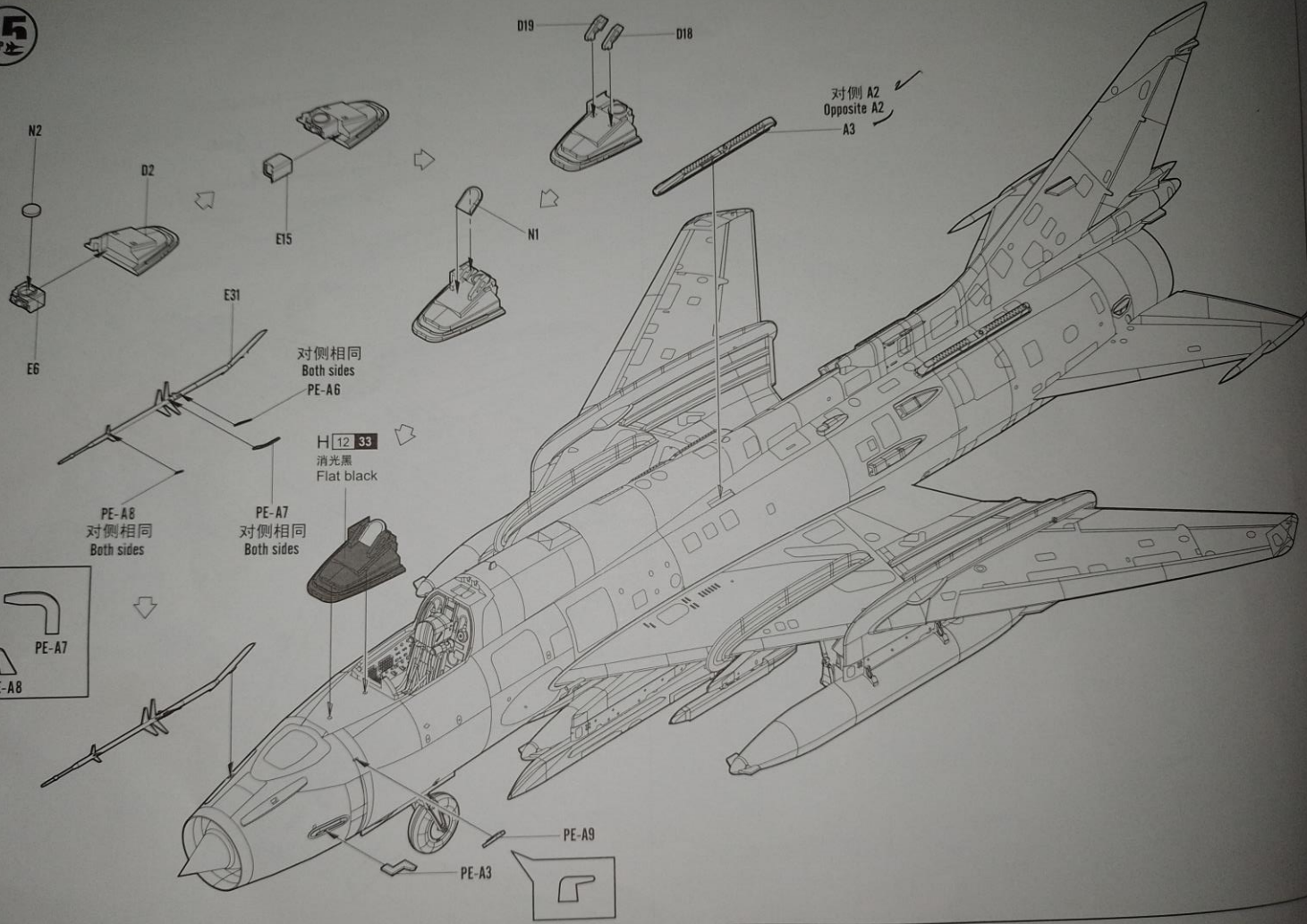
展开状态
Open



?
Option
选择



15
STEP



16
STEP

对侧相同
Both sides
E24



E22



E12

E11

E10

E18

对侧 E32
Opposite E32
E36

E28

E19

E33



Option
选择
打开状态
Open

E16

打开状态
Open

N4

E34



H1

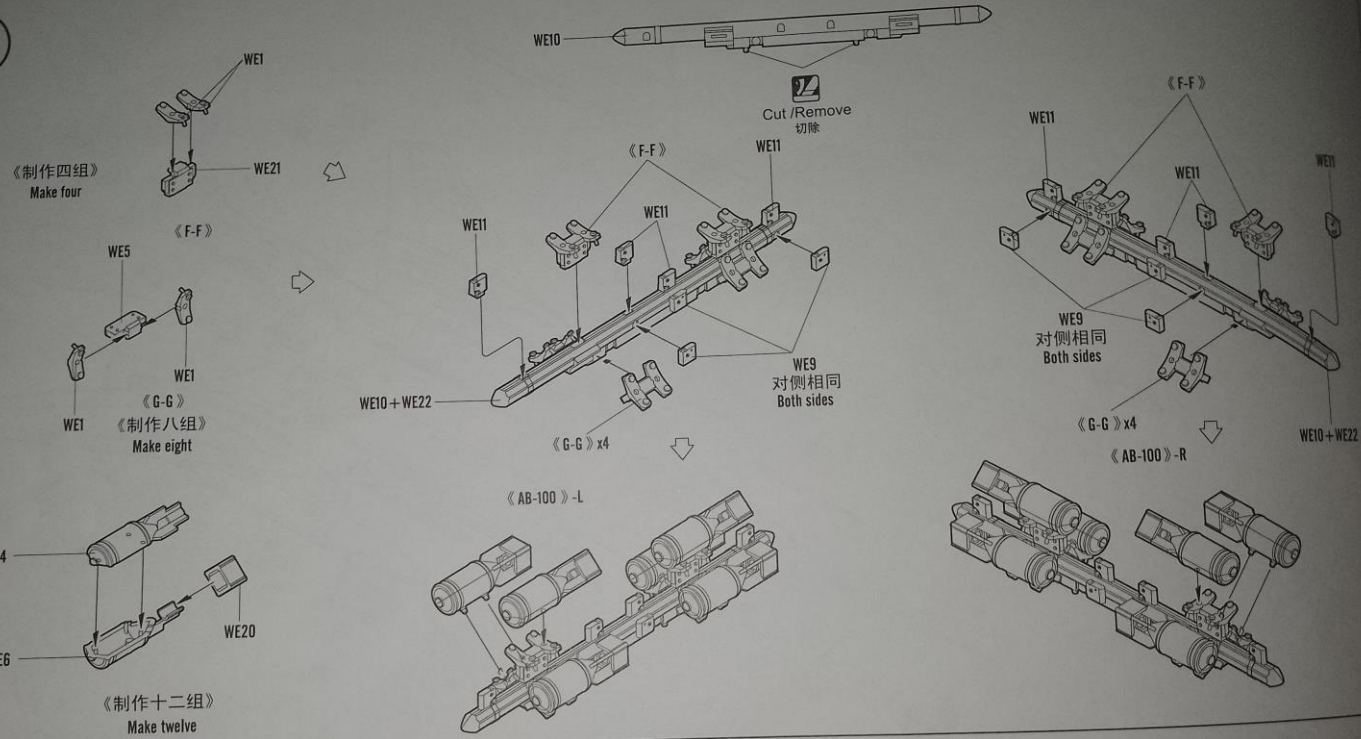
PE-A1x4

PE-A5

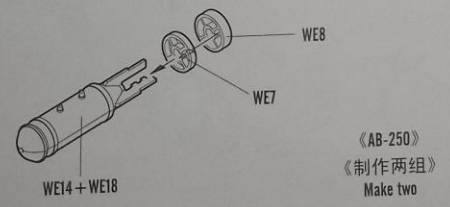
H2

P1

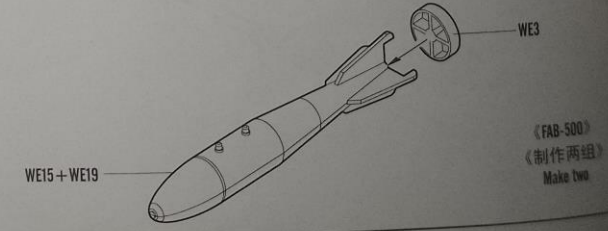
17
STEP



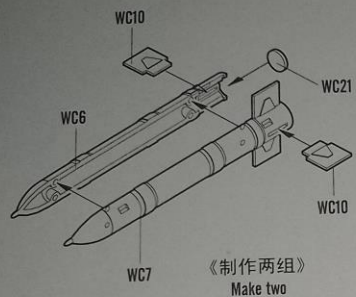
18
STEP



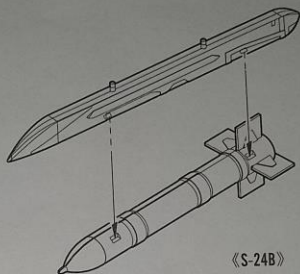
19
STEP



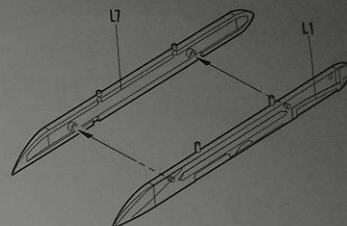
20
STEP



《制作两组》
Make two

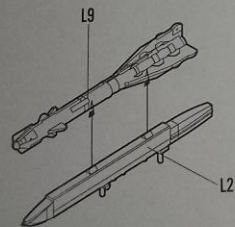


《S-24B》
《制作两组》
Make two



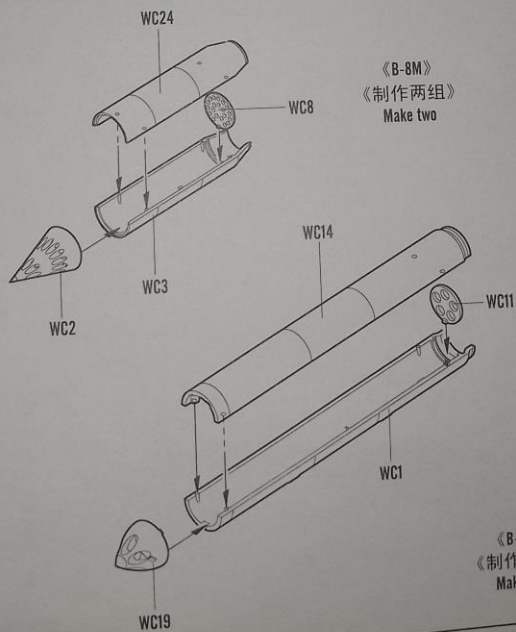
《制作两组》
Make two

21
STEP



《R-60MK》
《制作两组》
Make two

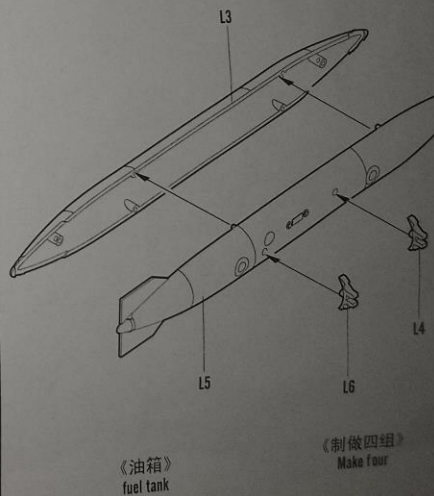
22
STEP



《B-8M》
《制作两组》
Make two

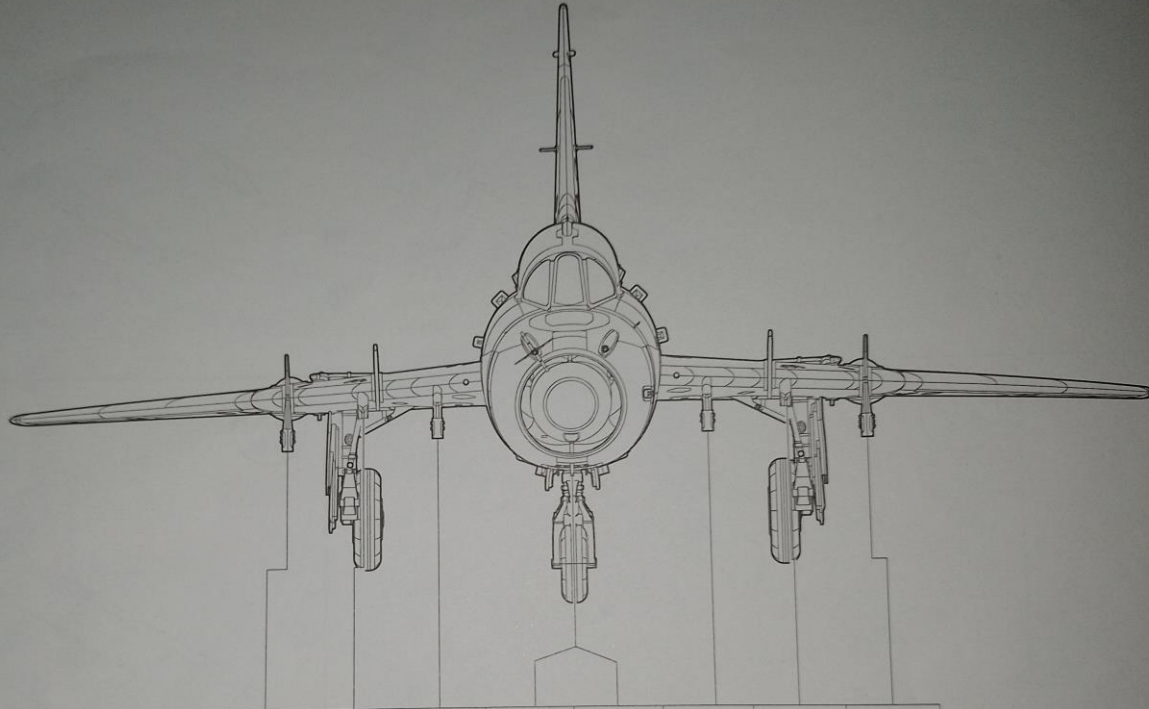
《B-13L》
《制作两组》
Make two

23
STEP



《油箱》
fuel tank

《制做四组》
Make four



Sta . No.	1	2	3	4	5	6	7	8
Missile/Tank								
A-B100	●		●			●		●
A-B250	●	●	●			●	●	●
FA-B500	●	●	●			●	●	●
S-24B	●		●			●		●
B-8M	●	●	●			●	●	●
B-13L	●	●	●			●	●	●
R-GOMK		●					●	
FUEL TANK	●			●	●			●

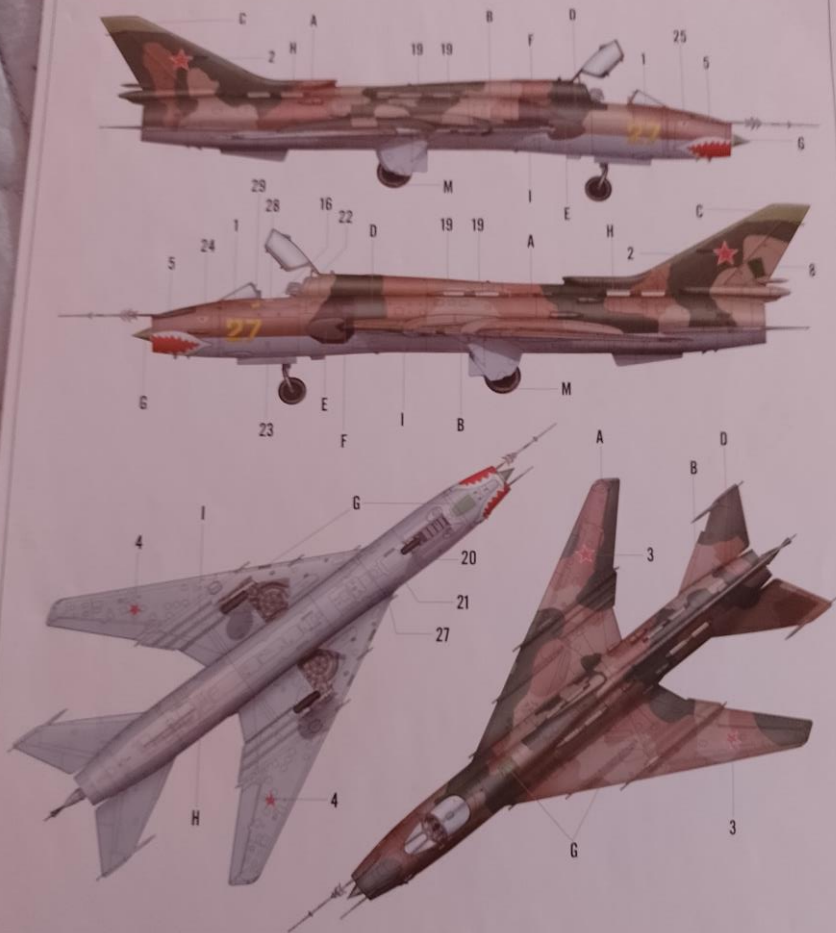
标贴与涂装
MARKING & PAINTING

Su-17M4 Fitter-K

Su-17M4 ファイター-K Su-17M4 "装配匠-K" 战斗轰炸机



I Su-17M4, Yellow '27', 20th GvAPIB, Templin (Gross Dölln) Air Base, April 5, 1994



Color	Mr.Hobby	Vallejo	Model Master	Tamiya	Humbrol	Color	Mr.Hobby	Vallejo	Model Master	Tamiya	Humbrol
A 红棕色 Red Brown	H 41 41	934	--	X27	--	D 橄榄色 Olive Drab	H 60 304	887	1711	XF62	155
B 深土色 Dark Earth	H 73 22	873	1702	XF52	29	E 锈铁色 Burnt Iron	H 76 01	863	1795	X10	53
C 绿色 Dark Green	H 30 302	895	1764	XF96	149	F 消光黑 Flat Black	H 33 33	950	1749	XF1	33

※ Some paints may not be available in your country. Please check your local hobby shop for substitute.

NO.81758

标贴与涂装
MARKING & PAINTING Su-17M4 フィッター-K Su-17M4 "装配匠-K" 战斗轰炸机

II Su-17M4R, 886th ORAP, Bagram Air Base, Afghanistan, December, 1998

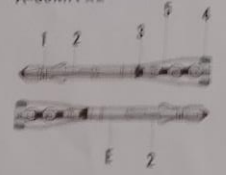


Color	Mr.Hobby	Vallejo	Model Master	Tamiya	Humbrol
J 绿色 Green	H123 68	906	—	X721	27
G 亮绿色 Bright Green	H123 68	906	—	X721	27
H 银色 Silver	H123 8	997	1546	X11	11
I 浅灰蓝 Gray Blue	H123 337	—	1721	X720	145
K 深绿色 Dark Green	H123 69	885	—	X721	30
L 黄褐色 Tan	H123 44	881	—	—	8
M 铁黑色 Iron Black	H123 63	—	—	—	—

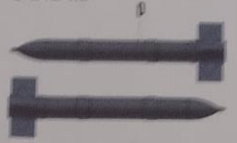
MARKING & PAINTING Su-17M4 フィッター-K Su-17M4 "装配匠-K" 战斗轰炸机



R-60MK x2



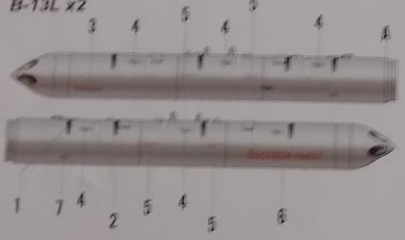
S-24B x2



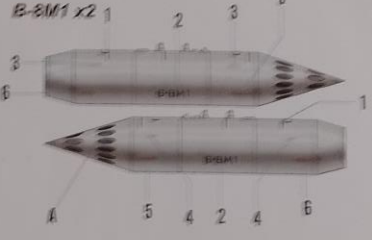
FAB-500 x2



B-13L x2



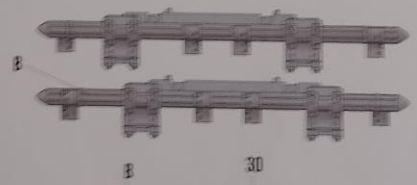
B-2M1 x2



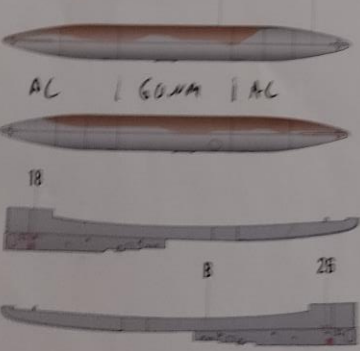
AB-100 x12



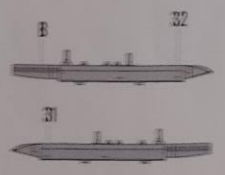
AB-250 x2



FUEL TANK x4



AL 160MM 1AC



Color	Microhobby	Vallejo	Worold Master	Tamiya	Humbrol	Color	Microhobby	Vallejo	Worold Master	Tamiya	Humbrol		
A	银色 Silver	H[12] 0	997	1546	011	01	C	深土色 Dark Earth	H[12] 22	872	1702	XFS2	29
B	浅灰色 Sea Grey	H[12] 237	-	1721	X120	145	D	深土色 Dark Earth	H[12] 22	872	1725	X120	-
						E	白色 White	H[12] 214	999	1745	40	20	