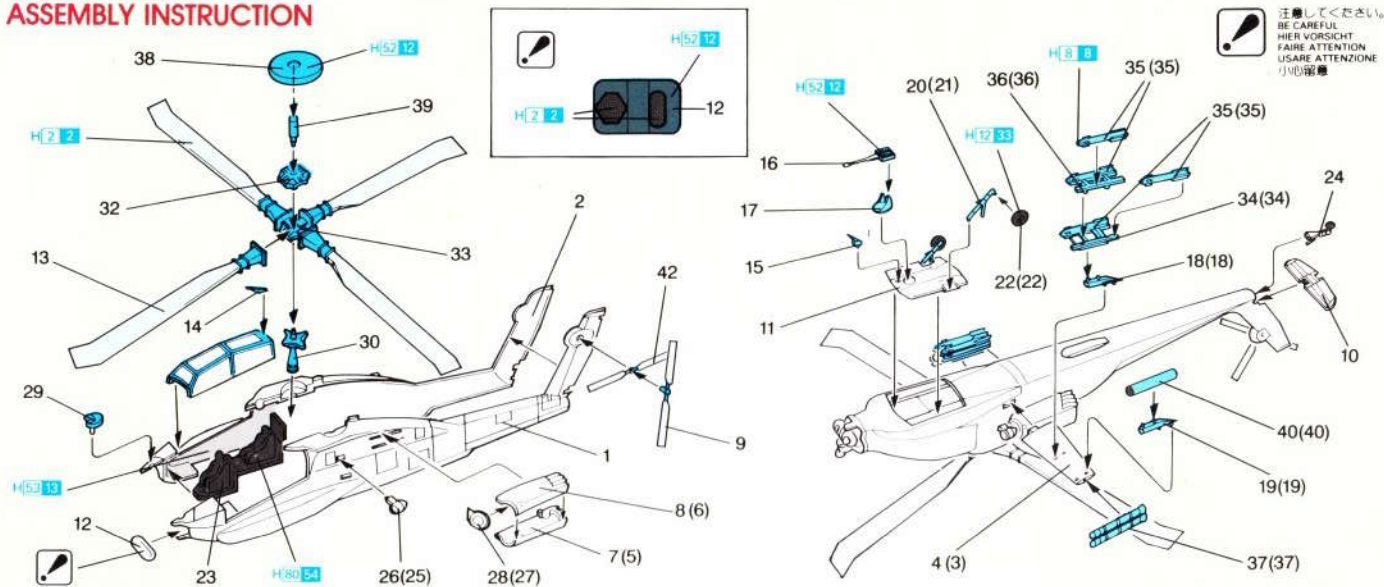


AH-64B

AH-64B '长弓阿帕奇' 攻击直升机

ASSEMBLY INSTRUCTION



注意してください。
BE CAREFUL!
HIER VORSICHT!
FAIRE ATTENTION!
USARE ATTENZIONE!
小心留意!

MARKING AND PAINTING

H/1: GUNZE SANGYO AQUEOUS HOBBY COLOR H/2: GUNZE SANGYO MR COLOR

H/2	23	BLACK
H/26	21	BURN'T IRON
H/8	9	SILVER
H/9	9	GOLD
H/10	24	KHAKI GREEN

H/12	33	FLAT BLACK
H/12	28	STEEL
H/52	12	OLIVE DRAB (1)
H/53	13	NEUTRAL GRAY

■ Correct Method for Applying Decals

- ① Clean model surface with wet cloth.
- ② Cut each design out of decal sheet and dip them in warm water for 20 seconds.
- ③ Check with finger tip if design is loose on base paper. If so, place it on proper position on model and slide off base paper leaving design on model.
- ④ Move design to exact position with wet finger tip, and push out excess water and air bubbles under decal with soft cotton cloth.
- ⑤ When decals get dry, wipe off with wet cloth excess glue left around decals.

