

# Mittlere Artillerie Raketen System (MARS)

## M270/A1多管火箭系统-德国

### READ BEFORE ASSEMBLY:

- Study and understand these instructions thoroughly before beginning assembly
- When needed, remove photo-etch parts carefully using a modeling knife or photo etch sprue cutter, being careful not to damage or lose small parts.
- Take extra care in handling photo etch parts in order to avoid injury
- Apply instant cement sparingly to photo etch parts where instructed
- Tools recommended(not included in kit):Plastic and instant cements, sprue cutters,long nose pliers,modeling knife, small files, tweezers, pin vise & scissors. Soft cloth and sandpaper will also assist in construction
- Glue and paint are not included in the kit. Use plastic cement and hobby paints only. Color guide for purchasing paint is included in the kit.

### 装配之前仔细阅读

- 小心用模型锉刀锉平所有零件表面的注射浇口。
- 小心用刀片切下蚀刻片零件，不要遗失小零件。
- 用强力快干胶水粘合蚀刻片零件和金属轴。过量快干胶水使用可能导致可动零件会粘住，小心涂胶。
- 取蚀刻片时应特别注意安全，防止利边划伤手指。
- 某些零件表面需贴上水贴纸，请选择在装配的同时进行。
- 推荐模型工具(自备)：胶水，水口剪刀，长咀钳，刀片，锉刀，镊子，钳，钻，剪刀，瞬间快干胶。
- 软布同砂纸同时也应该是必备工具。
- 请使用塑料胶水和油漆，模型内不含。



配重  
Weight



使用强力胶  
Cyanoacrylate glue



钻孔  
Make hole



切除  
Cut / Remove



贴纸  
Decal



锉平  
File / Sand



选择  
Option



不涂胶水  
No cement



弯曲  
Bend



先装  
Install it first

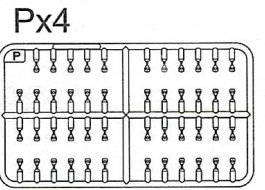
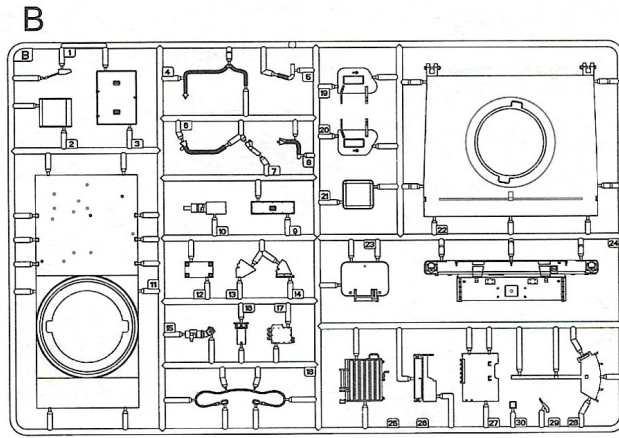
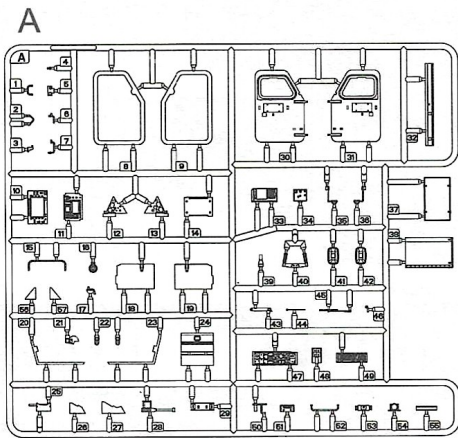
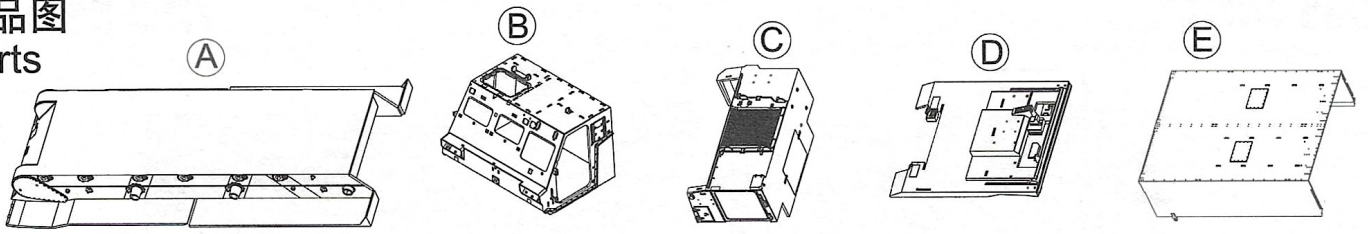
### 水贴纸的使用:

- 1.从水贴上剪下印花;
- 2.将印花放入温水中浸10秒，然后放在干净布上。
- 3.拿着印花纸板将印花移到模型上;
- 4.手指蘸水将印花移到适当的位置;
- 5.用软布轻压印花直至水干，气泡消失

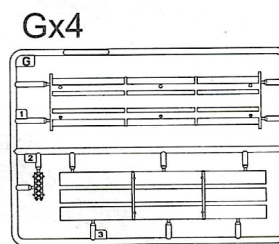
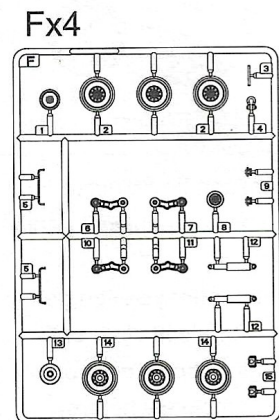
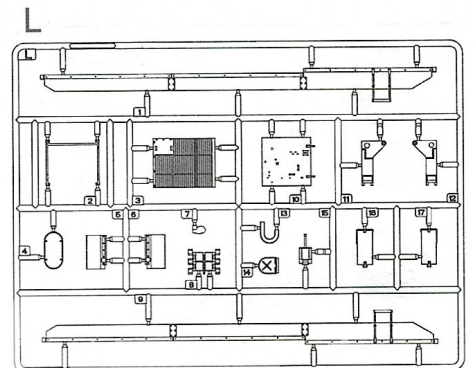
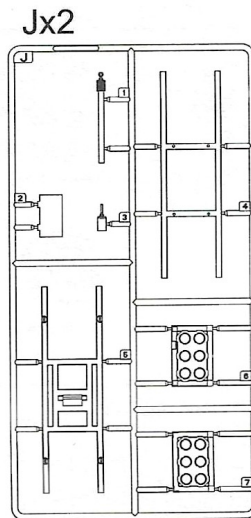
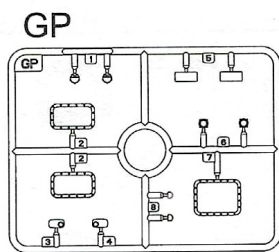
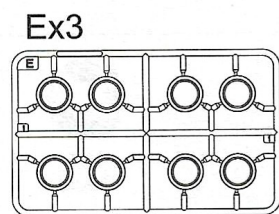
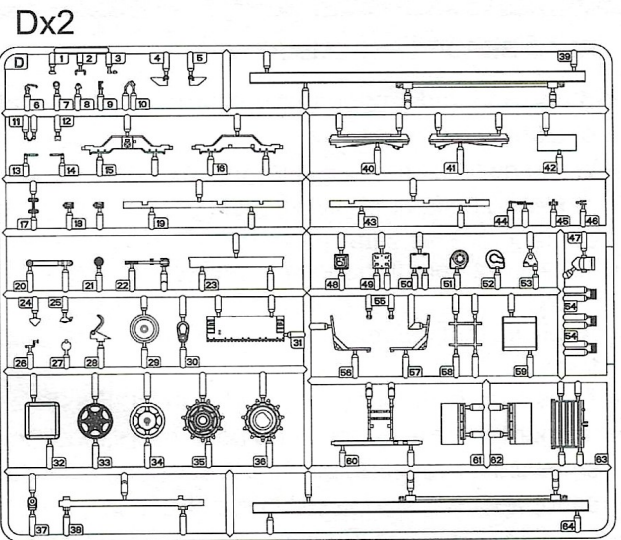
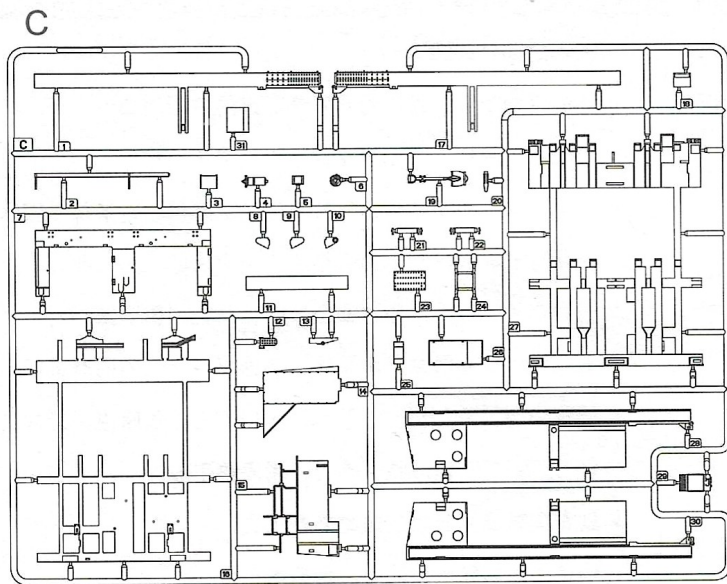
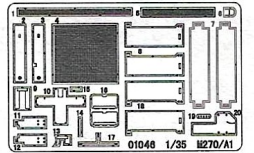
### DECAL APPLICATION

- 1.Cut decals from sheet as needed
- 2.Dip the decal in warm water for about 10 seconds and then place on soft clean cloth.
- 3.Hold the decal backing sheet edge and gently slide the decal onto the model in its proper position.
- 4.While still wet,decal can be adjusted for better fit on model by dampening it gently with your finger.
- 5.When placed in the proper position,gently press decal down with a soft cloth until excess water and air bubbles are gone.
- 6.Allow decal to dry completely before handling model

部品图  
Parts



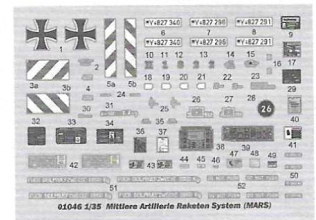
《蚀刻片》  
PE

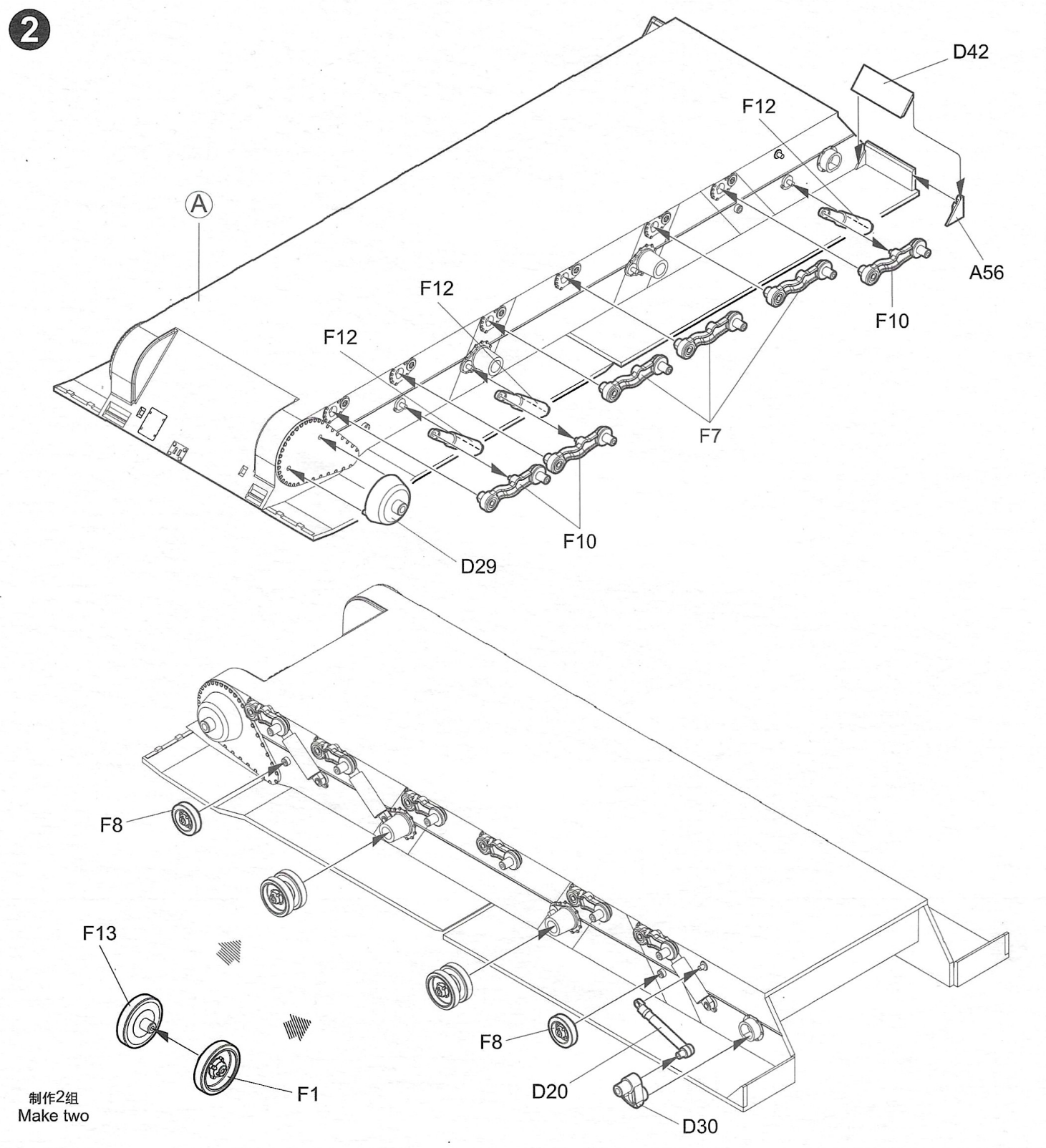
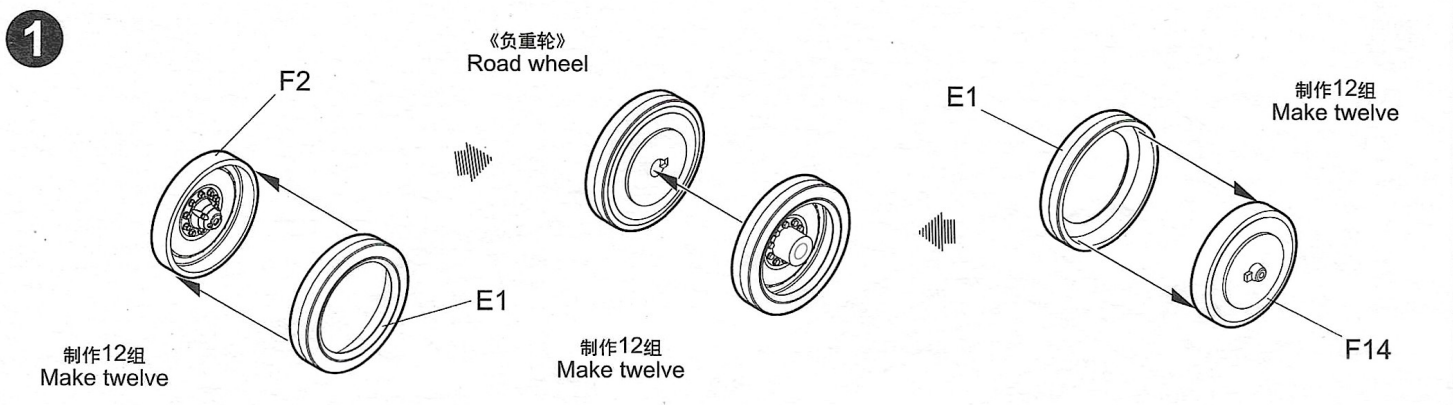


《履带版》x92  
Track

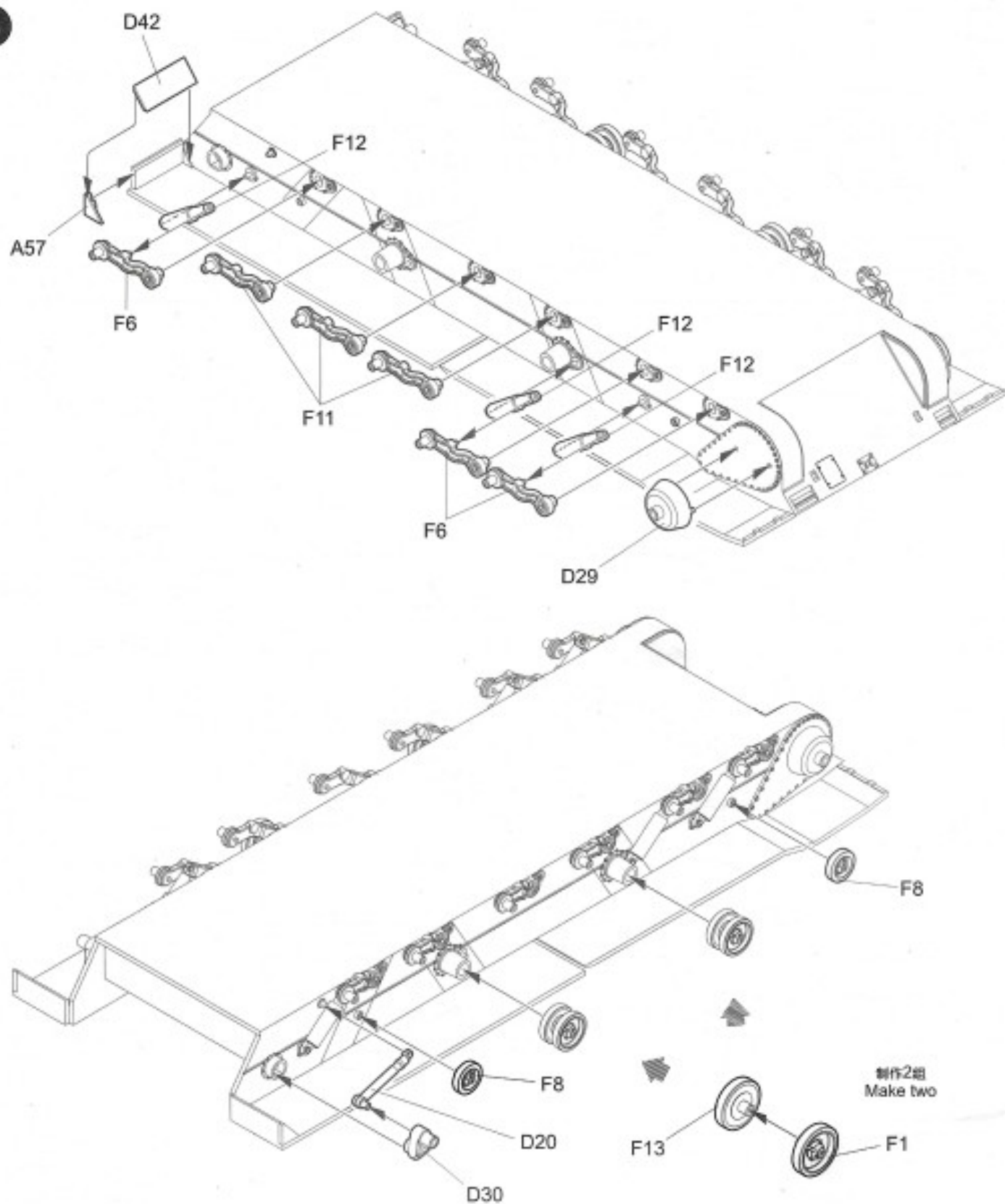
《不锈钢管》x2  
Metal tube  
Ø 3.2xØ 2.9x42mm

《水贴》  
Decal

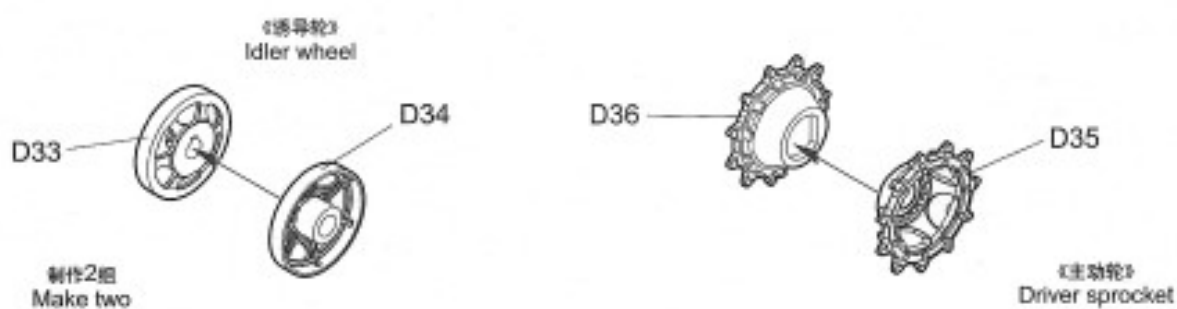




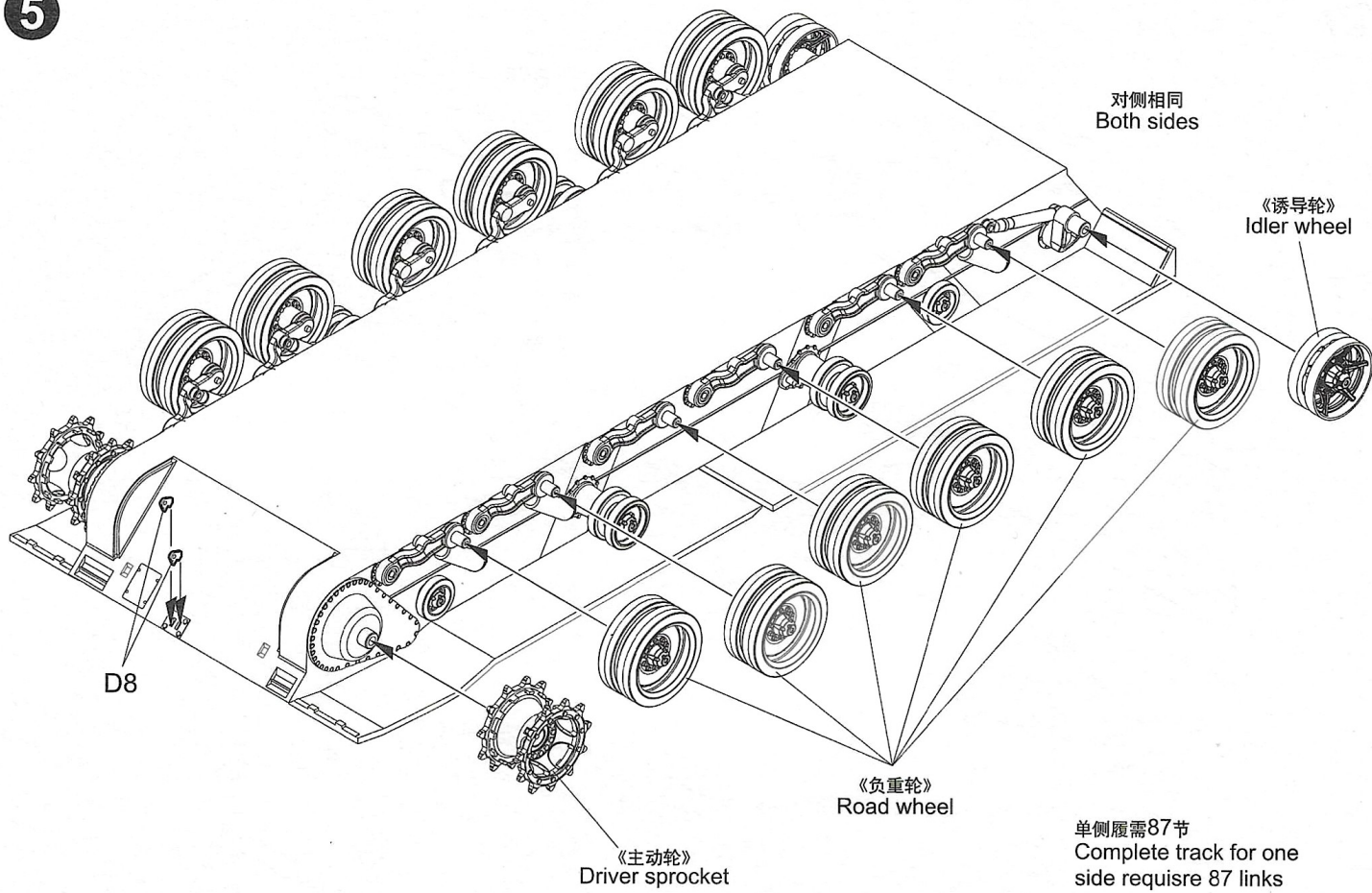
3



4

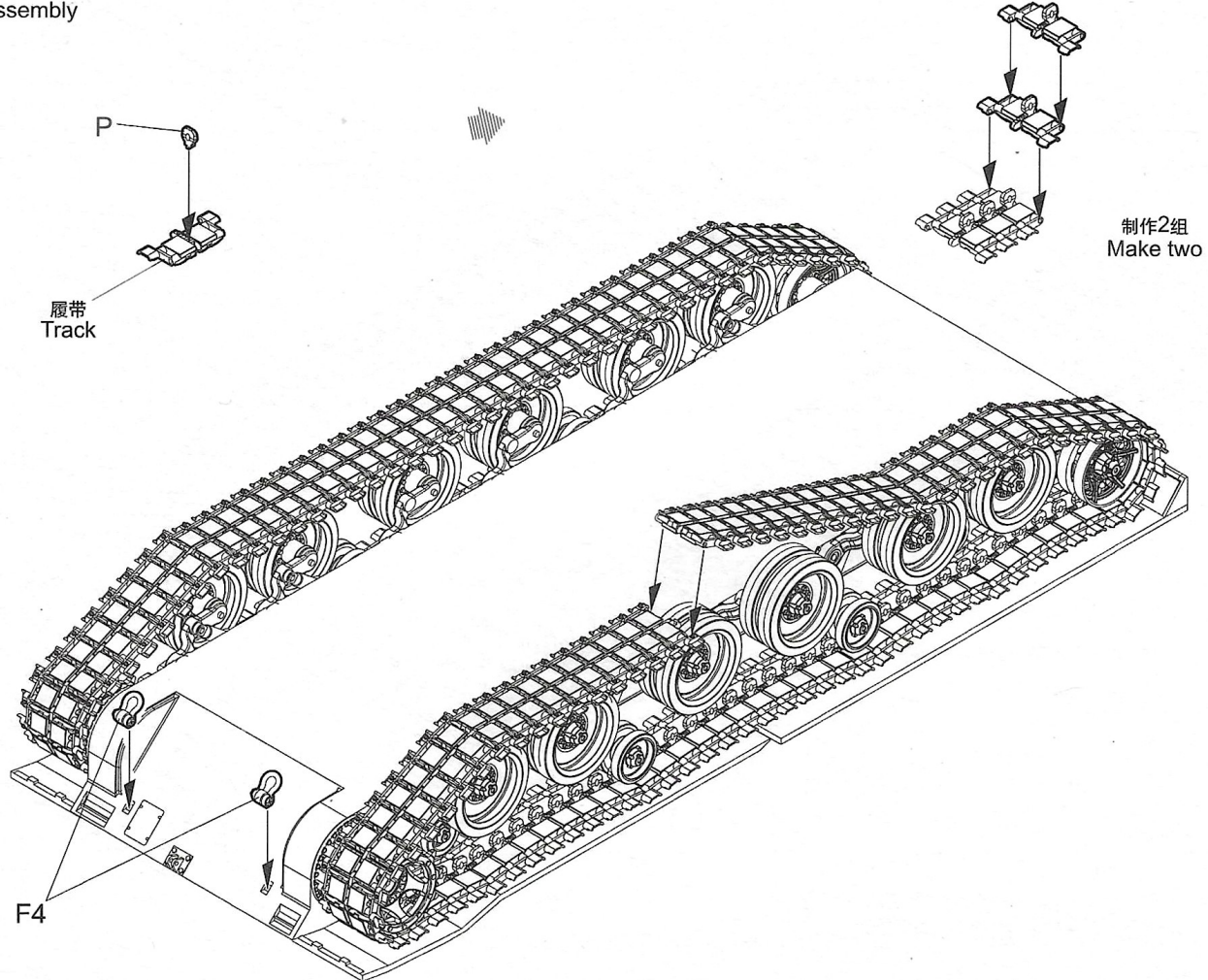


5

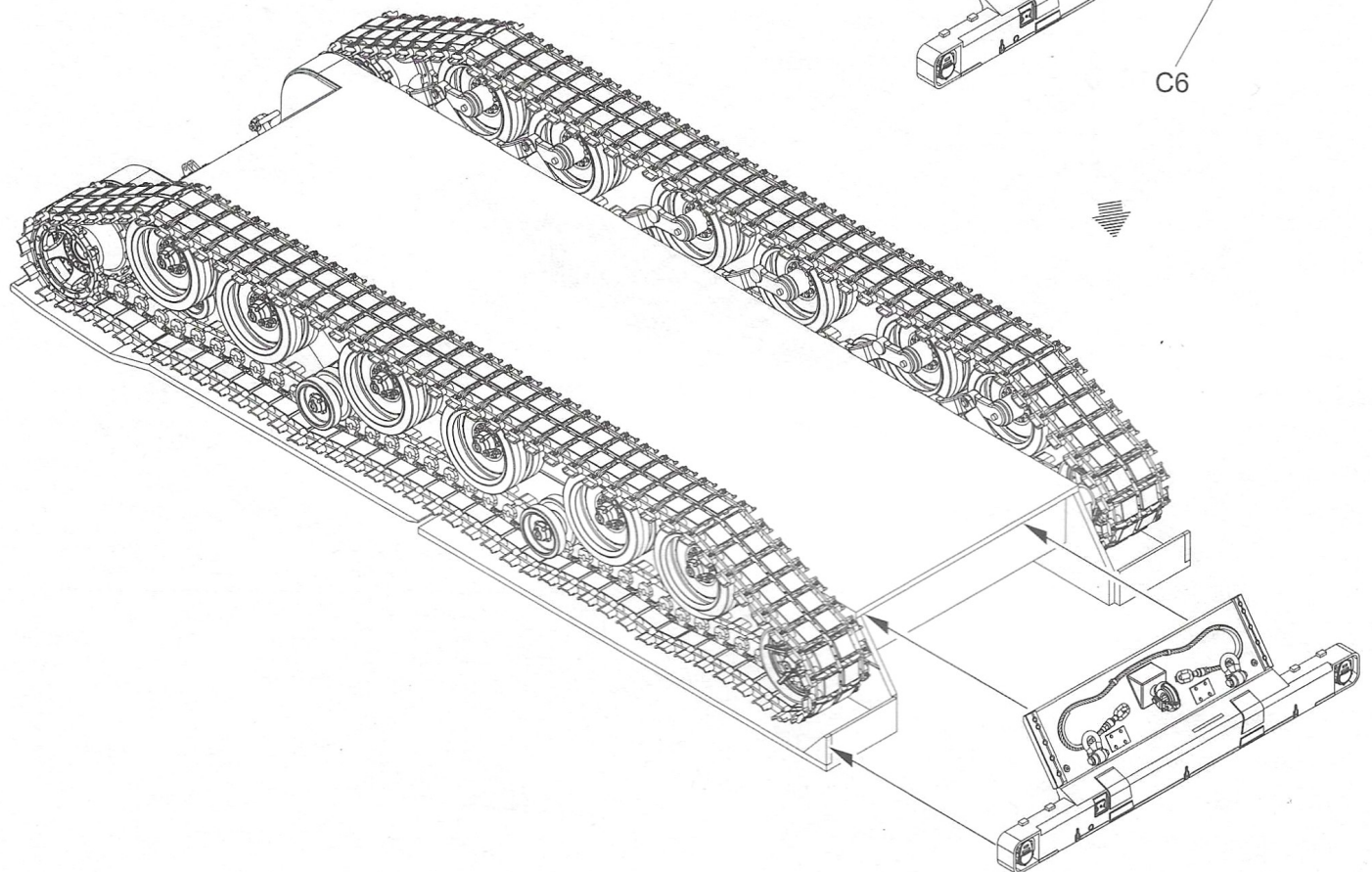
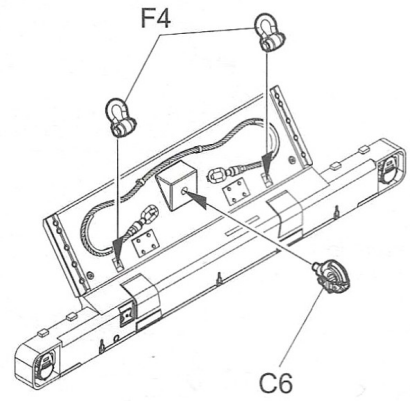
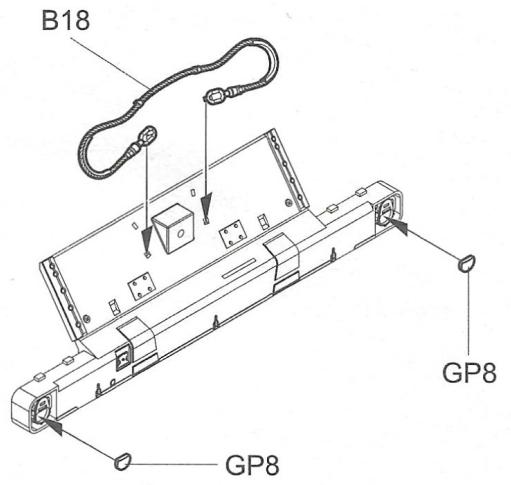
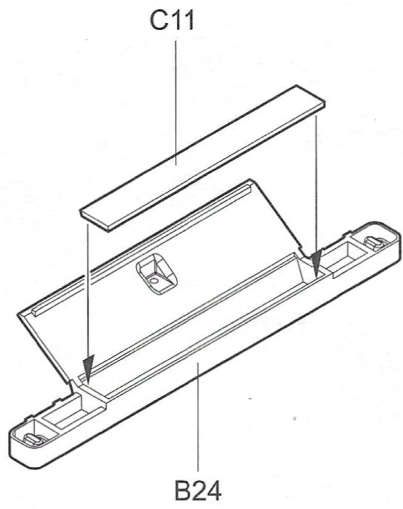


单侧履需87节  
Complete track for one  
side require 87 links

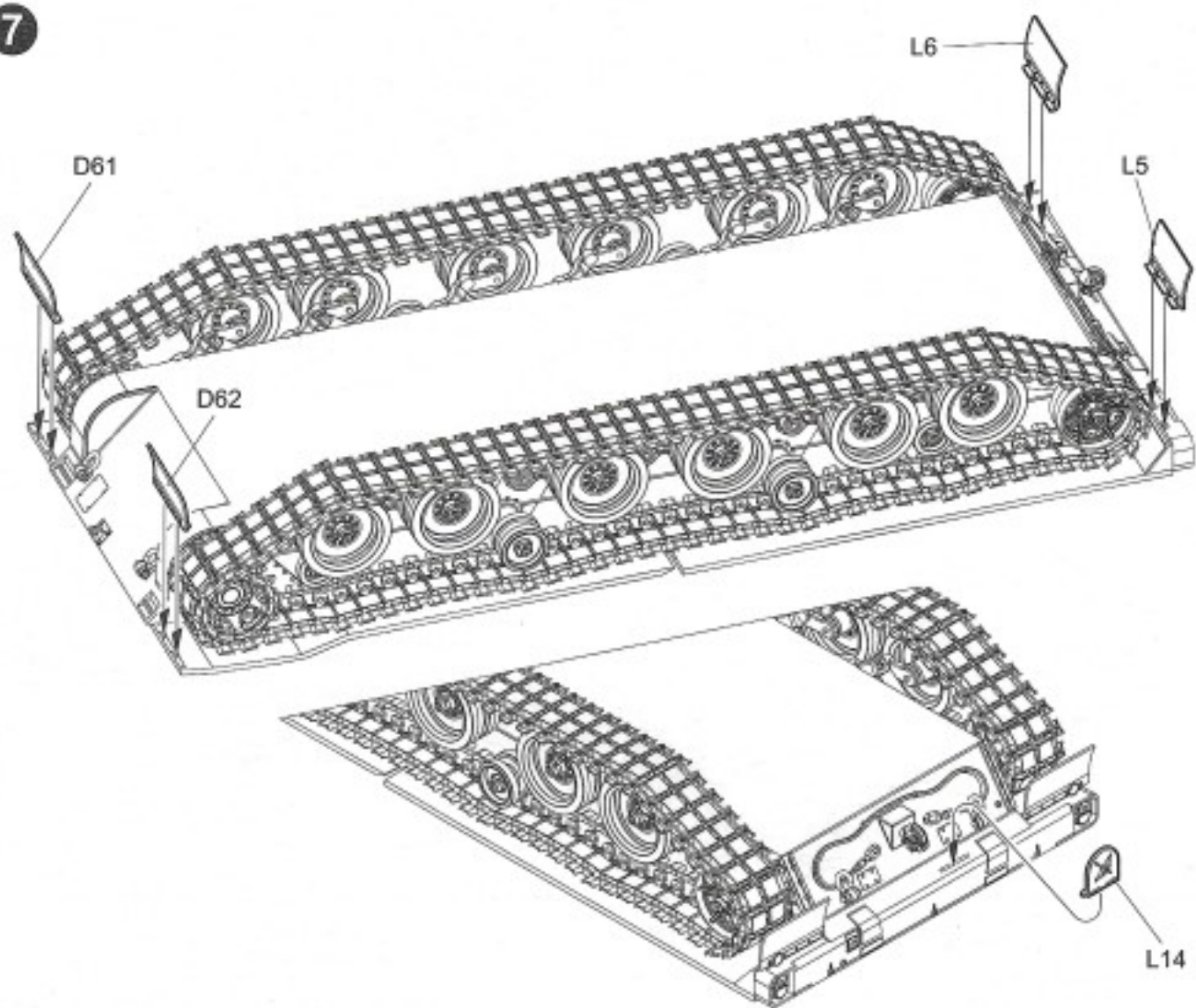
履带组装  
Track assembly



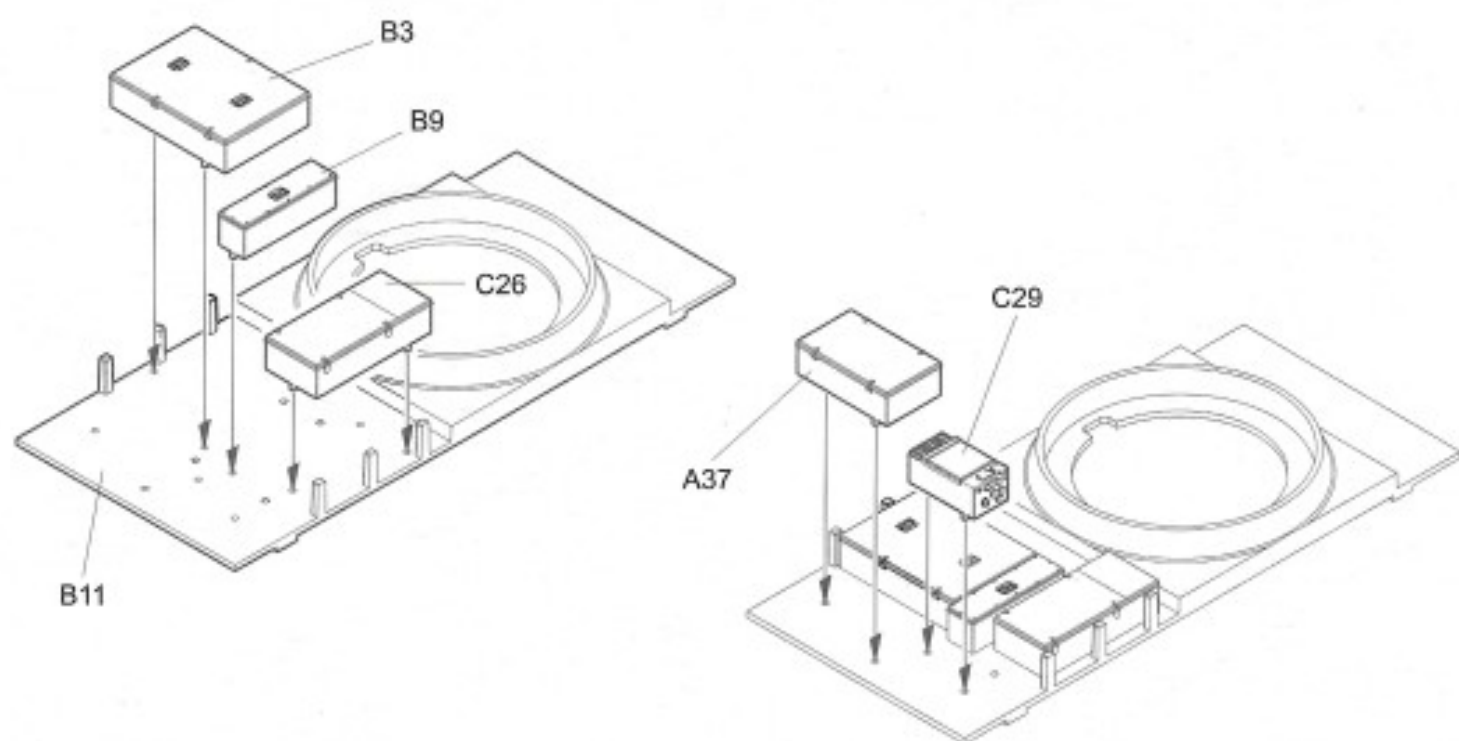
6



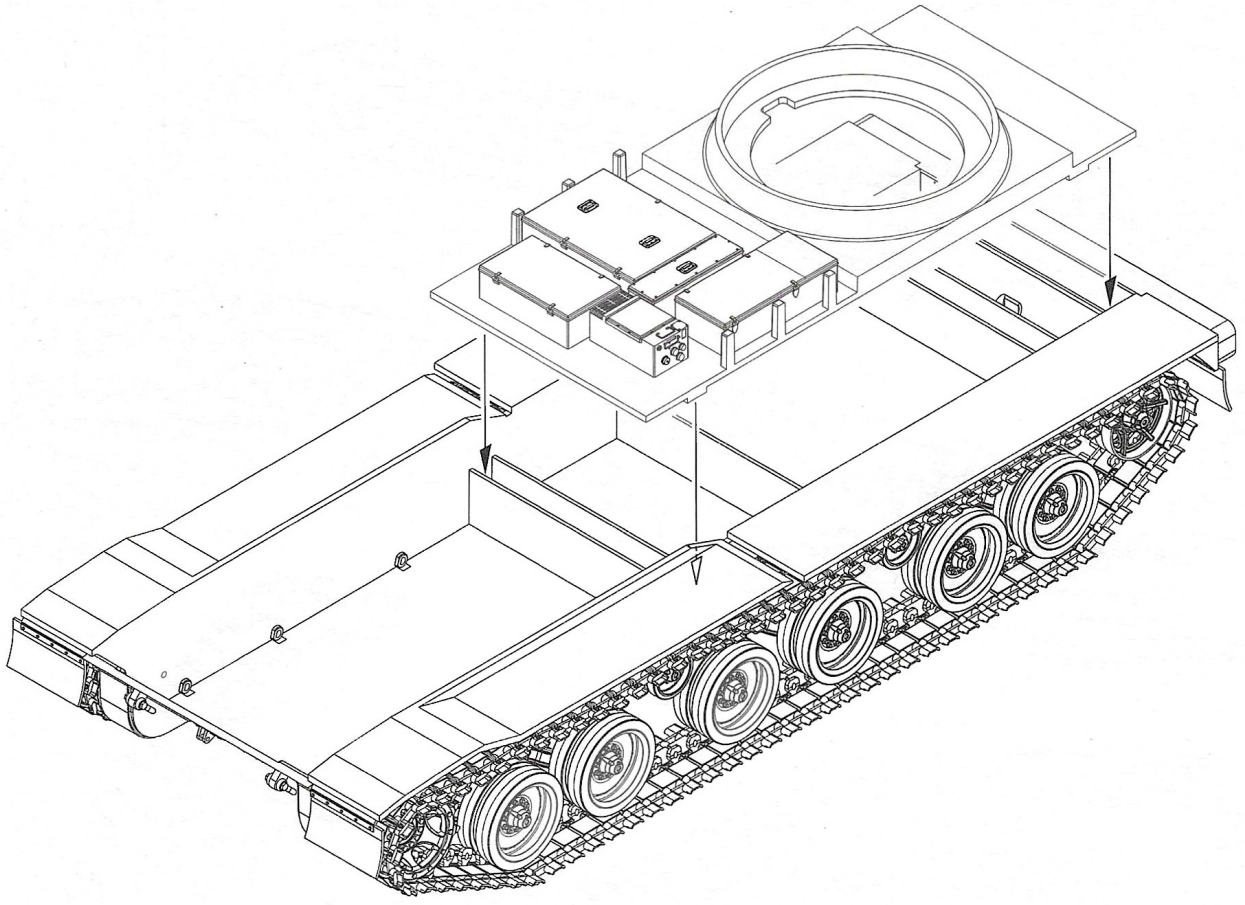
7



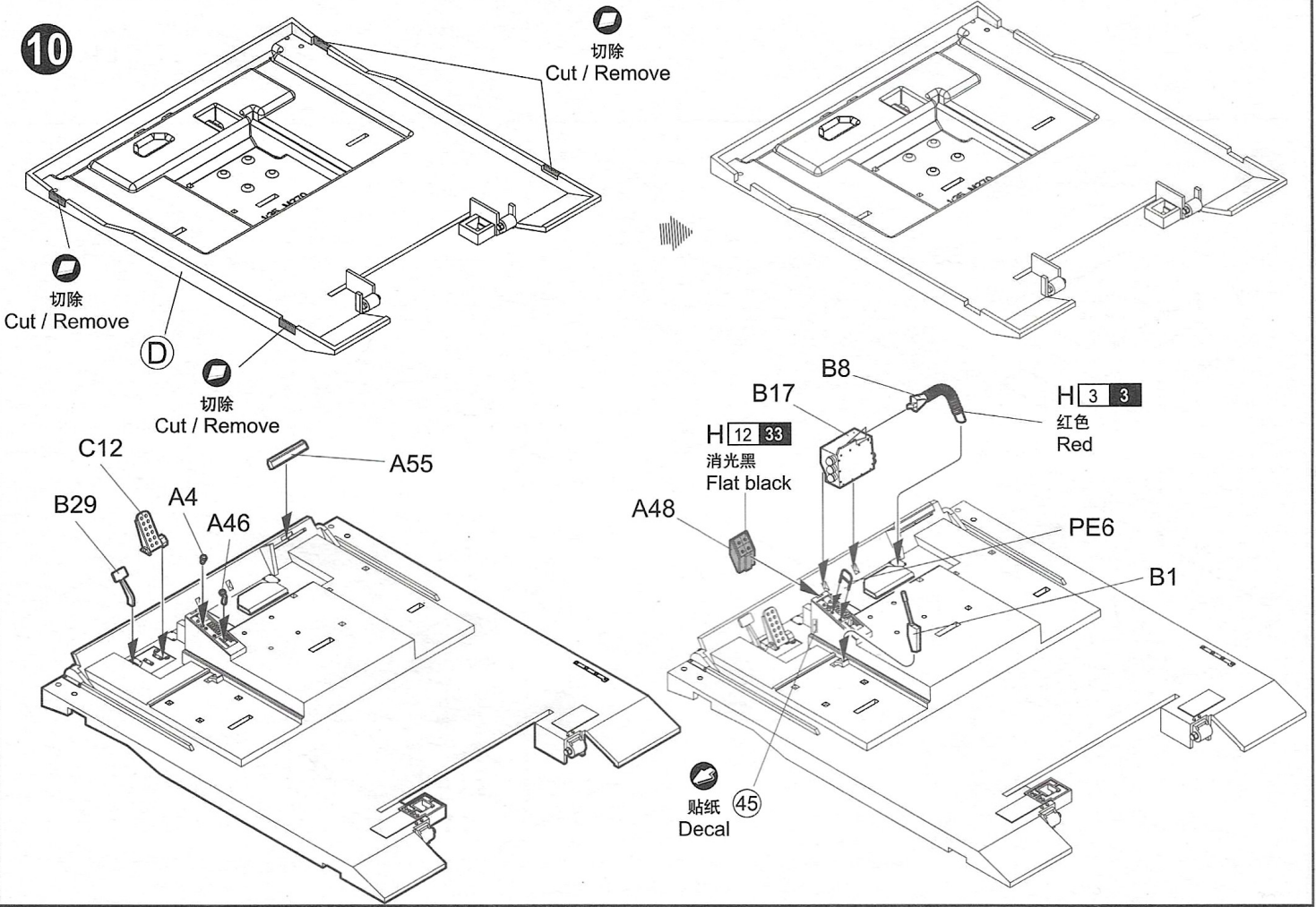
8



9

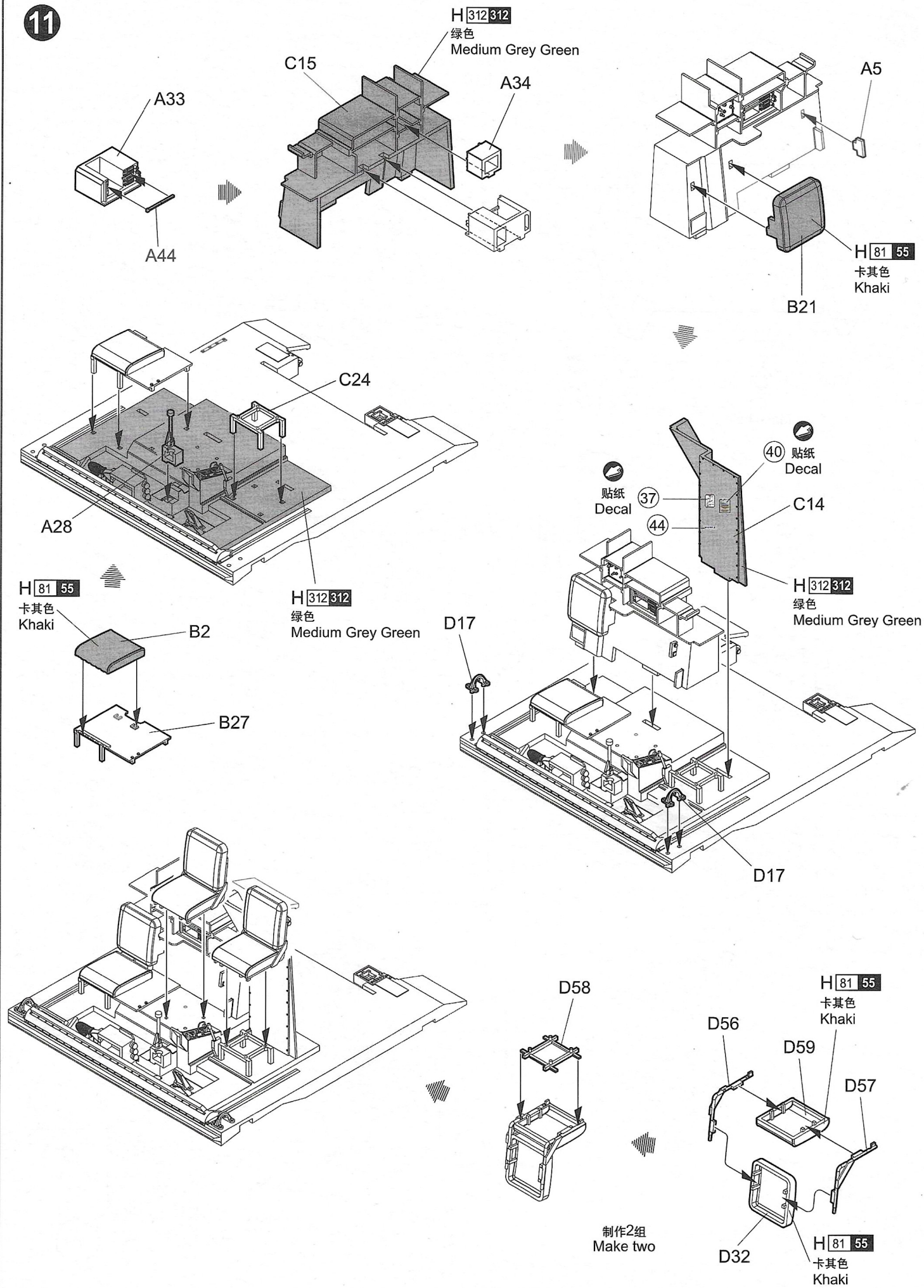


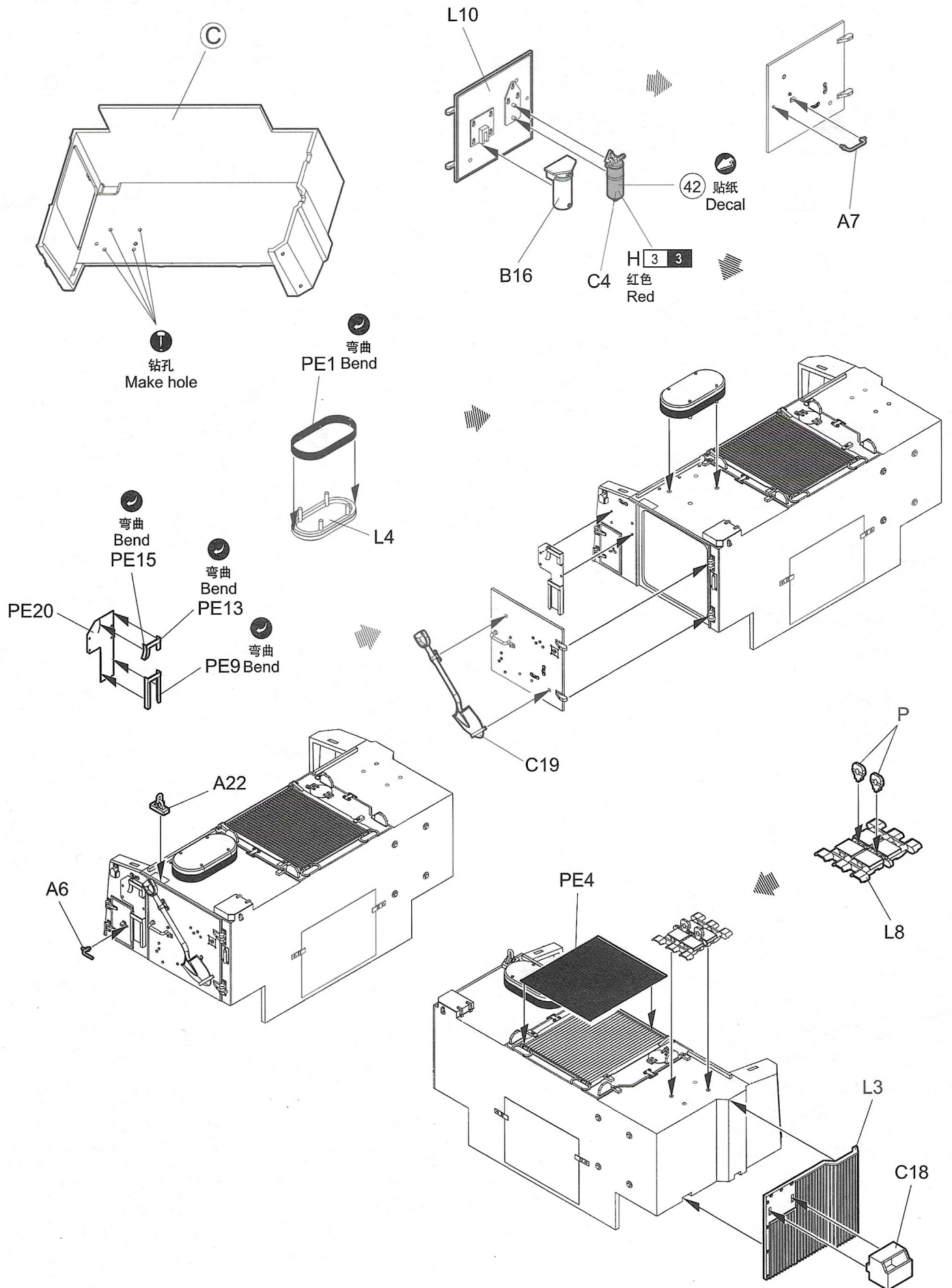
10



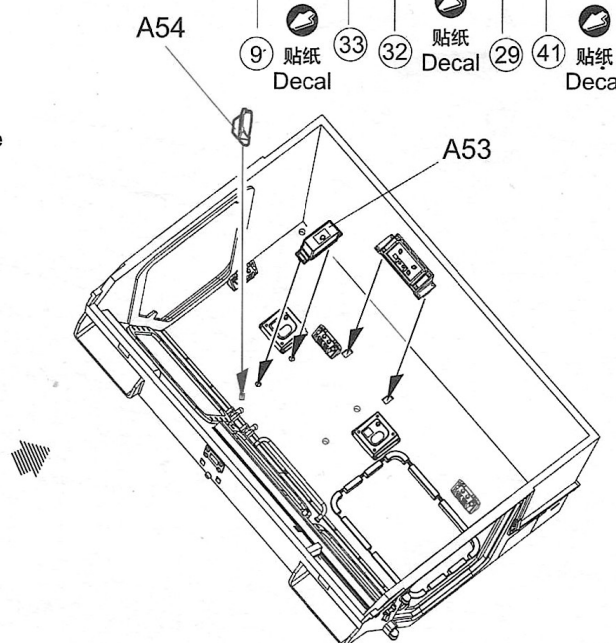
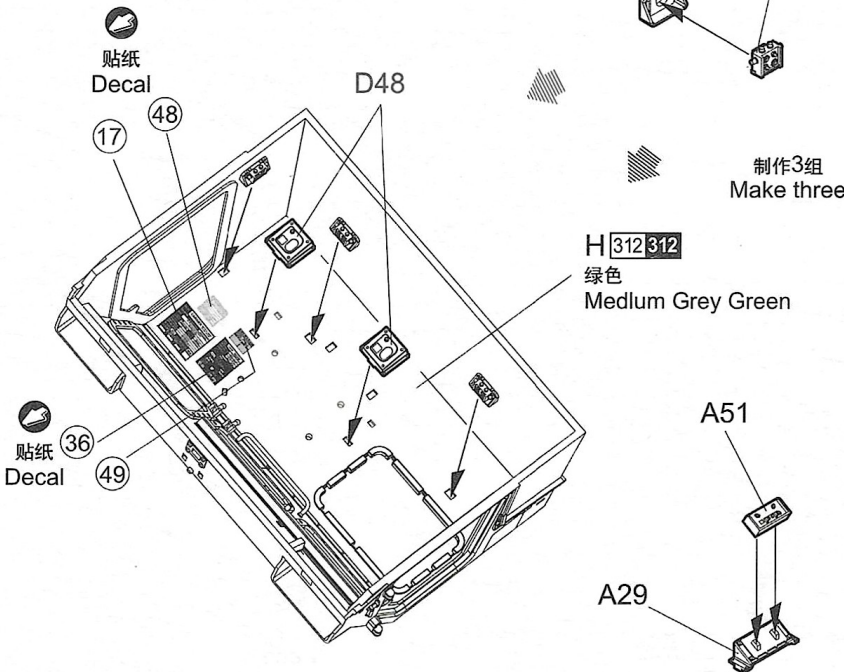
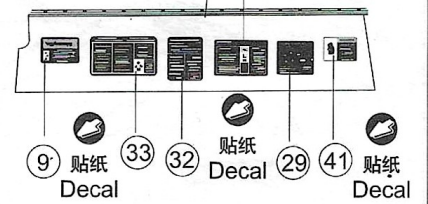
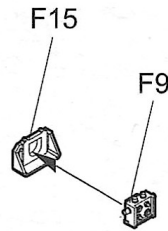
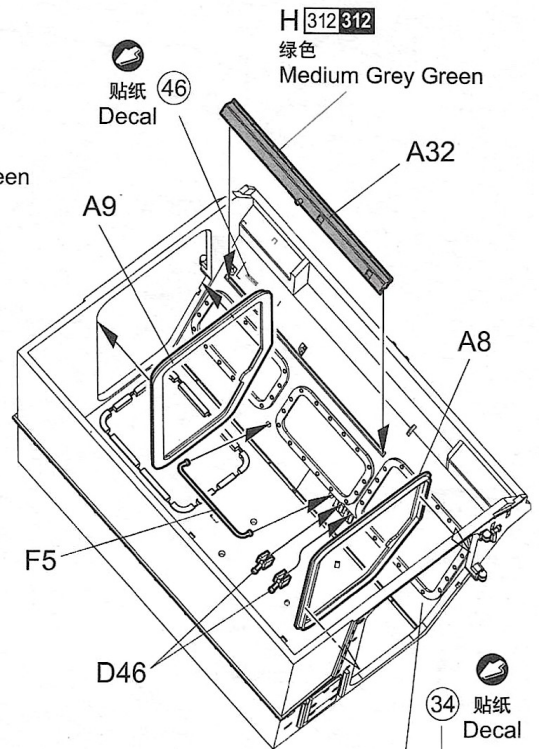
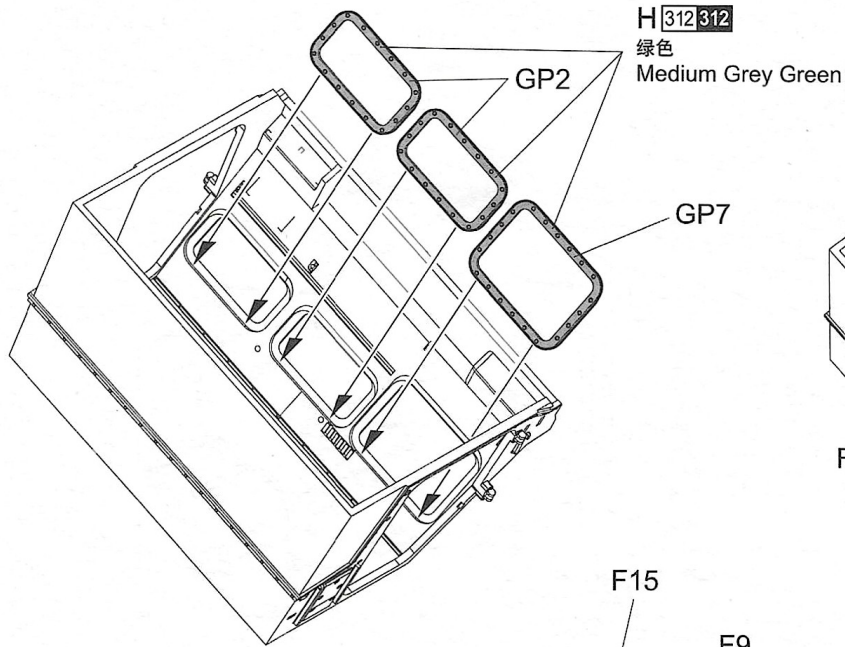
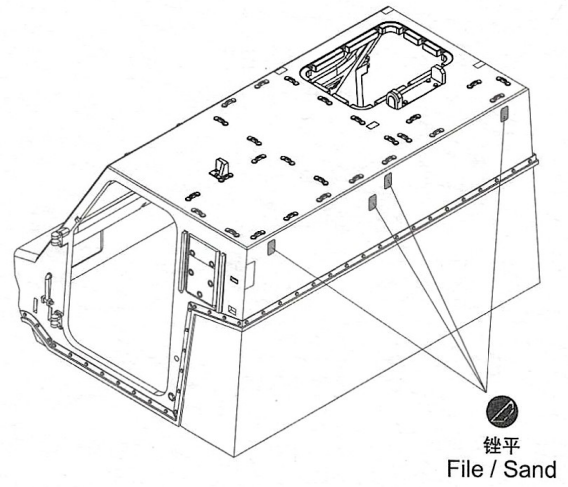
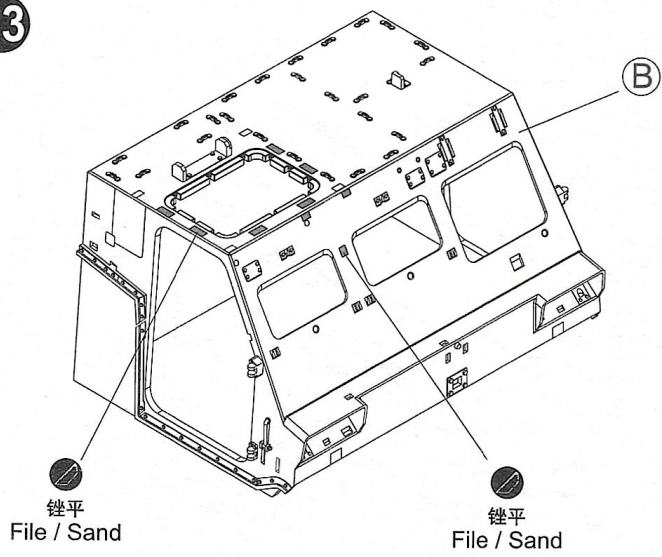


11

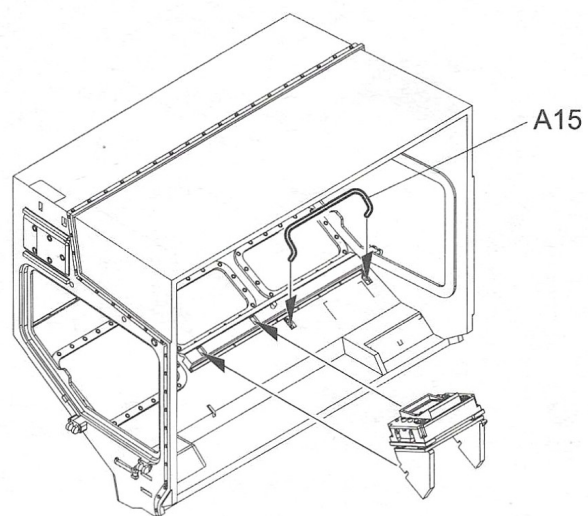
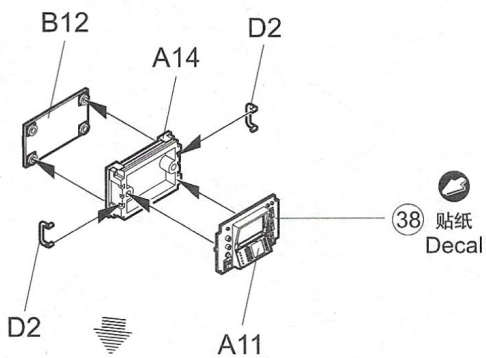




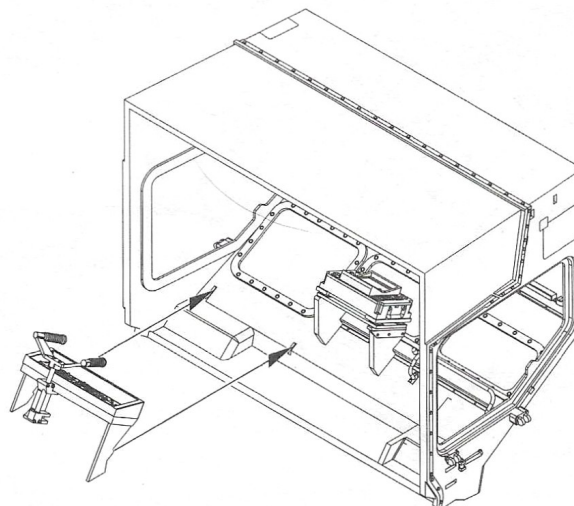
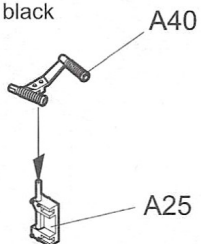
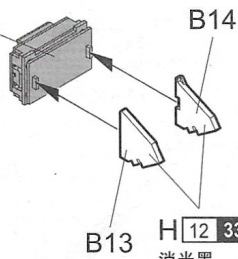
13



14

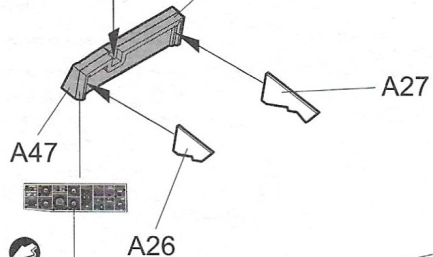


H 12 33  
消光黑  
Flat black

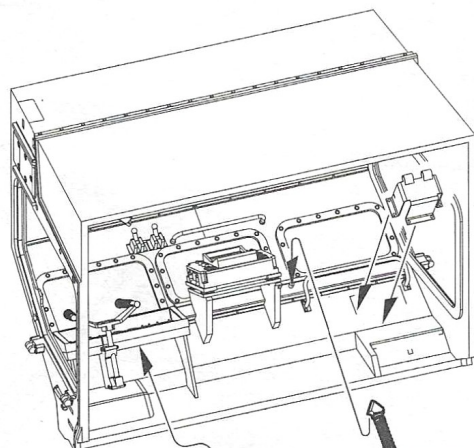


H 12 33  
消光黑  
Flat black

H 12 33  
消光黑  
Flat black



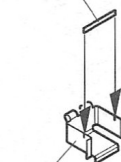
(39) 贴纸  
Decal



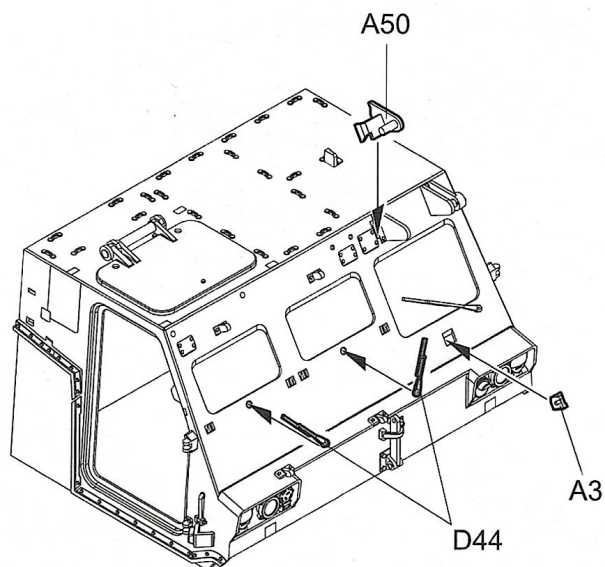
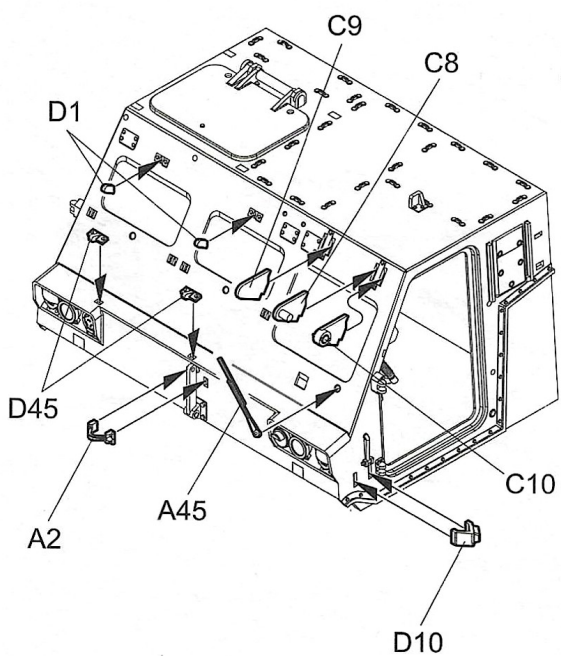
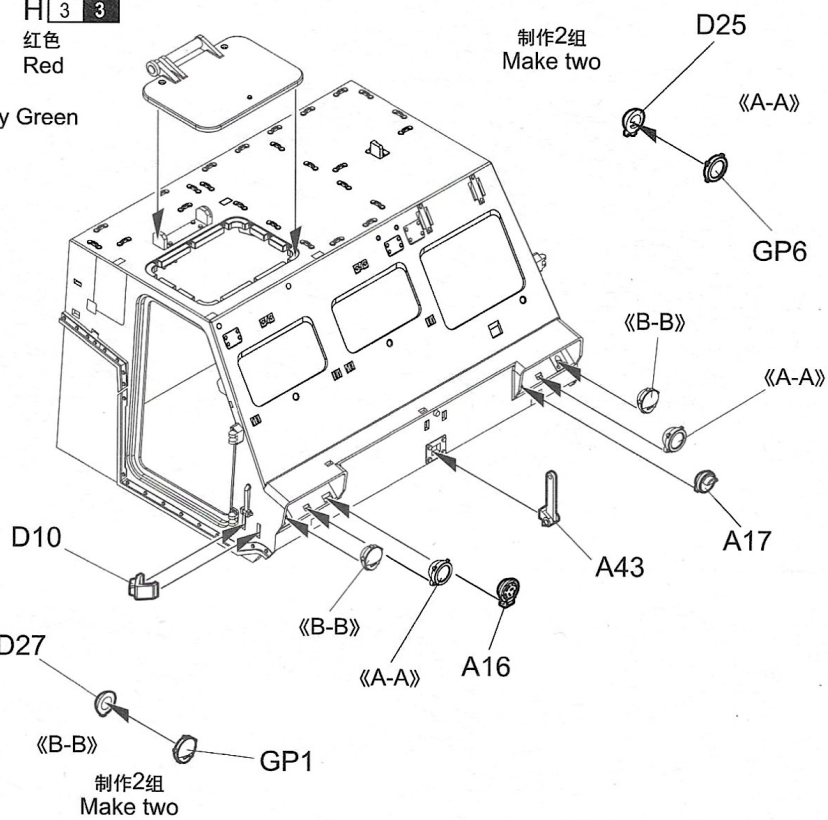
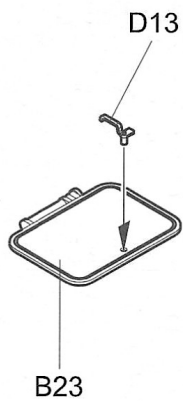
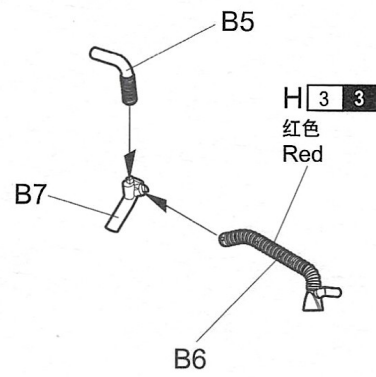
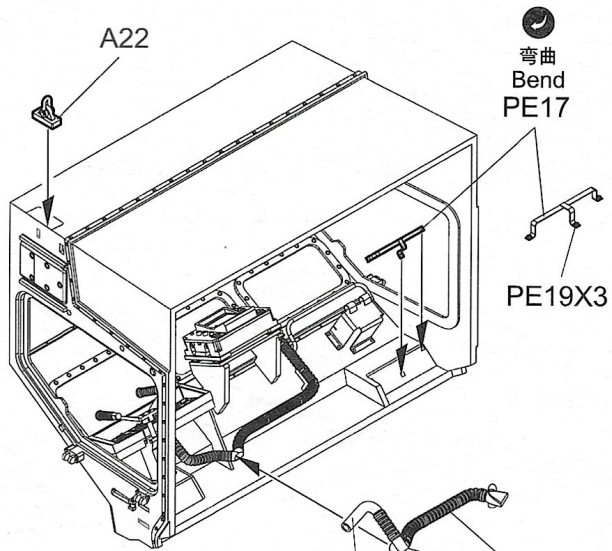
H 3 3  
红色  
Red

PE14

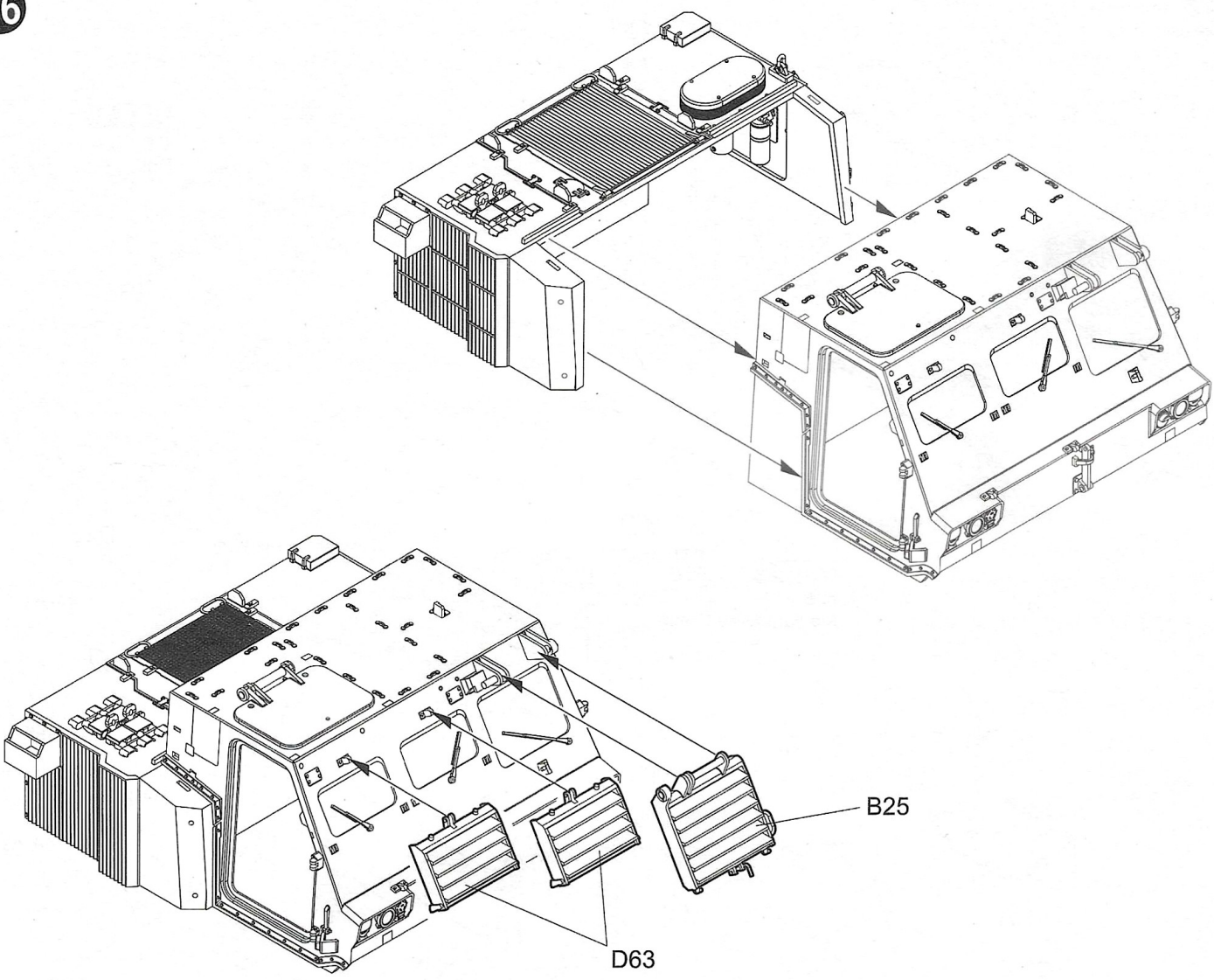
PE10  
弯曲  
Bend



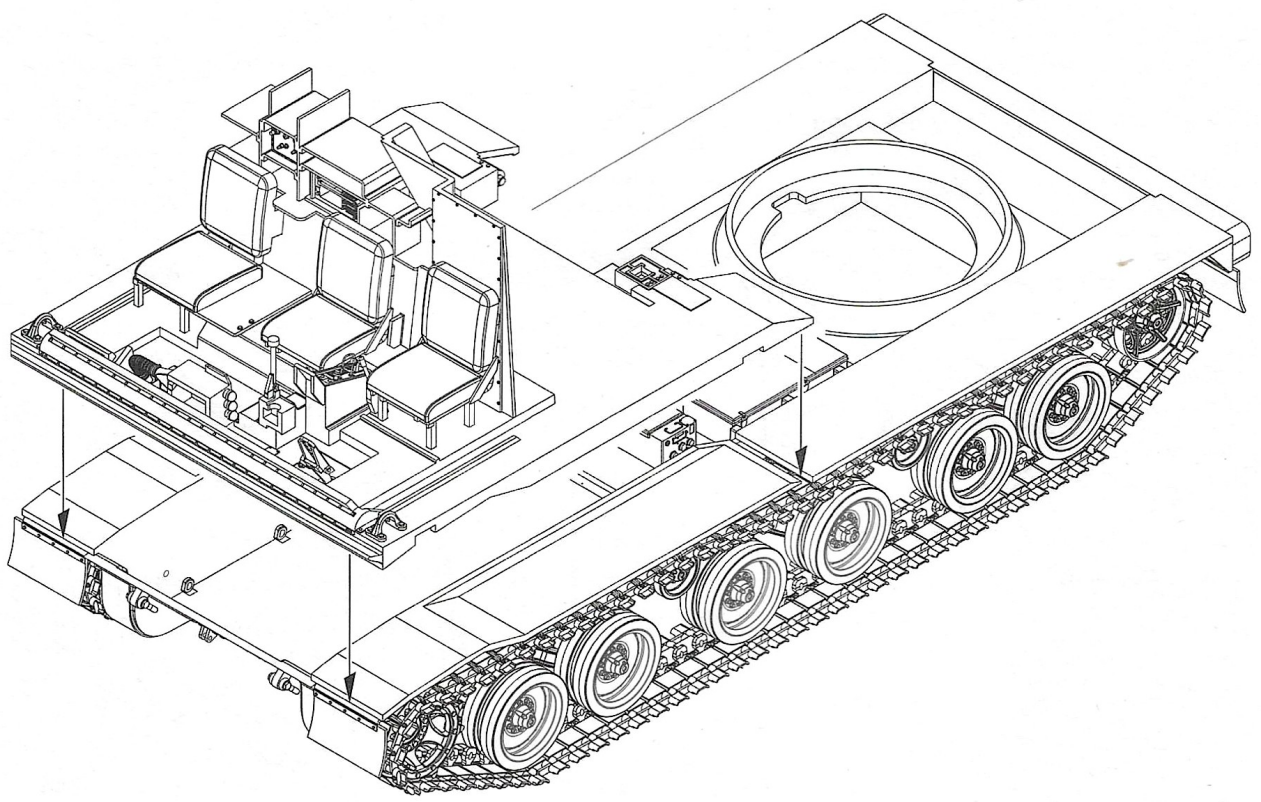
15



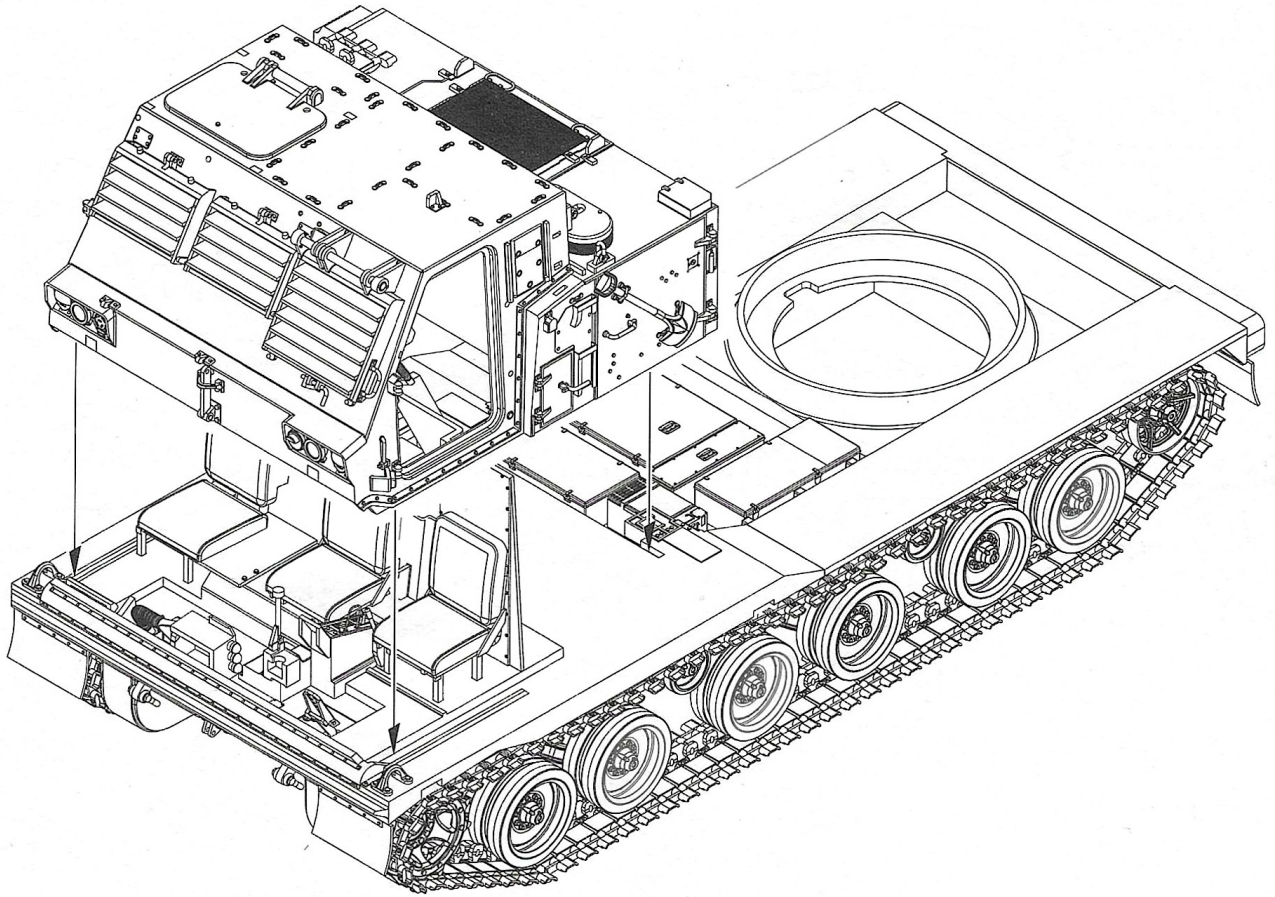
16



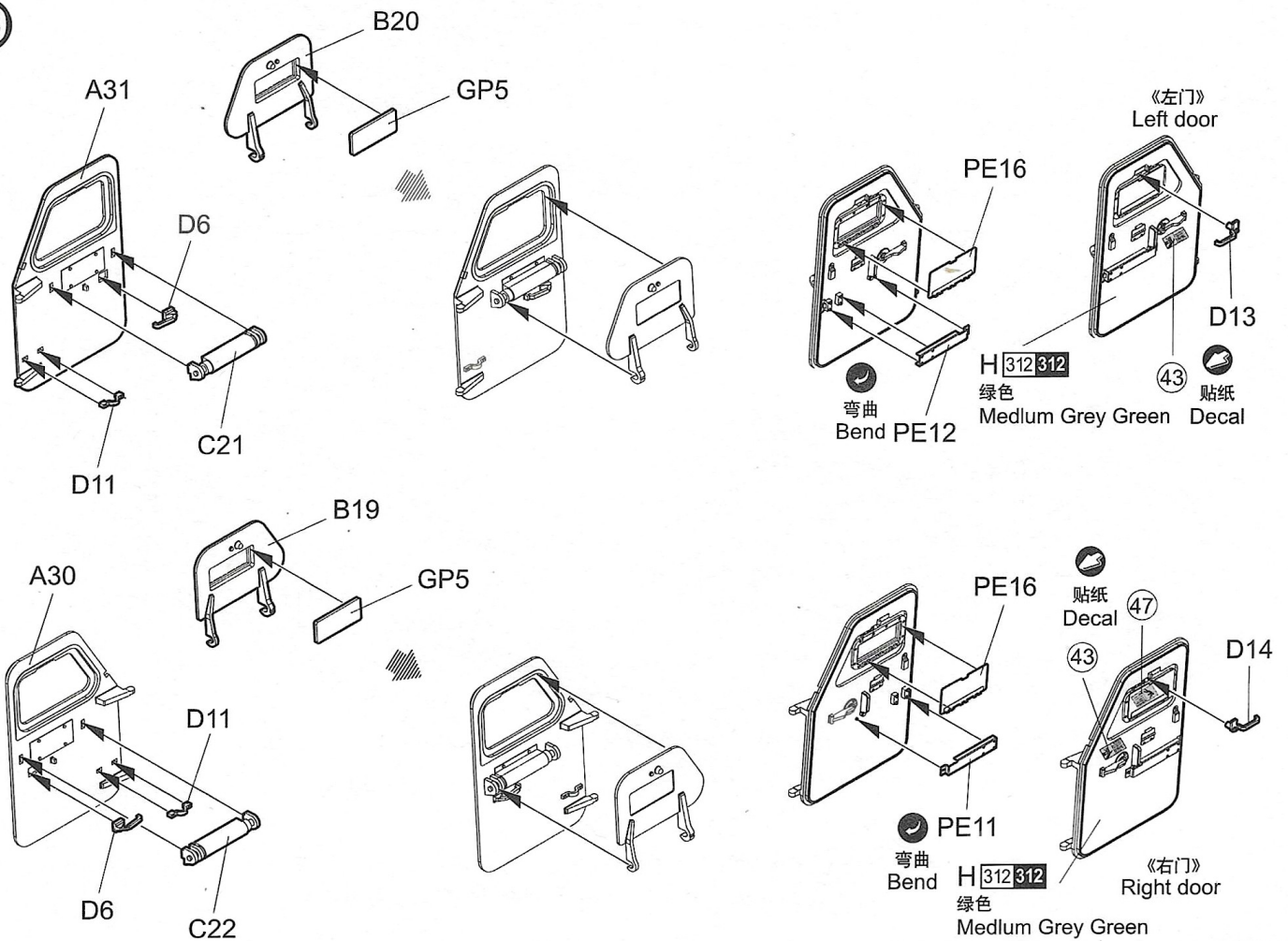
17

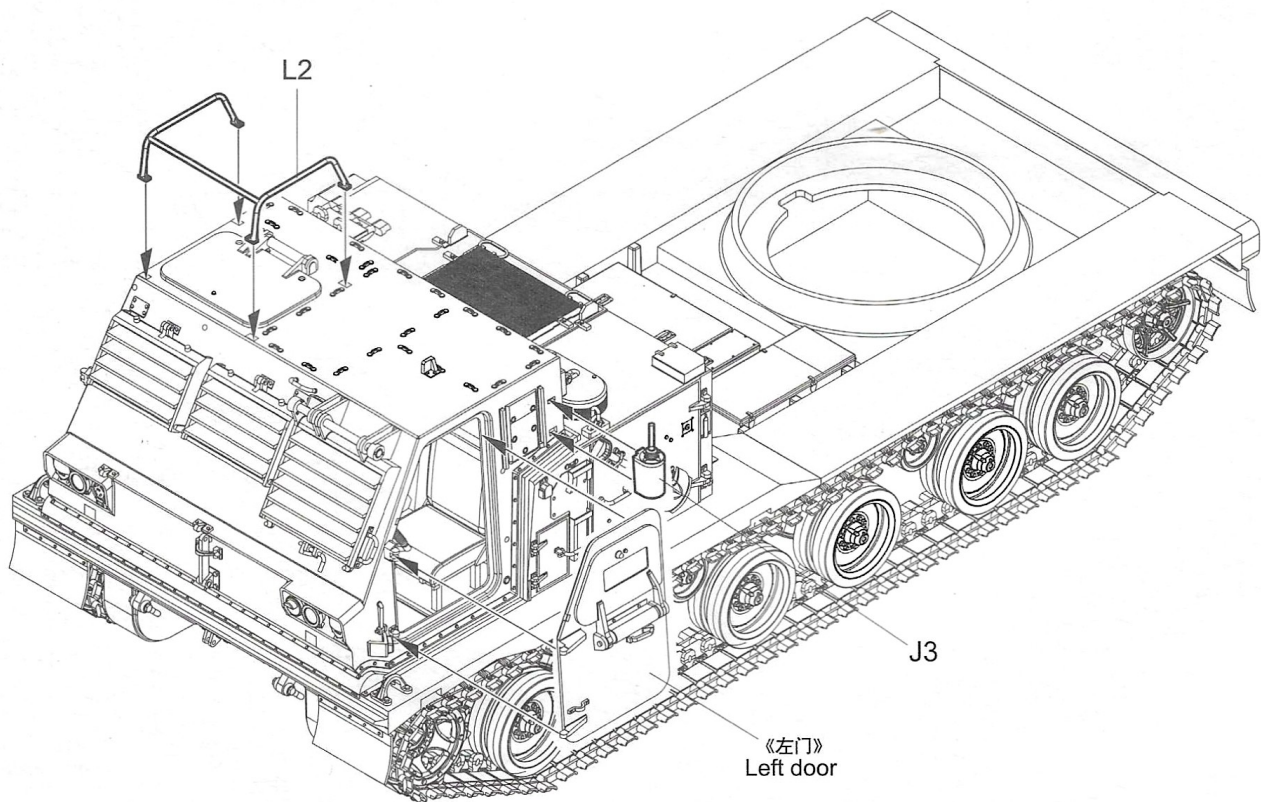
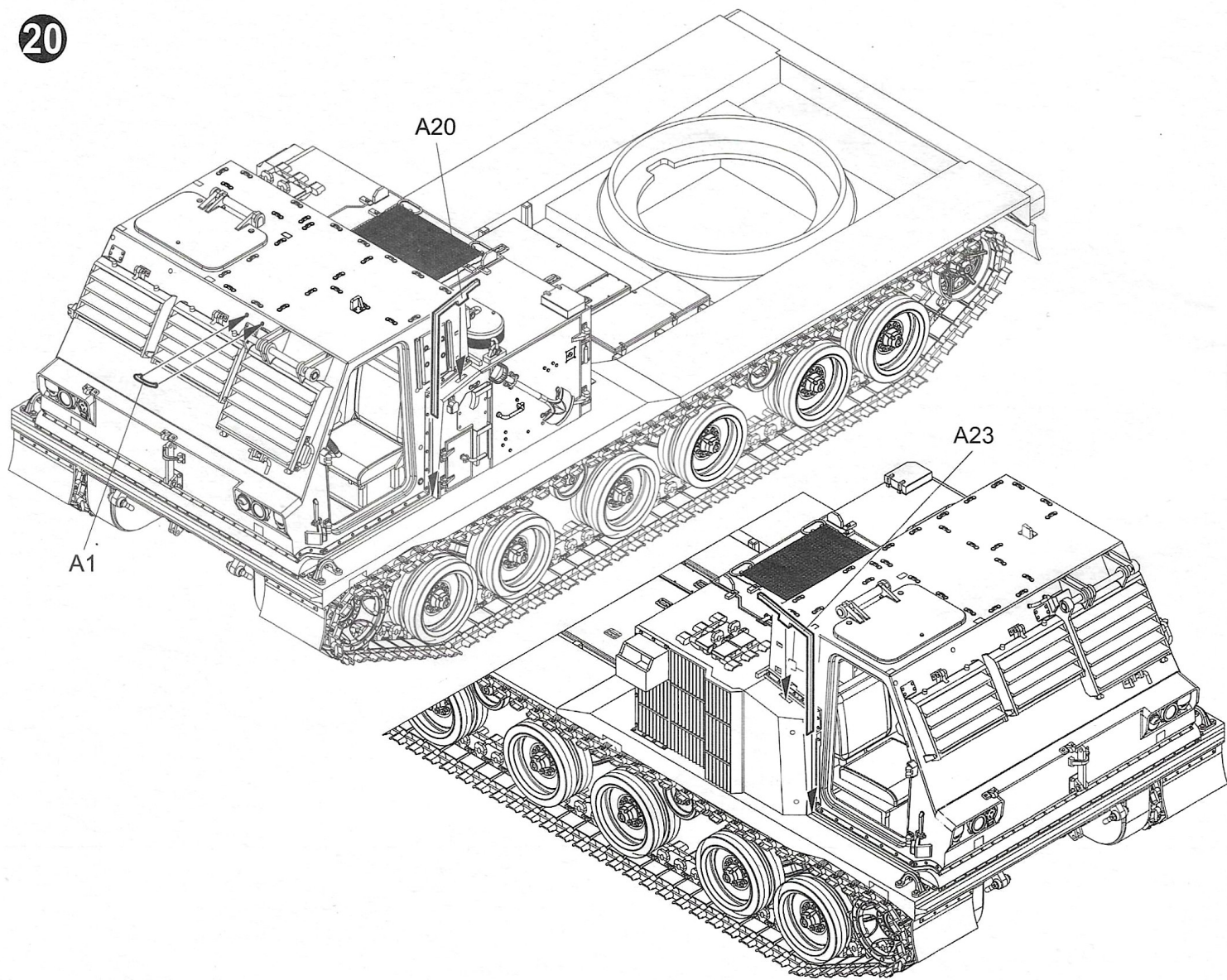


18

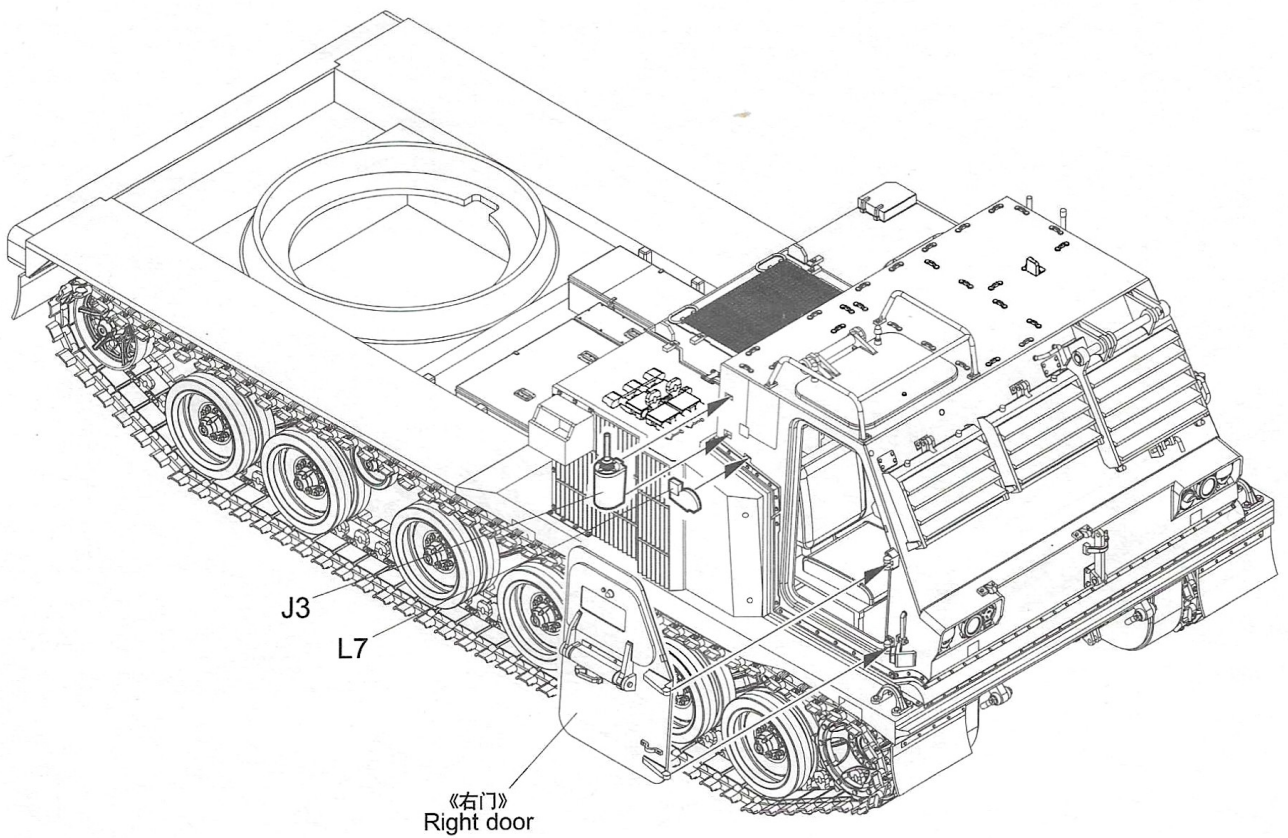
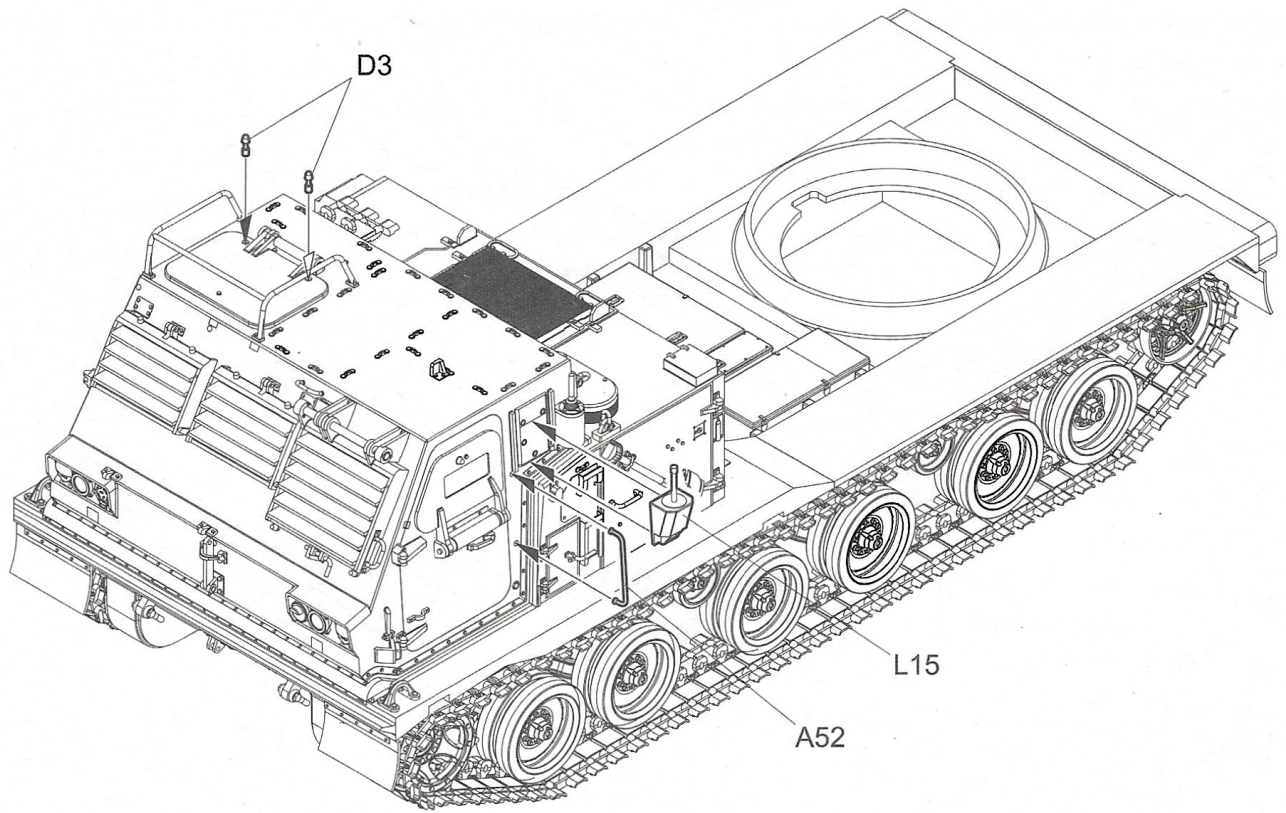


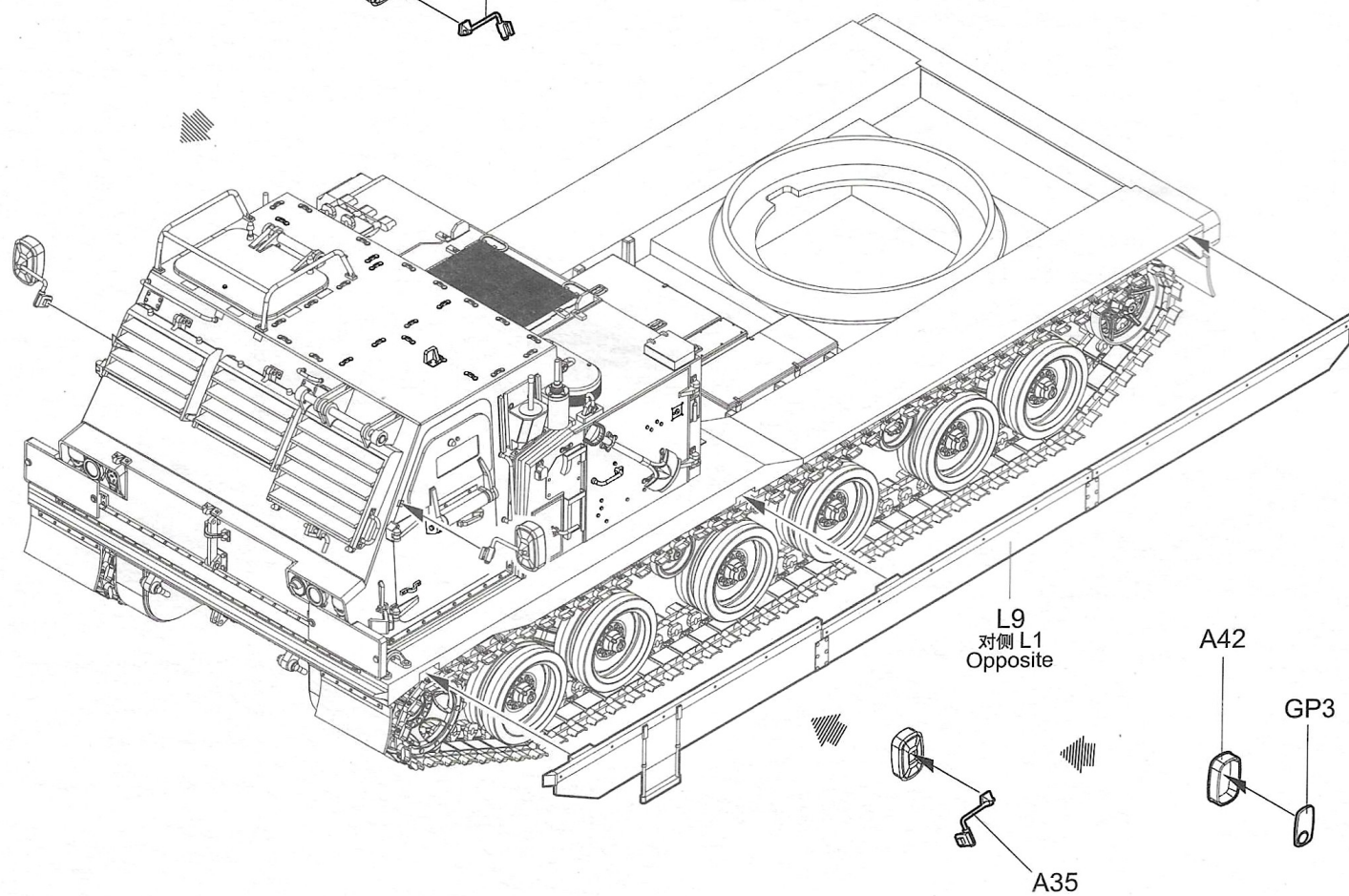
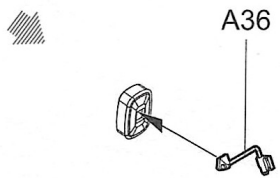
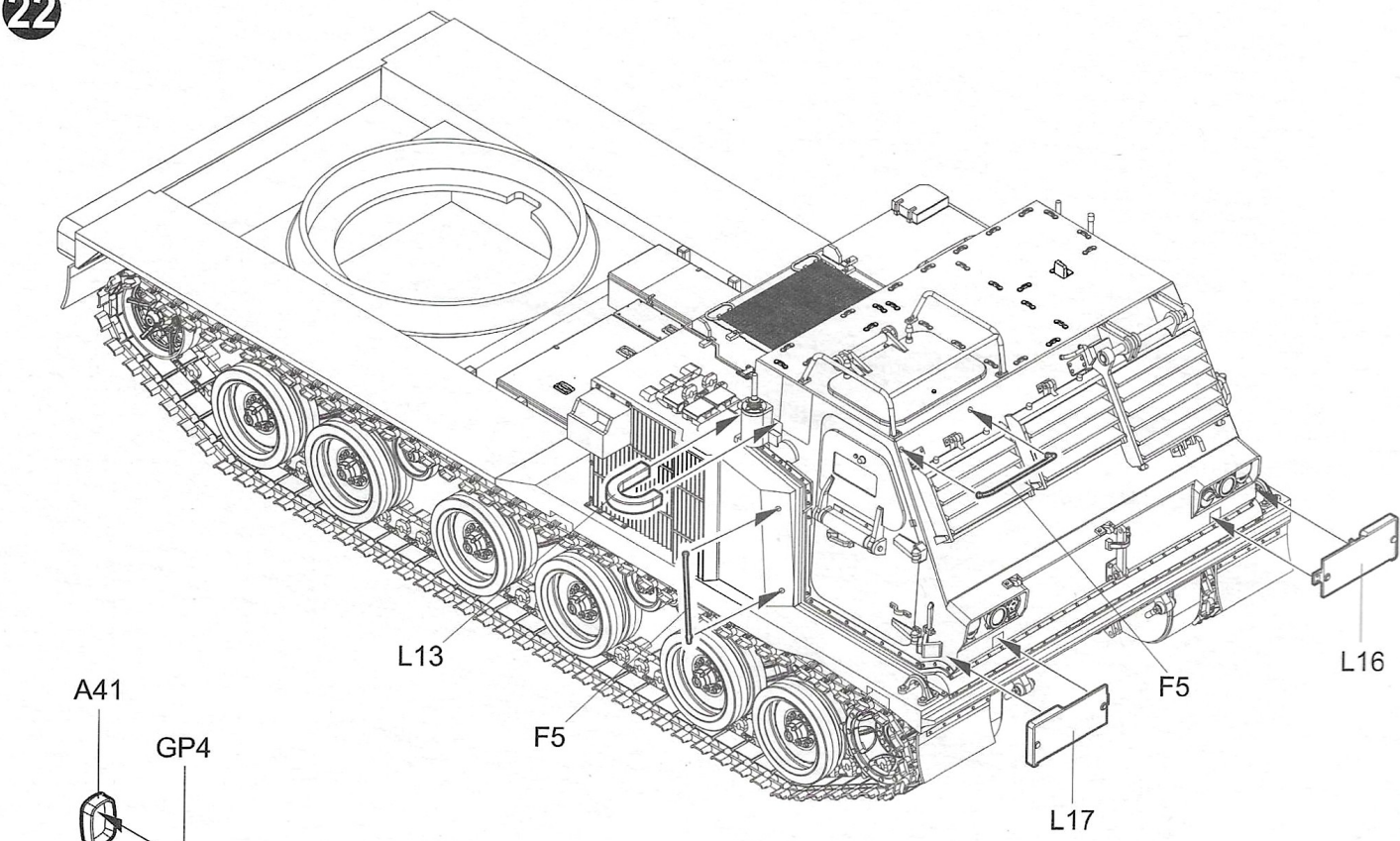
19











23

Ⓜ  
钻孔  
Make hole

Ⓜ  
钻孔  
Make hole

C27

C16

C20

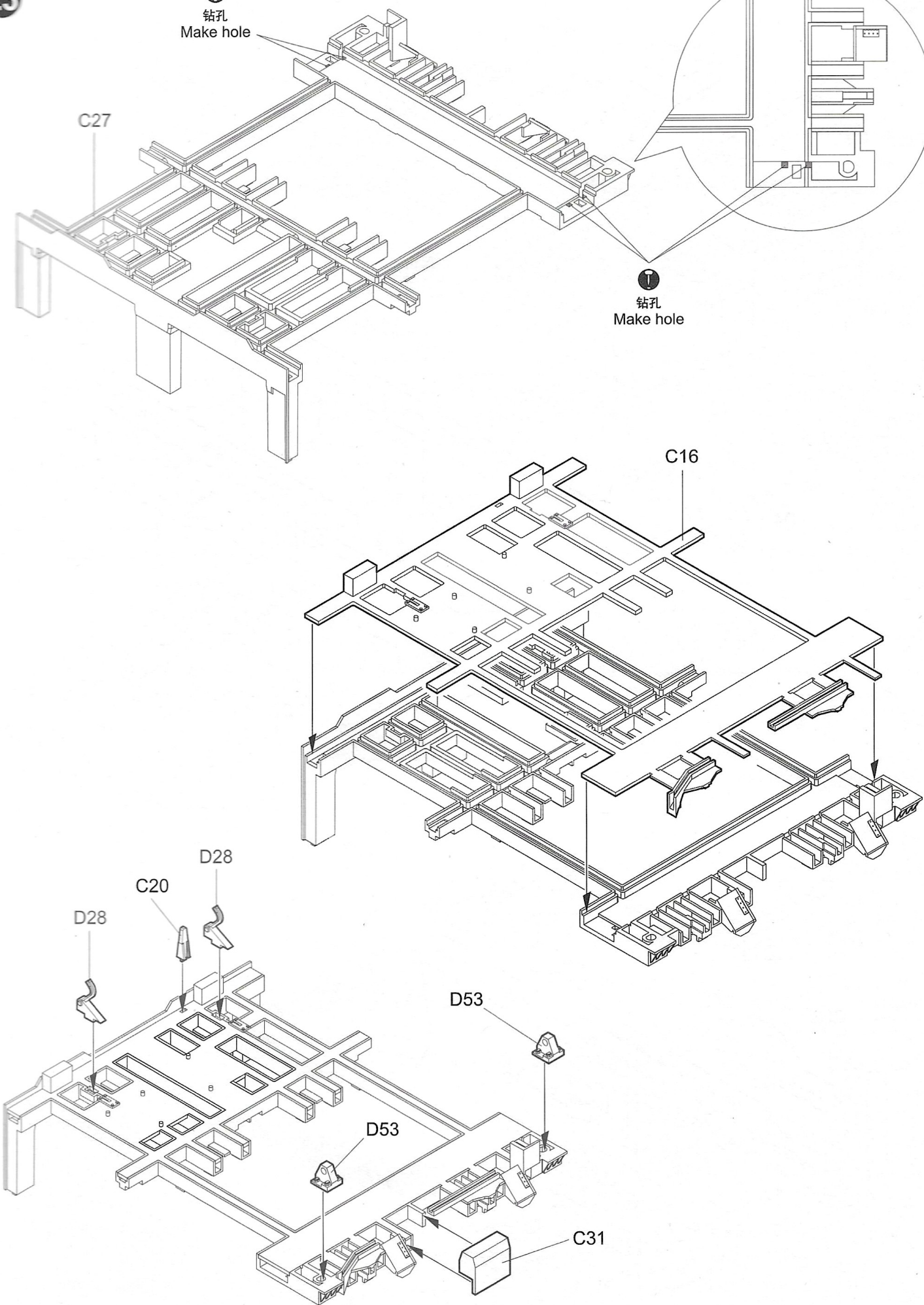
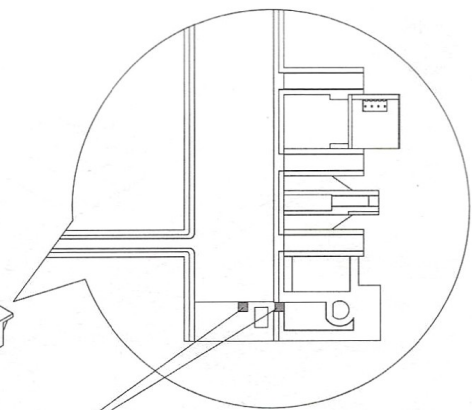
D28

D28

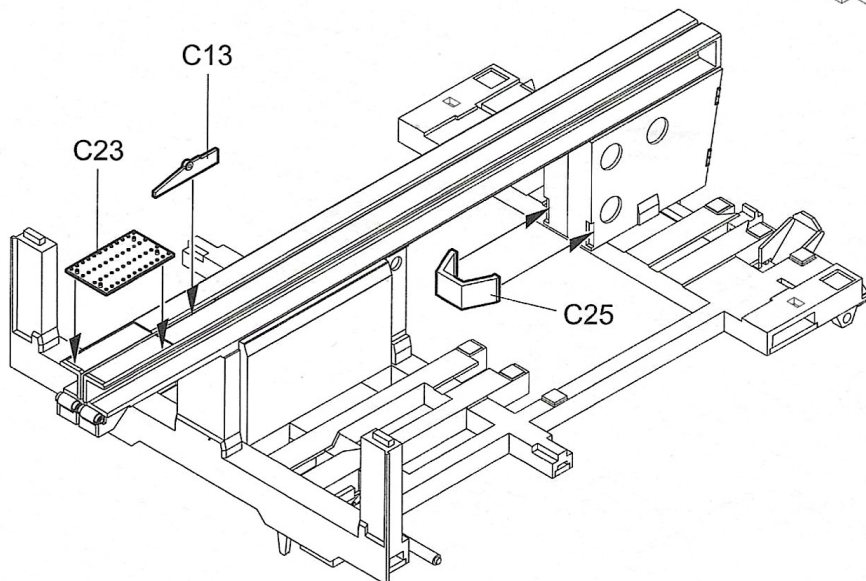
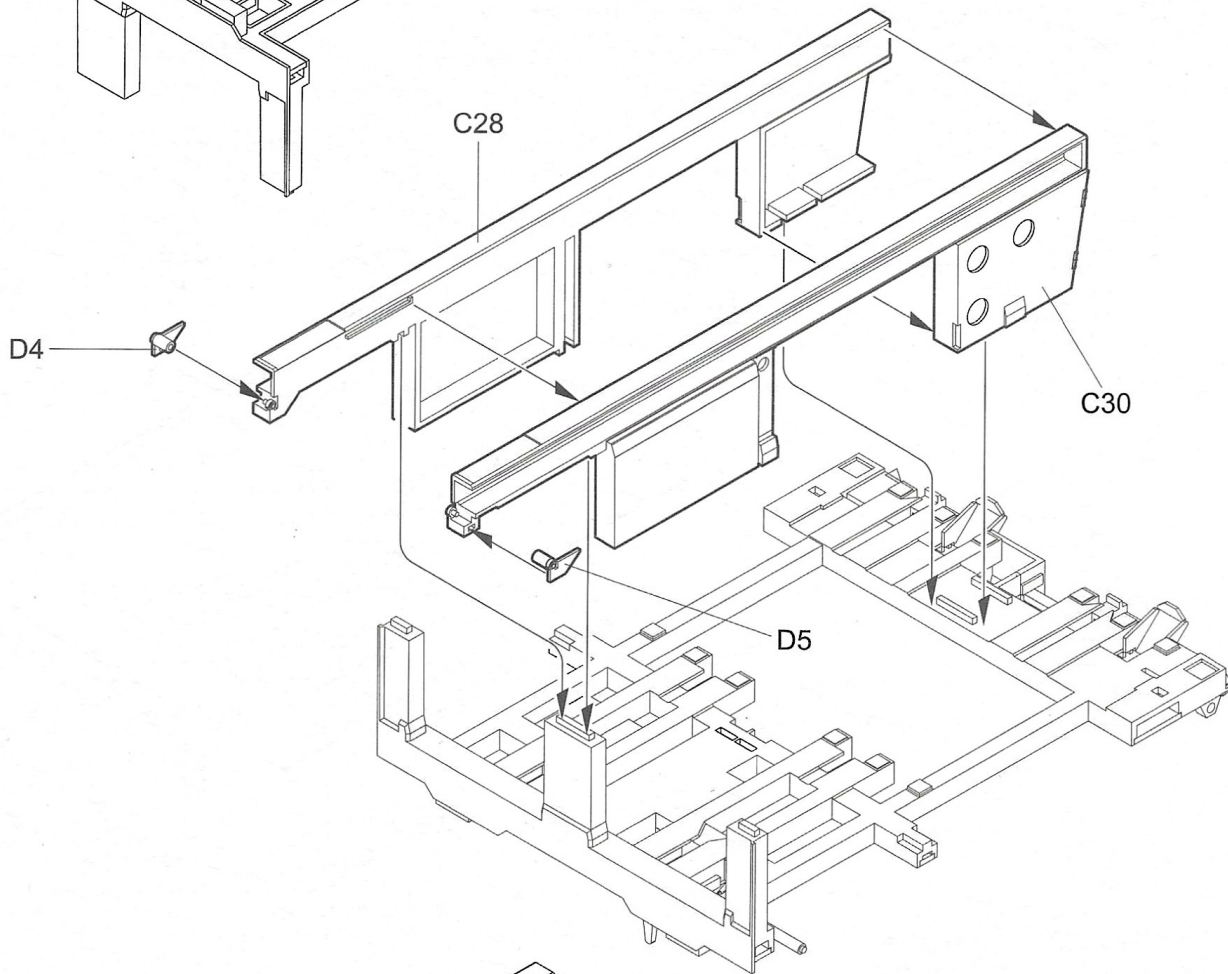
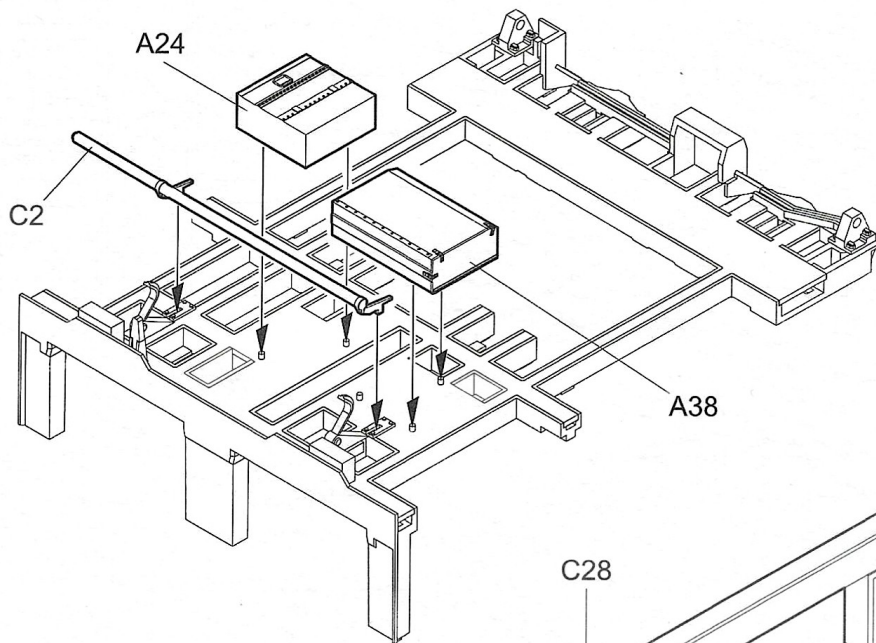
D53

D53

C31

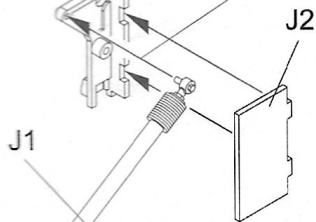


24

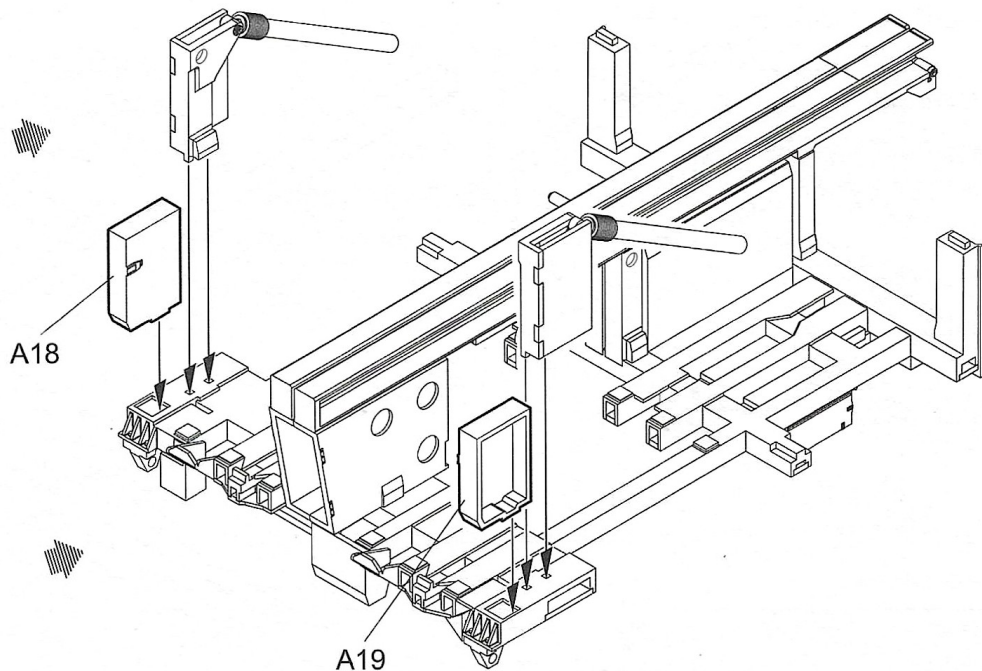
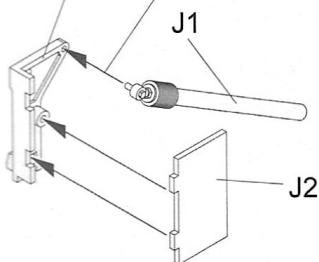


25

L11  
不涂胶水  
No cement

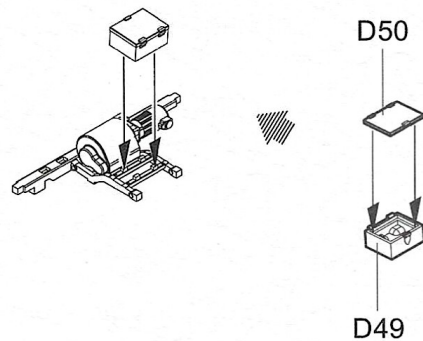
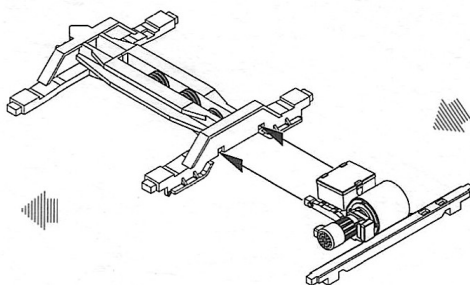
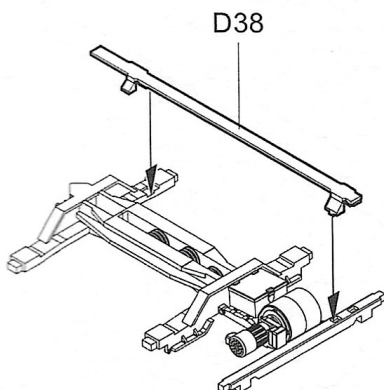
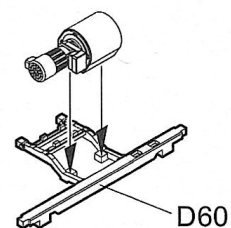
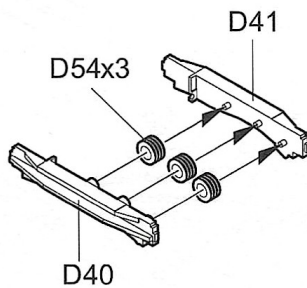
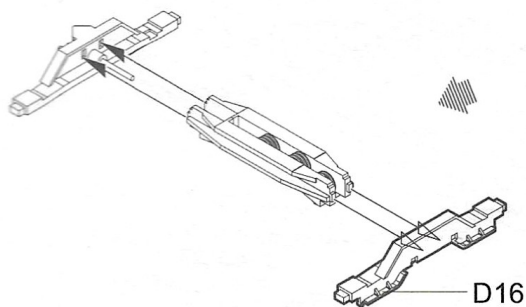
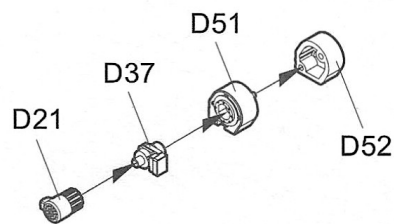
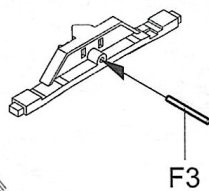
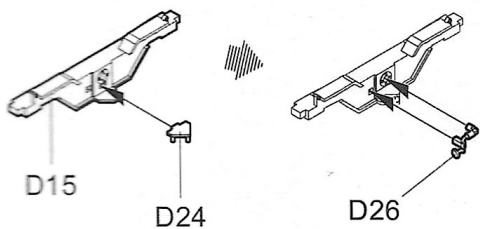


L12  
不涂胶水  
No cement

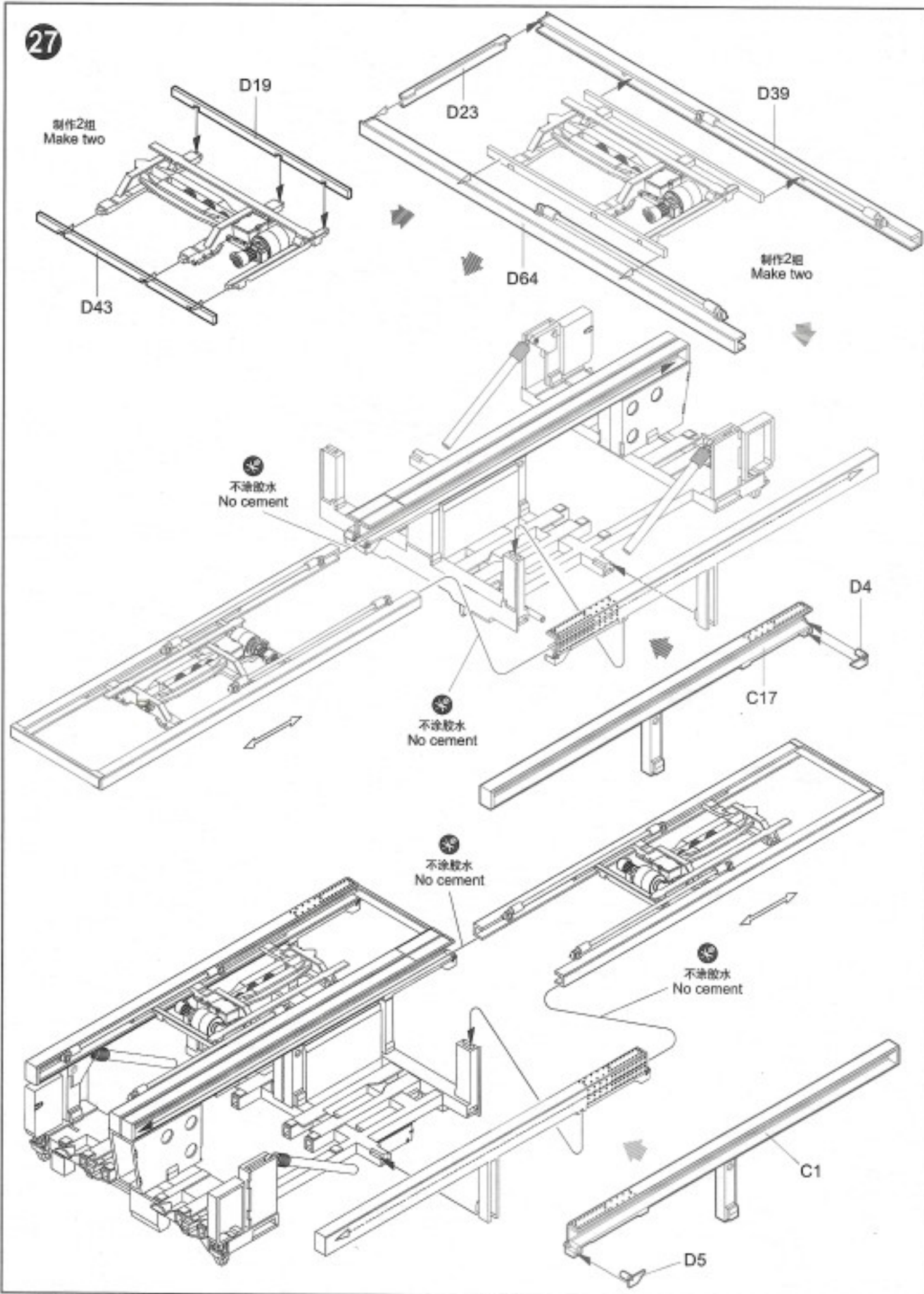


26

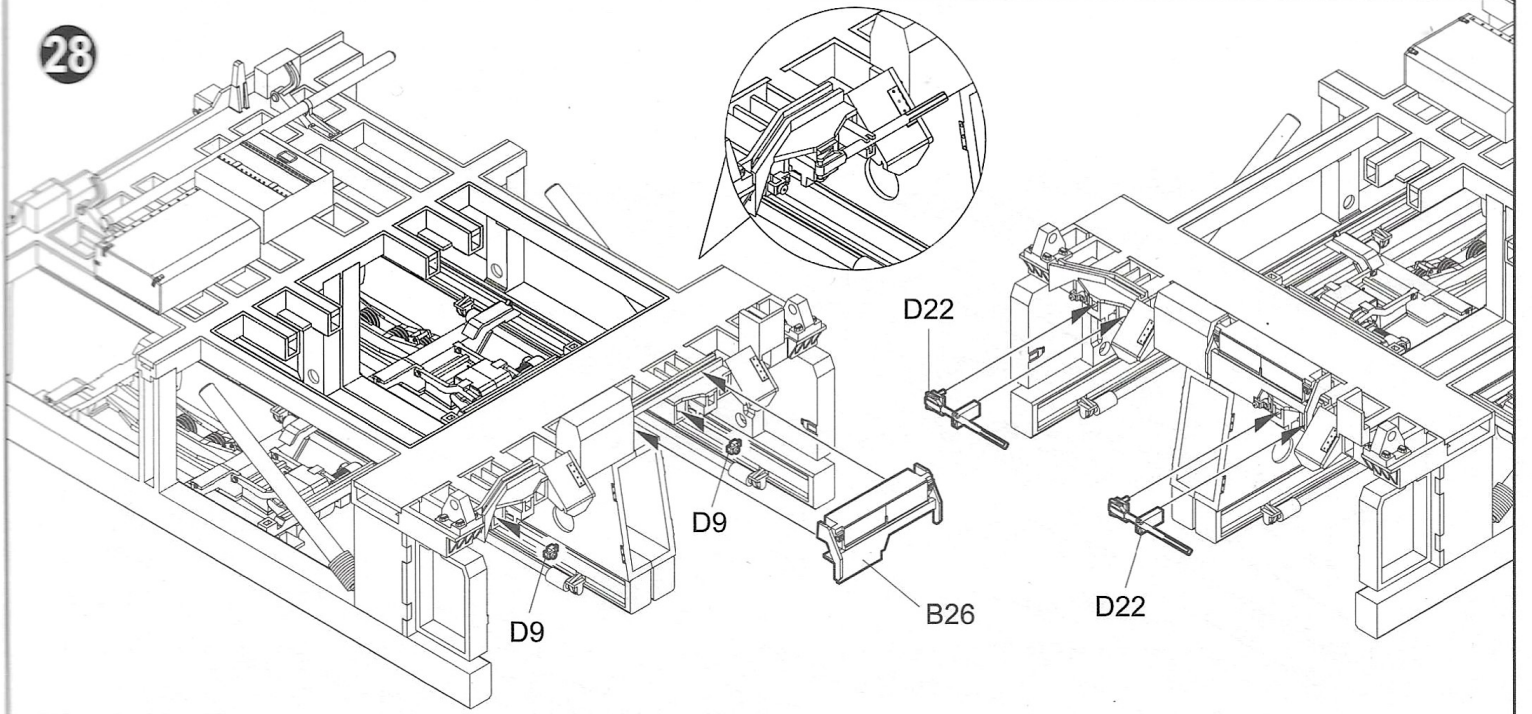
制作2组  
Make two



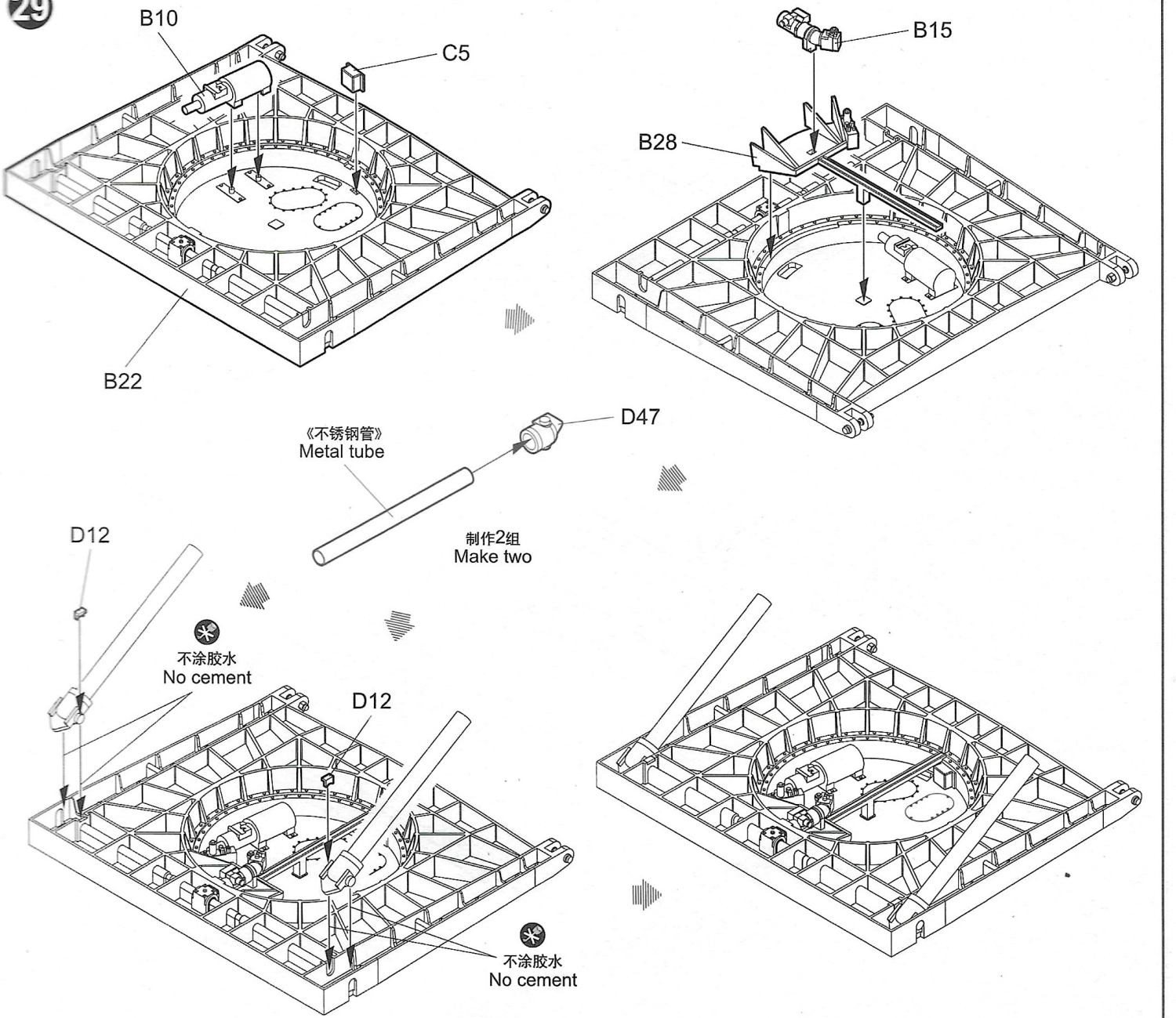
27

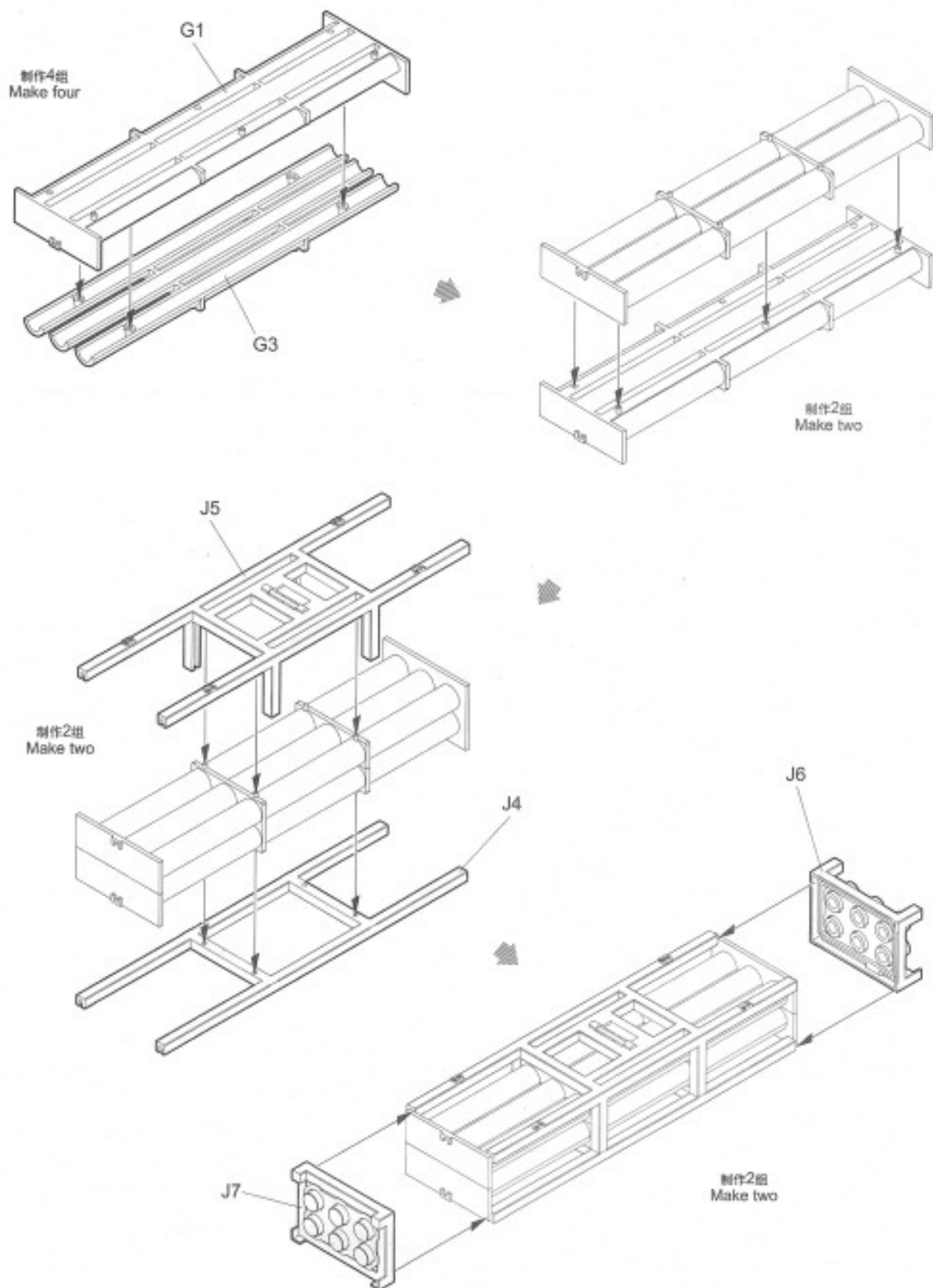


28



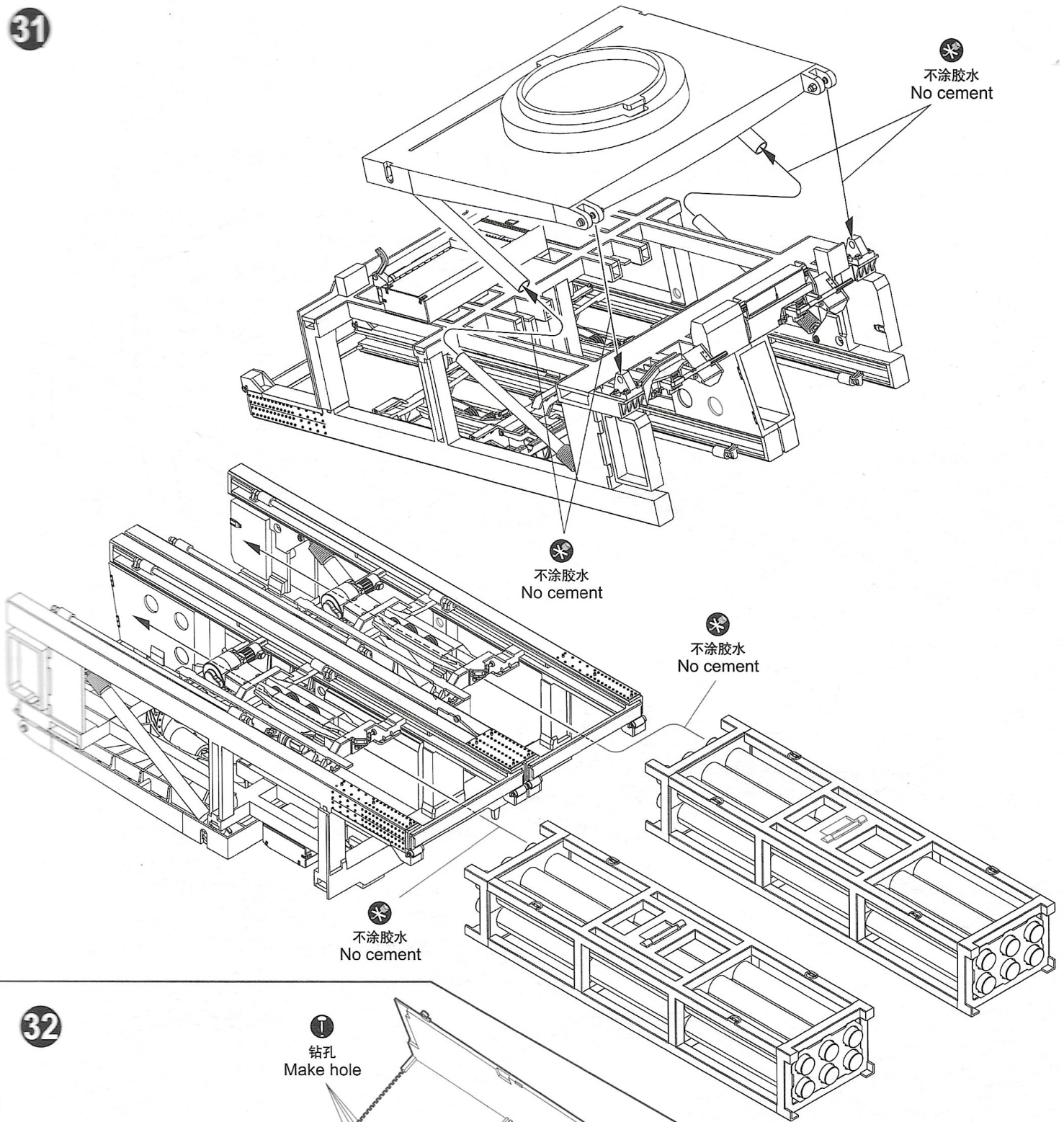
29



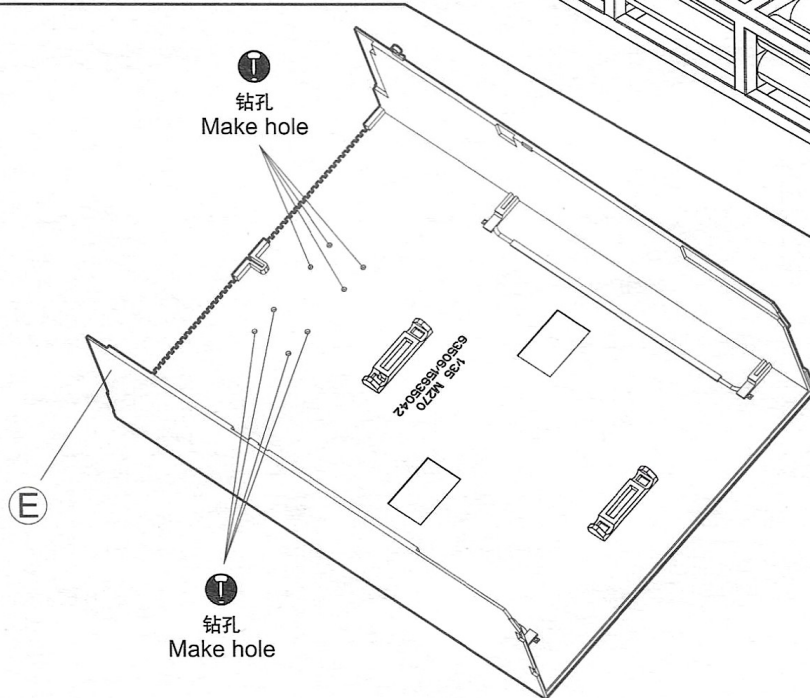




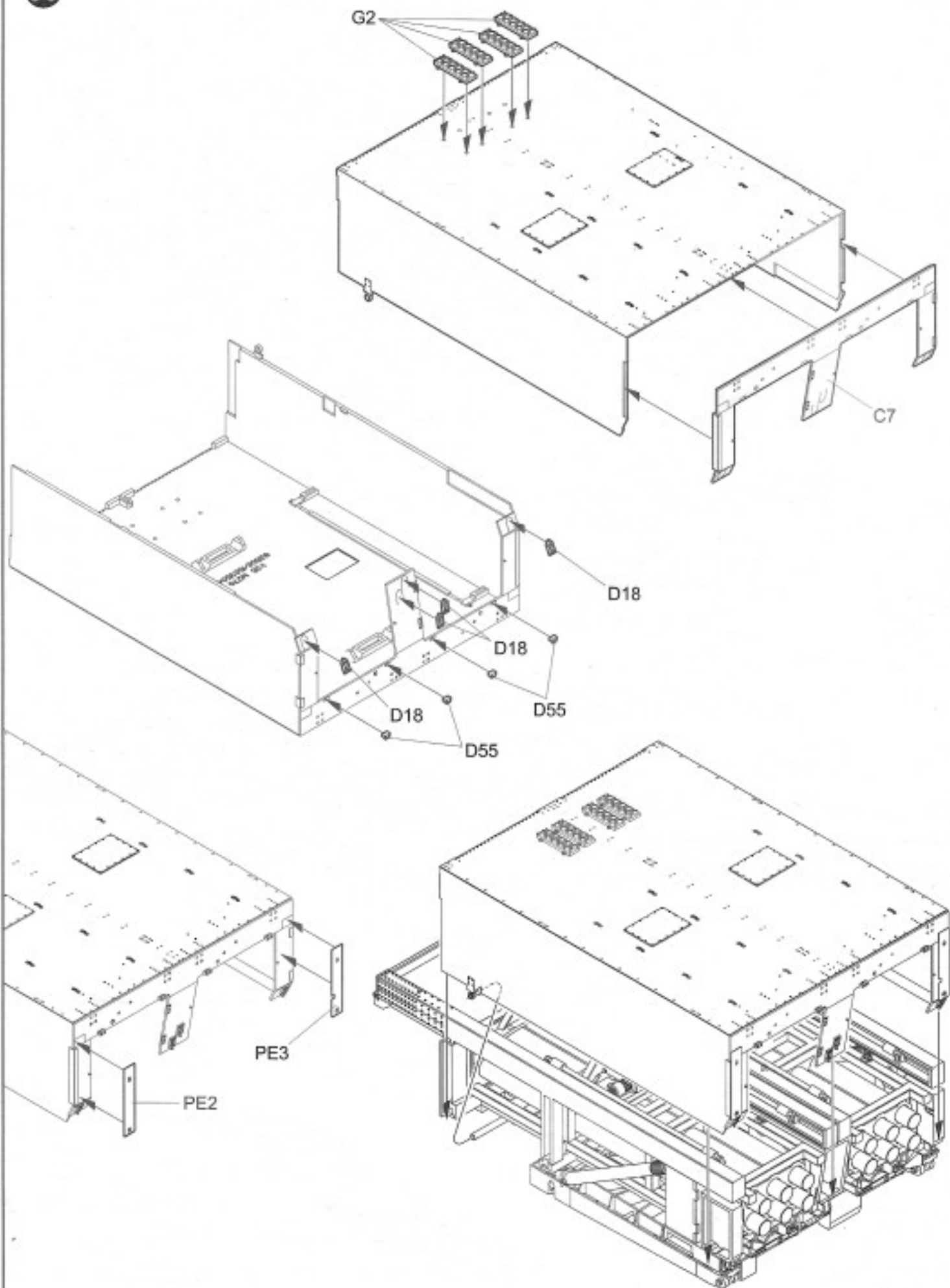
31



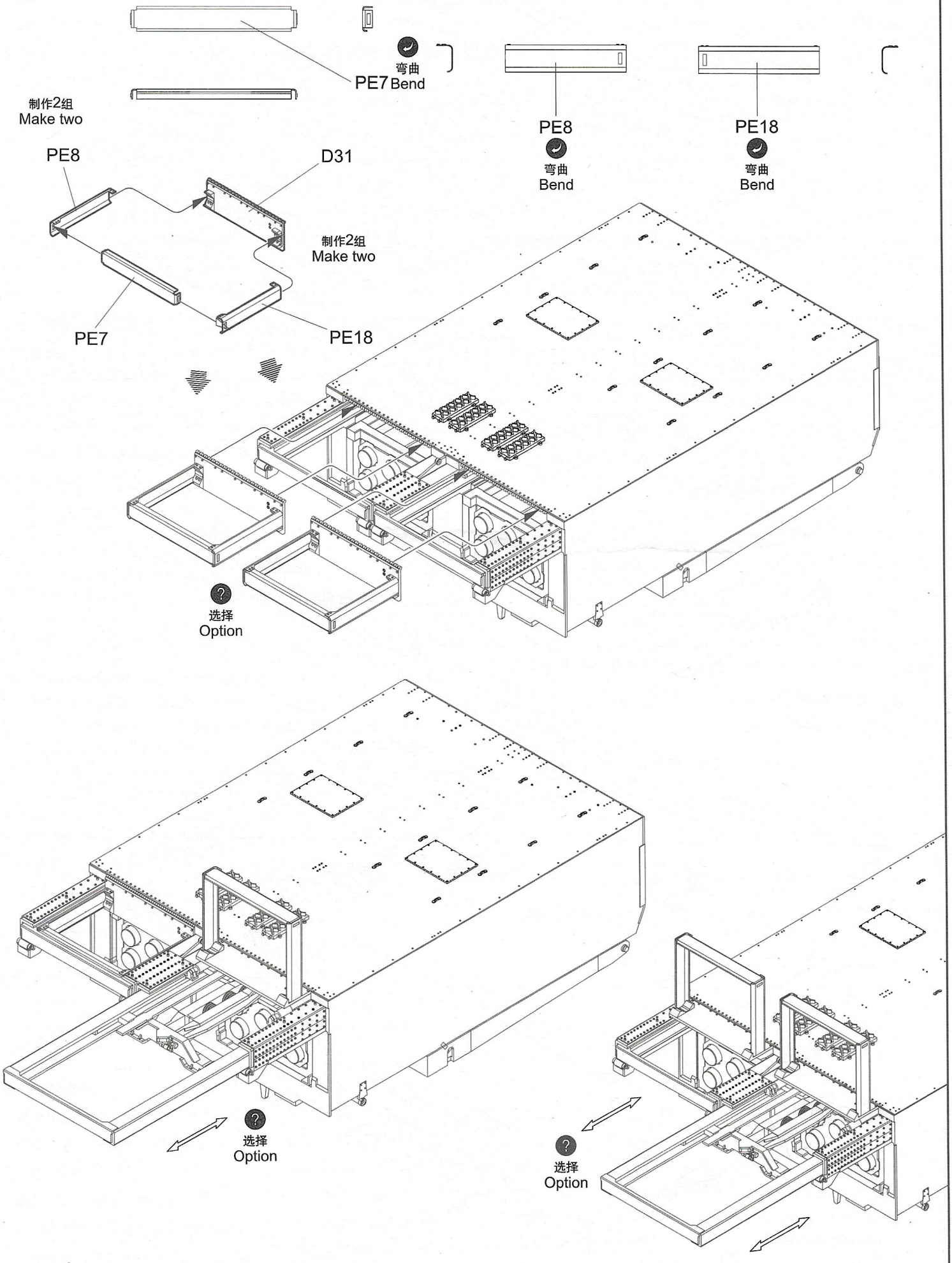
32

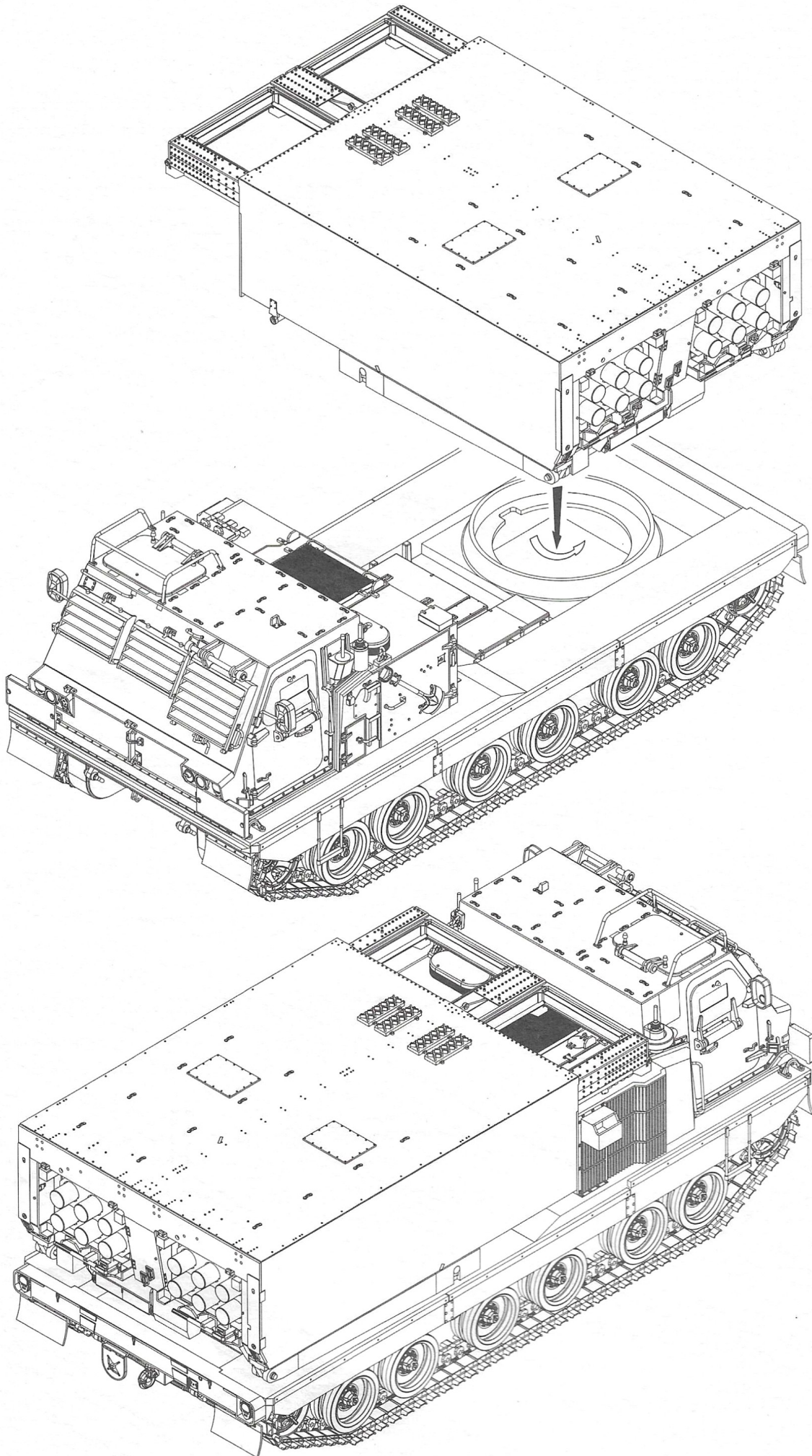


33



34





1/35 scale 01046

# Mittlere Artillerie Raketen System (MARS)



100% NEW TOOLING!



M270 MLRS (M270 Multiple Launch Rocket System, often abbreviated as M270 MLRS) is a feature armored self-propelled multiple rocket launcher weapon system. Since 1983, the U.S. military first used the M270 rocket launchers, NATO member states have begun to adopt a number of M270, and gradually become NATO standard weapons. After the United States and European countries produced a total of approximately 1,300 units of M270 and about 700,000 branch rocket. When in 2003, after delivery of the last batch of the Egyptian Army M270, M270 officially discontinued. Among them, the German army active duty 50 vehicles, 202 vehicles used for backup.

The kit consists of 816 parts on 29 sprues, 24 parts photo-etched and 2 copper tube.

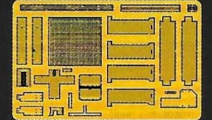
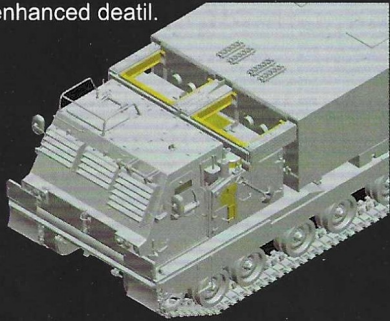
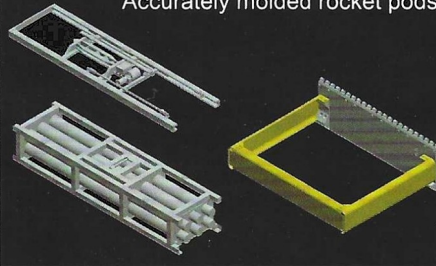


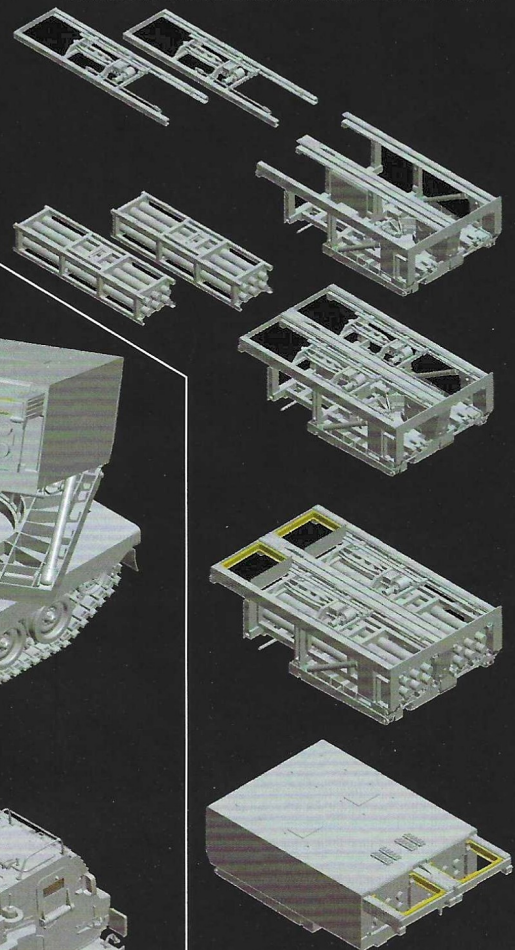
Photo-etched parts provided for enhanced detail.



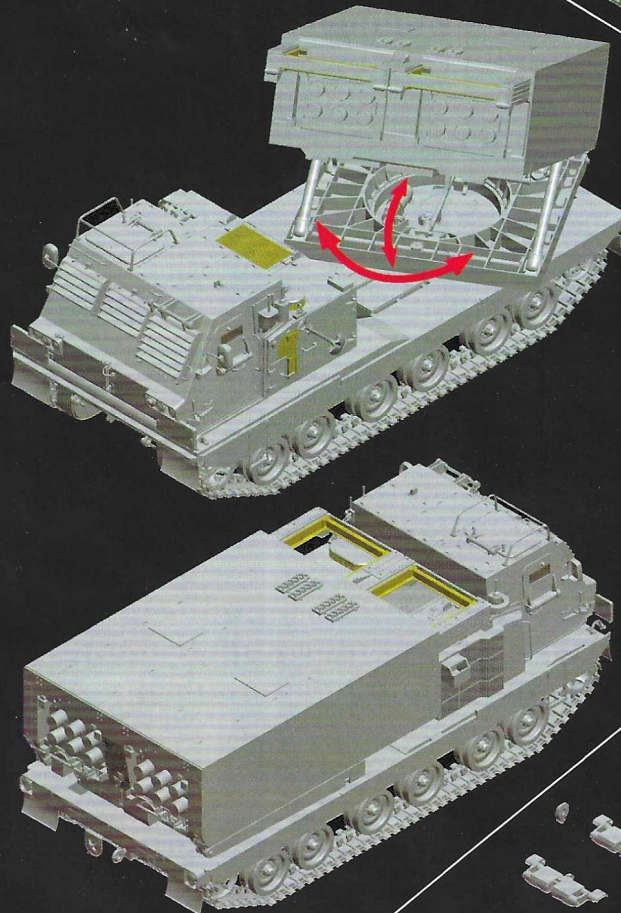
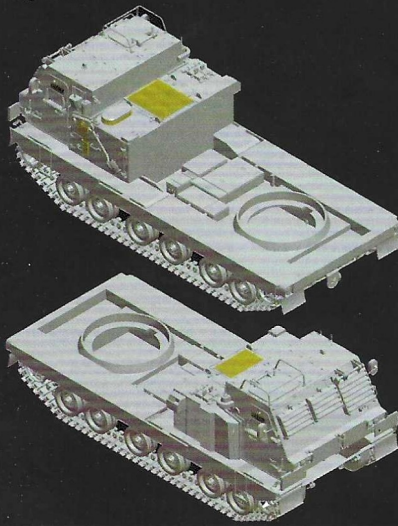
Accurately molded rocket pods.



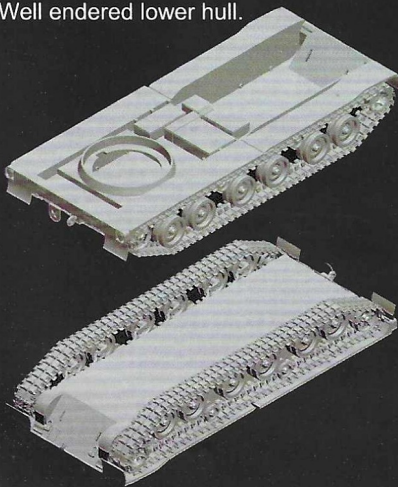
Accurate M269 Loader Launcher Module.



M993 chassis well rendered and shown to good effect.



Well ended lower hull.



Individual track links provided.



Separately molded and detailed running gear.



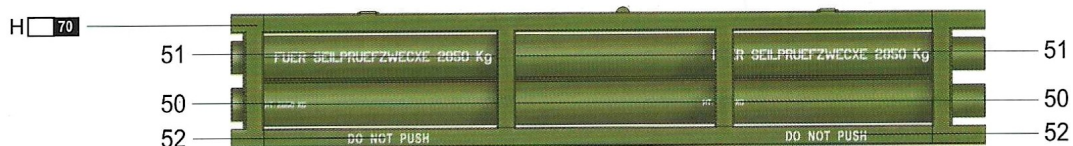
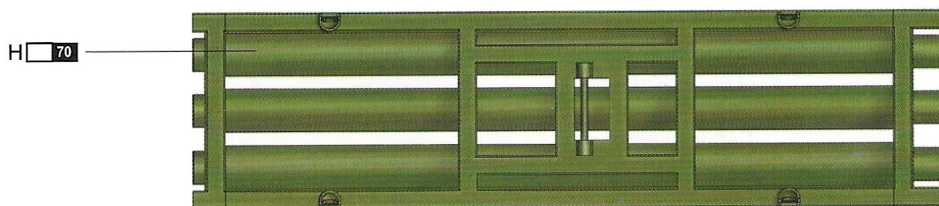
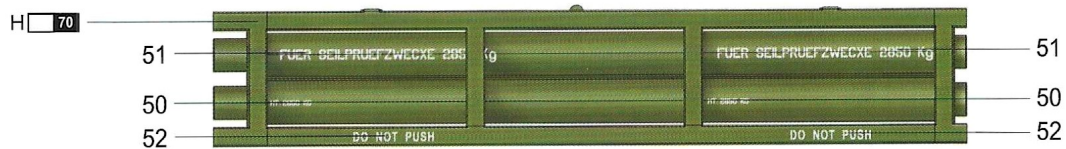
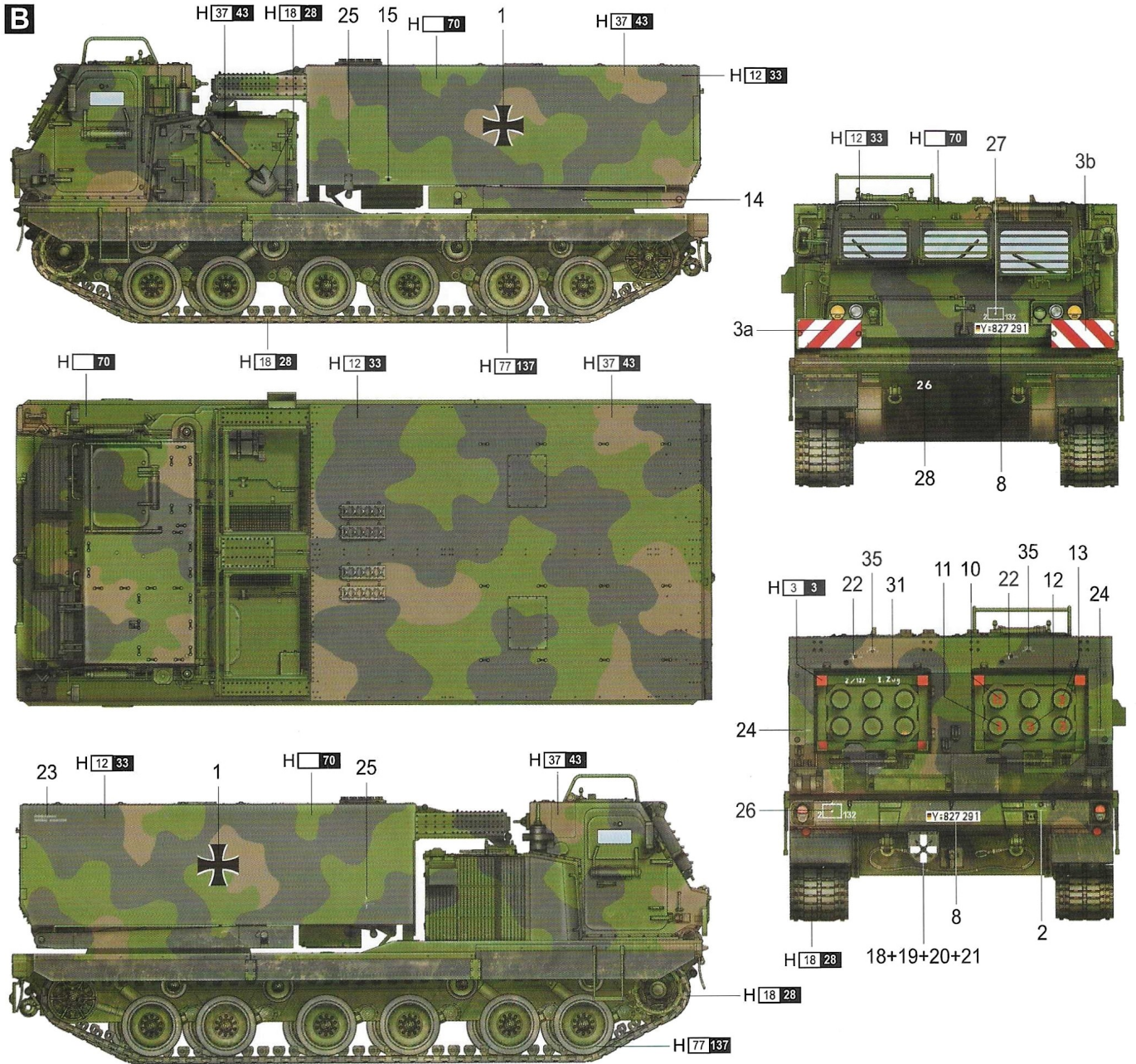
Trumpeter\_Hobbyboss
   
 Trumpeter\_Hobbyboss
   
 trumpeter&hobbyboss fan club
   
 小号手模型

# 涂装同标贴指示

## Painting & Marking guide

PAINT REFERENCE COLOUR					
Color	Mr.Hobby	Vallejo	Model Master	Tamiya	Humbrol
Tire Black 胎黑色	H 77 137	—	—	—	—
Steel 黑铁色	H 18 28	864	1402	—	—
Dark Green 战车绿	H 70	—	—	—	—

PAINT REFERENCE COLOUR					
Color	Mr.Hobby	Vallejo	Model Master	Tamiya	Humbrol
Red 红色	H 3 3	908	1503	X7	19
Flat Black 消光黑	H 12 33	950	1749	XF1	33
Wood Brown 木棕色	H 37 43	983	1701	—	186



H X AQUEOUS HOBBY COLOUR

X MR COLOUR

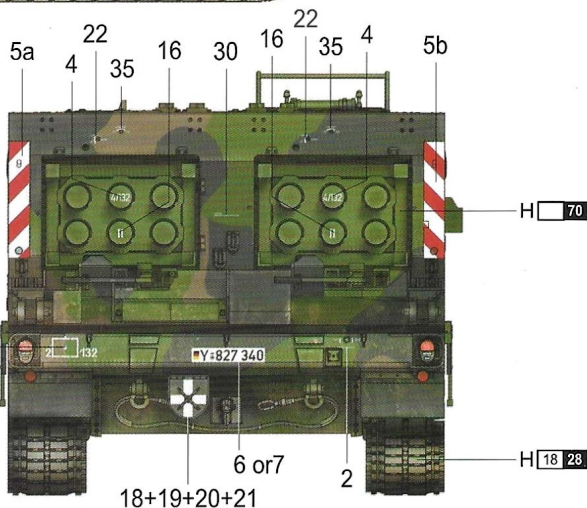
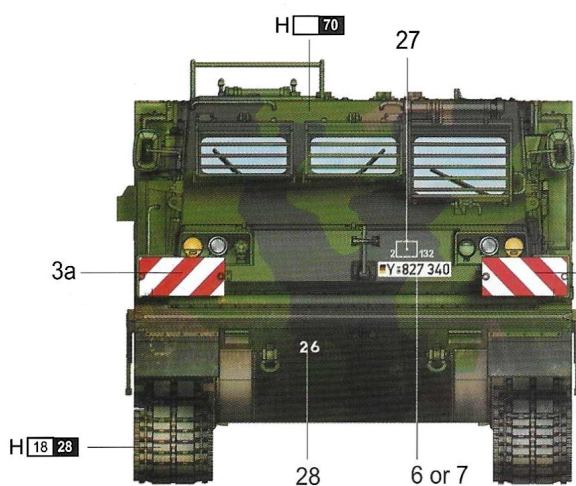
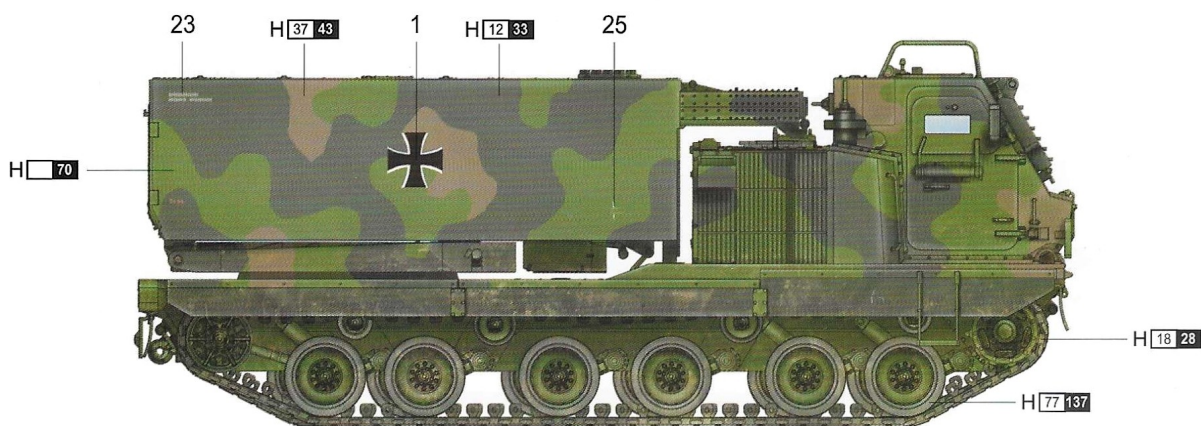
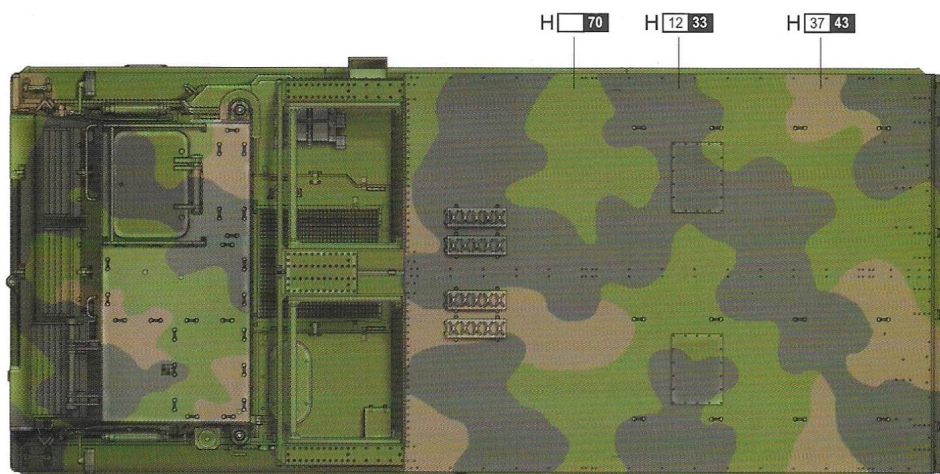
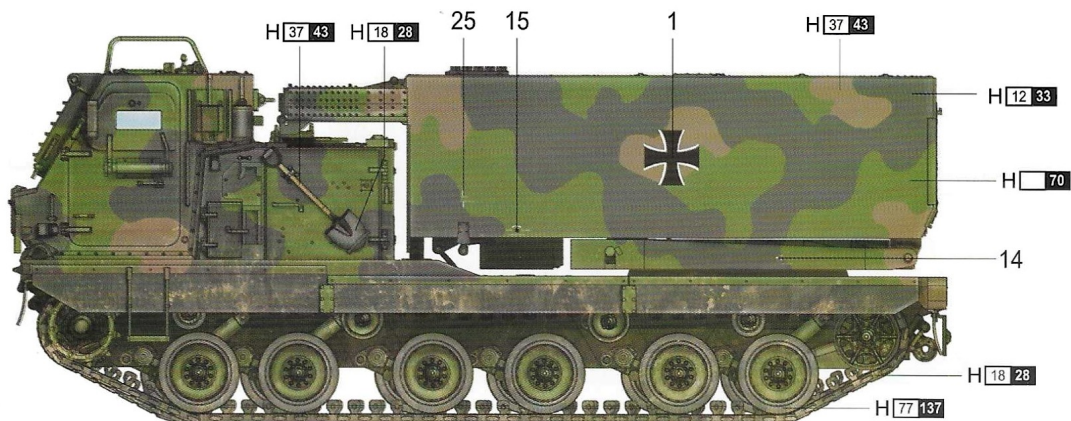
# 涂装同标贴指示

## Painting & Marking guide

PAINT REFERENCE COLOUR					
Color	Mr.Hobby	Vallejo	Model Master	Tamiya	Humbrol
Tire Black 胎黑色	H 77 137	—	—	—	—
Steel 黑铁色	H 18 28	864	1402	—	—
Dark Green 战军绿	H 37 43	—	—	—	—

PAINT REFERENCE COLOUR					
Color	Mr.Hobby	Vallejo	Model Master	Tamiya	Humbrol
Red 红色	H 3 3	908	1503	X7	19
Flat Black 消光黑	H 12 33	950	1749	XF1	33
Wood Brown 木棕色	H 37 43	983	1701	—	186

**A**



H X AQUEOUS HOBBY COLOUR

X MR COLOUR