



KIT 4345

1/72 SCALE 1/72 ECHELLE
ESCALA 1/72

A-7 Corsair II

REVELL, INC. Des Plaines, IL Copyright © 1987 All rights reserved. Made in U.S.A.

4345-4200

The LTV Corsair II was designed by the successor company to Vought, builder of the famous Corsair WW II fighter. The new Corsair was developed in 1964, to replace the aging A-4 Skyhawk. To simplify the design and reduce development time, LTV revised the shape of their F-8 Crusader supersonic carrier fighter into a subsonic attack bomber. The success of this novel approach is reflected in the fact that not only the U.S. Navy ordered the plane, but it also is flown by the U.S. Air Force, the Air National Guard, and it has been bought by Greece and Portugal.

The A-7 was used in Vietnam where its ability to carry its own weight in ordnance proved useful. After dropping its bombs, the Corsair II is as nimble as a fighter. It is cannon-armed, and even carries a pair of AIM-9 Sidewinder missiles.

The A-7 Corsair II can achieve a speed of nearly 700 mph, but it is not intended for supersonic operations. Instead, it was developed specifically as a ground-attack aircraft, although the U.S. Air Force does operate their Corsairs as fighters.

Your Revell model of the A-7 carries the markings of a Corsair II from VA-83, operating from the USS Forrestal.



DO NOT CEMENT
NE PAS COLLER
NO USE PEGAMENTO



OPTIONAL PARTS
PIECES EN OPTION
PIEZAS OPCIONALES



REPEAT SEVERAL TIMES
À REPETER PLUSIEURS FOIS
REPITA VARIAS VECES



DECAL (DIP IN WATER)
DECALCOMANIE (A PLONGER DANS L'EAU)
DECALCOMANIA (MOJE CON AGUA)

READ THIS BEFORE YOU BEGIN

- Study the assembly drawings.
- Each plastic part is identified by a number.
- Check the fit of each piece before cementing in place.
- Do not use too much cement to join parts.
- Use only cement for polystyrene plastic.
- Model may be painted to match photos on box.
- Allow paint to dry thoroughly before handling parts.
- Scrape paint from areas to be cemented.
- For better paint and decal adhesion, wash the plastic parts in a mild detergent solution. Rinse and let air dry.

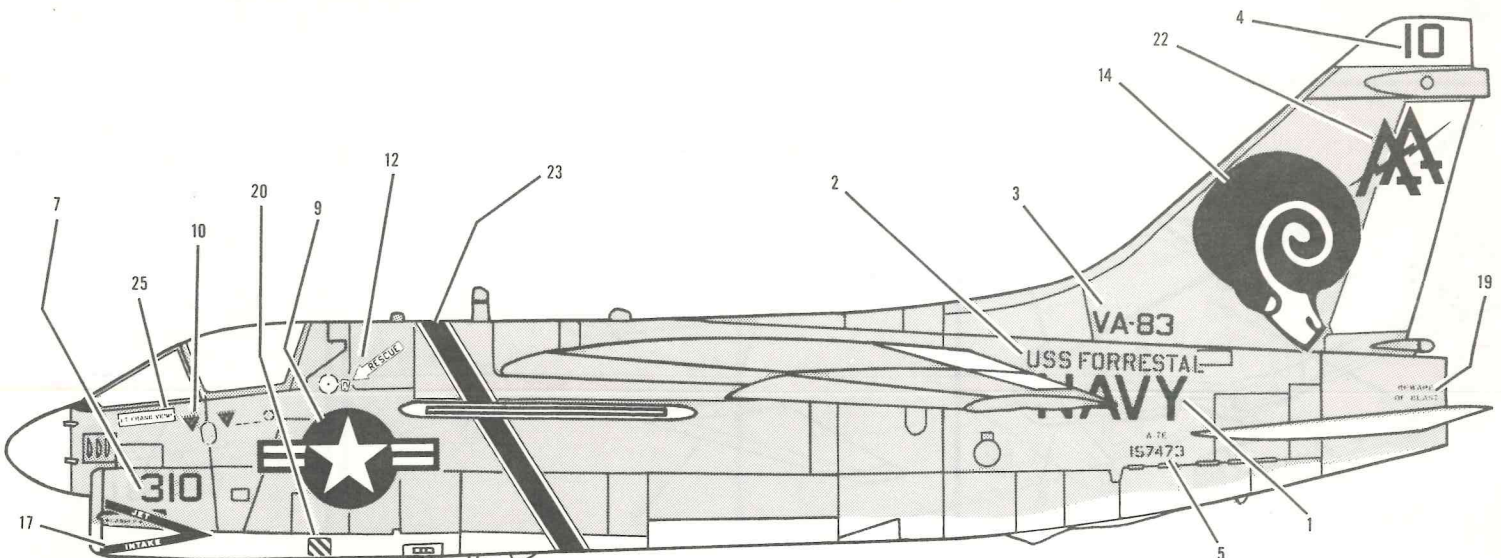
LISEZ CE QUI SUIT AVANT DE COMMENCER LE MONTAGE

- Etudier les schémas d'assemblage.
- Chaque pièce plastique porte un numéro d'identification.
- Contrôler que chaque pièce soit bien conforme avant de la coller à sa place.
- N'utilisez pas trop de colle pour réunir les pièces.
- Utilisez uniquement une colle spéciale pour polystyrène.
- Le modèle peut être peint conformément aux photos sur la boîte.
- Laissez sécher la peinture complètement, avant de manipuler les pièces.
- Grattez la peinture sur les surfaces devant être collées.
- Pour assurer la meilleure adhésion possible de la peinture et des décalcomanies, lavez les pièces de plastique avec une légère solution savonneuse. Rincer et laisser sécher à l'air.

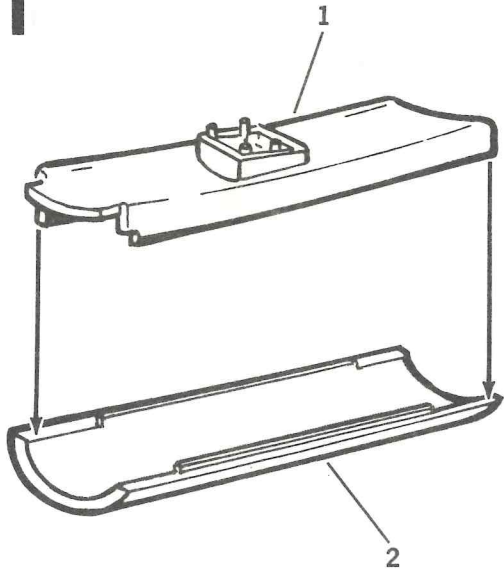
LEA ESTO ANTES DE EMPEZAR

- Estudie los dibujos de ensamblaje.
- Cada pieza de plástico se identifica por un número.
- Verifique que cada pieza encaje bien antes de pegar en posición.
- No use demasiado pegamento para unir las piezas.
- Use únicamente pegamento para plástico de poliestirina.
- El modelo puede pintarse de acuerdo con las fotografías de la caja.
- Permita que se seque la pintura completamente antes de tocar las piezas.
- Raspe la pintura de las superficies que serán pegadas.
- Para una mejor fijación de la pintura y de las calcomanías, lávense las piezas plásticas en una solución de detergente suave. Enjuáguese y déjense secar al aire.

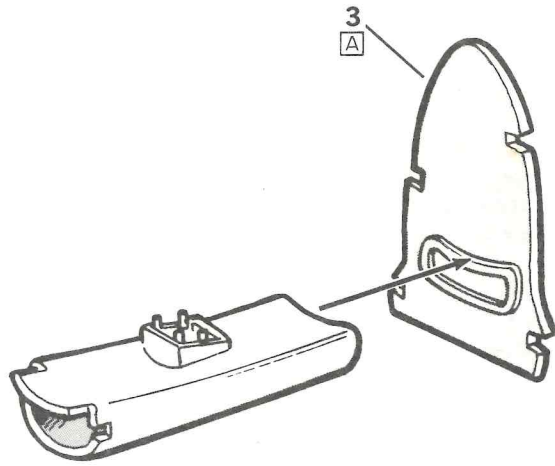
A	FLAT BLACK	NOIR TERNE	NEGRO APAGADO
B	SATIN WHITE	BLANC	BLANCO
C	ALUMINUM	ALUMINIUM	ALUMINIO
D	BLUE	BLEU	AZUL
E	INSIGNIA RED	ROUGE	ROJO
F	OLIVE GREEN	VERT OLIVE	VERDE OLIVA
G	GUNMETAL	METALLIC	METALICO
H	FLAT GULL GRAY	GRIS CLAIR	GRIS CLARO



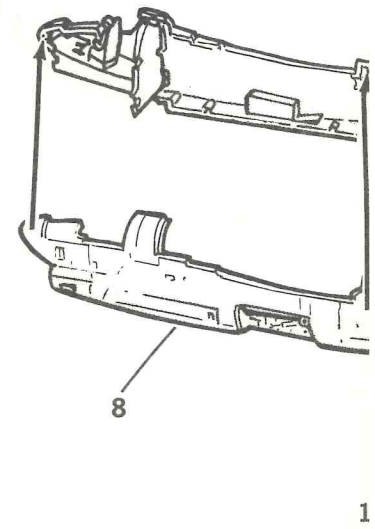
1



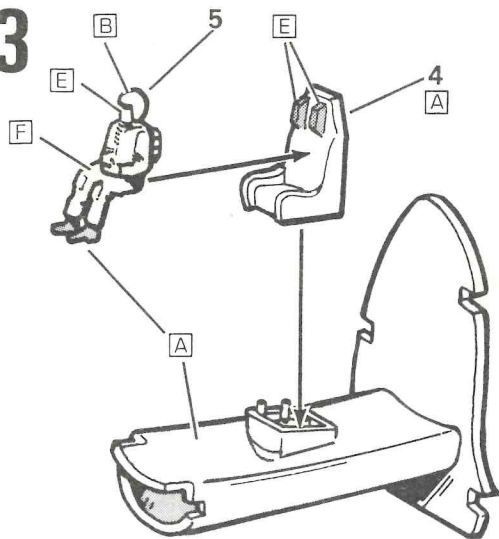
2



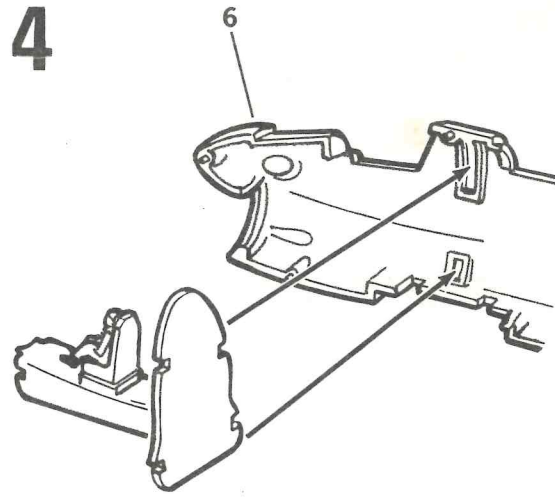
7



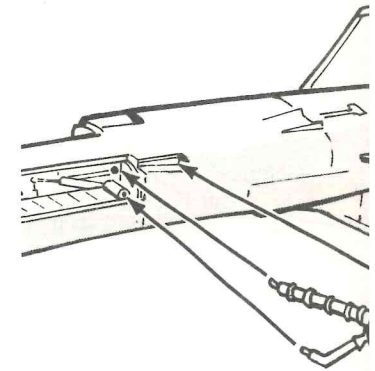
3



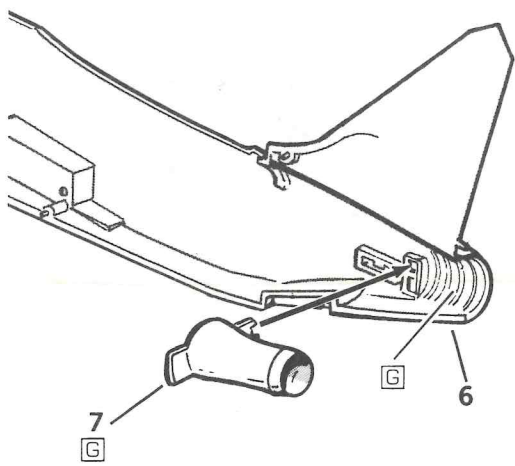
4



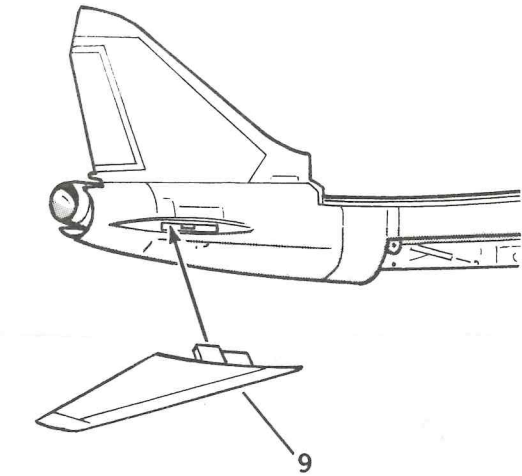
9



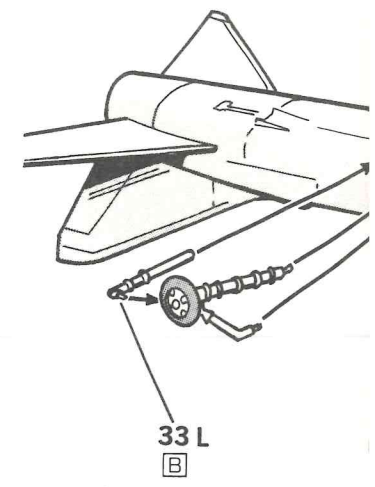
5



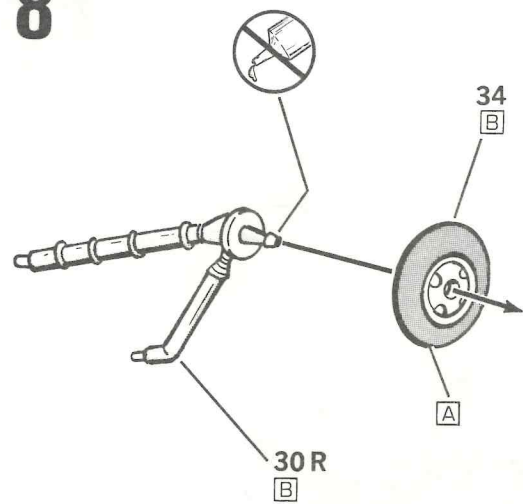
6



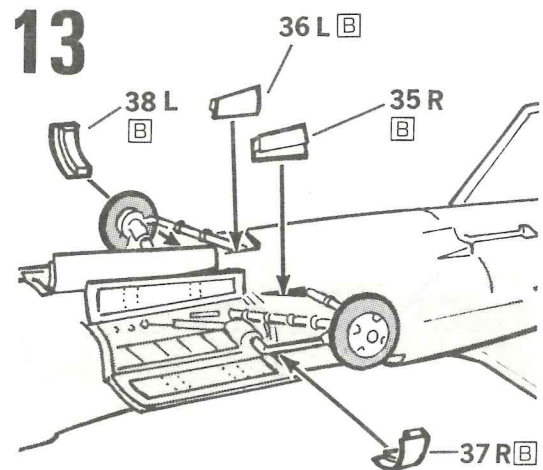
11



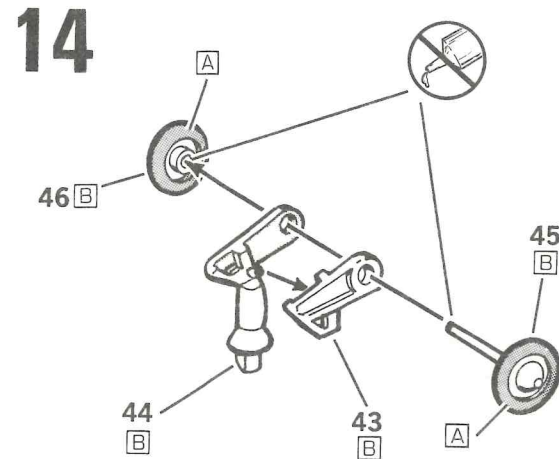
8



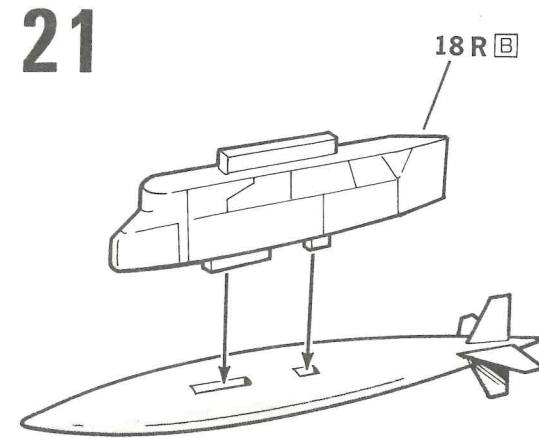
13



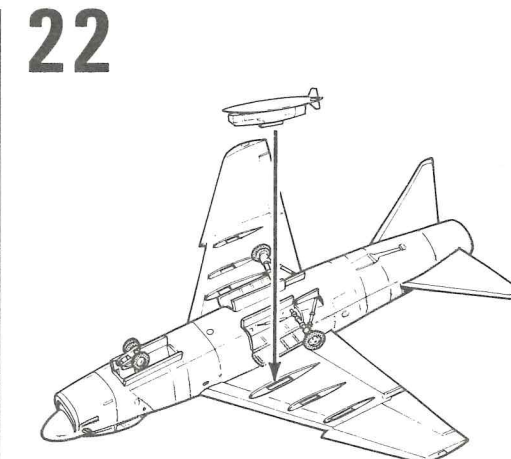
14



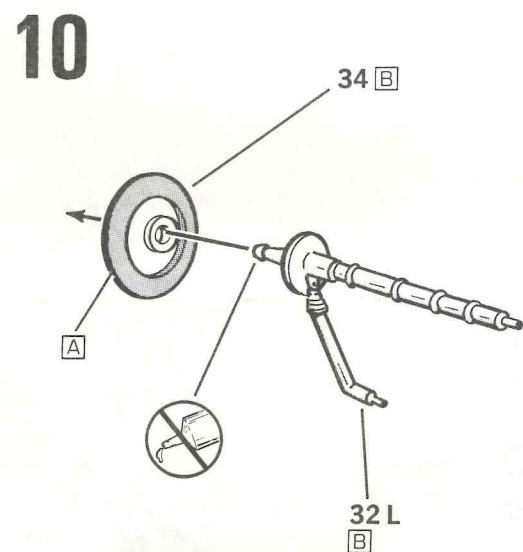
21



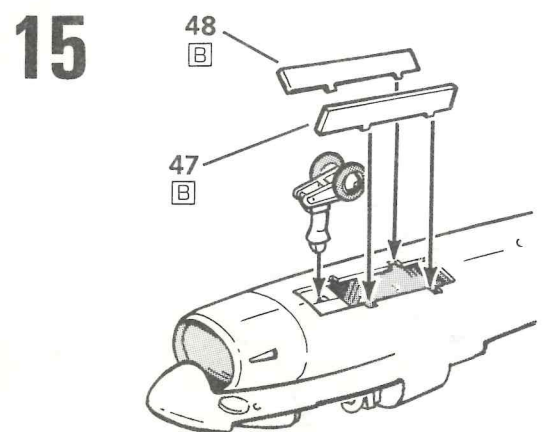
22



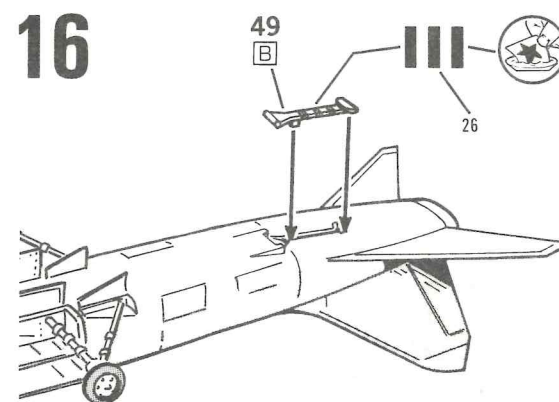
10



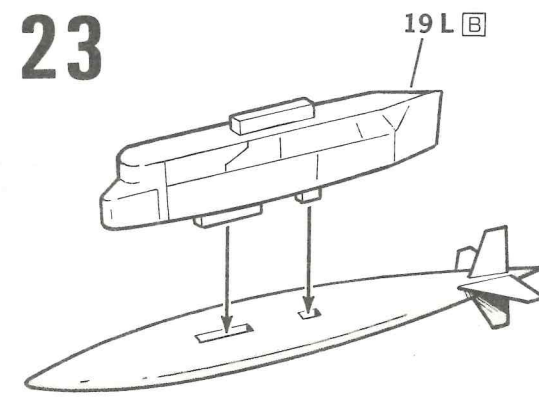
15



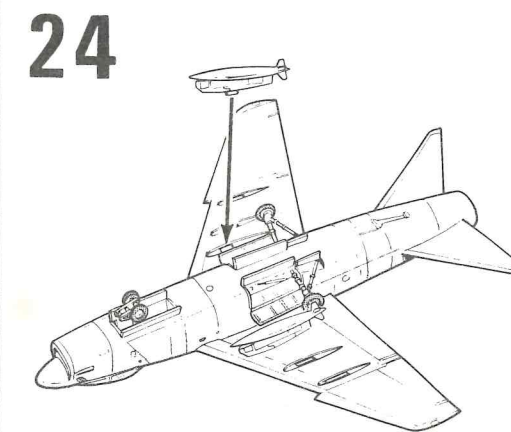
16



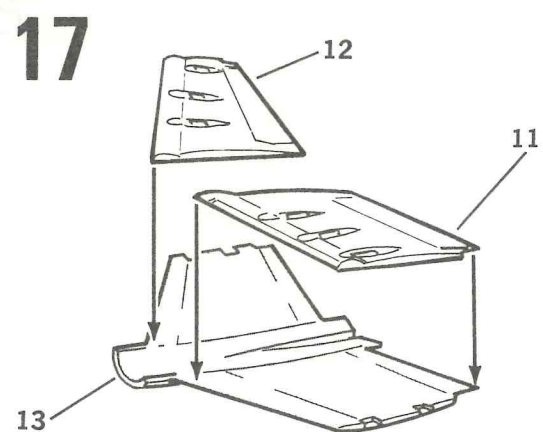
23



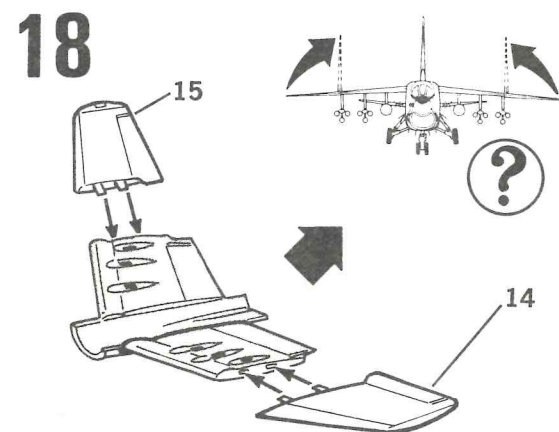
24



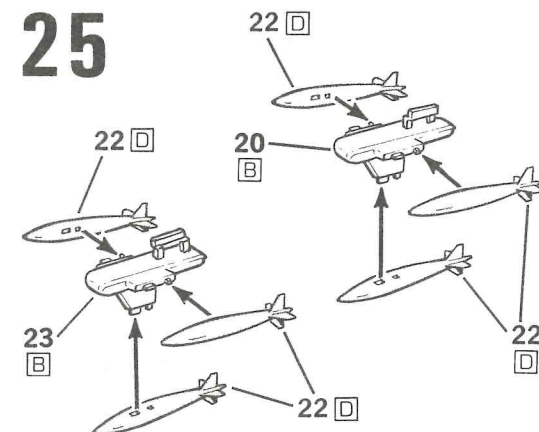
17



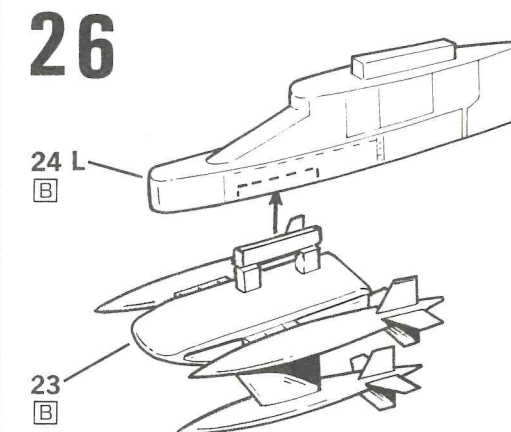
18



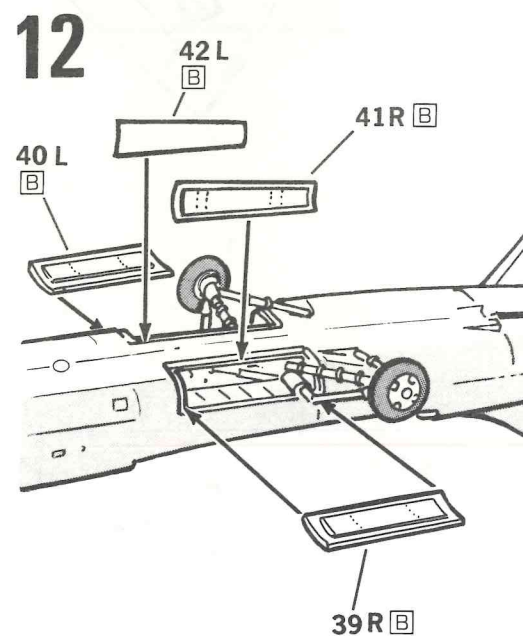
25



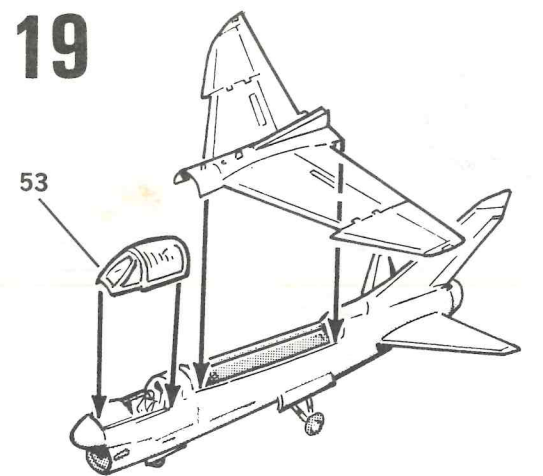
26



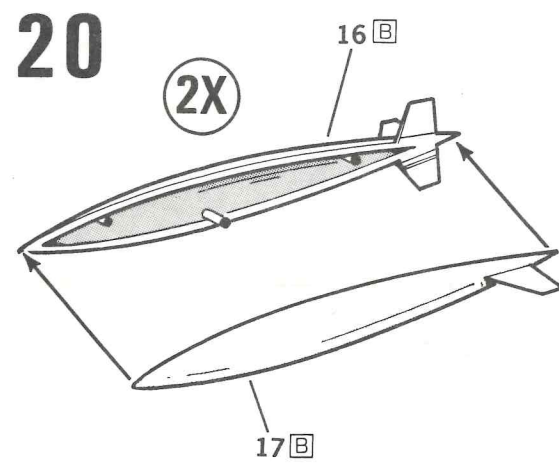
12



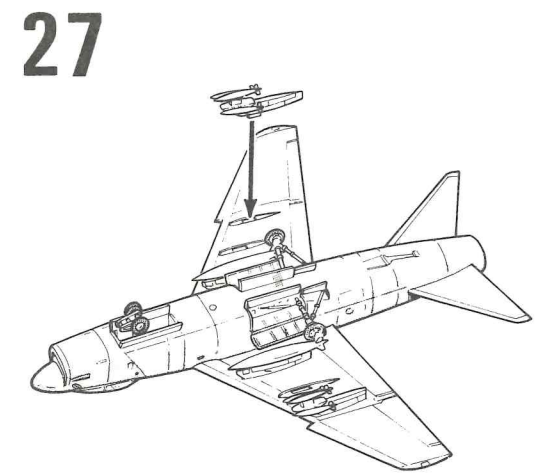
19



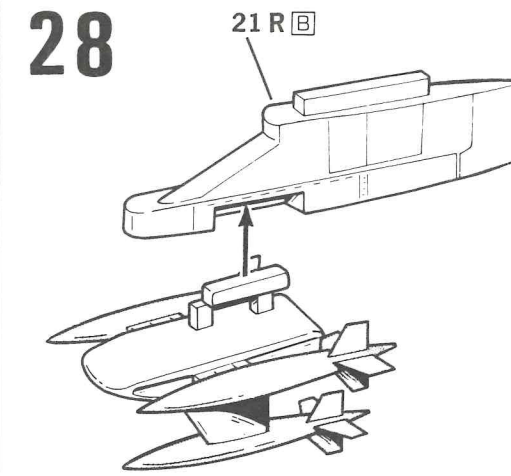
20



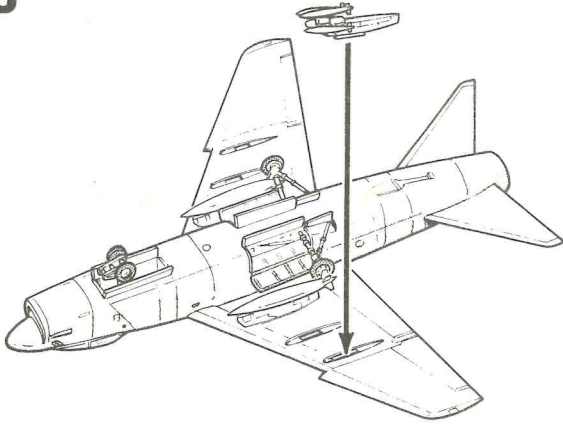
27



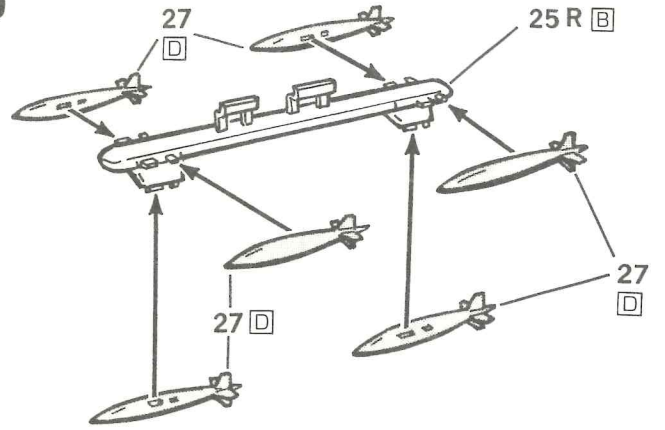
28



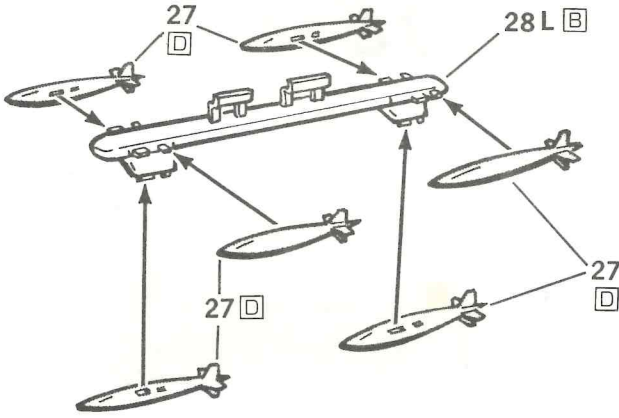
29



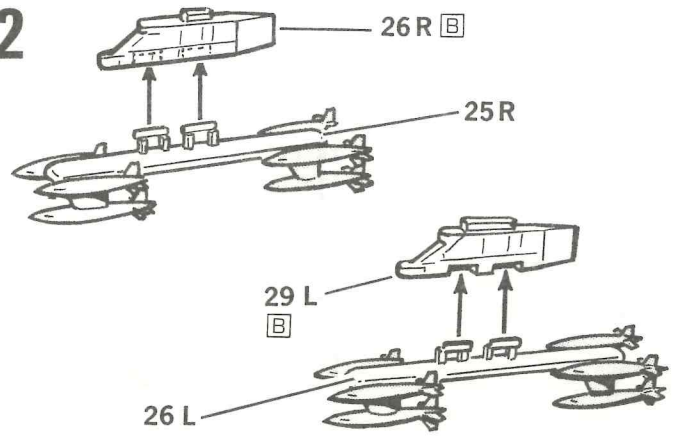
30



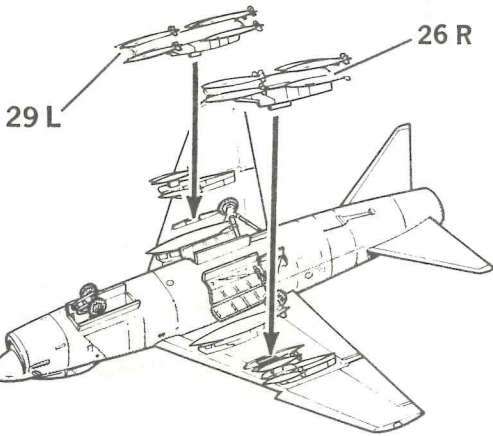
31



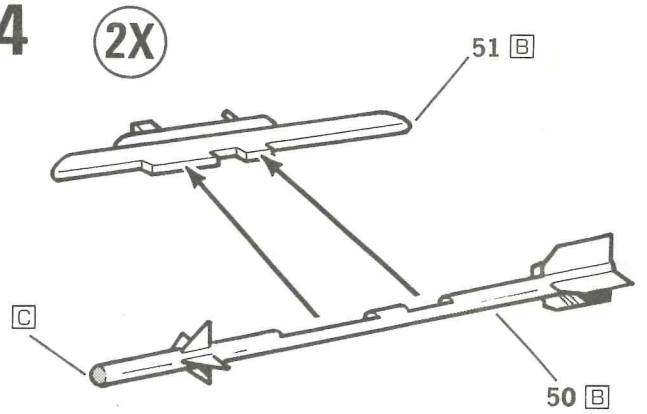
32



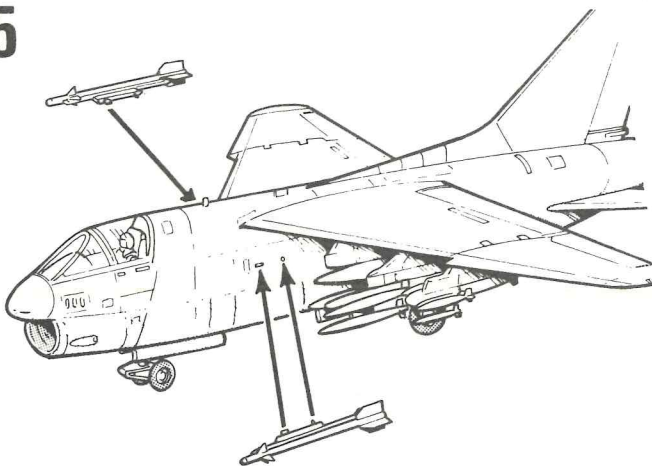
33



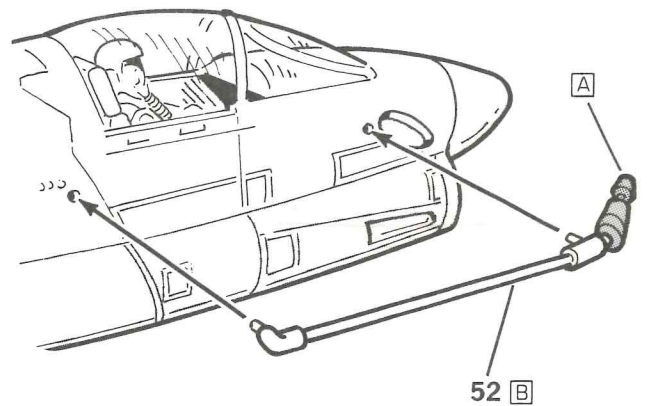
34



35



36



FEDERAL STANDARD COLOR NUMBERS

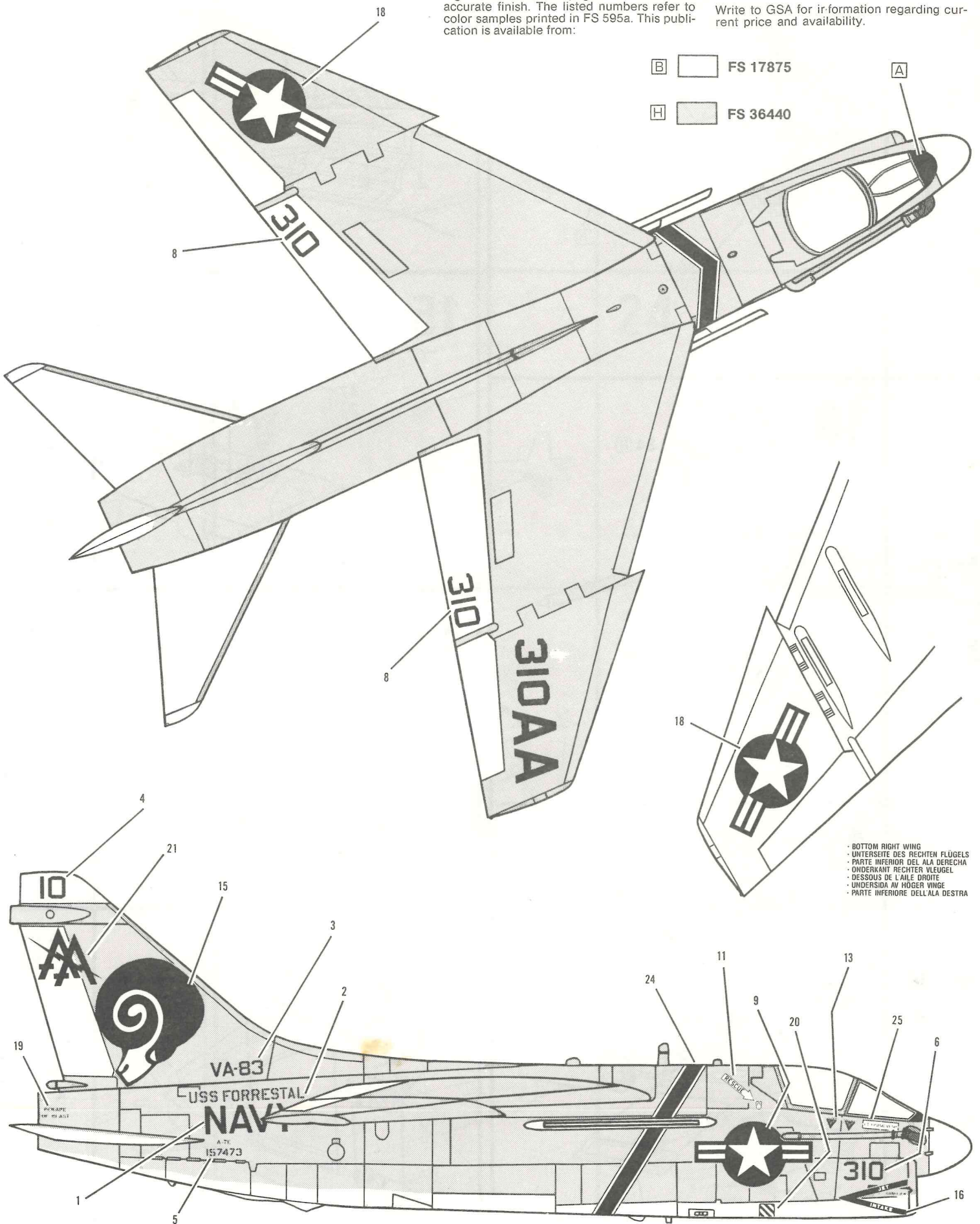
The box top can be used as a guide to paint your model, or you may wish to use the painting information on this page to achieve a more accurate finish. The listed numbers refer to color samples printed in FS 595a. This publication is available from:

GSA SPECIFICATIONS
7th & D Streets S.W.
Room 6039
Washington, D.C. 20407

Write to GSA for information regarding current price and availability.

[B]  FS 17875

[H]  FS 36440



· BOTTOM RIGHT WING
· UNTERSEITE DES RECHTEN FLÜGELS
· PARTE INFERIOR DEL ALA DERECHA
· ONDERKANT RECHTER VLEUGEL
· DESSOUS DE L'AILE DROITE
· UNDERSIDA AV HÖGER VINGE
· PARTE INFERIORE DELL'ALA DESTRA