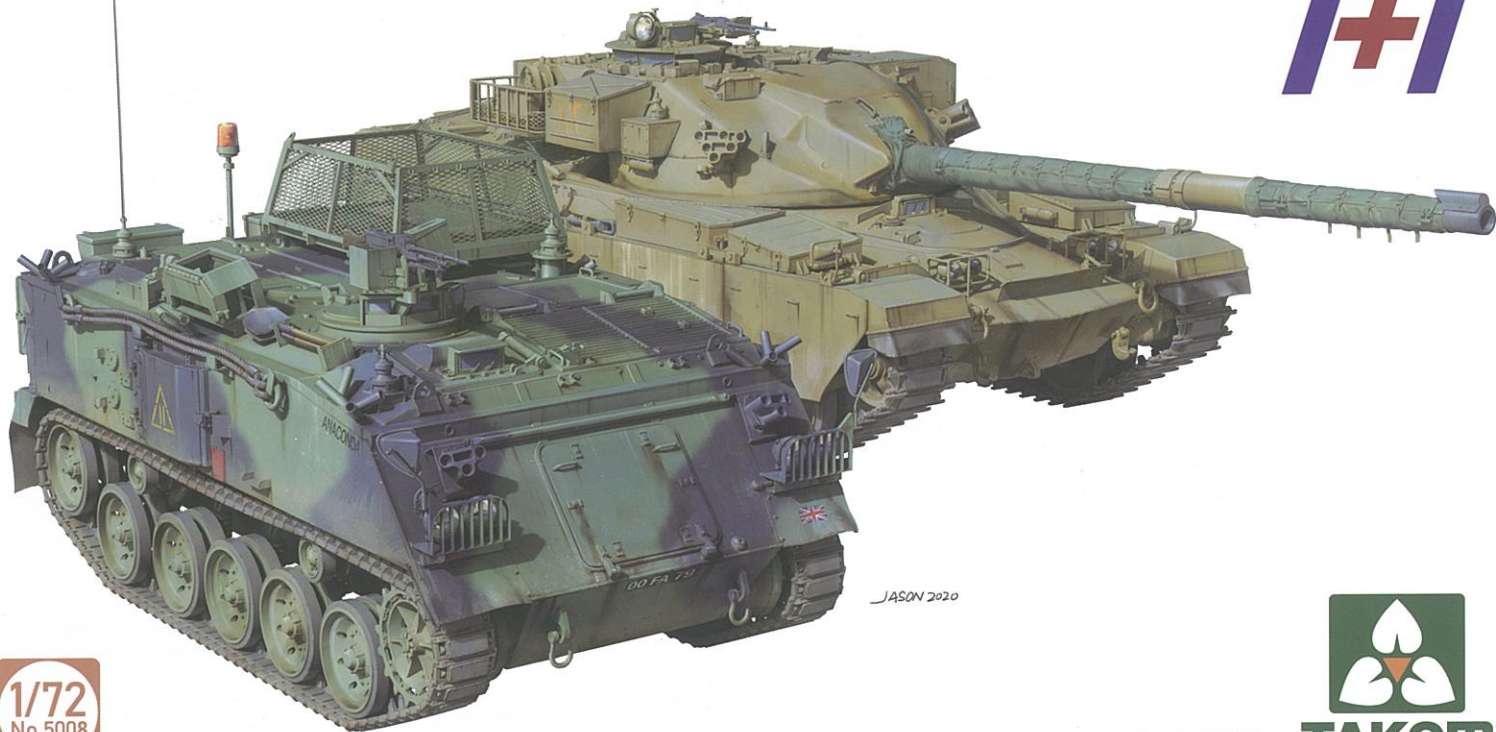


# FV 432 MK.2/1 CHIEFTAIN MK.5

1+1



1/72  
No.5008

03.02.5008

  
**TAKOM**

# READ BEFORE ASSEMBLY

## CAUTION

- Read carefully and fully understand the instructions before commencing assembly. A supervising adult should also read the instructions if a child assembles the model.
- When assembling this kit, tools including knives used. Extra care should be taken to avoid personal injury.
- Keep out of reach of small children. Children must not be allowed to suck any part, or pull vinyl bag over their heads.



Be Careful



Instant Glue for Metal



Optional



Do Not Cement

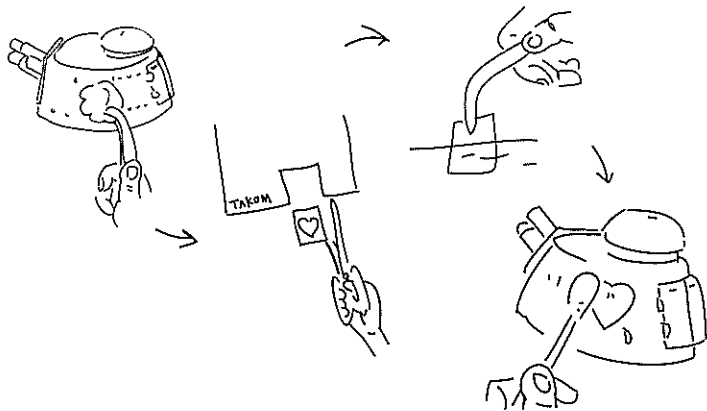
## PAINTS REQUIRED

Color info and profiles by Mig Jimenez

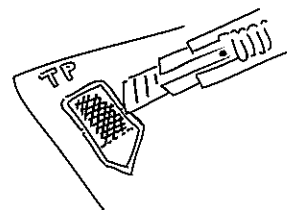
Rubber & Tires	Dark Rust	Gun Metal	Crystal Glass
Crystal Smoke	Crystal Periscope Green	Warm Sand-Yellow	FS 34075(85 641)
NATO Green	Yellow Gray	Matt Black	Old Wood
Dull Green	Crystal Red	Crystal Orange	Silver
U.S Modern Vehicles	Satin Black		

## APPLYING DECALS

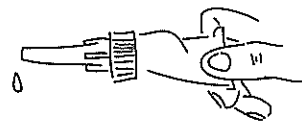
1. Clean the model surface with a wet cloth.
2. Cut out each decal design from sheet, and dip it in tepid water for 15~20 sec.
3. Hold the backing sheet edge and slide decal onto the model.
4. Move decal into position by wetting decal with finger.
5. Press decal gently down with a soft cloth until excess water and air bubbles are gone.



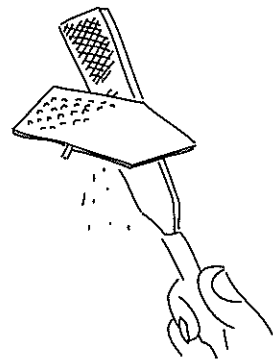
## REMOVING PE



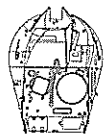
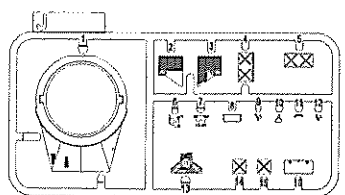
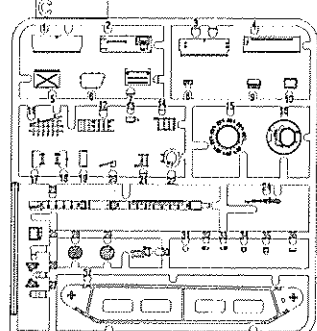
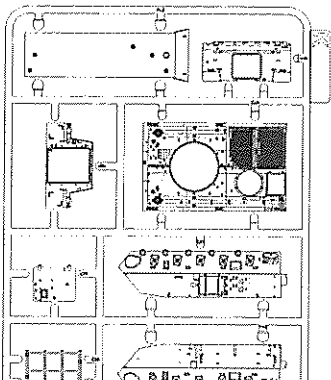
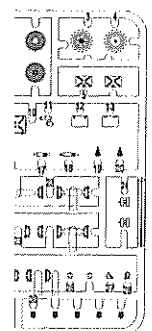
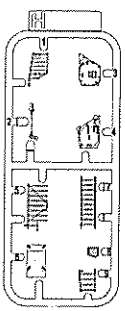
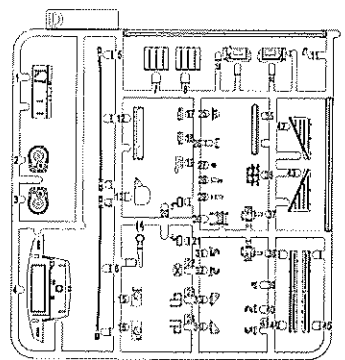
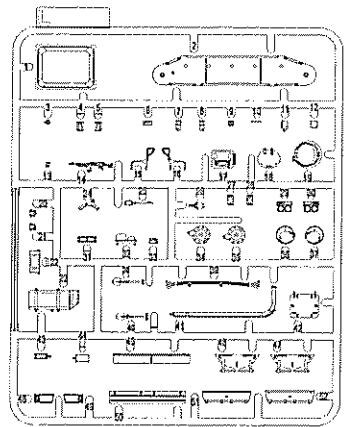
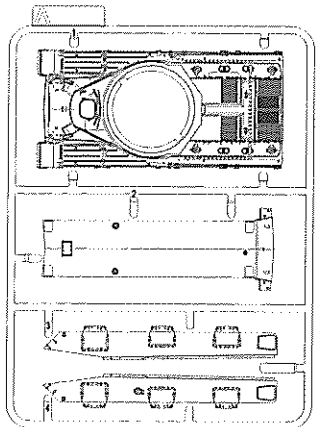
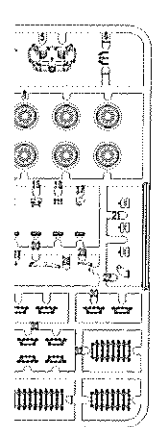
Be careful not to hurt when removing PE parts.



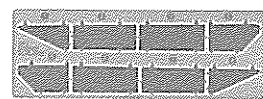
Secure using instant glue (not included).



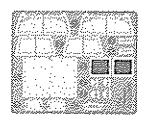
Finish using file.



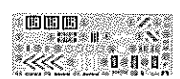
Turret



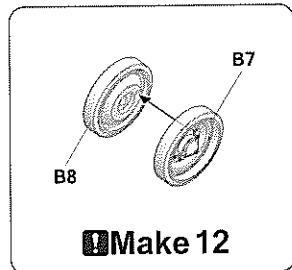
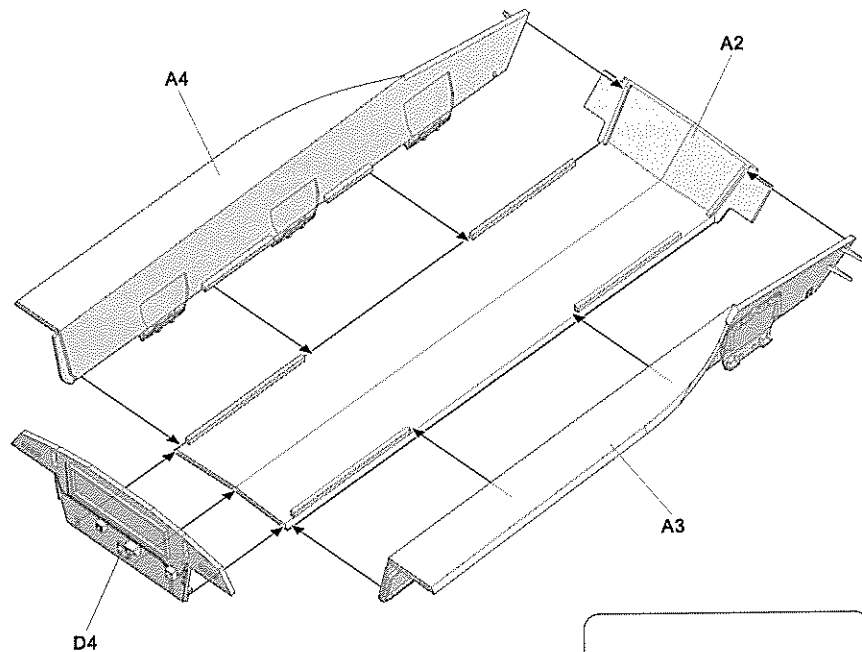
TPa



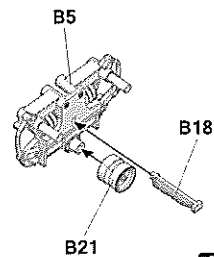
TPb



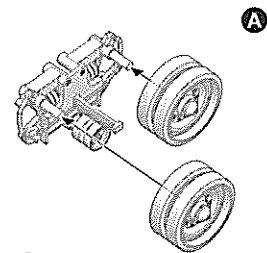
1



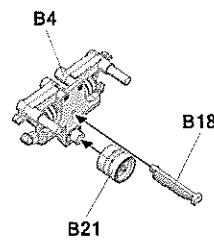
2



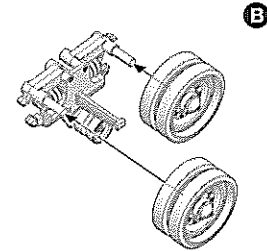
Make 2



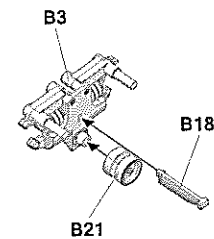
A



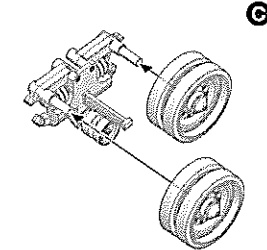
Make 2



B

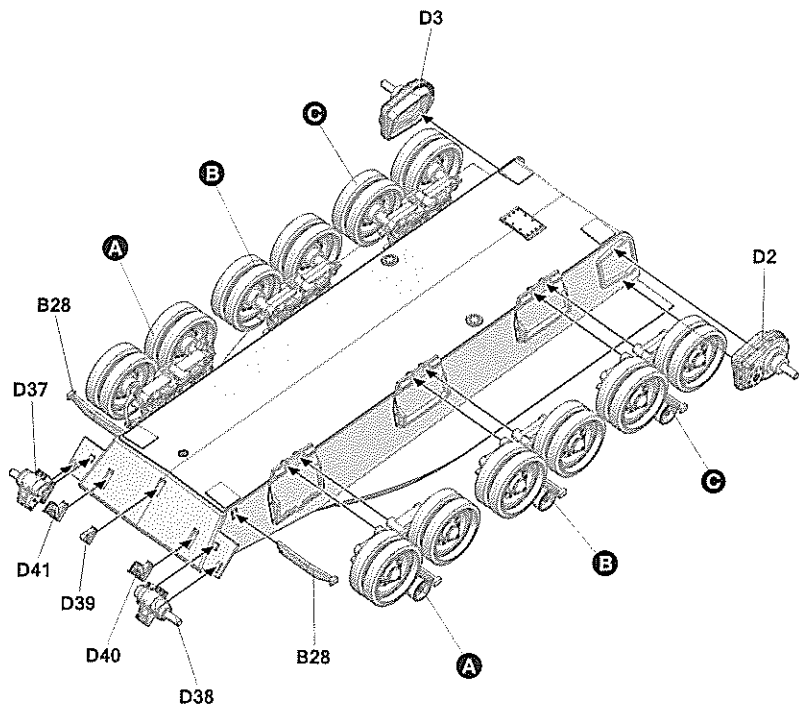
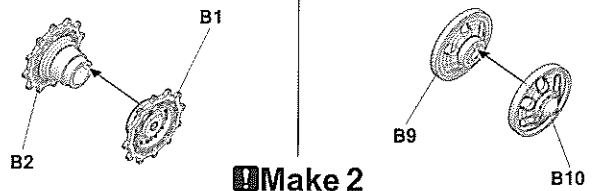
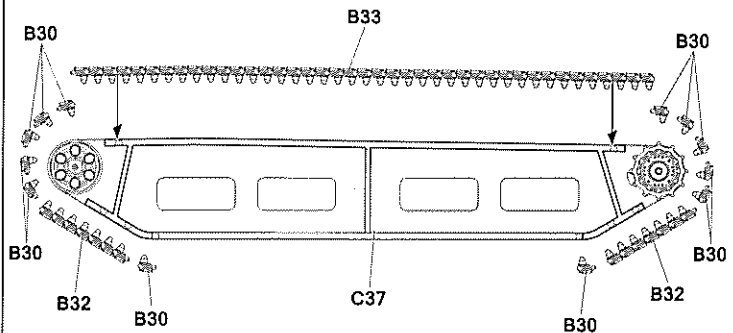
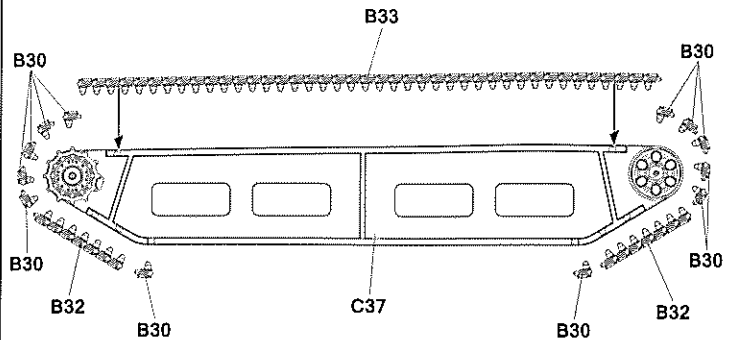


Make 2

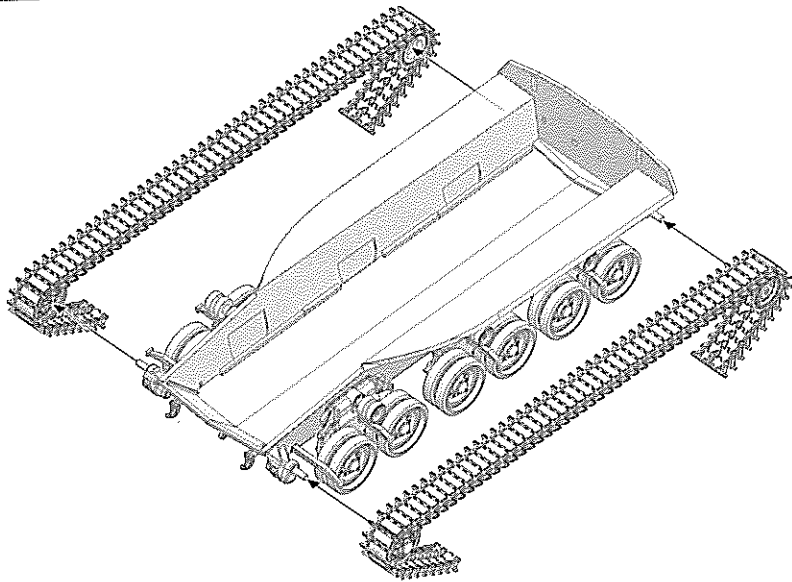


C

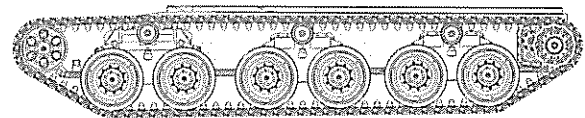
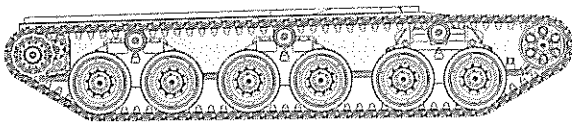
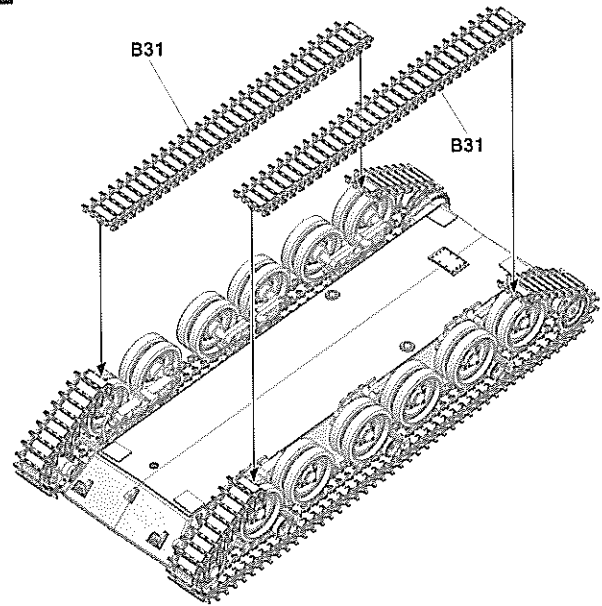
3

**3****4****Make 2****4**

5

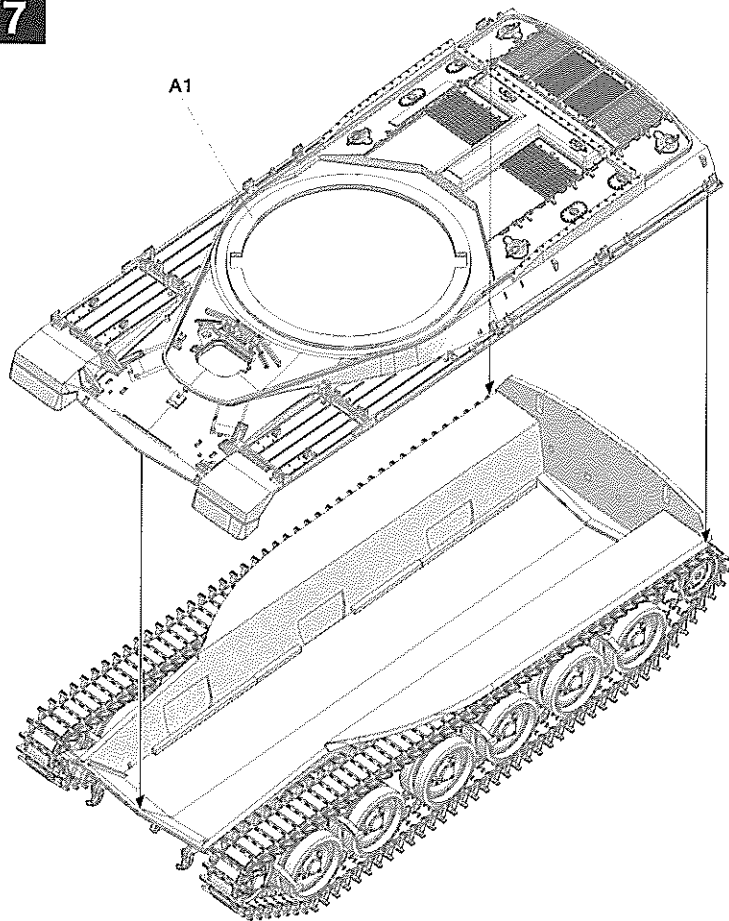


6

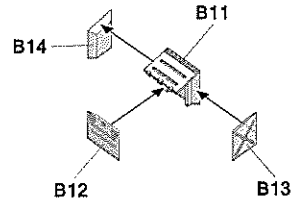
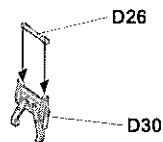
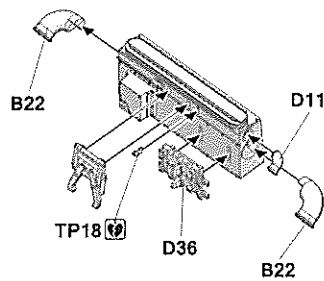
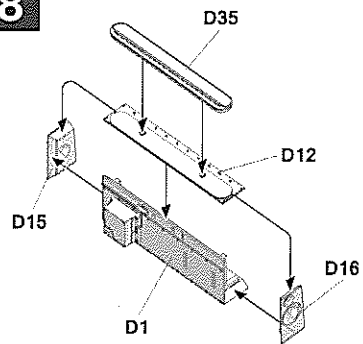


5

7

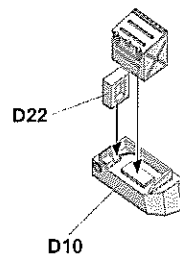


8

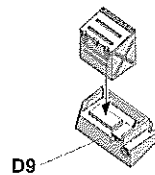


**Make 2**

**A**

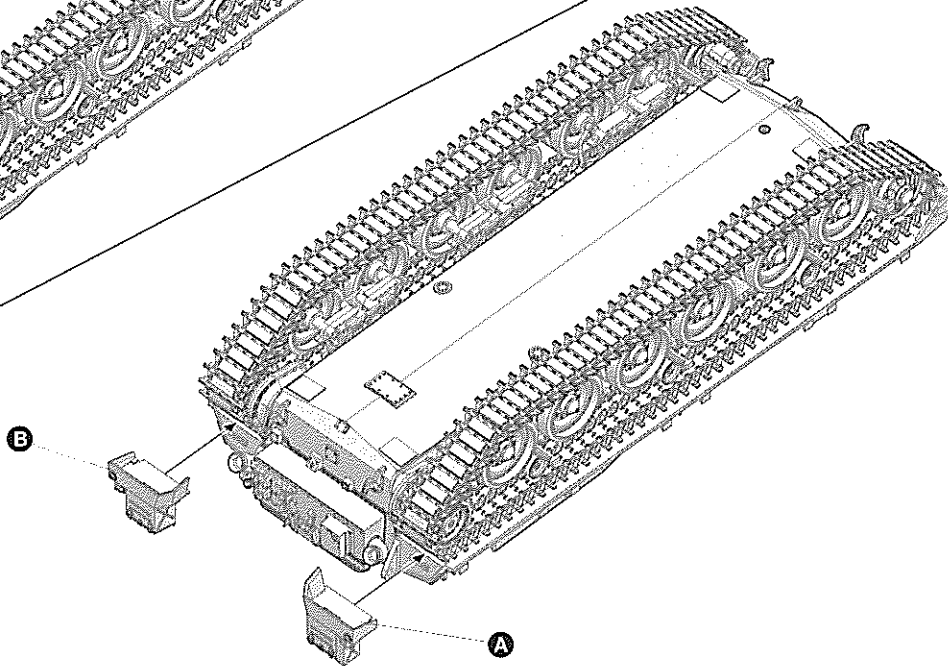
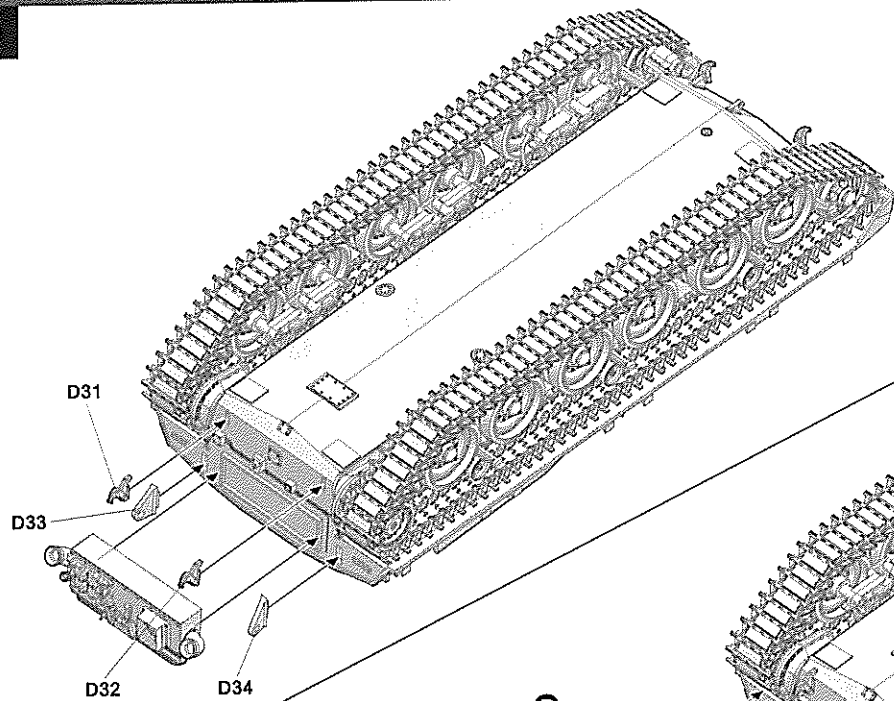


**B**



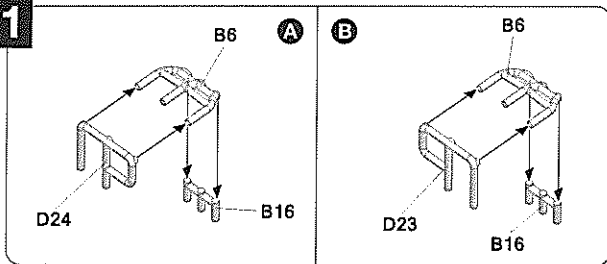
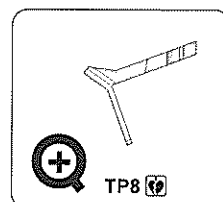
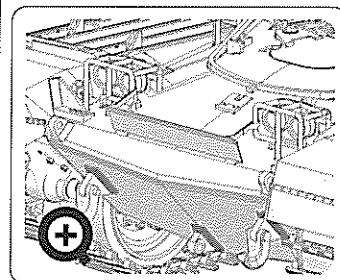
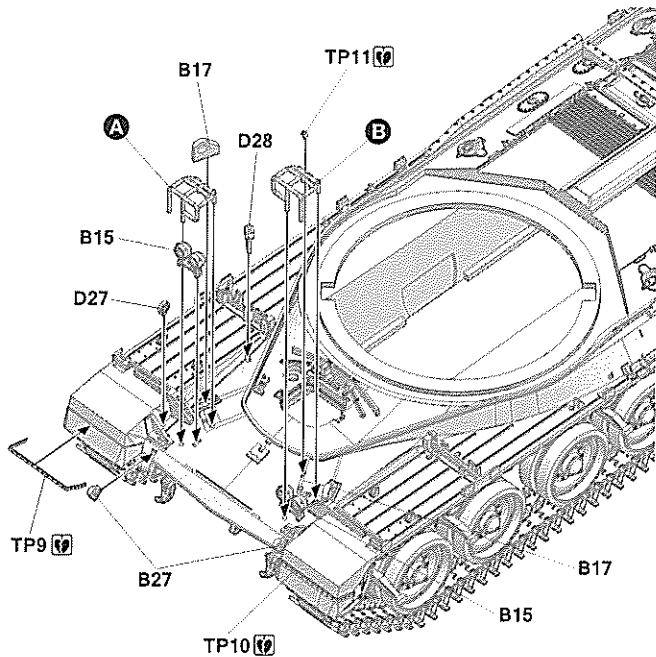
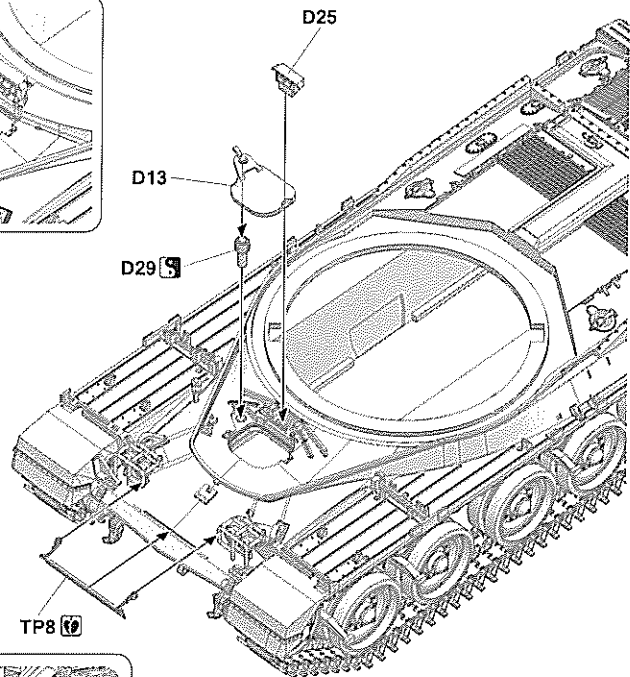
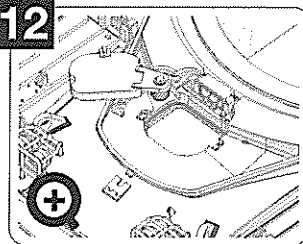
6

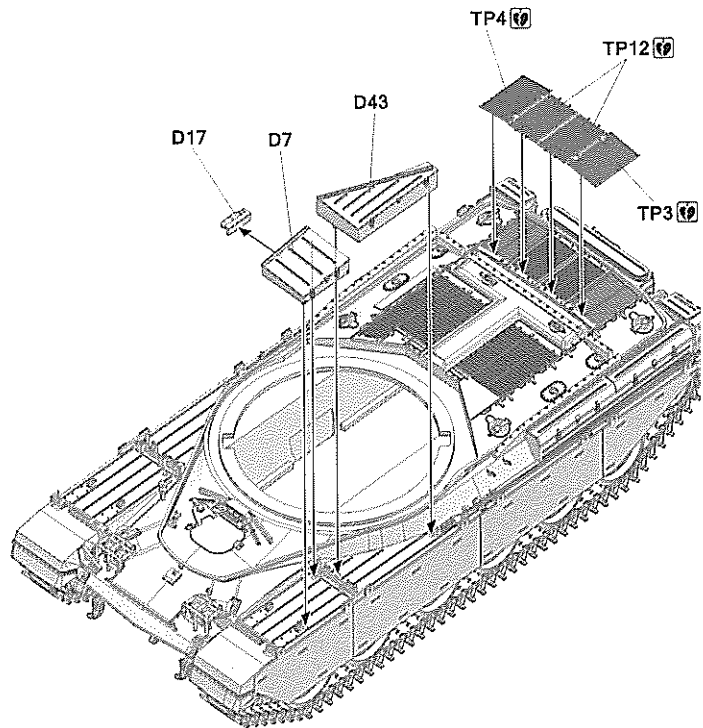
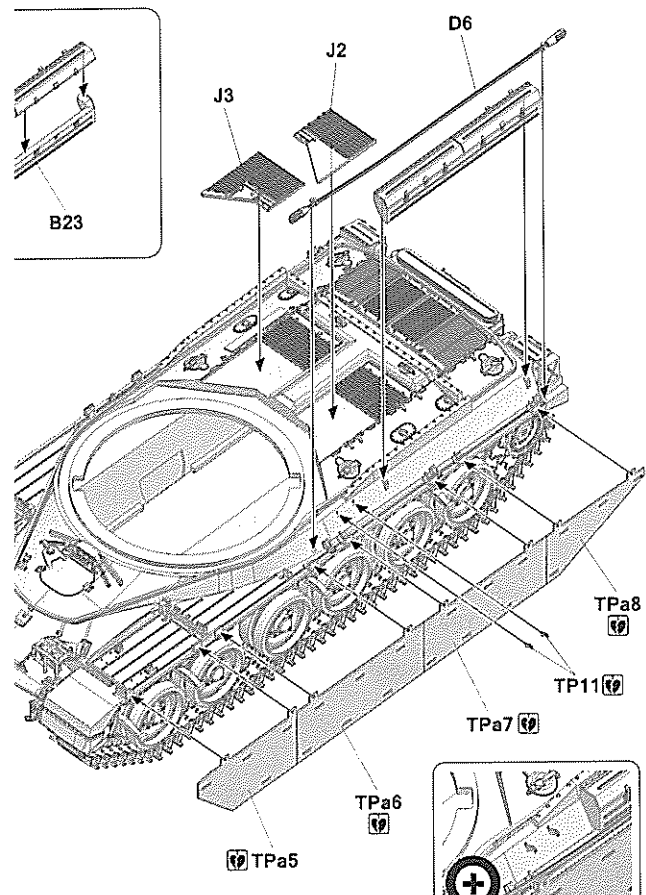
9



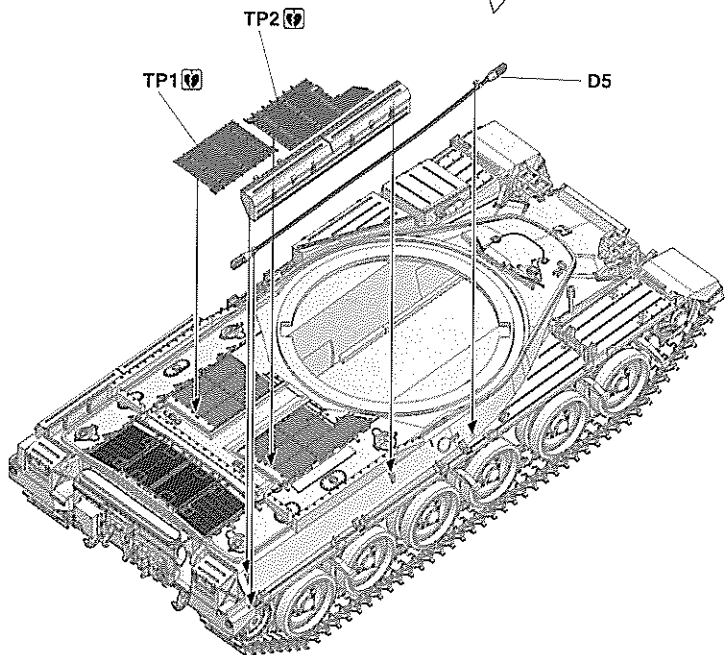
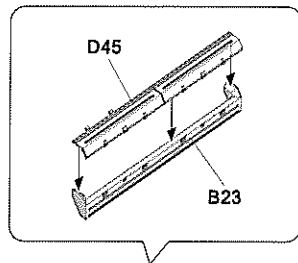
10



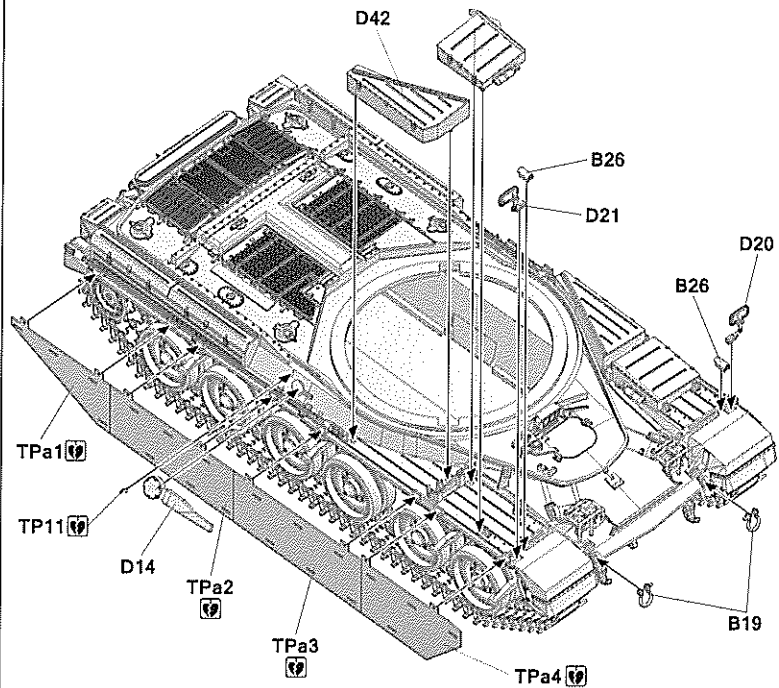
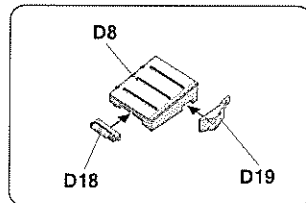
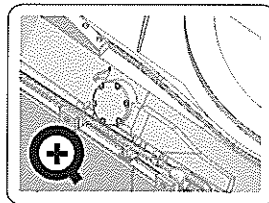
**11****12**



15

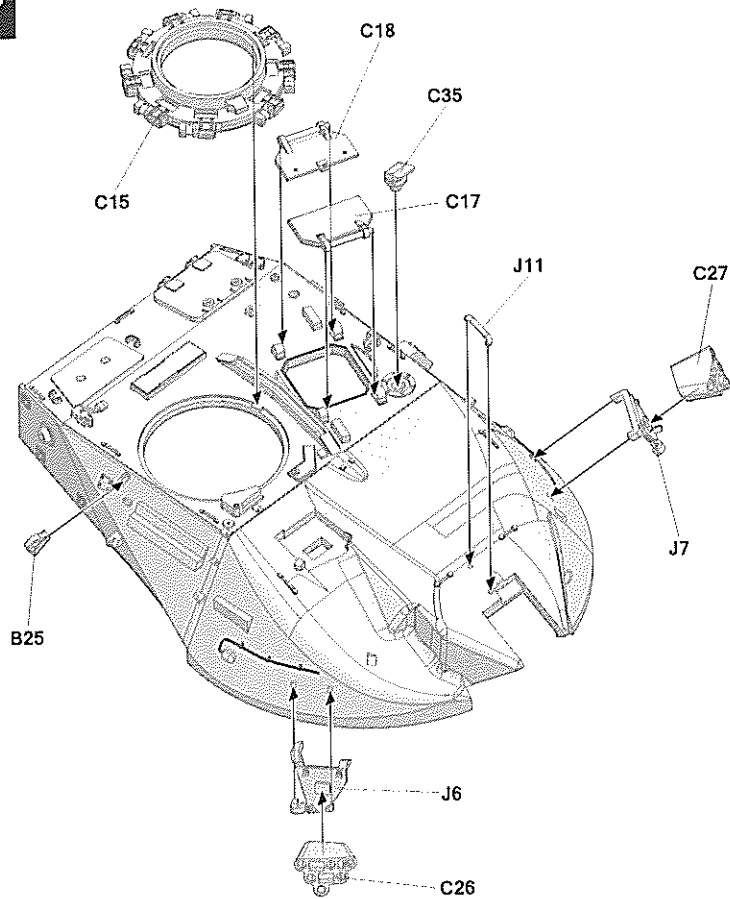


16

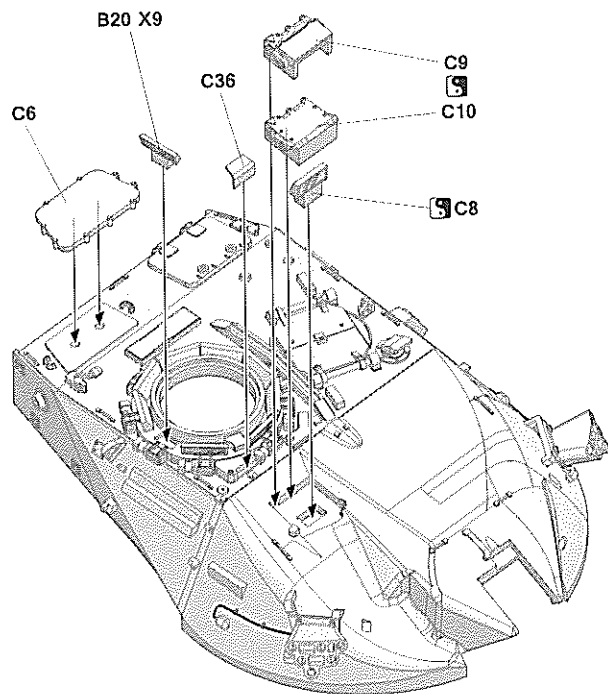


10

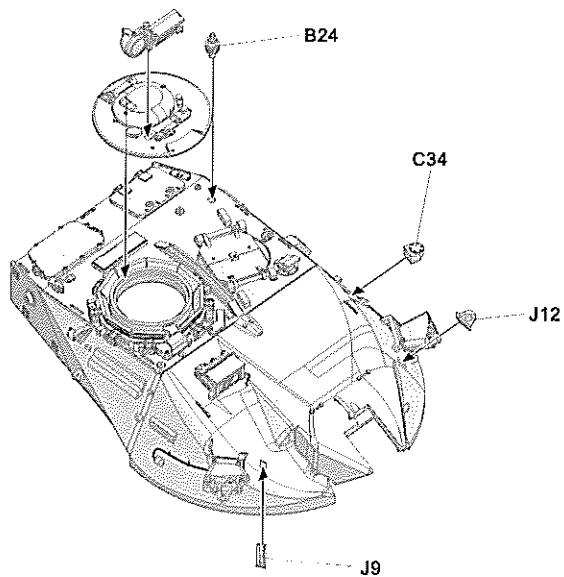
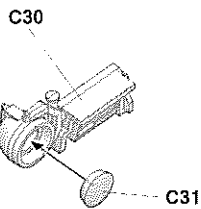
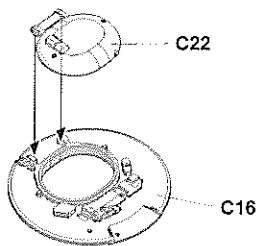
17



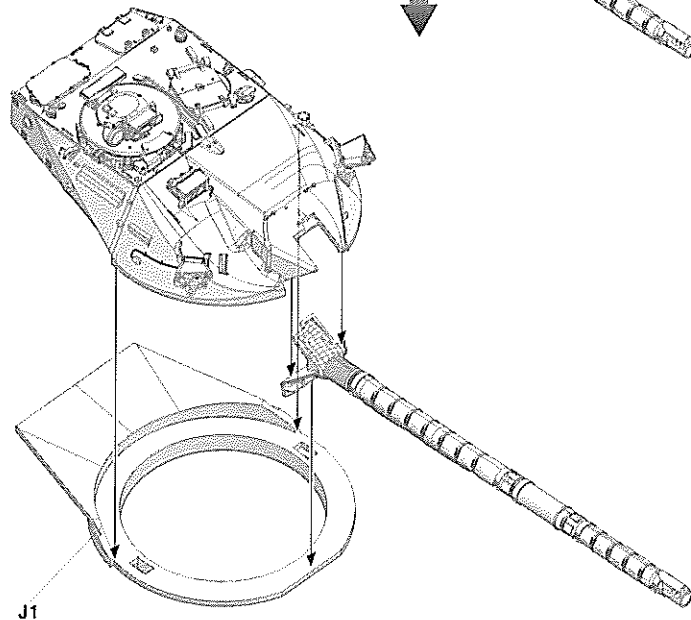
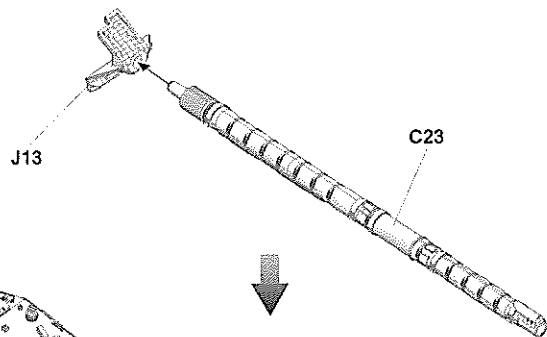
18



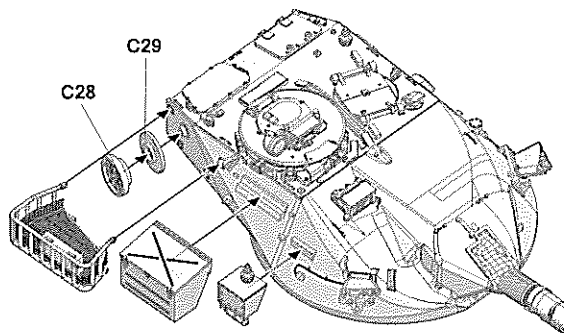
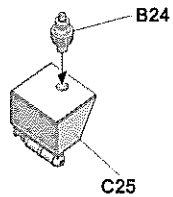
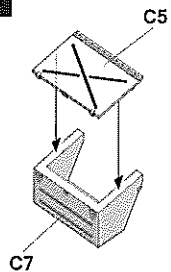
19



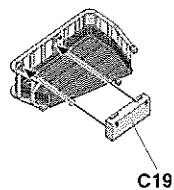
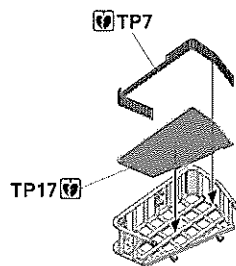
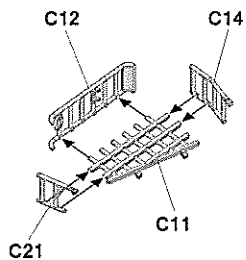
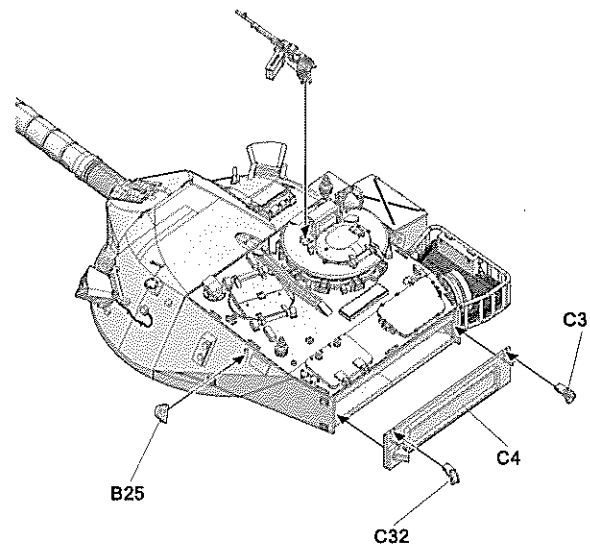
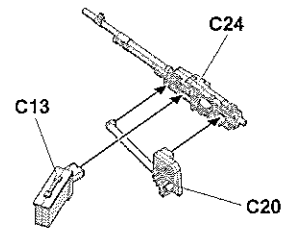
20

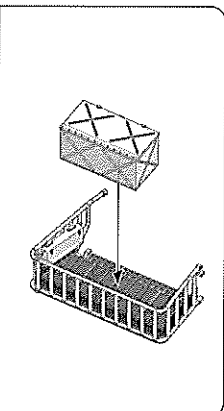
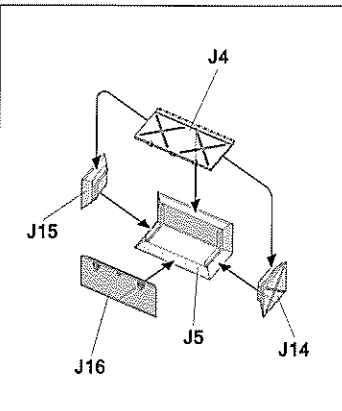
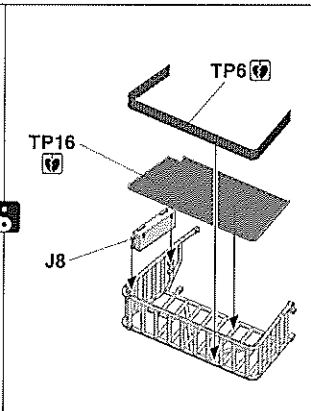
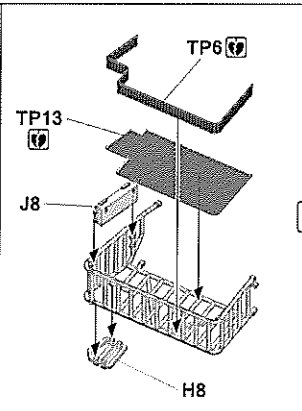
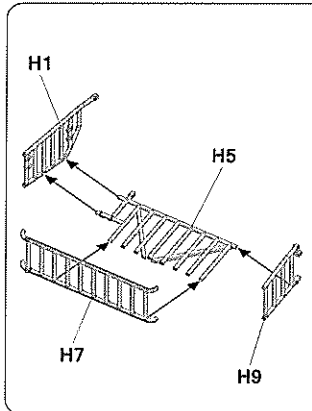
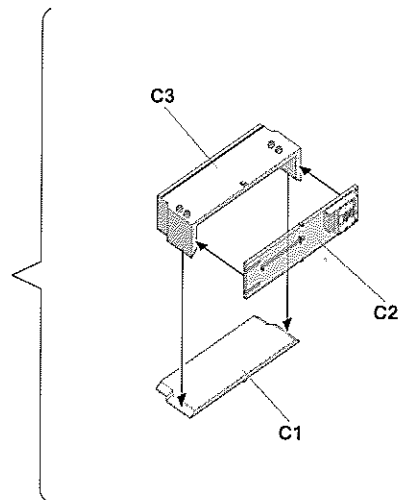
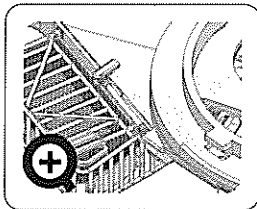
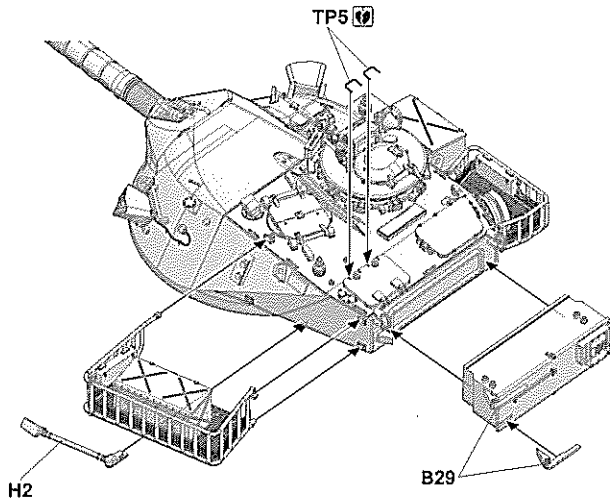


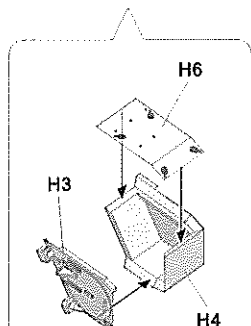
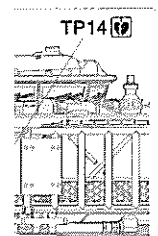
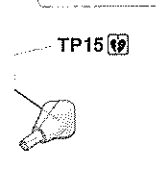
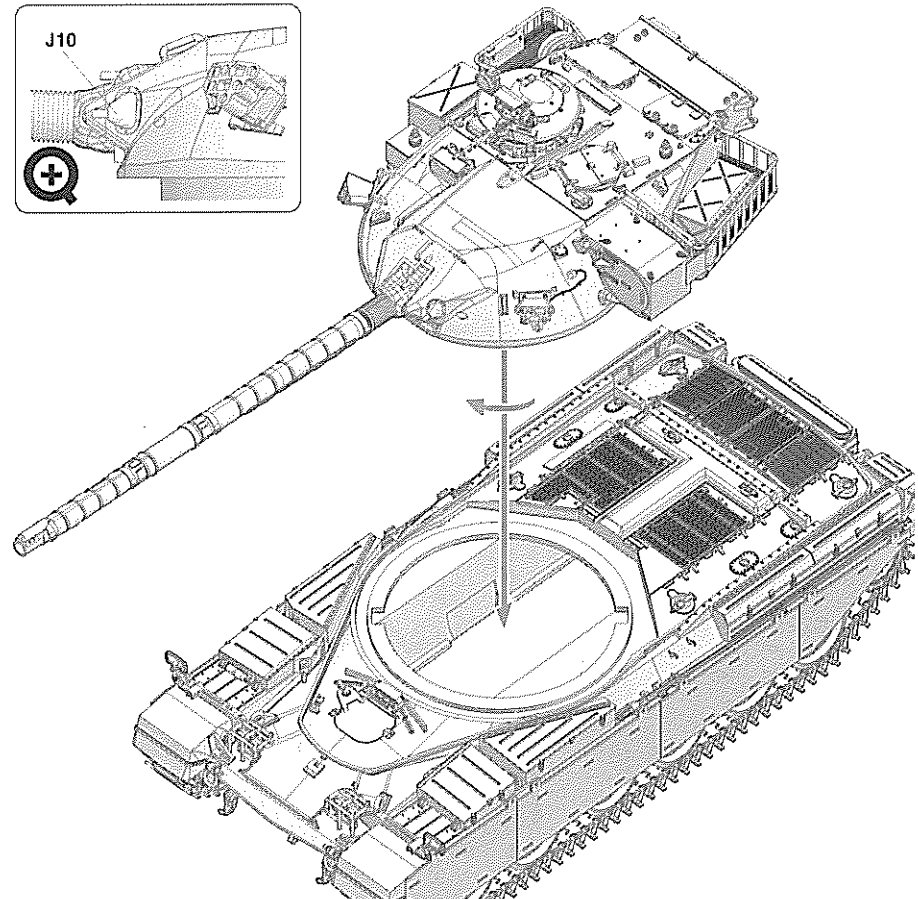
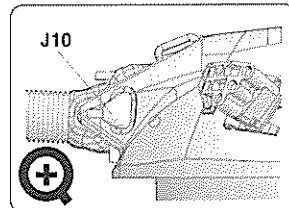
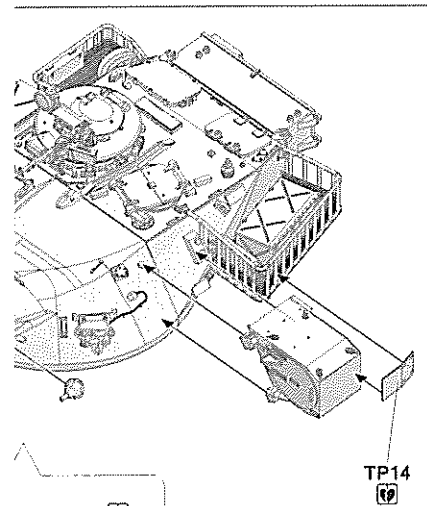
21



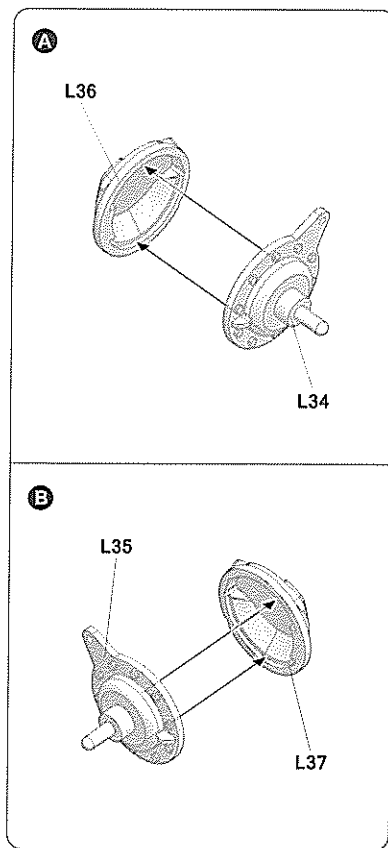
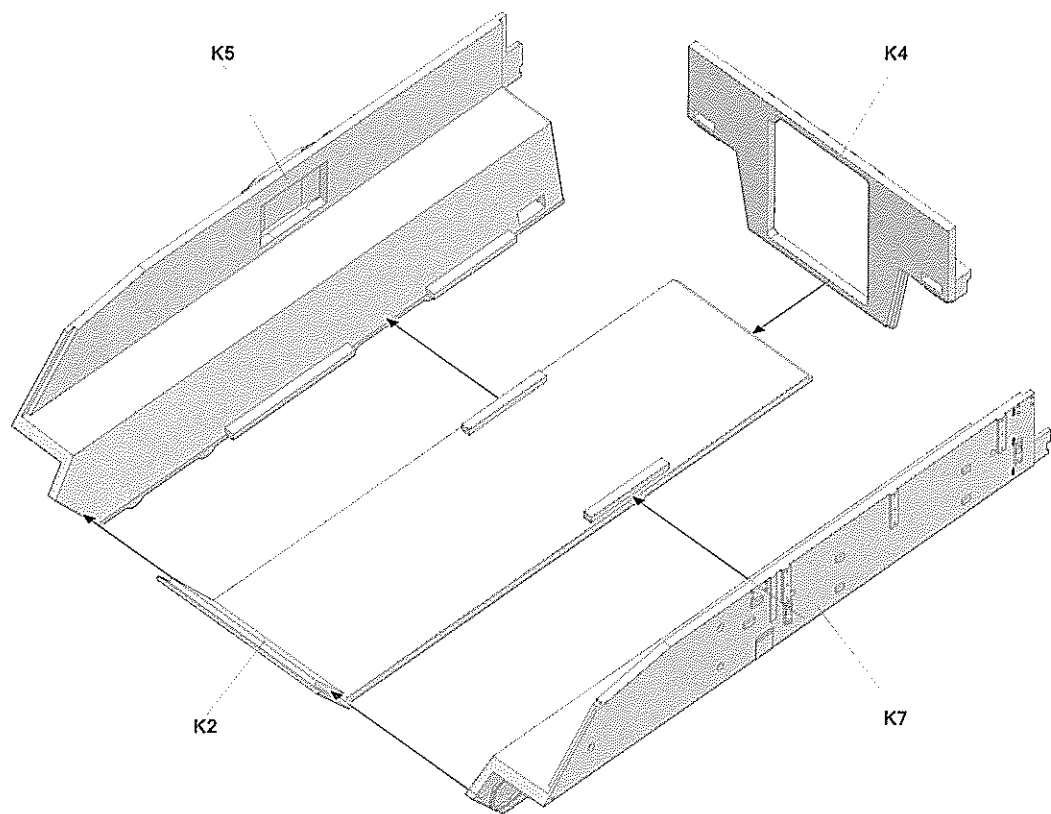
22

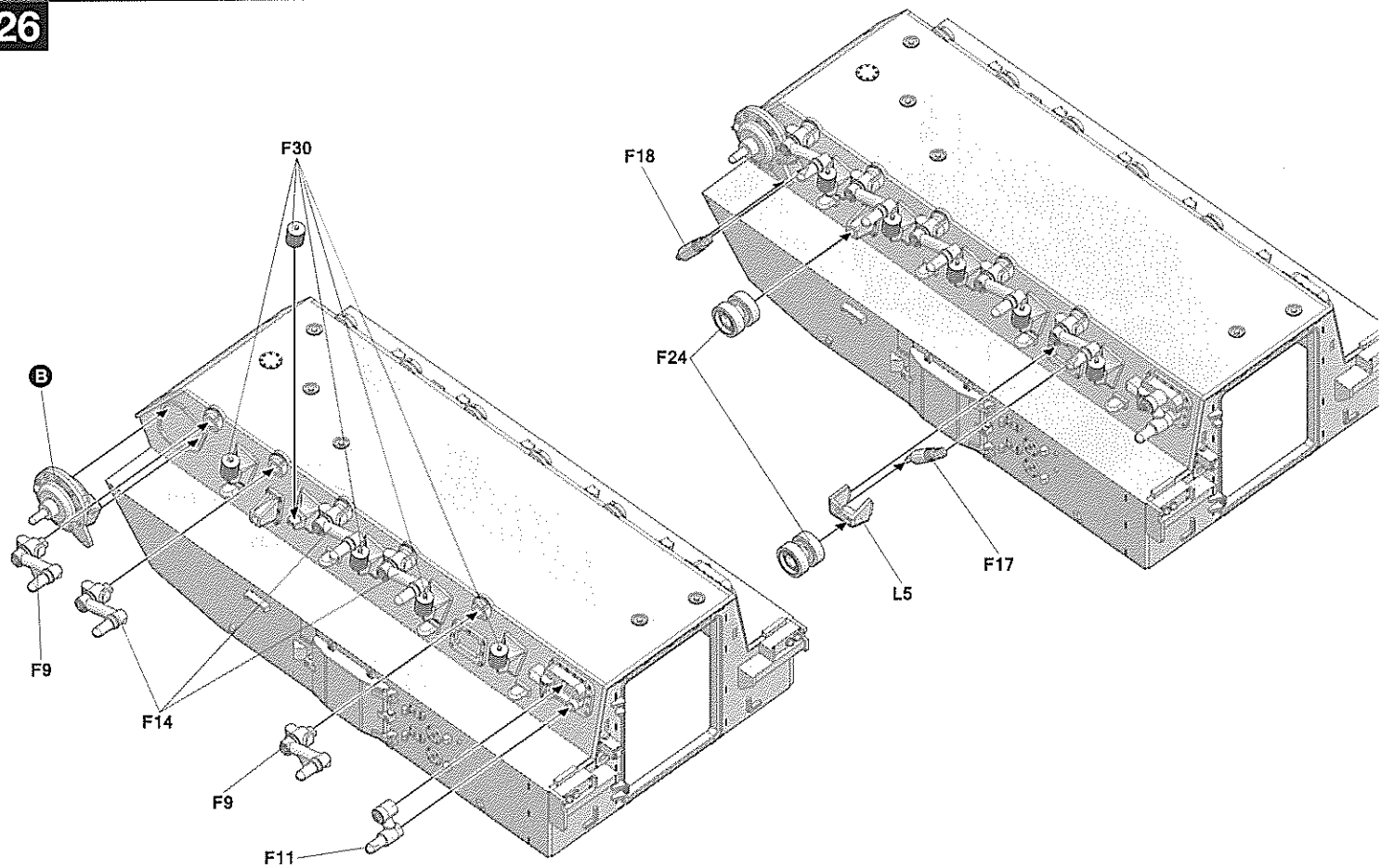


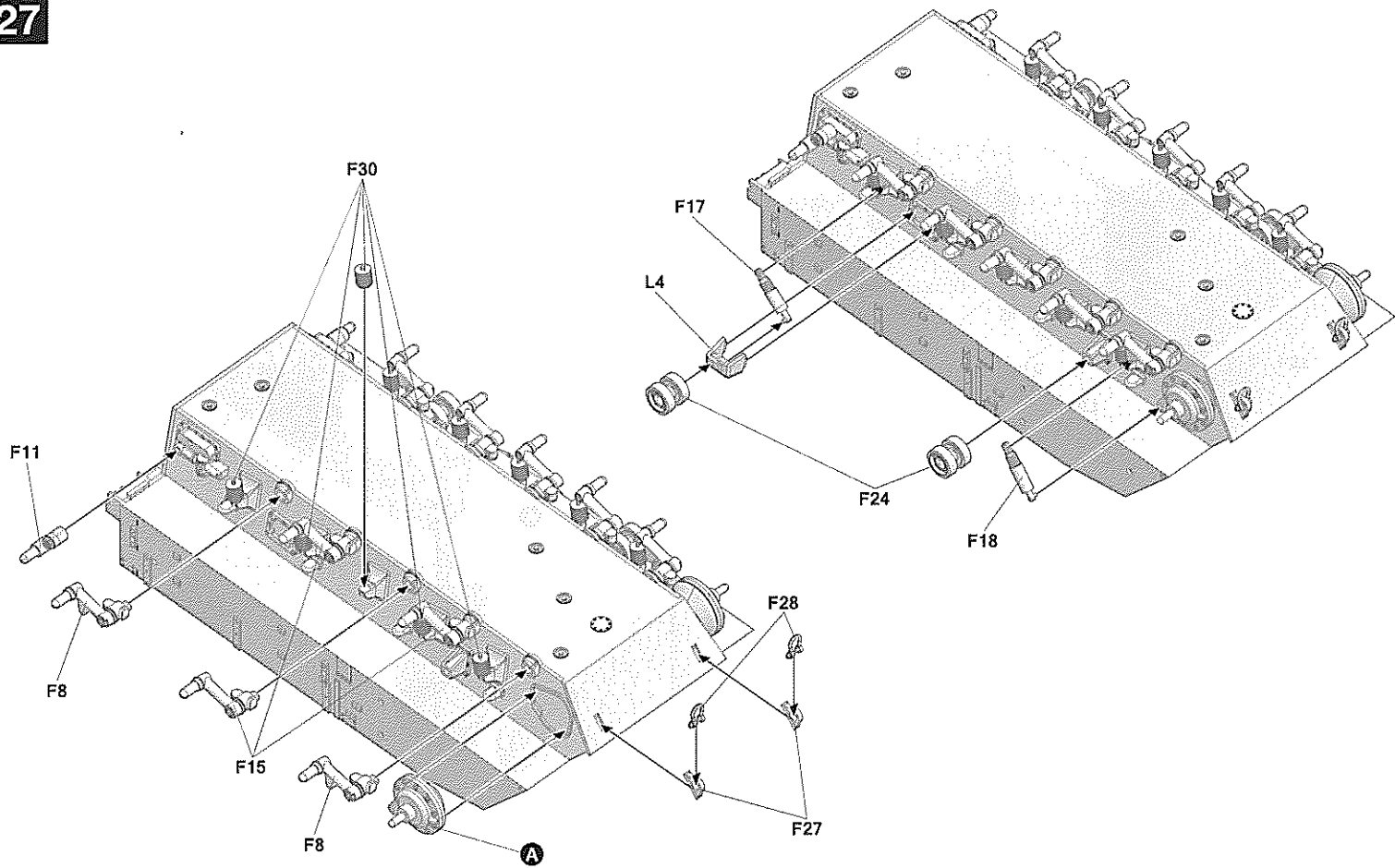


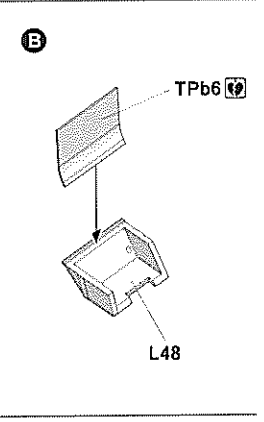
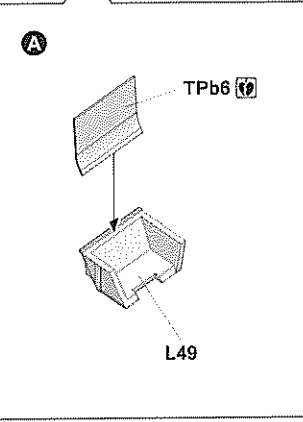
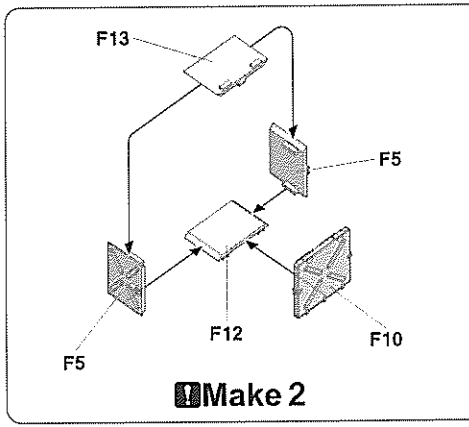
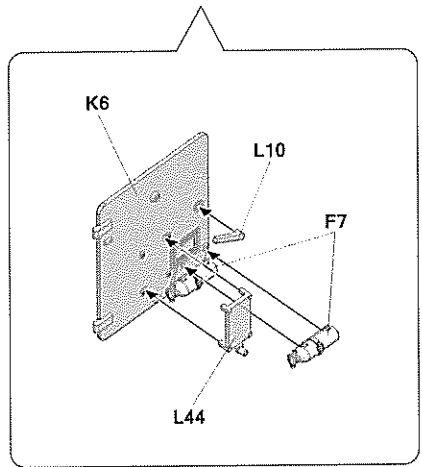
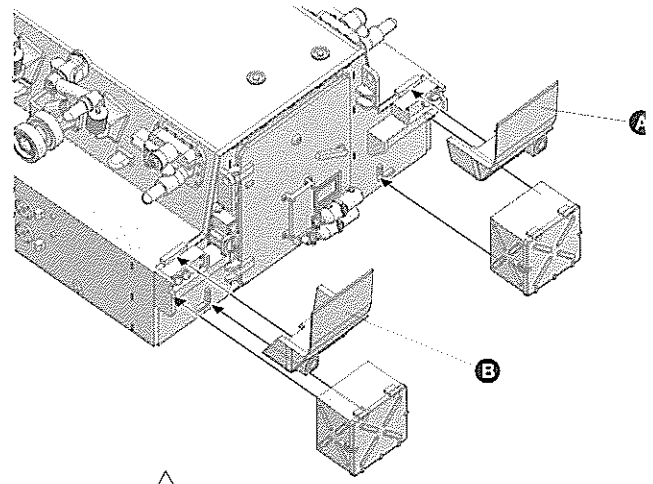
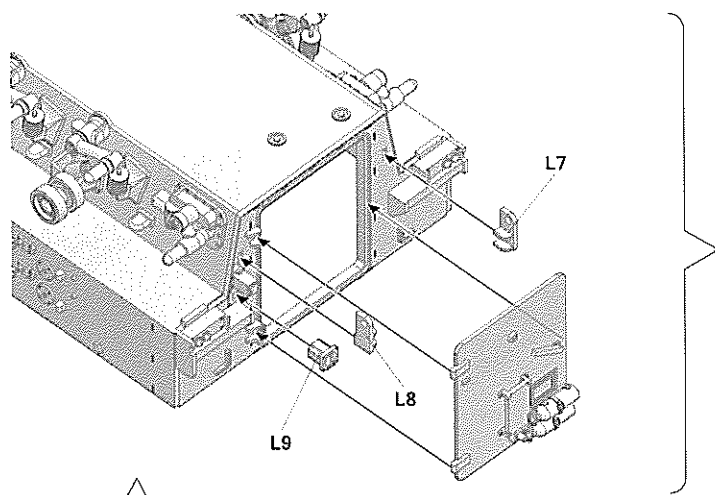




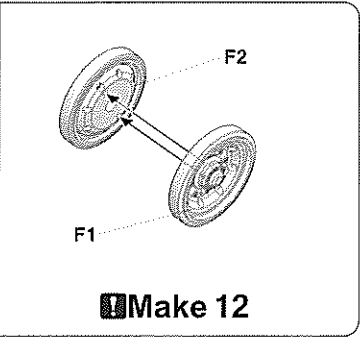
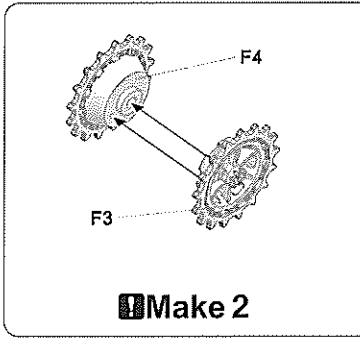
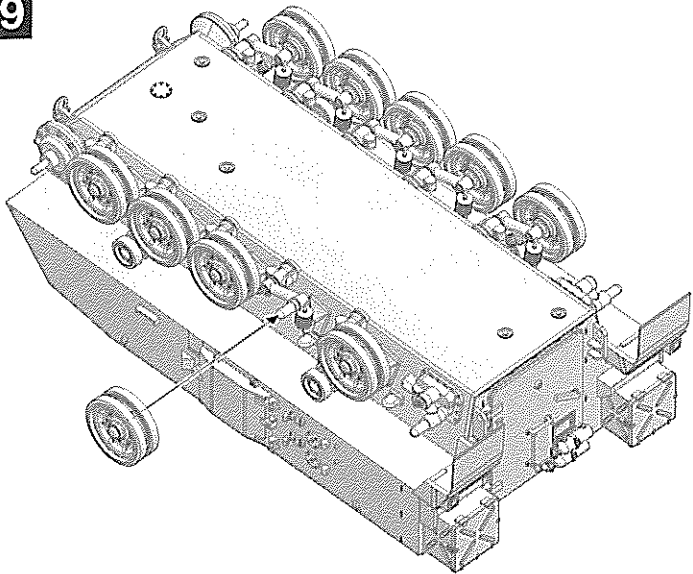




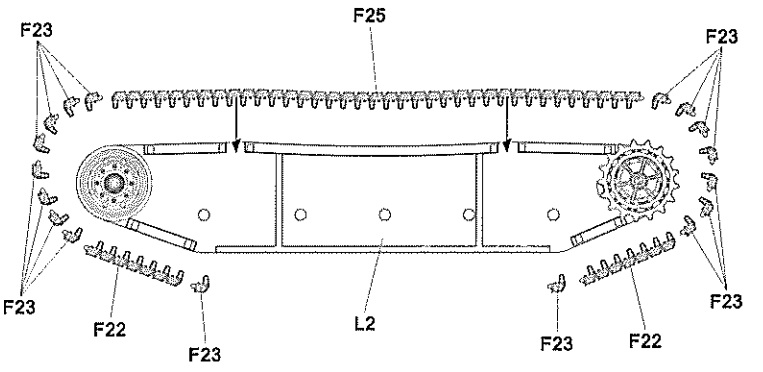
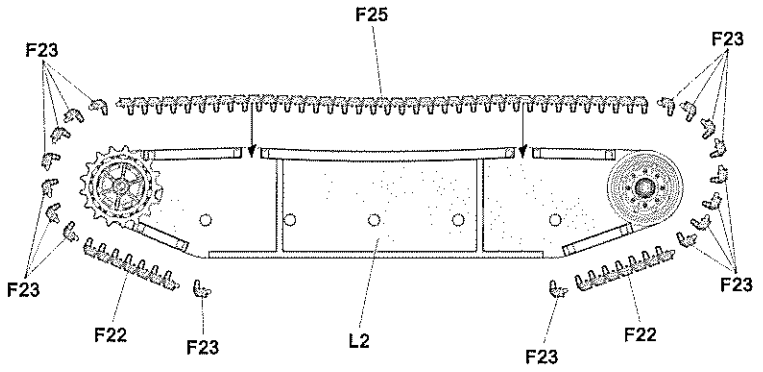




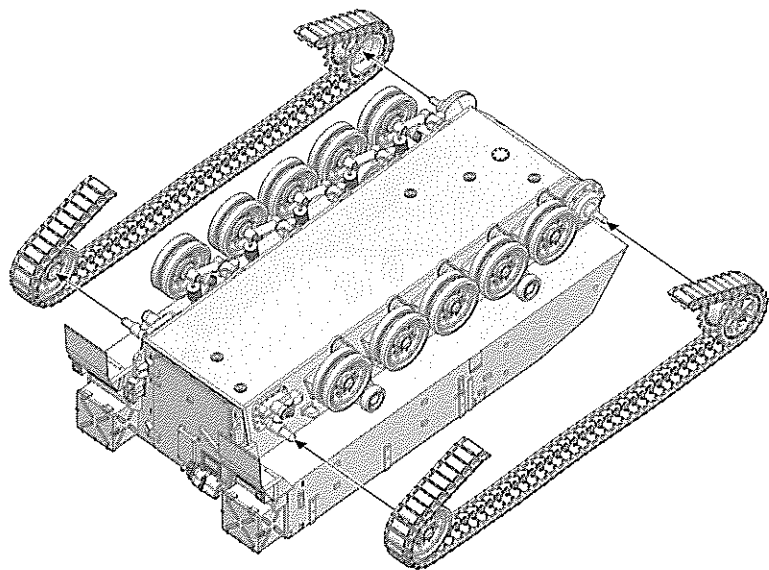
29



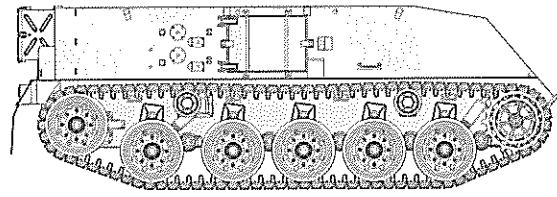
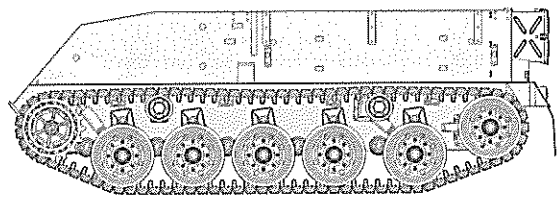
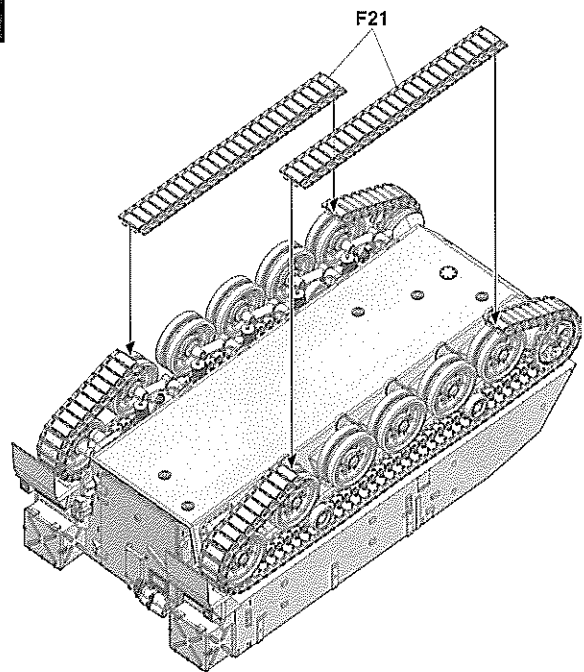
30

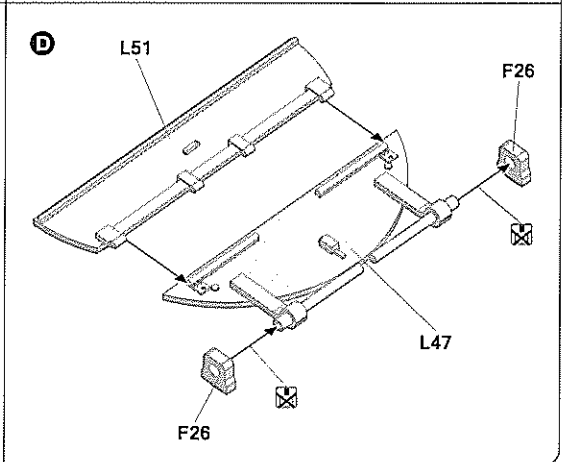
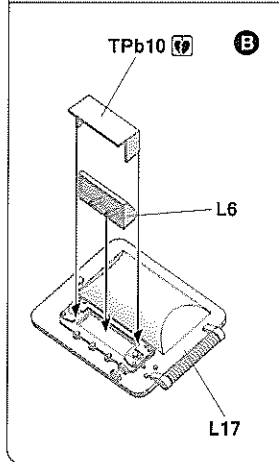
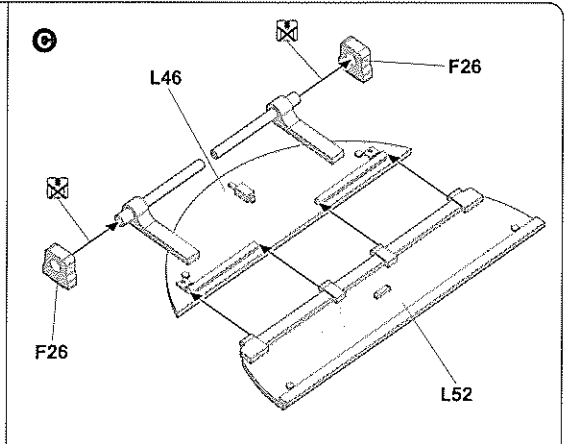
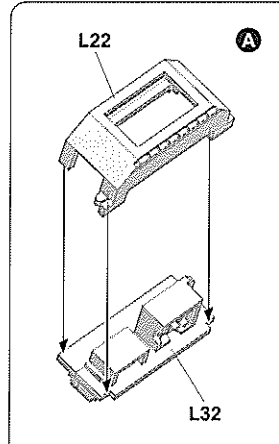
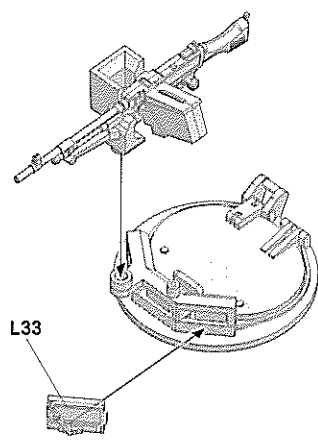
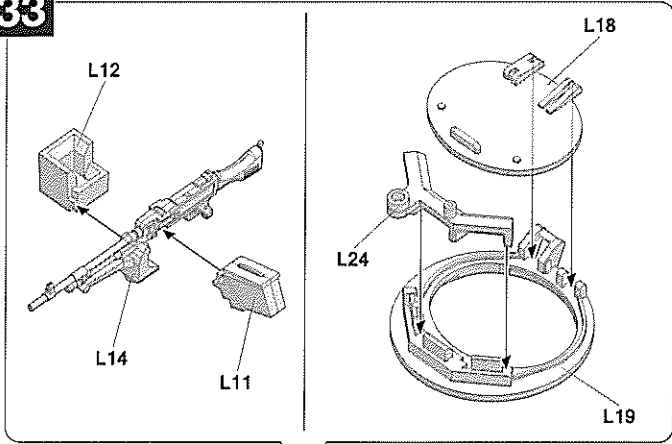


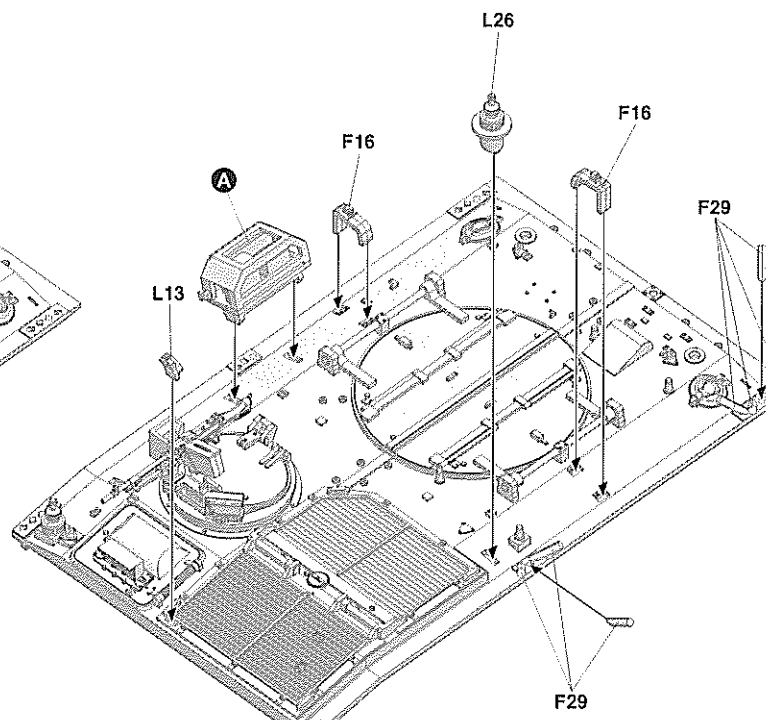
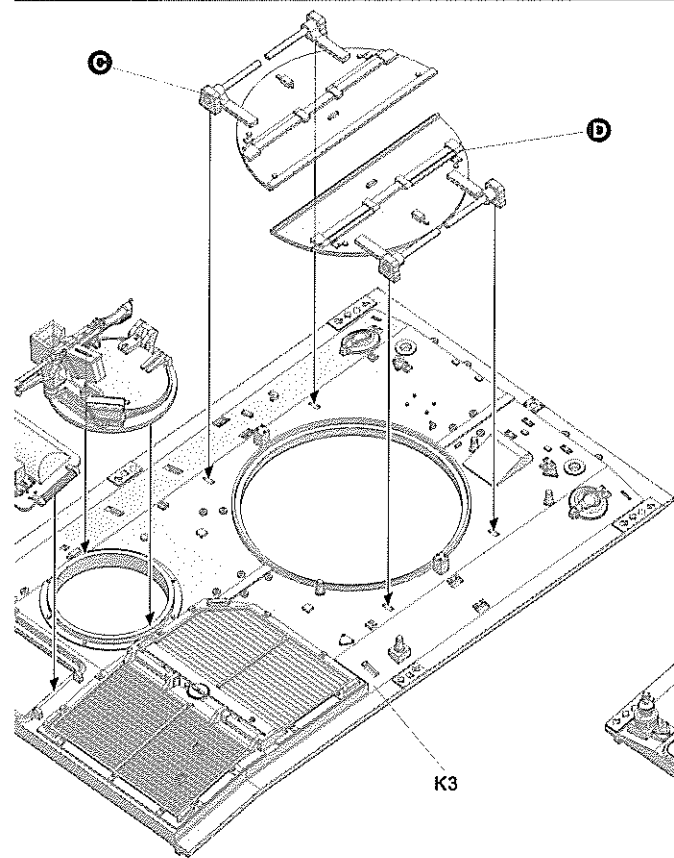
31



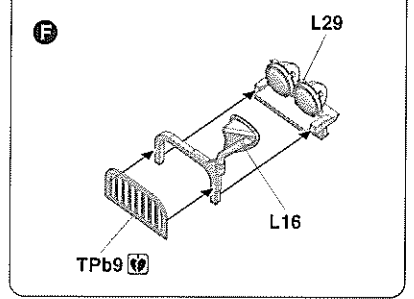
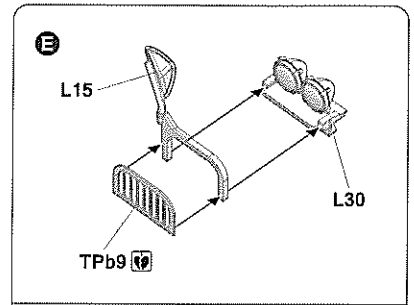
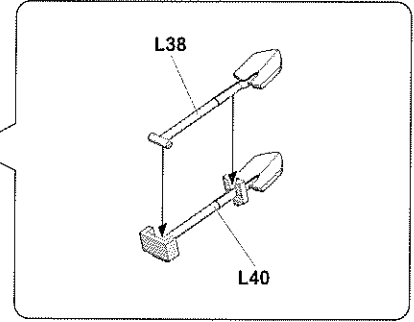
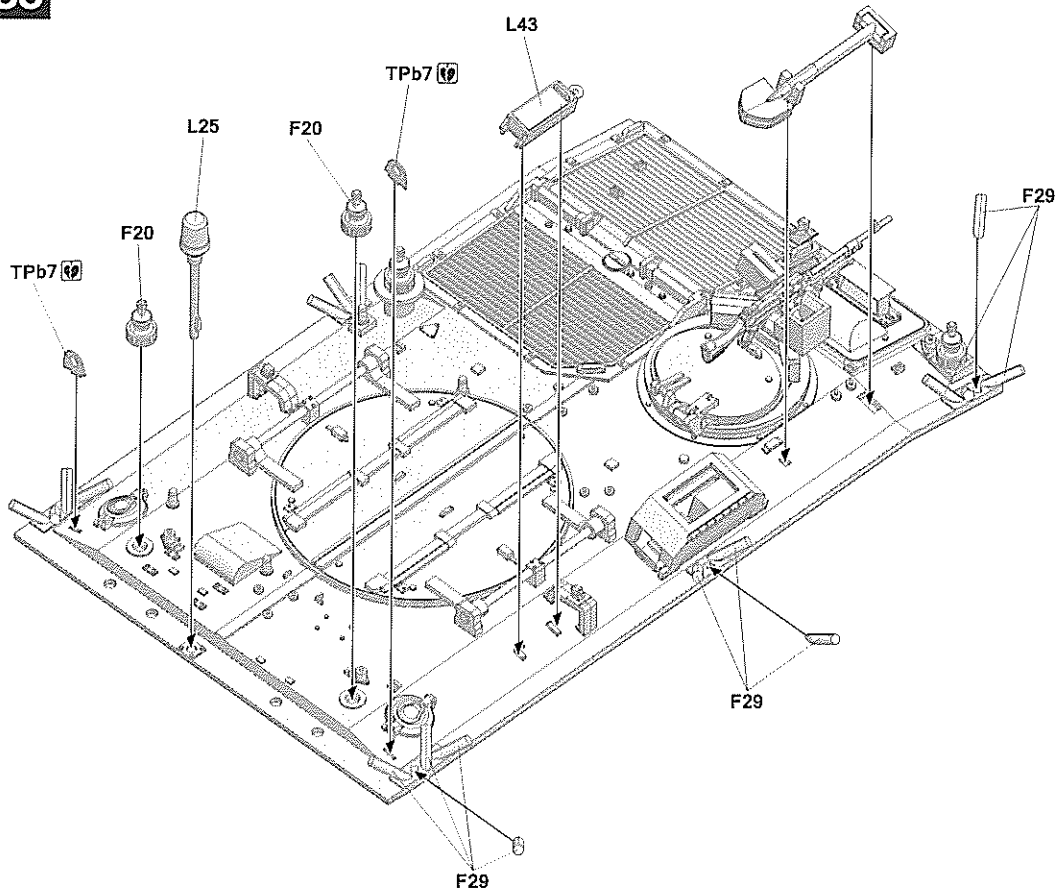
32

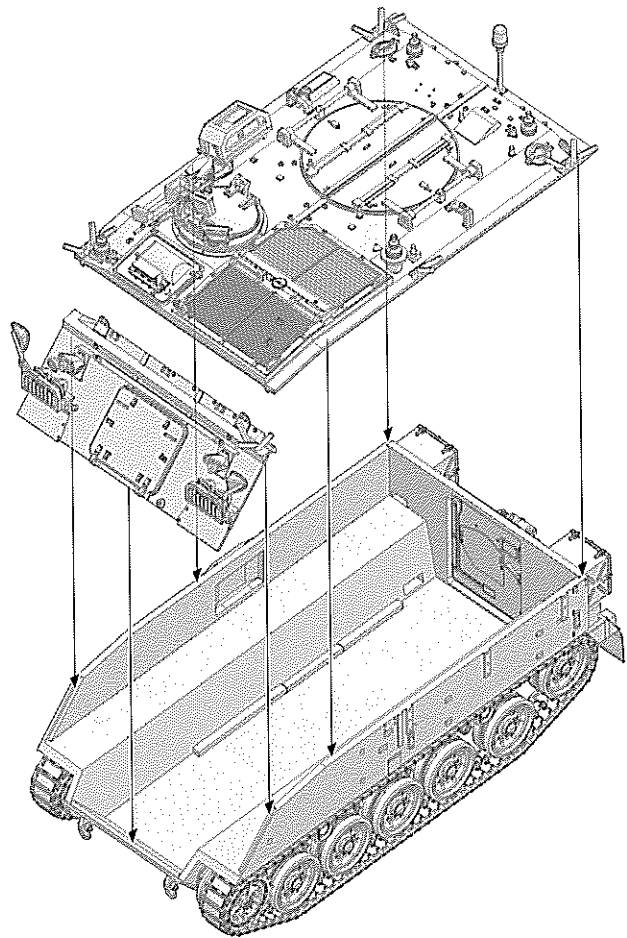
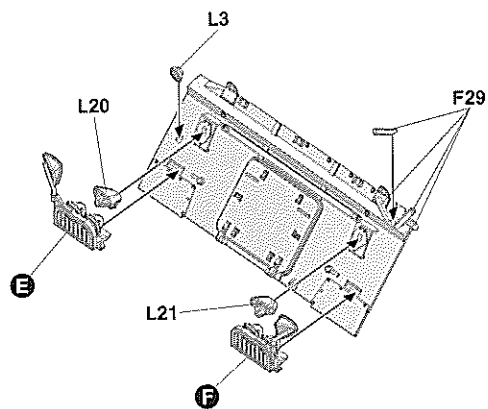
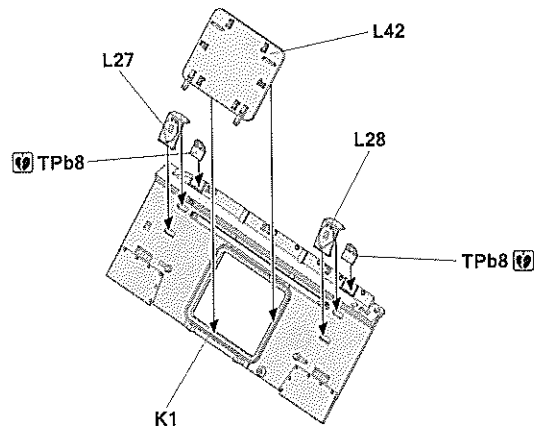


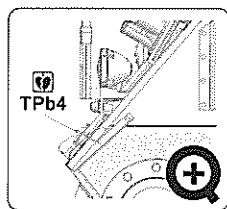
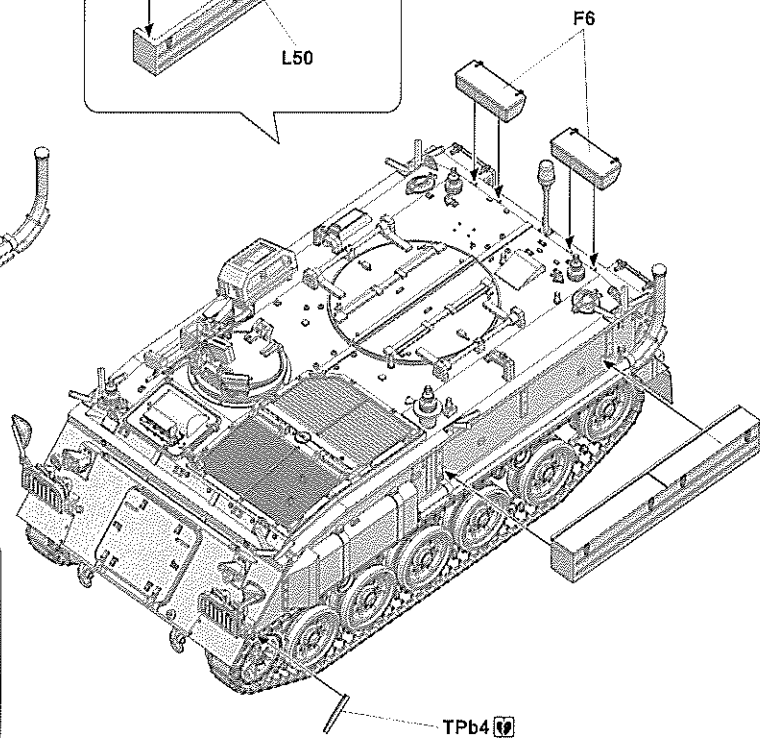
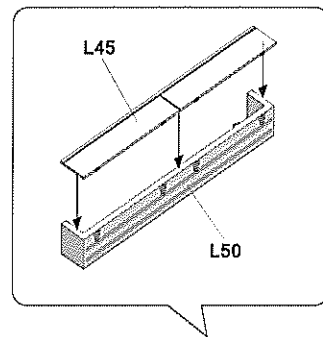
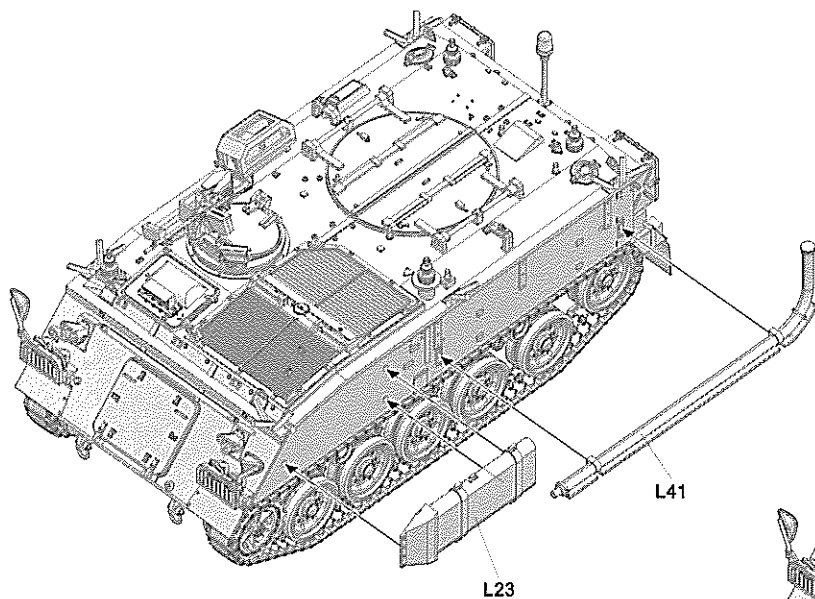


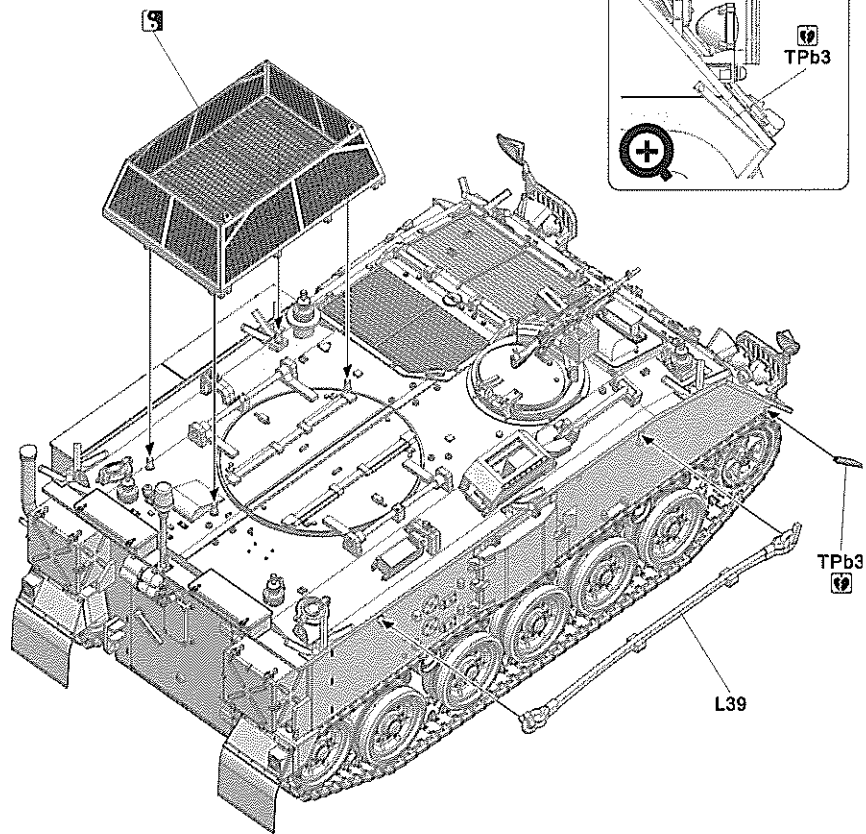
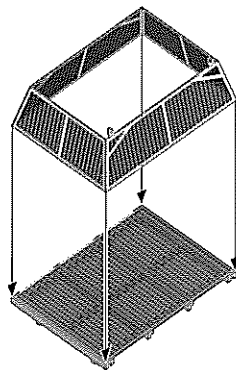
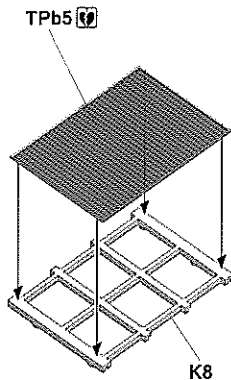
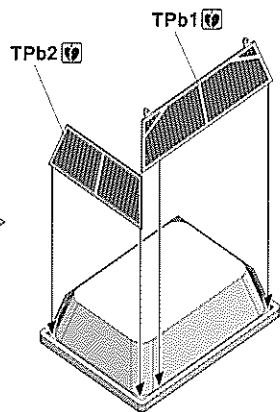
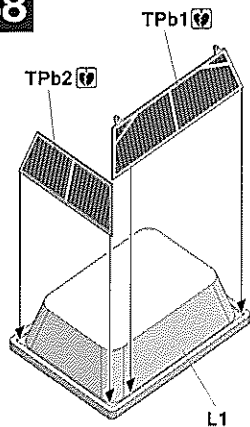












03.03.5008



# CHIEFTAIN MK.5/5P

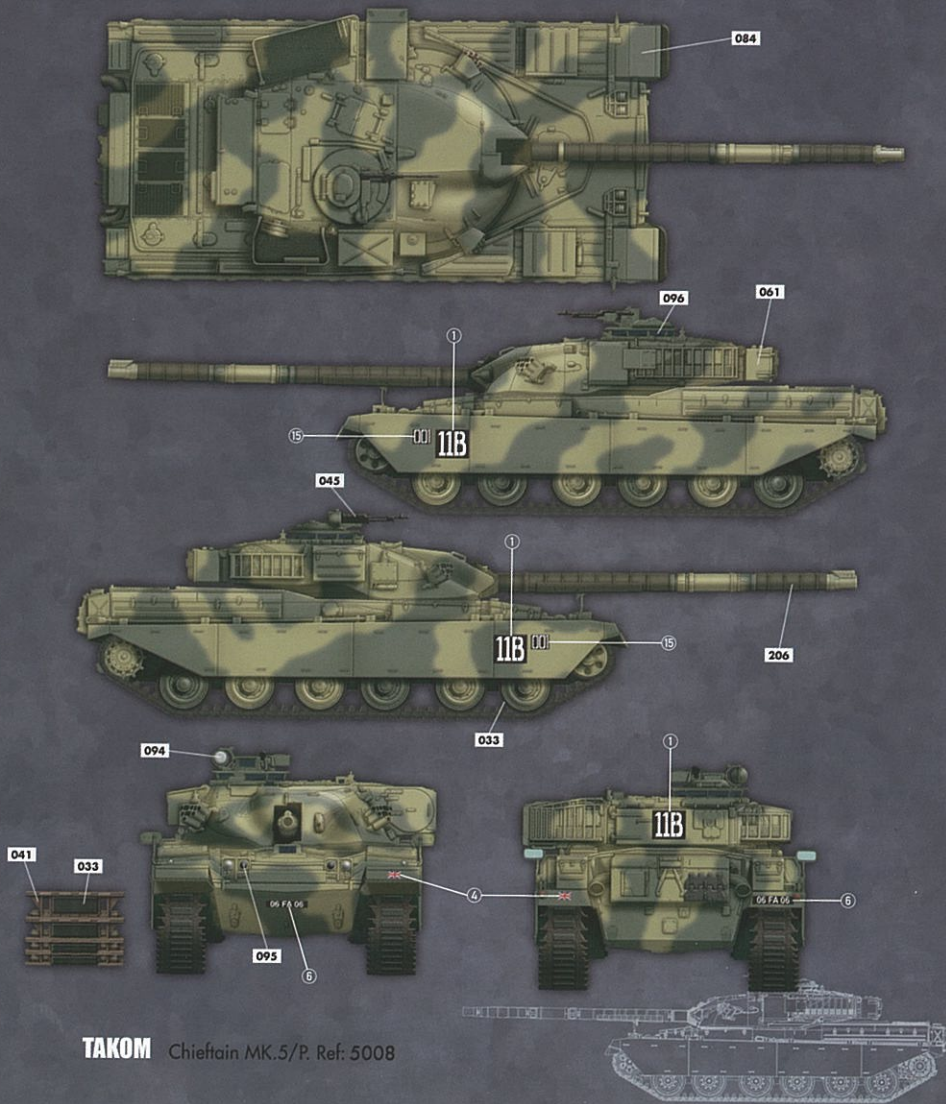
Color info and profiles by



## Painting and Marking Guide

- A.MIG 033** Rubber & Tires
- A.MIG 041** Dark Rust
- A.MIG 045** Gun Metal
- A.MIG 094** Crystal Glass
- A.MIG 095** Crystal Smoke
- A.MIG 096** Crystal Periscope Green
- A.MIG 061** Warm Sand Yellow
- A.MIG 206** FS 34075 (BS 641)
- A.MIG 084** NATO Green

Unknown unit. BATUS. 1991



**TAKOM** Chieftain MK.5/P. Ref: 5008

03.03.5008



# CHIEFTAIN MK.5/5P

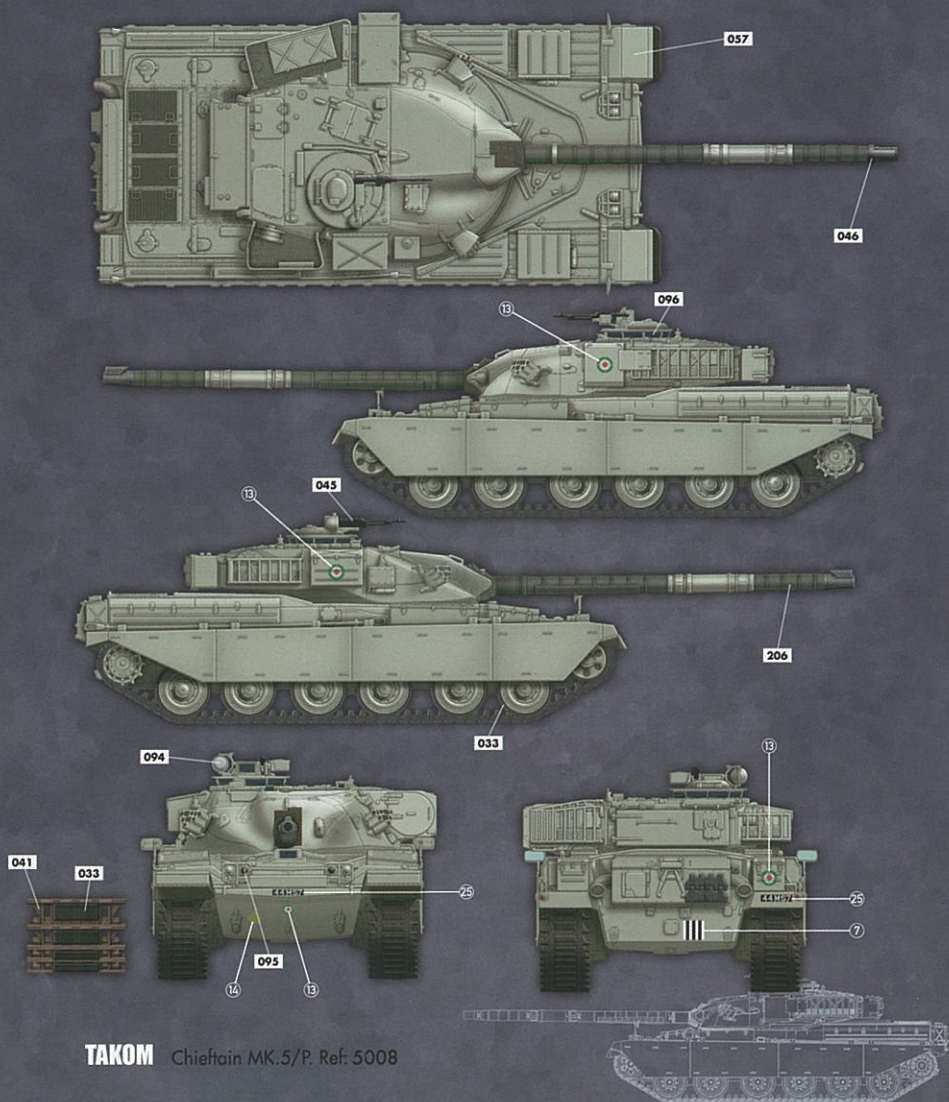
Color info and profiles by



## Painting and Marking Guide

<b>A.MIG 033</b> Rubber & Tires	<b>A.MIG 041</b> Dark Rust	<b>A.MIG 045</b> Gun Metal	<b>A.MIG 096</b> Crystal Glass
<b>A.MIG 095</b> Crystal Smoke	<b>A.MIG 096</b> Crystal Perspective Green	<b>A.MIG 057</b> Yellow Grey	<b>A.MIG 046</b> Matt Black
<b>A.MIG 206</b> FS 34075 (65 641)			

Iranian MK.5/P, Battle of Shalamche (preceding the liberation of Khorramshahr) 242nd Battalion, 4th Brigade, 21st Infantry Division, Operation "Bait-al-Moqaddas" May 1983



**TAKOM** Chieftain MK.5/P. Ref: 5008



03.03.5008



# FV432 MK.2/1

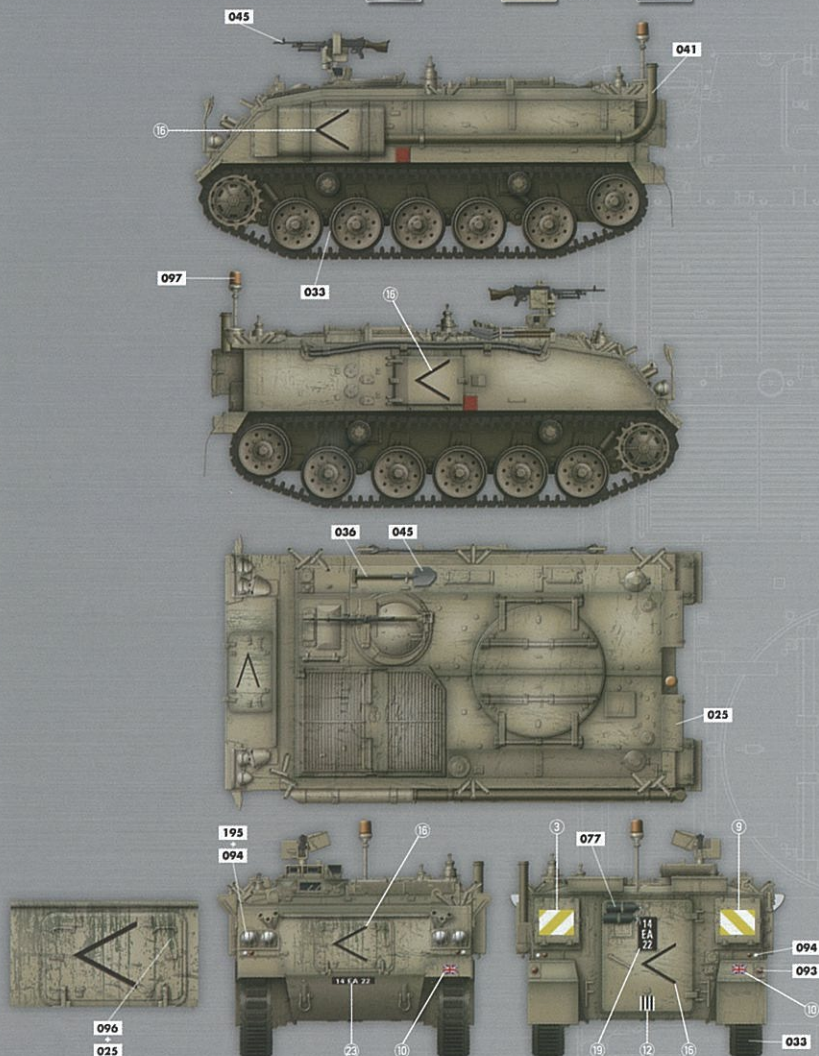
Color info and profiles by



## Painting and Marking Guide

<b>A.MIG 033</b> Rubber & Tires	<b>A.MIG 036</b> Old Wood	<b>A.MIG 041</b> Dark Rust	<b>A.MIG 045</b> Gun Metal
<b>A.MIG 077</b> Dull Green	<b>A.MIG 093</b> Crystal Red	<b>A.MIG 094</b> Crystal Glass	<b>A.MIG 097</b> Crystal Orange
<b>A.MIG 195</b> Silver	<b>A.MIG 025</b> US Modern Vehicles	<b>A.MIG 096</b> Crystal Periscope Green	

Royal Scots 7th. Armoured Brigade.



**TAKOM** FV432 MK.2/1 w/Interior Ref: 5008

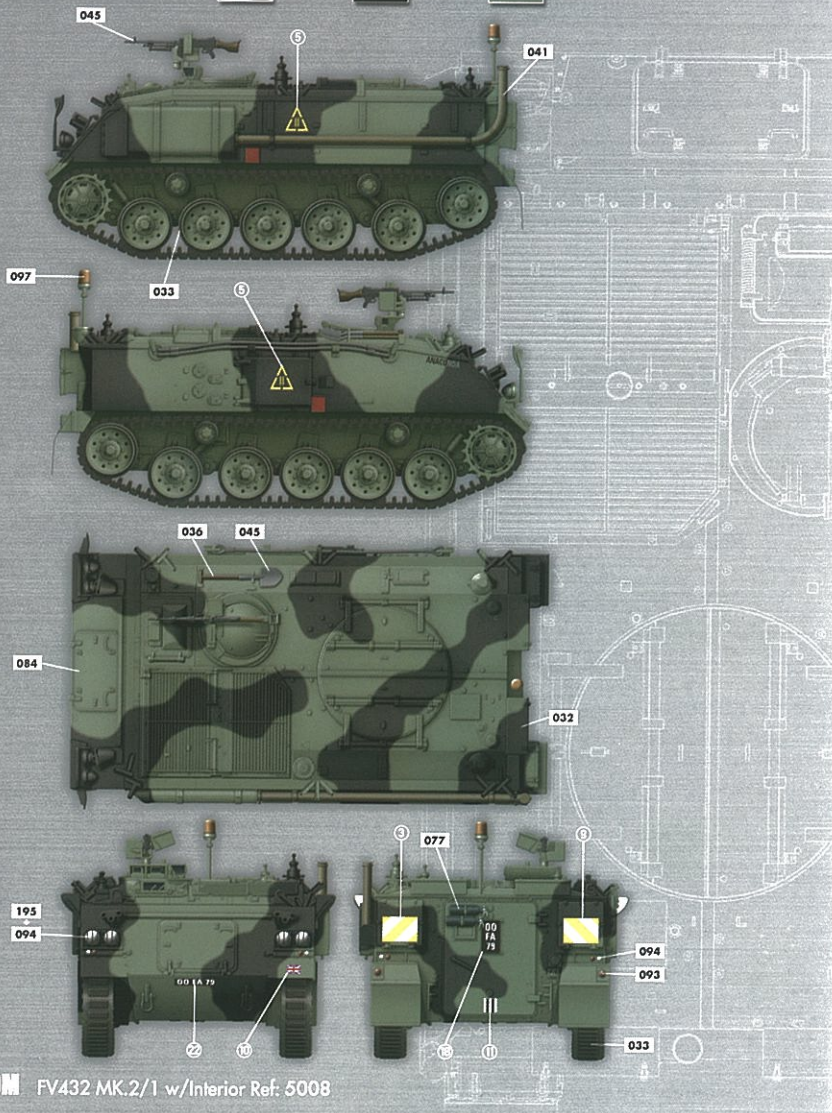


# FV432 MK.2/1

## Painting and Marking Guide

A.MIG 033	Rubber & Tires	A.MIG 036	Old Wood	A.MIG 041	Dark Rust	A.MIG 045	Gun Metal
A.MIG 077	Dull Green	A.MIG 093	Crystal Red	A.MIG 094	Crystal Glass	A.MIG 097	Crystal Orange
A.MIG 195	Silver	A.MIG 032	Satin Black	A.MIG 084	NATO Green		

Unknown unit.



03.03.5008



# FV432 MK.2/1

Color info and profiles by



## Painting and Marking Guide

A.MIG 033 Rubber &amp; Tires

A.MIG 036 Old Wood

A.MIG 041 Dark Rust

A.MIG 045 Gun Metal

A.MIG 077 Dull Green

A.MIG 093 Crystal Red

A.MIG 094 Crystal Glass

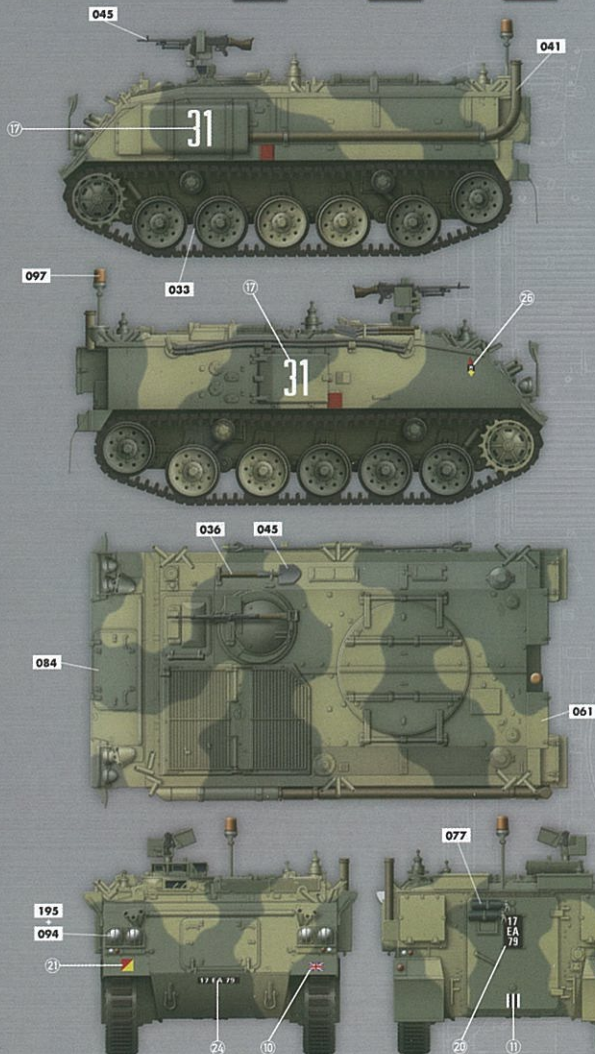
A.MIG 097 Crystal Orange

A.MIG 195 Silver

A.MIG 061 Warm Sand-Yellow

A.MIG 084 NATO Green

OPFOR.



**TAKOM** FV432 MK.2/1 w/Interior Ref: 5008

# RUSSIAN ARMY TANK TRANSPORTER

- ▲ DETAILED STATIC DISPLAY PLASTIC MODEL
- ▲ PE AND CLEAR PARTS INCLUDED
- ▲ 4 TYPES OF MARKINGS

1/72  
No.5004



Designed by  
T-Rex Studio  
in China



- ▲ THIS IS NOT A TOY
- ▲ READY TO ASSEMBLE PRECISION MODEL KIT
- ▲ INTENDED FOR COLLECTORS OF AGE 14 YEARS AND ABOVE
- ▲ MODEL MAY VARY FROM IMAGE ON BOX
- ▲ CEMENT AND PAINT NOT INCLUDED

## MAZ-537G TRACTOR w/CHMZAP-5247G SEMITRAILER



TAKOM

# JAGDTIGER Sd.Kfz.186 EARLY/LATE PRODUCTION 2IN1

- ▲ ALL HATCHES CAN BE BUILT IN OPEN OR CLOSED POSITION
- ▲ TRACK ASSEMBLY IS AIDED WITH THE USE OF A JIG
- ▲ DETAILED STATIC DISPLAY PLASTIC MODEL
- ▲ LINK-LENGTH STYLE TRACKS INCLUDED
- ▲ STYPES OF MARKINGS
- ▲ PE PARTS INCLUDED

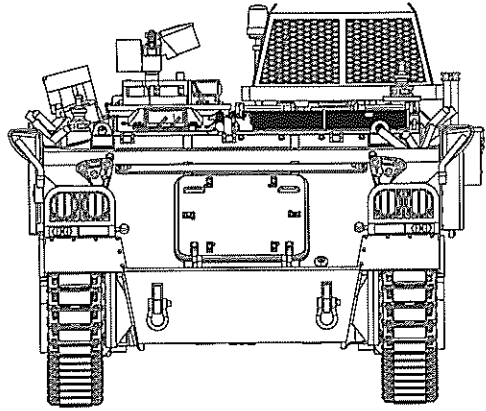
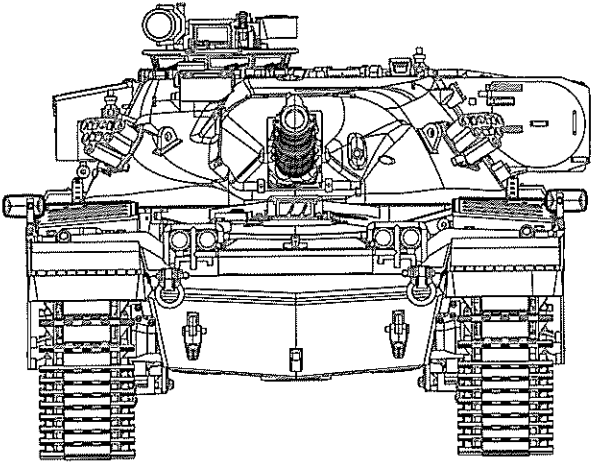


**BLITZ**  
by TAKOM

Designed by  
T-Rex Studio  
in China

- ▲ THIS IS NOT A TOY
- ▲ CEMENT AND PAINT NOT INCLUDED
- ▲ MODEL MAY VARY FROM IMAGE ON BOX
- ▲ READY TO ASSEMBLE PRECISION MODEL KIT
- ▲ INTENDED FOR COLLECTORS OF AGE 14 YEARS AND ABOVE

1/35  
No.6001



You can find TAKOM on Facebook.com