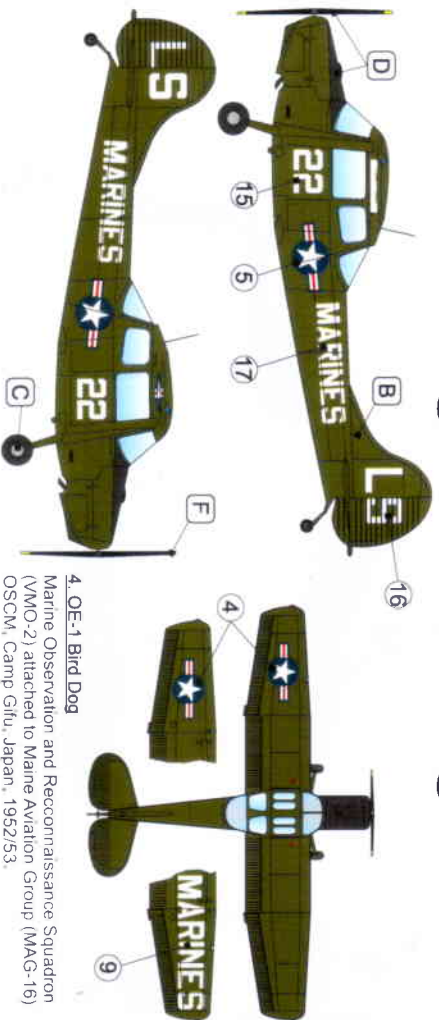
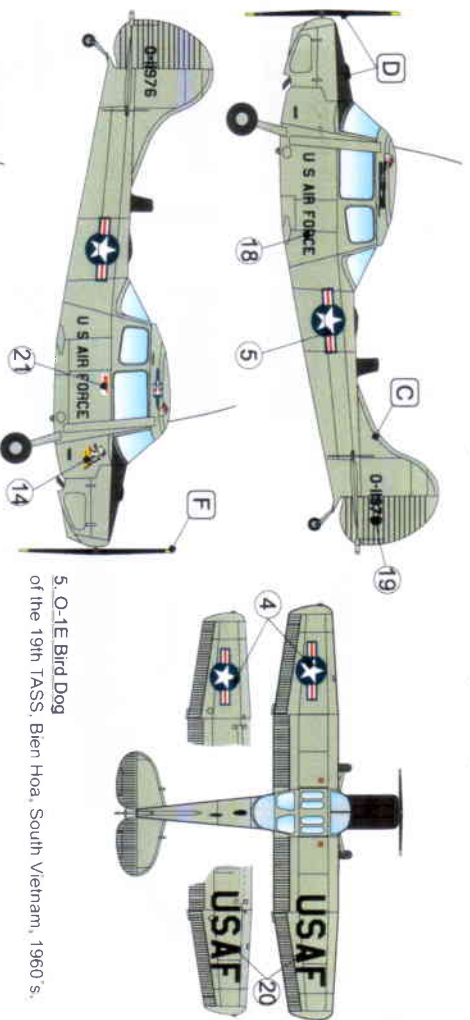


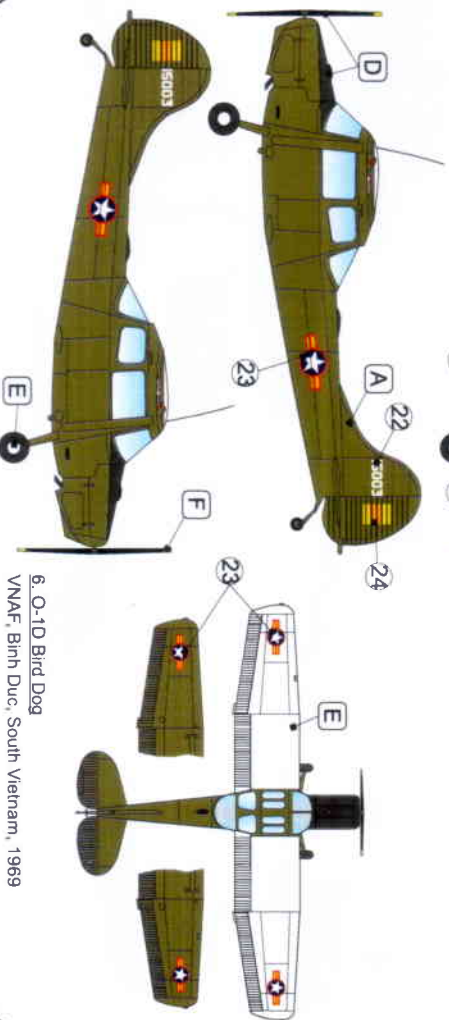
Painting and marking



4. O-1 Bird Dog
Marine Observation and Reconnaissance Squadron (VMO-2) attached to Marine Aviation Group (MAG-16) OSCM, Camp Gifu, Japan, 1952/53.



5. O-1E Bird Dog
of the 19th TASS, Bien Hoa, South Vietnam, 1960's.



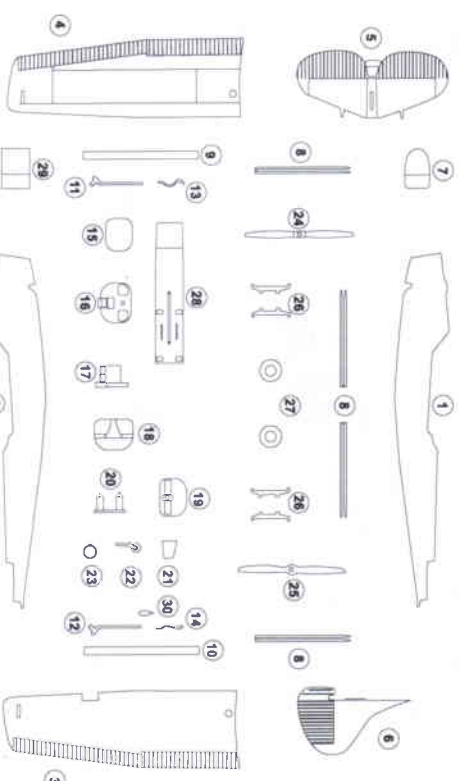
6. O-1D Bird Dog
VNAF, Binh Duc, South Vietnam, 1969



BIRD DOG

Koréa and Vietnam War

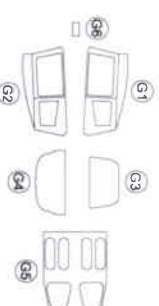
PE7266



Kabina
Canopy

Laptane díly
Photo-etched parts

Obtisky / decals



WARNING! Decal before you plunge it into a water. Be careful do not use sharp or hard tools. Use a softie brush for placement of the decal. After the decal is placed, use a fine coat of a complete air thinner than spiritolone.

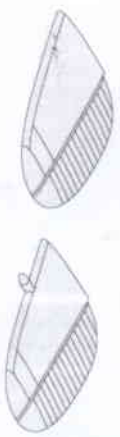
- Barrý / Colours [AK Real Colors]
- A Olive Drab FS34087/RC026
 - B Olive Green FS34095/RC209
 - C ADC Grey FS16473/RC221
 - D Black / RC001
 - E White / RC004
 - F Yellow / RC007
 - G Orange RC006

Bird Dog byl jednomotorový, lehký, vzpěrami vyztužený, hornoplošník s podvozkom na zadním kole. První prototyp vzlétl 14. prosince 1949. Dodávky byly zahájeny v prosinci 1950 a letouny se brzy začaly používat v první válce v Koreji v letech 1950 až 1953. Cessna vyrobila 3 431 letadel (1).

The Bird Dog was a single-engine, lightweight, strut-braced, high-wing monoplane with a tailwheel landing gear. The first prototype flew on 14 December 1949. Deliveries began in December 1950, and the aircraft were soon in use fighting their first war in Korea from 1950 through 1953. Cessna produced 3,431 aircraft (1).

(1) https://en.wikipedia.org/wiki/Cessna_O-1_Bird_Dog#

Option
(see colour profile for details)

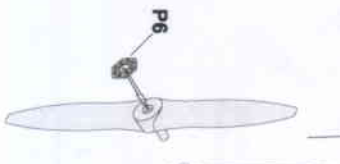
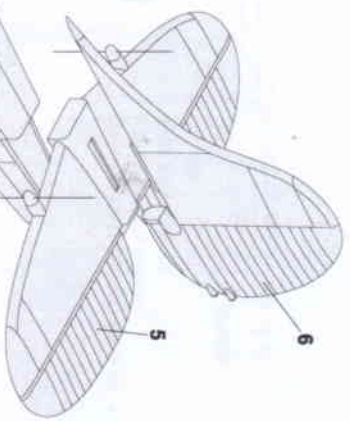


use thin wire
for FM antenna

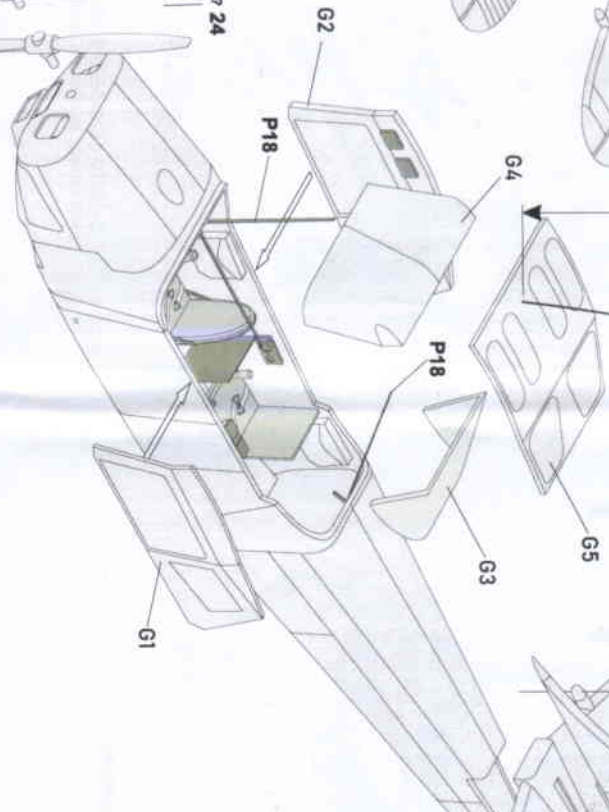


20mm

use thin wire
for FM antenna
(for FM antennas placement
on each aircraft please
refer to individual profiles)

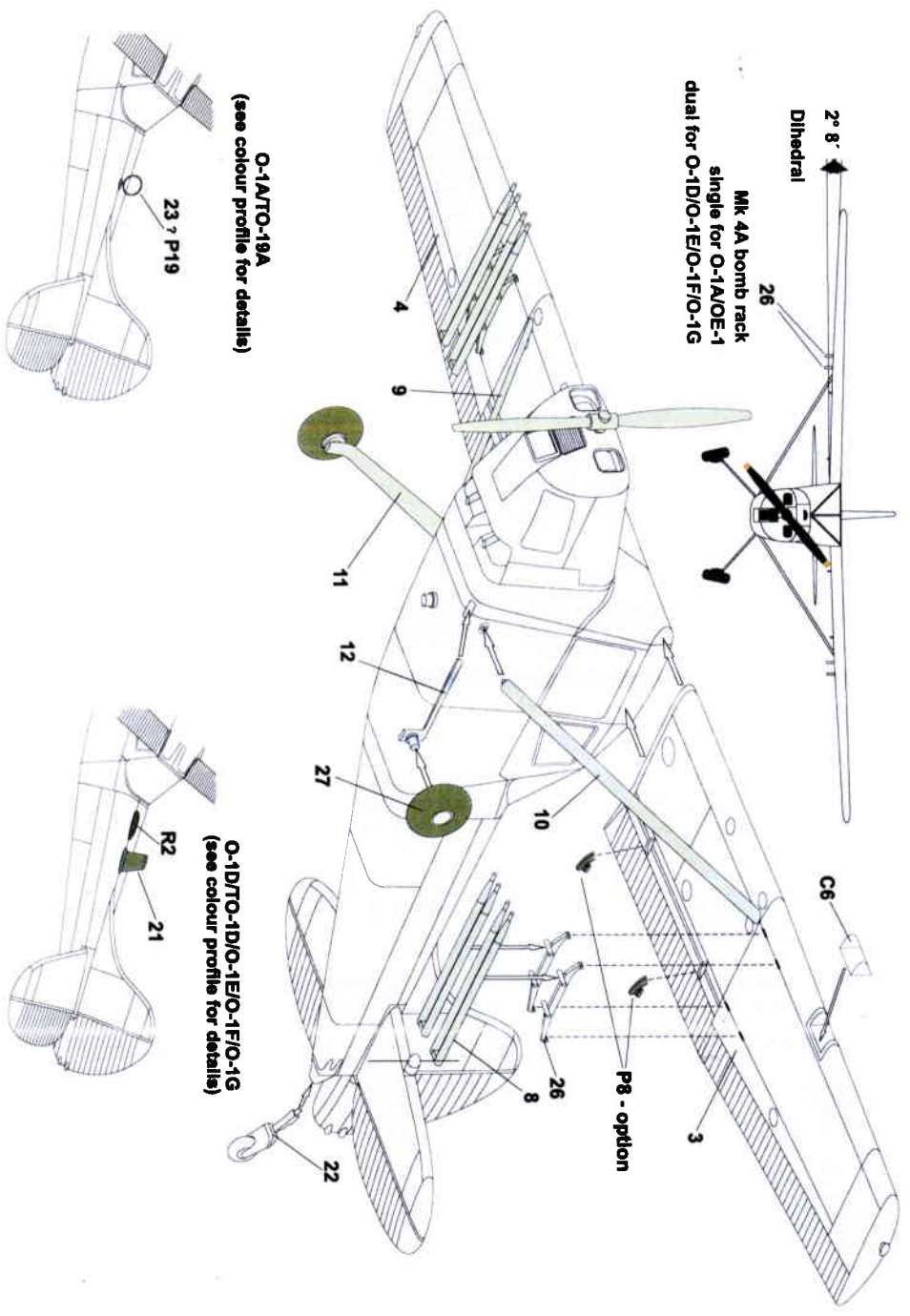


25 7 24



24 O-1D/TO-1D/O-1F/O-1G
25 O-1A/TO-1A/O-1E/TO-1E/OE-1

O-1A previously L-19A
TO-1A previously TL-19A
O-1D previously L-19D
TO-1D previously TL-19D
O-1E previously L-19E
TO-1E previously TL-19E



2° 8' Dihedral
 Mk 4A bomb rack
 single for O-1A/AOE-1
 dual for O-1D/O-1E/O-1F/O-1G

O-1A/TO-19A
 (see colour profile for details)

O-1D/TO-1D/O-1E/O-1F/O-1G
 (see colour profile for details)

P8 - option

23 P19

R2 21

R2

