



“Persian Cat” F-14A TomCat - IRIAF

イラン空軍 F-14A トムキャット

F-14A.伊朗空军“波斯猫”战斗机

PLEASE READ BEFORE OPERATION!

- * Tools recommended as below: (Not included)
Adhesives; Paints; Side Cutters; Sharp Edged Pliers; Modeling Knife; Modeling File; Nippers; Drill; Scissors; Sand Paper; Soft Cloth; Cyanoacrylate Glue.
- * Make sure to read this instruction listed below before assembling.
- * The kit contains the small parts, they can be dangerous if swallowed by mistake, so keep them away from reach of children.
- * Cut the all parts off carefully and remove the waste parts into the garbage can.
- * More caution and care should be needed for cutting and handling the photo etched parts.
- * Make attention that some parts should be attached the decal when assembled.
- * During assembling, please tear up and throw away the plastic bags, or may cause the dangerous if wearing over head by children's mistake.
- * When using the adhesives and paints, please do not use them in the closed room or near the fire, also must be very careful to protect your eyes, face and clothes.
- * Adult supervised when assembled by children under 14 years old.

装配前请仔细阅读：

- * 推荐使用的模型工具(请自备):
专用模型胶水, 专用模型油漆, 水口剪刀, 长咀钳, 刀片, 锉刀, 镊子钳, 钻, 剪刀, 软布, 砂纸, 瞬间快干胶等。
- * 用水口剪刀或刀片小心切下所有塑胶零件和蚀刻片零件, 不要遗失小零件。
- * 切取蚀刻片时应特别注意防止利边划伤手指。
- * 用模型锉刀小心锉平所有零件表面的注射浇口。
- * 用适量的强力快干胶水粘合蚀刻片零件和金属轴, 切忌过量, 否则可能导致可动零件被粘住。
- * 注意某些零件表面需在装配时同步贴水上贴纸。
- * 制作时应远离幼儿并将包装袋及时收妥, 谨防小孩玩耍而引起意外。



强力胶

Cyanoacrylate glue



配重

Weight



钻孔

Make hole



切除

Cut /Remove



选择

Option



不涂胶水

No cement



贴纸

Decal



弯曲

Bend



填补

Repair



先装

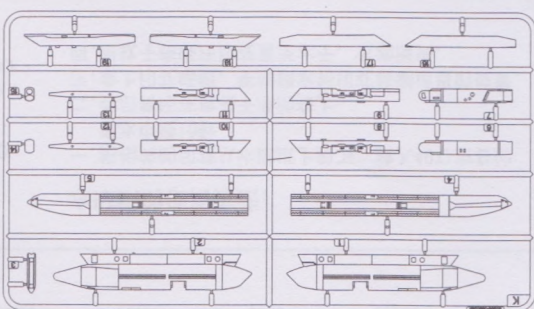
Install it first

The method to apply the decals

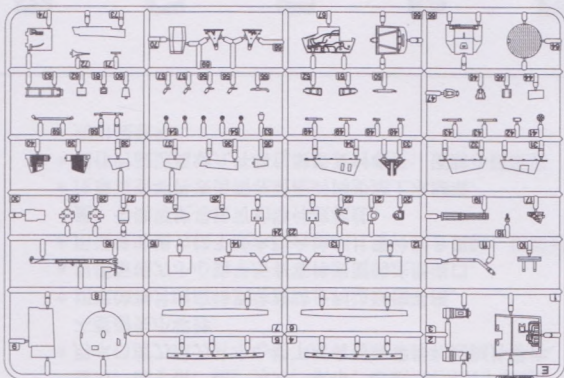
1. Cut off the decal from the decal paper and put it into the warm water 40°C for 10 seconds.
2. Take the decal from the water and put it on a piece of clean cloth.
3. Remove the decal slowly from the paper to the targeted location by a wet finger.
4. Use a piece of dry and soft cloth to press it gently on the decal until it getting dry and no bubble existing.

水贴纸的使用方法：

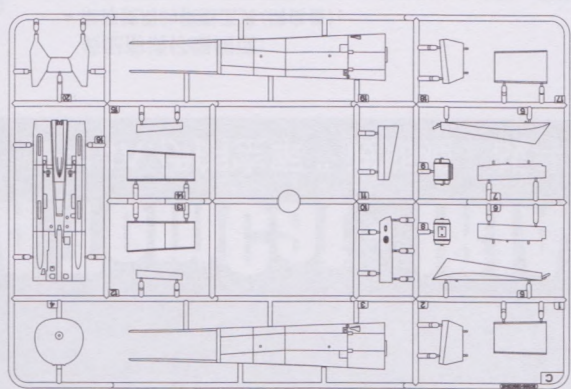
- 一. 把相关的印花从水贴纸上剪下, 放入40°C左右的温水中浸10秒。
- 二. 然后将印花放在干净的布上。
- 三. 拿上印花纸板, 手指蘸水将印花移到适当的位置。
- 四. 用软干布轻压印花直至水干, 气泡消失。



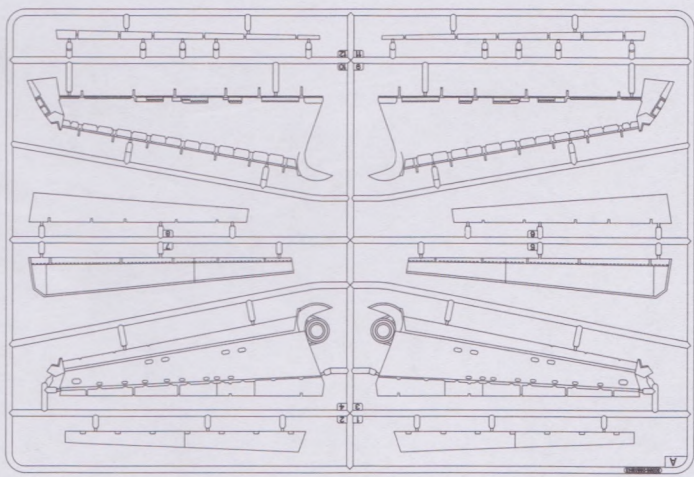
K



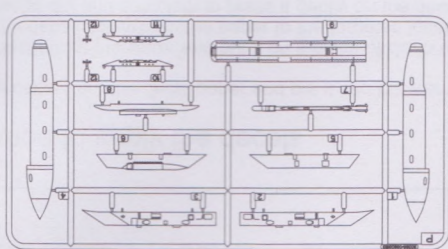
E



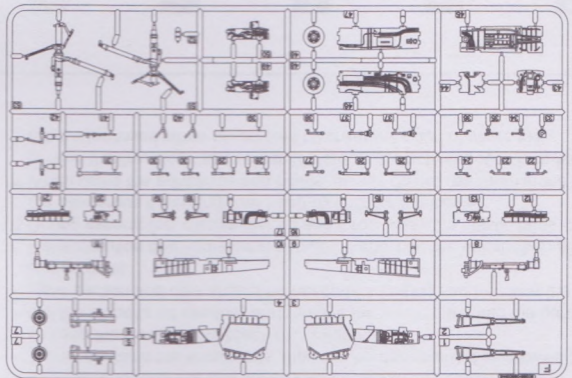
C



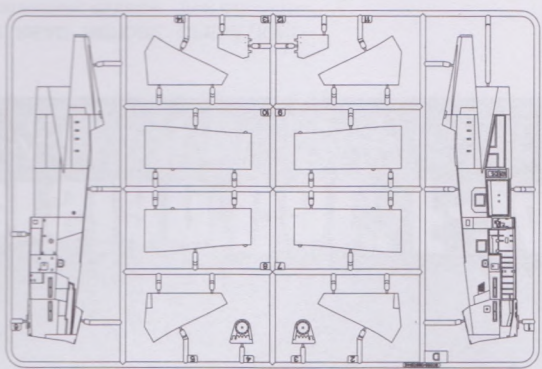
A



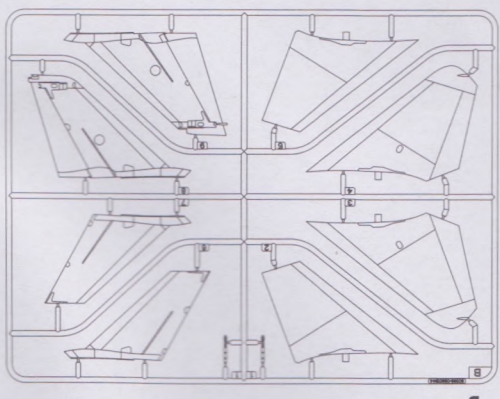
P2



F



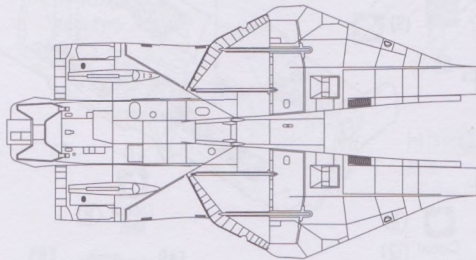
D



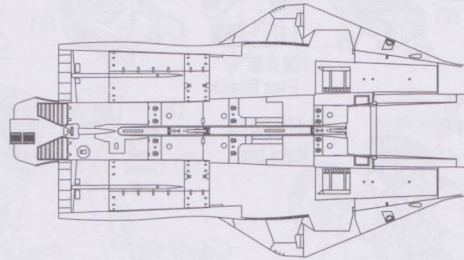
B

部品图 Parts

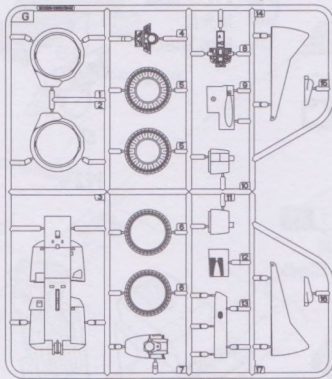
《上部机身》
Top Fuselage



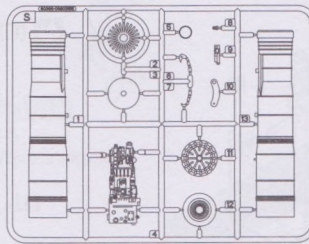
《下部机身》
Lower Fuselage



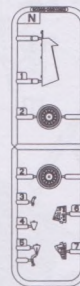
G



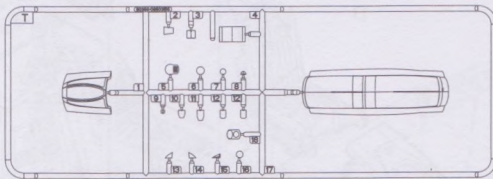
Sx2



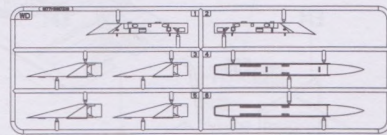
N



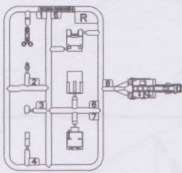
T



WDx2



Rx2



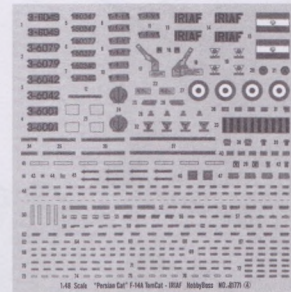
《前轮胎》x2
Nose tyre



《主轮胎》x2
Main tyre

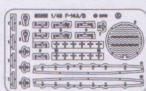


《水贴》A
Decal A



《蚀刻片》

Photo etched parts(PE)

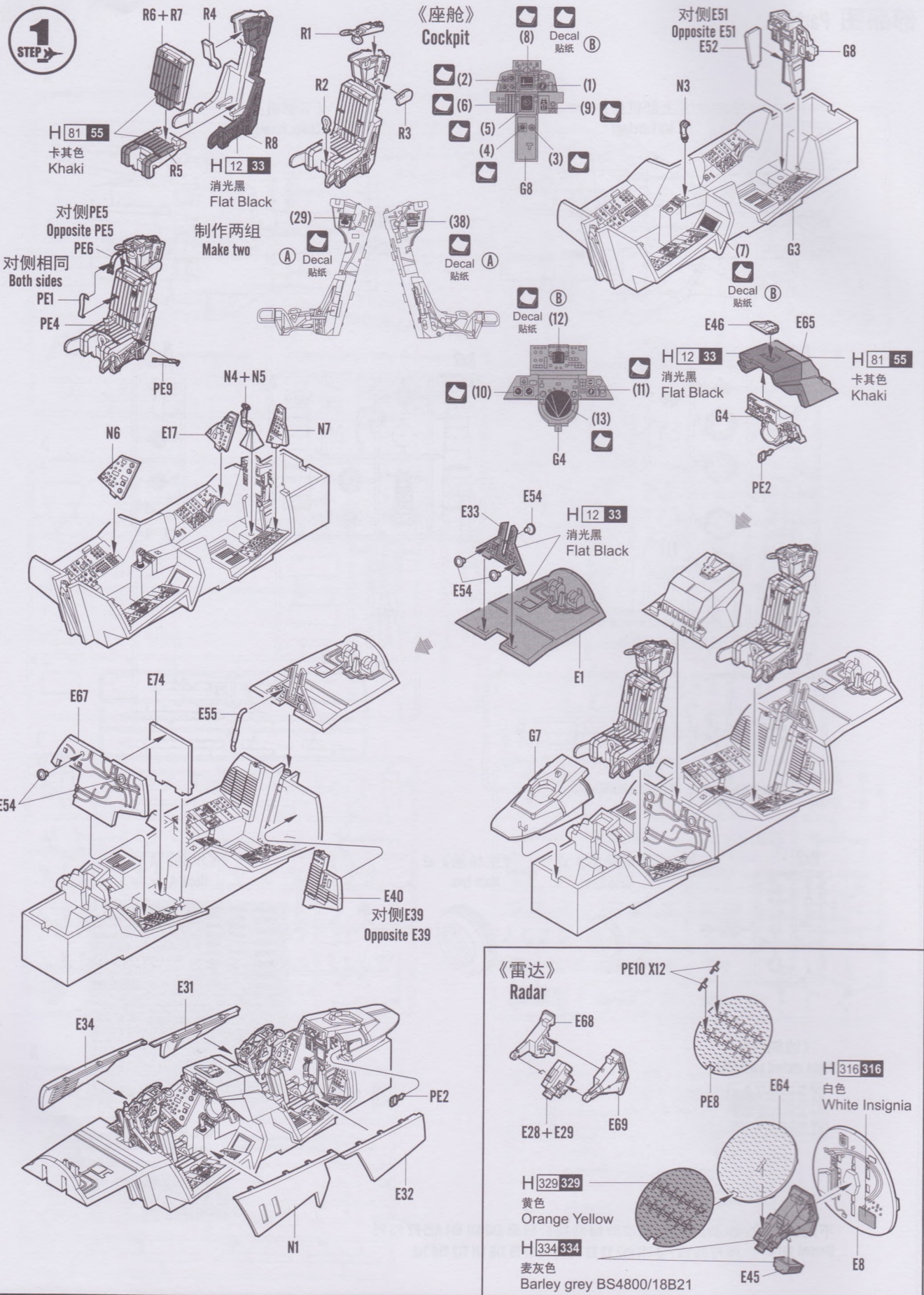


《水贴》B
Decal B



不用的部件: E18 E25 E26 E36 K1 K2 K3 K4 K5 K6 K7 K8 K9 K10 K11 K14 K15 P2 P3 P5
Unused parts P6 P7 P8 P9 P10 P11 P12 T2 T3 T4 T5 T6 T7 T8 T10 T11 T12 T16 T18

1
STEP

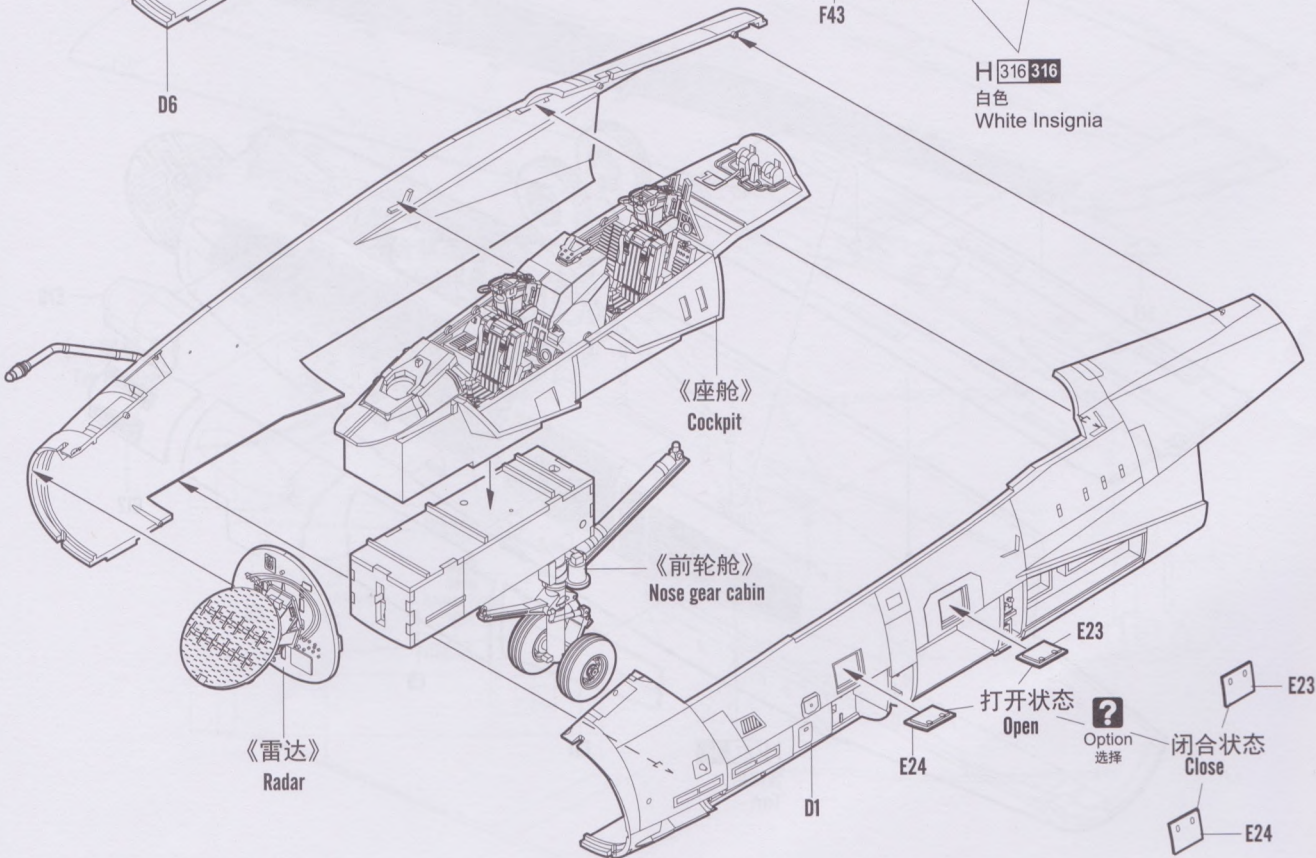
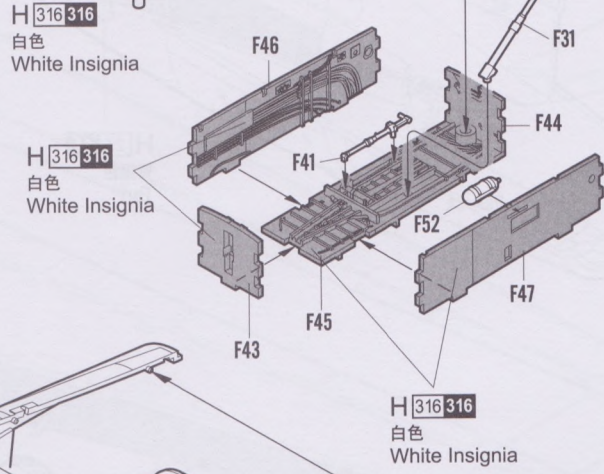
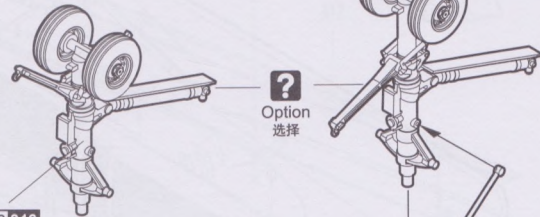
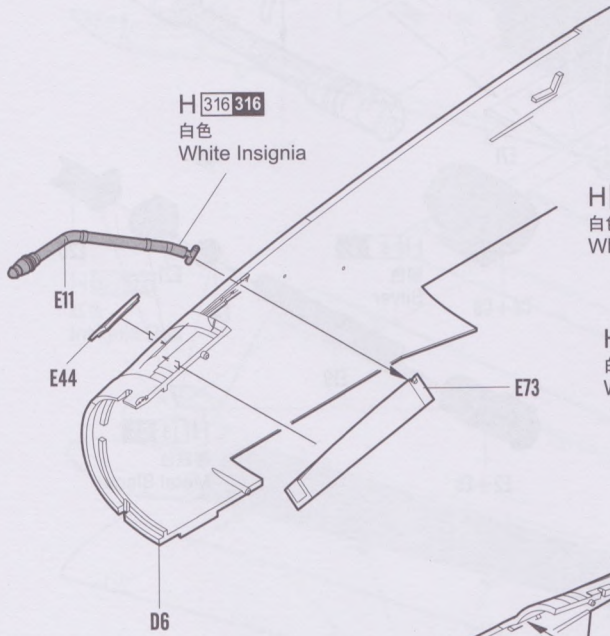
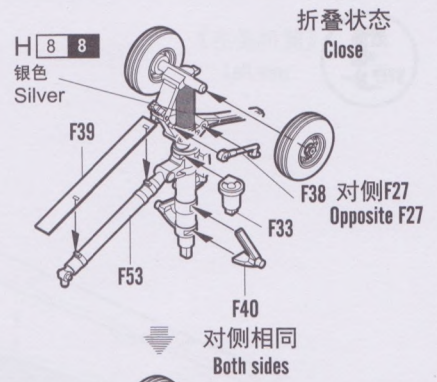
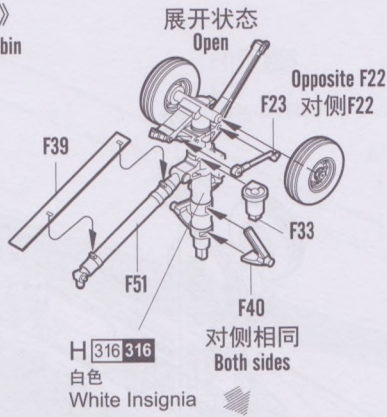


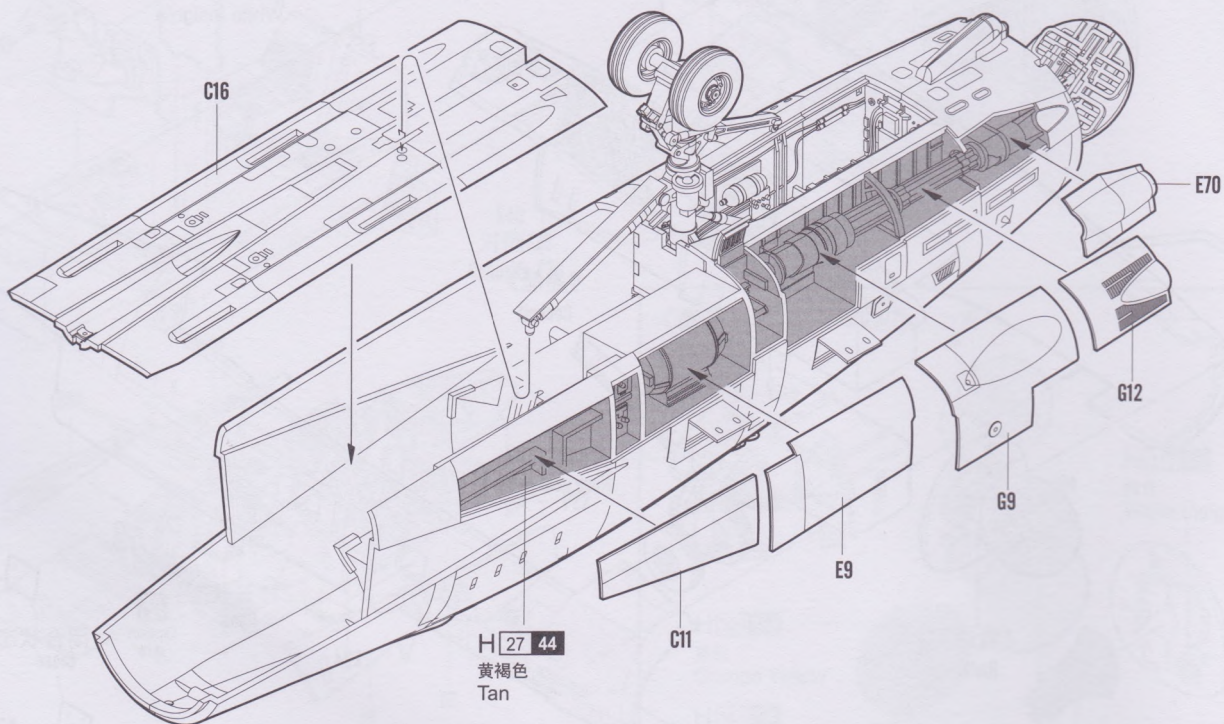
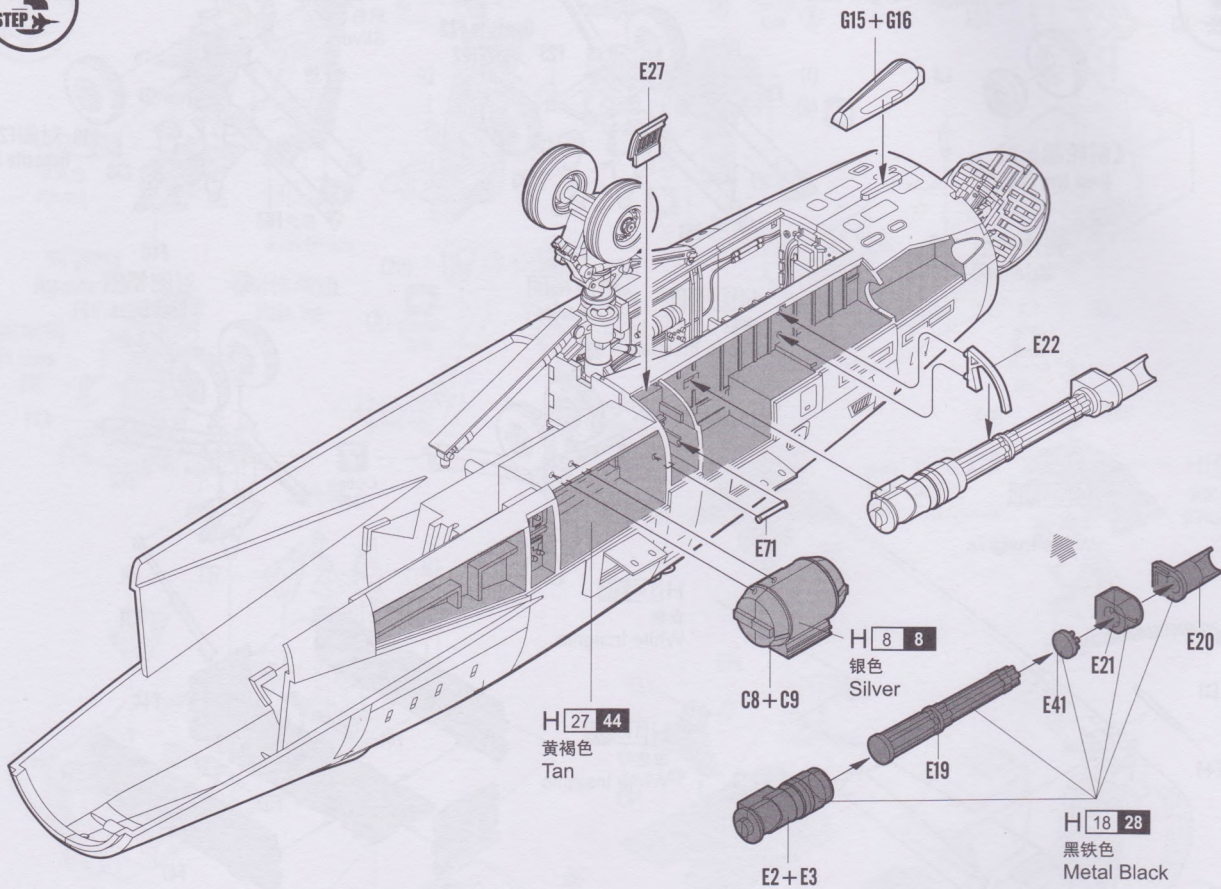
2
STEP

《前轮舱》
Nose gear cabin



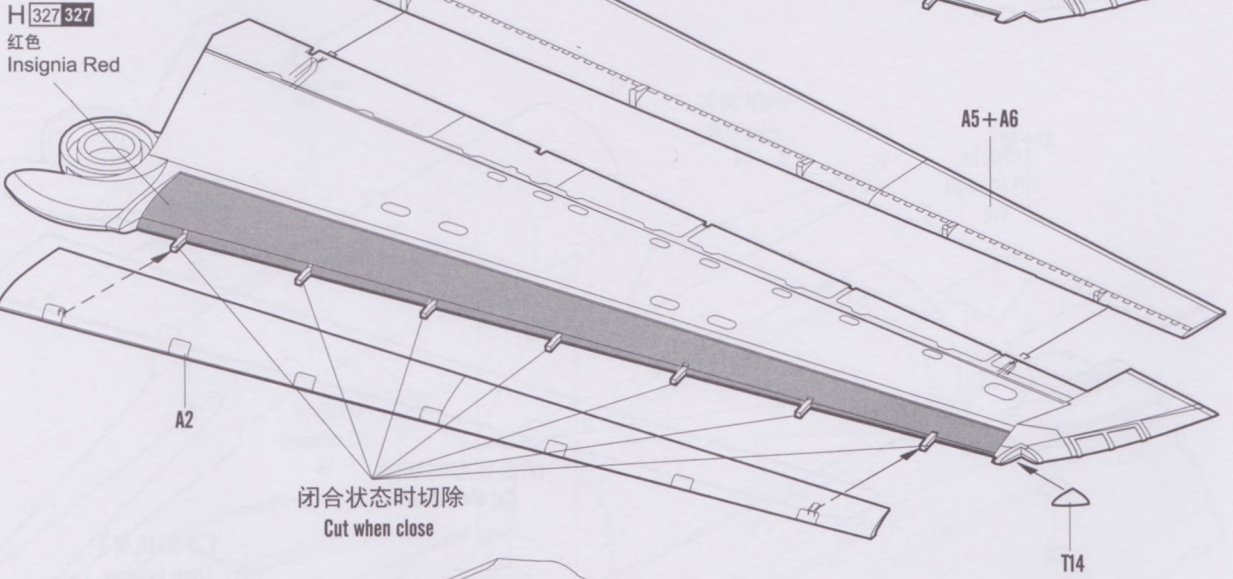
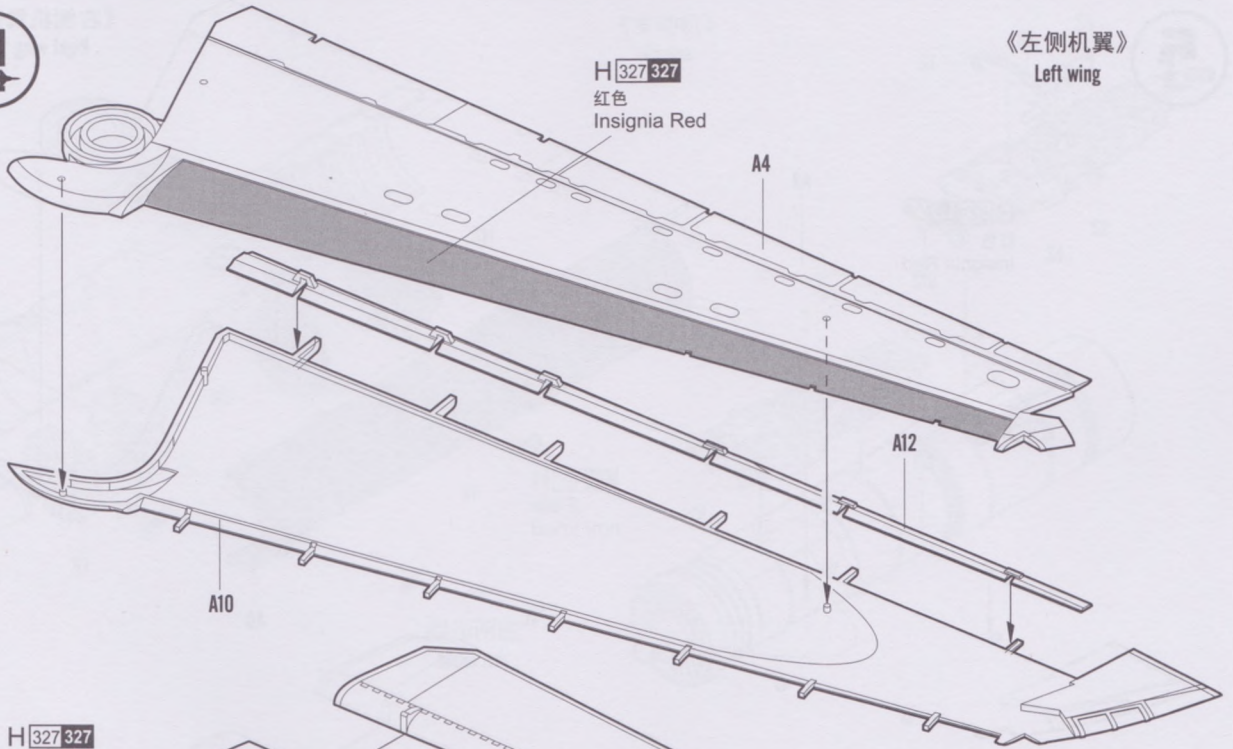
制作两组
Make two



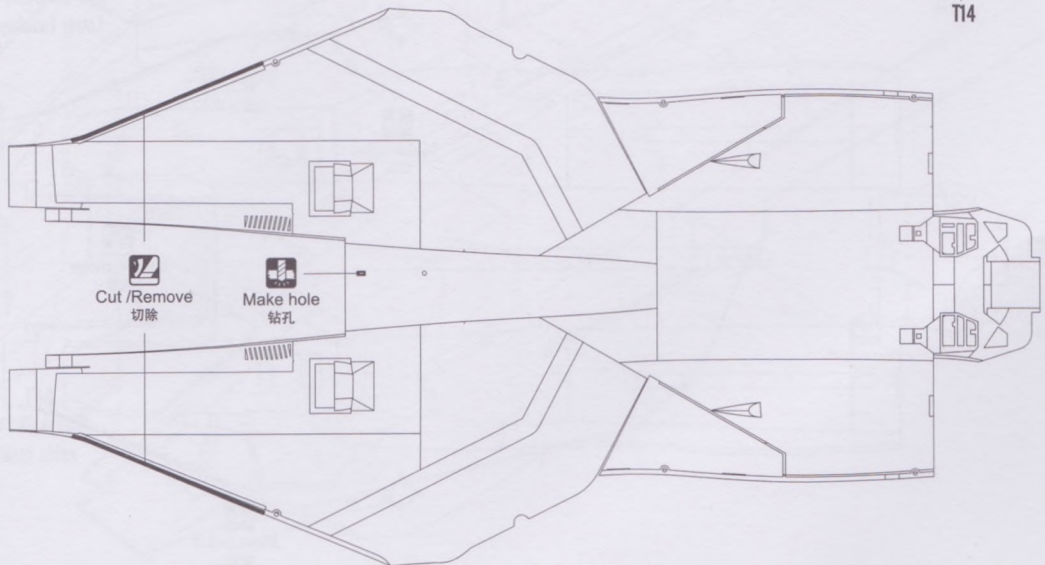




《左侧机翼》
Left wing

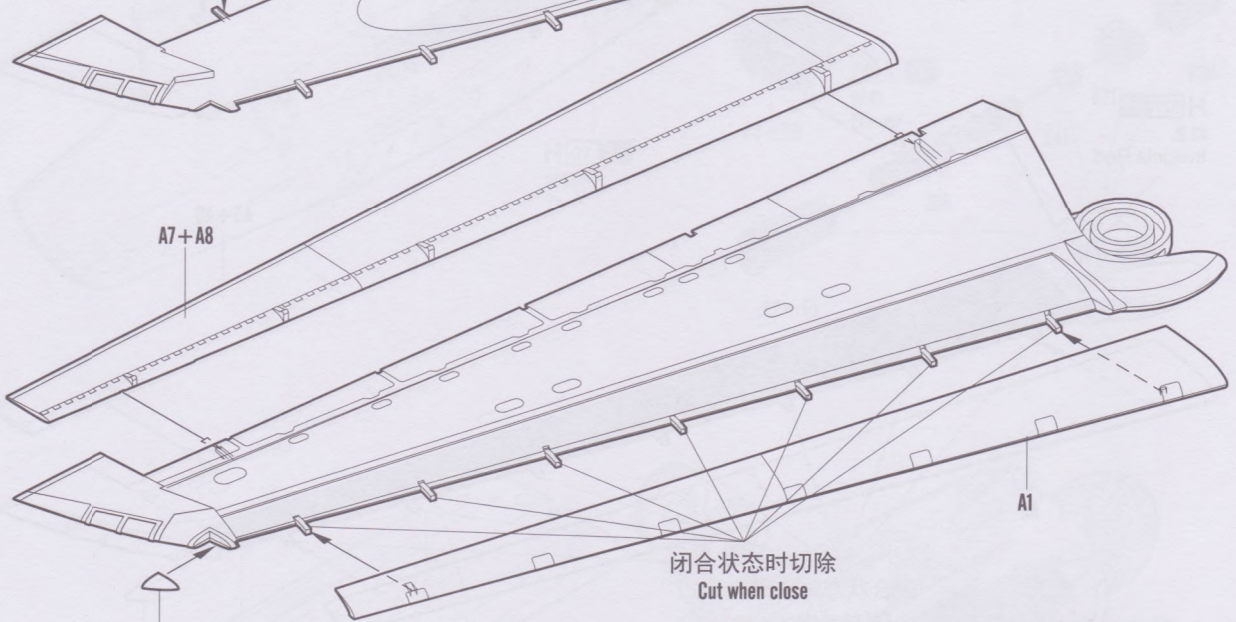
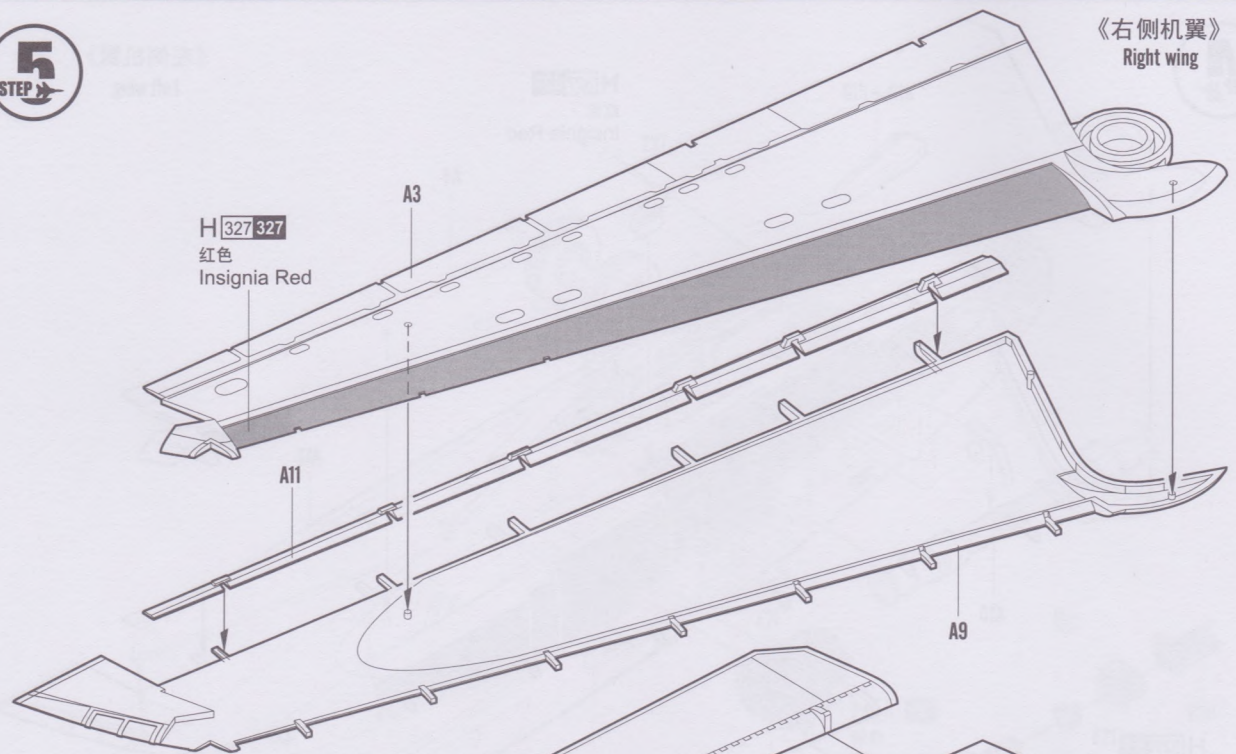


《上部机身》
Top Fuselage

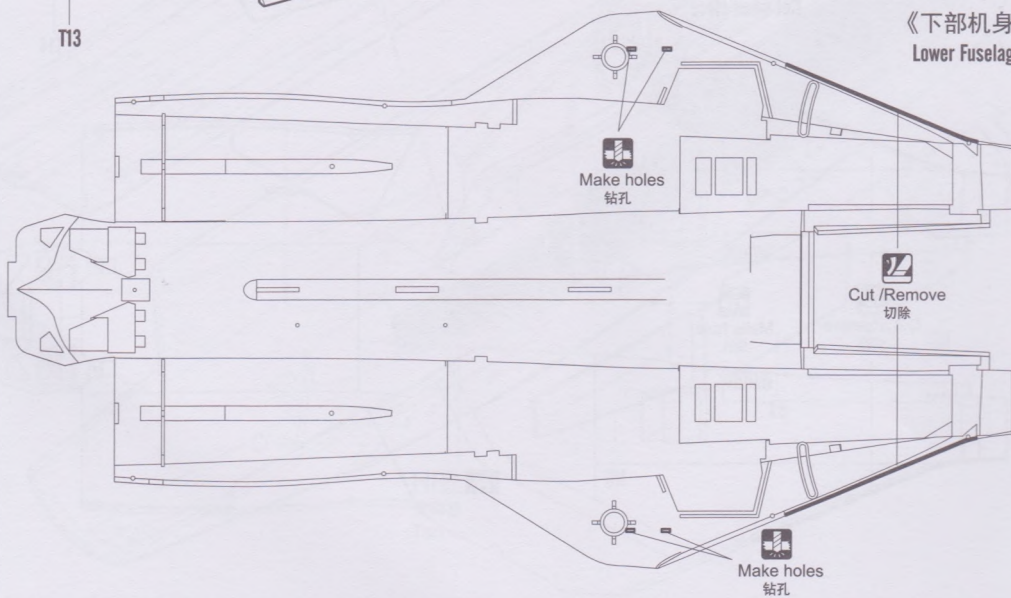




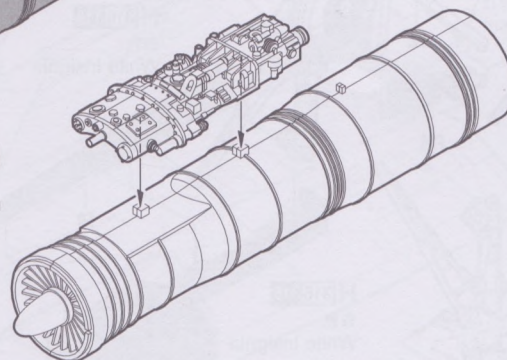
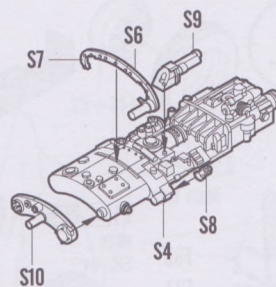
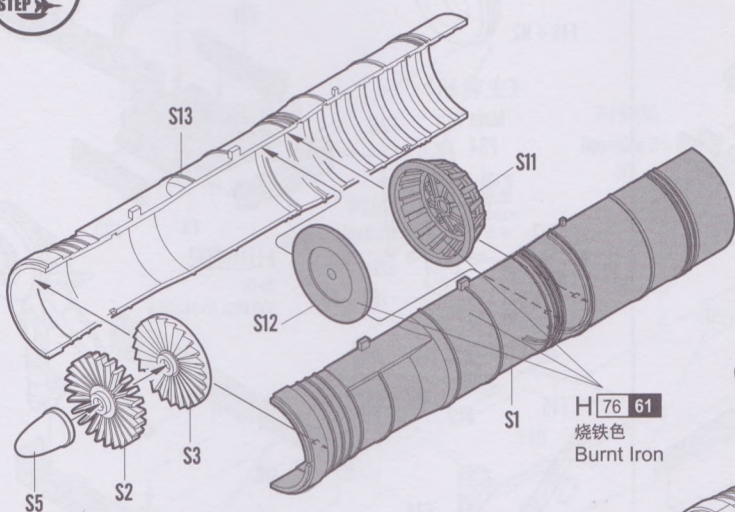
《右侧机翼》
Right wing



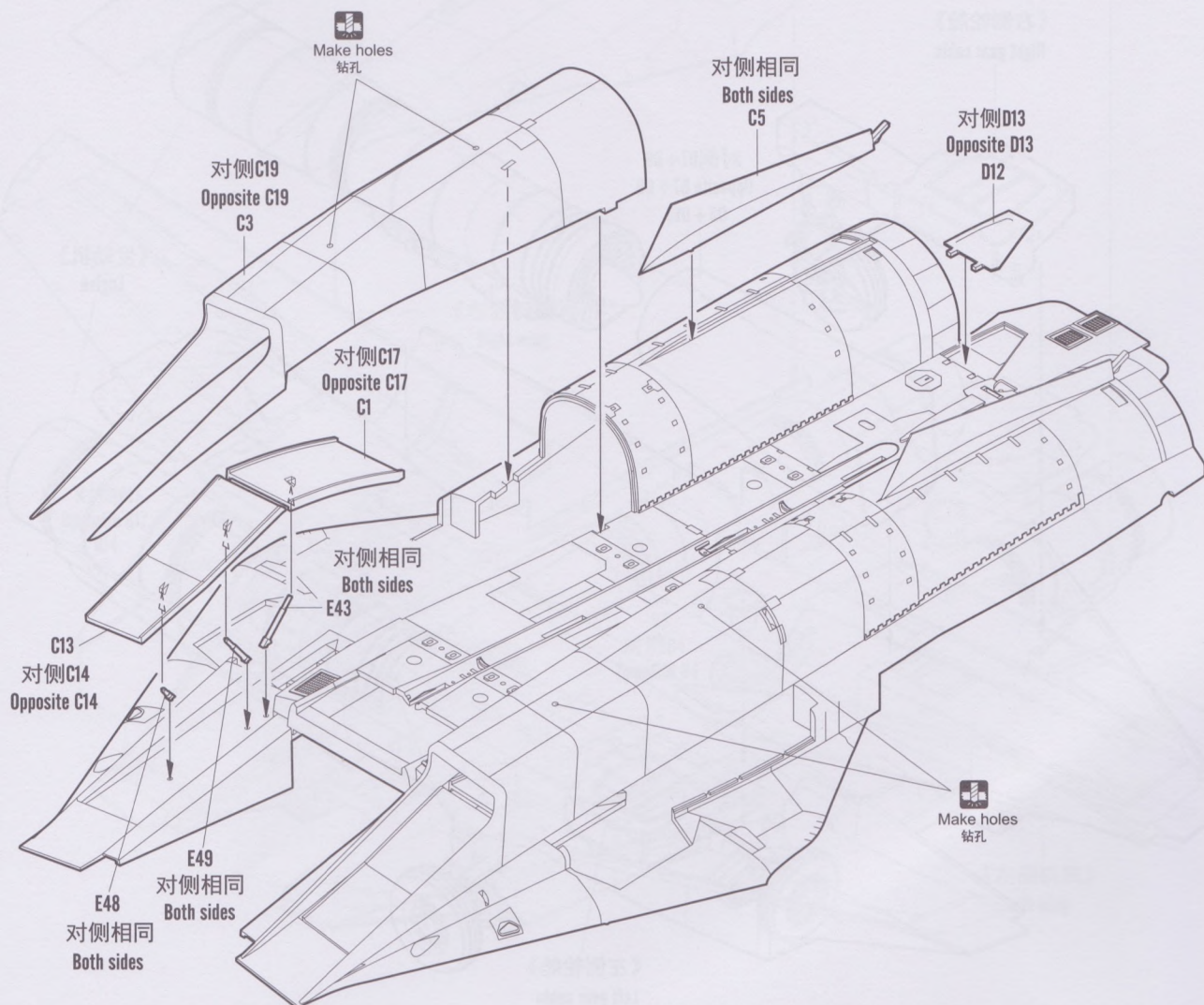
《下部机身》
Lower Fuselage



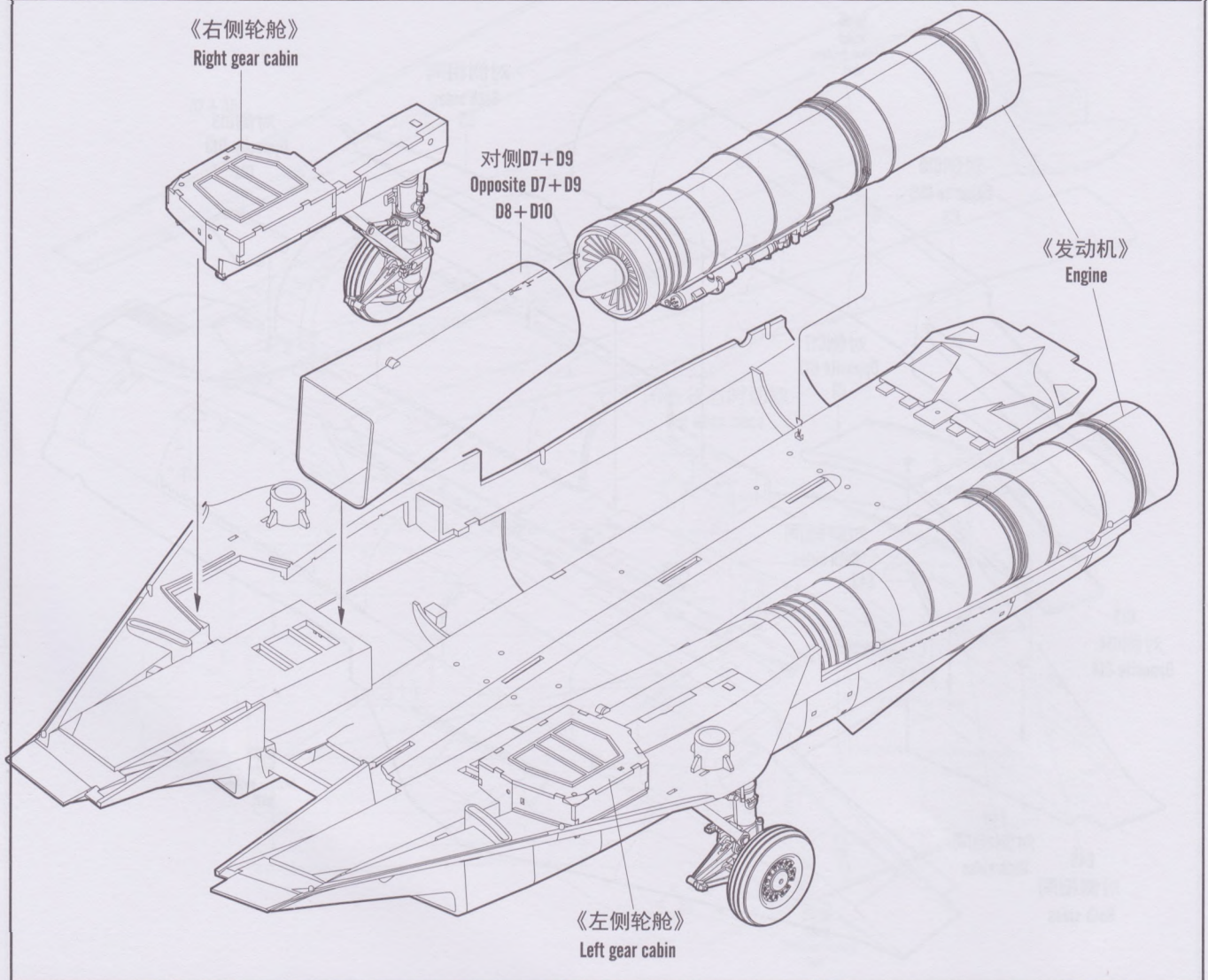
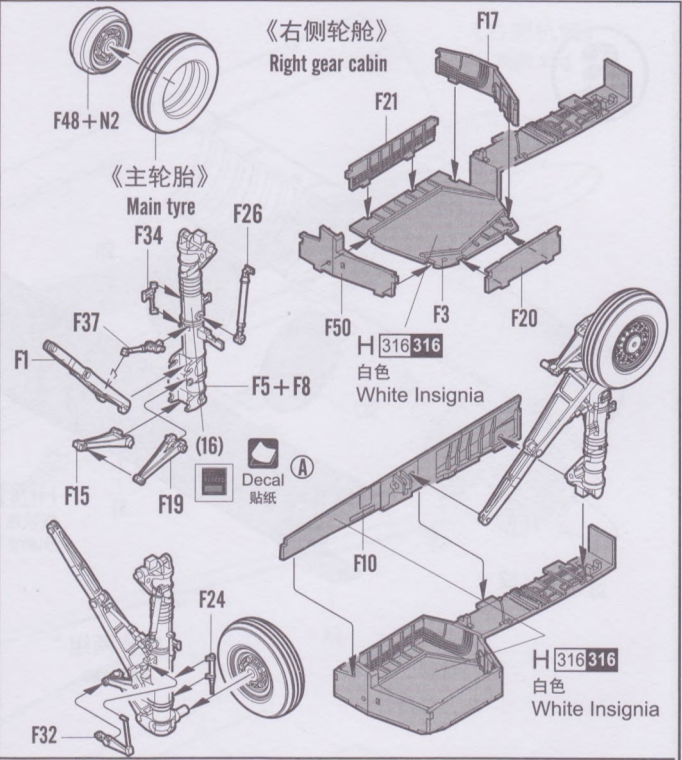
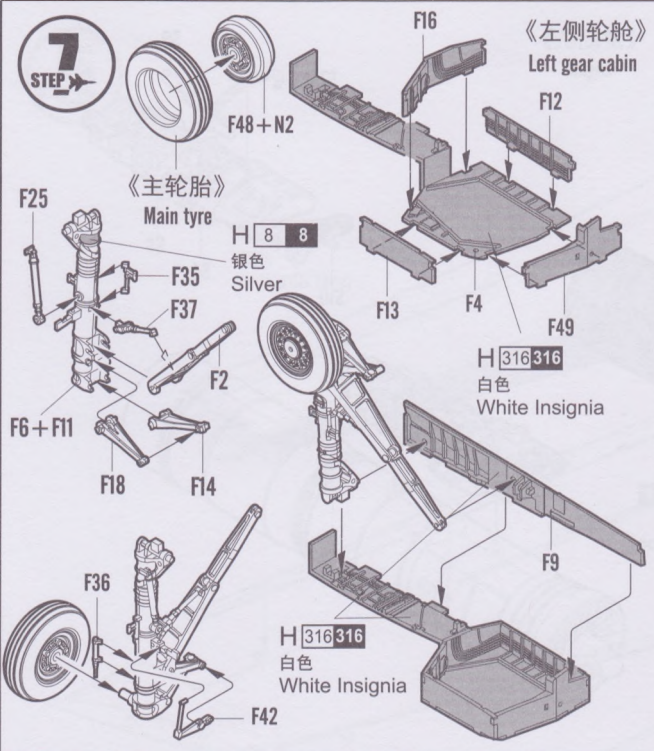
《发动机》
Engine



制作两组
Make two



7
STEP





对侧D11
Opposite D11
D14

对侧D5
Opposite D5
D2

对侧E12
Opposite E12
E15

?
Option
选择

C20

B1

H327327
红色
Insignia Red

E60

E53

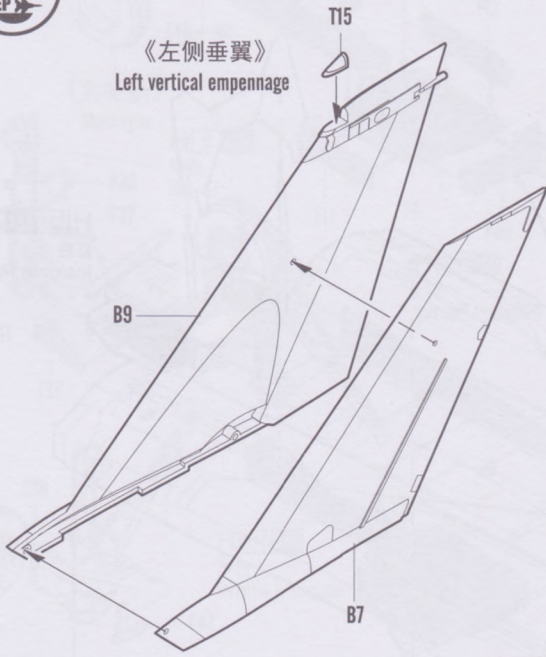
《右侧机翼》
Right wing

对侧G17
Opposite G17
G14

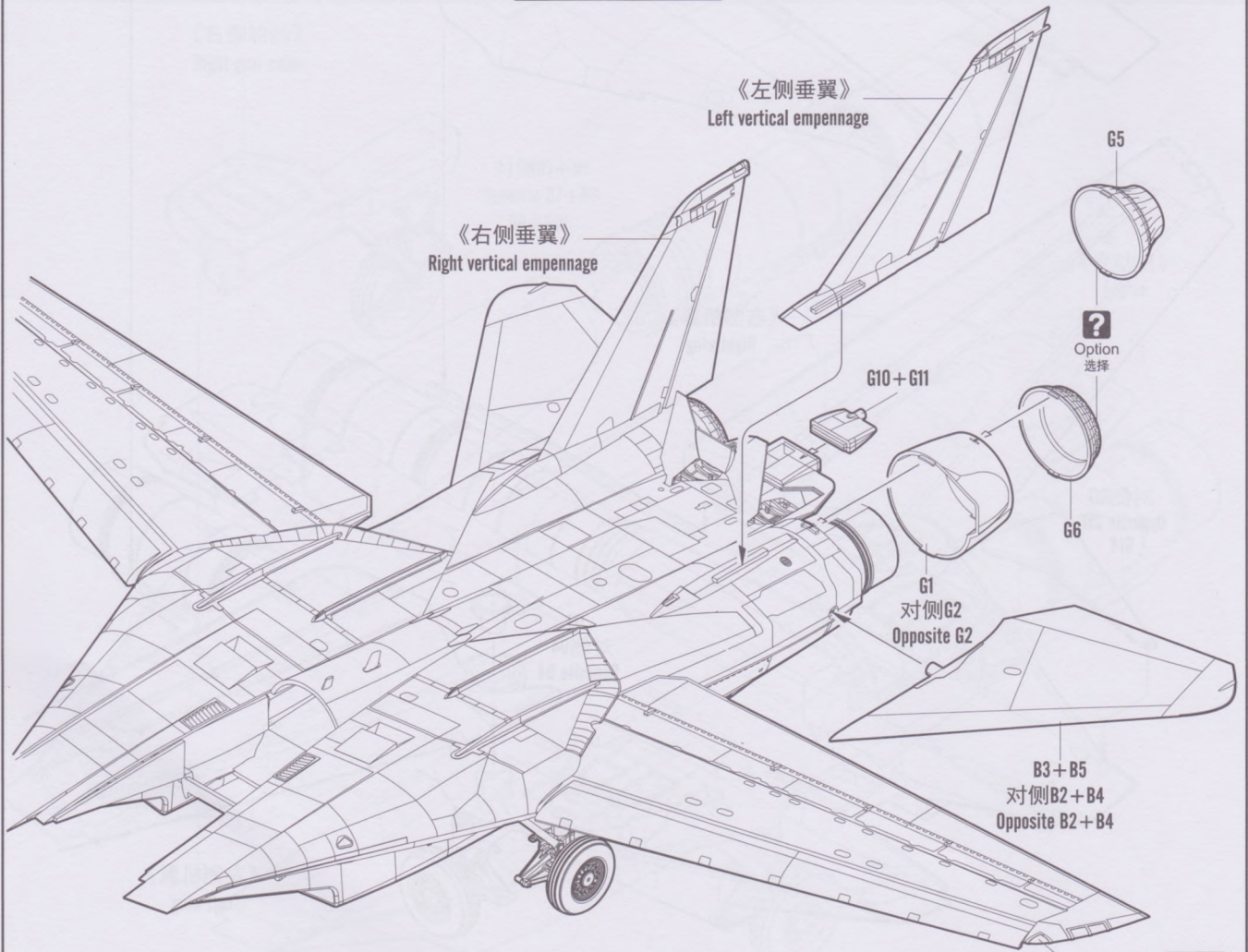
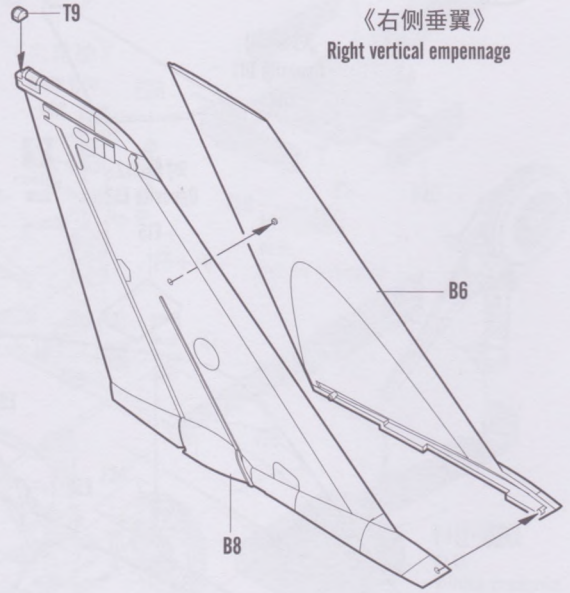
D3
对侧D4
Opposite D4

《左侧机翼》
Left wing

《左侧垂翼》
Left vertical empennage



《右侧垂翼》
Right vertical empennage



H 90 47

透明红
Clear Red

10
STEP

PE12 对侧 PE11
Opposite PE11

E7 对侧 E6
Opposite E6

打开状态时使用
Use only when open

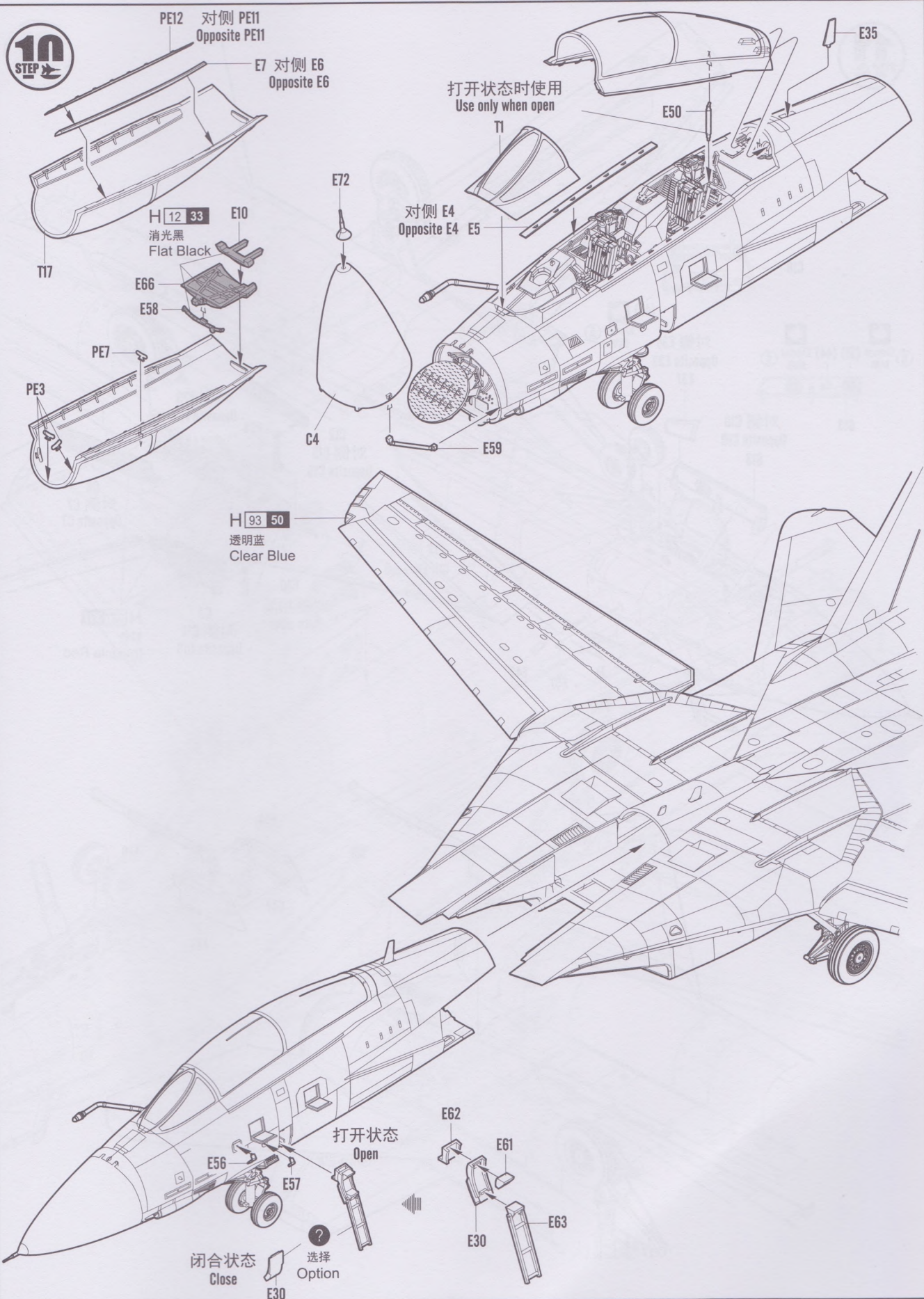
对侧 E4
Opposite E4

H 93 50
透明蓝
Clear Blue

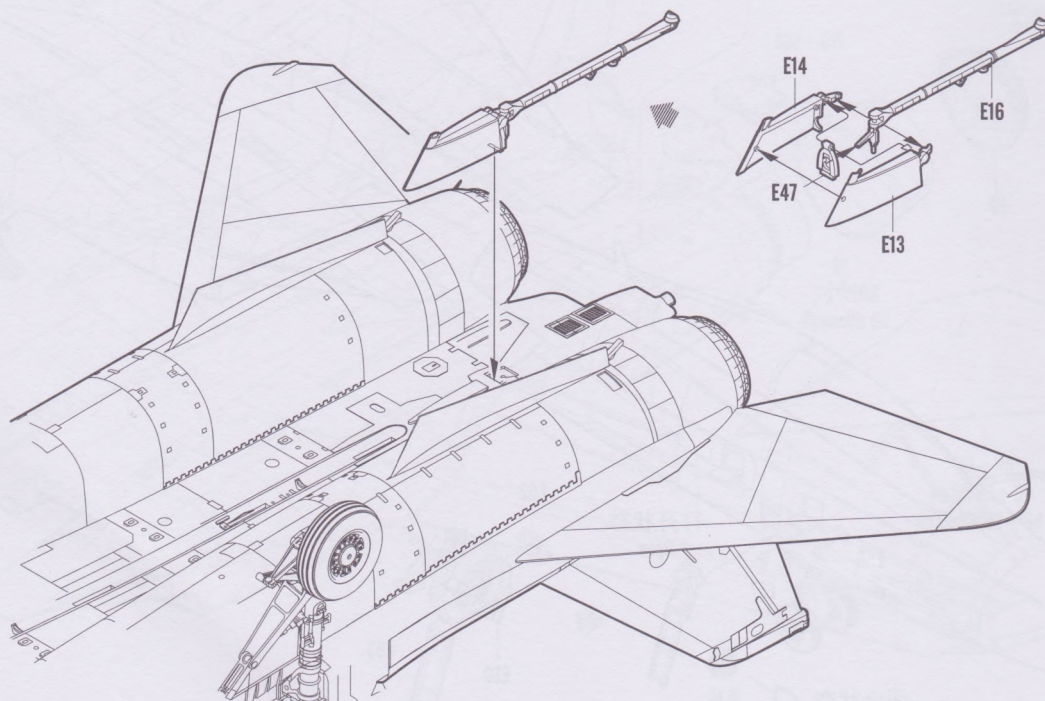
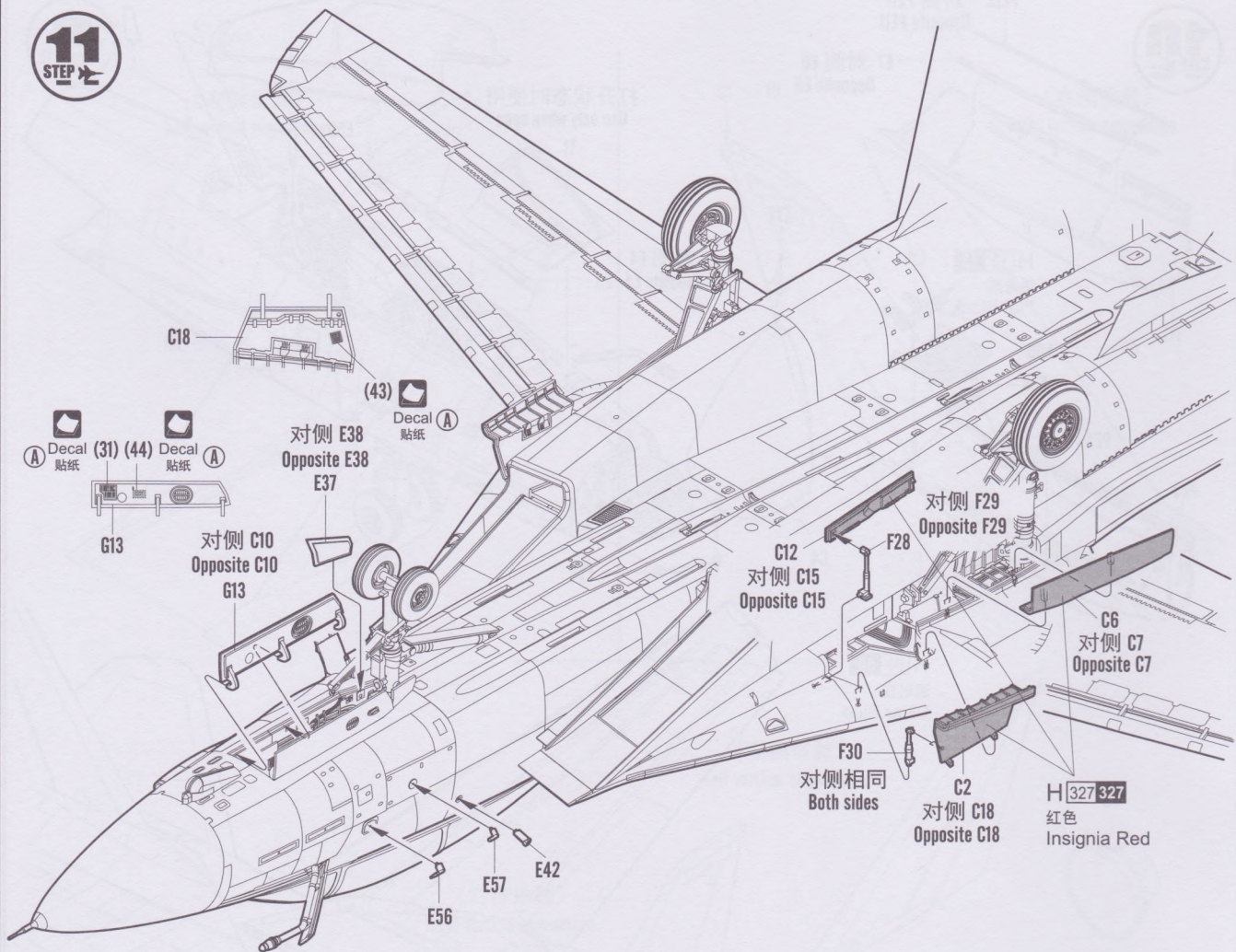
打开状态
Open

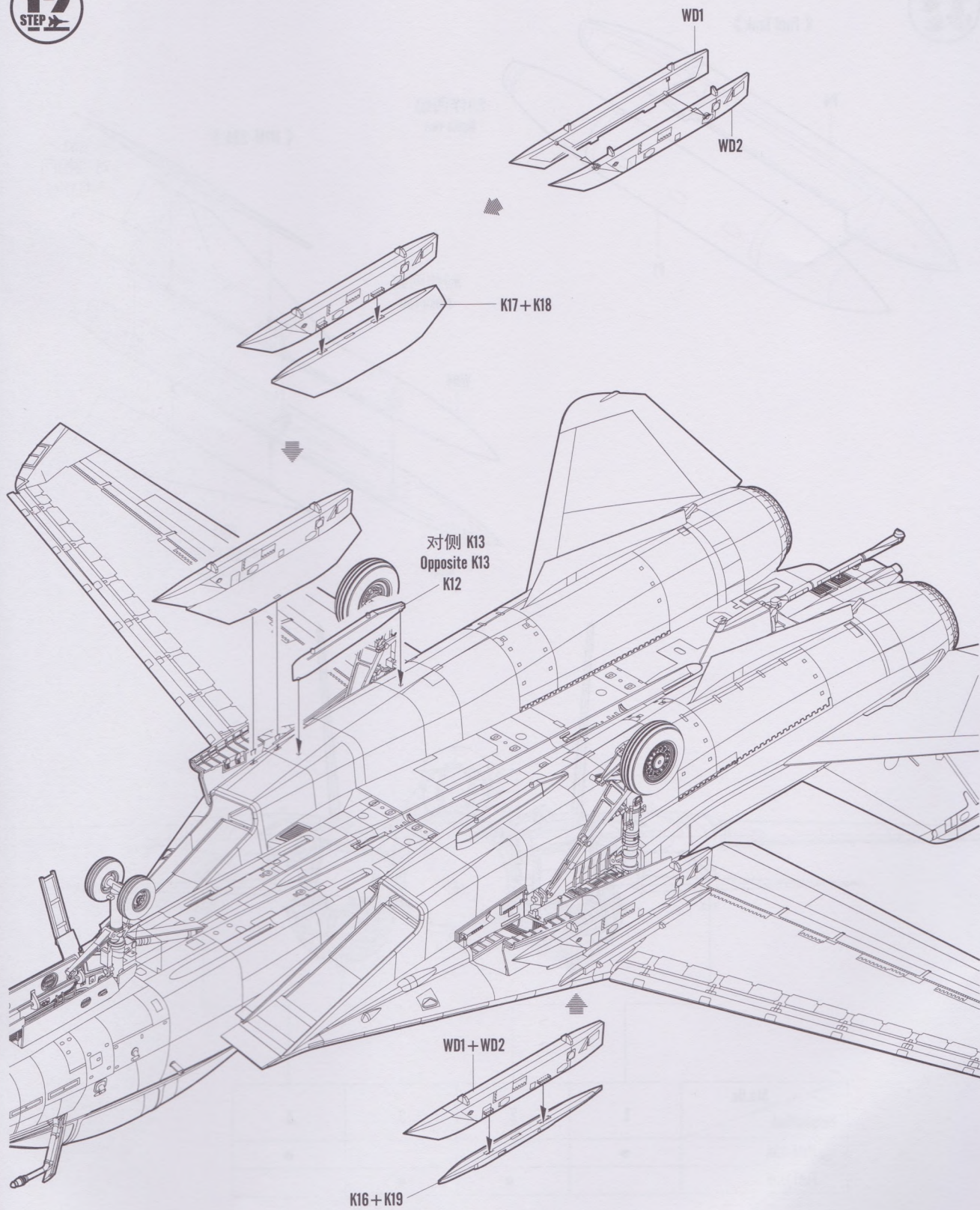
闭合状态
Close

选择
Option

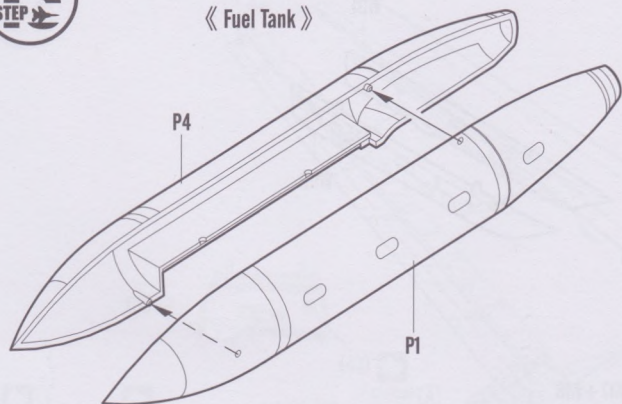


11
STEP



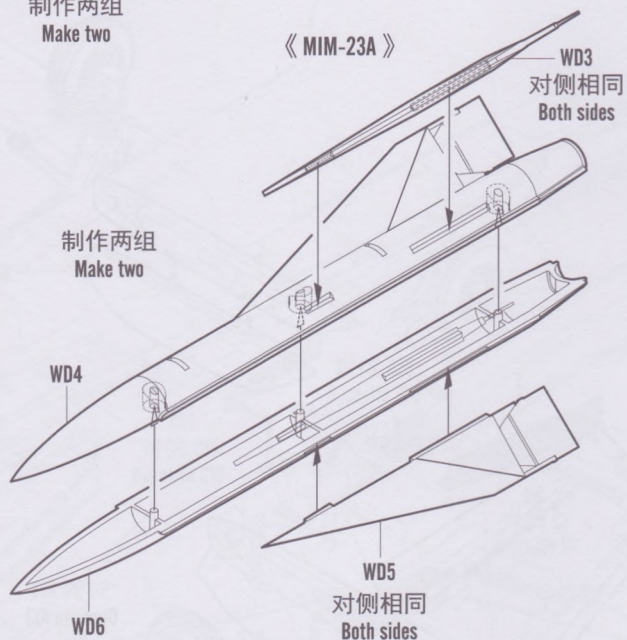


《 Fuel Tank 》



制作两组
Make two

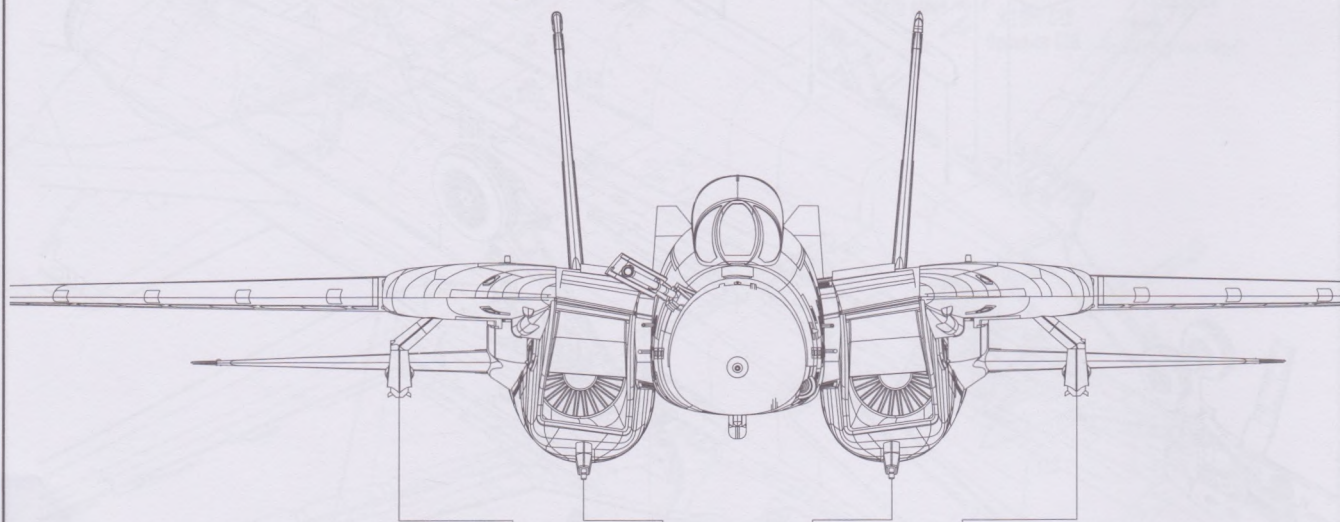
《 MIM-23A 》



制作两组
Make two

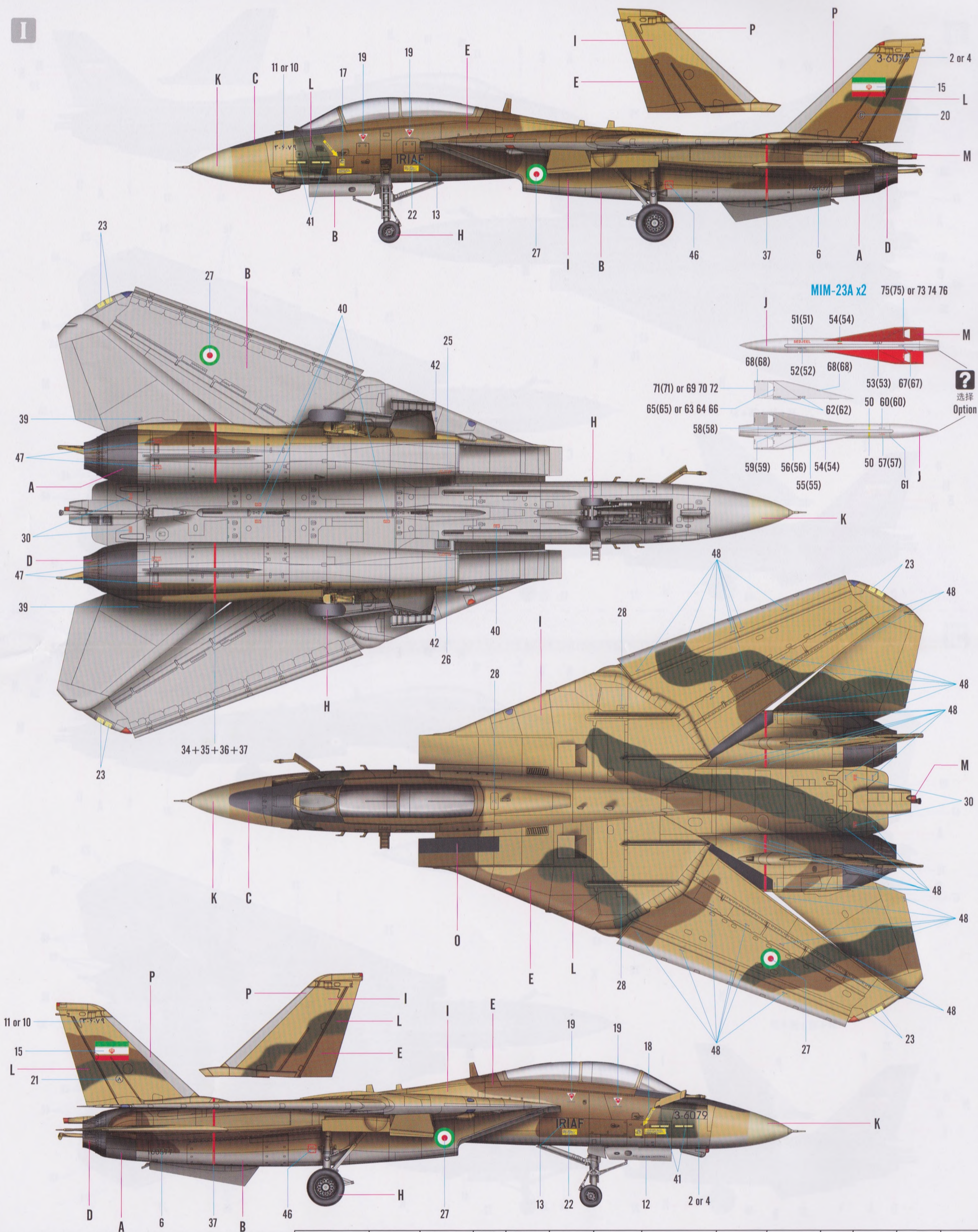
WD3
对侧相同
Both sides

WD5
对侧相同
Both sides



Sta.No.	1	2	3	4
Missile/Tank				
MIM-23A	•			•
Fuel Tank		•	•	

I



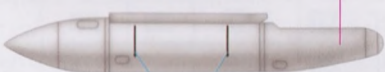
Color	Mr.Hobby	Acrycion	Vallejo	Model Master	Tamiya	Humbrol	Color	Mr.Hobby	Acrycion	Vallejo	Model Master	Tamiya	Humbrol
A 黑铁色 Steel	H 18 28	N 18	864	1402	--	--	E 木棕色 Wood Brown	H 37 43	N 37	983	1701	--	186
B 灰色 Grey	H 311 311	N 311	883	1733	XF65	28	F 浅灰兰 Gray Blue	H 337 337	N 337	--	1721	XF20	145
C 消光黑 Flat Black	H 12 33	N 12	950	1749	XF1	33	G 浅机体色 Light Aircraft Gray	H 332 332	N 332	--	--	--	--
D 烧铁色 Burnt Iron	H 76 61	N 76	863	1795	X10	53	H 胎黑色 Tyre Black	H 77 137	N 77	--	--	--	--

H AQUEOUS HOBBY COLOR M Mr. COLOR N ACRYCION COLOR

* Some paints may not be available in your country. Please check your local hobby shop for substitute



Fuel Tank x2



45(45)

Color	Mr.Hobby	Acrycion	Vallejo	Model Master	Tamiya	Humbrol	Color	Mr.Hobby	Acrycion	Vallejo	Model Master	Tamiya	Humbrol
I 黄褐色 Tan	H 27 44	N 27	981	--	--	9	M 红色 Insignia Red	H 327 327	N 327	957	1705	XF7	153
J 白色 White Insignia	H 316 316	N 316	991	1745	X2	22	N 橄榄色 Olive Drab	H 304 304	N 304	887	1711	XF62	155
K 整流罩色 Radome	H 318 318	N 318	917	1709	--	148	O 灰色 Engine Gray	H 301 301	N 301	866	--	XF24	--
L 绿色 Forest Green	H 309 309	N 309	893	1710	XF58	116	P 银色 Silver	H 8 8	N 8	997	1546	X11	11

H AQUEOUS HOBBY COLOR M Mr. COLOR N ACRYCION COLOR

*Some paints may not be available in your country. Please check your local hobby shop for substitute