


BAC/AEROSPATIALE CONCORDE






mpc
78-4733-250[®]

Concorde: Technically the most advanced airliner ever to reach regular passenger service. Designed for a cruising speed of 1,350 m.p.h. (Mach 2.05) or twice the speed of sound. This advanced aircraft can trace its history back to the mid-1950s when Britain and France undertook independent studies on supersonic transports. Due to the high cost involved in undertaking such projects alone, Britain and France signed an agreement on November 29th, 1962, to build an aircraft capable of carrying an economic payload from Paris to New York at a speed of Mach 2.2. British Aircraft Corporation and Aerospatiale of France were the two airframe companies involved, while Rolls-Royce and Snecma were to design the engine.

Much of the fuel capacity of 211,100lb or 26,260 gal. is housed in the wing and it assists with trimming the aircraft when the centre of pressure moves aft at high speed, the fuel being pumped fore and aft as necessary. The four Rolls-Royce/Snecma Olympus 593 turbojets swallow nearly half a ton of air a second in the cruise and produce a take-off sea-level thrust of 38,050lb each.

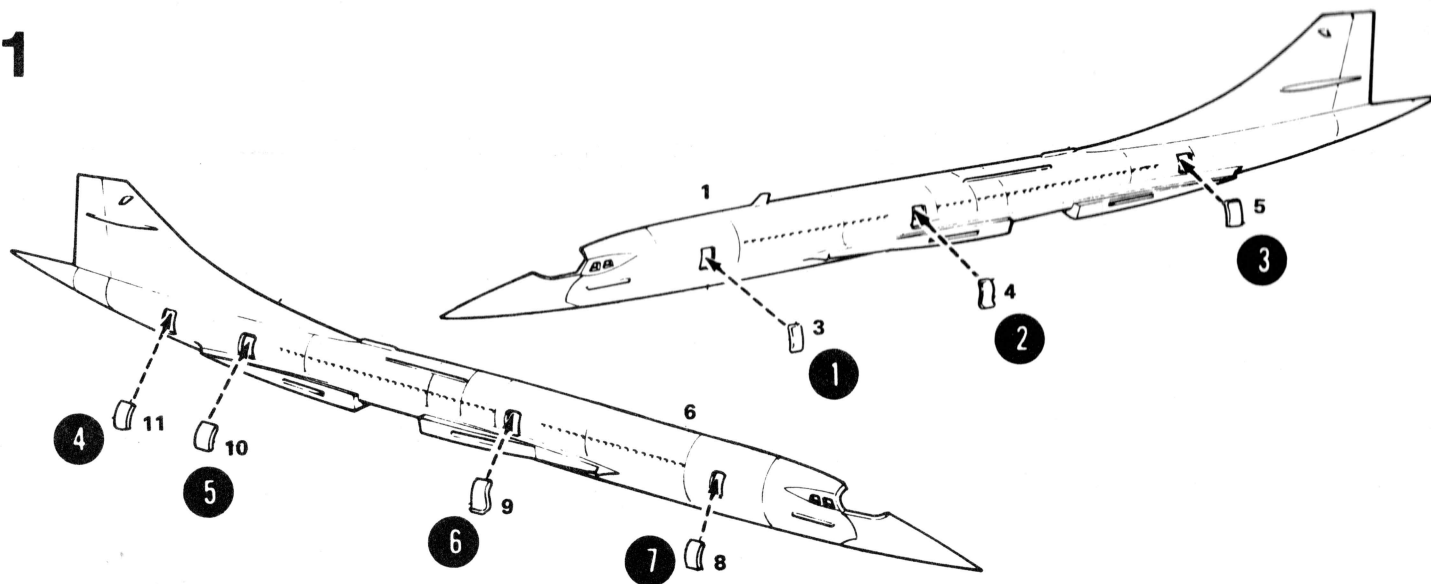
IMPORTANT! READ THIS FIRST

- Study assembly drawings carefully before starting.
- Each part is identified by a part number (14).
- Scrape paint from areas to be cemented.
- Before cement is used, check the fit of each part.
- Use only enough cement to join parts.
- Apply cement to small parts with a toothpick.
- Use cement made for styrene plastic only.
- Allow paint to dry thoroughly before handling.
- Your model may be painted to match the box photos.
- Cement all parts except where Do Not Cement symbol  is shown.
- Follow the step numbers ⑤ in each assembly drawing.
- ★ Refer to other assembly drawing for location.
- Refer to last page for decal and painting instructions.

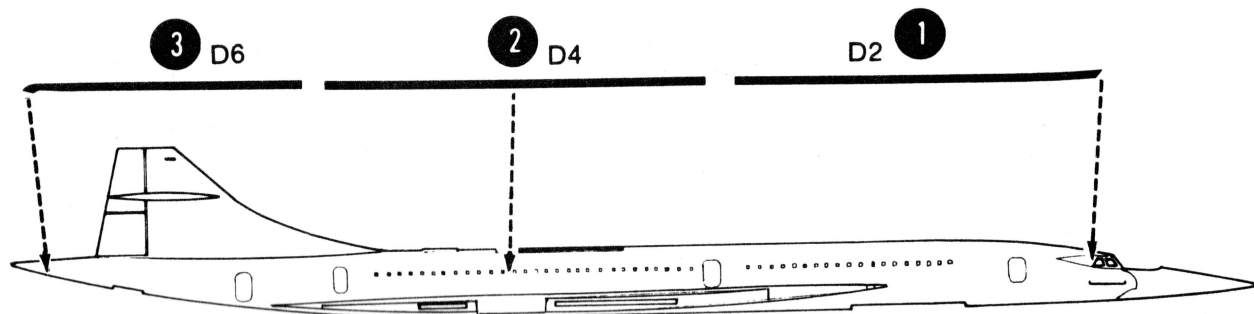
- ⑤ ————— STEP NUMBERS
- 32 ————— PLASTIC PART NUMBERS
-  ————— OPTIONAL
-  ————— DO NOT CEMENT
-  ————— CEMENT HERE ONLY
- 2X ————— REPEAT SEVERAL TIMES
-  ————— REMOVE
- ★ ————— REFER TO
-  ————— DECAL

© 1982 Fundimensions, Division of CPG Products Corp.

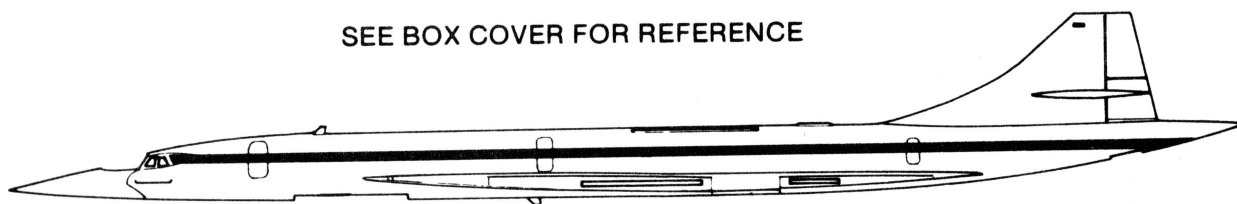
1



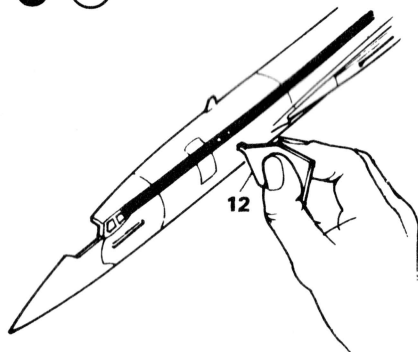
2 (2X) 



SEE BOX COVER FOR REFERENCE

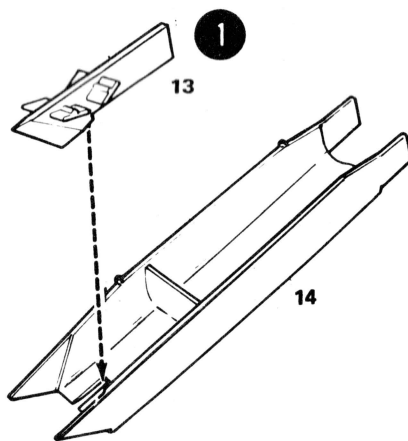


3 (2X)

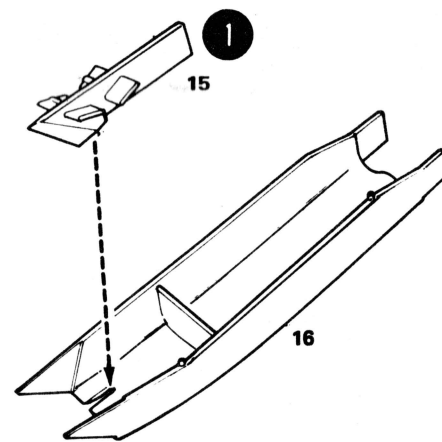


NOTE: After decal has dried, open window holes with tool provided.

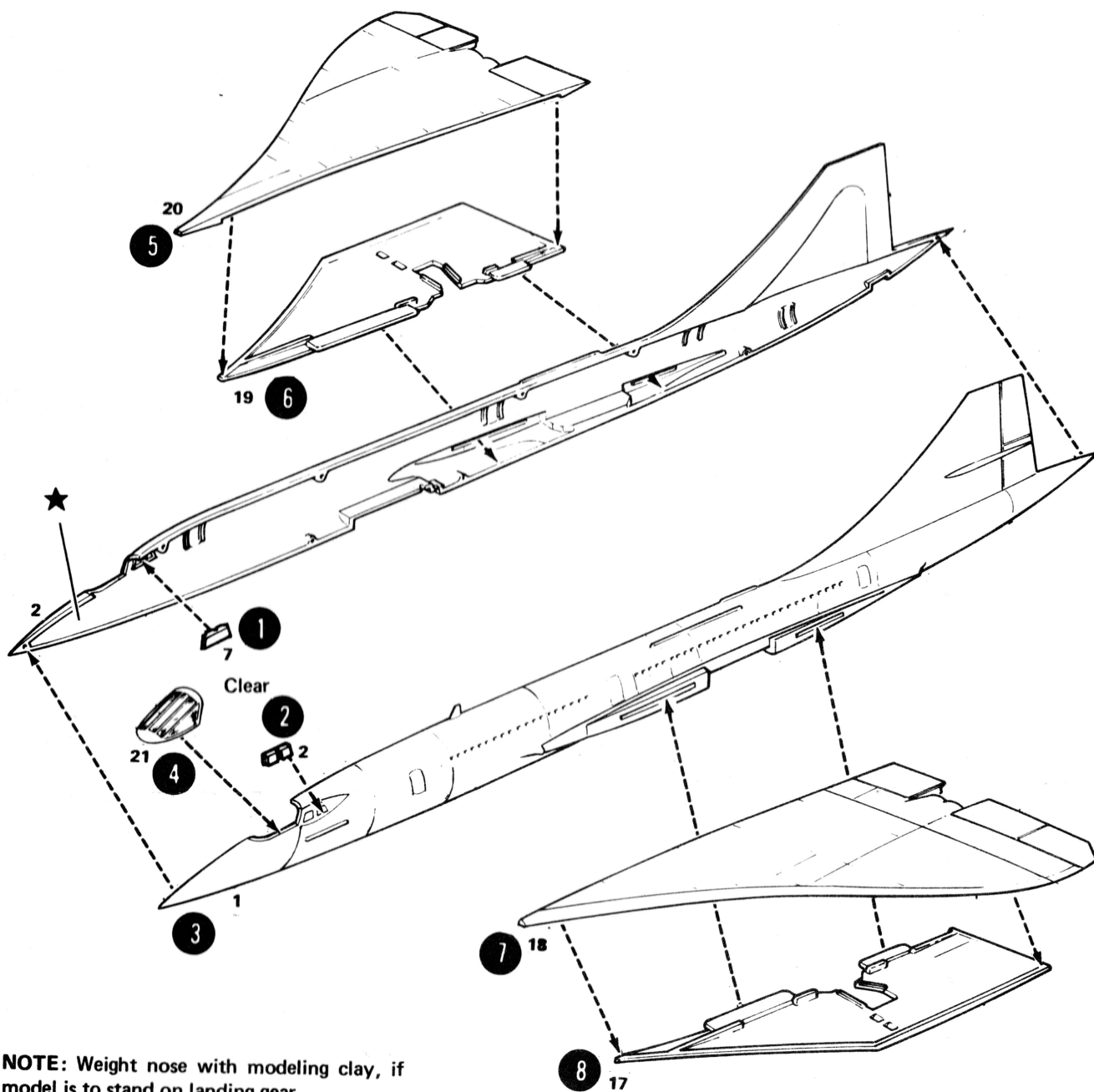
4



5



6

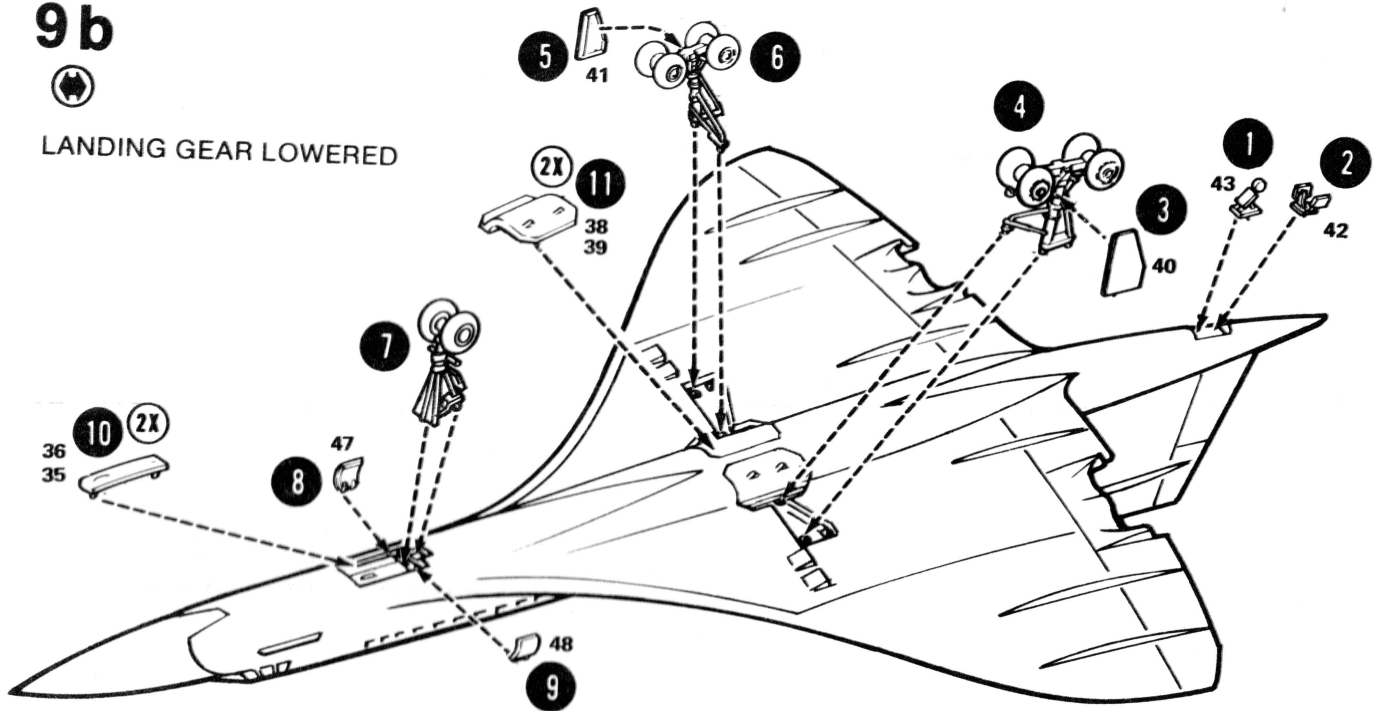


★ **NOTE:** Weight nose with modeling clay, if model is to stand on landing gear.

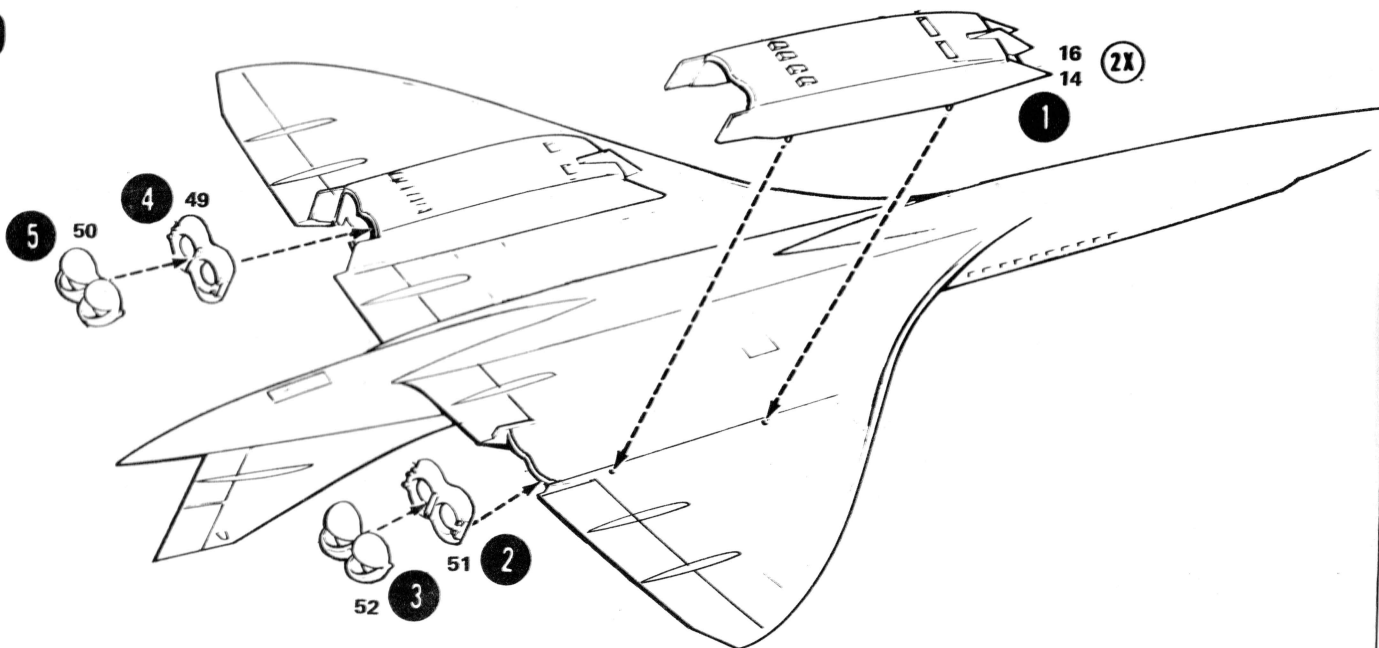
9b




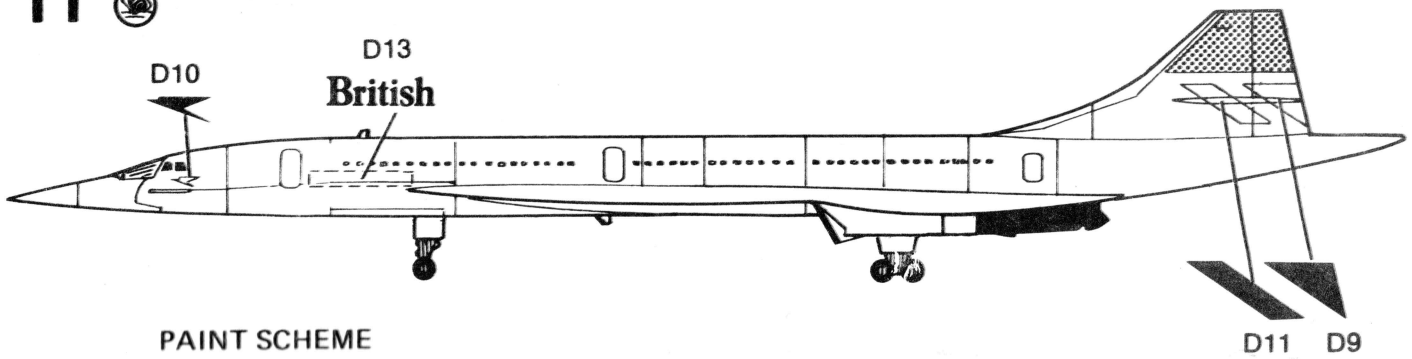
LANDING GEAR LOWERED




10



11 



PAINT SCHEME

A	BLACK
B	WHITE
C	RED 
D	GREY 