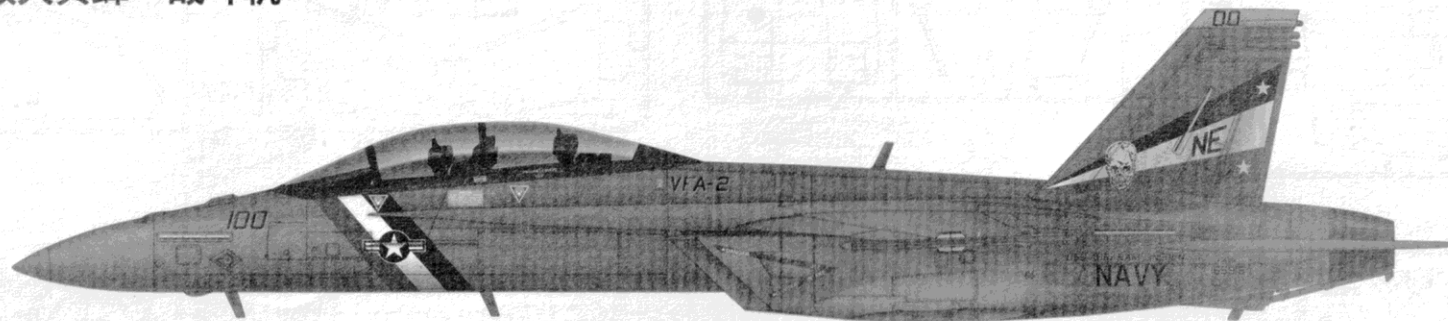


1:32 SCALE

ITEM NO.:03205

F/A-18F Super Hornet

F/A-18F “超级大黄蜂”战斗机



READ BEFORE ASSEMBLY:

- Study and understand these instructions thoroughly before beginning assembly
- When needed, remove photo-etch parts carefully using a modeling knife or photo etch sprue cutter, being careful not to damage or lose small parts.
- Take extra care in handling photo etch parts in order to avoid injury
- Apply instant cement sparingly to photo etch parts where instructed

- Tools recommended(not included in kit):Plastic and instant cements,sprue cutters,long nose pliers,modeling knife, small files, tweezers, pin vise & scissors. Soft cloth and sandpaper will also assist in construction
- Glue and paint are not included in the kit. Use plastic cement and hobby paints only. Color guide for purchasing paint is included in the kit.

装配之前仔细阅读

- 小心用模型锉刀锉平所有零件表面的注射浇口。
- 小心用刀片切下蚀刻片零件，不要遗失小零件。
- 用强力快干胶水粘合蚀刻片零件和金属轴。过量快干胶水使用可能导致可动零件会粘住，小心涂胶。
- 取蚀刻片时应特别注意安全，防止利边划伤手指。
- 某些零件表面需贴水上贴纸，请选择在装配的同时进行。
- 推荐模型工具(自备)：胶水，水口剪刀，长咀钳，刀片，锉刀，镊子，钳，钻，剪刀，瞬间快干胶。
- 软布同砂纸同时也应该是必备工具。
- 请使用塑料胶水和油漆，模型内不含。

水贴纸的使用:

1. 从水贴上剪下印花;
2. 将印花放入温水中浸10秒，然后放在干净布上。
3. 拿着印花纸板将印花移到模型上;
4. 手指蘸水将印花移到适当的位置;
5. 用软布轻压印花直至水干，气泡消失。

DECAL APPLICATION:

1. Cut decals from sheet as needed
2. Dip the decal in warm water for about 10 seconds and then place on soft clean cloth.
3. Hold the decal backing sheet edge and gently slide the decal onto the model in its proper position.

4. While still wet, decal can be adjusted for better fit on model by dampening it gently with your finger.
5. When placed in the proper position, gently press decal down with a soft cloth until excess water and air bubbles are gone.
6. Allow decal to dry completely before handling model



cyanoacrylate glue
使用强力胶



weight
配重



make hole
钻孔



cut / remove
切除



option
选择



no cement
不涂胶水



decal
贴纸



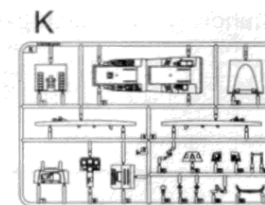
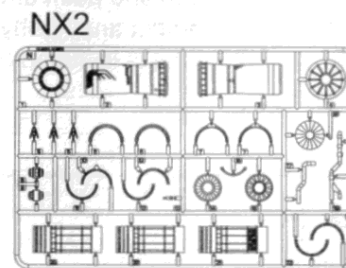
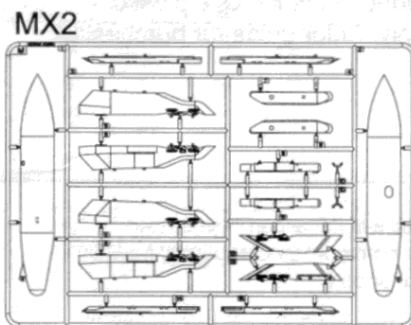
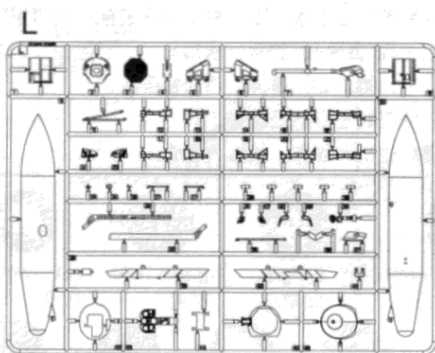
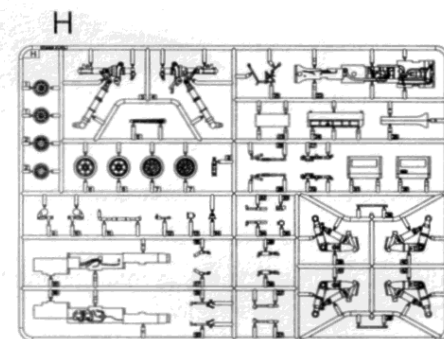
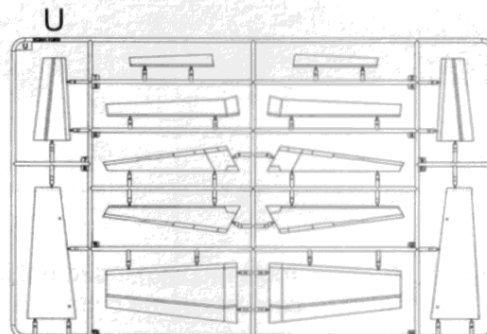
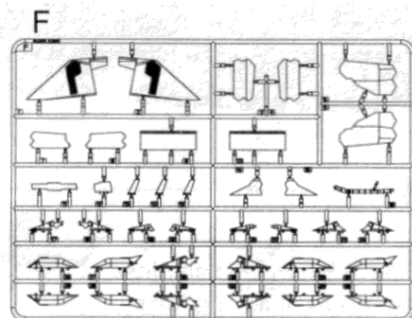
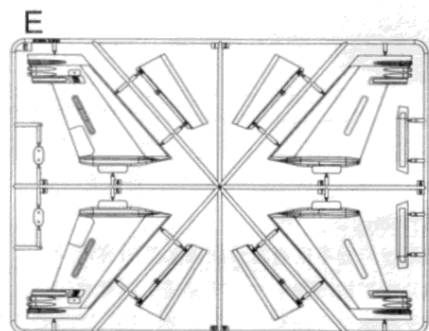
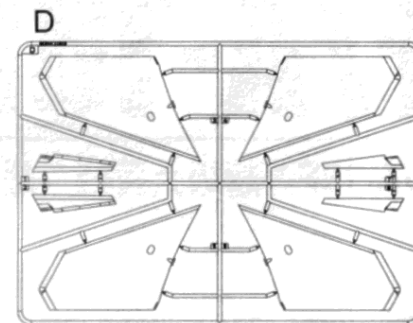
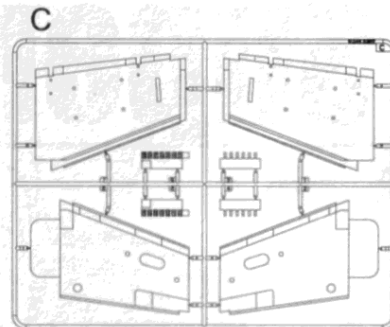
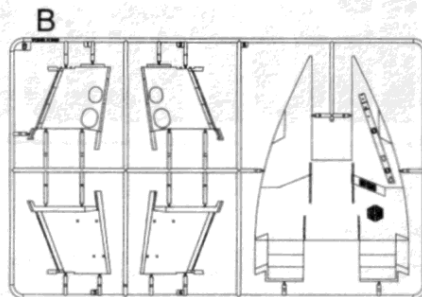
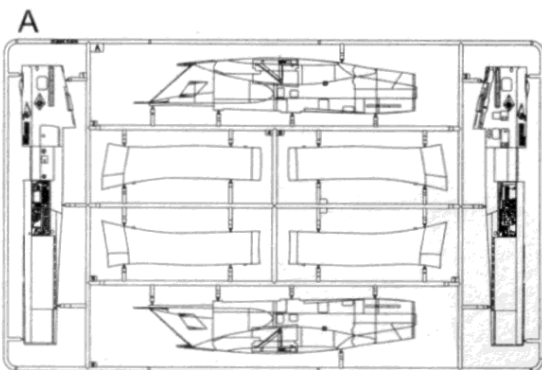
bend
弯曲



file / sand
锉平

部品图

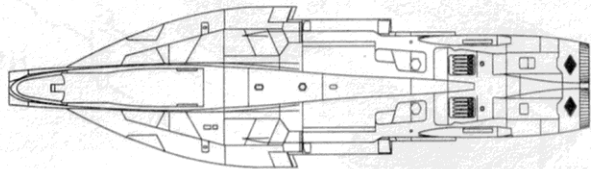
Parts



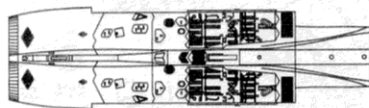
部品图

Parts

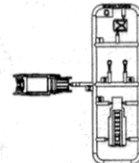
《上部机身》
Top Fuselage



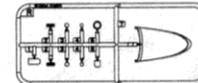
《下部机身》
Lower Fuselage



QX2



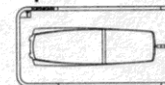
R



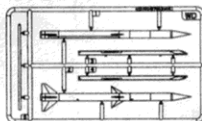
WZ2x2



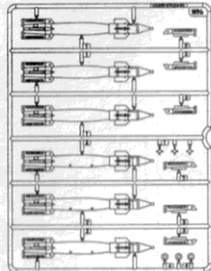
T



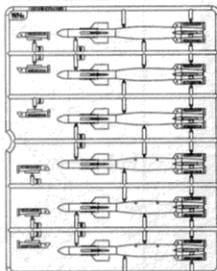
WDx4



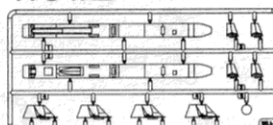
WN1x2



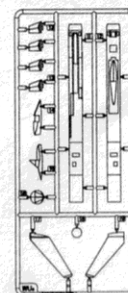
WN2x2



WU1x2

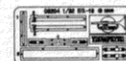


WU3x2

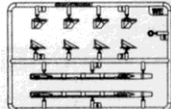


《蚀刻片》X2

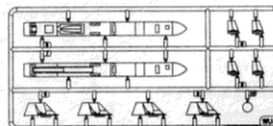
Photo etched part(PE)



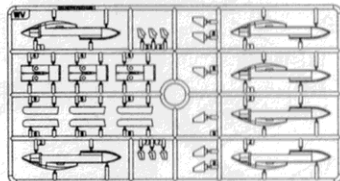
WEx2



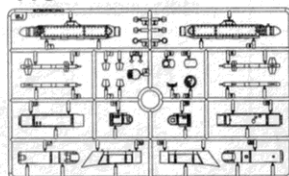
WU2x2



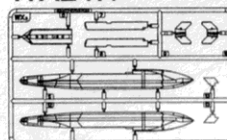
WVx2



WJ

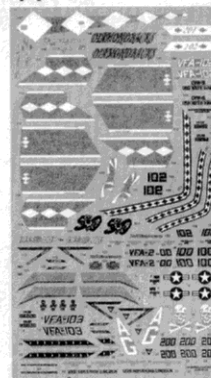


WX2 x4



《水贴》
Decal

A



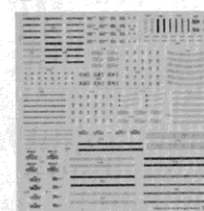
B



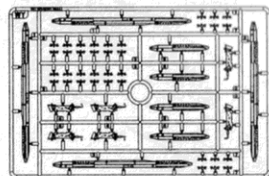
C



D



WY



《前轮胎》X2
Nose tyre



《主轮胎》X2
Main tyre



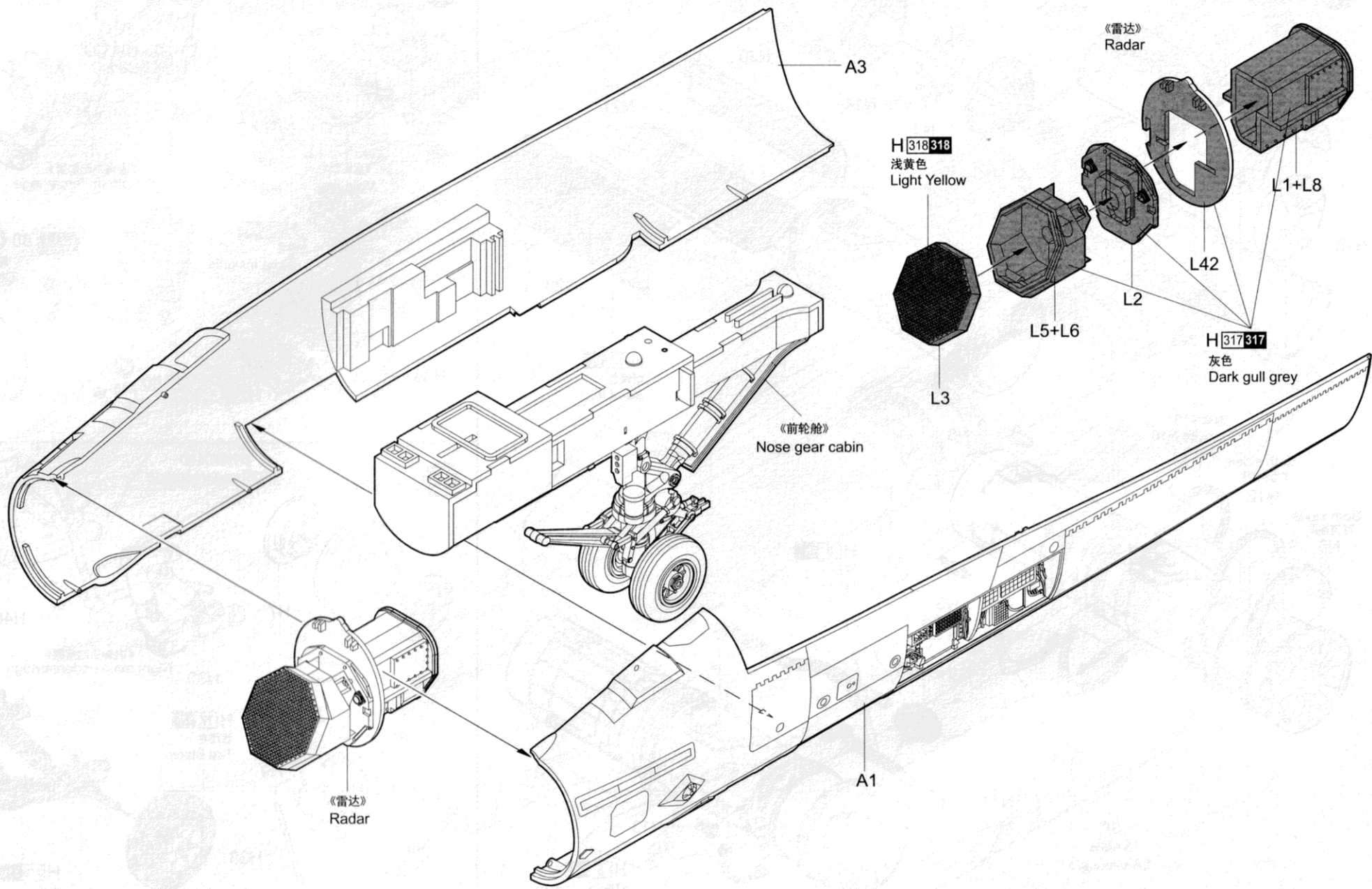
《起落架部件》
Undercarriage parts



不用的部件:
Unused parts

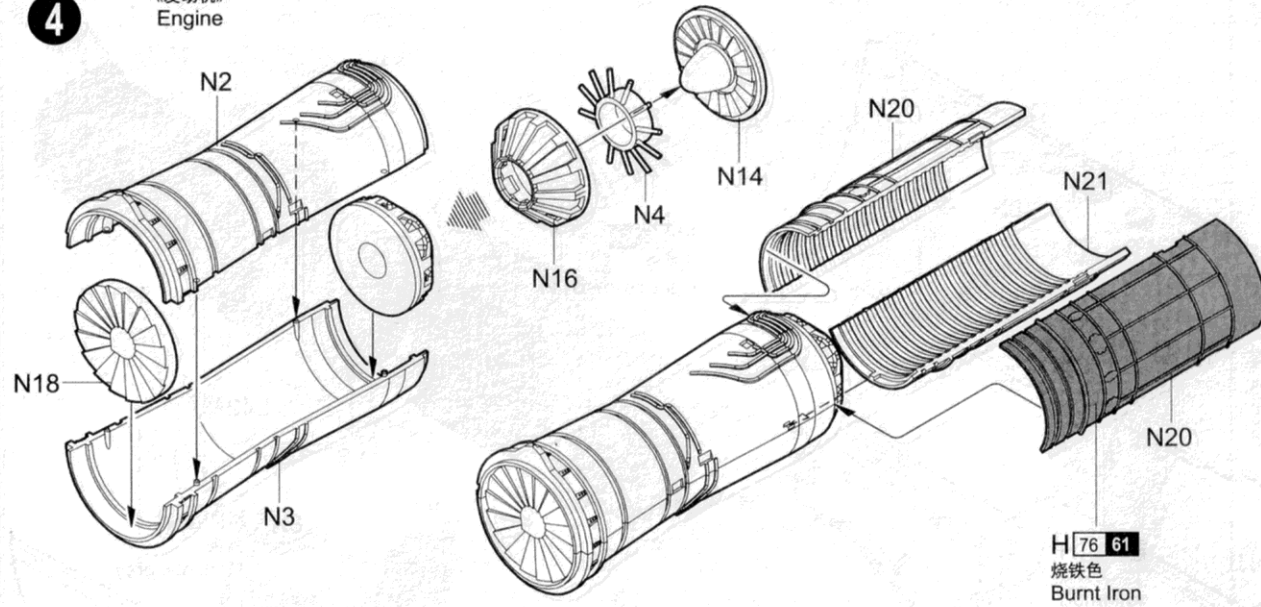
M7 M8 M9 M11 M14 M15 WJ1 WJ4
WJ12 WJ17 WJ18 WJ19 WJ20 WZ7

3

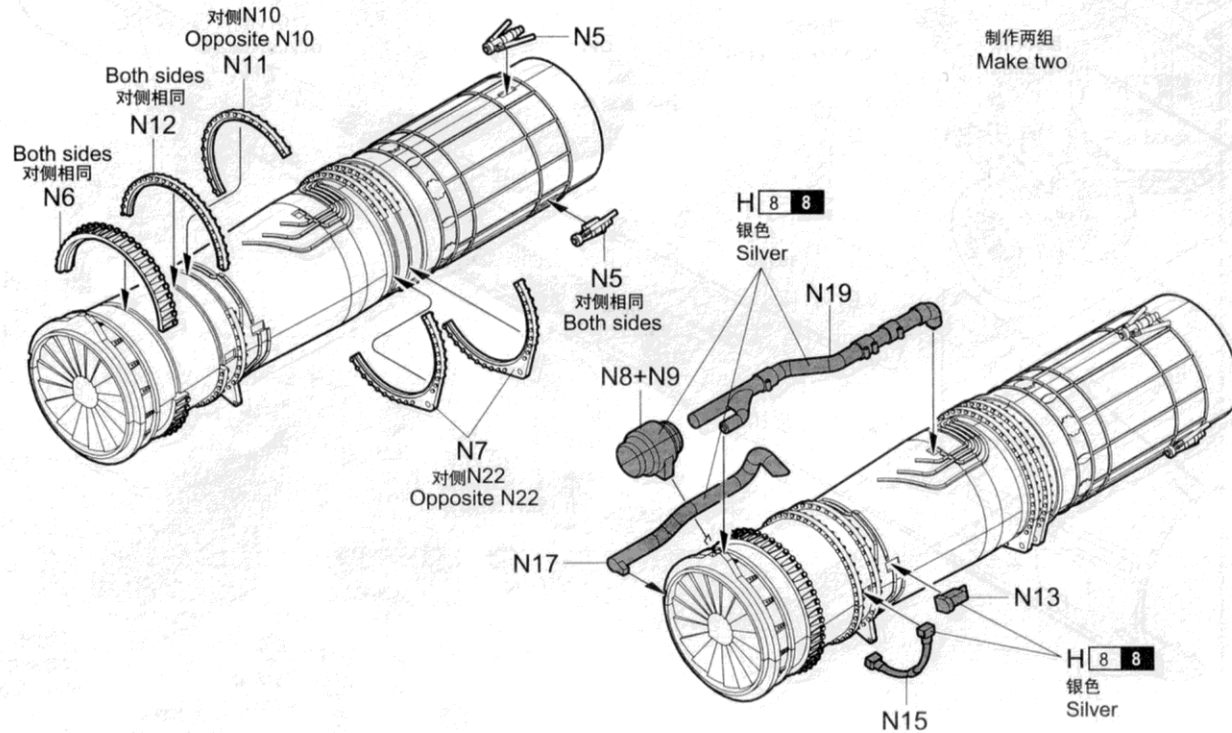


4

《发动机》
Engine

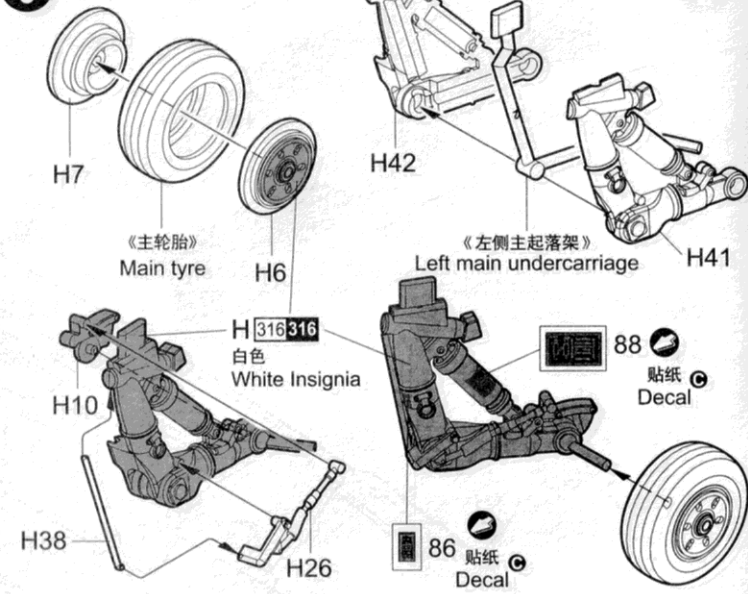


制作两组
Make two



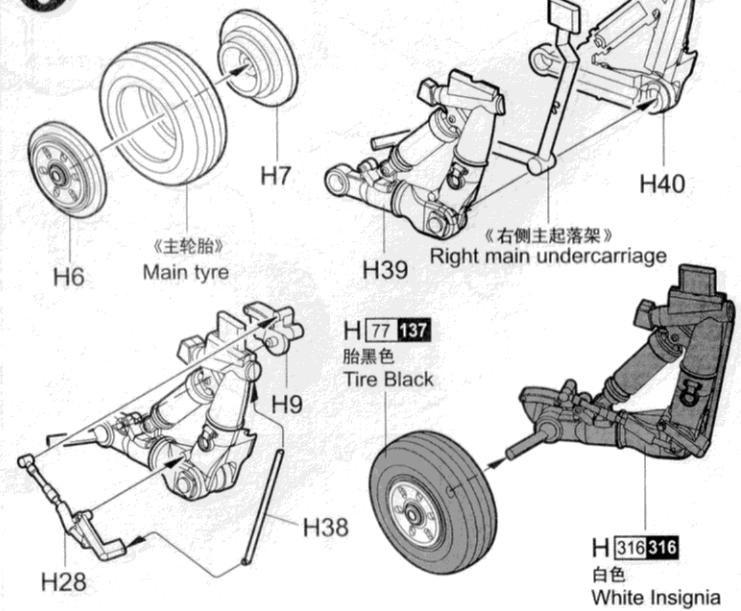
5

《左侧起落架》
Left undercarriage

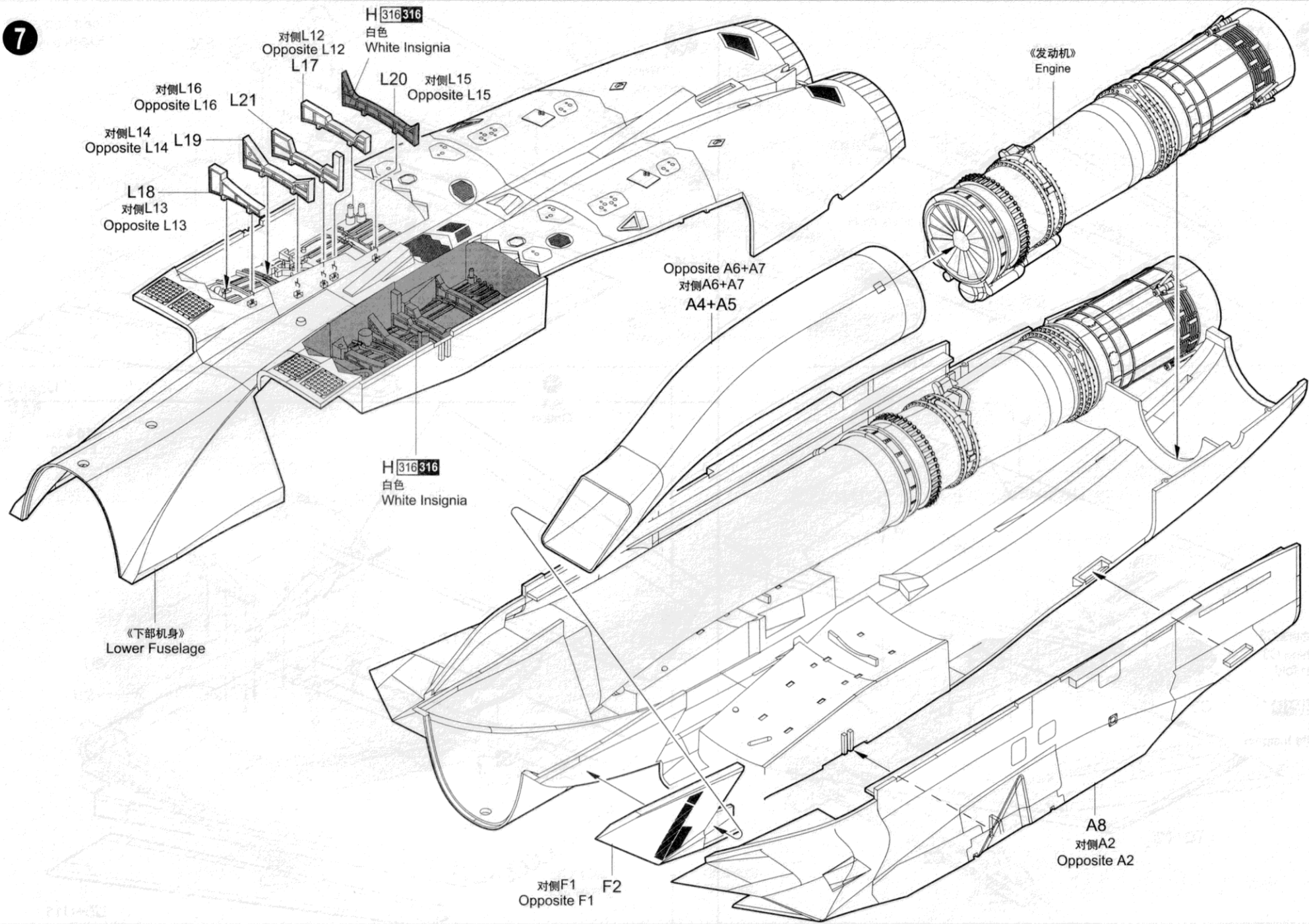


6

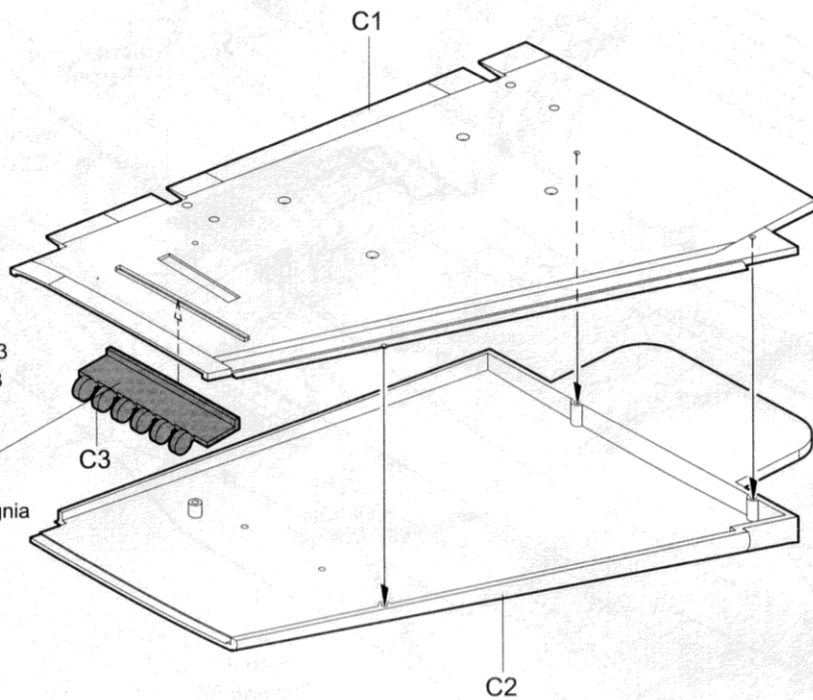
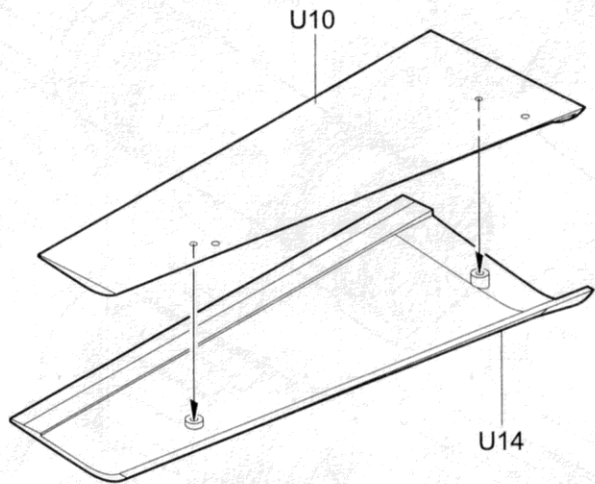
《右侧起落架》
Right undercarriage



7



8 《左侧机翼》
Left wing

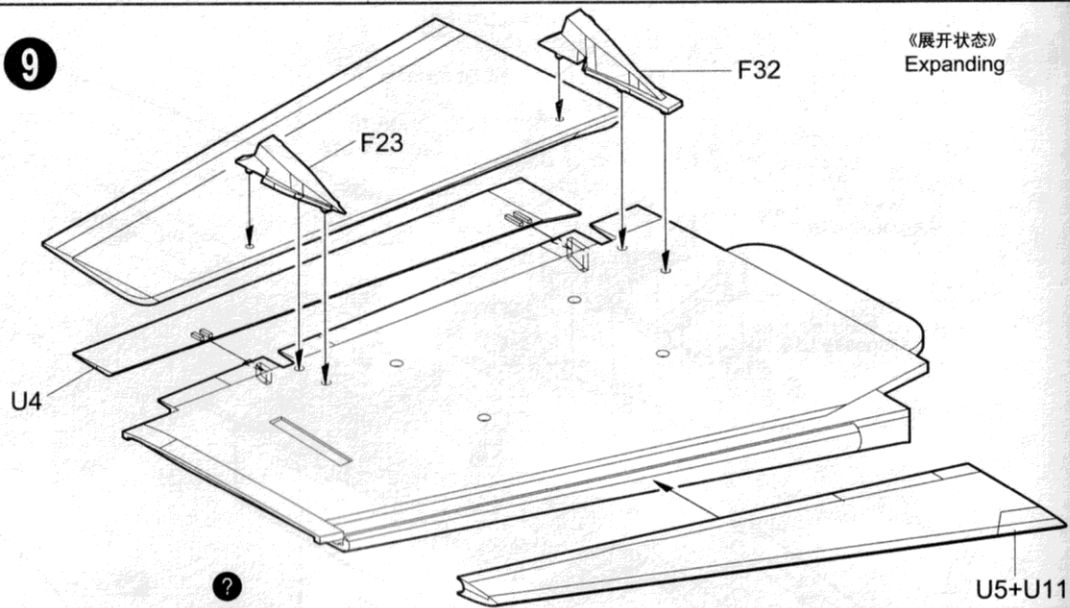


折叠状态时装C3
Attaching C3
when fold

H 316 316

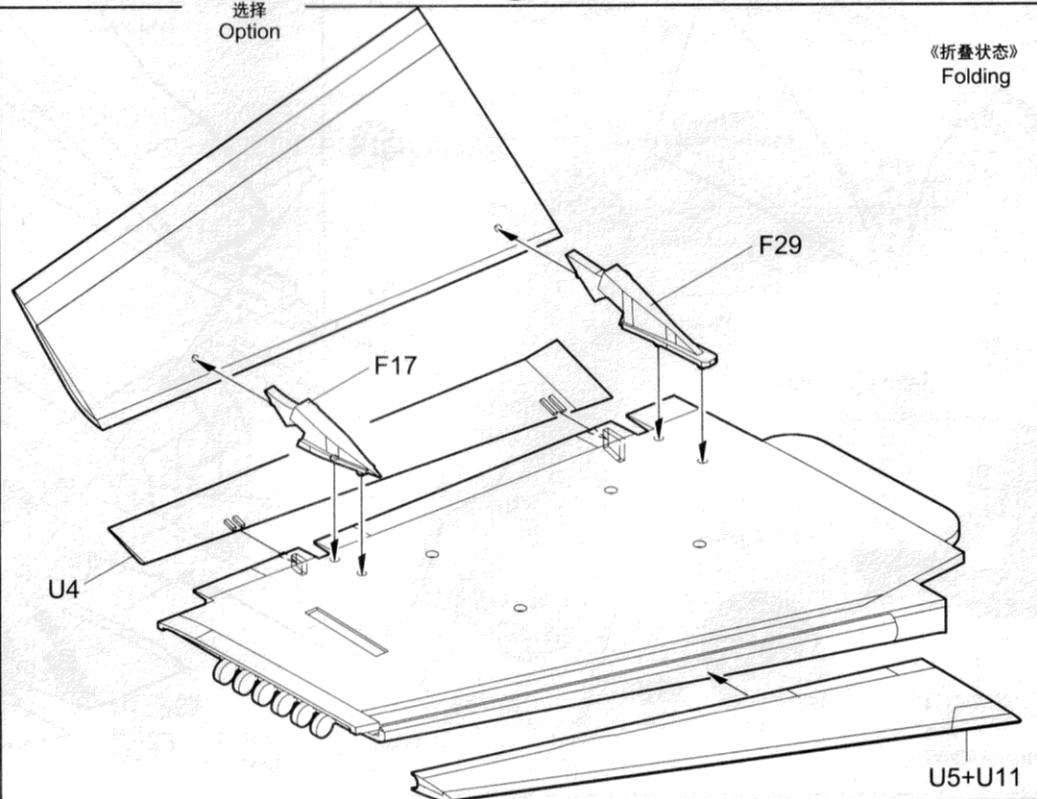
白色
White Insignia

9 《展开状态》
Expanding



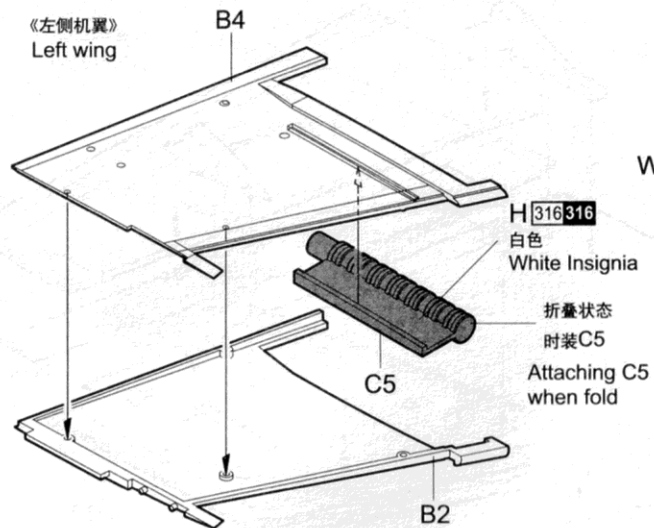
?
选择
Option

《折叠状态》
Folding

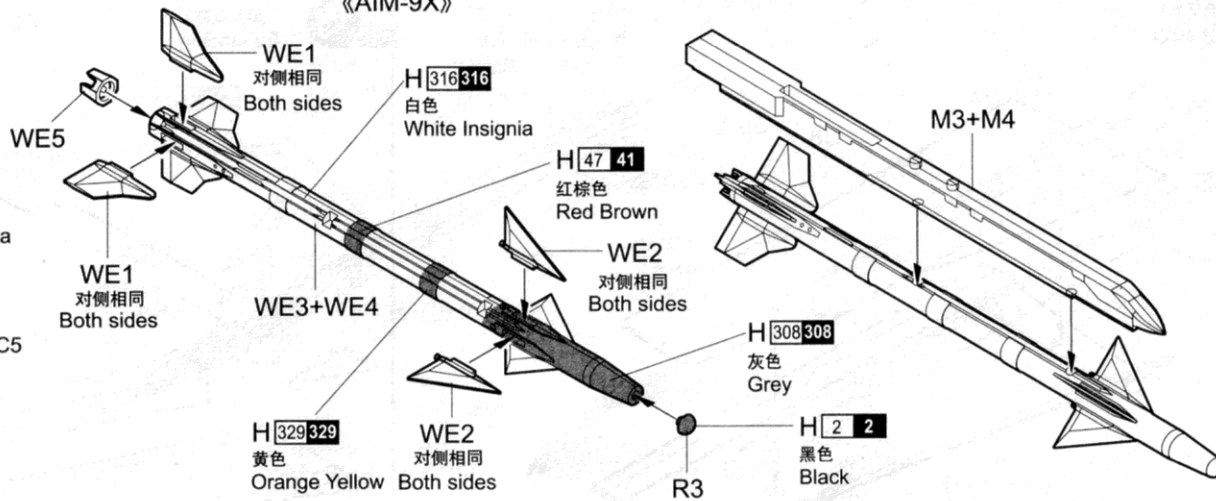


10

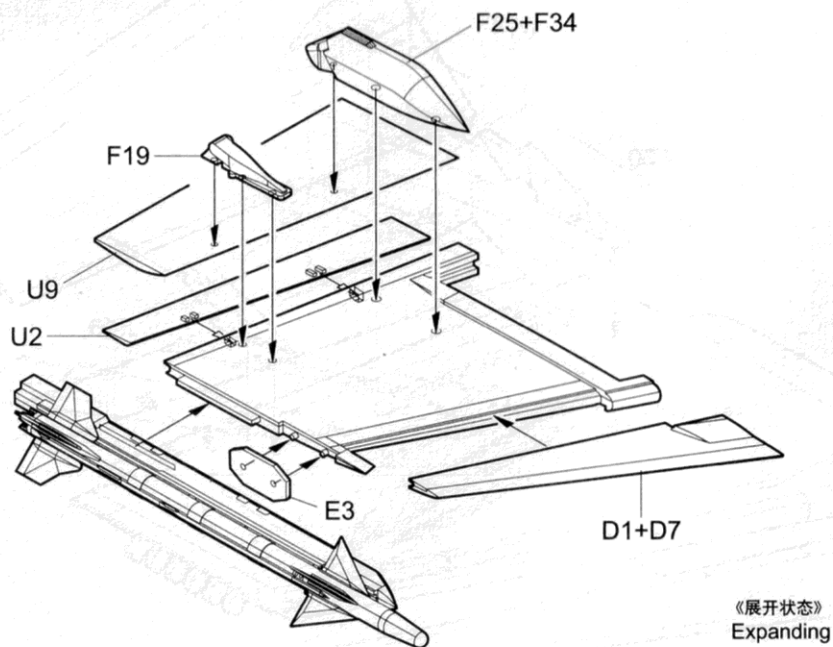
《左侧机翼》
Left wing



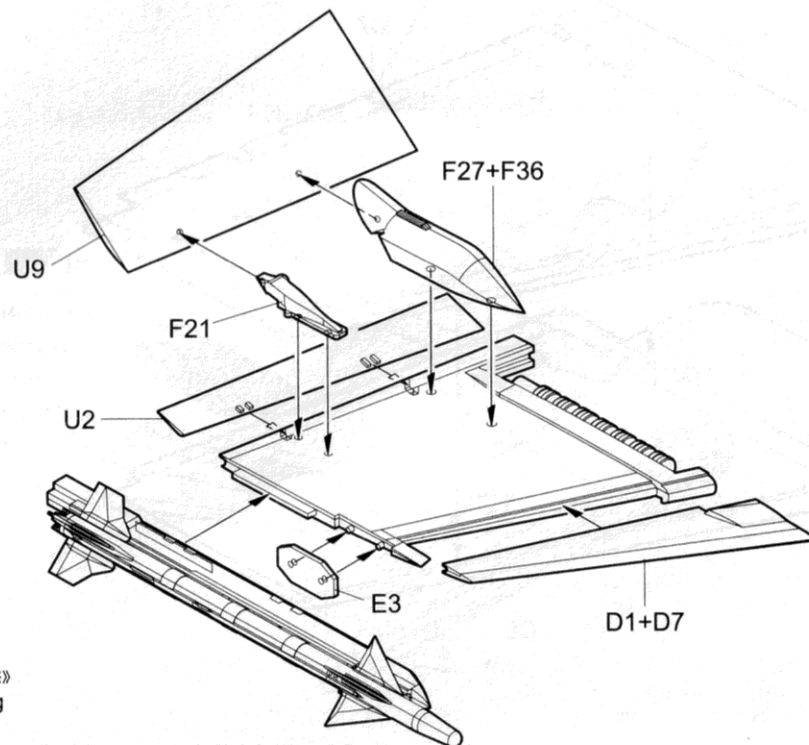
《AIM-9X》



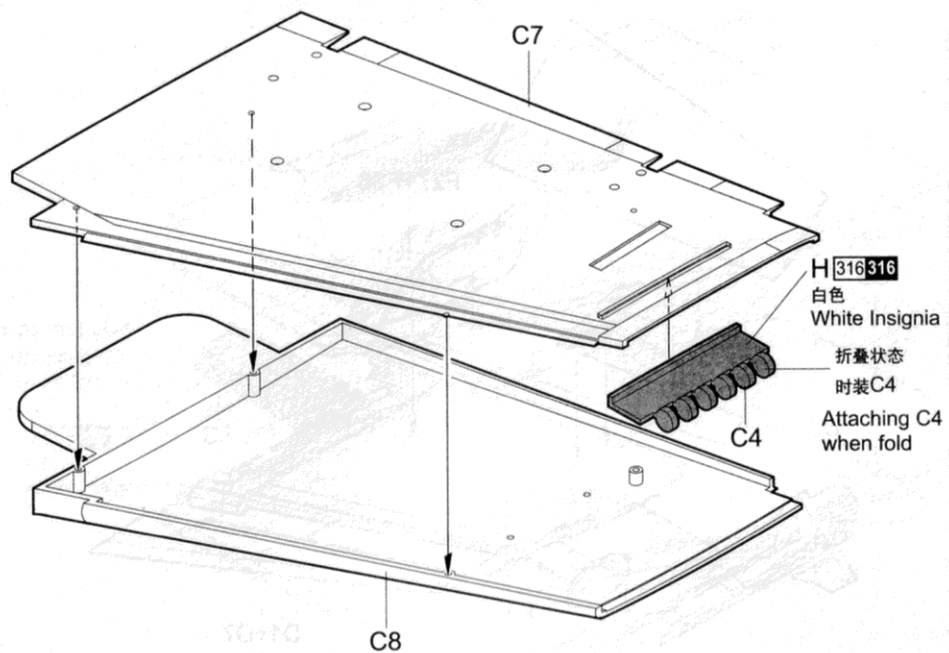
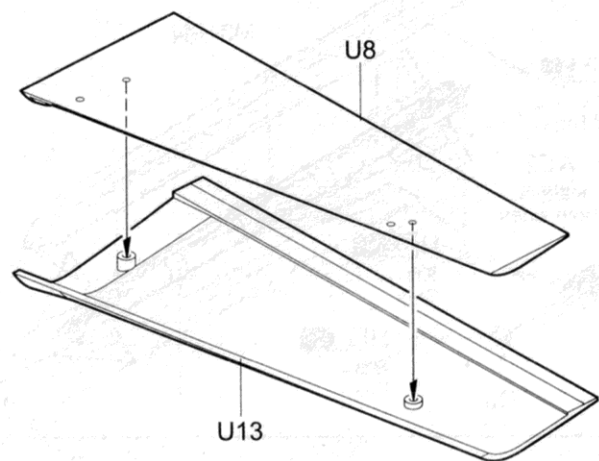
11



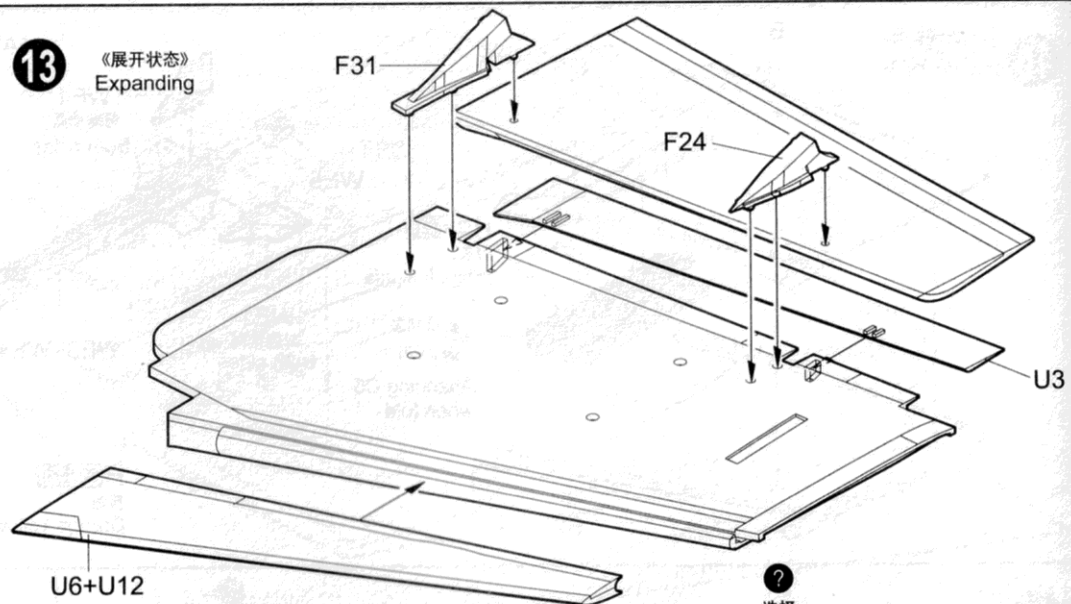
选择
Option



12 《右侧机翼》
Right wing

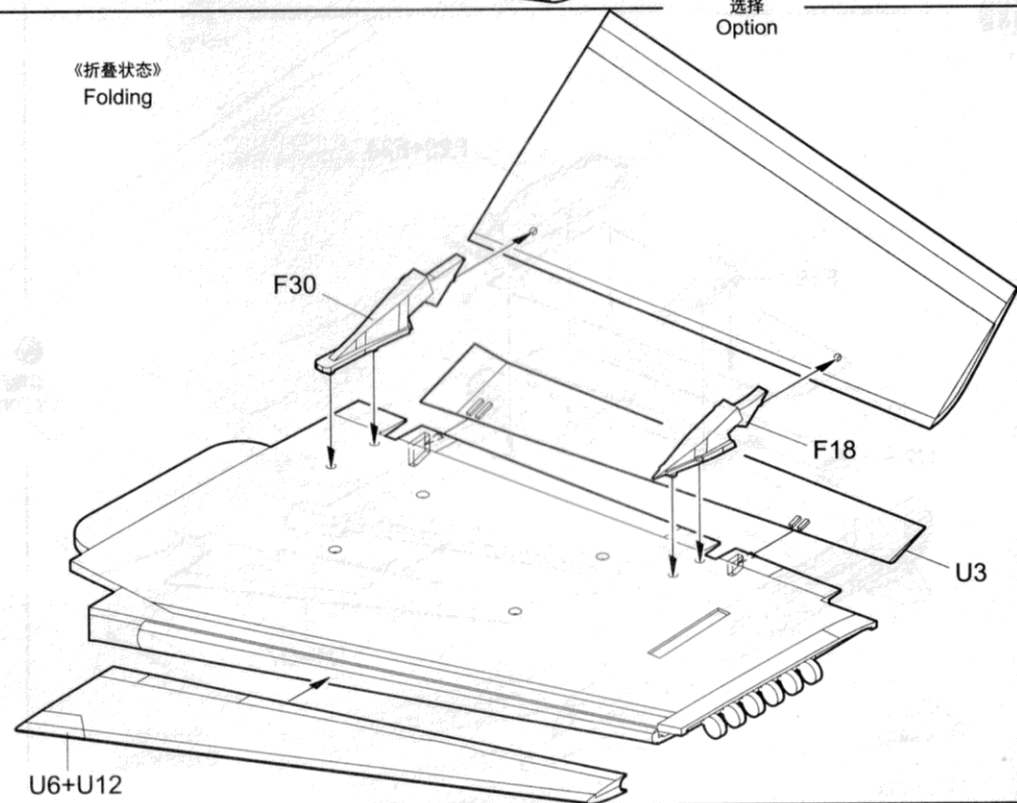


13 《展开状态》
Expanding



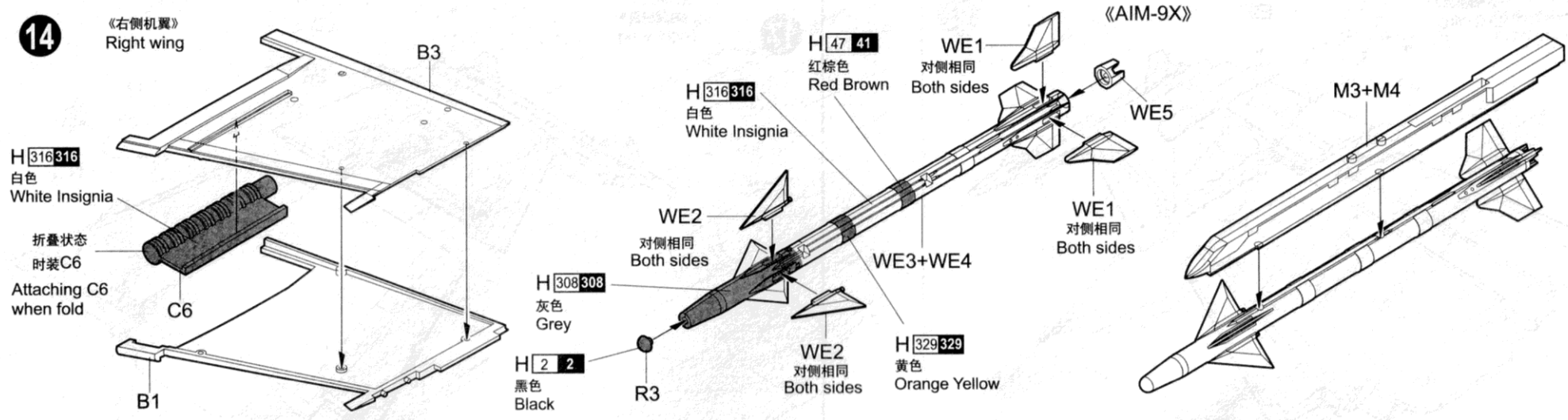
选择
Option

《折叠状态》
Folding

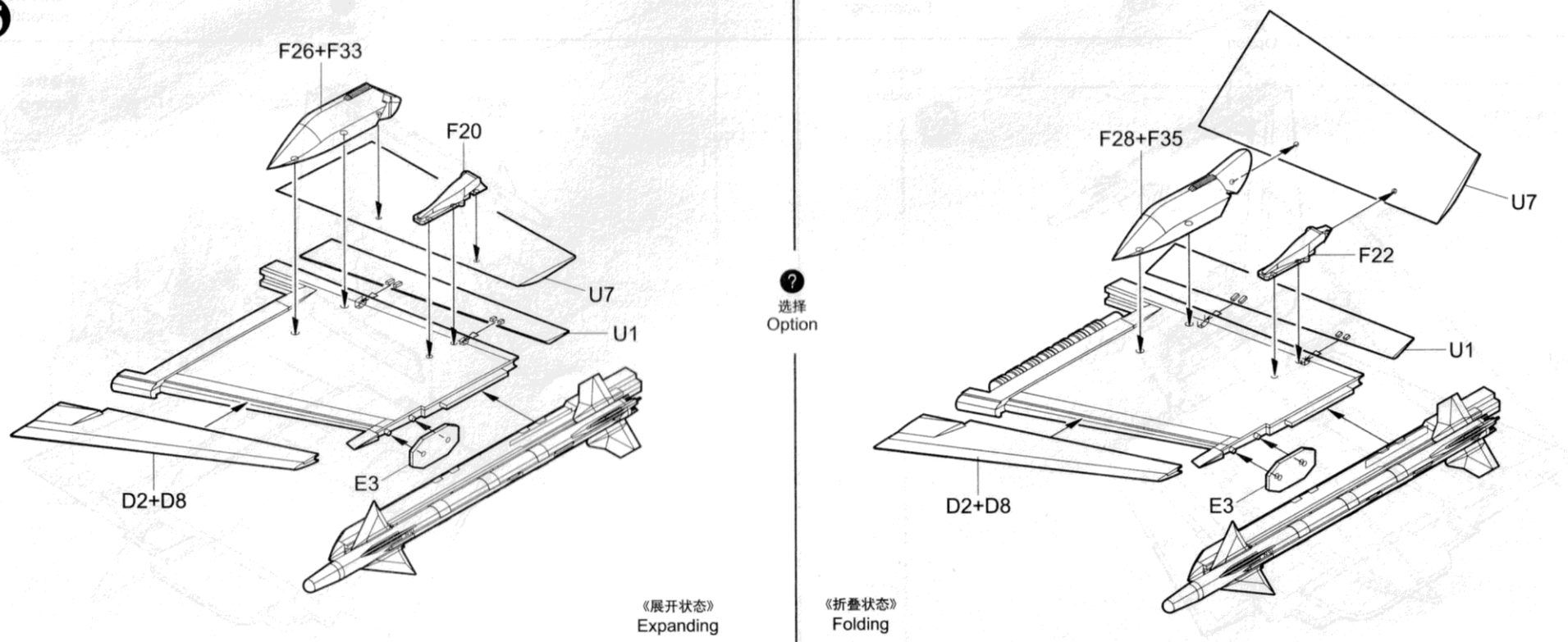


14

《右侧机翼》
Right wing

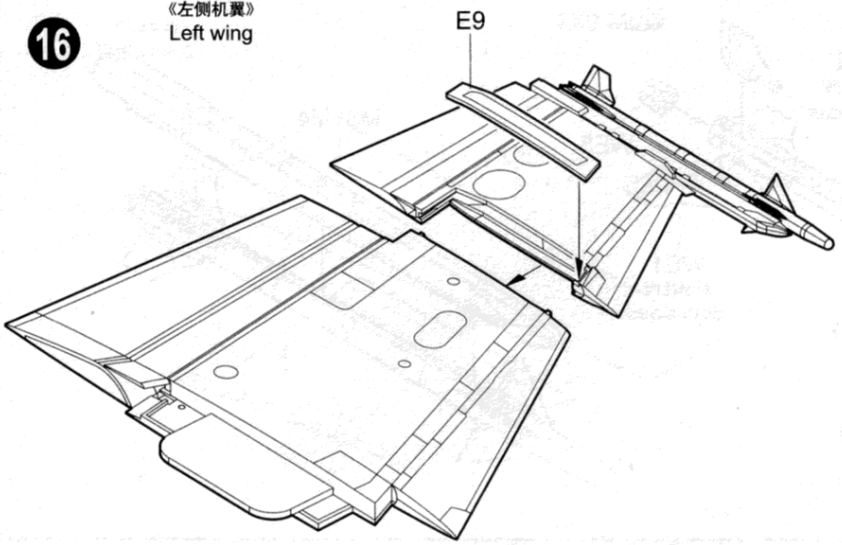


15



16

《左侧机翼》
Left wing



E9

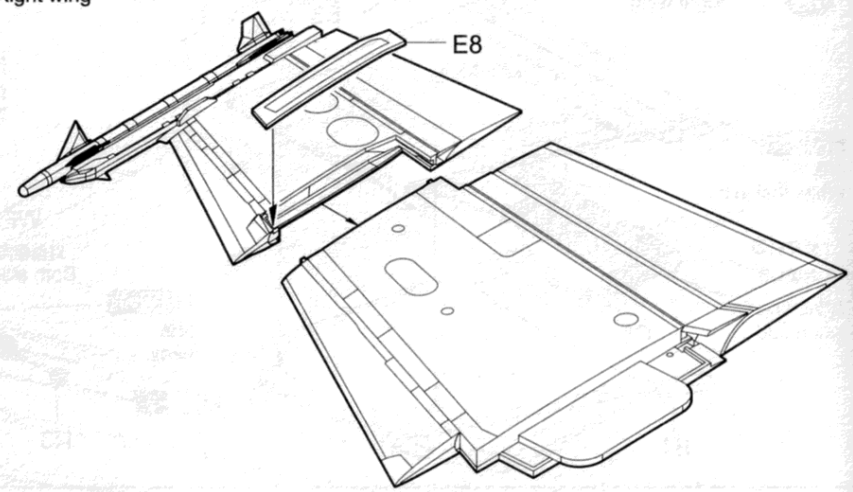
?

选择
Option

《展开状态》
Expanding

17

《右侧机翼》
Right wing

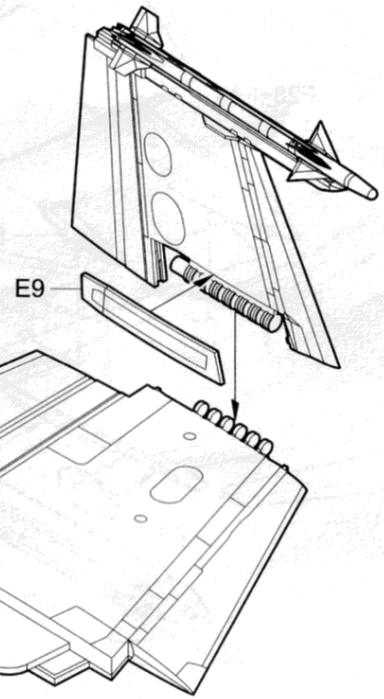


E8

?

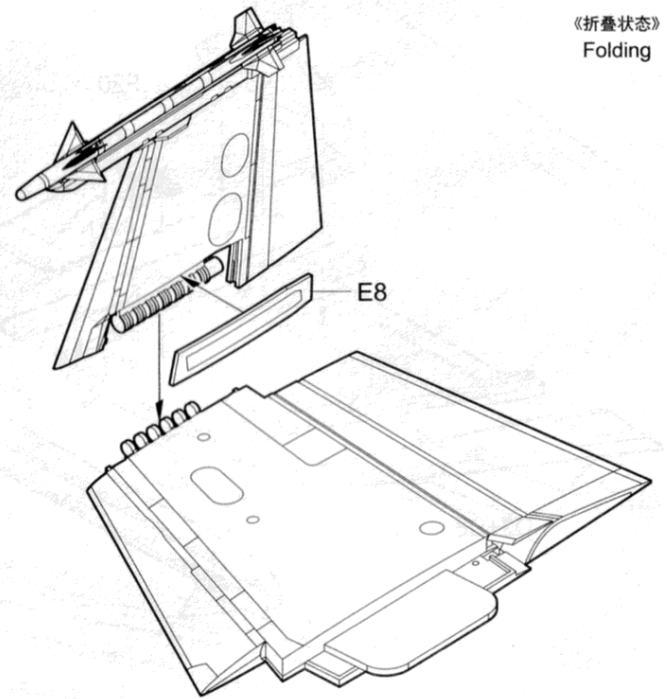
选择
Option

《展开状态》
Expanding



E9

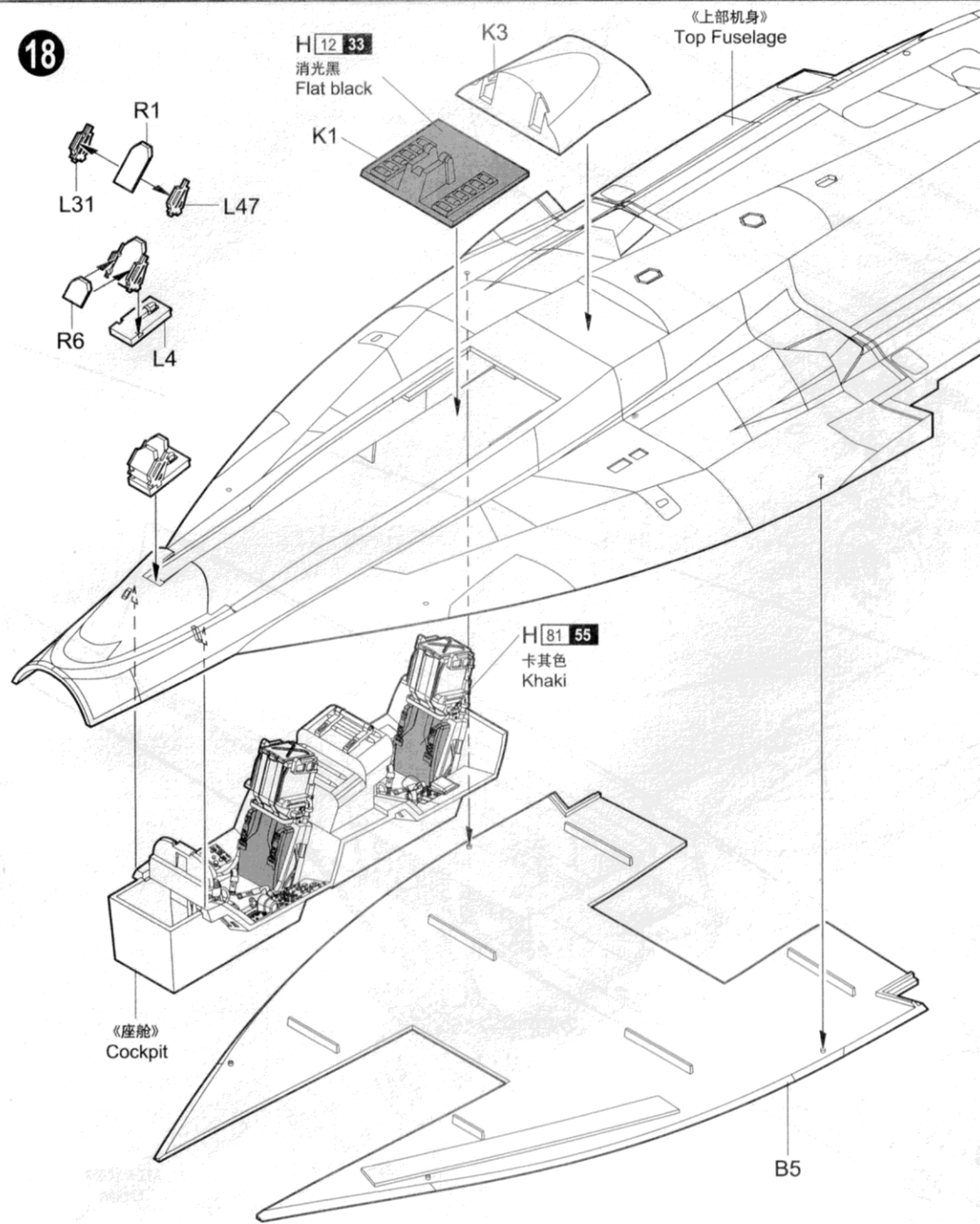
《折叠状态》
Folding



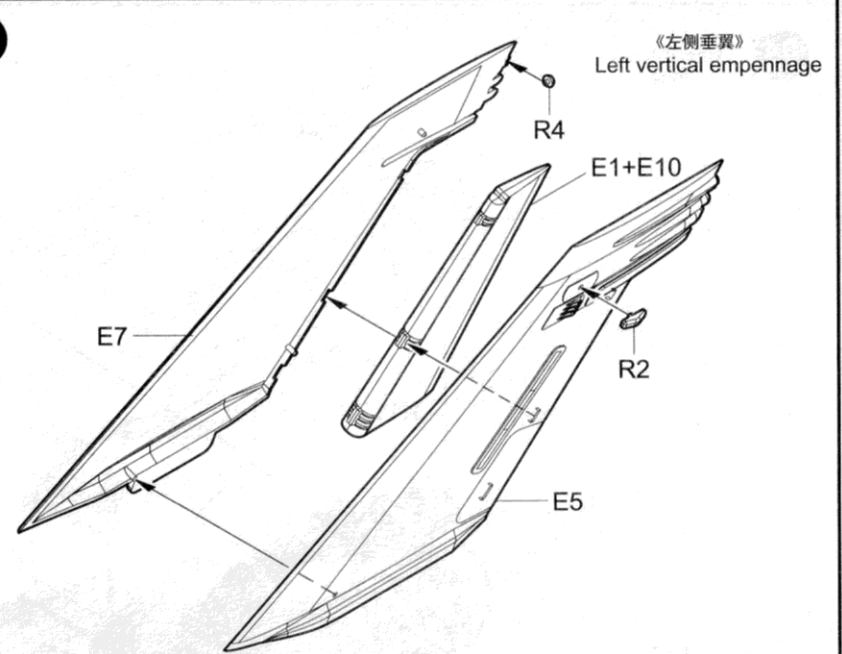
E8

《折叠状态》
Folding

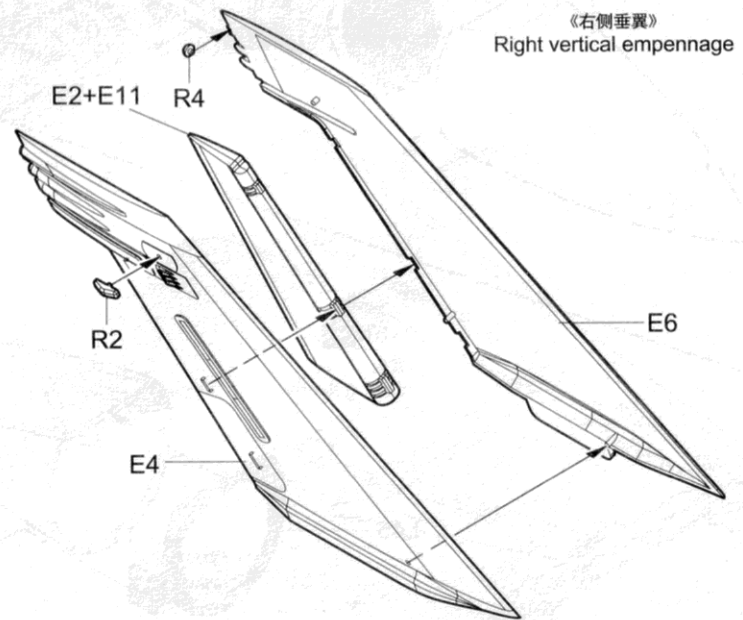
18



19

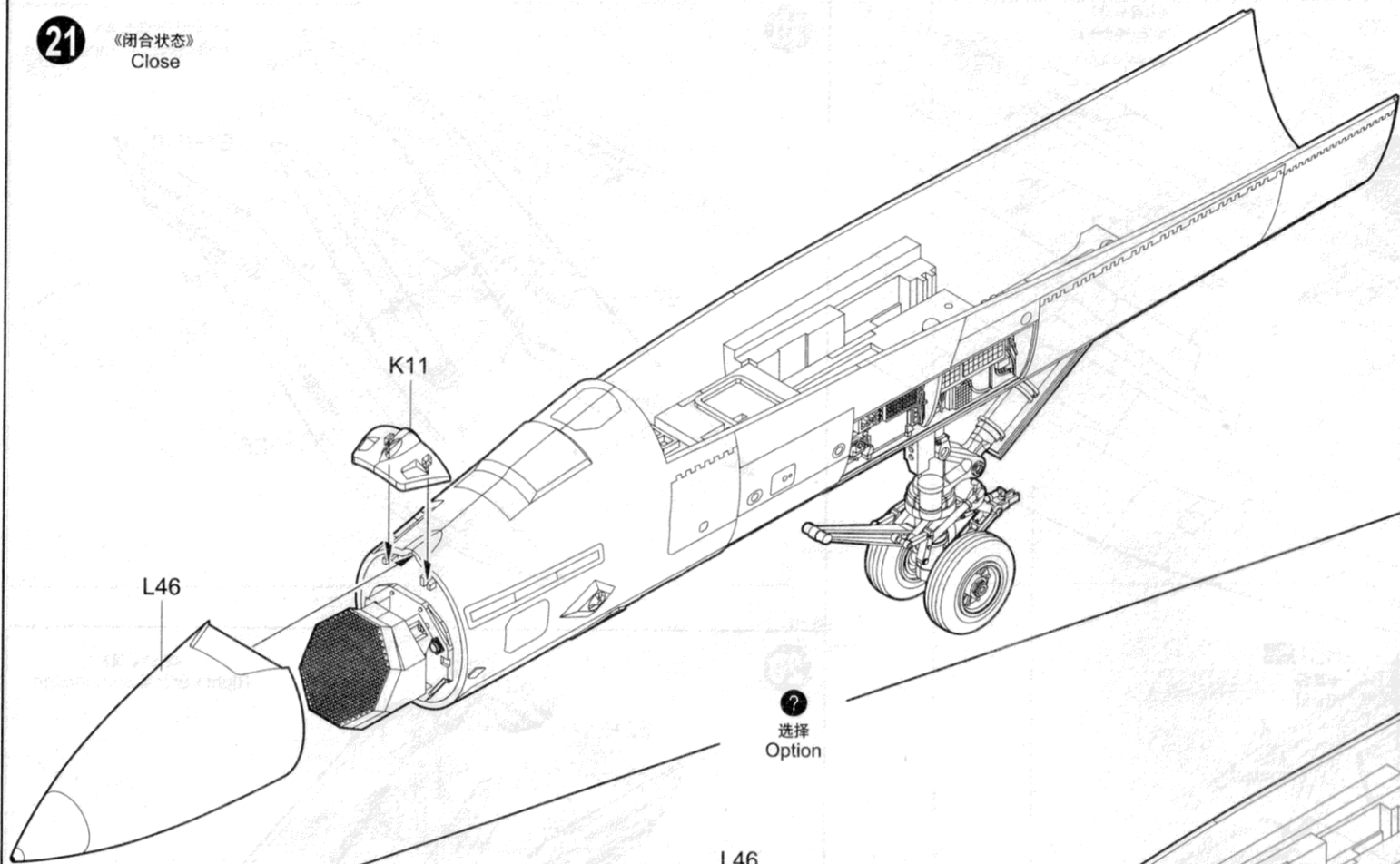


20



21

《闭合状态》
Close



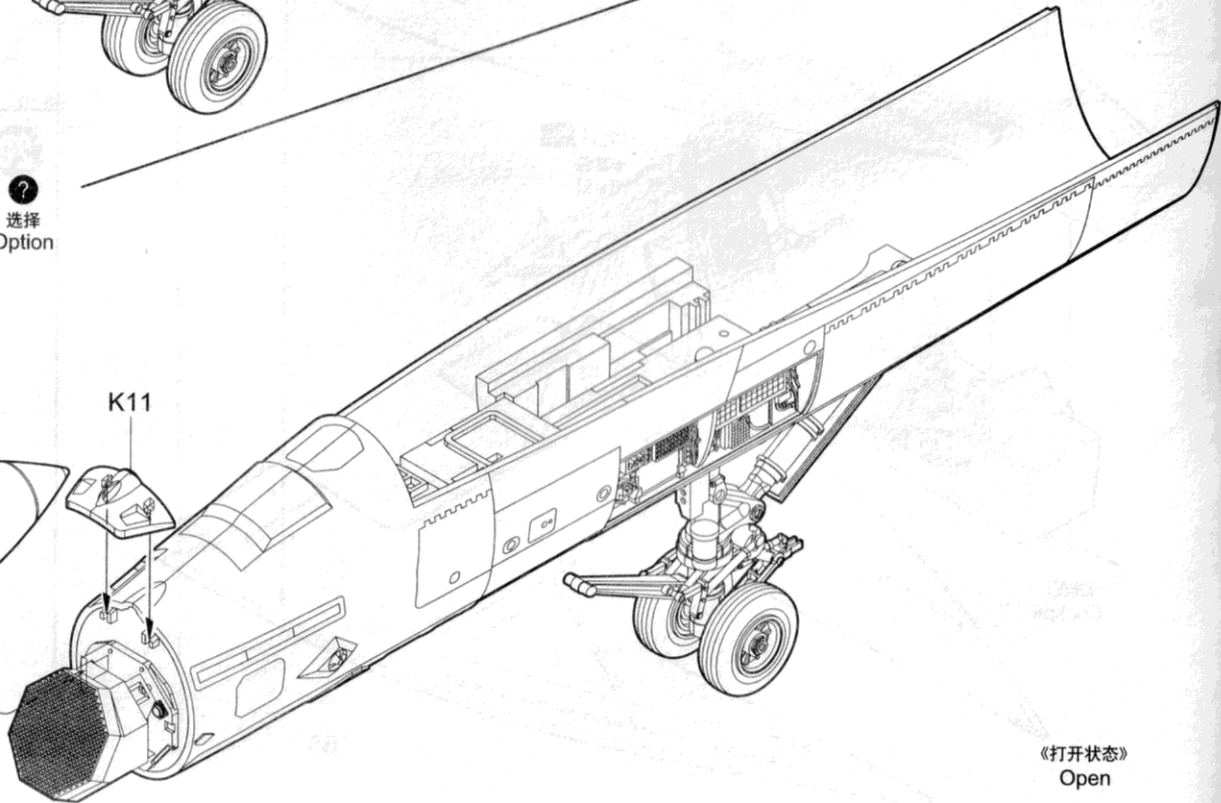
选择
Option

H317317
灰色
Dark gull grey

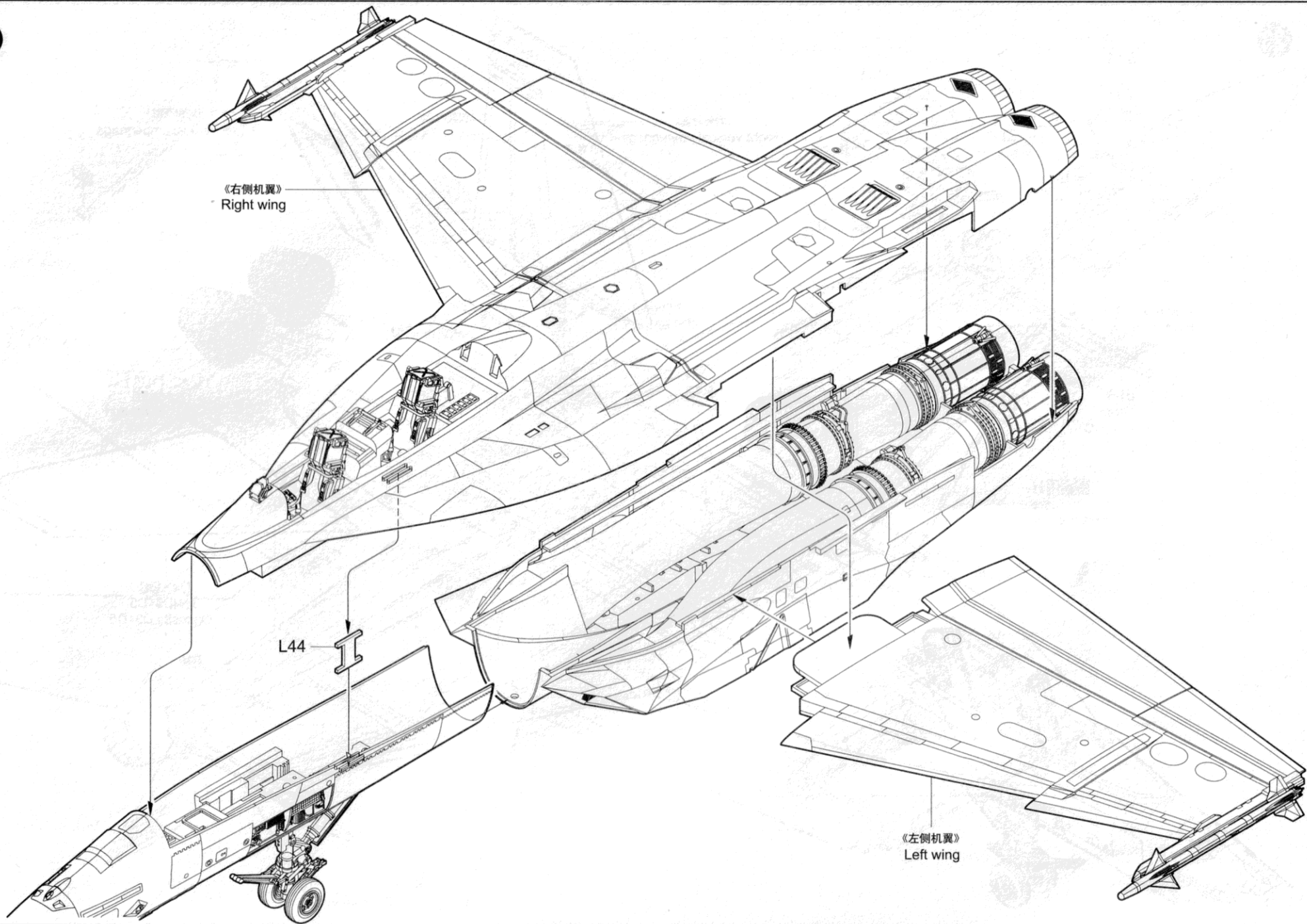
L45

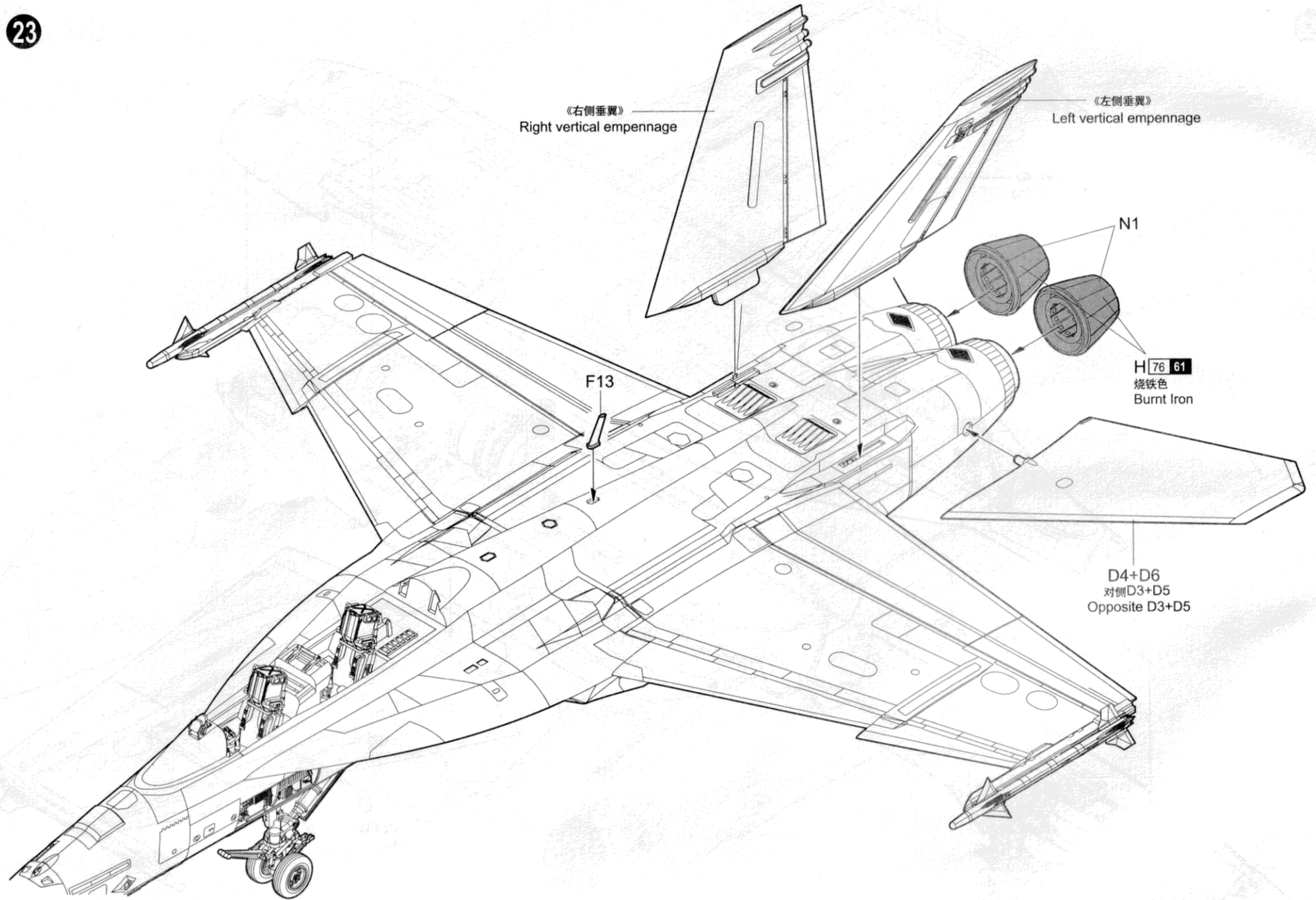
L46

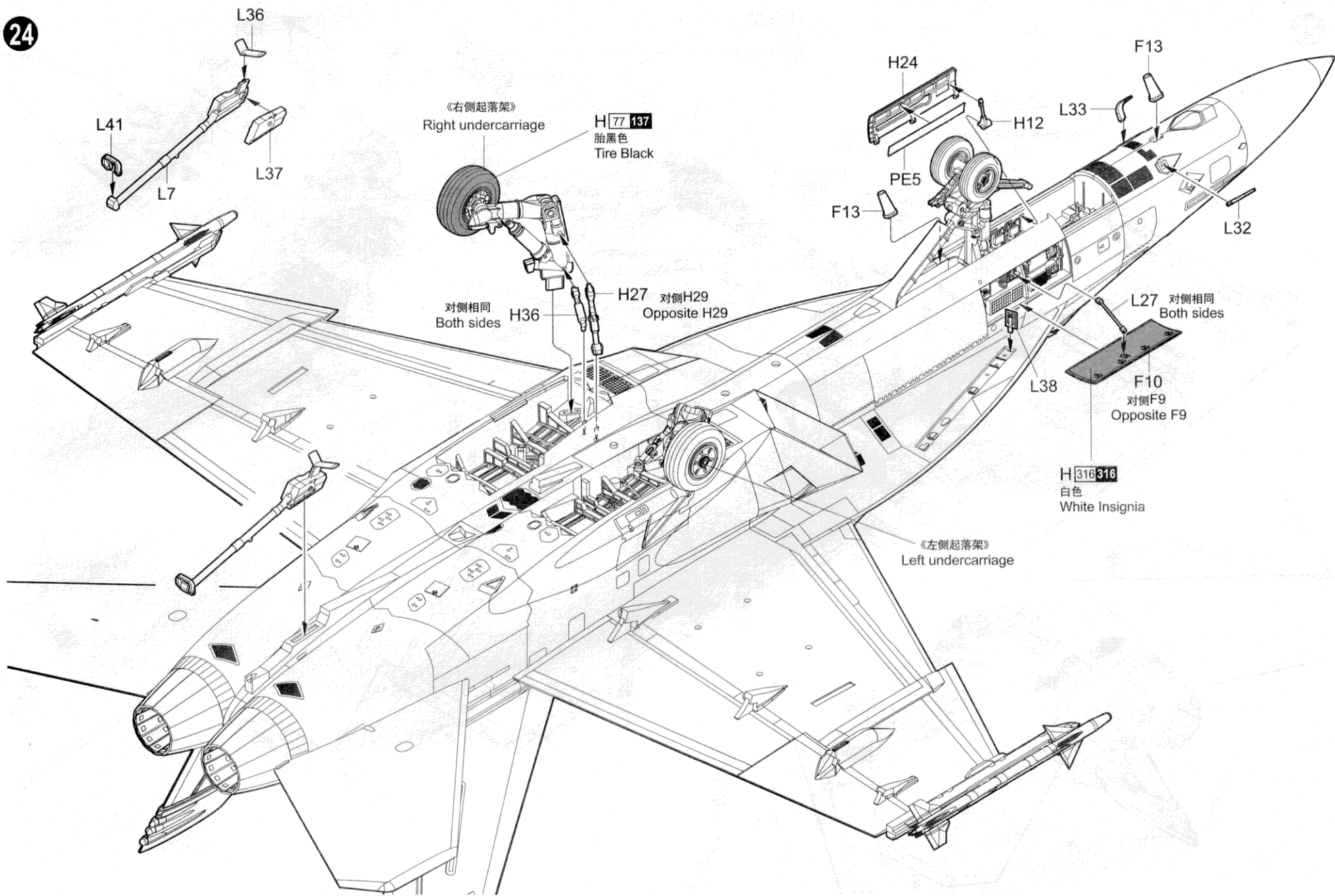
K11



《打开状态》
Open







H 316 316

白色
White Insignia

H30

选择
Option

H31

H23

H21

Opposite F7
对侧F7

Opposite F15
对侧F15

Opposite F4
对侧F4

F8

F14

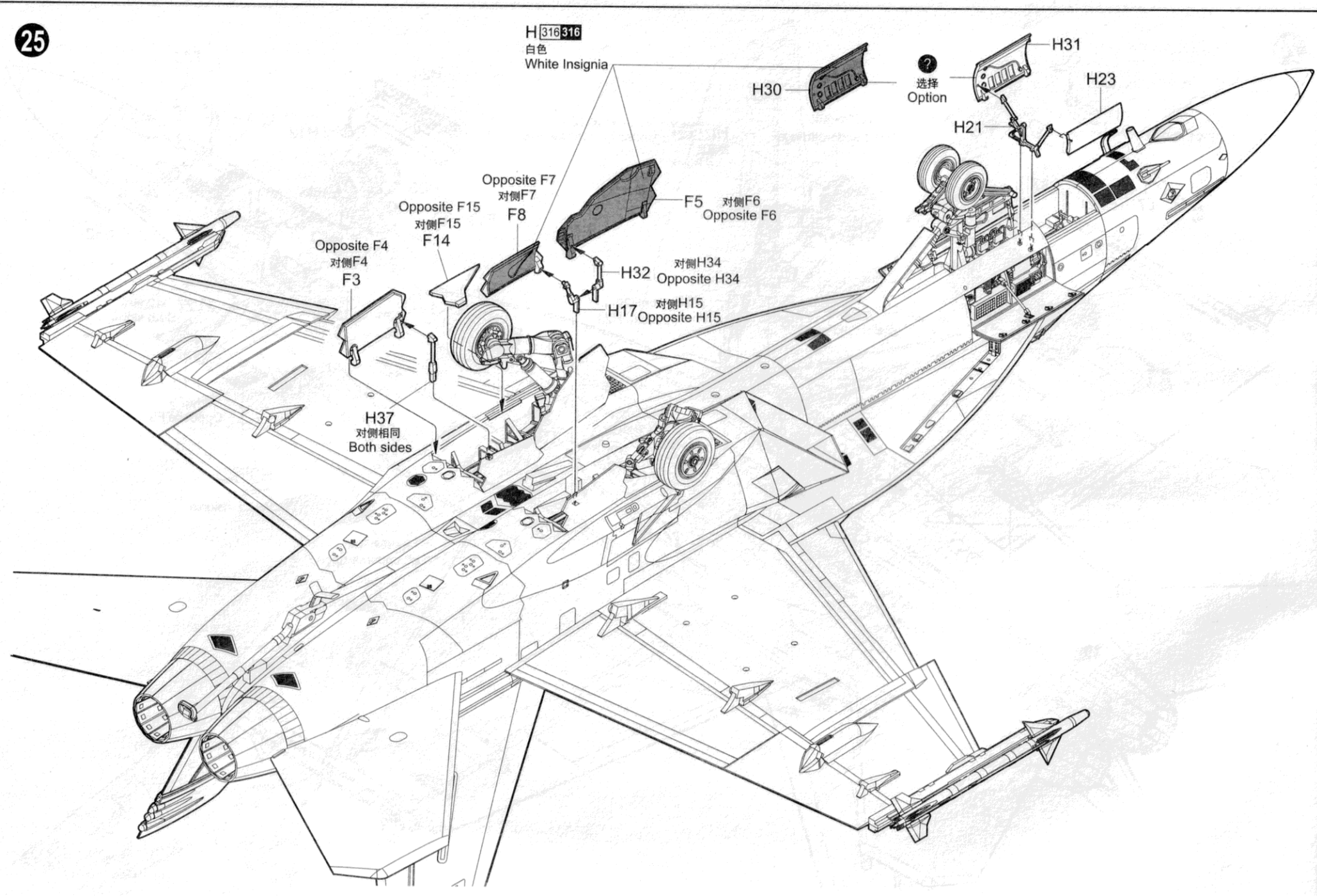
F3

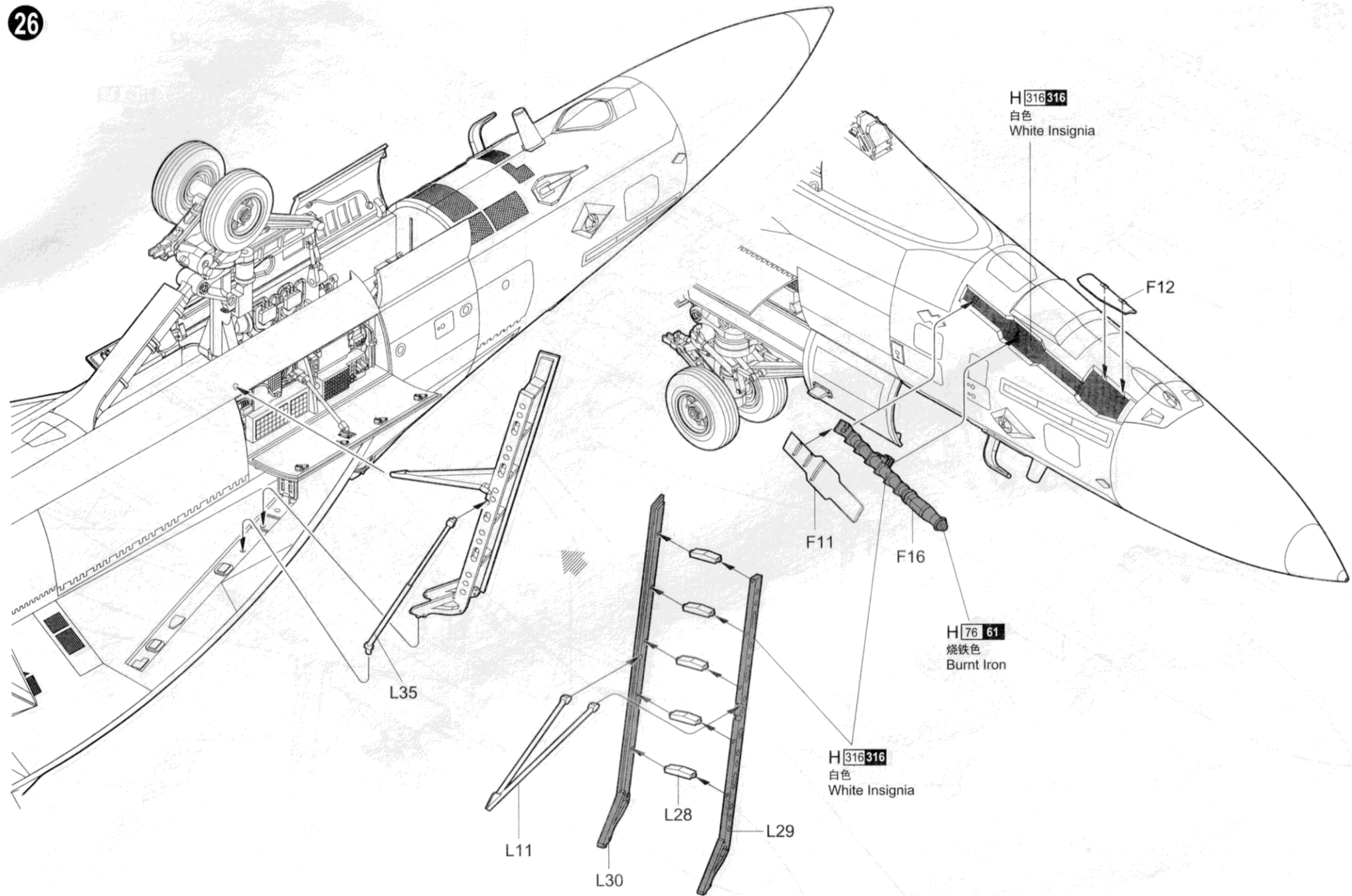
F5 对侧F6
Opposite F6

H32 对侧H34
Opposite H34

H17 对侧H15
Opposite H15

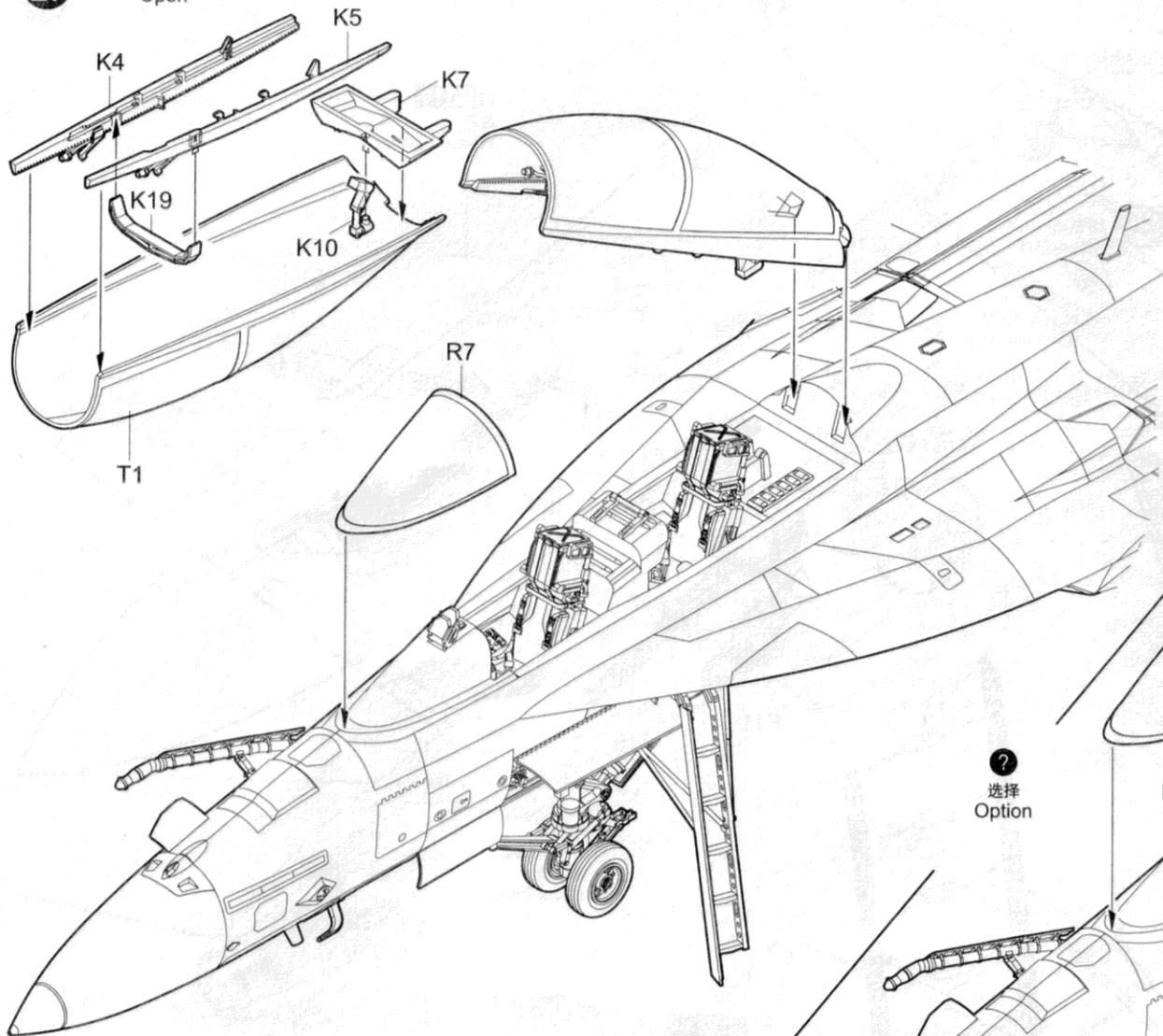
H37
对侧相同
Both sides



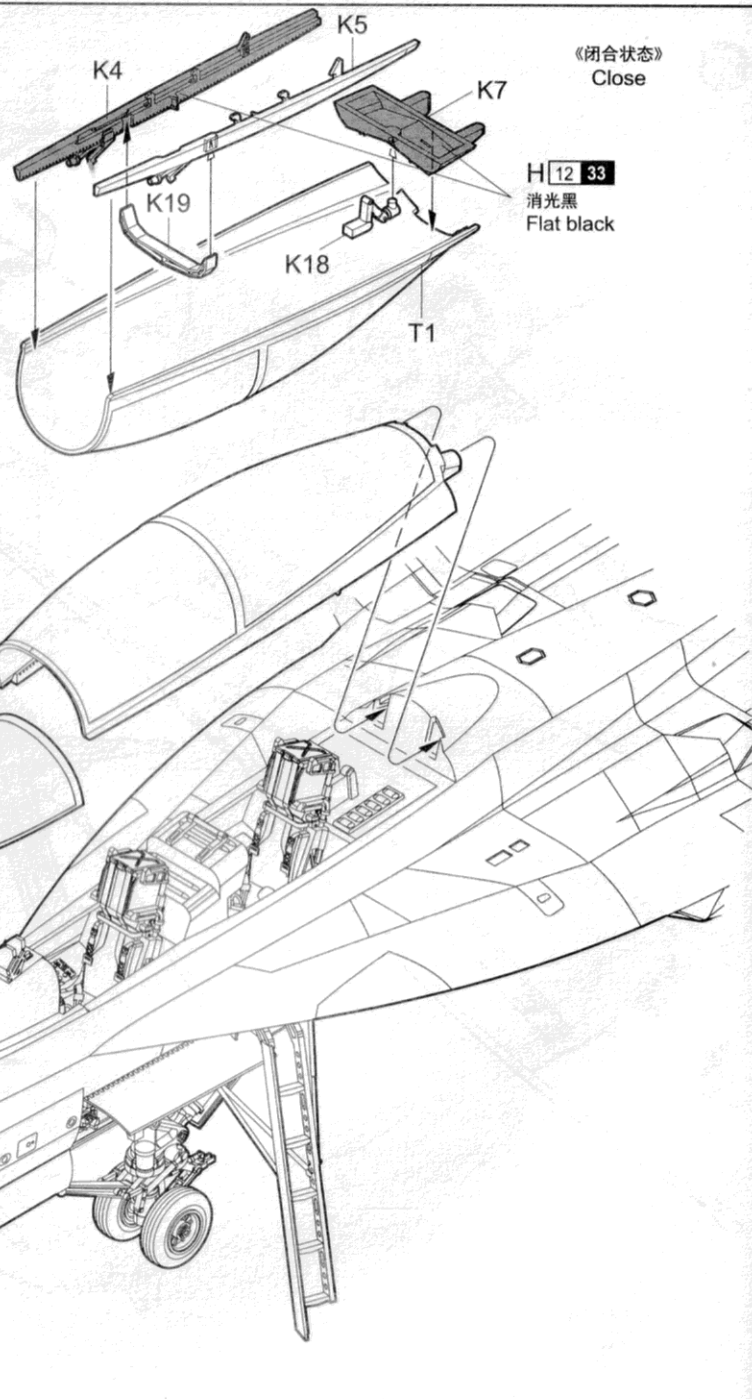


27

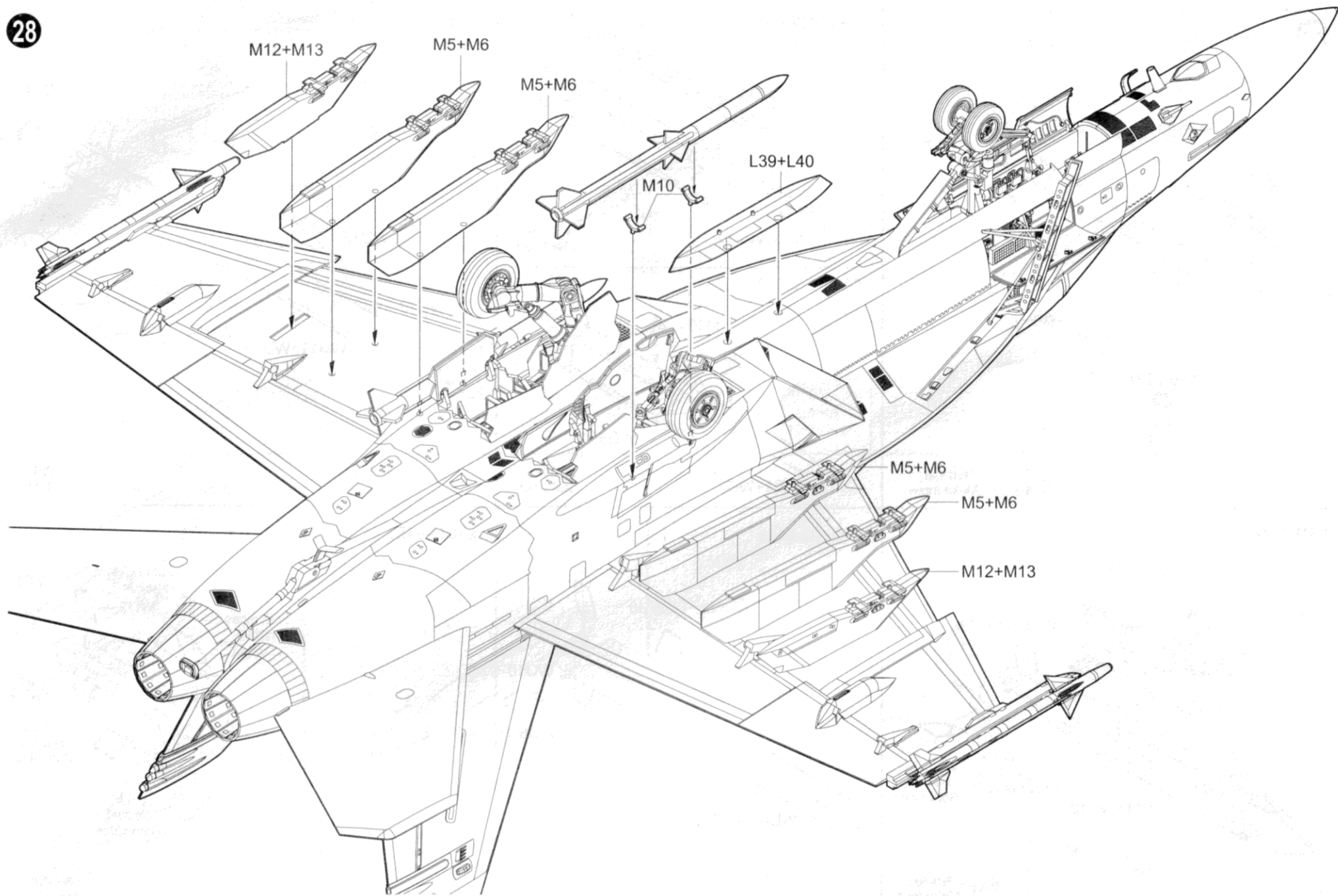
《打开状态》
Open



《闭合状态》
Close

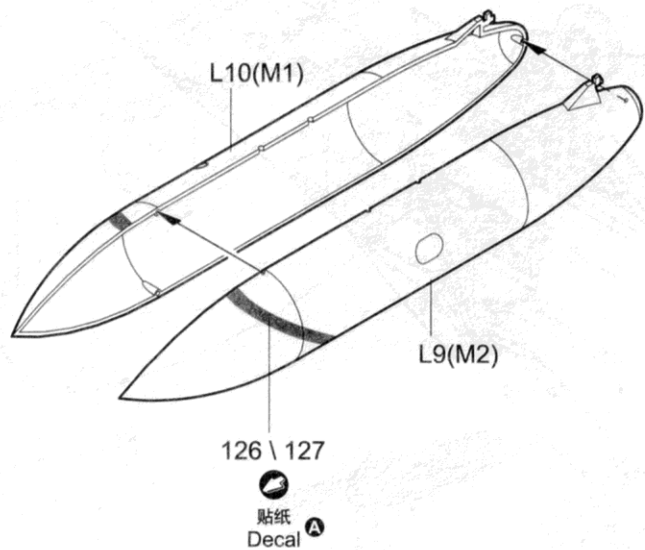


选择
Option



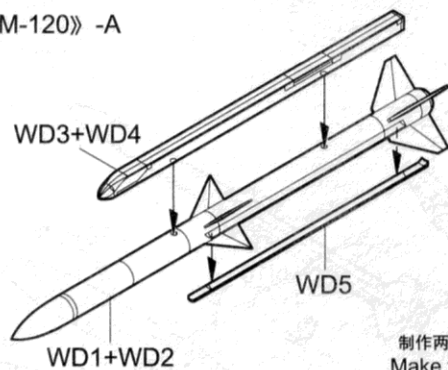
29

《Fuel Tank》



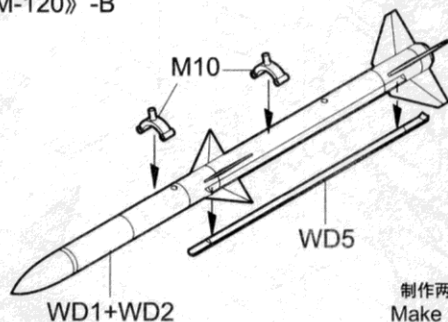
制作三组
Make three

《AIM-120》-A



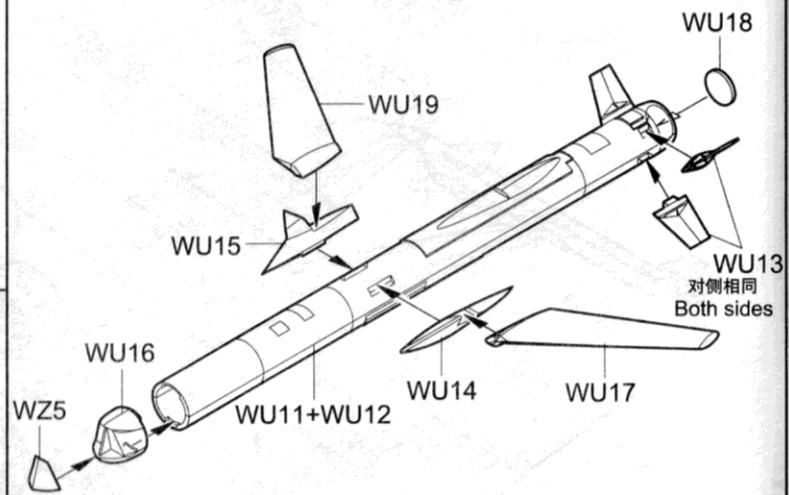
制作两组
Make two

《AIM-120》-B



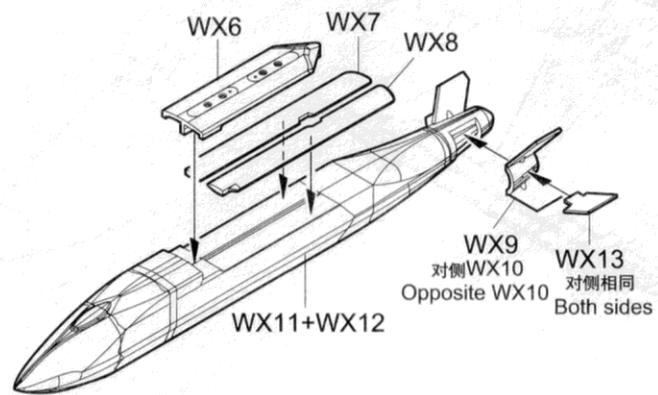
制作两组
Make two

《AGM-84H》



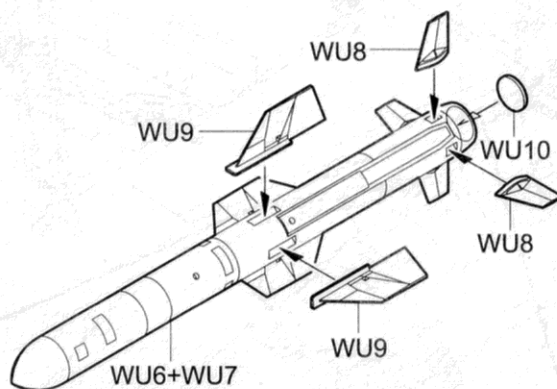
制作两组
Make two

《AGM-154》



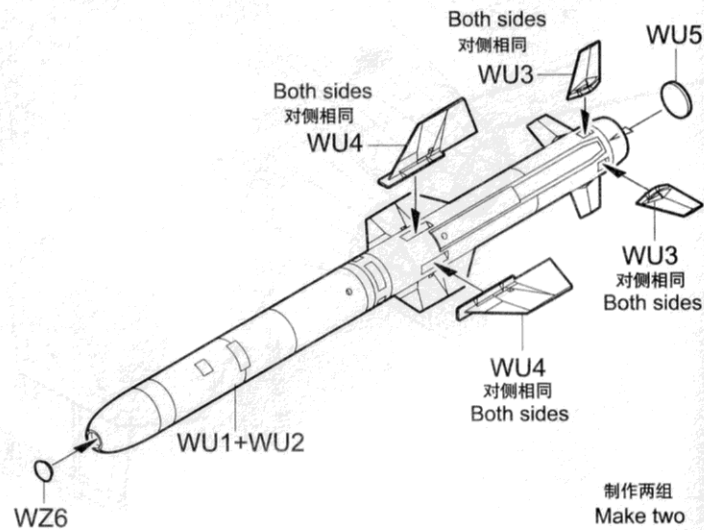
制作四组
Make four

《AGM-84A》



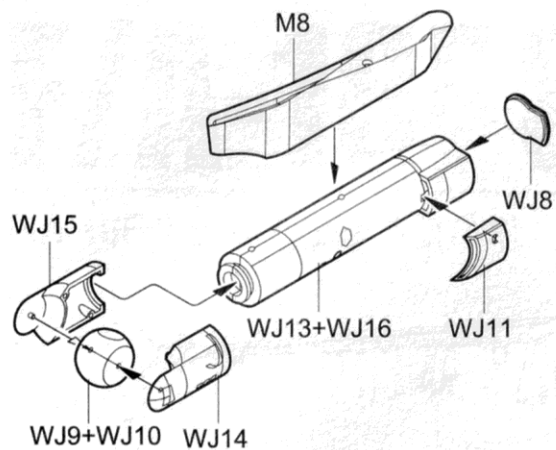
制作两组
Make two

《AGM-84E》

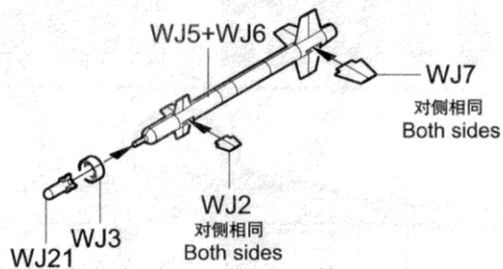


制作两组
Make two

30 《AN/AAQ-25》

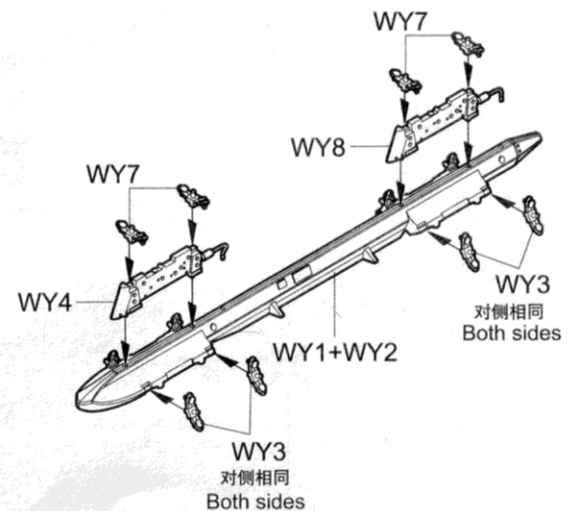


《LGTR》



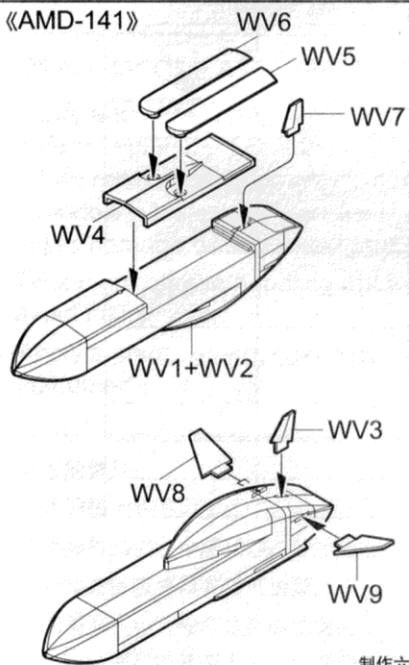
制作两组
Make two

《MER》



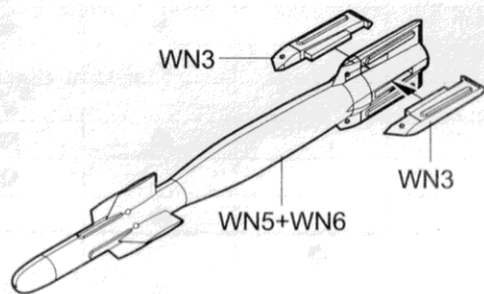
制作两组
Make two

《AMD-141》



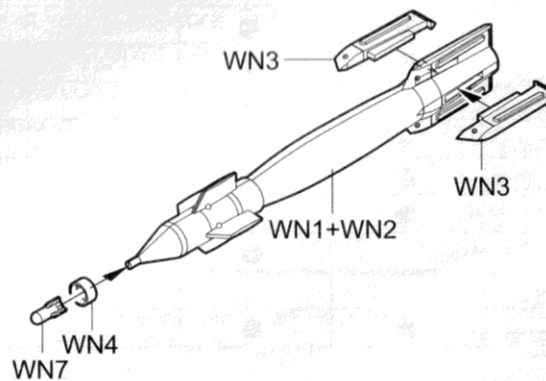
制作六组
Make six

《GBU-22》



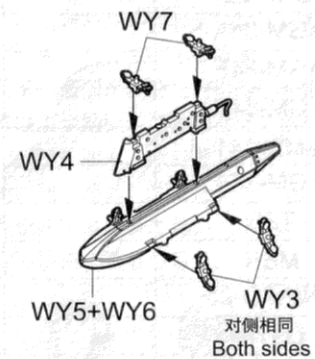
制作六组
Make six

《GBU-12》

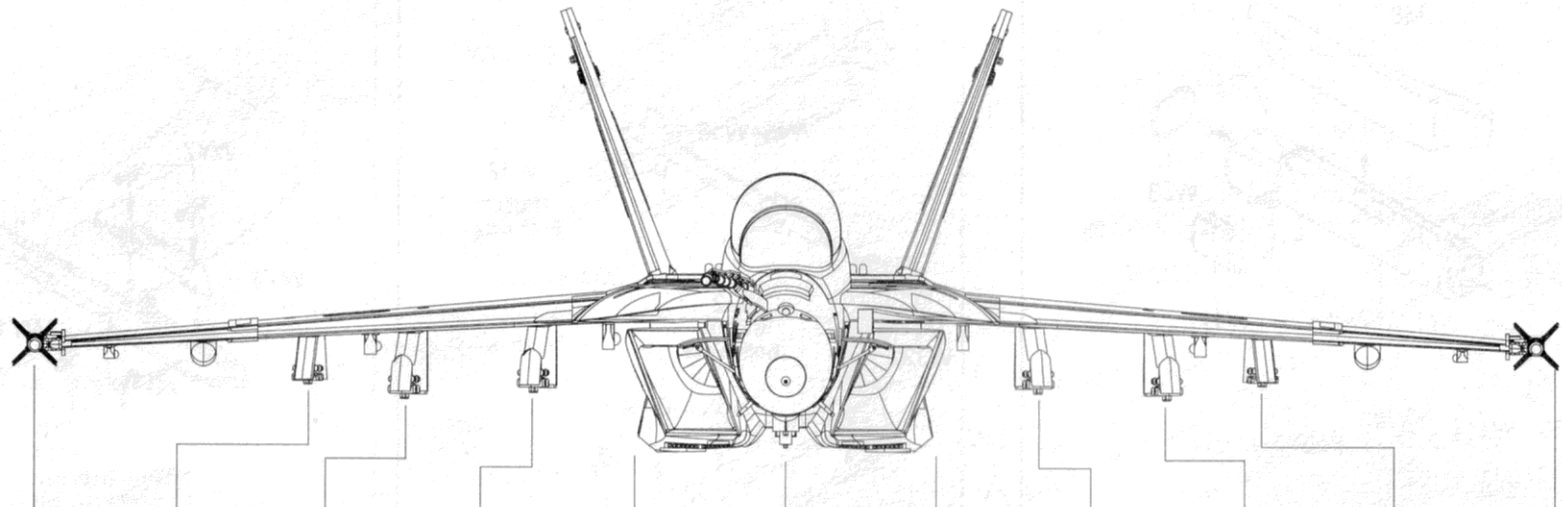


制作六组
Make six

《TER》



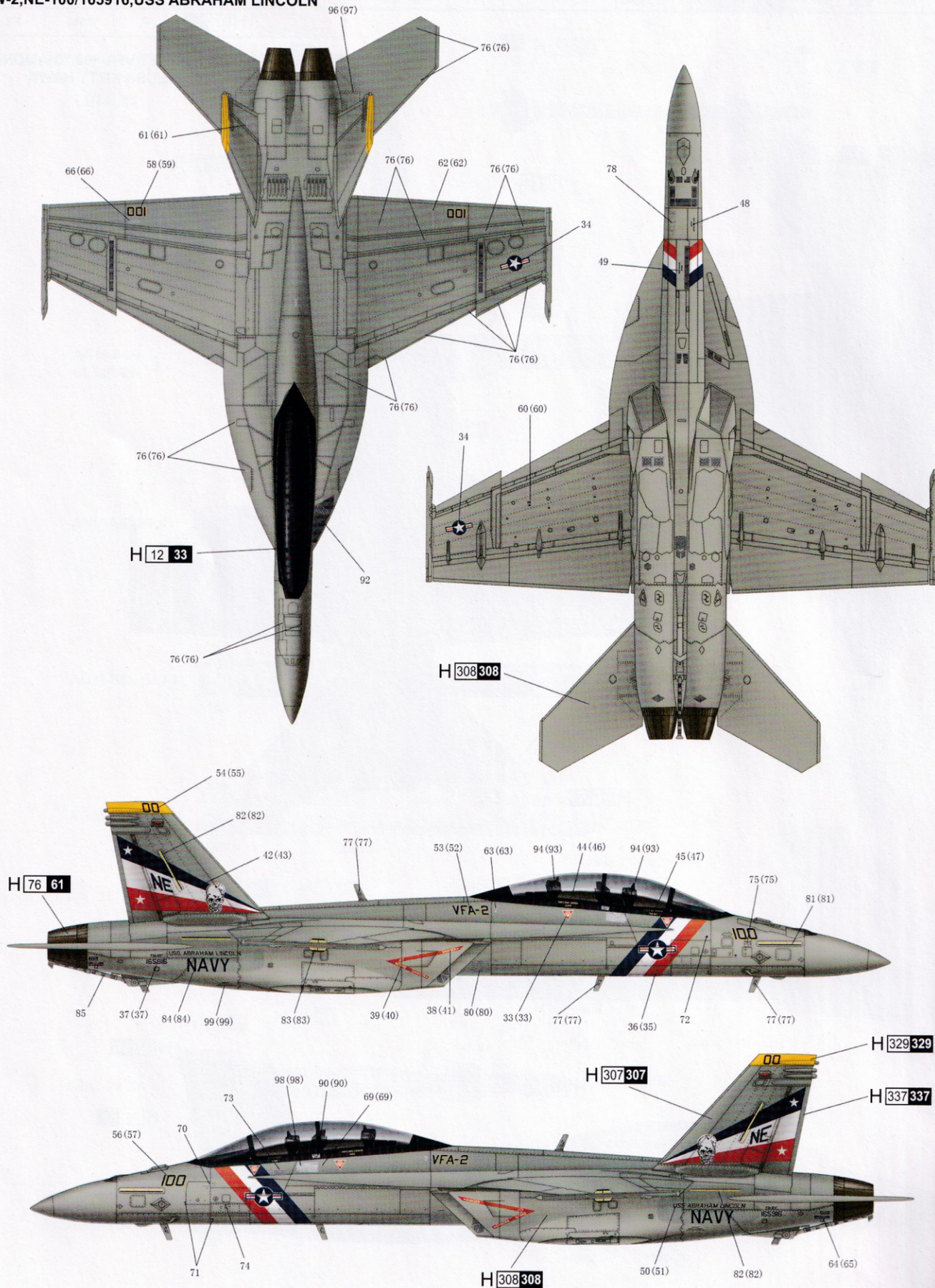
制作两组
Make two



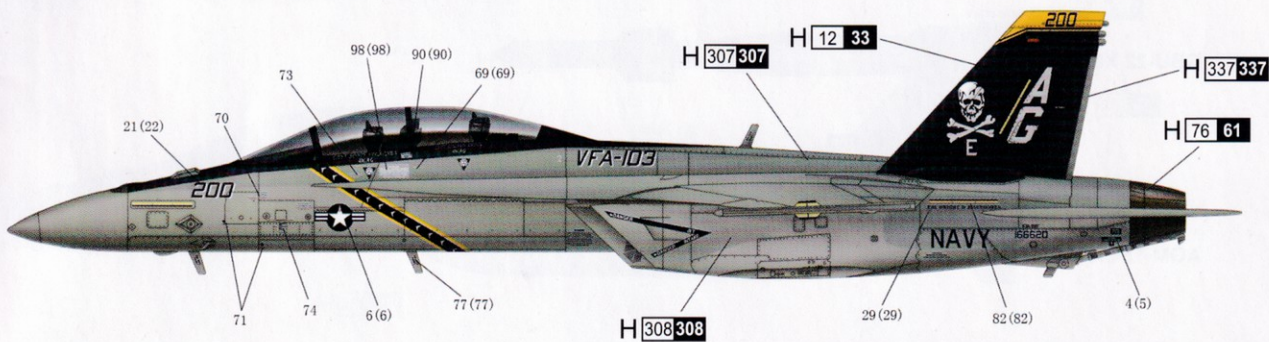
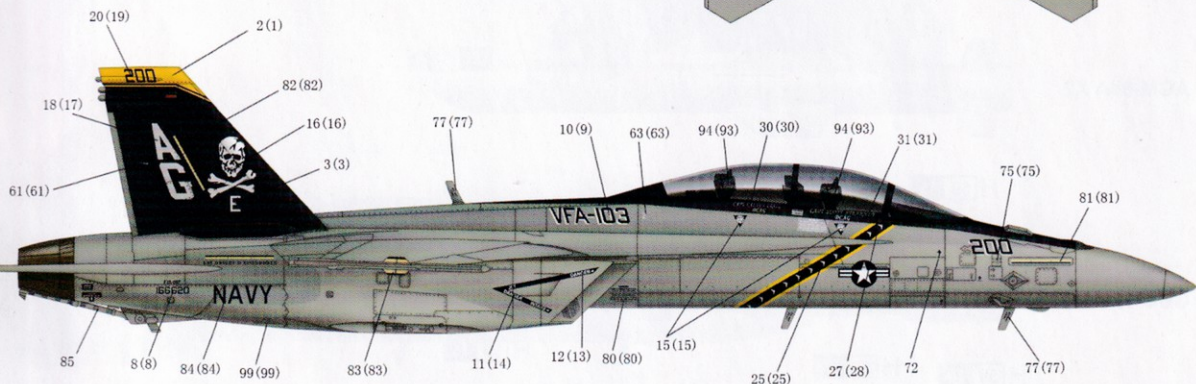
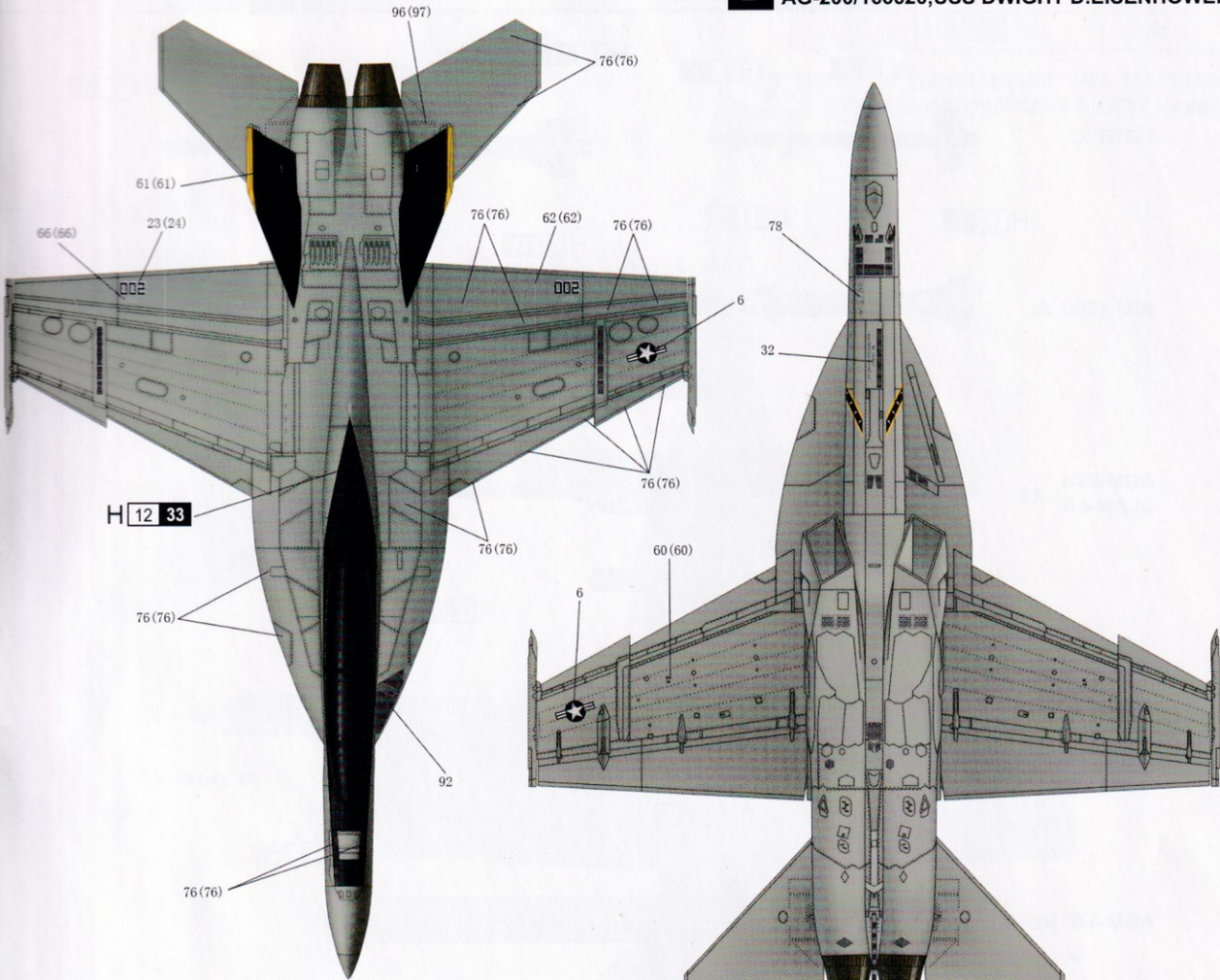
Sta.No.	1	2	3	4	5	6	7	8	9	10	11
Fuel Tank				●		●		●			
AIM-120				●	●		●	●			
AIM-9X	●										●
GBU-12				●●●				●●●			
GBU-22				●●●				●●●			
AGM-84A			●	●				●	●		
AGM-84E			●	●				●	●		
AGM-84H				●				●			
AMD-141			●●●						●●●		
AGM-154			●	●				●	●		
TER			●						●		
MER				●				●			
AN/AAQ-25							●				
LGTR			●	●				●	●		

涂装同标贴指示 Painting & Marking guide

A F/A-18F SUPER HORNET VFA-2 "BOUNTY HUNTERS",
CVW-2, NE-100/165916, USS ABRAHAM LINCOLN



B F/A-18F SUPER HORNET VFA-103 "JOLLY ROGERS",
AG-200/166620, USS DWIGHT D. EISENHOWER



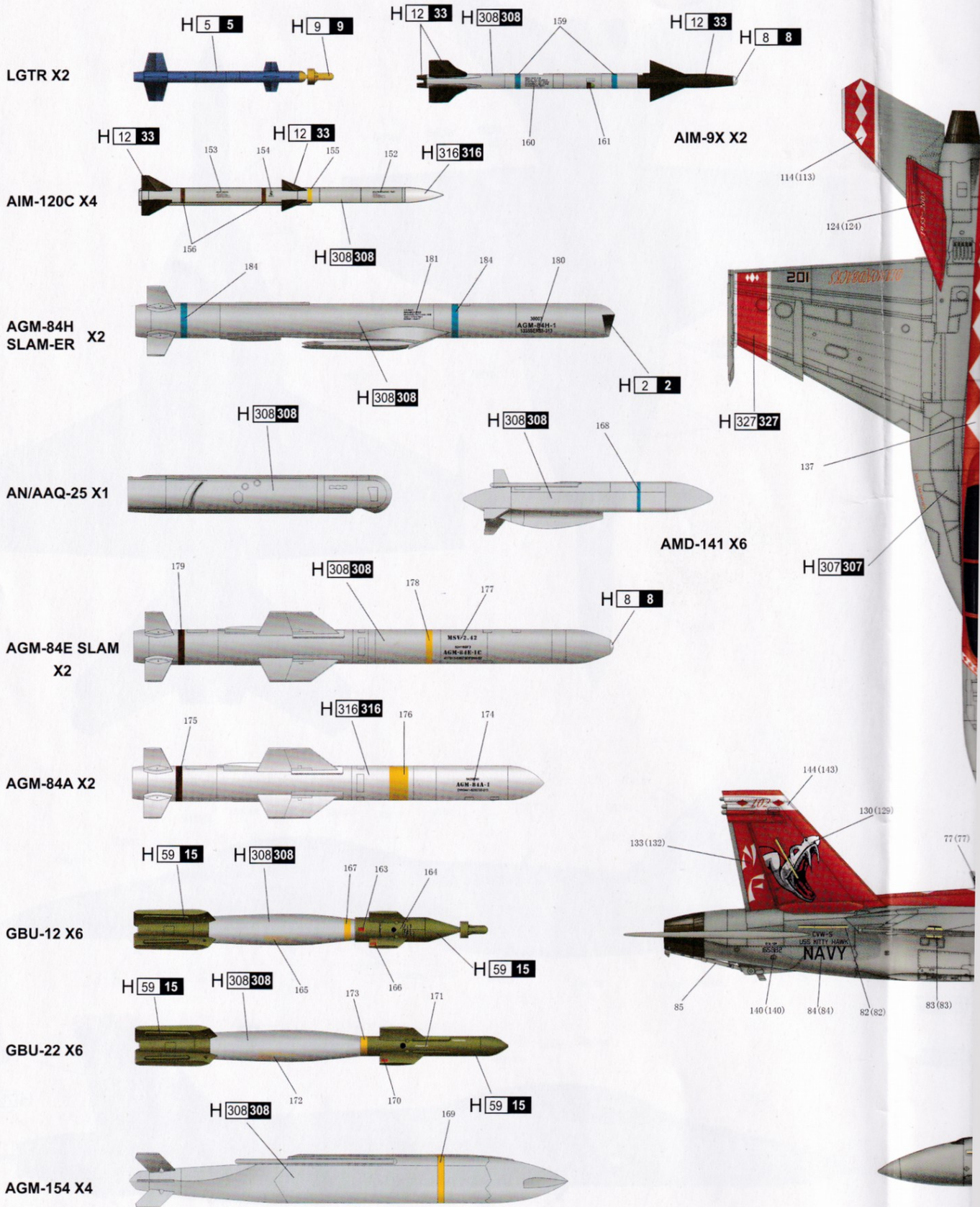
H X AQUEOUS HOBBY COLOR

Mr. COLOR

涂装同标贴指示 Painting & Marking guide

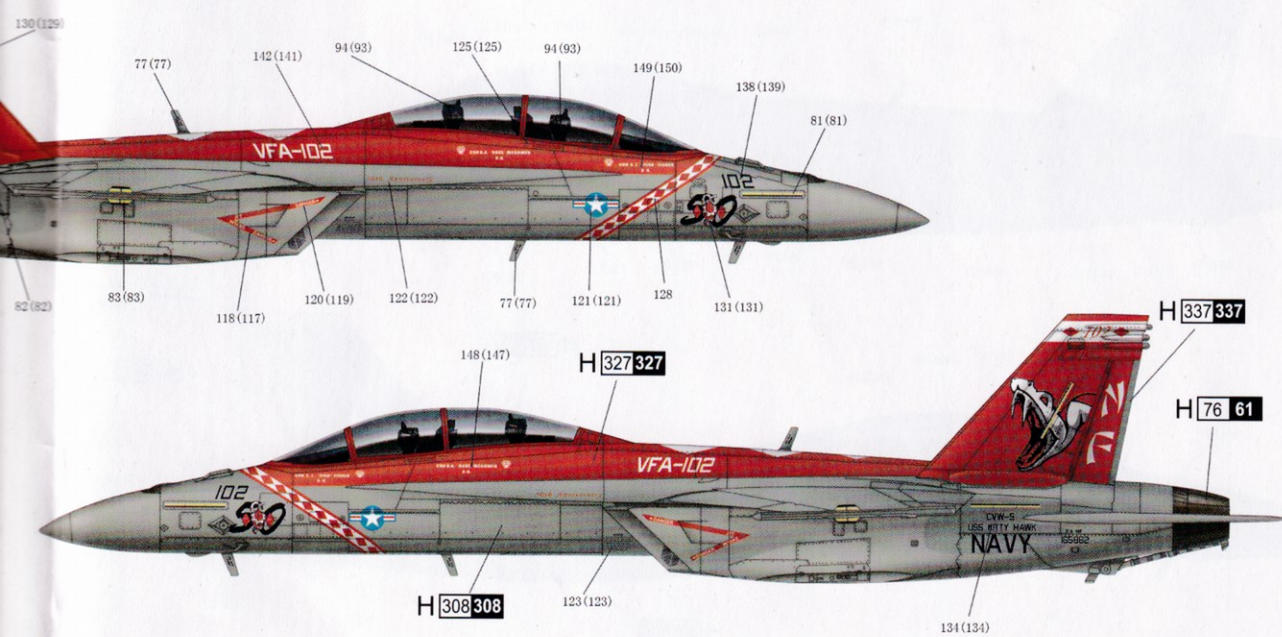
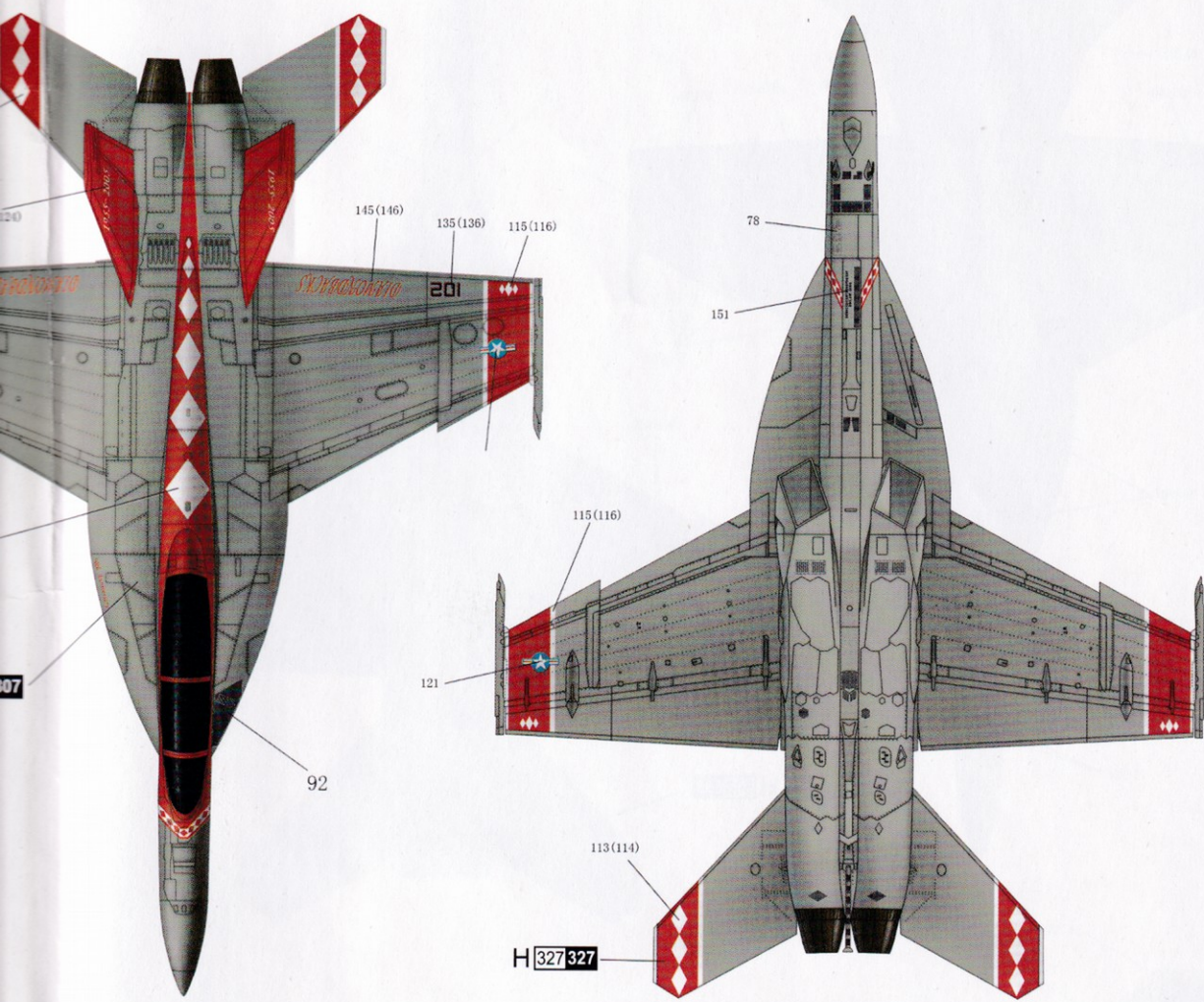
Color	Mr.Hobby	Vallejo	Model Master	Tamiya	Humbrol
银色 Silver	H 8 8	997	1546	X11	11
消光黑 Flat Black	H 12 33	950	1749	XF1	33
烧铁色 Burnt Iron	H 76 61	863	1795	X10	53

Color	Mr.Hobby	Vallejo	Model Master	Tamiya
黑色 Black	H 2 2	861	1747	X1
金色 Gold	H 9 9	878	1744	X12
蓝色 Blue	H 5 5	899	1772	X3



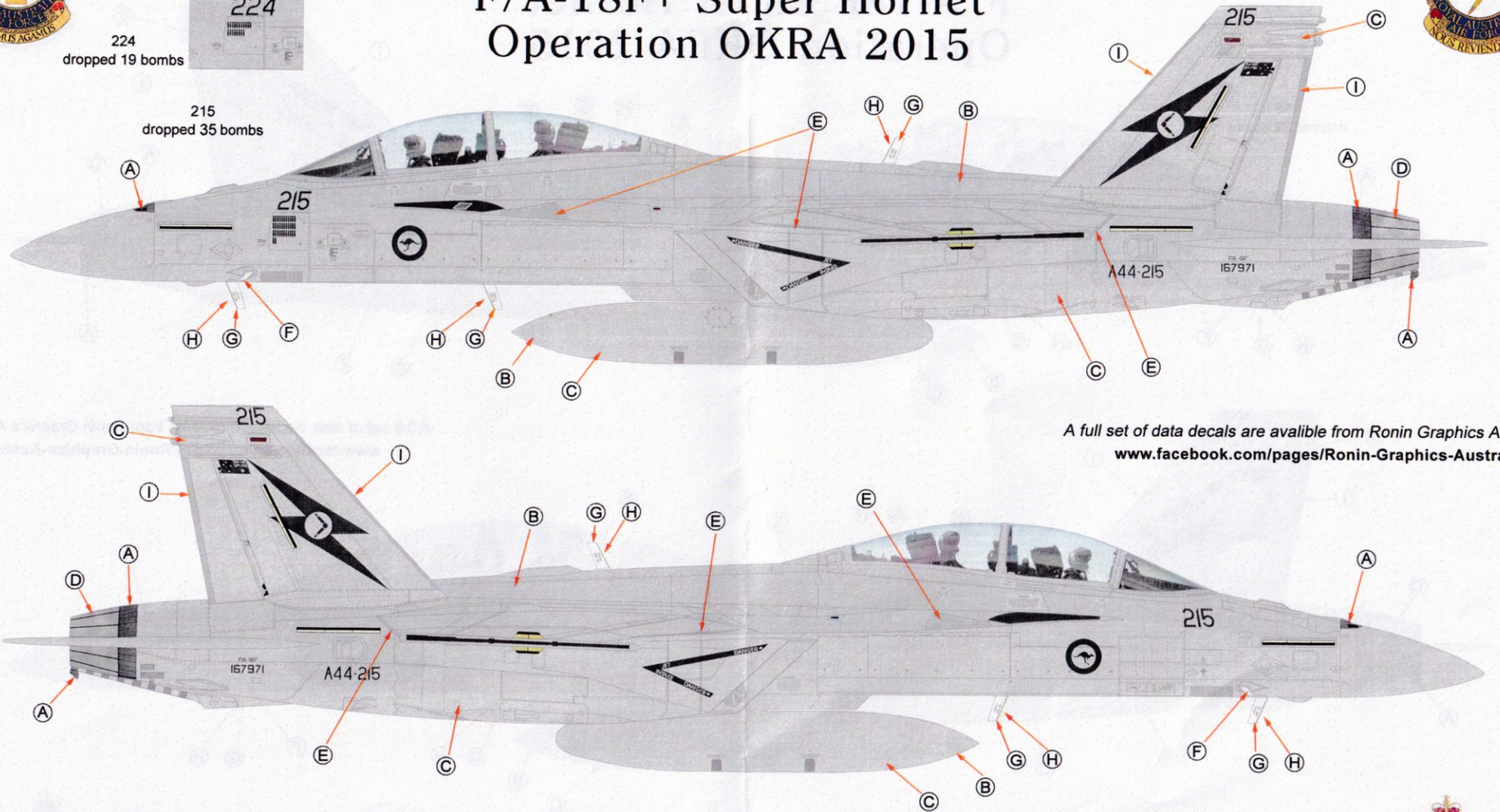
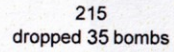
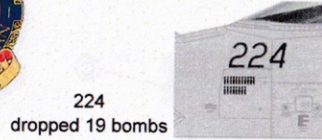
Model	Tamiya	Humbrol	Color	Mr.Hobby	Vallejo	Model Master	Tamiya	Humbrol	Color	Mr.Hobby	Vallejo	Model Master	Tamiya	Humbrol
1747	X1	21	白色 White Insignia	H 316 316	991	1745	X2	22	浓绿(1) Ljn Green	H 59 15	892	-	XF11	75
1744	X12	16	灰色 Grey	H 307 307	-	1741	XF22	128	浅灰兰 Gray Blue	H 337 337	-	1721	XF20	145
1772	X3	15	灰色 Grey	H 308 308	990	1728	XF19	127	红色 Insignia Red	H 327 327	957	1705	XF7	153
									黄色 Orange Yellow	H 329 329	-	1514	X8	188

C F/A-18F SUPER HORNET VFA-102 "DIAMONDBACKS", CVW-5,NF-102/165882,USS KITTY HAWK





Royal Australian Air Force 6 Squadron F/A-18F+ Super Hornet Operation OKRA 2015



A full set of data decals are available from Ronin Graphics Australia
www.facebook.com/pages/Ronin-Graphics-Australia

Drawings by Steven Evans © Copyright 2015

Reference:
RAAF Website.
www.adf.gov.au
+Personal Pics

- (A) Steel
- (B) (Upper Surface) Dark Ghost Grey FS-36320

- (C) (Lower Surface) Light Ghost Grey FS-36375
- (D) Burnt Iron

- (E) (Leading/trailing edges wing only) Dark Ghost Grey FS-36320 + 5% Medium Grey FS-35237
- (F) Silver
- (G) White

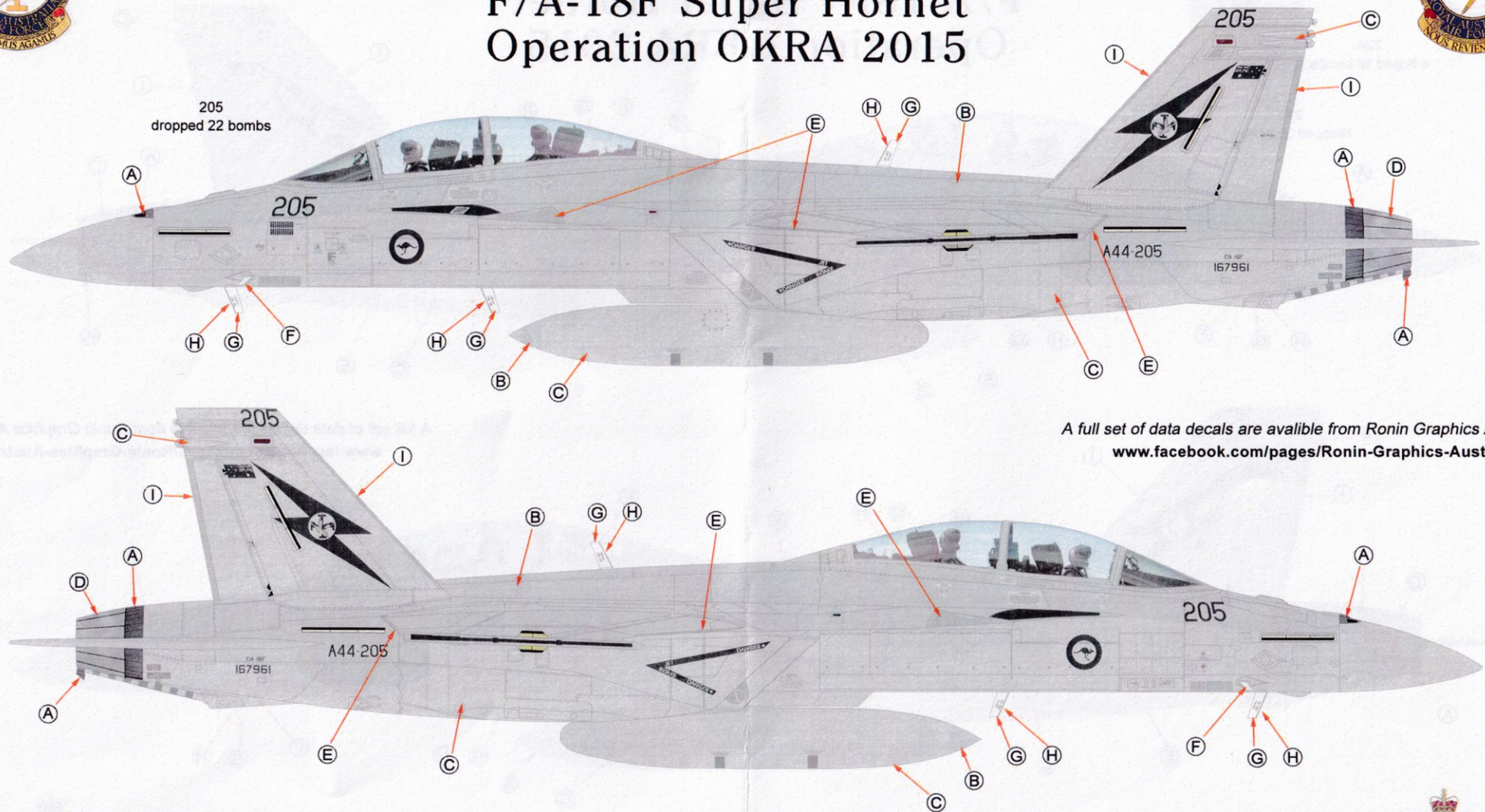
- (I) (Leading and trailing edges of tail only) Light Ghost Grey FS-36375 + 5% Medium Grey FS-35237
- (H) Matt Linen (Leading edges of antenna's) Hum 74



The RAAF Roundel, Squadron Markings and Badges have been reproduced under license and with permission and approval of the Royal Australian Air Force



Royal Australian Air Force 1 Squadron F/A-18F Super Hornet Operation OKRA 2015



A full set of data decals are available from Ronin Graphics Australia
www.facebook.com/pages/Ronin-Graphics-Australia

Drawings by Steven Evans ©Copyright 2015

Reference:
RAAF Website.
www.adf.gov.au
+Personal Pics

(A) Steel

(B) (Upper Surface)
Dark Ghost Grey
FS-36320

(C) (Lower Surface)
Light Ghost Grey
FS-36375

(D) Burnt Iron

(E) (Leading/trailing edges wing only)
Dark Ghost Grey FS-36320
+ 5% Medium Grey FS-35237

(F) Silver

(G) White

(I) (Leading and trailing edges of tail only)
Light Ghost Grey FS-36375
+ 5% Medium Grey FS-35237

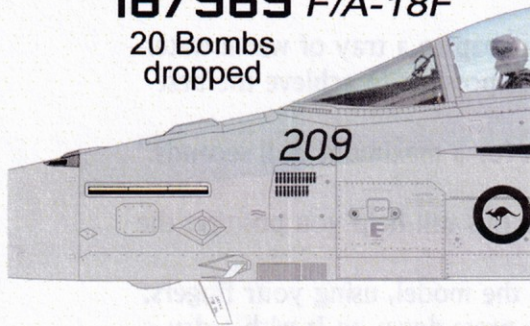
(H) Matt Linen (Leading edges of antenna's)
Hum 74



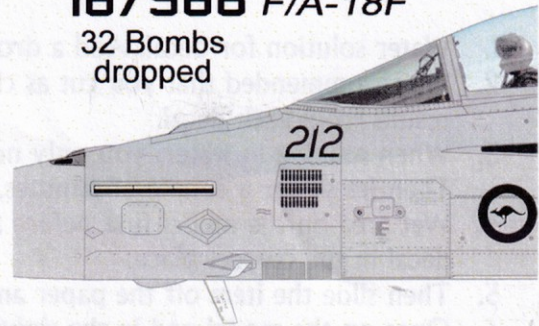
The RAAF Roundel, Squadron Markings and Badges
have been reproduced under license and with permission
and approval of the Royal Australian Air Force

Super Hornet Close up

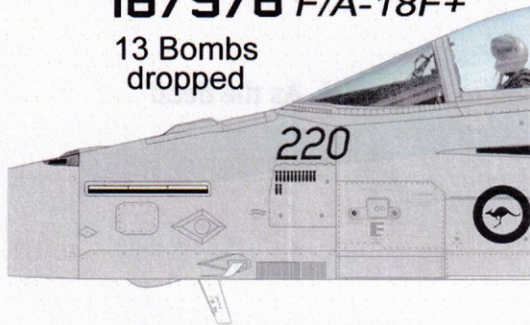
F/A-18F 1 Sqn
167965 F/A-18F
 20 Bombs
 dropped



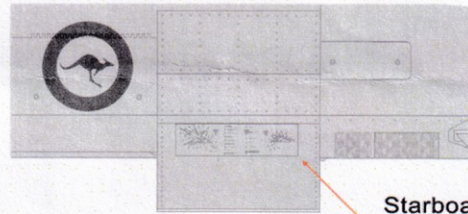
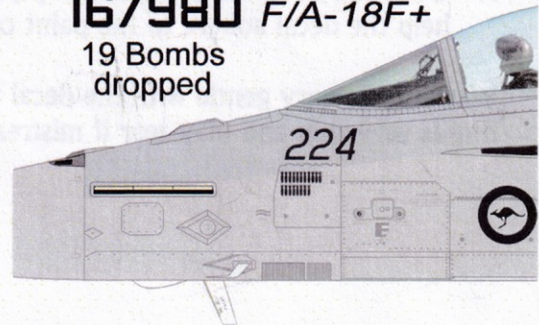
F/A-18F 1 Sqn
167968 F/A-18F
 32 Bombs
 dropped



F/A-18F 1 Sqn
167976 F/A-18F+
 13 Bombs
 dropped

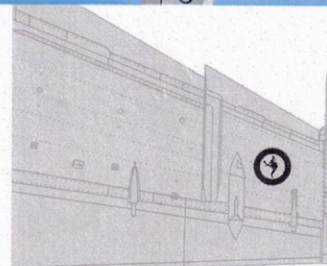


F/A-18F 6 Sqn
167980 F/A-18F+
 19 Bombs
 dropped



Starboard side

New style of data placard, position
 on the Starboard side forward
 undercarriage door



Note: There is a roundel on the bottom
 of each wing as shown

Photo's by defence PR

A full set of data decals are available from Ronin Graphics Australia
www.facebook.com/pages/Ronin-Graphics-Australia

DDS-049 RAAF F/A-18F Super Hornet Operation Okra 2015

PRINTED AND DESIGNED BY:
RONIN GRAPHICS AUSTRALIA
 AUSTRALIAN MADE AND OWNED

