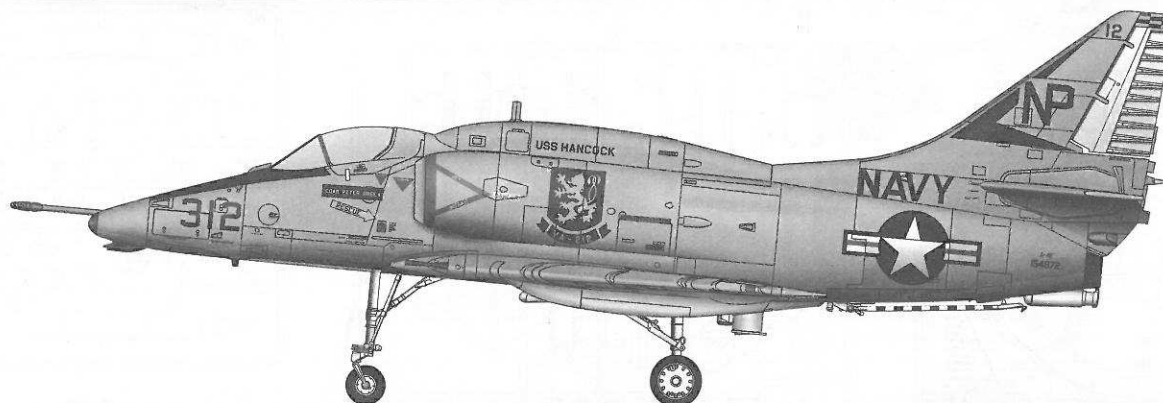


1:48 Scale

Item No.:81765



# A-4F Sky Hawk

A-4F スカイホーク A-4F “天鷹”攻击机

### PLEASE READ BEFORE OPERATION!

- \* Tools recommended as below: (Not included)  
Adhesives; Paints; Side Cutters; Sharp Edged Pliers; Modeling Knife; Modeling File; Nippers; Drill; Scissors; Sand Paper; Soft Cloth; Cyanoacrylate Glue.
- \* Make sure to read this instruction listed below before assembling.
- \* The kit contains the small parts, they can be dangerous if swallowed by mistake, so keep them away from reach of children.
- \* Cut the all parts off carefully and remove the waste parts into the garbage can.
- \* More caution and care should be needed for cutting and handling the photo etched parts.
- \* Make attention that some parts should be attached the decal when assembled.
- \* During assembling, please tear up and throw away the plastic bags, or may cause the dangerous if wearing over head by children's mistake.
- \* When using the adhesives and paints, please do not use them in the closed room or near the fire, also must be very careful to protect your eyes, face and clothes.
- \* Adult supervised when assembled by children under 14 years old.

### 装配前请仔细阅读:

- \* 推荐使用的模型工具(请自备):  
专用模型胶水, 专用模型油漆, 水口剪刀, 长咀钳, 刀片, 锉刀, 镊子钳, 钻, 剪刀, 软布, 砂纸, 瞬间快干胶等。
- \* 用水口剪刀或刀片小心切下所有塑胶零件和蚀刻片零件, 不要遗失小零件。
- \* 切取蚀刻片时应特别注意防止利边划伤手指。
- \* 用模型锉刀小心锉平所有零件表面的注射浇口。
- \* 用适量的强力快干胶水粘合蚀刻片零件和金属轴, 切忌过量, 否则可能导致可动零件被粘住。
- \* 注意某些零件表面需在装配时同步贴水上贴纸。
- \* 制作时应远离幼儿并将包装袋及时收妥, 谨防小孩玩耍而引起意外。

### The method to apply the decals

1. Cut off the decal from the decal paper and put it into the warm water 40°C for 10 seconds.
2. Take the decal from the water and put it on a piece of clean cloth.
3. Remove the decal slowly from the paper to the targeted location by a wet finger.
4. Use a piece of dry and soft cloth to press it gently on the decal until it getting dry and no bubble existing.

### 水贴纸的使用方法:

- 一. 把相关的印花从水贴上剪下, 放入40°C左右的温水中浸10秒。
- 二. 然后将印花放在干净的布上。
- 三. 拿上印花纸板, 手指蘸水将印花移到适当的位置。
- 四. 用软干布轻压印花直至水干, 气泡消失。



cyanoacrylate glue  
强力胶



weight  
配重



make hole  
钻孔



cut / remov  
切除



option  
选择



no cement  
不涂胶水



decal  
贴纸



bend  
弯曲

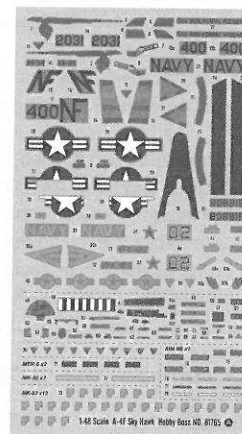
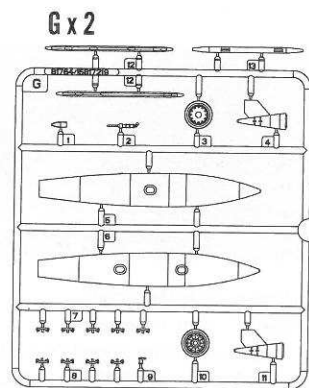
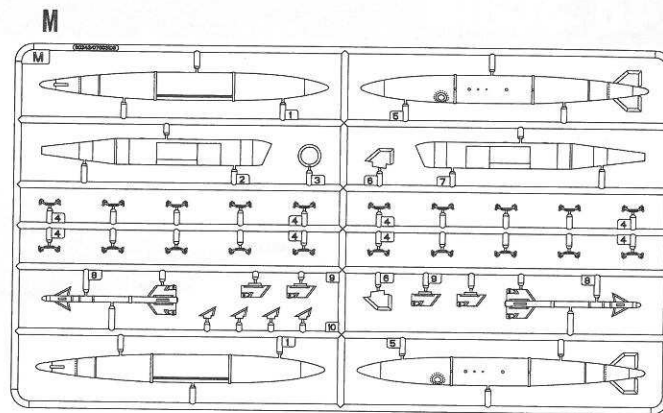
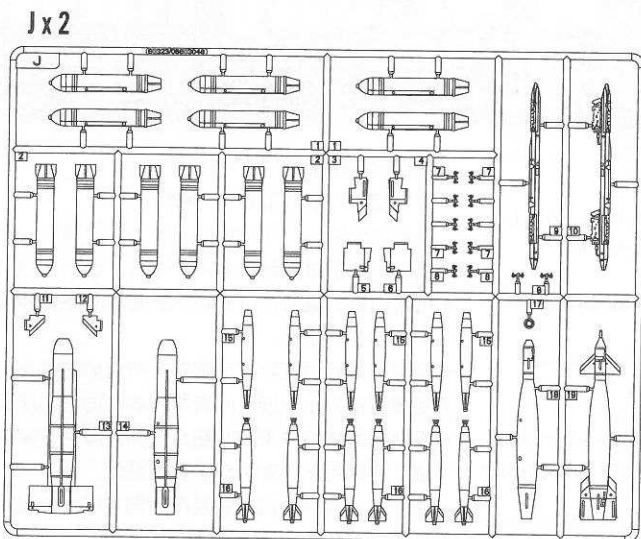
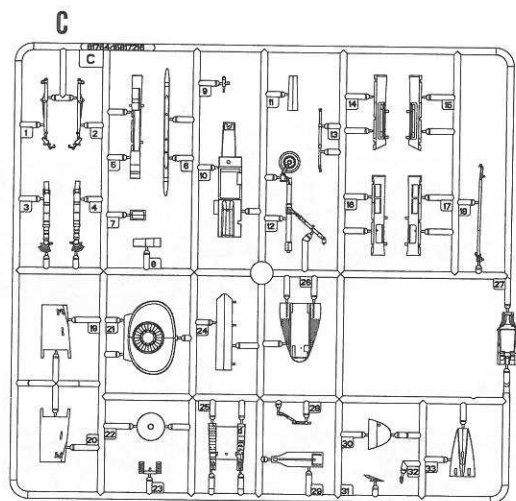
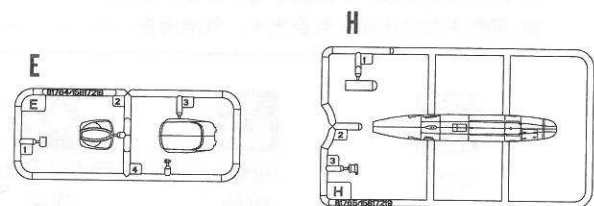
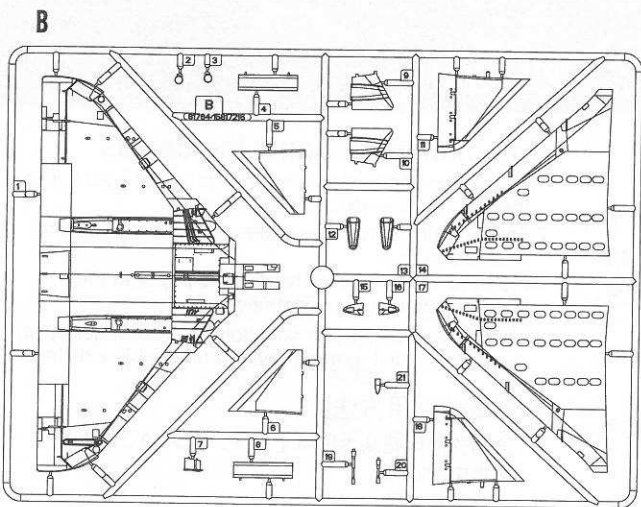
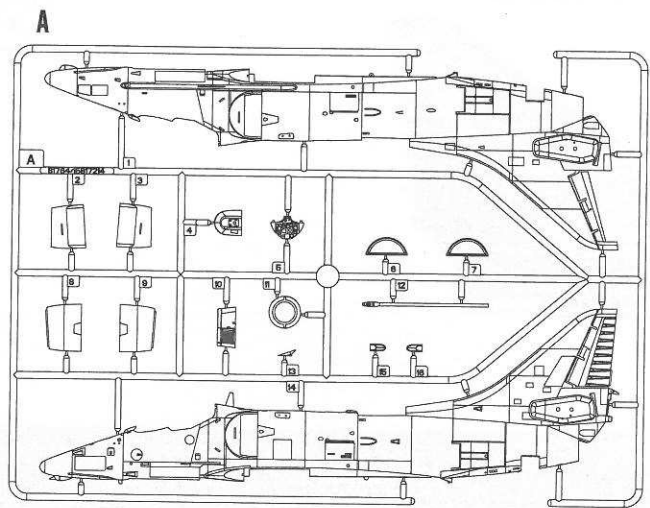


repair  
填补



install it first  
先装

部品图 Parts



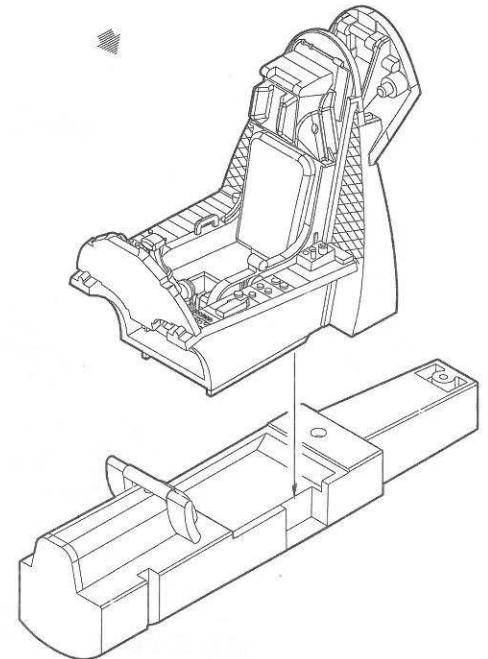
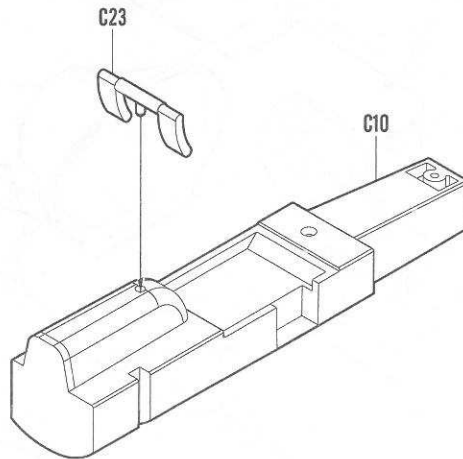
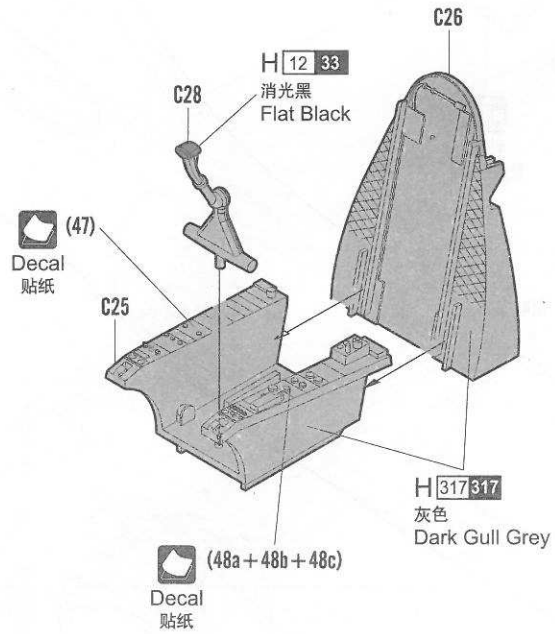
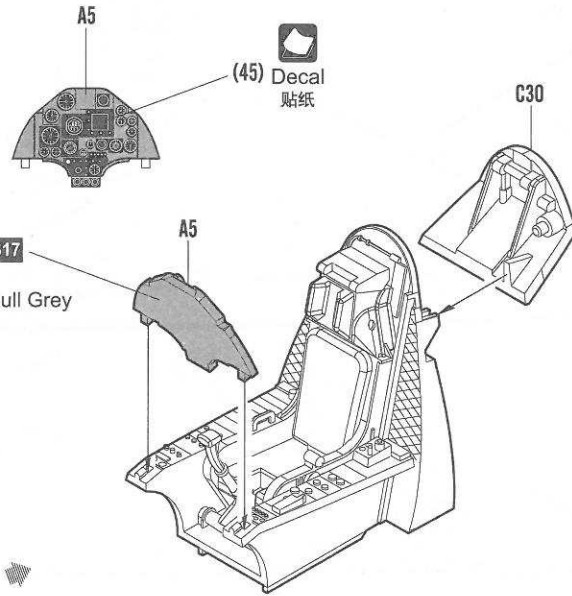
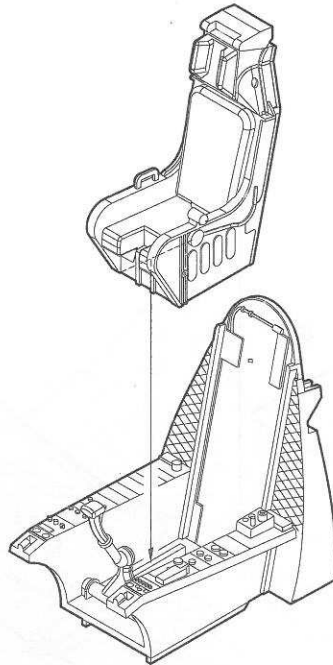
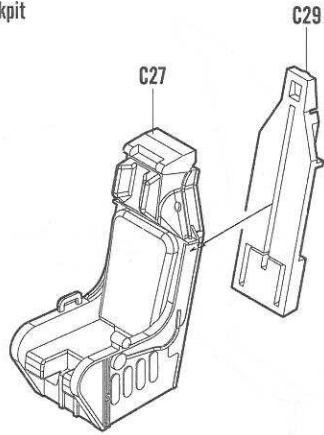
不用部件: C7,C33,J3,J4,J5,J6,J11,J12,J13,J14,J17,J18,J19,M2,M7  
Unused parts

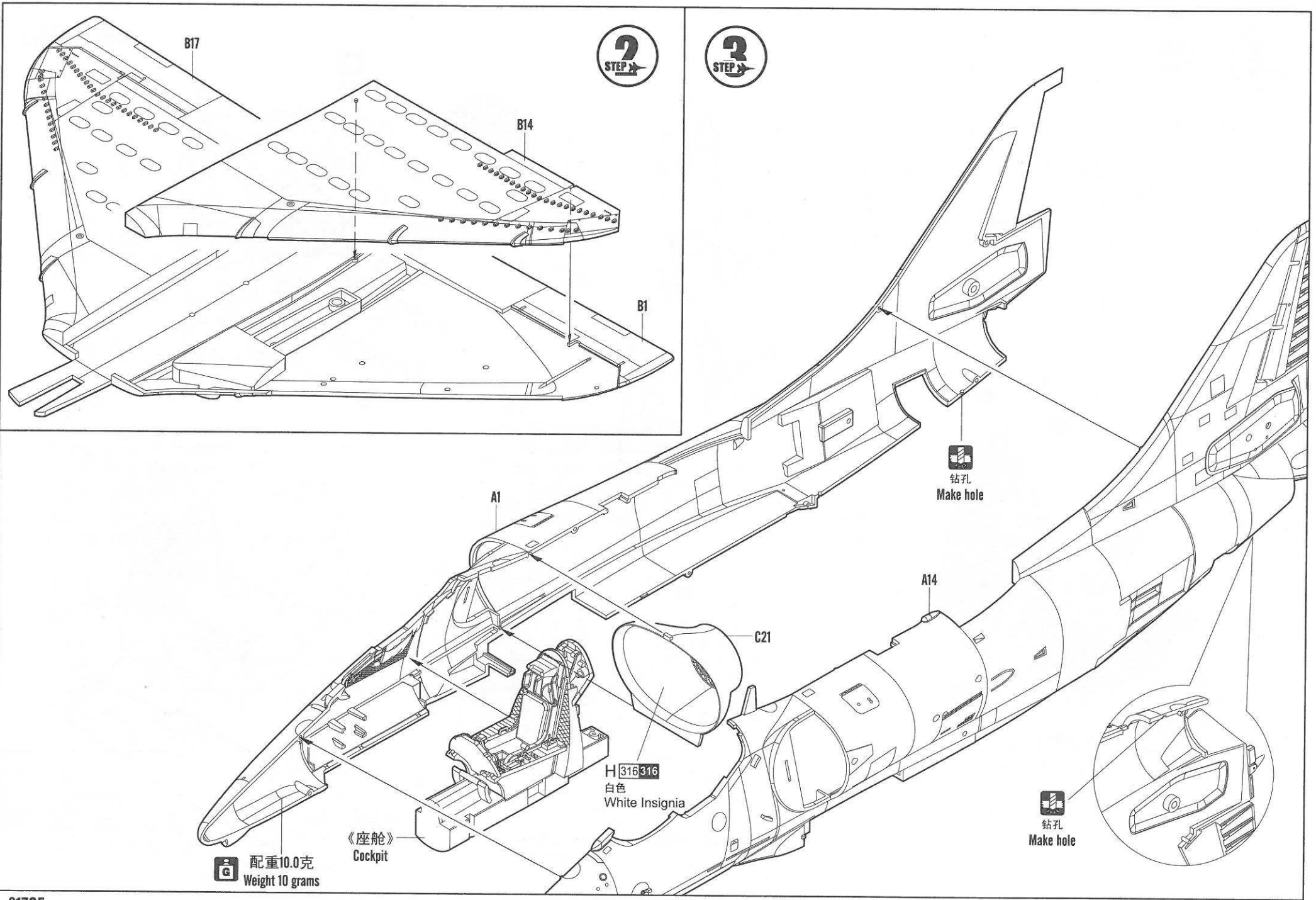
《水贴》A  
Decal A

《水贴》B  
Decal B

1  
STEP

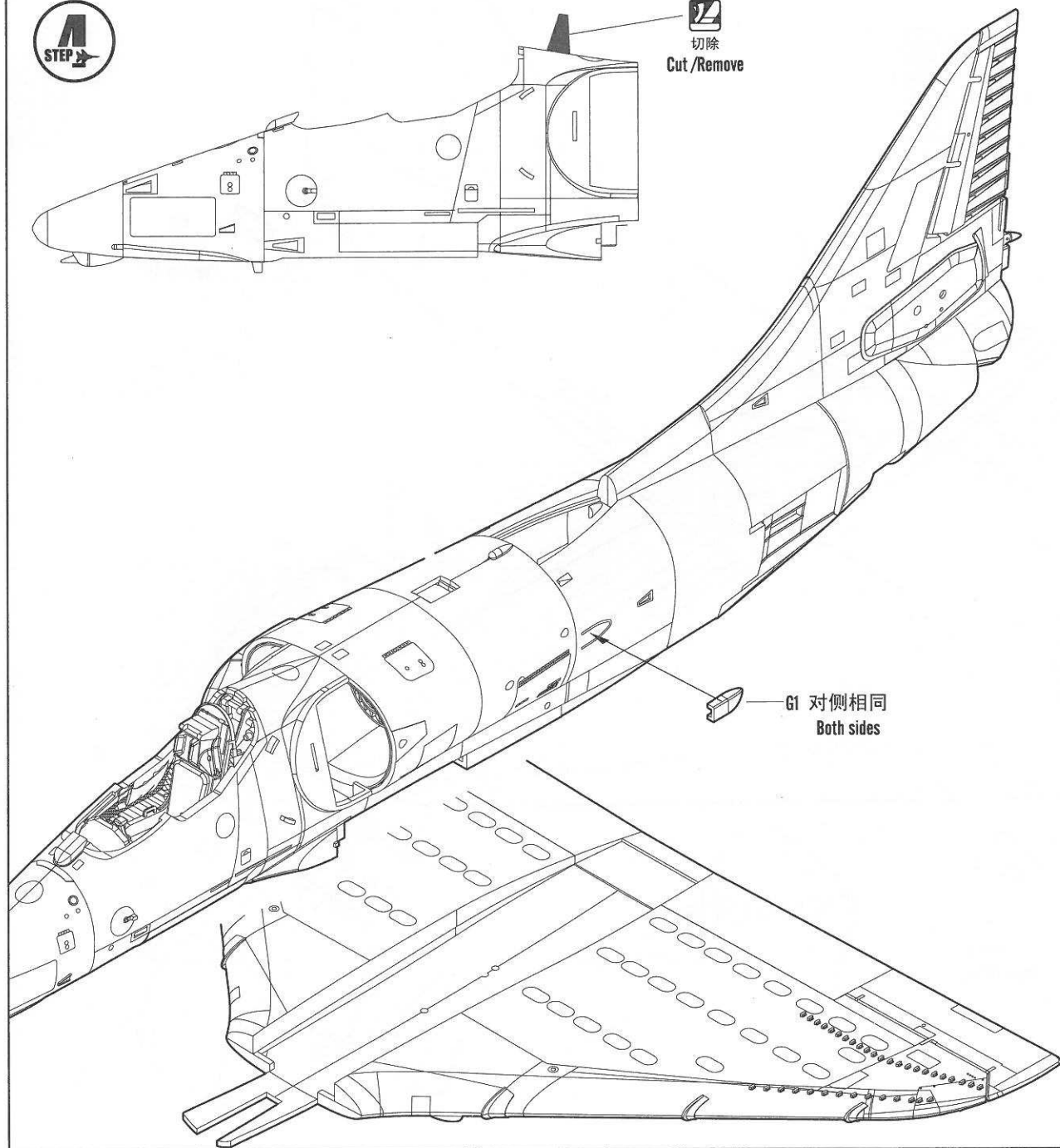
《座舱》  
Cockpit



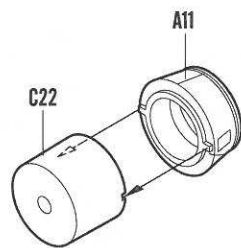




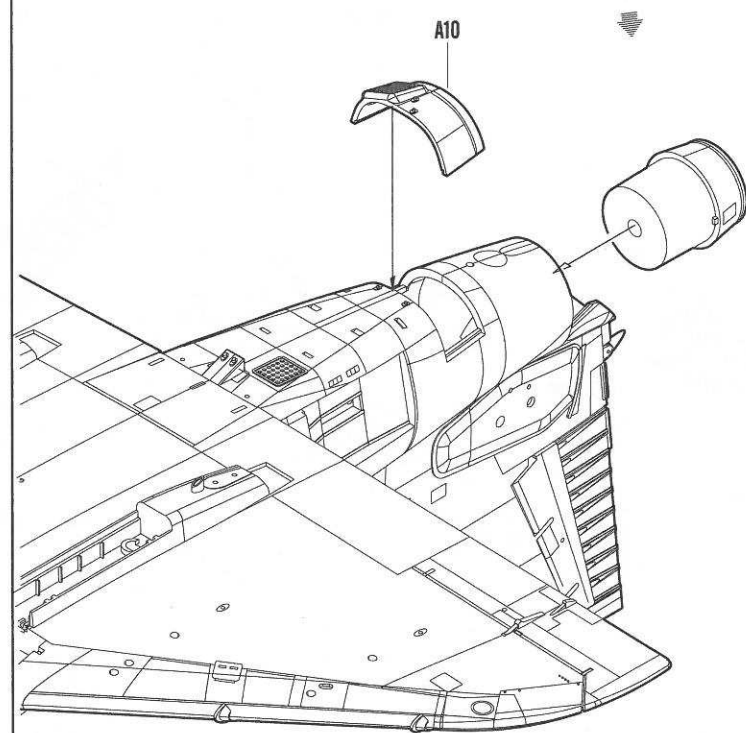
  
切除  
Cut/Remove



81765

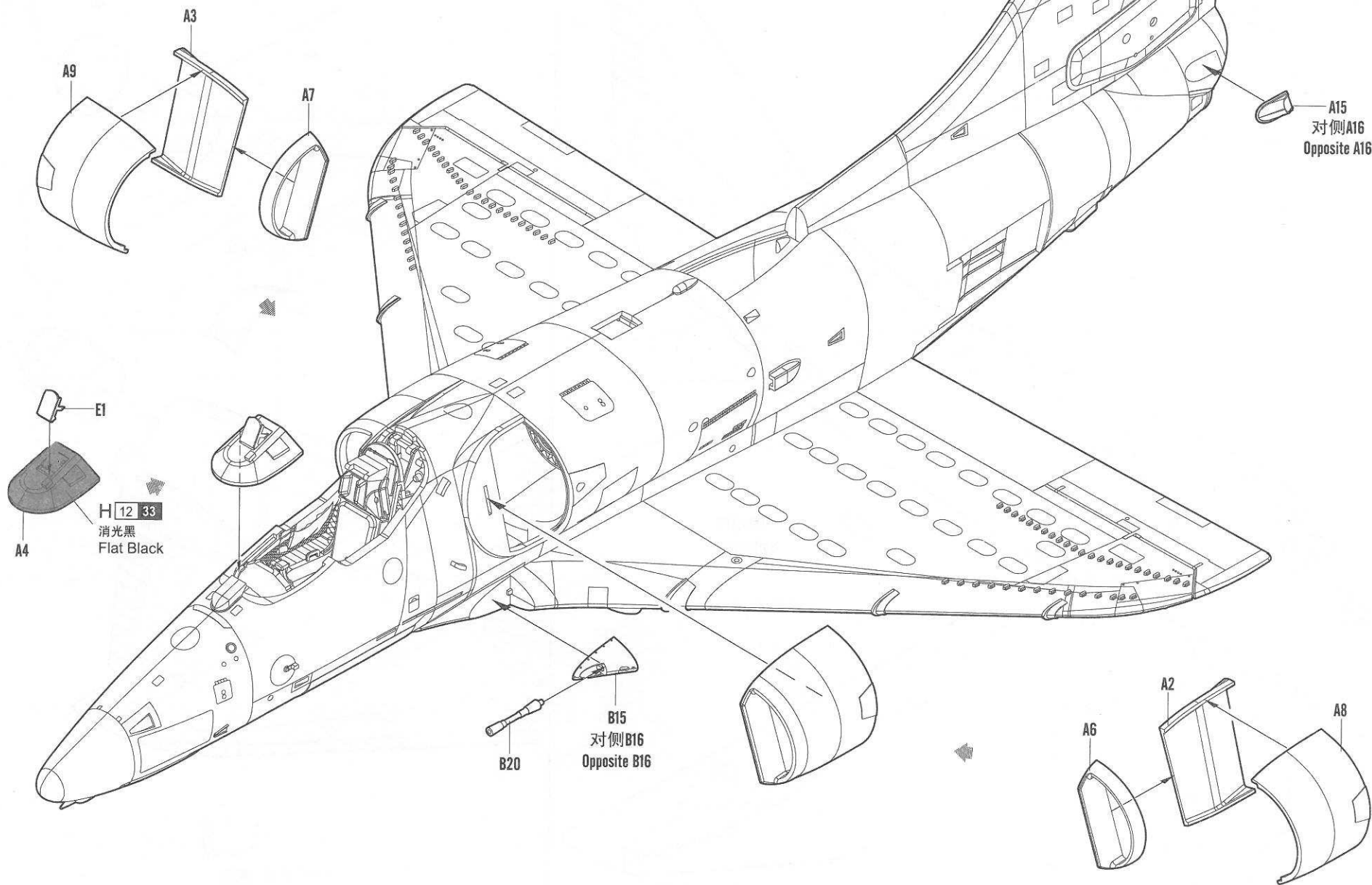


A10

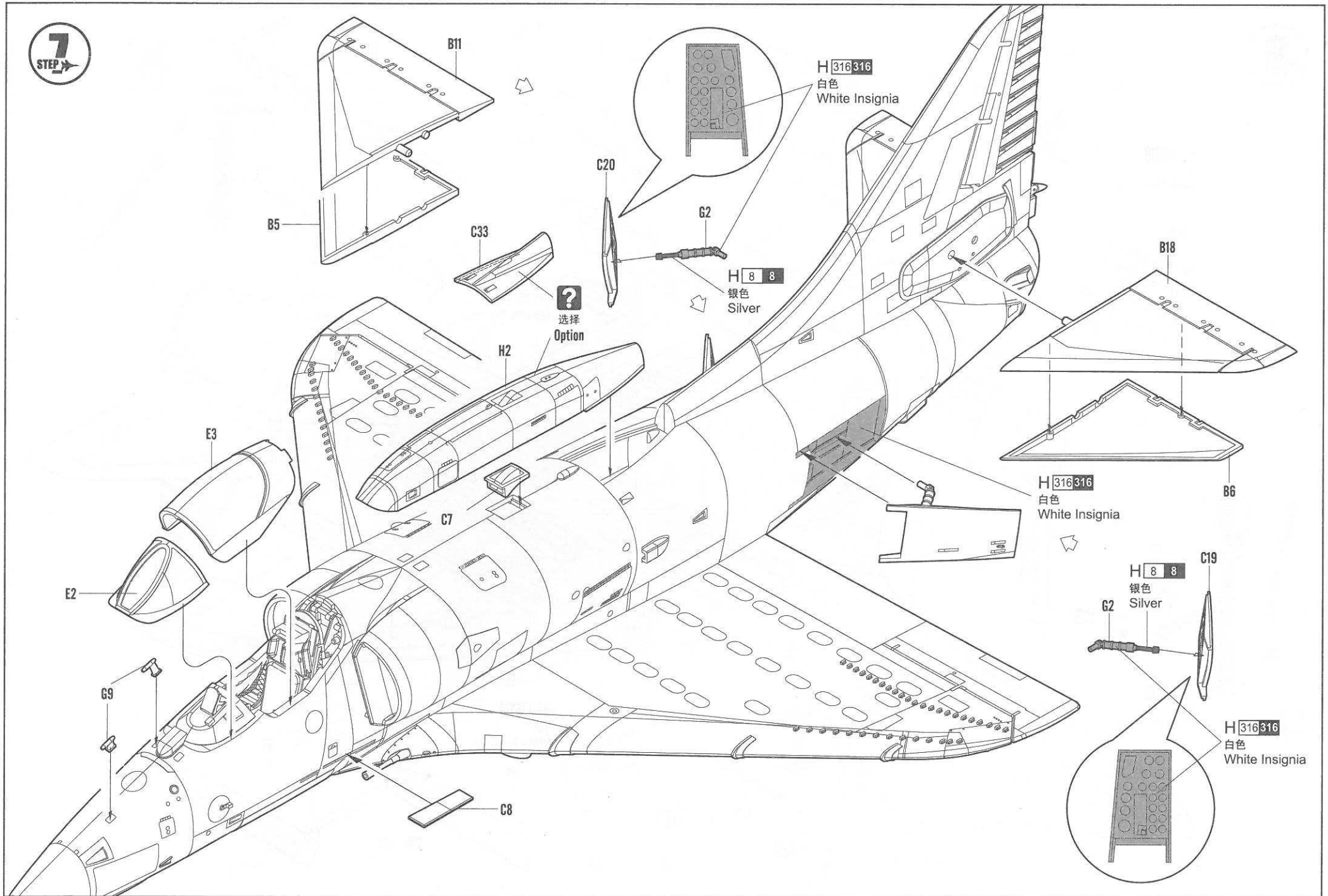


5

**6**  
STEP ▶



**7**  
STEP

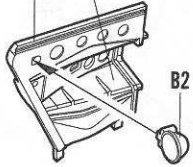




H 316 316

白色  
White Insignia

B10



B2

C12

C9

H 8 8

银色  
Silver

H 316 316

白色  
White Insignia

Decal  
贴纸 (51)

H 18 28

黑铁色  
Steel

B19

H 316 316

白色  
White Insignia

B3

B9

G7

G8

C16

G7

G8

C15

G8

G7

C17

G7

C6 (G12)

G8

C5

B13  
对侧 B12  
Opposite B12



STEP 9

G3 + G10

H 316316  
白色  
White Insignia

对侧 B4  
Opposite B4

B8

B21

C1

C3

(52)  
Decal  
贴纸

C32 (E4)

C18

B7

C24

C11

H 316316

白色  
White Insignia

G3 + G10

C4

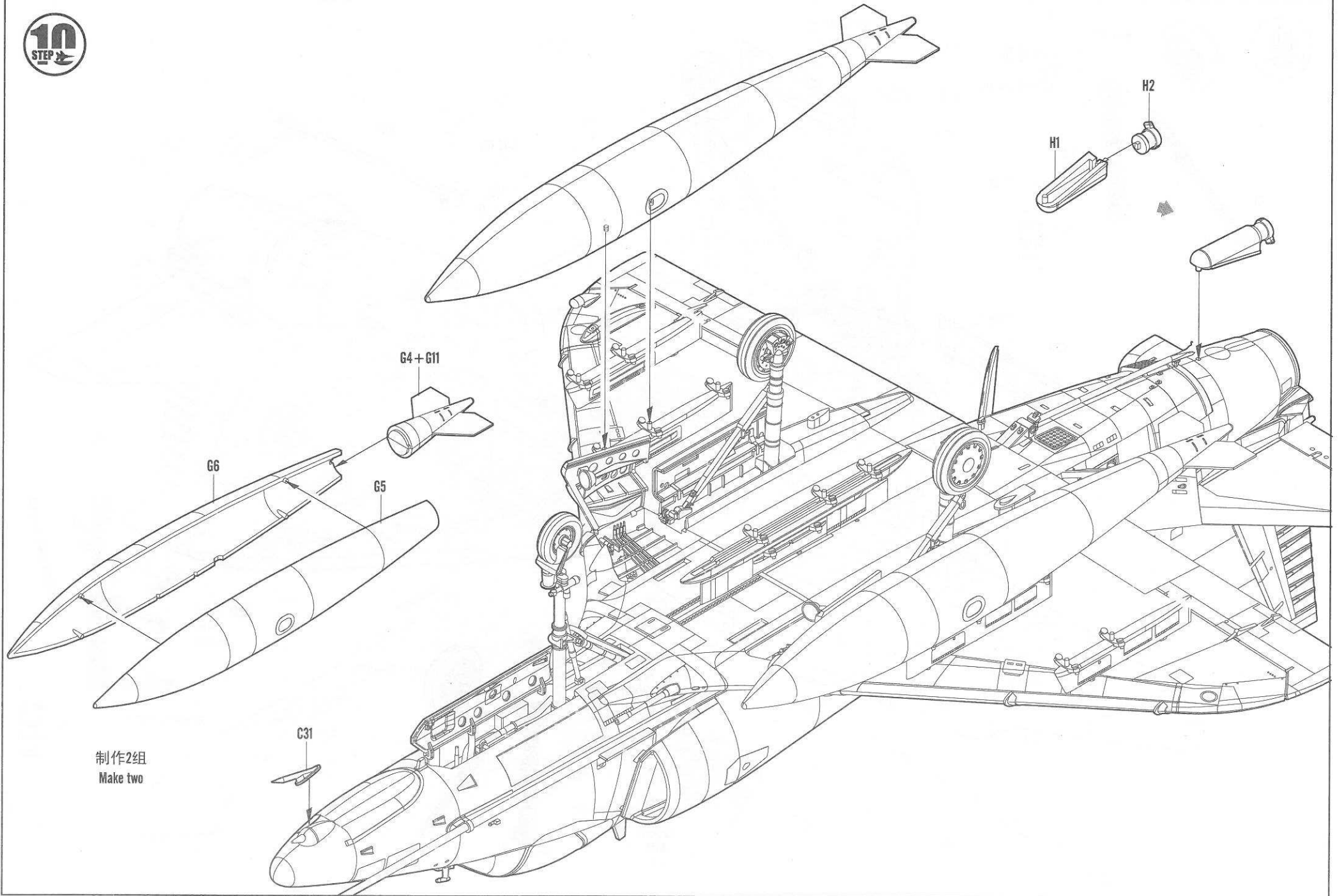
(52)  
Decal  
贴纸

(52)

C2

A12

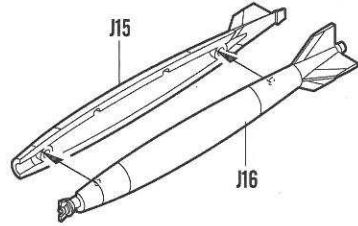
10  
STEP



制作2组  
Make two

**11**  
STEP

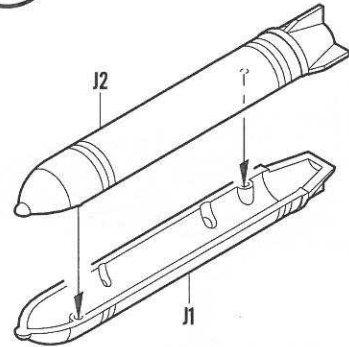
《 MK.82 》



制作12组  
Make twelve

**12**  
STEP

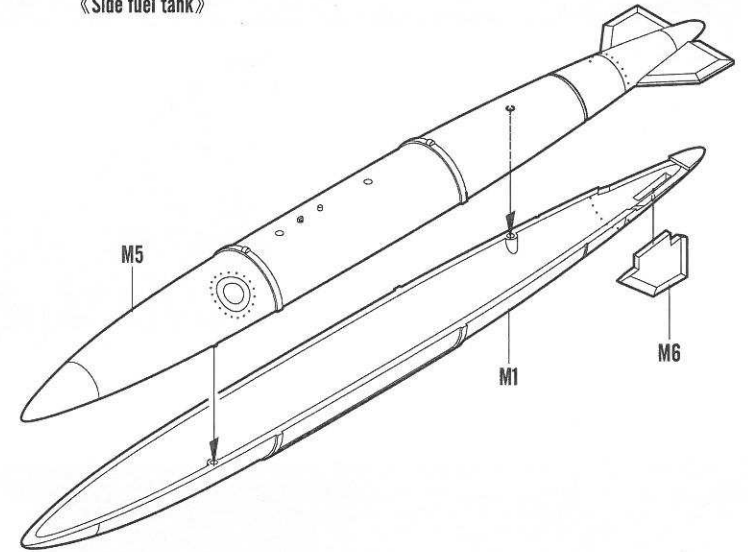
《 MK.20 》



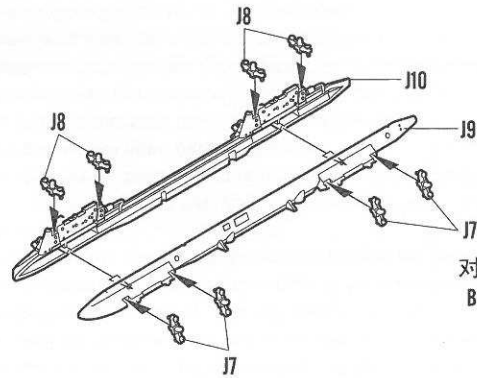
制作2组  
Make two

**13**  
STEP

《 Side fuel tank 》



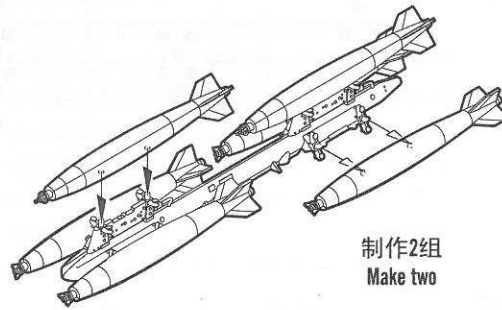
**14**  
STEP



对侧相同  
Both sides

对侧相同  
Both sides

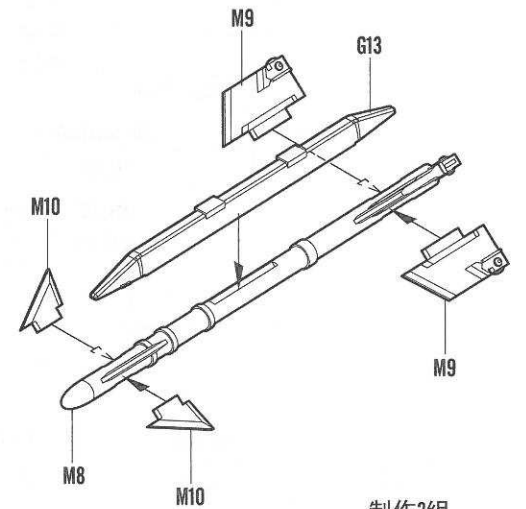
制作2组  
Make two



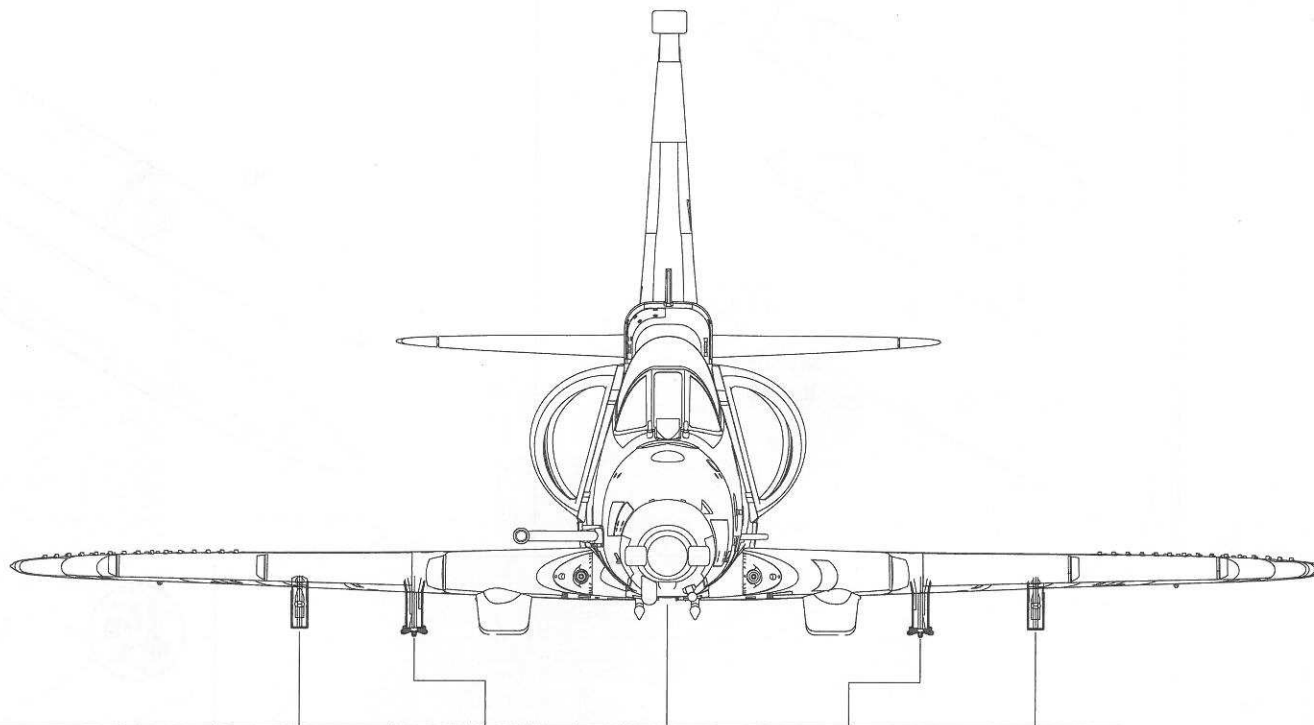
制作2组  
Make two

**15**  
STEP

《 AIM-9B 》

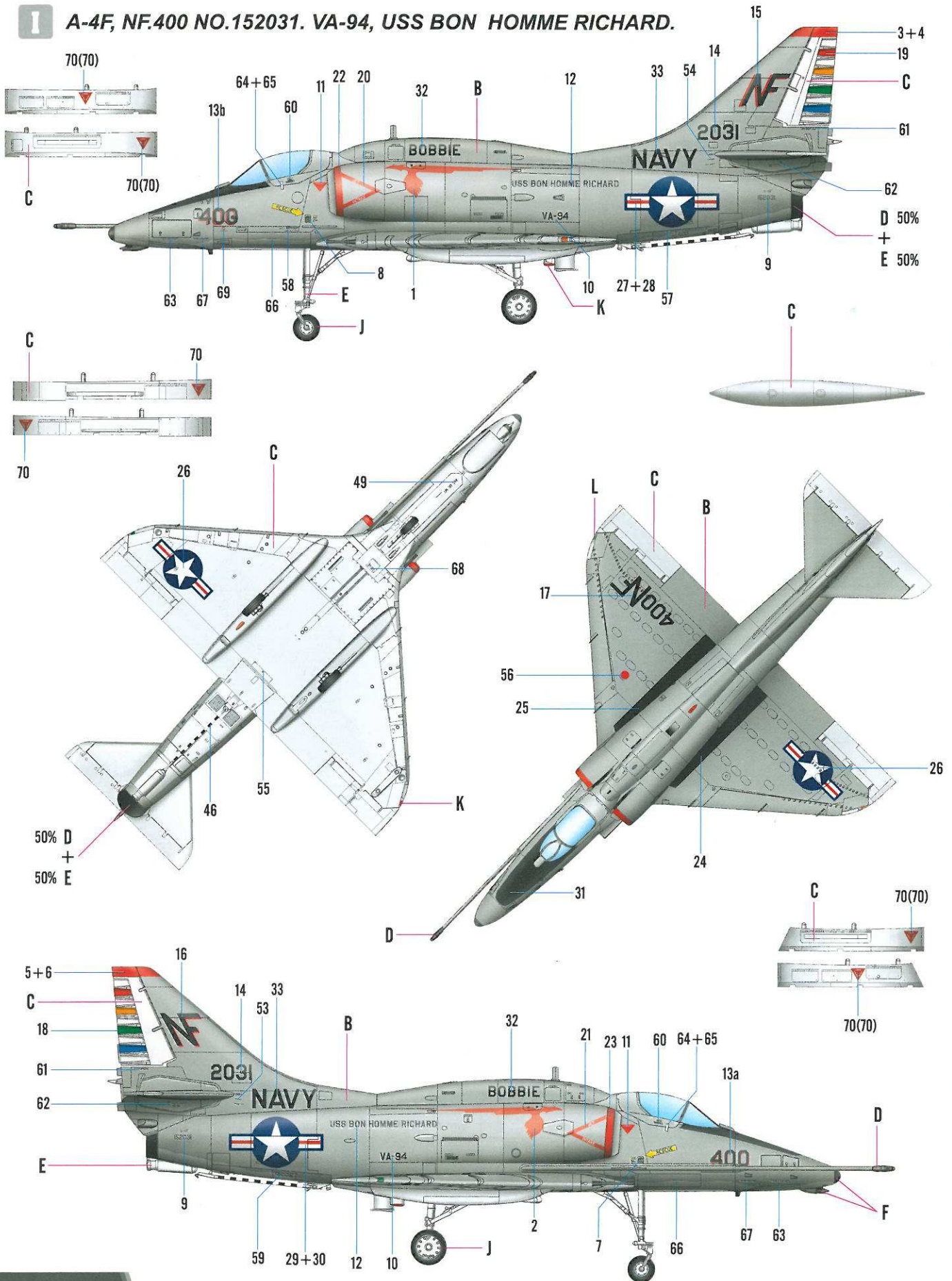


制作2组  
Make two



Weapon/Tank \ Sta.No.	1	2	3	4	5
Side fuel tank	●	●		●	●
MK.82	●●●	●●●	●●●	●●●	●●●
MK.20	●●●	●●●	●●●	●●●	●●●
AIM-9B	●	●		●	●

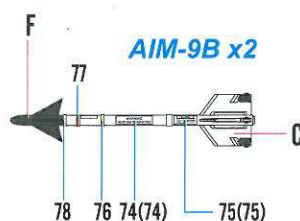
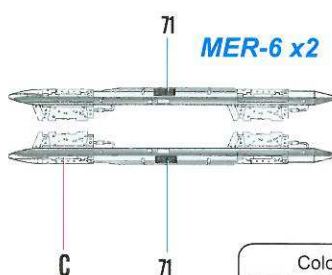
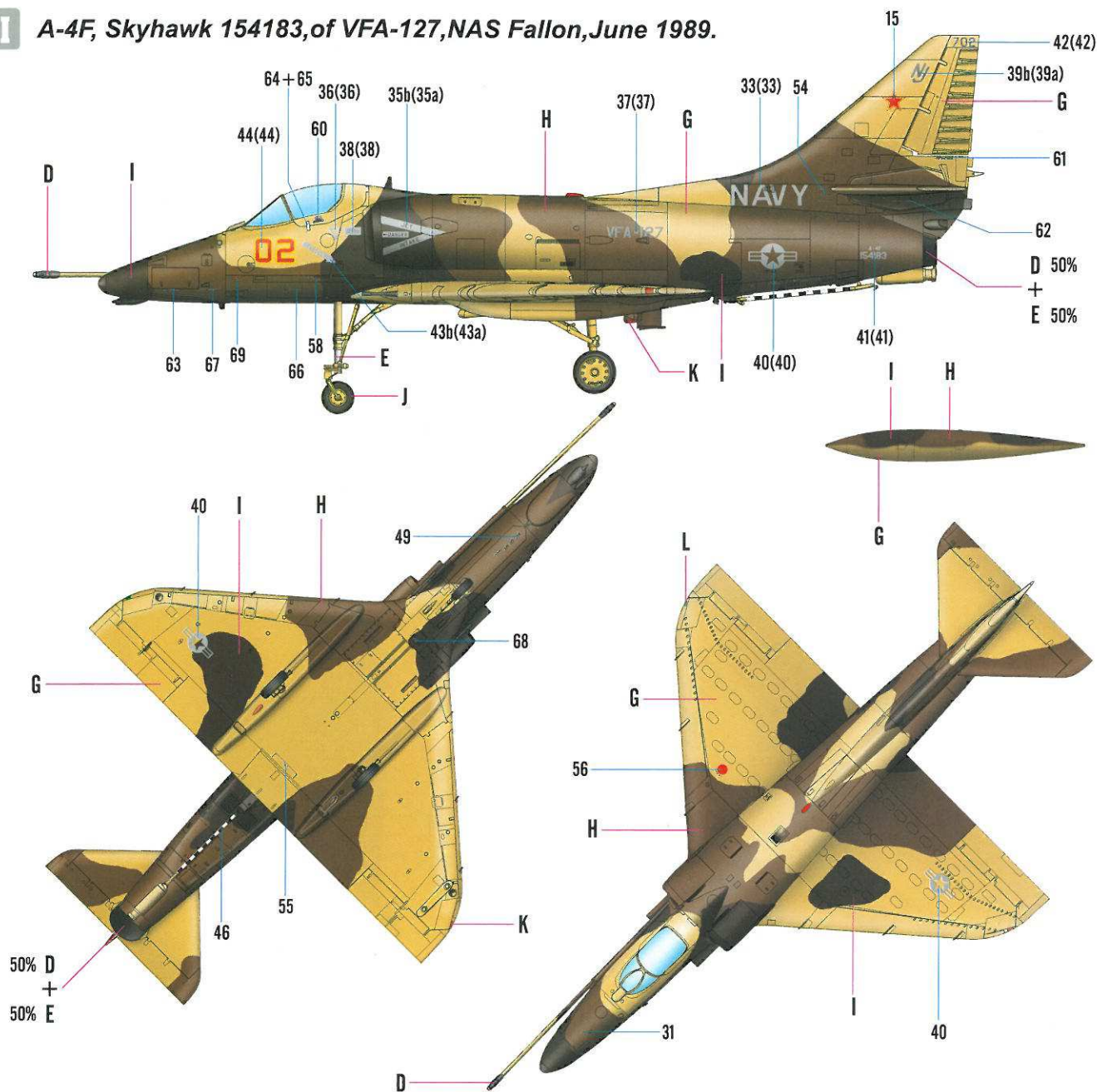
I A-4F, NF.400 NO.152031. VA-94, USS BON HOMME RICHARD.



NO.:81765

※ Some paints may not be available in your country. Please check your local hobby shop for substitute

II A-4F, Skyhawk 154183, of VFA-127, NAS Fallon, June 1989.

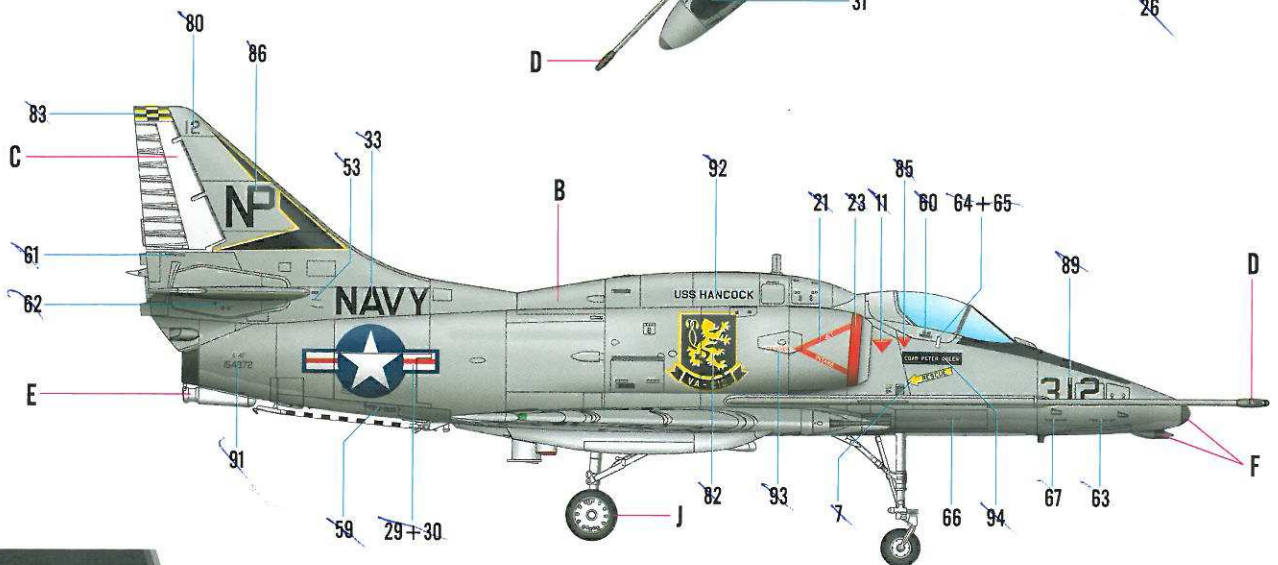
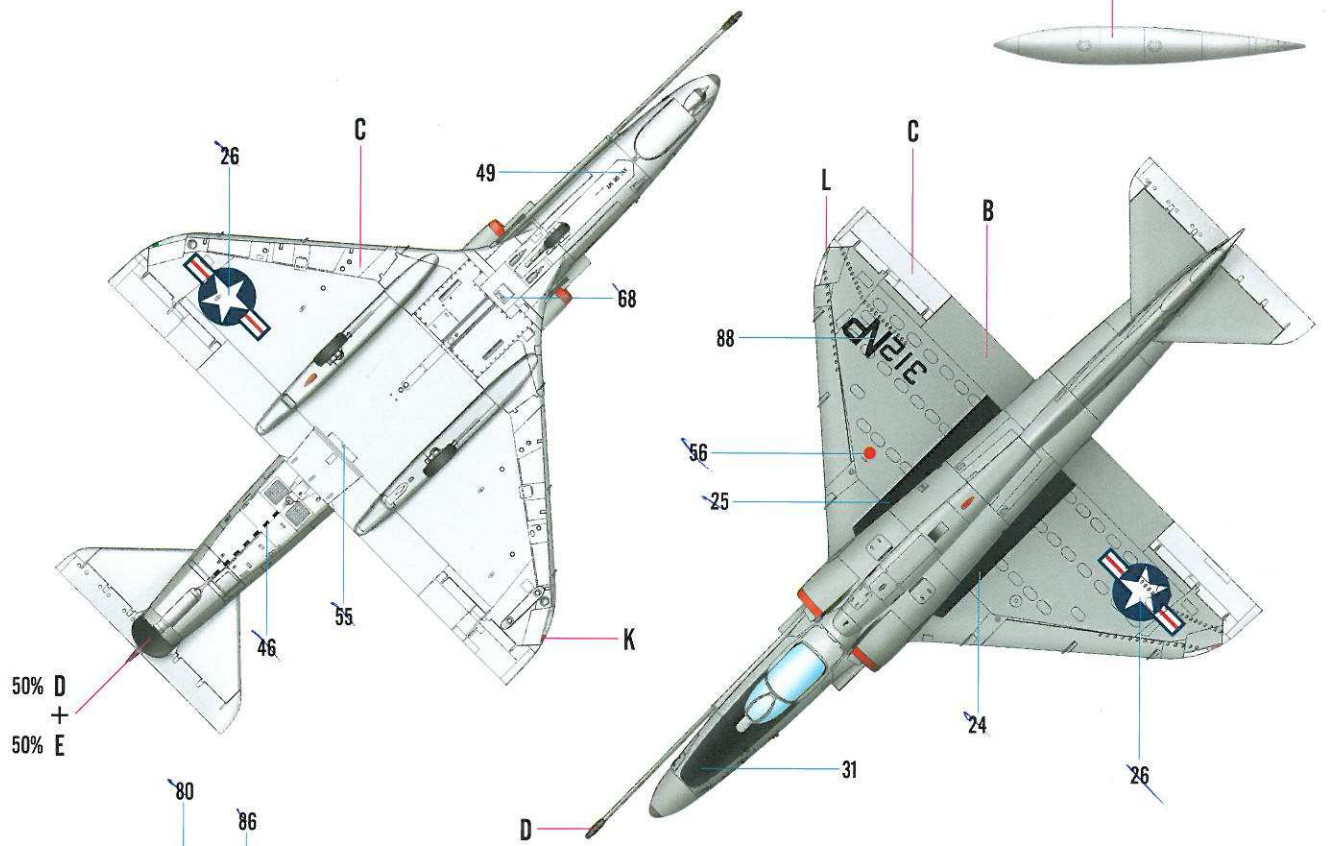
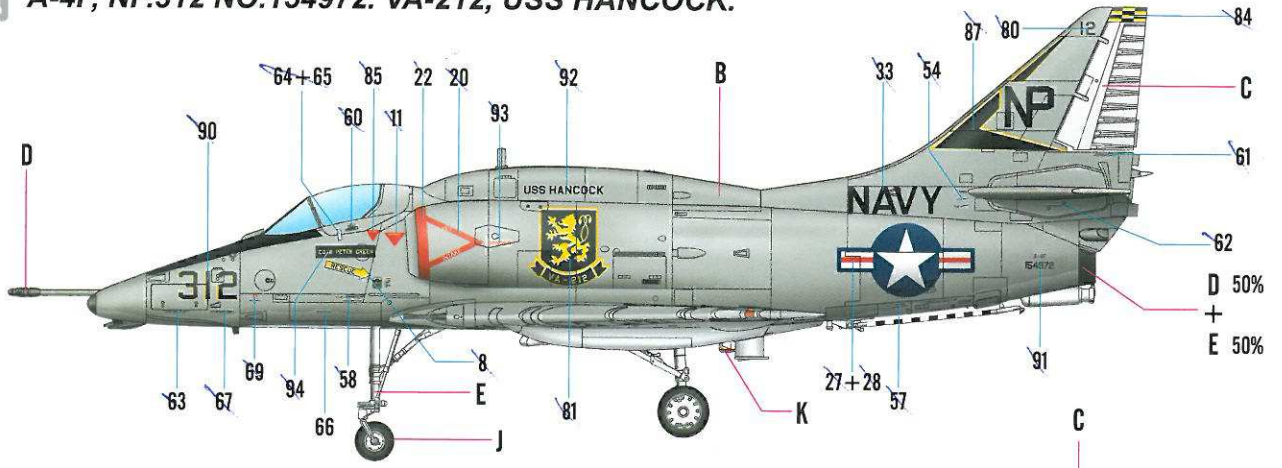


Color	Mr.Hobby	Vallejo	Model Master	Tamiya	Humbrol	Color	Mr.Hobby	Vallejo	Model Master	Tamiya	Humbrol
<b>A</b> 浅青色 Bright Blue	H[12 65]	930	1510	X4	14	<b>H</b> 棕色 Brown	H[310 310]	874	1742	--	118
<b>B</b> 灰色 Light Grey	H[315 315]	843	1730	--	129	<b>I</b> 红棕色 Red Brown	H[47 41]	984	--	XF64	160
<b>C</b> 白色 White Insignia	H[316 316]	991	1745	X2	22	<b>J</b> 胎黑色 Tire Black	H[77 137]	--	--	--	--
<b>D</b> 黑铁色 Steel	H[18 28]	864	1402	--	--	<b>K</b> 透明红 Clear Red	H[90 47]	934	--	X27	--
<b>E</b> 银色 Silver	H[9 8]	997	1546	X11	11	<b>L</b> 透明蓝 Clear Blue	H[93 50]	938	--	X23	--
<b>F</b> 消光黑 Flat Black	H[12 33]	950	1749	XF1	33	<b>M</b> 红色 Red	H[3 3]	908	1503	X7	19
<b>G</b> 黄色 Yellow	H[313 313]	819	1706	--	121	<b>N</b> 橄榄色 Olive Drab(2)	H[78 38]	--	--	--	--

NO.81765

\*Some paints may not be available in your country. Please check your local hobby shop for substitute

III A-4F, NP.312 NO.154972. VA-212, USS HANCOCK.



NO.:81765