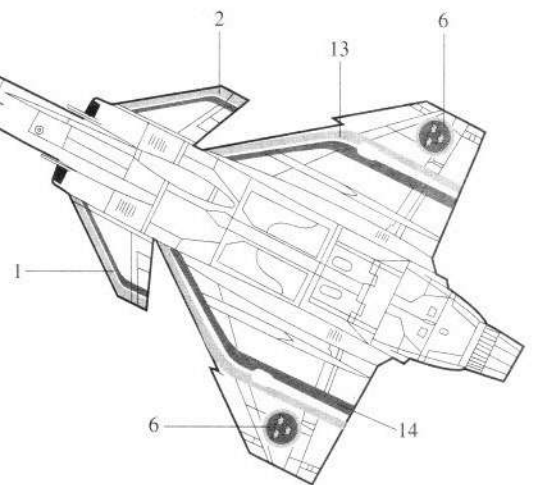
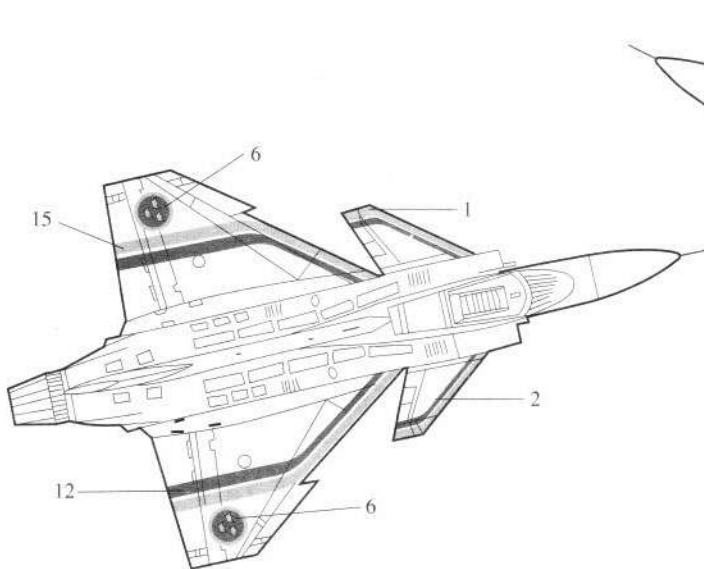
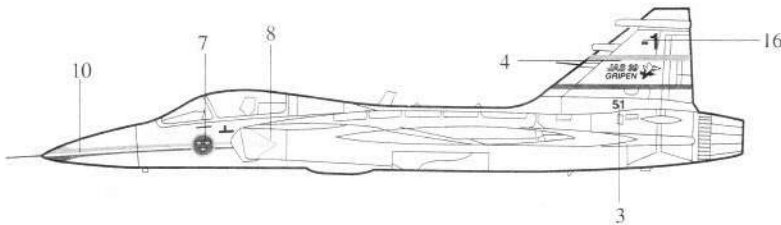
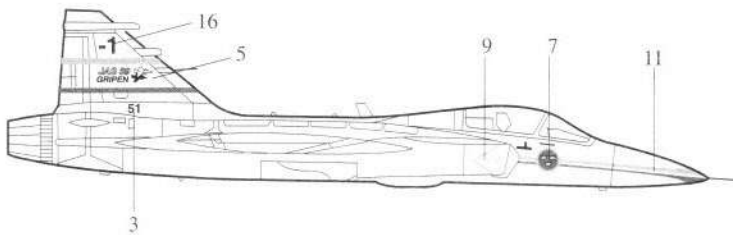


1/144 SCALE AIRCRAFT SERIES

SAAB JAS-39 GRIPEN

瑞典JAS-39鹰狮

贴纸 (Decal)

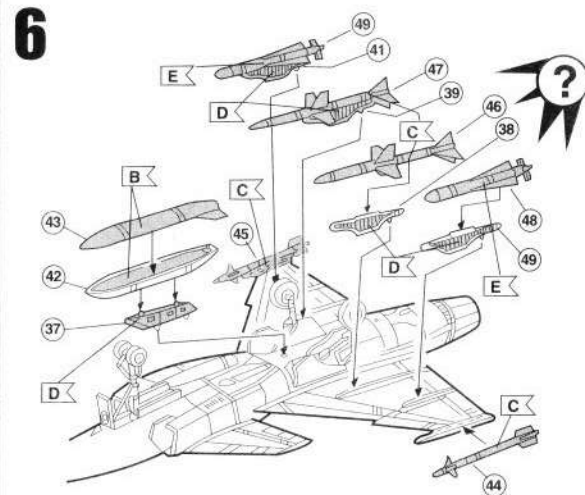
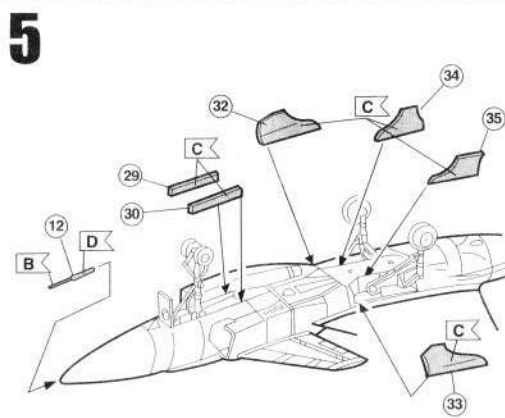
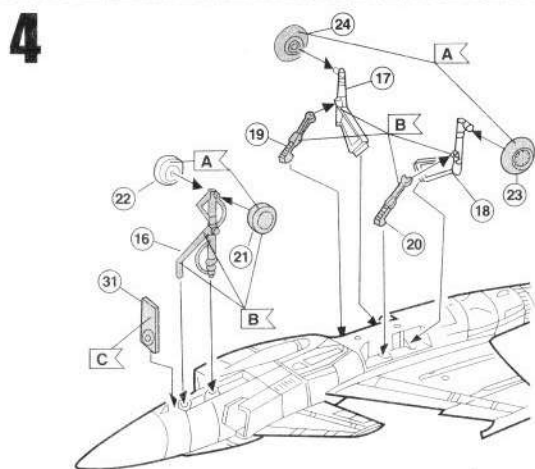
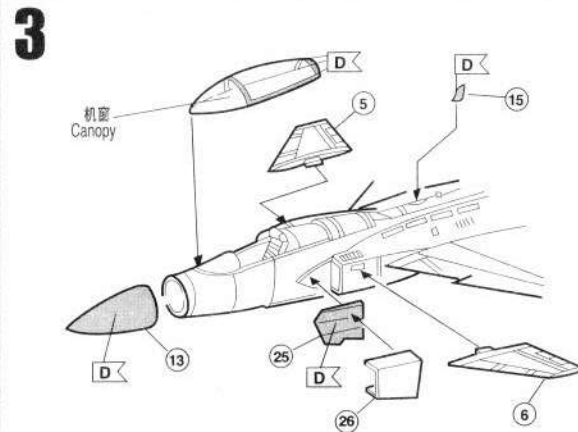
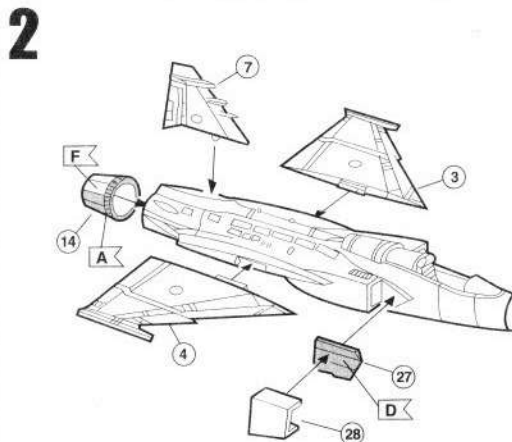
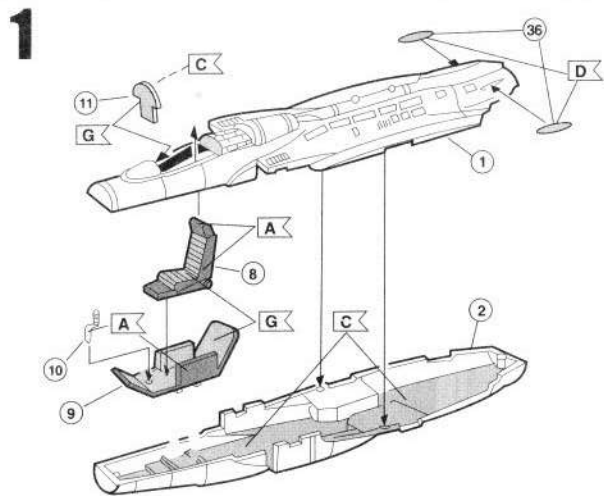


1. 在开始组装你的模型前，请认真阅读此说明书。
2. 依据安装说明，用钳子或小刀小心地切割下所需部分。

Read this instruction sheet carefully before you start to assemble your model.

Cut the parts carefully in accordance with the assembling order by use of a nipper or a knife.

D 40%灰+60%浅白
40% Grey+60% Matt White



颜色指示 COLORS

A	无烟煤色	Anthracite
B	铝色	Aluminium
C	浅白色	Matt White
D	40% 灰+60% 浅白	40% Grey+60% Matt White
E	浅绿色	Matt Green
F	铬银色	Silver
G	灰色	Grey

水贴纸的使用:

1. 从水贴纸上剪下印花;
2. 将印花放入温水中浸10秒, 然后放在干净布上。
3. 拿着印花纸板将印花移到模型上;
4. 手指蘸水将印花移到适当的位置;
5. 用软布轻压印花直至水干, 气泡消失。

DECAL APPLICATION

1. Cut off decal from sheet.
2. Dip the decal in tepid water for about 10 sec. and place on a clean cloth.
3. Hold the backing sheet edge and slide decal onto the model.
4. Move decal into position by wetting decal with finger.
5. Press decal gently down with a soft cloth until excess water and air bubbles are gone.