

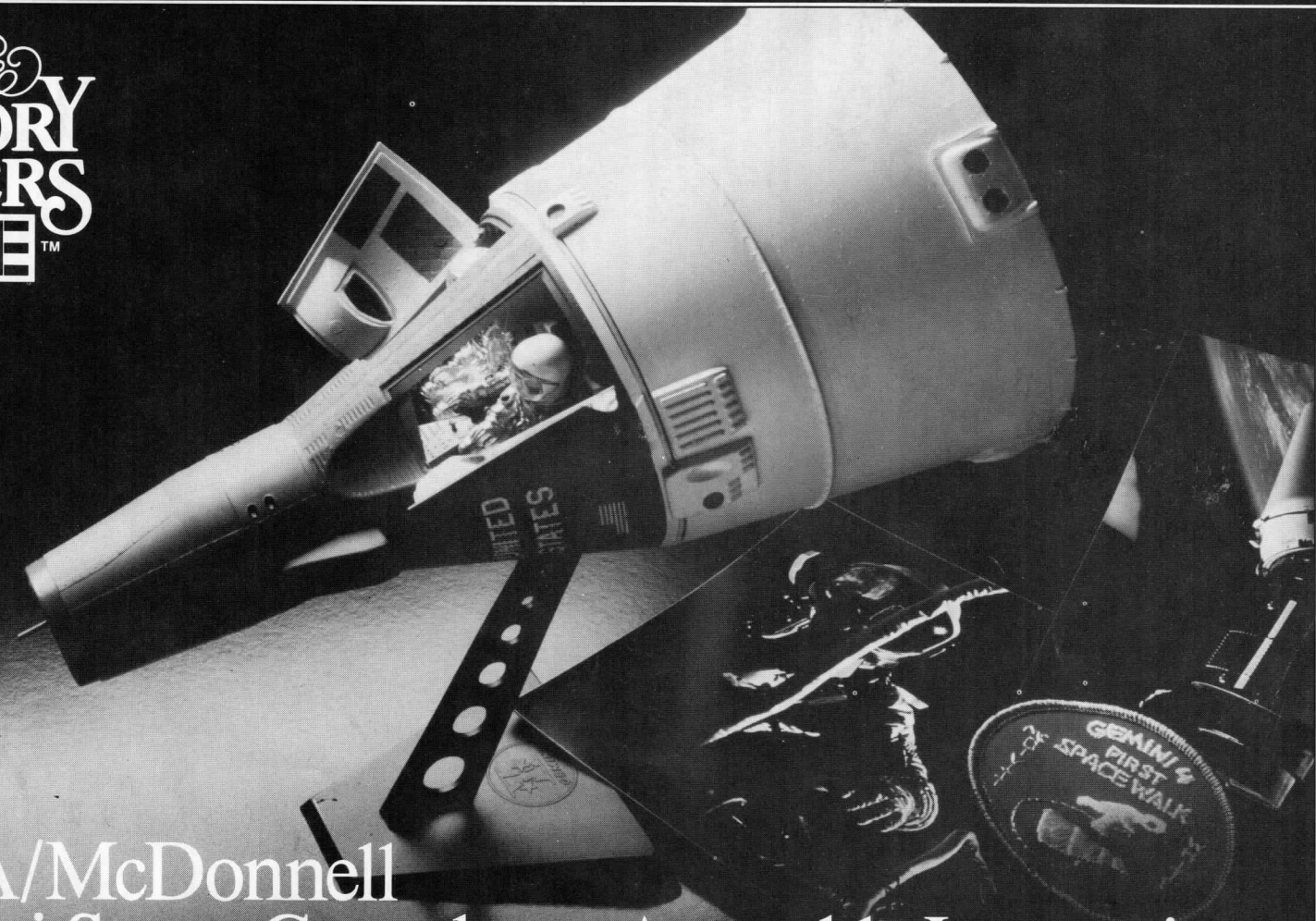
LIMITED PRODUCTION SERIES

LIMITED PRODUCTION SERIES

LIMITED PRODUCTION SERIES

LIMITED PRODUCTION SERIES

*The*  
**HISTORY  
MAKERS**  
Revell™



LIMITED PRODUCTION SERIES

LIMITED PRODUCTION SERIES

NASA/McDonnell  
Gemini Space Capsule

Assembly Instructions

LIMITED PRODUCTION SERIES

LIMITED PRODUCTION SERIES

LIMITED PRODUCTION SERIES

The National Aeronautics and Space Administration announced December 7, 1961, a plan to extend the manned spaceflight effort by development of a two-man spacecraft. On January 3, 1962, the program was officially designated "Gemini" and named after the third constellation of the zodiac, featuring the twin stars Castor and Pollux.

The complete Gemini spacecraft contains two major units; an adapter module, consisting of a retrograde section and an equipment section; and the reentry module, consisting of the rendezvous and recovery section, the reentry control section, and the cabin section. The heat shield is attached to the cabin section. A nose fairing, attached to the forward end of the rendezvous and recovery section, is ejected during the launch phase of the mission.

The reentry module was 11 feet high and 7½ feet in diameter at the base. The combined weight of the

Gemini spacecraft and its adapter module, which was about 19 feet high, was approximately 7,000 pounds.

The Gemini Launch Vehicle (GLV) was the Air Force Titan II, modified to fit the needs of the Gemini program. The Gemini flight program was started on April 8, 1964, with the successful launching of GT-1 (Gemini-Titan I) from Cape Kennedy, Florida, following a flawless five-hour countdown.

The Gemini flights provided valuable data and necessary technical capabilities that later were utilized on the Apollo Program. Major achievements were to prove rendezvous and docking techniques in space, and experiment with astronauts leaving the Gemini spacecraft while in orbit to perform extravehicular tasks.

The Gemini program in the final analysis became a crucial step in man's challenge to reach the moon.

**ENGLISH: ASSEMBLY DRAWINGS SHOULD BE REVIEWED BEFORE PROCEEDING WITH CONSTRUCTION.** A NUMBER IDENTIFIES EACH PLASTIC PART FOR YOUR CONVENIENCE. PAINT SMALL PARTS ON RUNNER BEFORE REMOVING. ALLOW PAINT TO DRY THOROUGHLY BEFORE CONTINUING ASSEMBLY OF KIT. SCRAPE CHROME OR PAINT AT AREA TO BE GLUED. WASH PLASTIC IN MILD DETERGENT SOLUTION. RINSE AND LET AIR DRY FOR BETTER PAINT AND DECAL ADHESION.

**DEUTSCH: VOR DEM ZUSAMMENBAU DIE BAUANLEITUNG GUT DURCHLESEN.** JEDES TEIL IST NUMMERIERT KLEINE TEILE ANSTREICHEN BEVOR SIE VOM RAHMEN ENTFERNT WERDEN. FARBEN GUT TROCKNEN. ERST DANN MIT DER ZUSAMMENSTELLUNG FORTSETZEN. CHROM UND FARBE AN DEN KLEBEFLÄCHEN ENTFERNEN. PLASTIKTEILE IN EINER MILDEN WASCHMITTELÖSUNG REINIGEN UND AN DER LUFT TROCKNEN. DAMIT FARBE UND ABZIEHBILDER BESSER HAFTEN.

**FRAÇAIS: EXAMINER LES SCHEMAS D'ASSEMBLAGE AVANT DE COMMENCER LA CONSTRUCTION.** UN NUMERO IDENTIFIE CHAQUE PIECE DE PLASTIQUE POUR PLUS DE FACILITE. PEINDRE LES PETITES PIECES SUR LE SUPPORT AVANT DE LES ENLEVER. LAISSER LA PEINTURE SECHER COMPLETEMENT AVANT DE CONTINUER L'ASSEMBLAGE DU KIT. GRATTER LE CHROME OU LA PEINTURE SUR LES SURFACE A COLLER. L'AVER LE PLASTIQUE DANS UNE SOLUTION DE DETERGENT LEGERE, RINCER ET LAISSER SECHER A L'AIR POUR UNE MEILLEURE ADHERENCE DE LA PEINTURE ET DES DECALS.

**NEDERLANDS: BESTUDEER DE MONTAGE TEKENINGEN, VOORDAT U MET BOUWEN BEGINT.** VOOR UW GEMAK, IDENTIFICEERT EEN NUMMER ELK PLASTIC DEEL. VERF KLEINE DEELTJES OP KIBOOM VOORDAT U ZE VERWYDERD. LAAT VERF GRONDIG DROGEN VOORDAT U DE MONTAGE VAN HET MODEL VOORTZET. SCHRAP CHROOM OF VERF VAN HET GEDEELTE DAT GELYMD WORDT. WAS PLASTIC MET EEN ZACHT ZEEP, SPOEL AF, EN LAAT IN LUCHT DROGEN, ZODAT VERF EN DECAL BETER PLAKKEN.

**SVENSKA: HOPSATTNINGSSKISSEN BOR GRANSKAS INNAN IGANGSATTANDE AV BYGGANDET.** ETT NUMMER IDENTIFIKERAS VARJE PLASTDEL FOR DIN EGEN BEKVÄMLIGH ET. MALA DE SMA BITARNA DIREKT PÅ FARAN INNAN DE TAS BORT. LAT FARGEN TORKA GRUNDLIGT INNAN FORTSATT BYGGANDE. SKRAPA AV KROMEN ELLER MALA PÅ DELARNA SOM SKALL KLISTRAS. TVATTA PLASTEN I MILD TVATTMEDELÖSNING, SKOJ OCH LUFTTORKA FOR BAITRE FASTANDE AV FARG OCH DEKALER.

**ESPAÑOL: DIBUJOS DE ENSAMBLAJE DEBEN SER REPASADOS ANTES DE SEGUIR CON LA CONSTRUCCION.** UN NUMERO IDENTIFICA CADA PARTE DEL PLASTICO PARA SU CONVENIENCIA. PINTE PARTES PEQUENAS DEL KIT ANTES DE QUITARLAS. DEJE SECAR BIEN LA PINTURA ANTES DE SEGUIR EL ENSAMBLAJE. RASPE EL CROMO O LA PINTURA DEL SITIO ANTES DE SER PEGADO. LAVE EL PLASTICO EN UNA SOLUCION SUAVE DETERGENTE, ENJUAGUE, Y DEJE SECAR EN EL AIRE PARA MEJOR ADHESION DE LA PINTURA Y CALCOMANIA.

**ITALIANO: I DISEGNI DELL'ASSEMBLAGGIO DOVREBBERO ESSERE RICONTRROLLATI PRIMA DI INIZIARE IL MONTAGGIO.** OGNI PEZZO E IDENTIFICATO DA UN NUMERO PER VOSTRA MAGGIORE COMODITA. VERNICIARE LE PARTI PICCOLE SULLA GUIDA DI SCORRIMENTO PRIMA DI TOGLIERLE. LASCIAR ASCUIGARE LA VERNICE PRIMA DI CONTINUARE IL MONTAGGIO. RASCHIAR LA PITTURA O IL CROMO DALLE PARTI CHE DE VONO ESSERE INCOLLATE. LAVARE I PEZZI DI PLASTICA CON UN DETERGENTE NON TROPPO FORTE, SCIACQUARE E LASCIAR ASCUIGARE AFFINCHÉ VERNICE E DECALCOMANIE ADERISCANO MEGLIO.



GLUE  
KLEBER  
COLLE  
LIJM  
KLISTER  
PEGA  
COLLA



NO GLUE REQUIRED  
KEIN KLEBER NOTWENDIG  
LA COLLE N'EST PAS NECESSAIRE  
GEEN LIJM NODIG  
INGET KLISTER BEHOVS  
NO NECESITA PEGA  
NON C'E BISOGNO DI COLLA



DO IT THIS MANY TIMES  
ANZAHL DER ARBEITSGAENGE  
LE FAIRE CE NOMBRE DE FOIS  
DOE HET ZOVEEL KEER  
GJOR DET SA MANGA GANGER  
FATELO TUTTE QUESTA VOLTE  
HAGALO ESTA CANTIDAD DE VECES



OPTIONAL  
WAHLWEISE  
FACULTATIF  
NAAR KEUZE  
VALFRI  
FACOLTATIVO  
OPCIONAL



APPLY DECALS  
ABZIEHBILDER ANBRINGEN  
COLLER LES DECALOMANIES  
BRENG PLAKPLAATJES AAN  
SATT PA DEKALERNA  
APPLICARE LE DECALOMANIE (ADESIVI)  
APLICAR CALCAS

SHOWN ASSEMBLED  
ABBILDUNG DES ZUSAMMEN GEBAUTEN MODELLS  
VU ASSEMBLE  
GEMONTEERD GETOOND  
VISAD IHOPSATTNING  
MOSTRADO ARMADO  
ILLUSTRAZIONE DEL PEZZO MONTATO

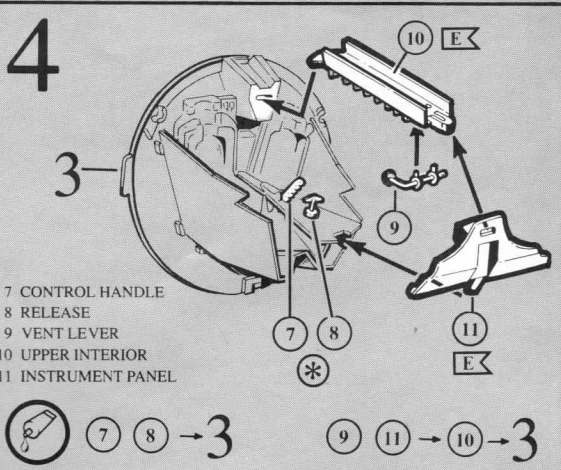
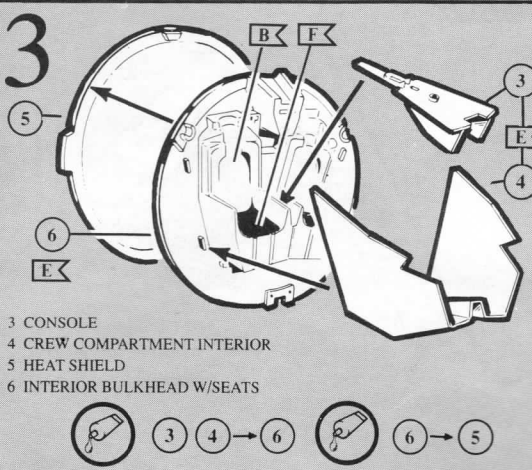
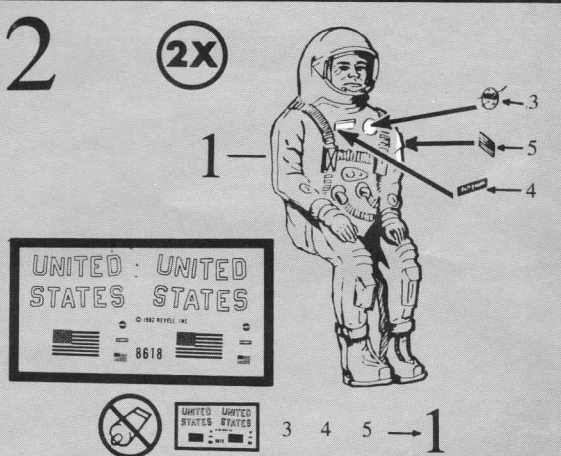
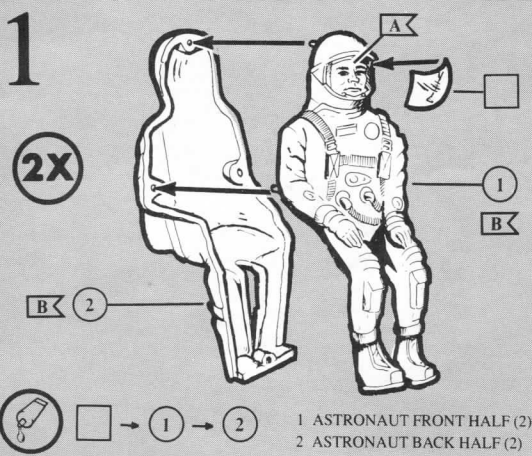
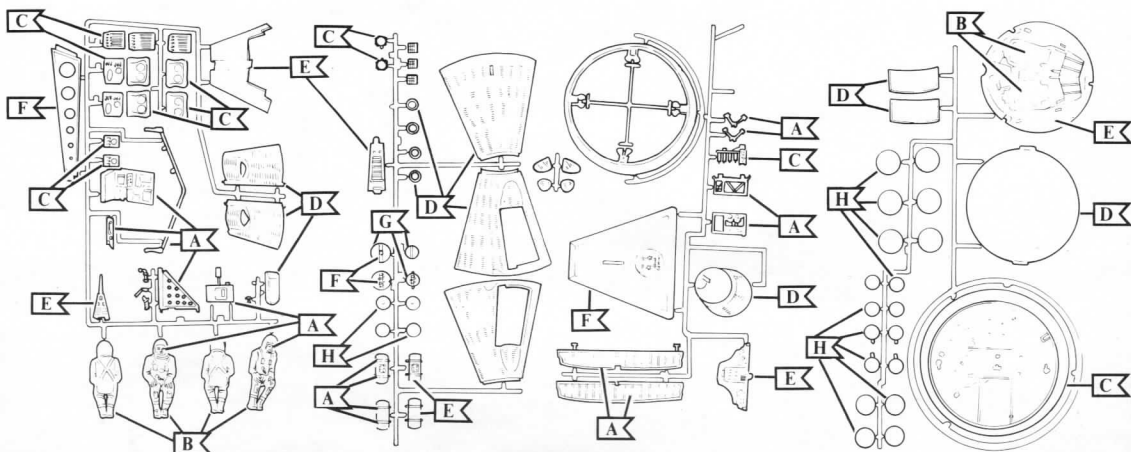


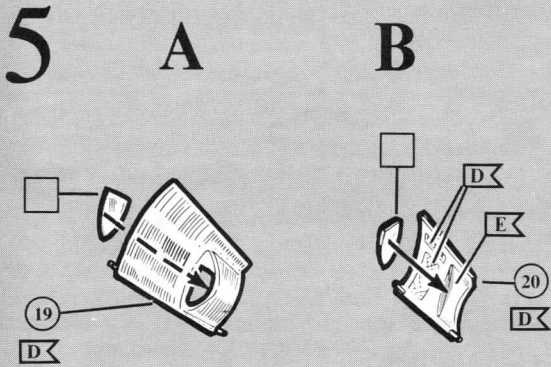
CLEAR  
KLAR  
TRANSPARENT  
DOORZICHTIG  
KLART  
VIA LEBERA  
TRANSPARENTE



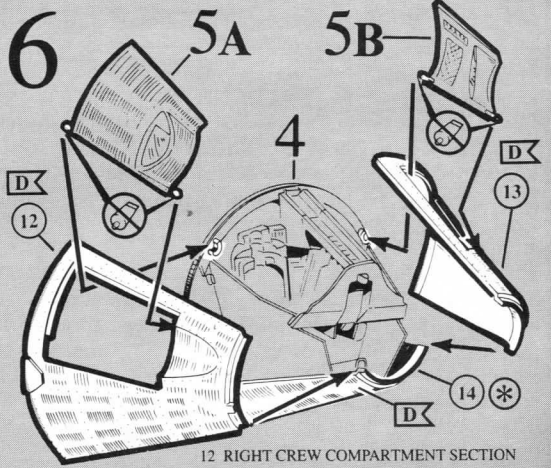
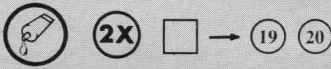
GRAY  
GRAU  
GRIS  
GRIJS  
GRA  
GRIS  
GRIGIO

<b>A</b>	MATT LIGHT TAN	MATT HELL BEIGE	BRUN CLAIR MAT	MAT LICHTE TAANKLEUR	MATT LJUSBEIGE	MORENO CLARO MATE	TERRA DI SIENA SMORTO
<b>B</b>	WHITE	WEISS	BLANC	WIT	VIT	BLANCO	BIANCO
<b>C</b>	MATT WHITE	MAT WEIS	BLANC MAT	MAT WIT	MATT VIT	BLANCO MATE	BIANCO SMORTO
<b>D</b>	MATT MEDIUM GREY	MATT MITTELGRAU	GRIS MOYEN MAT	MAT MIDDELGRIJS	MATT MELLANGRA	GRIS MEDIANO MATE	GRIGIO MEDIO SMORTO
<b>E</b>	MATT LIGHT GREY	MATT HELLGRAU	GRIS CLAIR MAT	MAT LICHTGRIJS	MATT LJUSGRA	GRIS PALIDO MATE	GRIGIO CHIARO SMORTO
<b>F</b>	MATT BLACK	MATT SCHWARZ	NOIR MAT	MAT ZWART	MATT SVART	NEGRO MATE	NERO SMORTO
<b>G</b>	GREEN	GRUEN	VERT	GROEN	GRON	VERDE	VERDE
<b>H</b>	RED	ROT	ROUGE	ROOD	ROD	ROJO	ROSSO

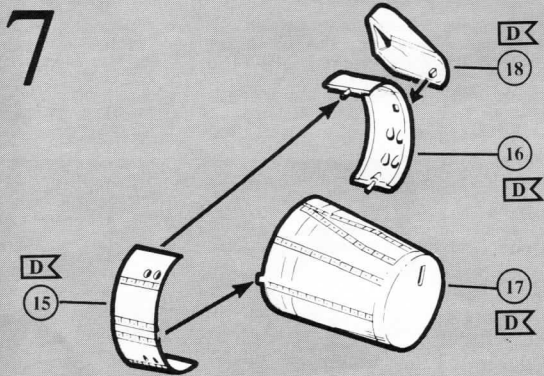
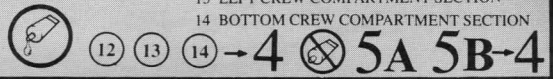




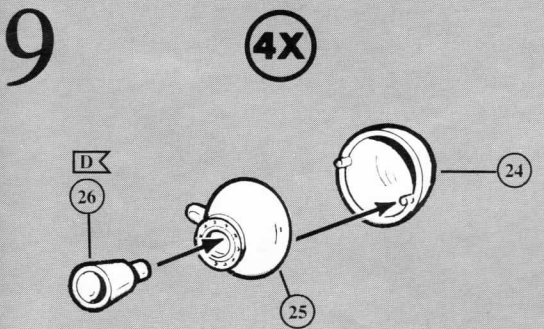
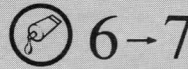
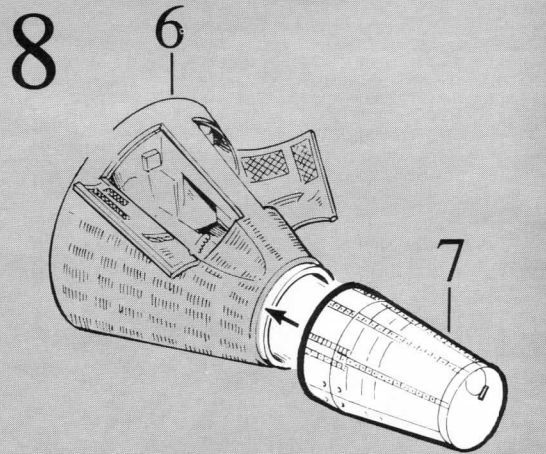
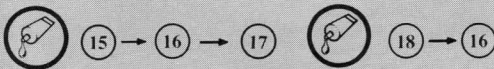
19 CAPSULE RIGHT DOOR  
20 CAPSULE LEFT DOOR



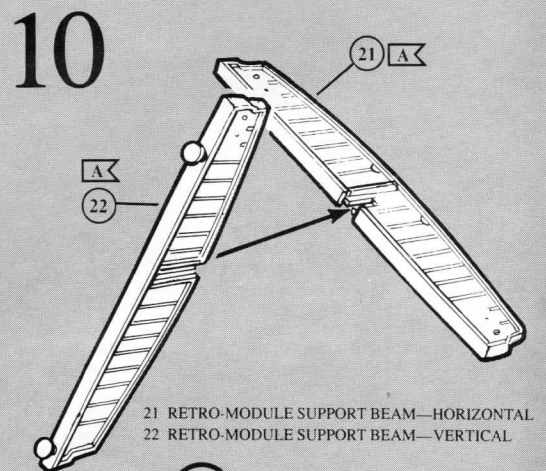
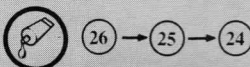
12 RIGHT CREW COMPARTMENT SECTION  
13 LEFT CREW COMPARTMENT SECTION  
14 BOTTOM CREW COMPARTMENT SECTION



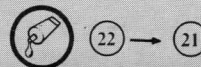
15 CAPSULE FORWARD SECTION RIGHT HALF  
16 CAPSULE FORWARD SECTION LEFT HALF  
17 NOSE SECTION  
18 ELECTRONICS ADAPTOR



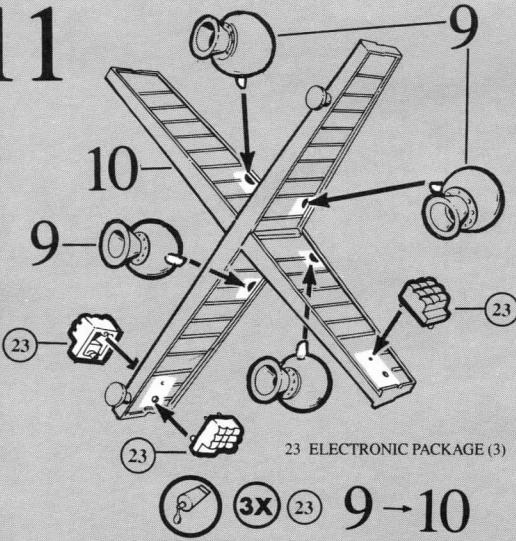
24 RETRO-ROCKET—BACK HALF (4)  
25 RETRO-ROCKET—FRONT HALF (4)  
26 RETRO-ROCKET NOZZLE (4)



21 RETRO-MODULE SUPPORT BEAM—HORIZONTAL  
22 RETRO-MODULE SUPPORT BEAM—VERTICAL



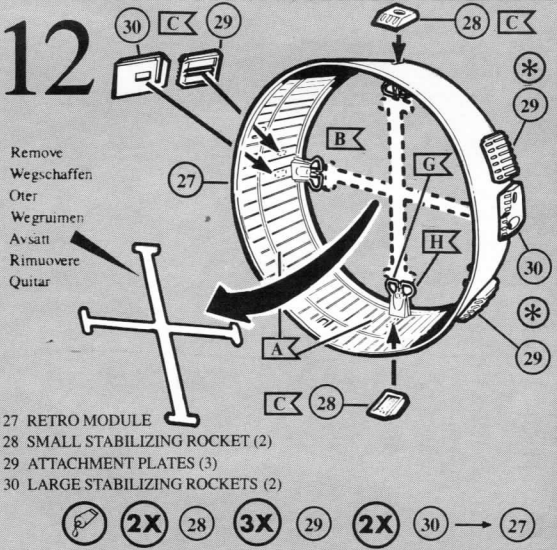
11



23 ELECTRONIC PACKAGE (3)

3X 23 9 → 10

12

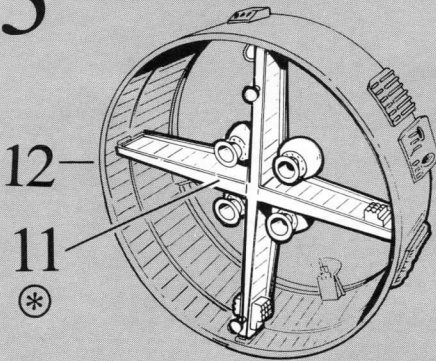


Remove  
Wegschaffen  
Oter  
Wegruimen  
Avsatt  
Rimuovere  
Quitar

27 RETRO MODULE  
28 SMALL STABILIZING ROCKET (2)  
29 ATTACHMENT PLATES (3)  
30 LARGE STABILIZING ROCKETS (2)

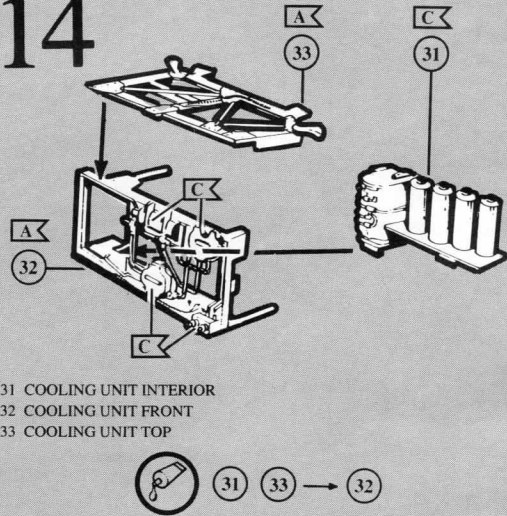
2X 28 3X 29 2X 30 → 27

13



11 → 12

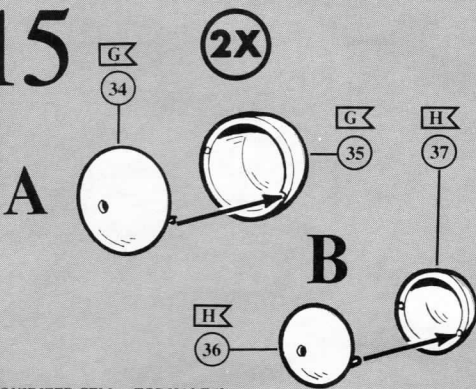
14



31 COOLING UNIT INTERIOR  
32 COOLING UNIT FRONT  
33 COOLING UNIT TOP

31 33 → 32

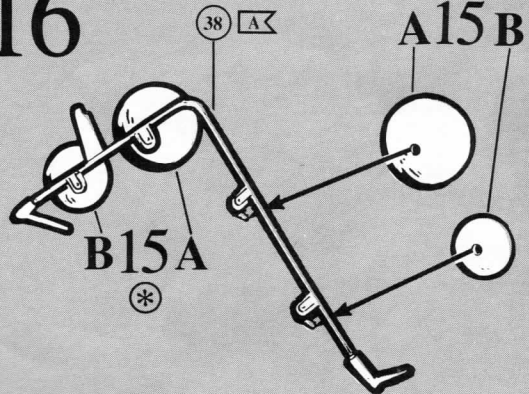
15



34 OXIDIZER CELL—TOP HALF (2)  
35 OXIDIZER CELL—BOTTOM HALF (2)  
36 FUEL CELL TOP (2)  
37 FUEL CELL BOTTOM (2)

2X 34 → 35 2X 36 → 37

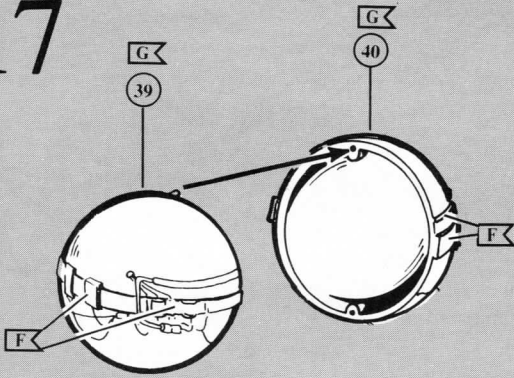
16



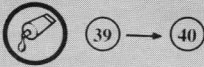
38 SUPPORT BRACKET

15A 15B → 38

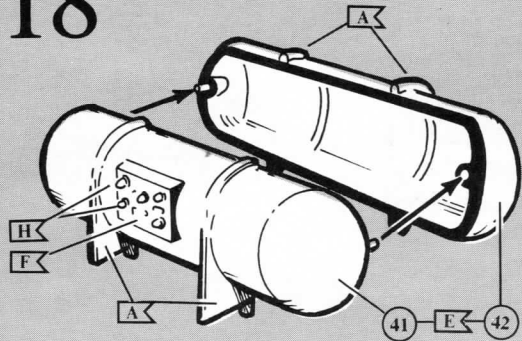
# 17



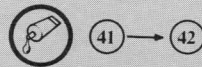
39 LARGE REACTANT CELL—TOP HALF  
40 LARGE REACTANT CELL—BOTTOM HALF



# 18

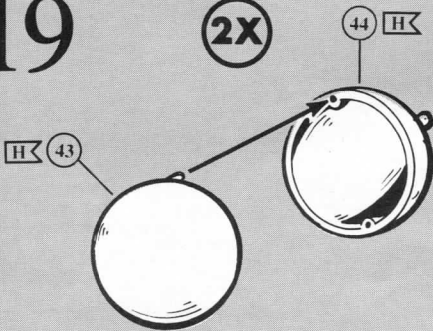


41 BATTERY HOUSING—FRONT HALF (2)  
42 BATTERY HOUSING—BACK HALF (2)

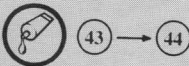


# 19

**2X**

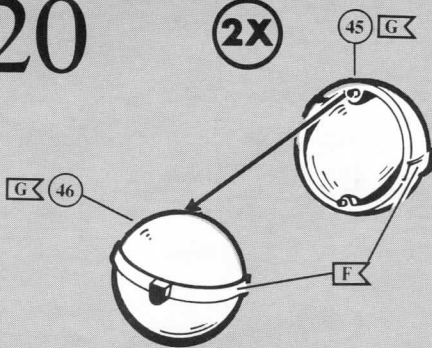


43 PRESSURANT CELL TOP HALF (2)  
44 PRESSURANT CELL BOTTOM HALF (2)

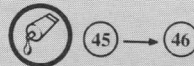


# 20

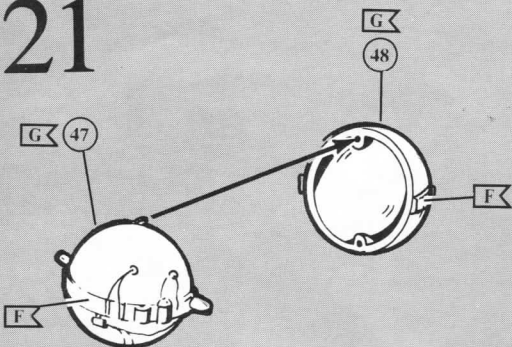
**2X**



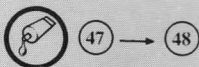
45 SMALL REACTANT CELL TOP  
46 SMALL REACTANT CELL BOTTOM



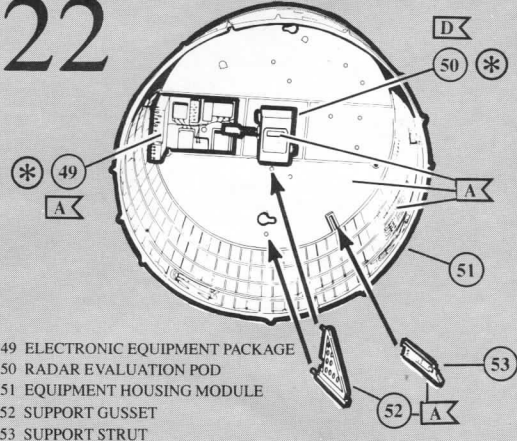
# 21



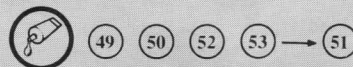
47 OXYGEN STORAGE CELL TOP  
48 OXYGEN STORAGE CELL BOTTOM

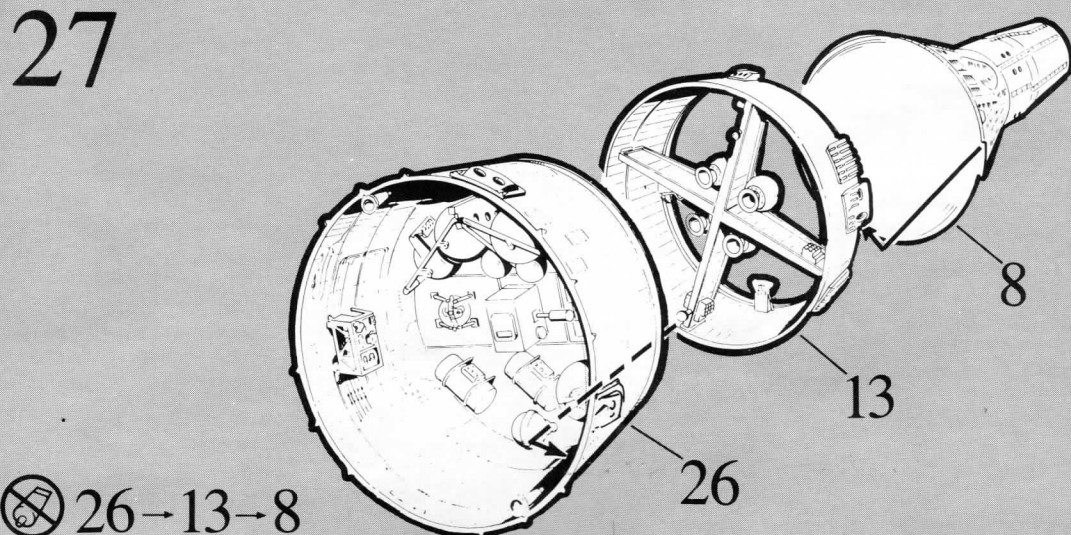
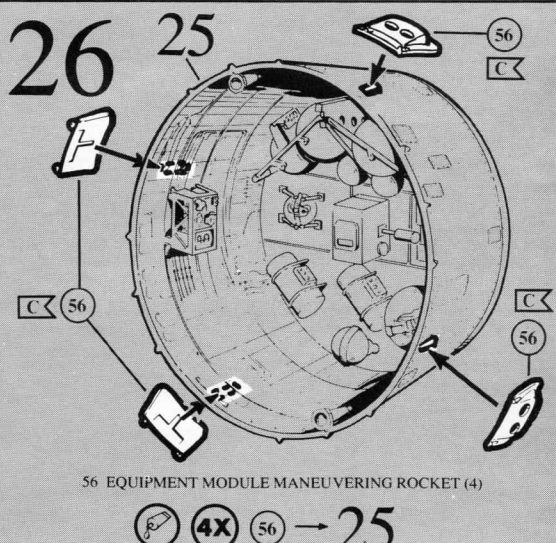
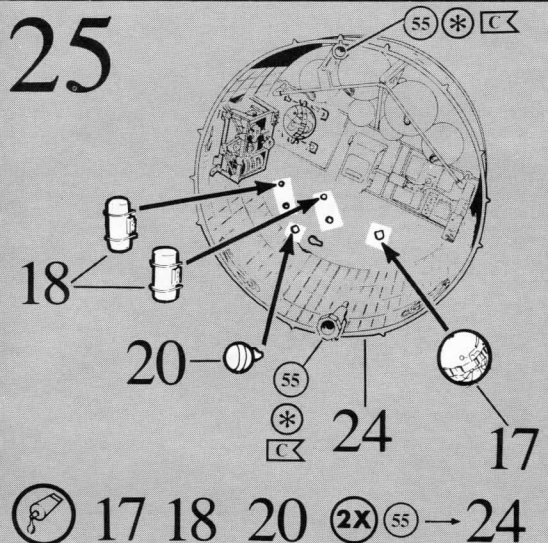
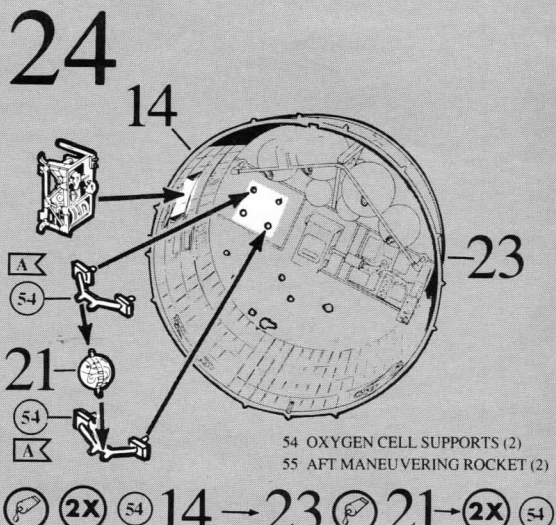
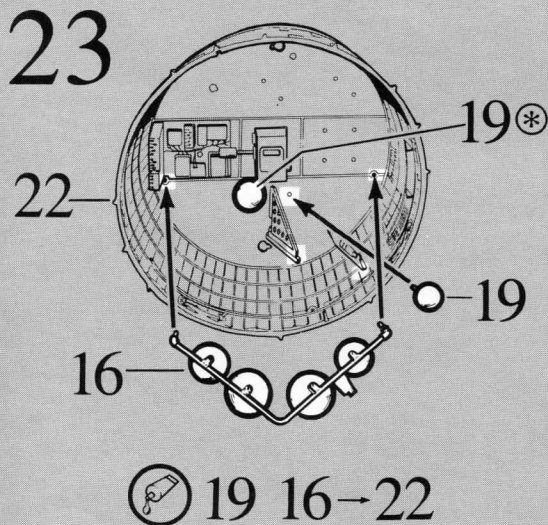


# 22

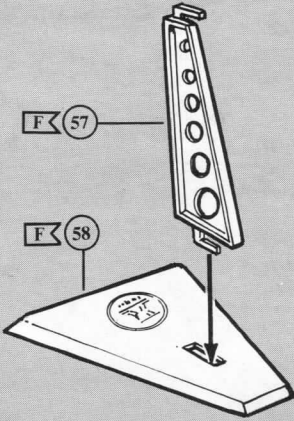


49 ELECTRONIC EQUIPMENT PACKAGE  
50 RADAR EVALUATION POD  
51 EQUIPMENT HOUSING MODULE  
52 SUPPORT GUSSET  
53 SUPPORT STRUT

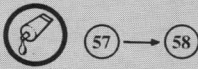




# 28



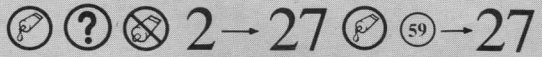
57 STAND  
58 STAND BASE



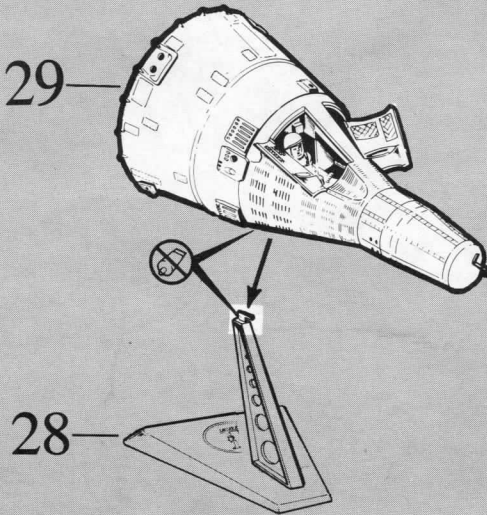
# 29



59 RADAR ANTENNA



# 30



~~29~~ → 28

# 31

