



The discovery of the Russian MiG 25 during a Soviet air show came as a great shock to the U.S. Air Force. Until then, it was felt the Russians were unable to build such a high performance aircraft, but the Foxbat, as it is called in the NATO code, is a very formidable machine. It is able to fly at well over twice the speed of sound and carries four radar or infrared guided missiles.

The secrets of the Foxbat were revealed in 1976, when a Russian pilot defected to Japan with one of the mysterious planes. It is powered by two gigantic turbojet engines of the type used on the Russian supersonic transport. Several countries now operate the MiG 25, but mainly for high speed, high altitude reconnaissance missions. The plane is just too fast to be an effective fighter, as it would take several hundred miles to just turn around at speeds near Mach 2.5!



Cement Parts  
Coller  
Kleben  
Pegar  
Incollare  
Colar  
Kleven



DO NOT cement  
Ne pas coller  
Nicht kleben  
No pegar  
Non incollare  
Não colar  
Niet kleven



Cut away  
Couper  
Schneiden  
Cortar  
Tagliare  
Cortar  
Snijden

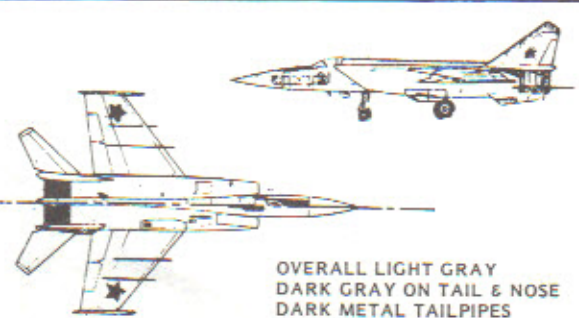
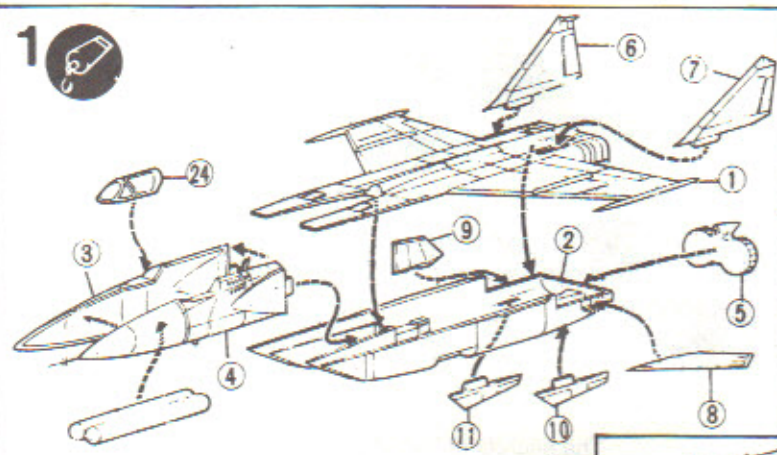


Optional parts  
Choix  
Auswahlmöglichkeit  
Eleccion  
Scelta  
Opcao  
Keuze



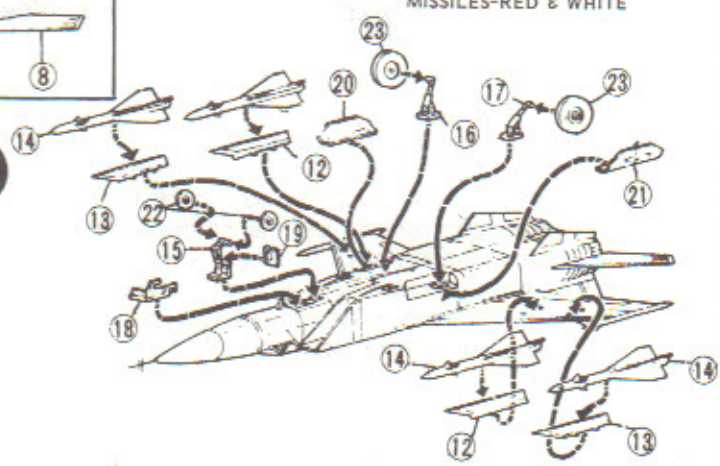
3 Repeat operation  
Répéter l'opération  
Vorgang wiederholen  
Repitir la operacion  
Ripetere  
Repitir a operação  
Herhalen

1



OVERALL LIGHT GRAY  
DARK GRAY ON TAIL & NOSE  
DARK METAL TAILPIPES  
MISSILES-RED & WHITE

2



**ACADEMY**  
아카데미  
**MINICRAFT**

1626