



**F-104G Historical Fighters Volkel RNLAF Starfighter**

In December 1962, the first two F-104Gs for the Royal Netherlands Air Force (RNLAF) were delivered. By 1966, the RNLAF had five squadrons operational: 306 at Twenthe, 323 and 322 at Leeuwarden and 311 and 312 at Volkel. In total, the RNLAF took delivery 138 F-104Gs. Between 1979 and 1984, these were replaced by the F-16A/B.

By 2000, the numbers of remaining Starfighters in the Netherlands were dwindling and many were in bad condition. Historical Fighters Volkel (HVV), consisting of a dedicated group of volunteers, started in 2004 with restoring historical jets at Volkel Air Base. Their main focus was to restore a Starfighter for static display. When in 2011 D-8114 became available, which had been in use at the Technical University in Delft, HVV jumped at the opportunity.

Today, the HVV is committed to bringing D-8114 back into full flyable condition. A lot has been achieved in recent years by performing a 200 hours inspection, with the aircraft's hydraulic and electric systems have been brought back to life. S&S Turbines Services from Canada will supply a running J79-GE11A engine to power D-8114. To raise much needed funds and support the HVV, the Dutch Starfighter Foundation (DSF) was founded in 2018, chaired by Hans van der Werf, the famous RNLAF Starfighter demo-pilot from 1974 to 1979.

Please help the HVV to achieve their ultimate goal: Putting D-8114 back in the air!

**CAUTION**

- \*Read carefully and fully understand the instructions before commencing assembly.
- \*Keep out of reach of children. Children must not be allowed to put any parts in their mouths, or pull plastic bag over their heads.
- \*When using adhesives and paints, please make sure not to use them in closed room or near the fire.
- \*When assembling this kit, tools including knives are used. Extra care should be taken to avoid injury.

**WARNING: CONTAIN SMALL PARTS NOT FOR CHILDREN UNDER 14 YEARS OF AGE.**



**TOOLS RECOMMENDED**

Modeling Knife

Cement

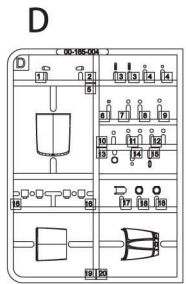
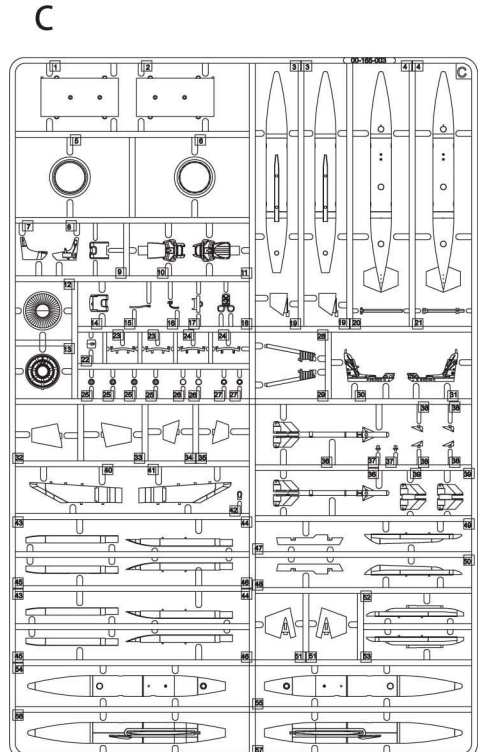
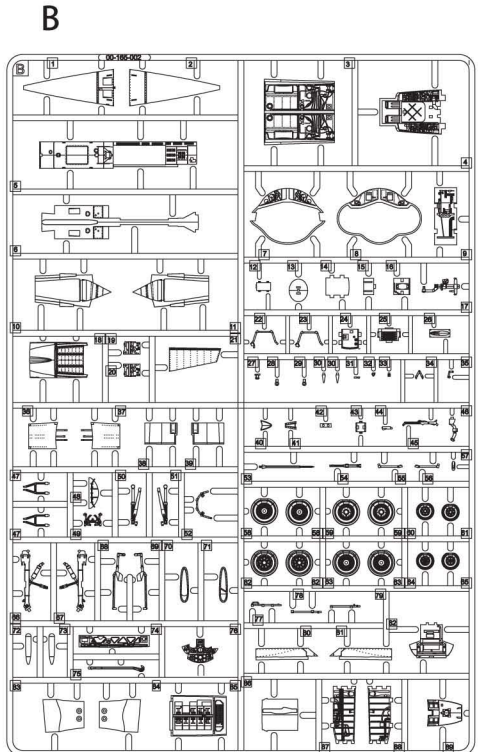
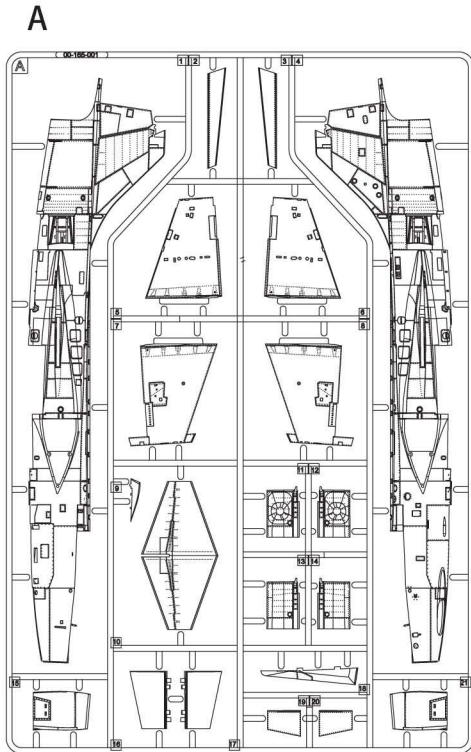
Side Cutter

Tweezers

**AFTERMARKET SERVICES CARD**

When requesting replacement parts, please take or send this form to your local dealer so that the parts required can be correctly identified. Please note that specifications and availability are subject to change without notice. Or visit <http://www.kineticmodel.com> for latest information. For more information, please contact [services@kineticmodel.com](mailto:services@kineticmodel.com)

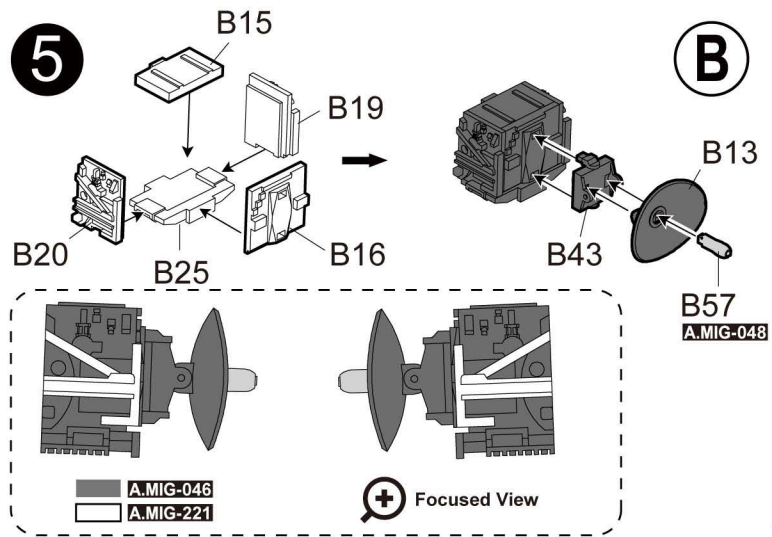
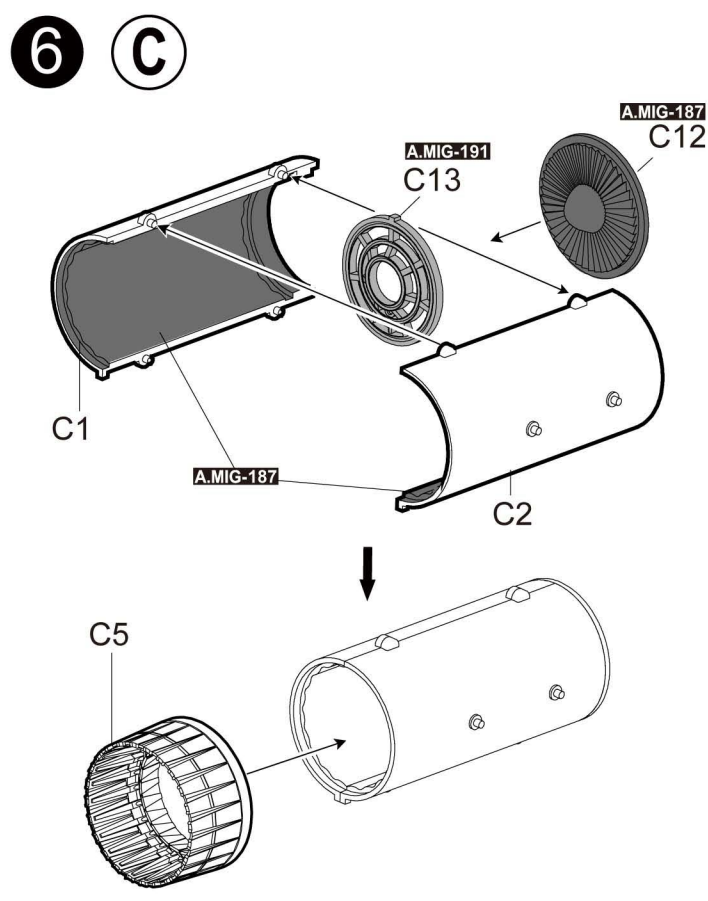
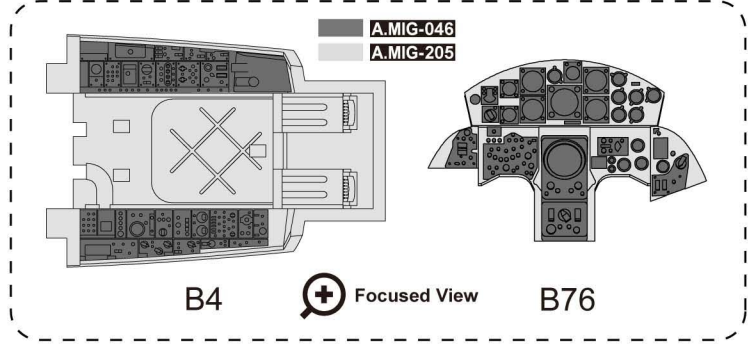
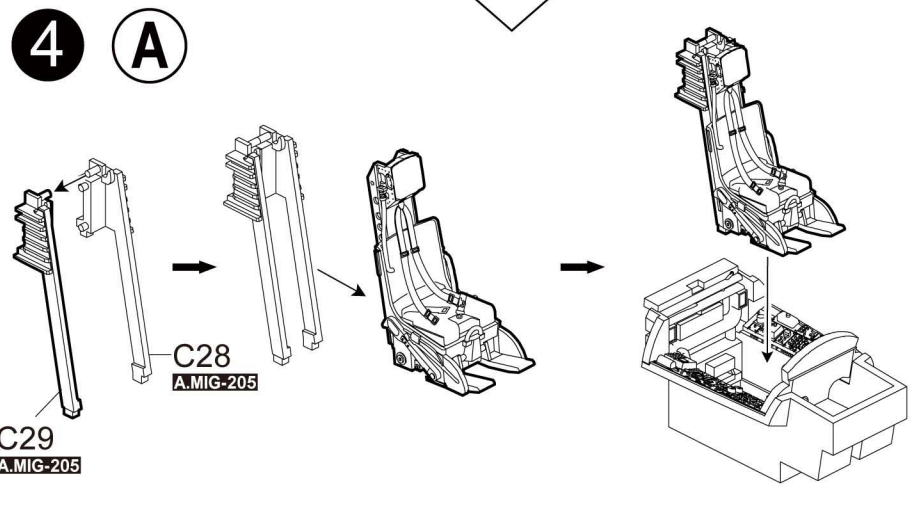
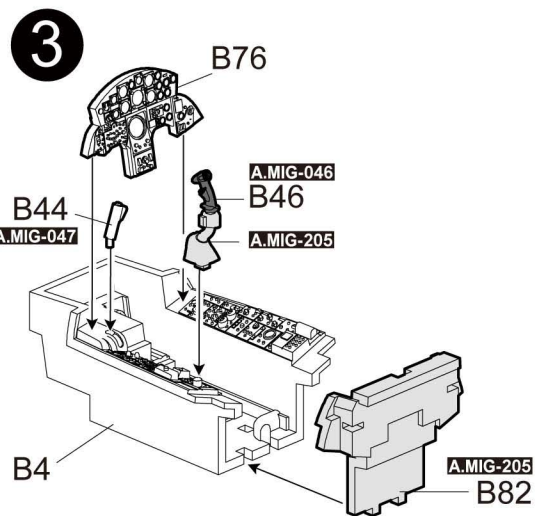
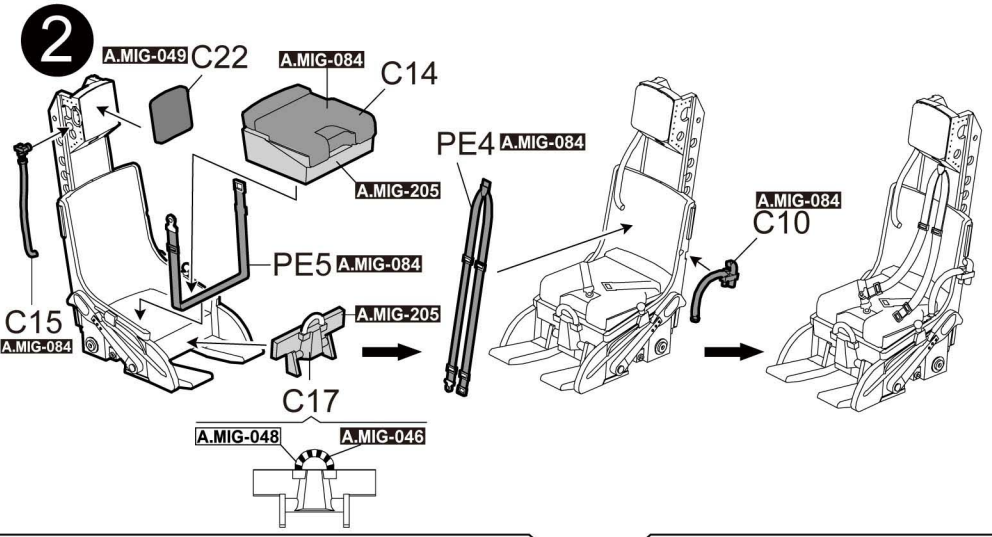
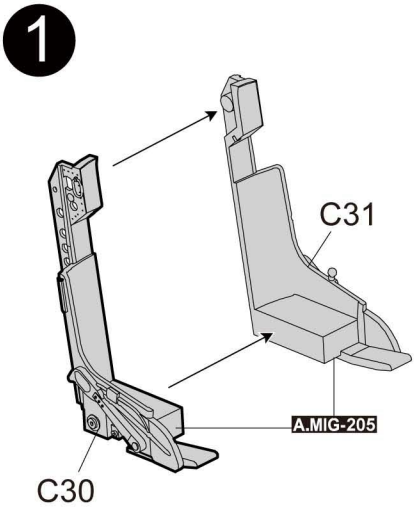
Part Code	K48090	Qty	Item
00-165-001	1/48 F-104G FUESLAGE, COCKPIT, ACCESSORIES	1	A
00-165-002	1/48 F-104 WINGS, TANK ACCESSORIES	1	B
00-165-003	1/48 F-104 NLG,MLG PARTS	1	C
00-165-004	1/48 F-104G/TF-104G CANOPY	1	D
01-165-48090	1/48 F-104G RNLAf	1	Decal
03-165-48090	1/48 F-104G RNLAf	1	MANUAL
06-165-48083	1/48 F-104/TF-104 PE	1	PE

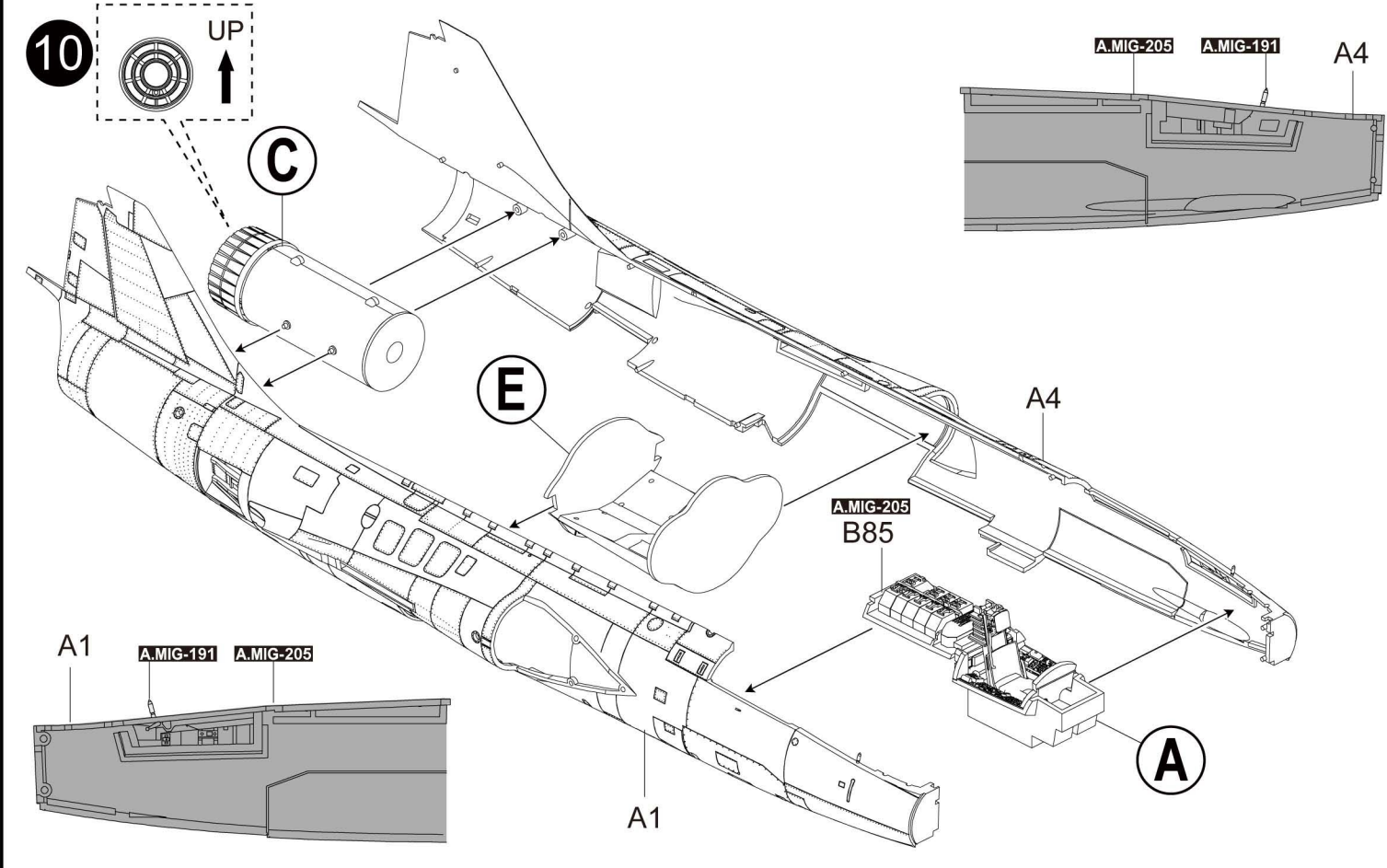
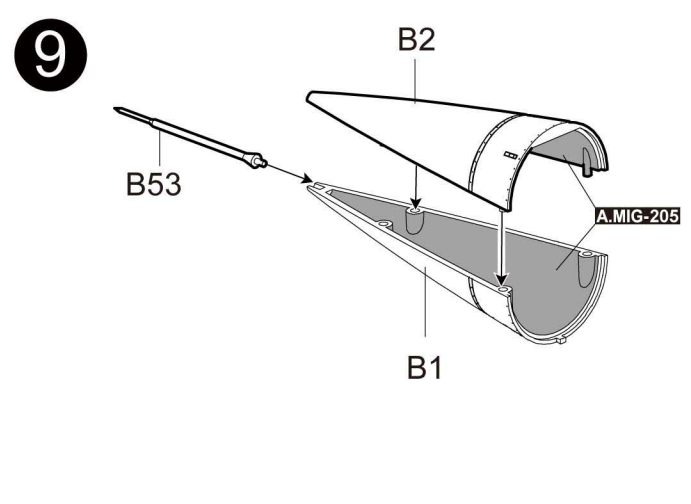
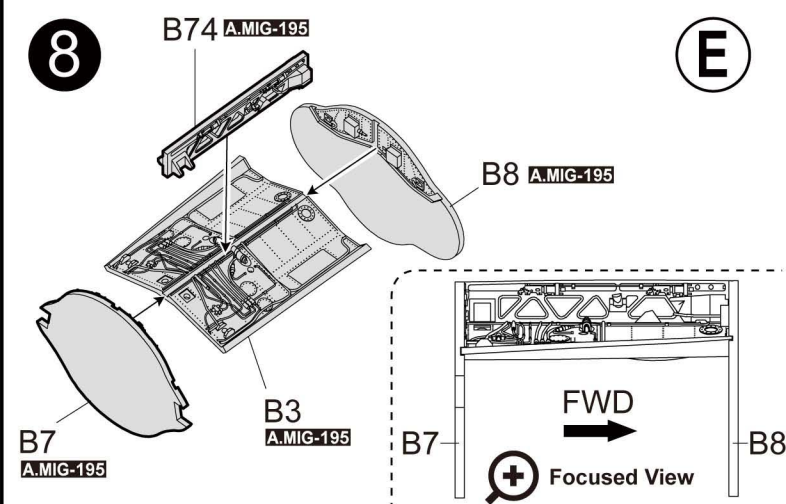
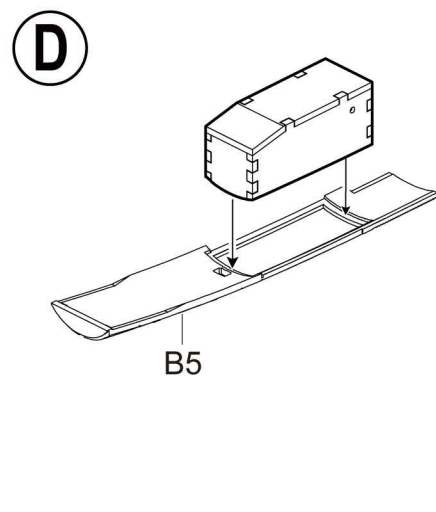
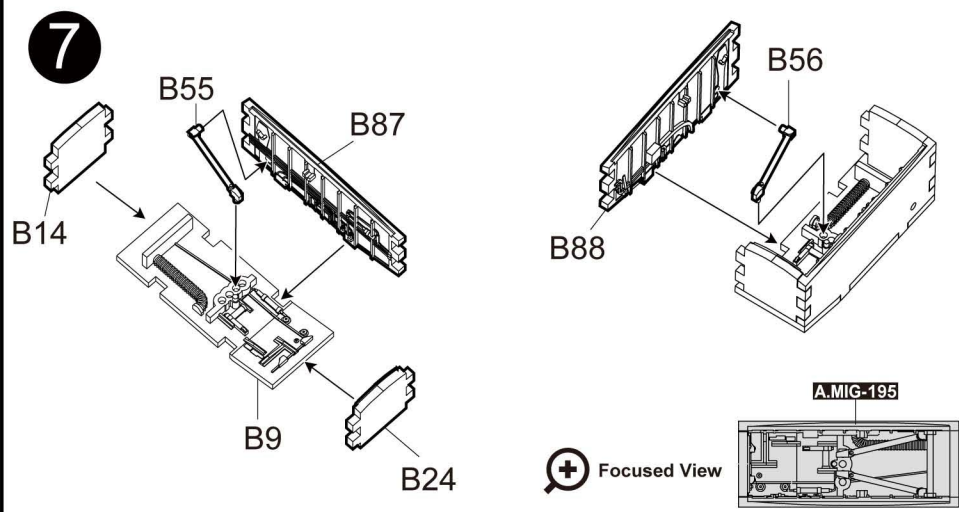




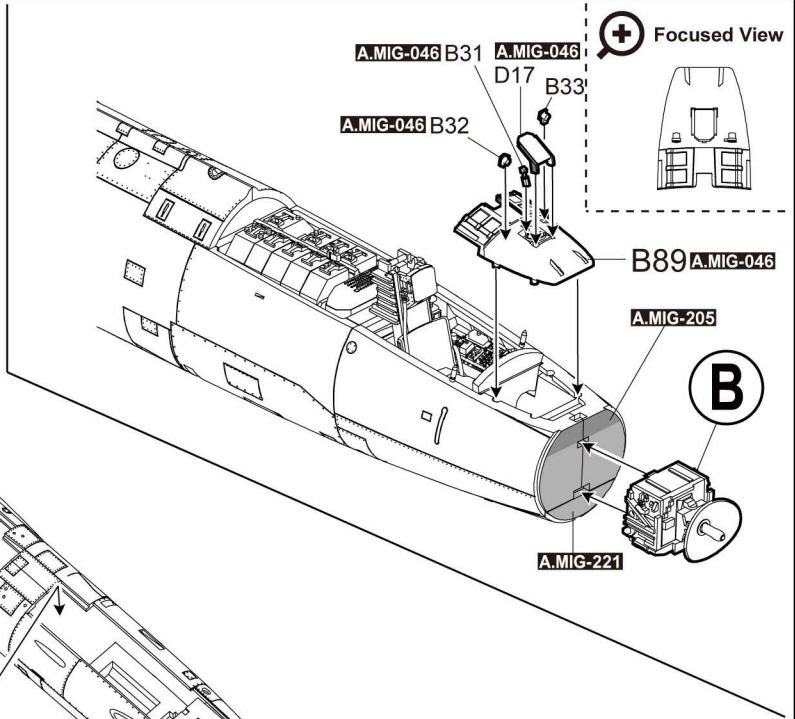
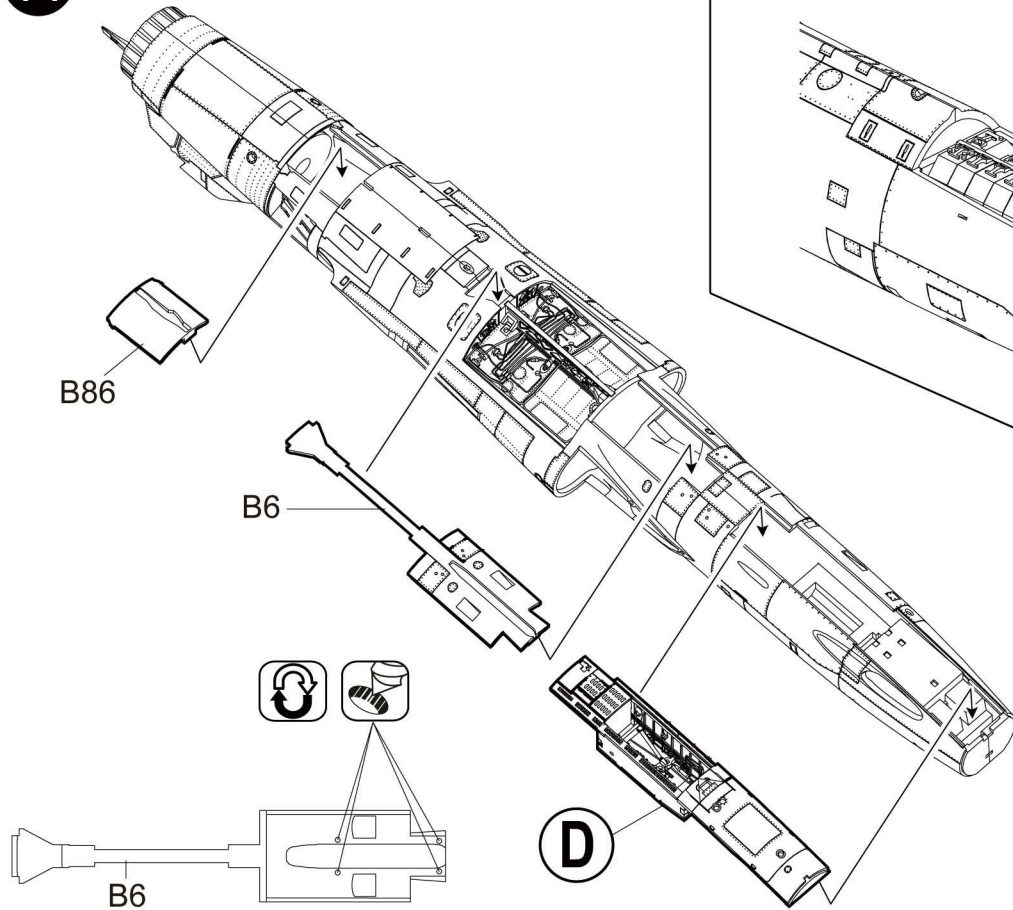
COLOR	AMMO MIG	VALLEJO MODEL COLOR	GSI CREOS MR. COLOR	TAMIYA ENAMEL/ACRYLIC	HUMBROL ENAMEL
SATIN BLACK	A.MIG-032	70.861	2	-	85
GUN METAL	A.MIG-045	71.072	78	X-10	53
MATT BALCK	A.MIG-046	71.057	33	XF-1	33
RED	A.MIG-049	71.003	3	XF-7	153
MATT WHITE	A.MIG-050	71.001	62	XF-2	34
FOREST GREEN	A.MIG-065	71.348	303	XF-58	-
BLUE	A.MIG-086	71.089	5	-	-
CRYSTAL RED	A.MIG-093	70.934	47	X-27	220
CRYSTAL LIGHT BLUE	A.MIG-098	-	50	-	-
LIGHT BROWN-GRAY	A.MIG-120	-	35	-	-
FADED YELLOW	A.MIG-130	-	318	-	-
JET EXHAUST BURNT IRON	A.MIG-187	71.073	61	XF-84	-
STEEL	A.MIG-191	70.864	28	-	27003
SILVER	A.MIG-195	71.063	8	X-11	11
FS 34424 LIGHT GRAY GREEN	A.MIG-201	70.885	314	-	-
FS 30219 TAN	A.MIG-202	71.125	310	XF-59	118
GHOST GRAY FS 36375	A.MIG-203	70.990	308	-	-
RLM 81 - FS 34079 - BS641	A.MIG-206	70.893	330	-	-
FS 36495 LIGHT GREY	A.MIG-209	71.276	338	-	147
FS 36622 GRAY	A.MIG-226	71.296	311	-	28
RLM78 HELLBLAU	A.MIG-247	71.101	118	-	248
RLM81 OLIVE DRAB DARK	A.MIG-925	71.043	38	-	251
MATT VARNISH	A.MIG-2050	26.518	30	X-21	-

For Color Profile, please go to [www.kineticmodel.com](http://www.kineticmodel.com) for download  
(type the kit# and go for manual/painting guide)

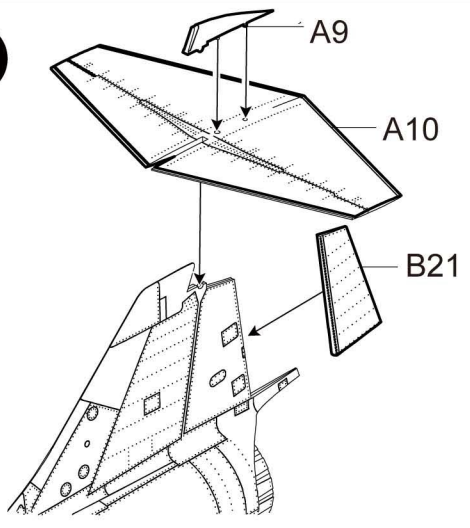




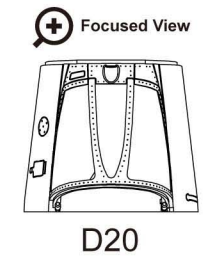
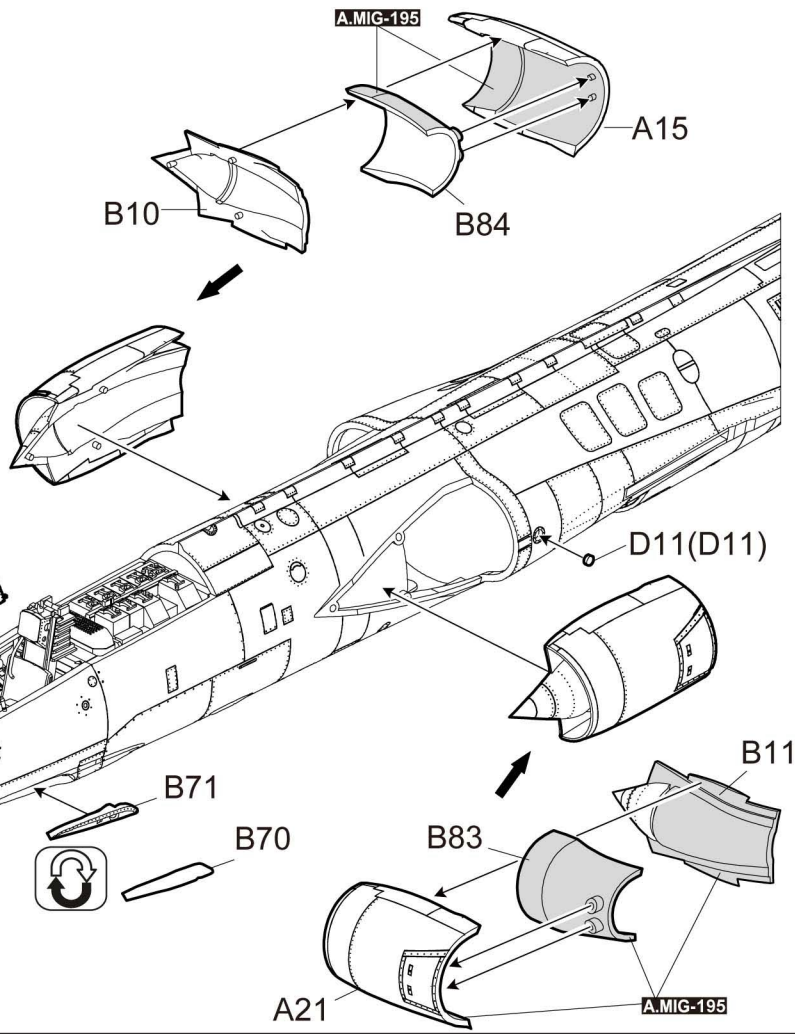
11

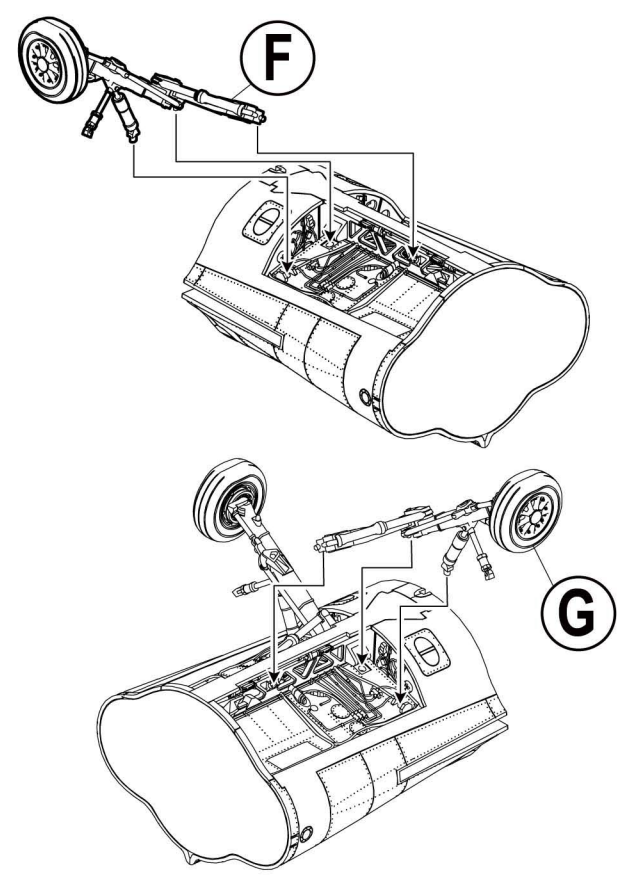
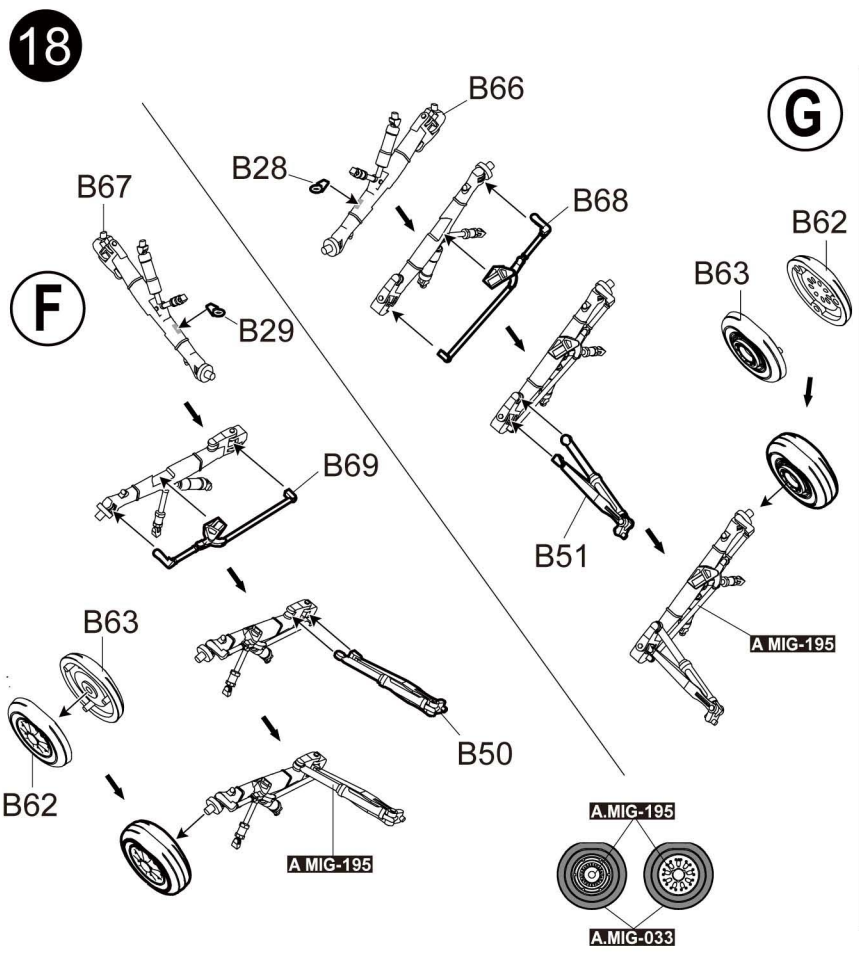
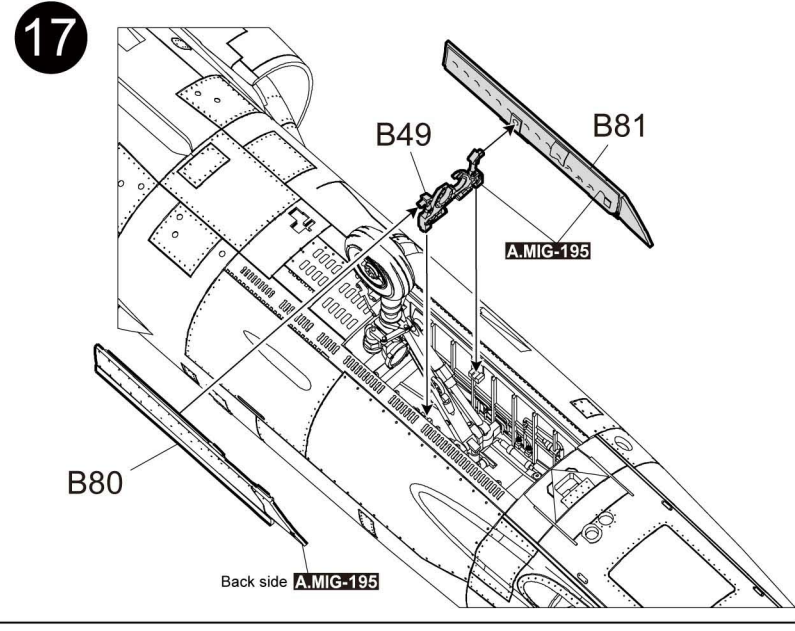
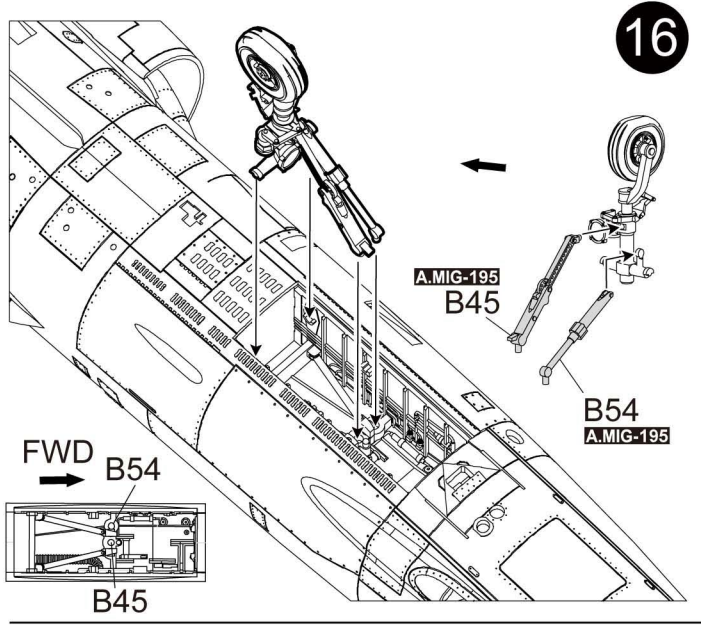
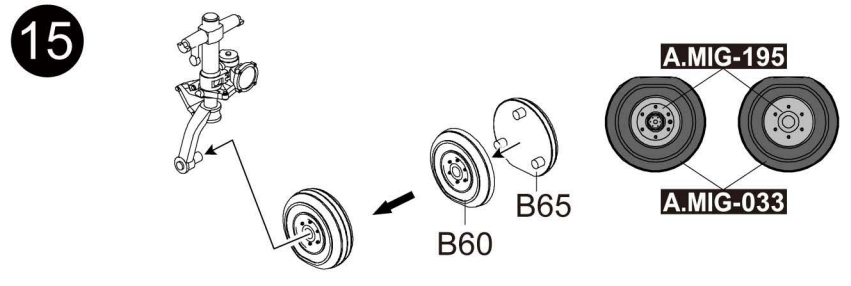
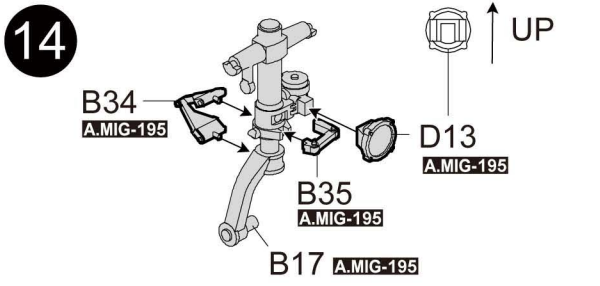


12

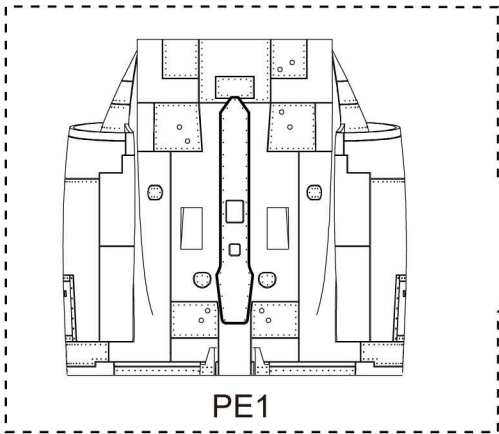
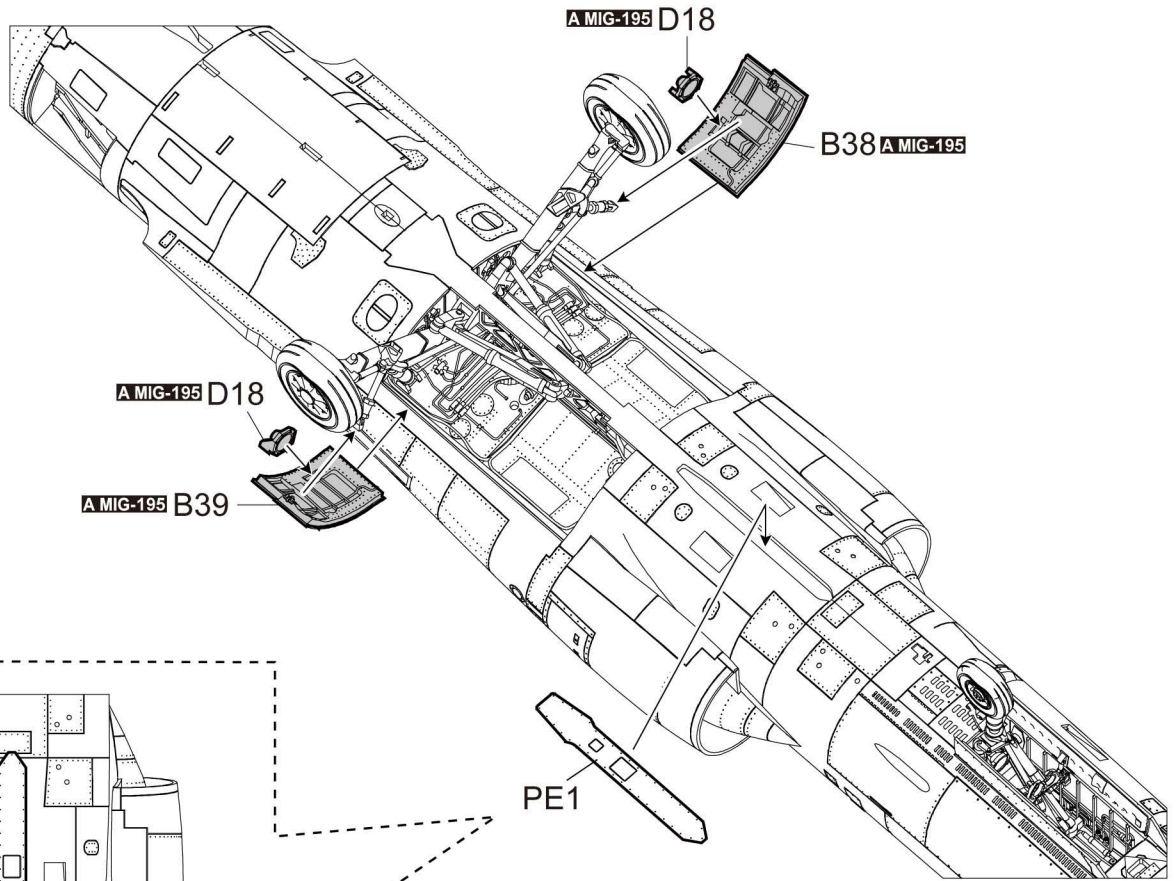


13

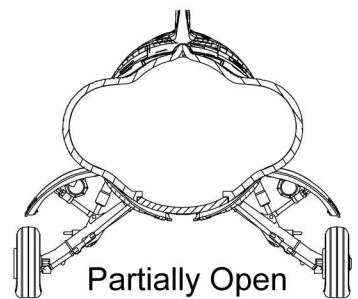
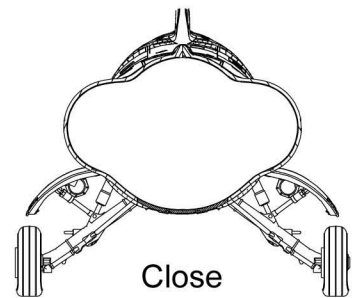
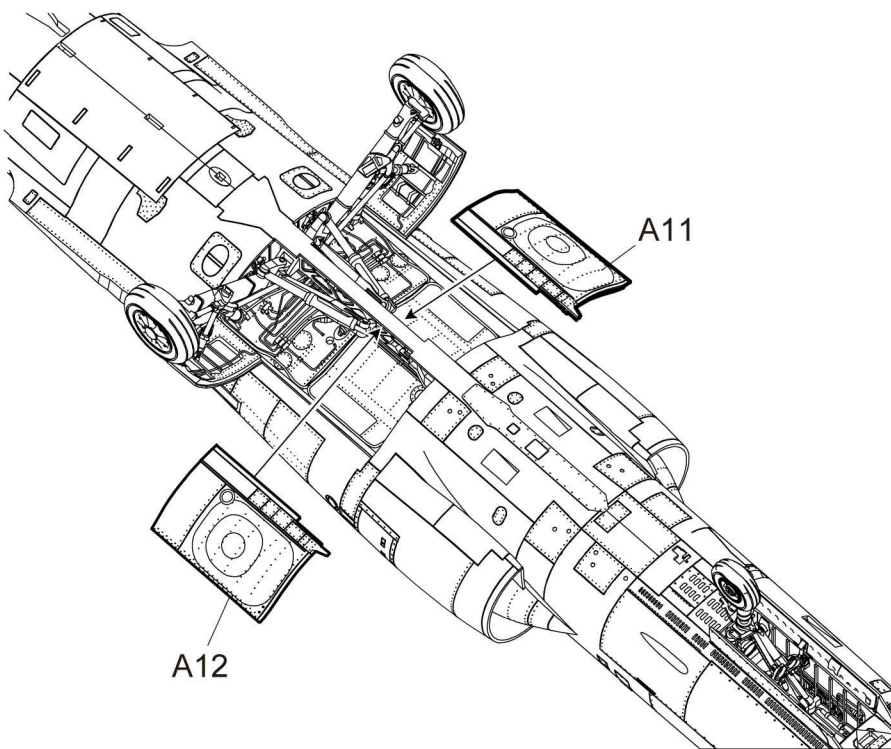




19

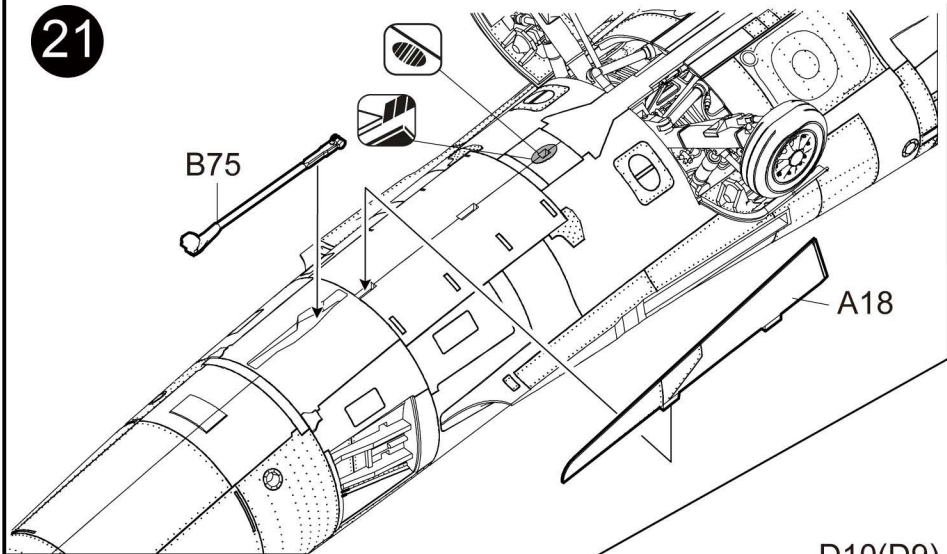


20

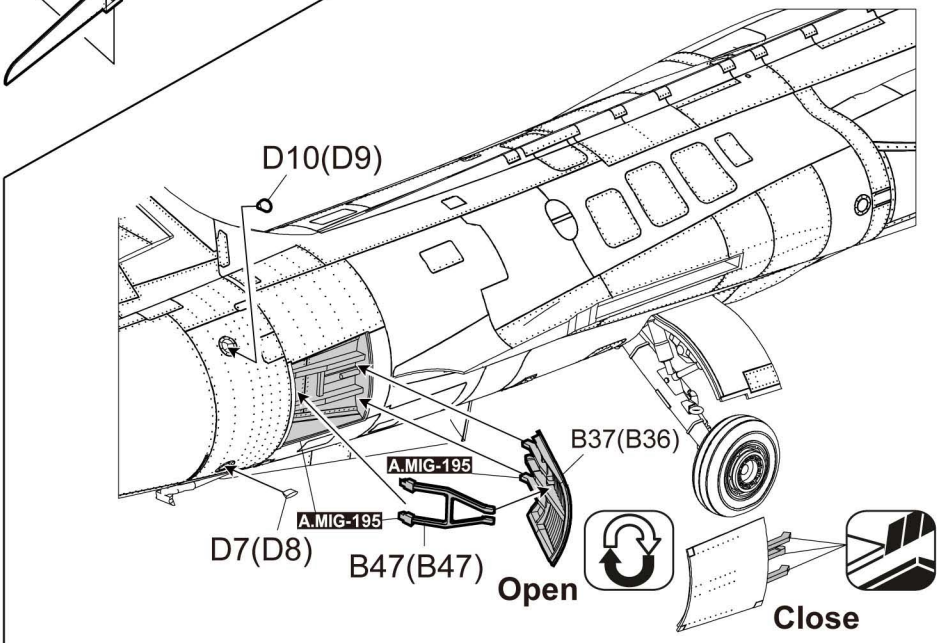




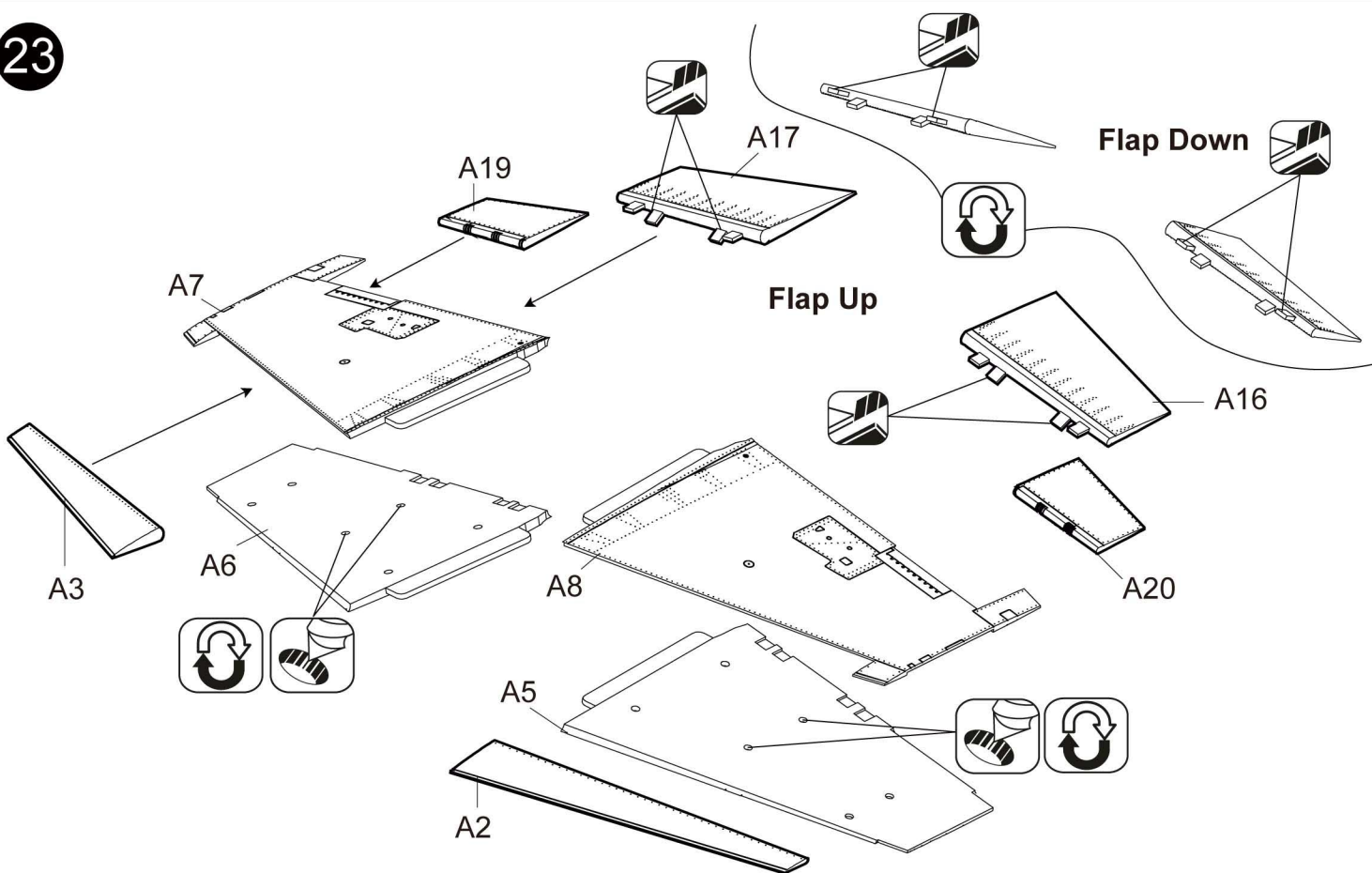
21



22

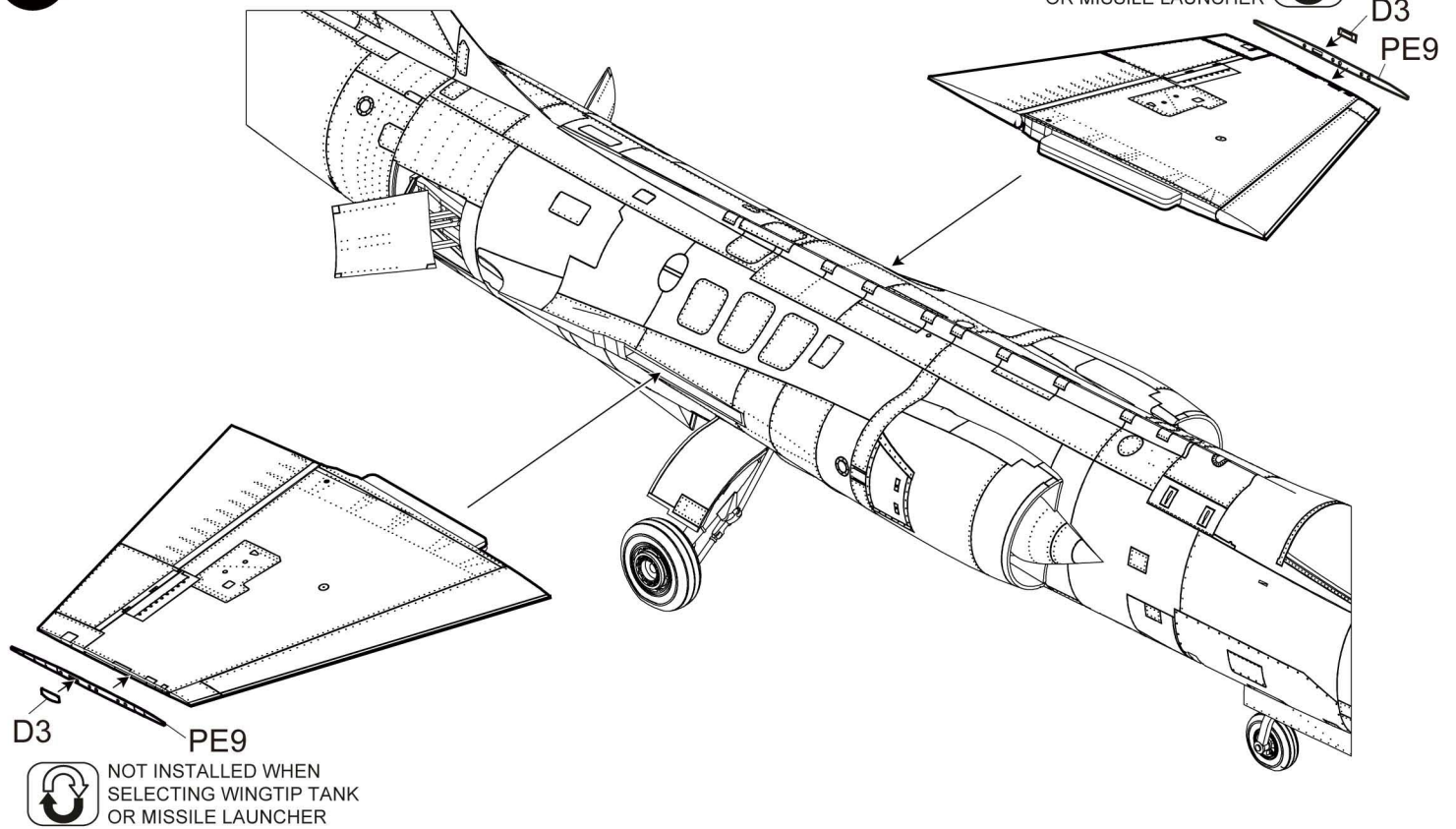


23

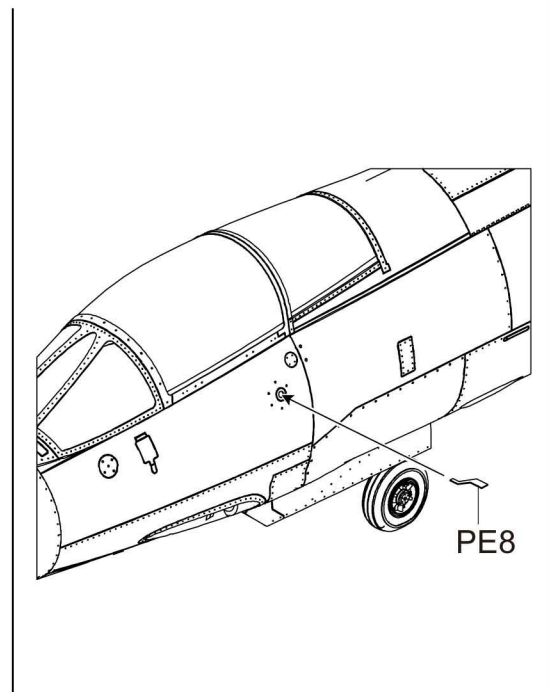
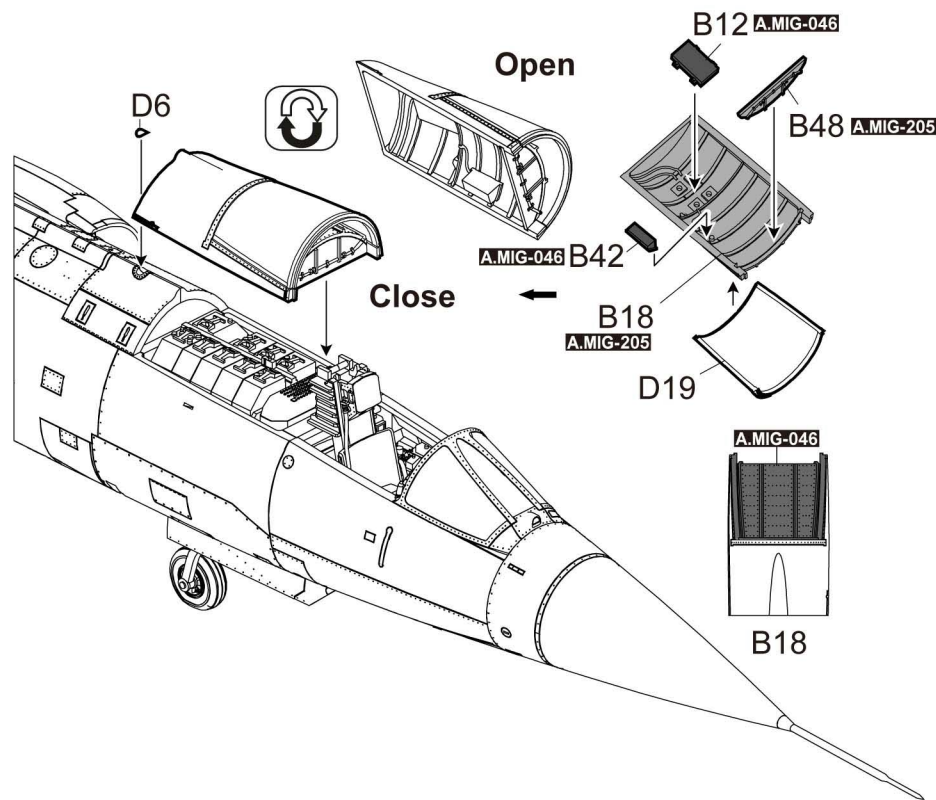


24

NOT INSTALLED WHEN  
SELECTING WINGTIP TANK  
OR MISSILE LAUNCHER

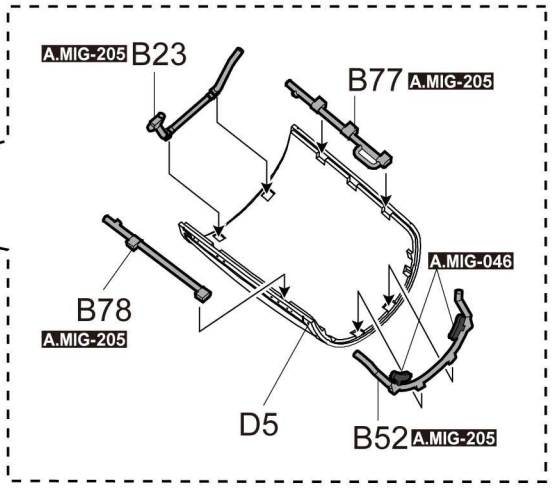
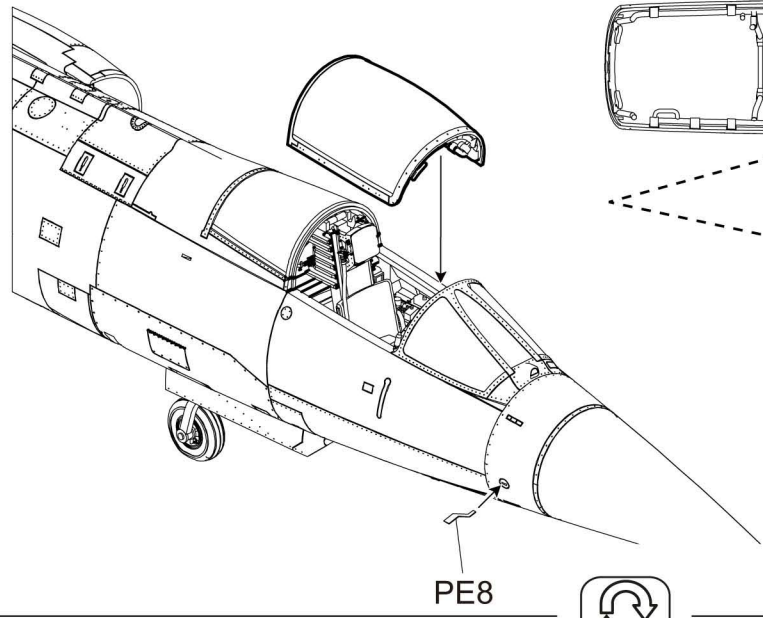


25

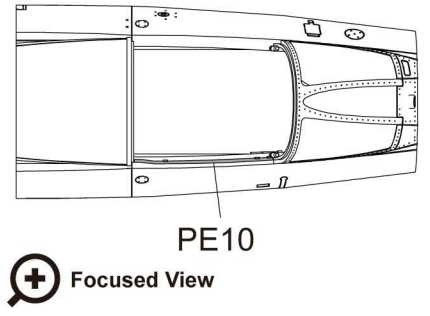
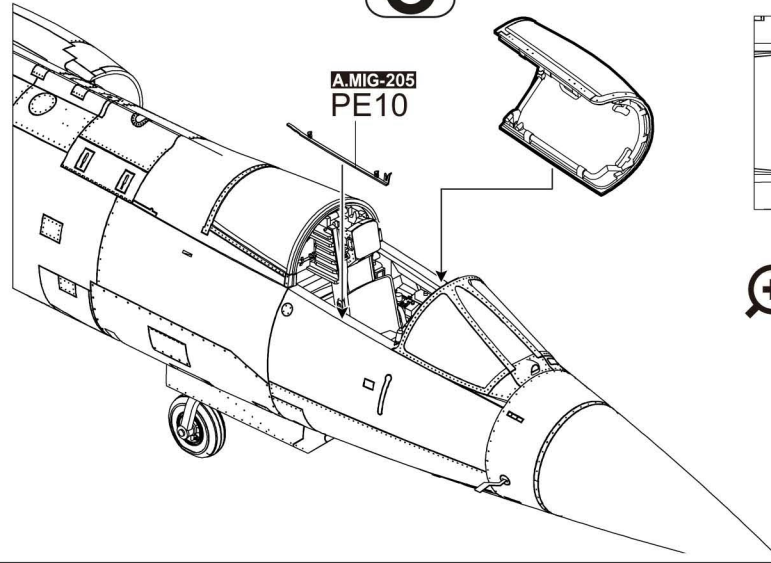


**26** Canopy Close

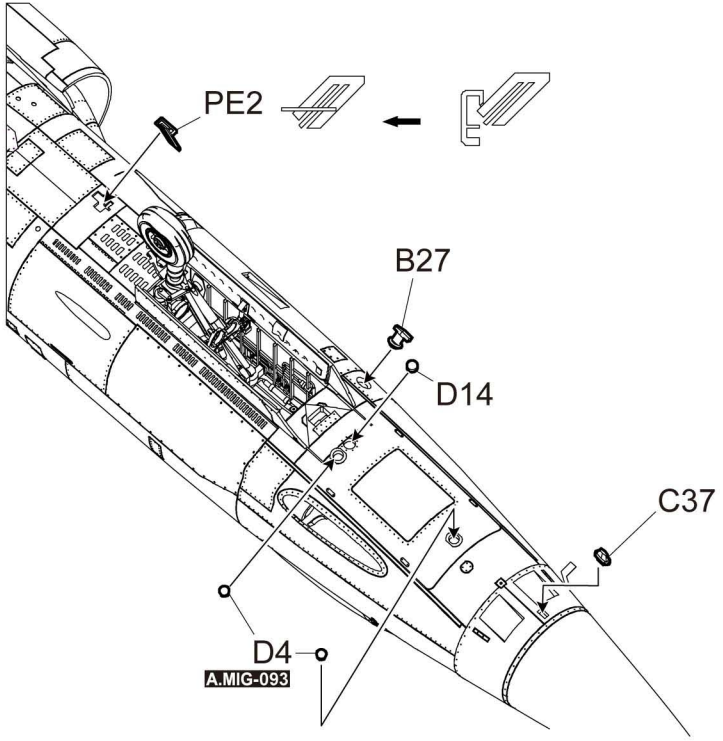
**+** Focused View



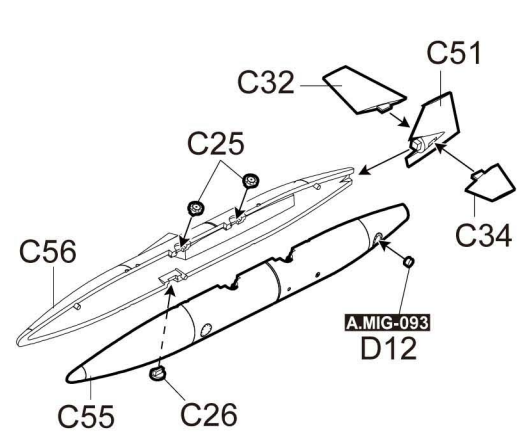
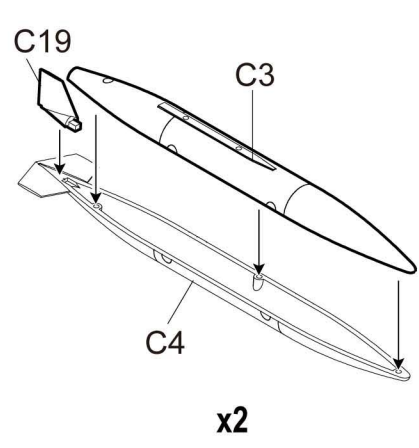
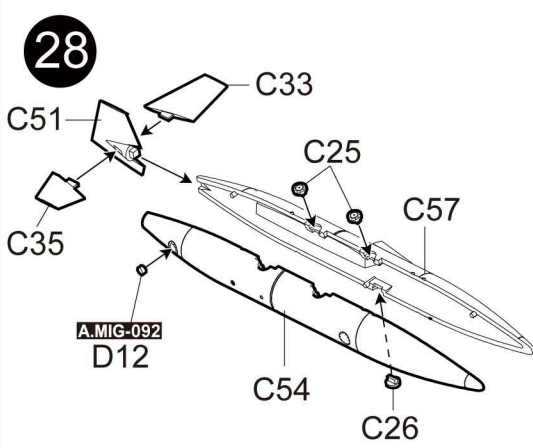
Canopy Open



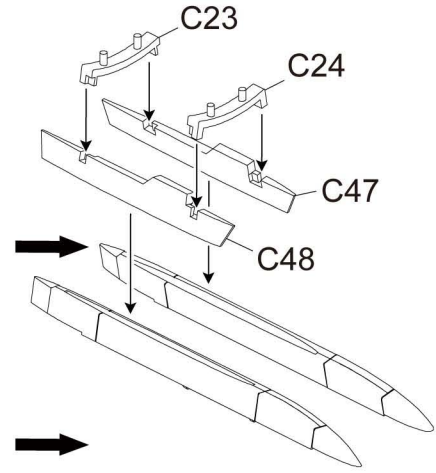
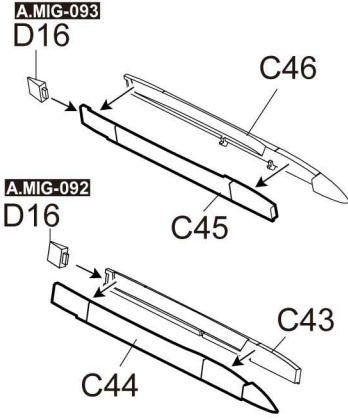
**27**



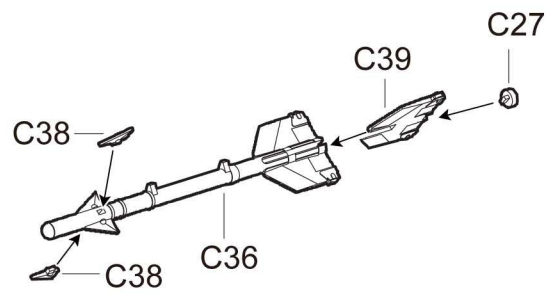
28



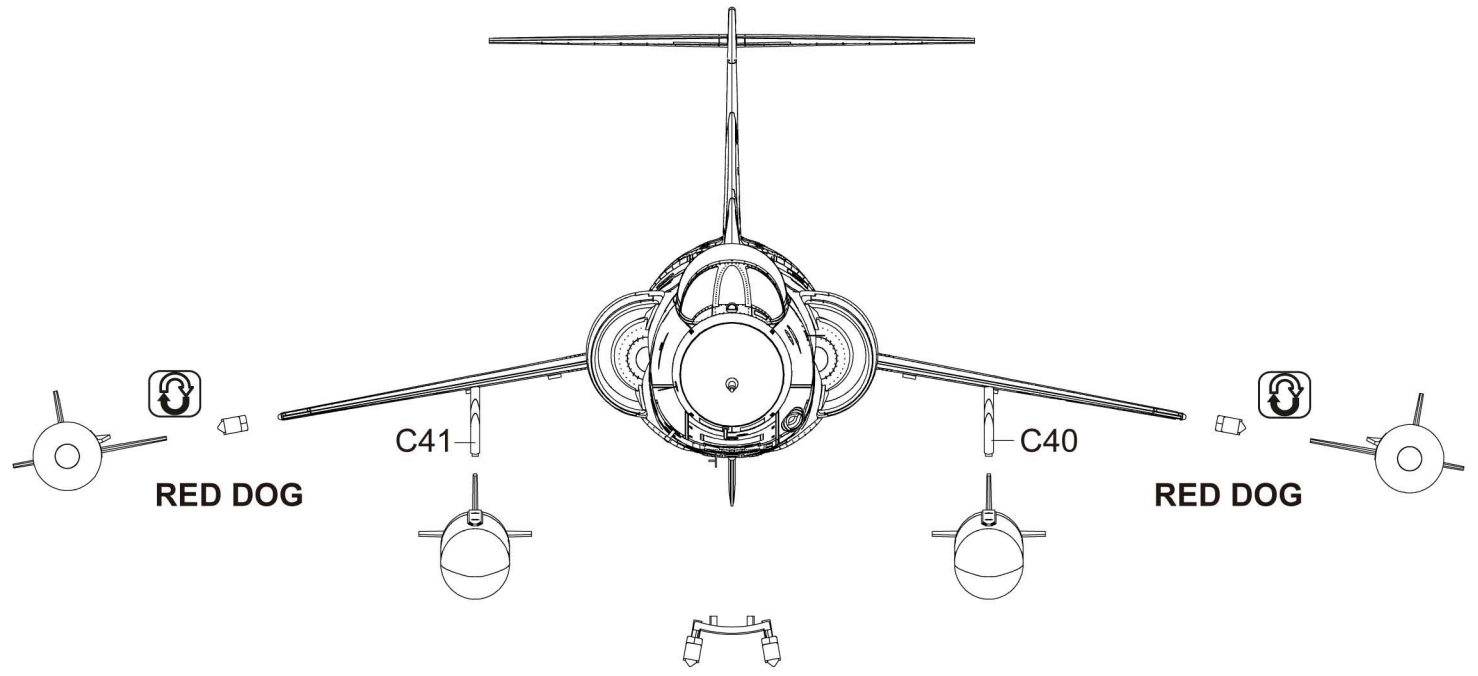
RED DOG x2



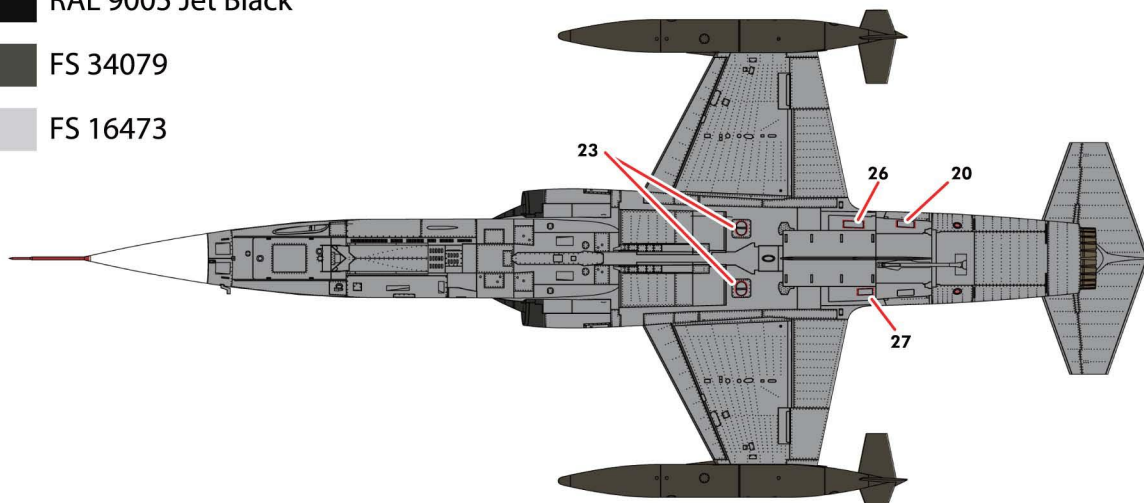
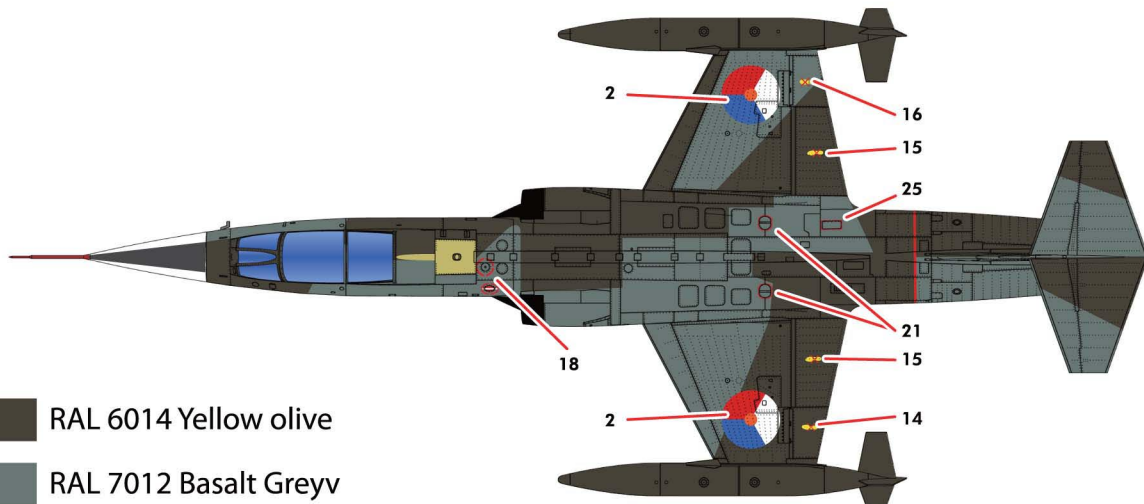
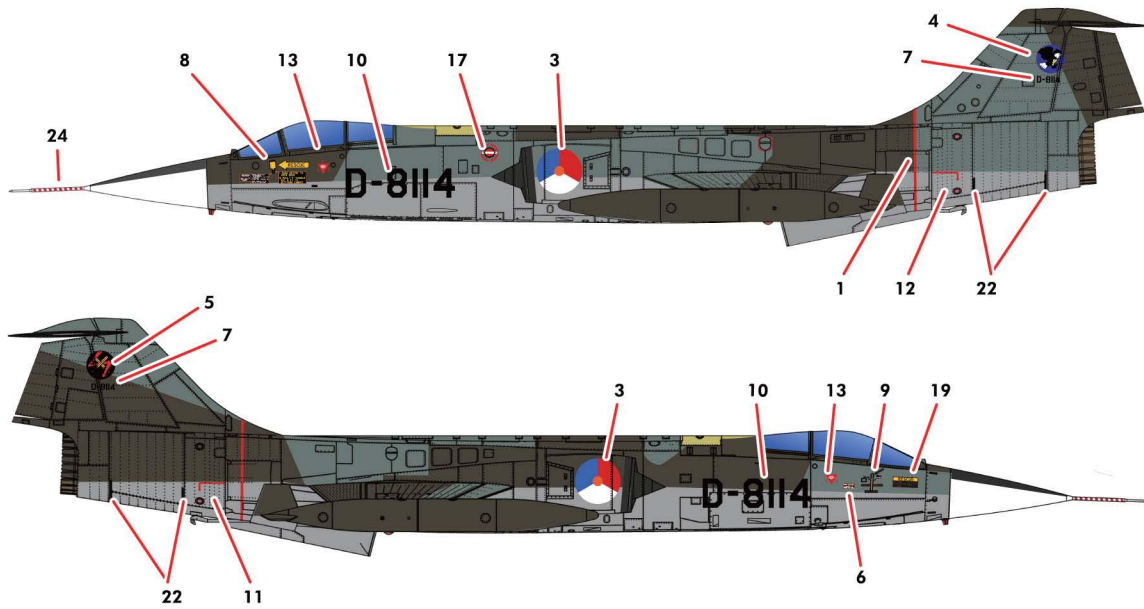
AIM-9B



29



1. F-104G, D-8114, Royal Netherlands Air Force. Under restoration for display on Volkel Airbase, by Stichting Dutch Starfighter Foundation.



- A.MIG-087**  RAL 6014 Yellow olive
- A.MIG-235**  RAL 7012 Basalt Greyv
- A.MIG-191**  RAL 9006 White aluminium
- A.MIG-046**  RAL 9005 Jet Black
- A.MIG-206**  FS 34079
- A.MIG-209**  FS 16473