



# Bellanca J-300

## 1/72 SCALE MODEL CONSTRUCTION KIT

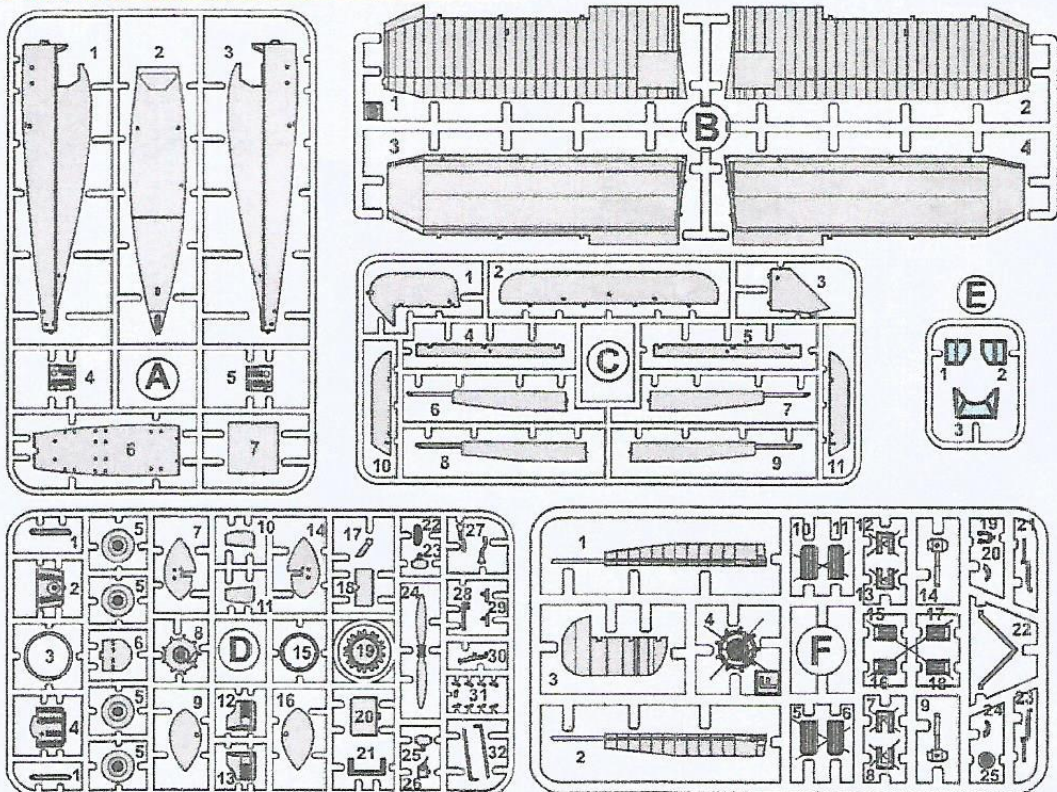
Ready to assemble scale models kit.  
 Contains part for one model.  
 Model length: 164 mm  
 Wingspan: 136 mm  
 Plastic parts: 112  
 Photoetched parts: 21

The CH-300 was a conventional, high-wing braced monoplane with fixed tailwheel undercarriage. Like other Bellanca aircraft of the period, it featured "flying struts". [N 1] While the CH-200 was powered by 220 hp Wright J-5 engines, the CH-300 series Pacemakers were powered by 300 hp Wright J-6s.

Holger Hojriis and Otto Hillig of the Bellanca J-300 "Liberty" used on their transatlantic flight from Newfoundland to Copenhagen, June 24-25, 1931. The plane was later sold to Benjamin and Joseph Adamowicz, renamed "Warsaw", and used on their New York - Warsaw flight of 1934 (r/n NR 797W).

Many thanks to Roger Holden and Jaroslaw Kieliszek for help with the project.

### PARTS OF THE MODEL



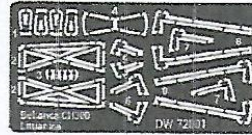
### USED SYMBOLS



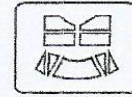
Decal



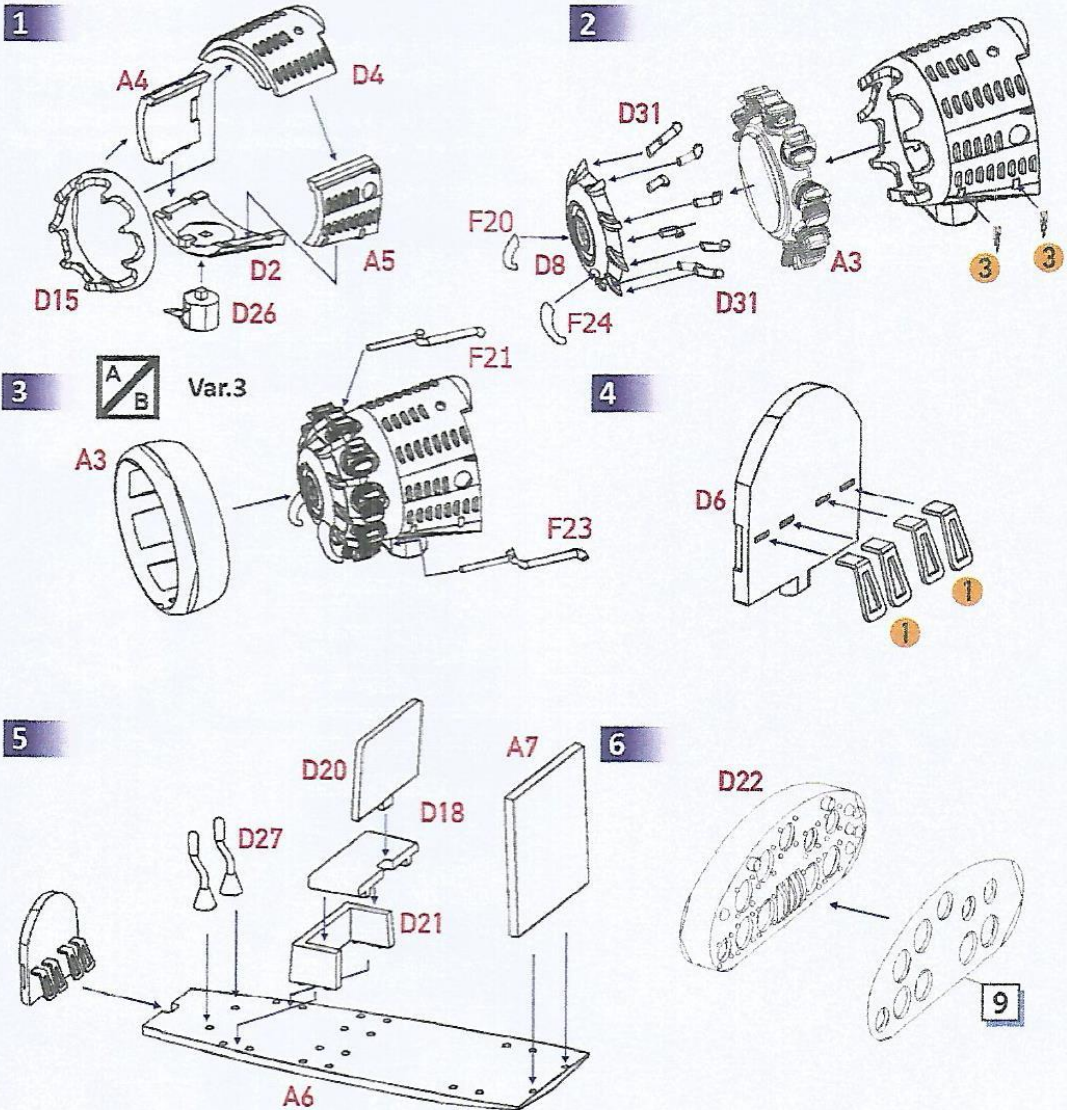
PE



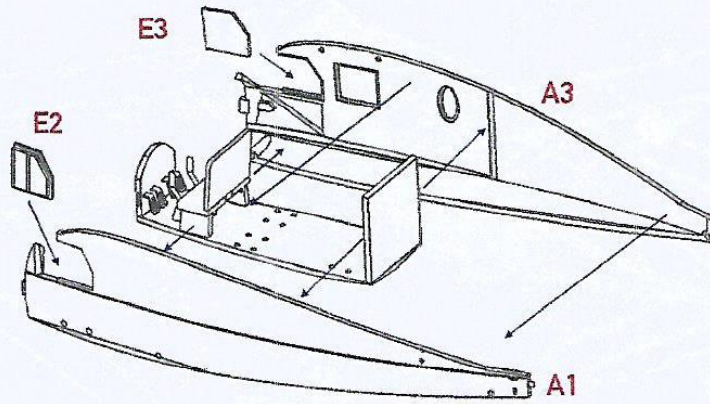
Mask



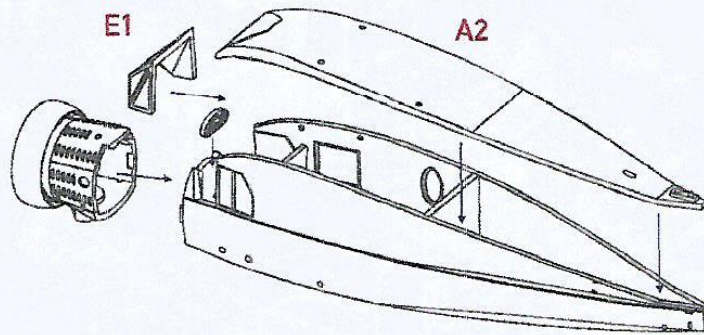
ASSEMBLY INSTRUCTION



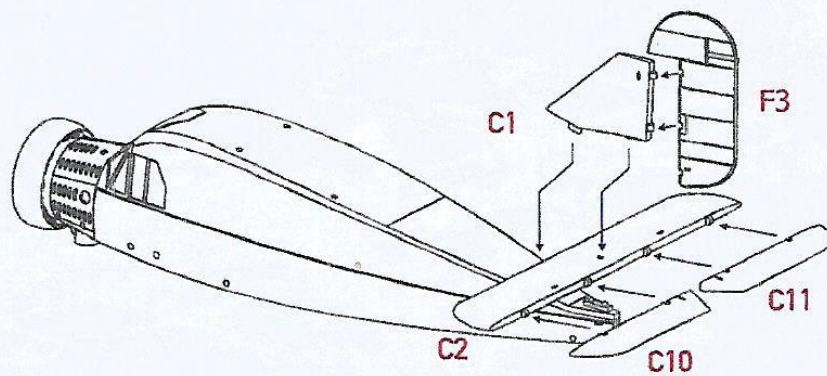
10



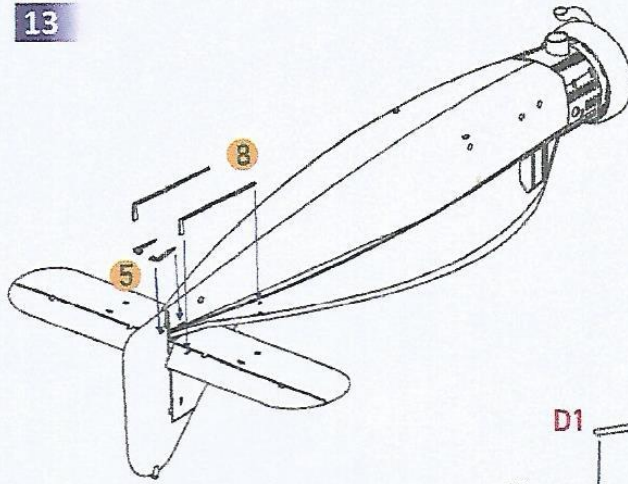
11



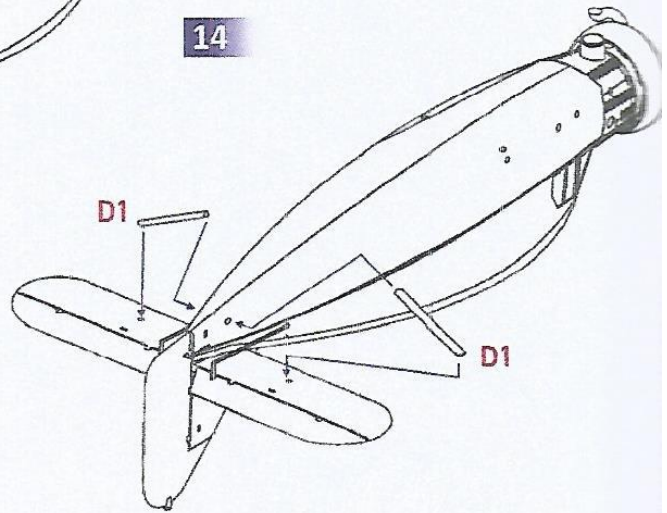
12



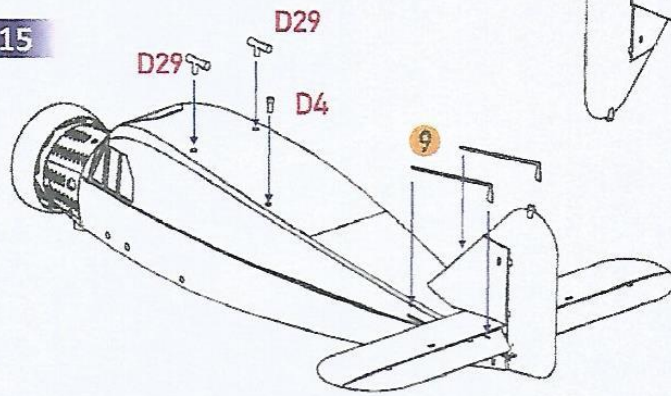
13



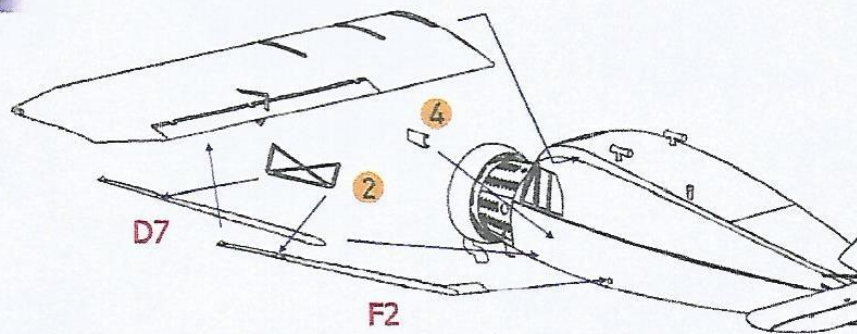
14



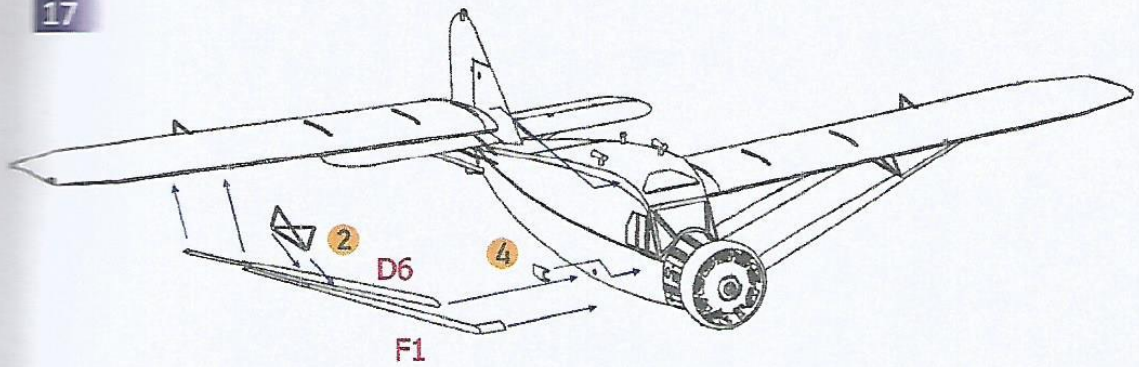
15



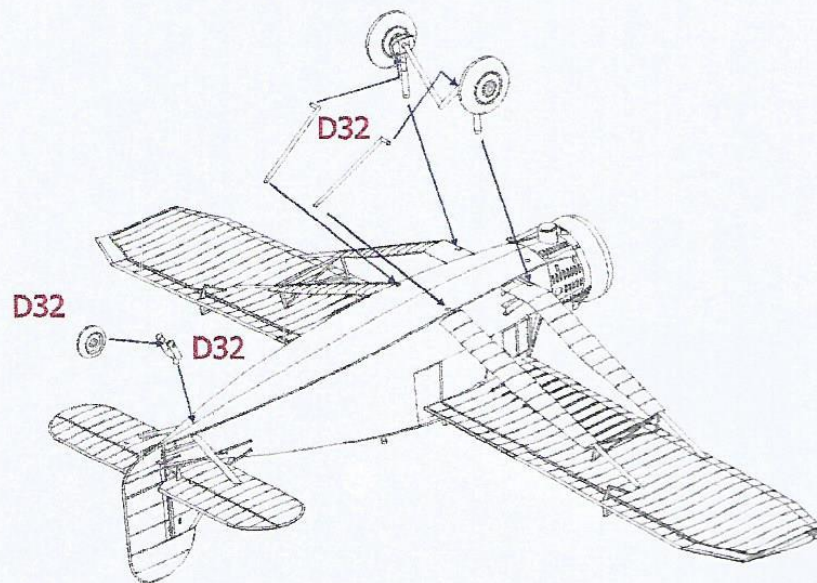
16



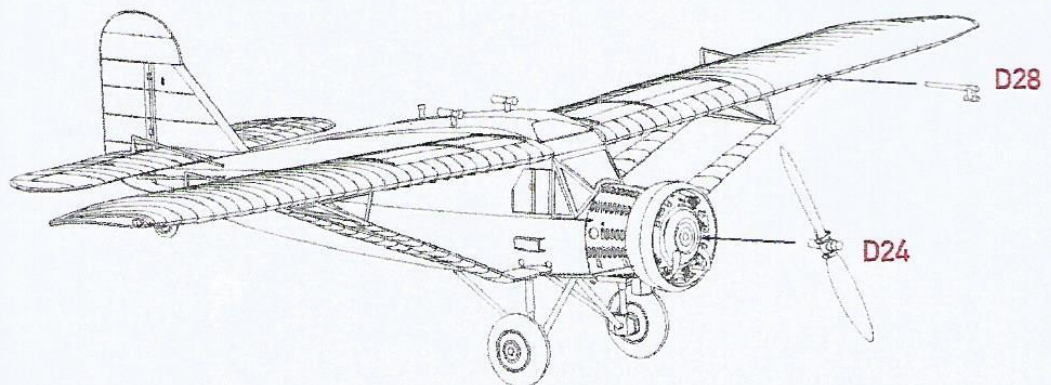
17



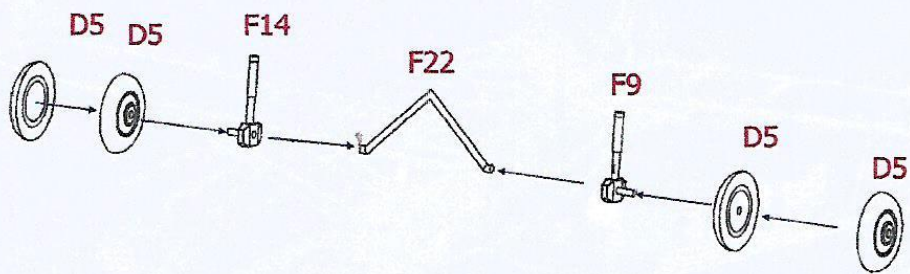
18



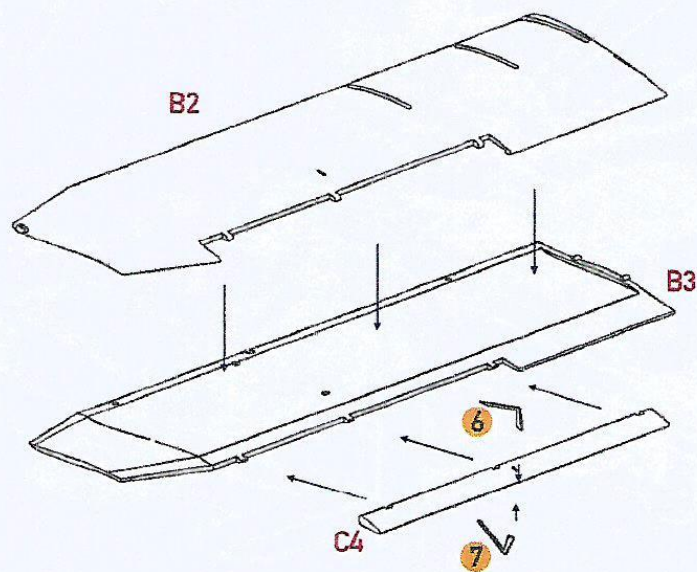
19



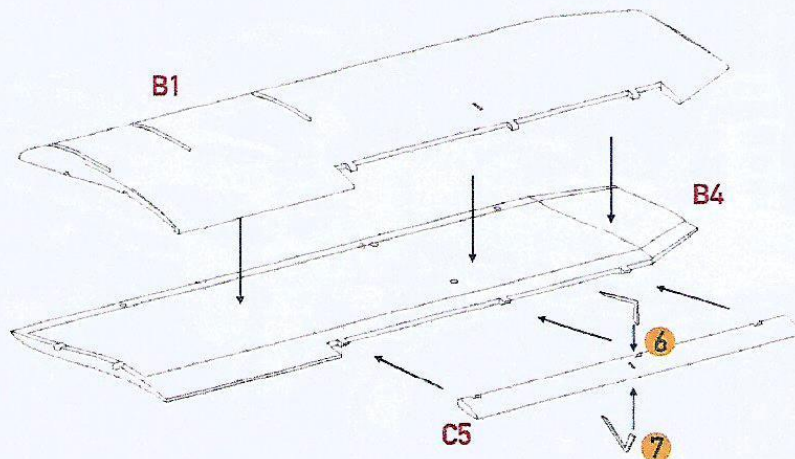
7

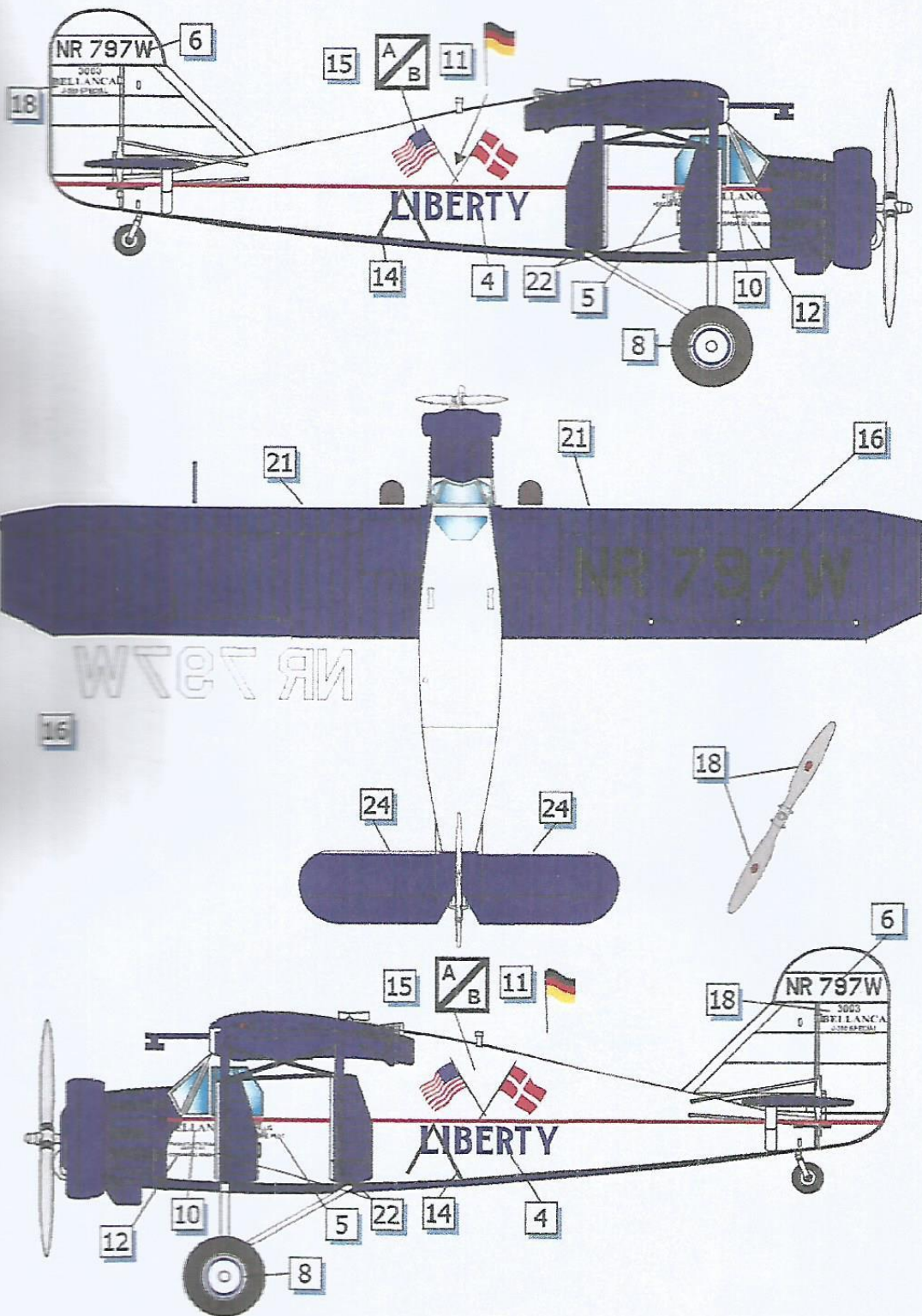


8



9





Bellanca J-300

