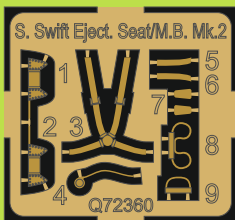


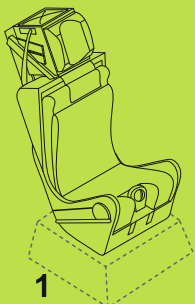
**Q72360 Supermarine Swift  
1/72 Ejection Seat (M.B. Mk.2)  
for Airfix kit**



**PP - Photo-etched  
parts**



**PUR - Polyurethane  
parts**



© Special Hobby 2020

Díly ohnuté popř. pokroucené vlivem teplotních změn a stárnutí materiálu, mohou být narovnány do požadovaného tvaru pomocí proudu teplé vody nebo vzduchu (fén na vlasy).

*Parts slightly distorted and bent owing to temperature changes or due to material ageing can be straightened to requested shape by hot water or hot air jet. (hair dryer)*

*This process can be repeated till result is entirely satisfactory.*

*K lepení použít kyanoakrylátové lepidlo!*

*Use cyanoacrylate (super) glue!*

*Kontaktní plochy doporučujeme před lepením odmastit.*

*It is recommended to ungrease the mating surfaces before assembly.*

**Visit our official website and e-shop at  
[www.cmkkits.com](http://www.cmkkits.com)**

**[www.specialhobby.eu](http://www.specialhobby.eu)**

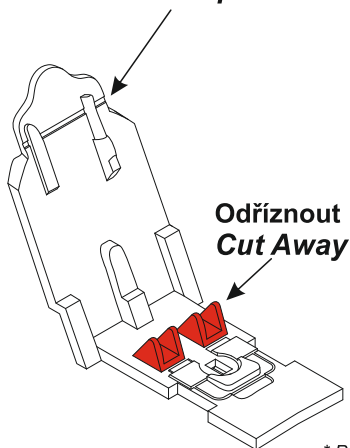
**[www.facebook.com/specialhobby/](https://www.facebook.com/specialhobby/)**

**CMK OTHER 1/72 SETS / OSTATNÍ SETY 1/72**

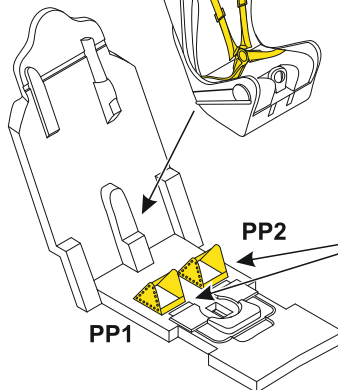
- 7440 Supermarine Swift Control Surfaces, for Airfix kit
- Q72346 SAAB Viggen Ejection Seat, for SH/Tarangus kit
- Q72338 AH-1Q/S Hughes M65 Telescopic Sight Unit, for Special Hobby kits
- Q72326 FH-1 Phantom Mainwheels and Nosewheel for Special hobby kit
- Q72325 Vampire Mk.5/9/T.11 Mainwheels and Nosewheel for Special Hobby/Airfix kit
- Q72314 A-4B/P Skyhawk Mainwheels and Nosewheel (early with spoke type hubs), for Airfix kit

Special Hobby, Mezilesí 718, Praha 9, 193 00, Czech Republic  
e-mail: [office@specialhobby.eu](mailto:office@specialhobby.eu)

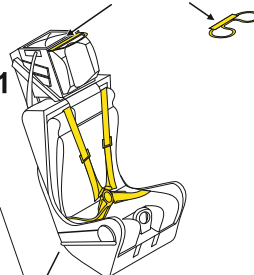
**Díl stavebnice/Kit part D11**



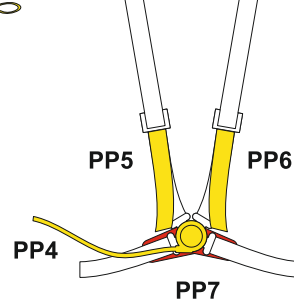
**PUR1**



**PP9 ? PP8 \***



**PP3**



**Složít/Fold**

*\* Pro sedačku modelu Supermarine Swift použijte díl PP9, při použití do jiných modelů PP8.  
For teh Swift seat, use PP9. For other types, use PP8.*