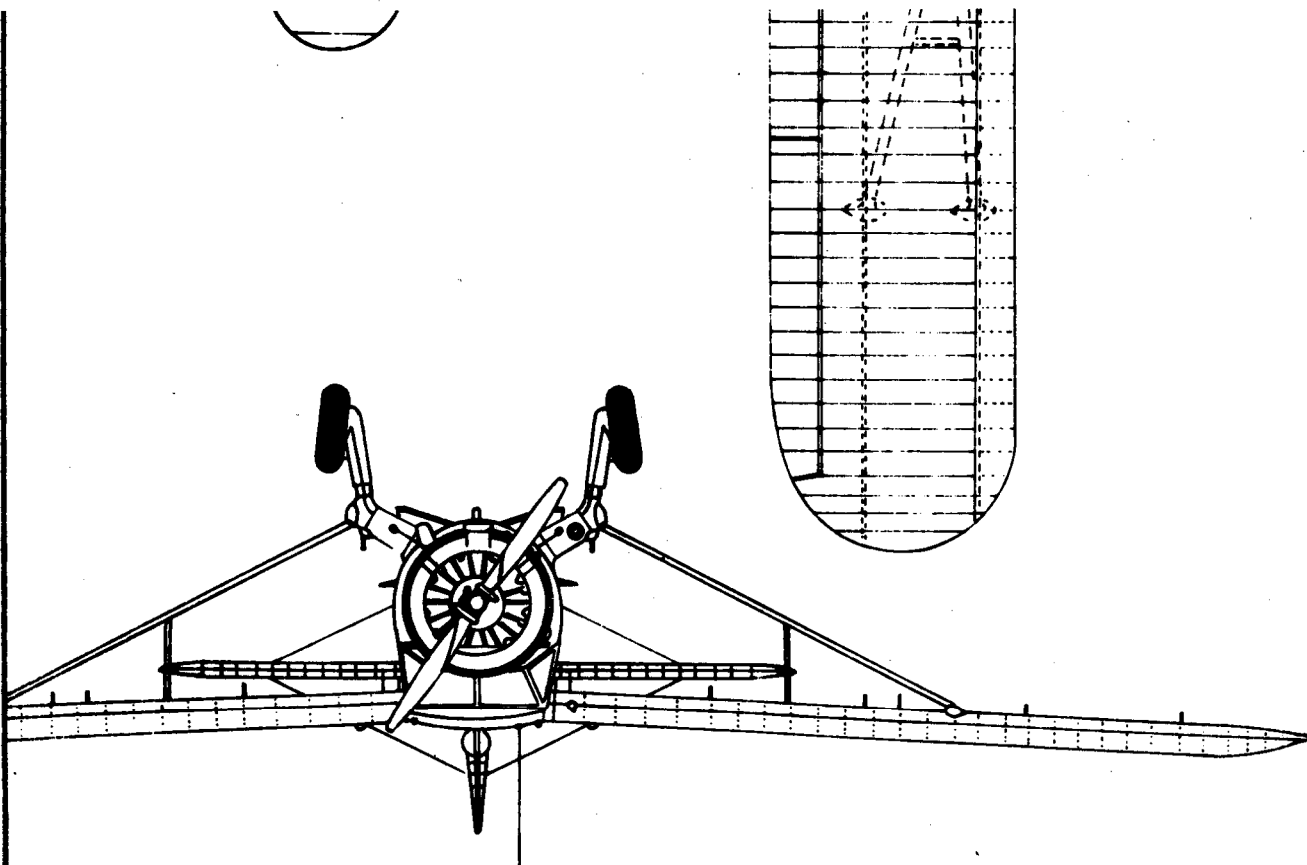


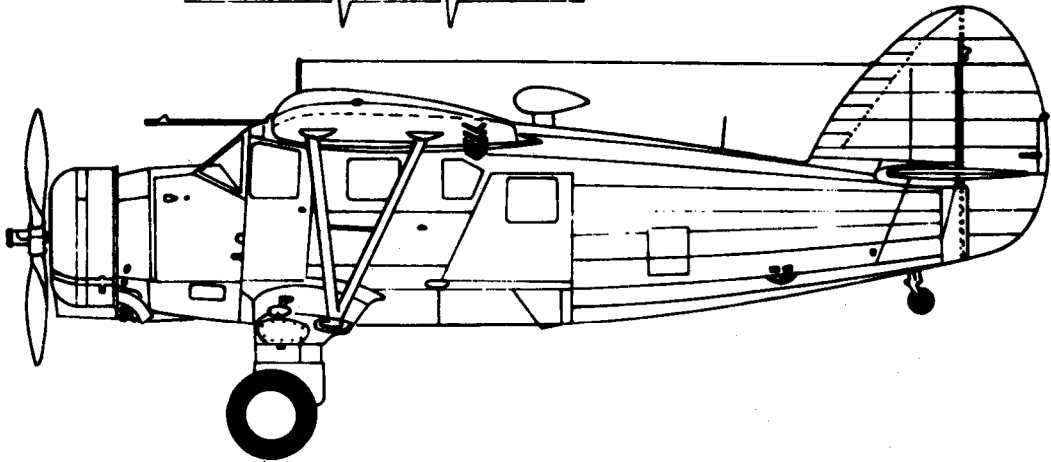
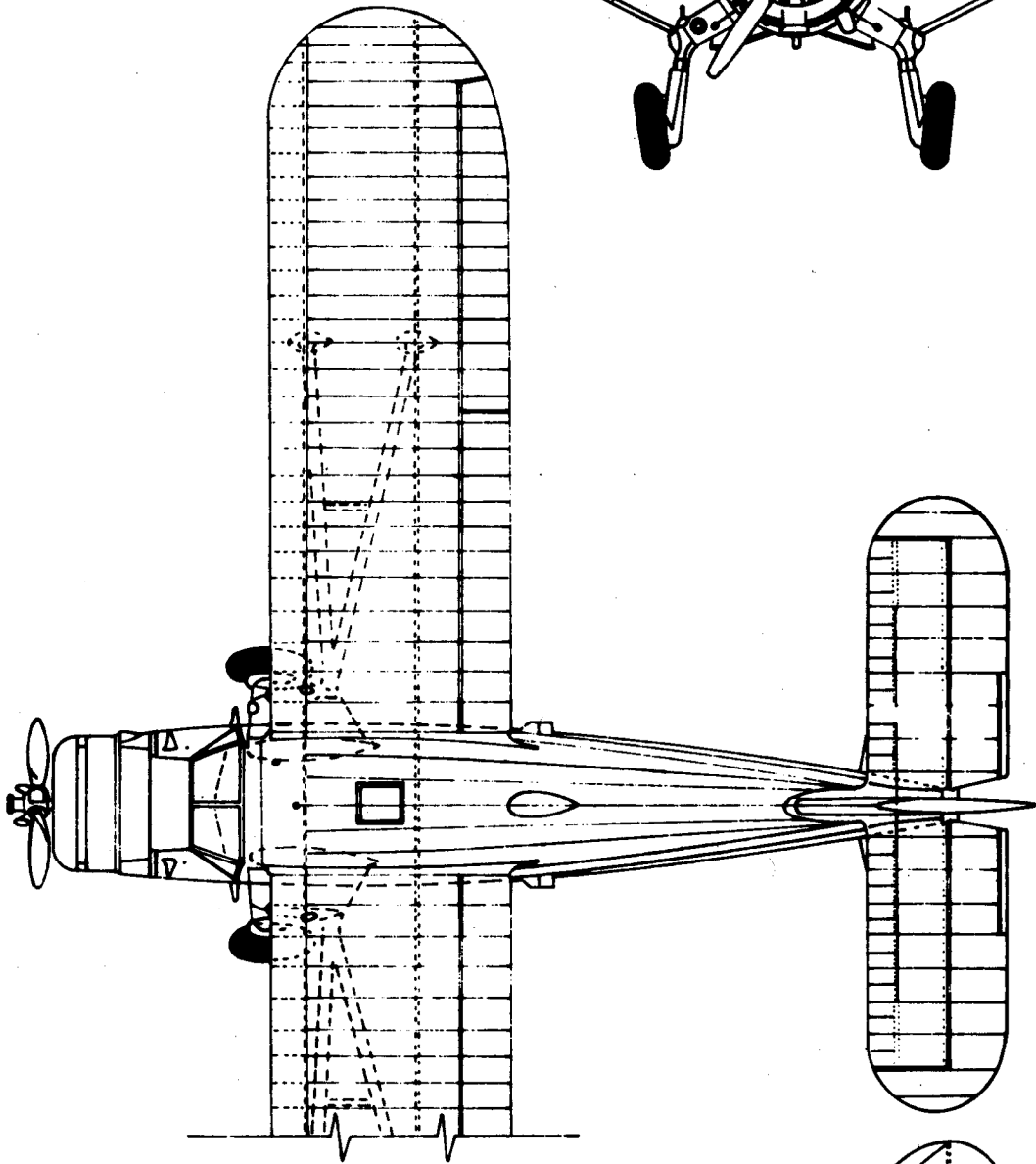
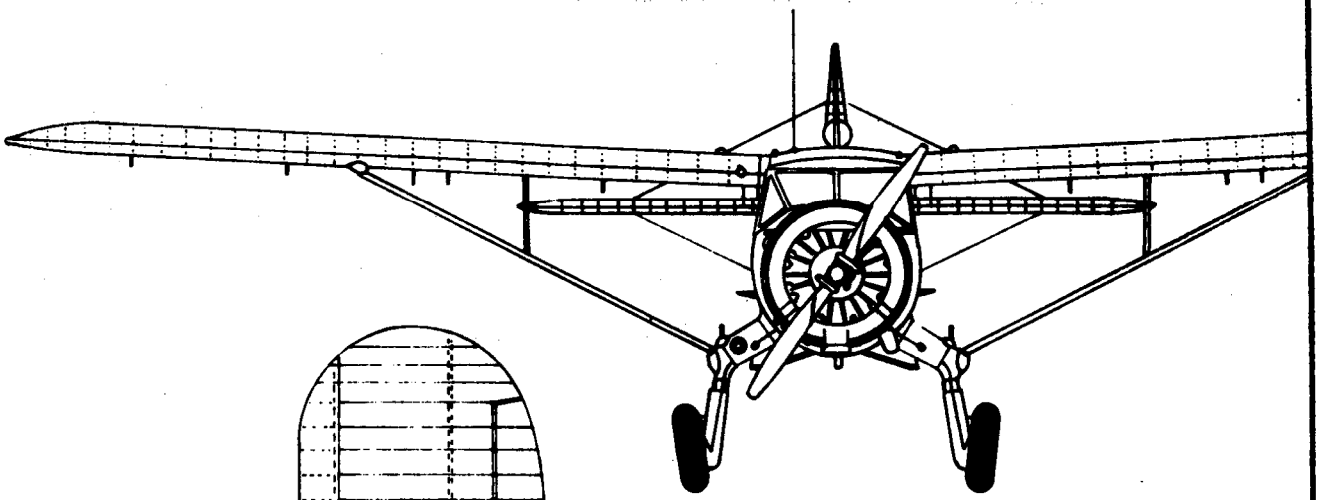
FORMAPLANE

NOORDUYN NORSEMAN

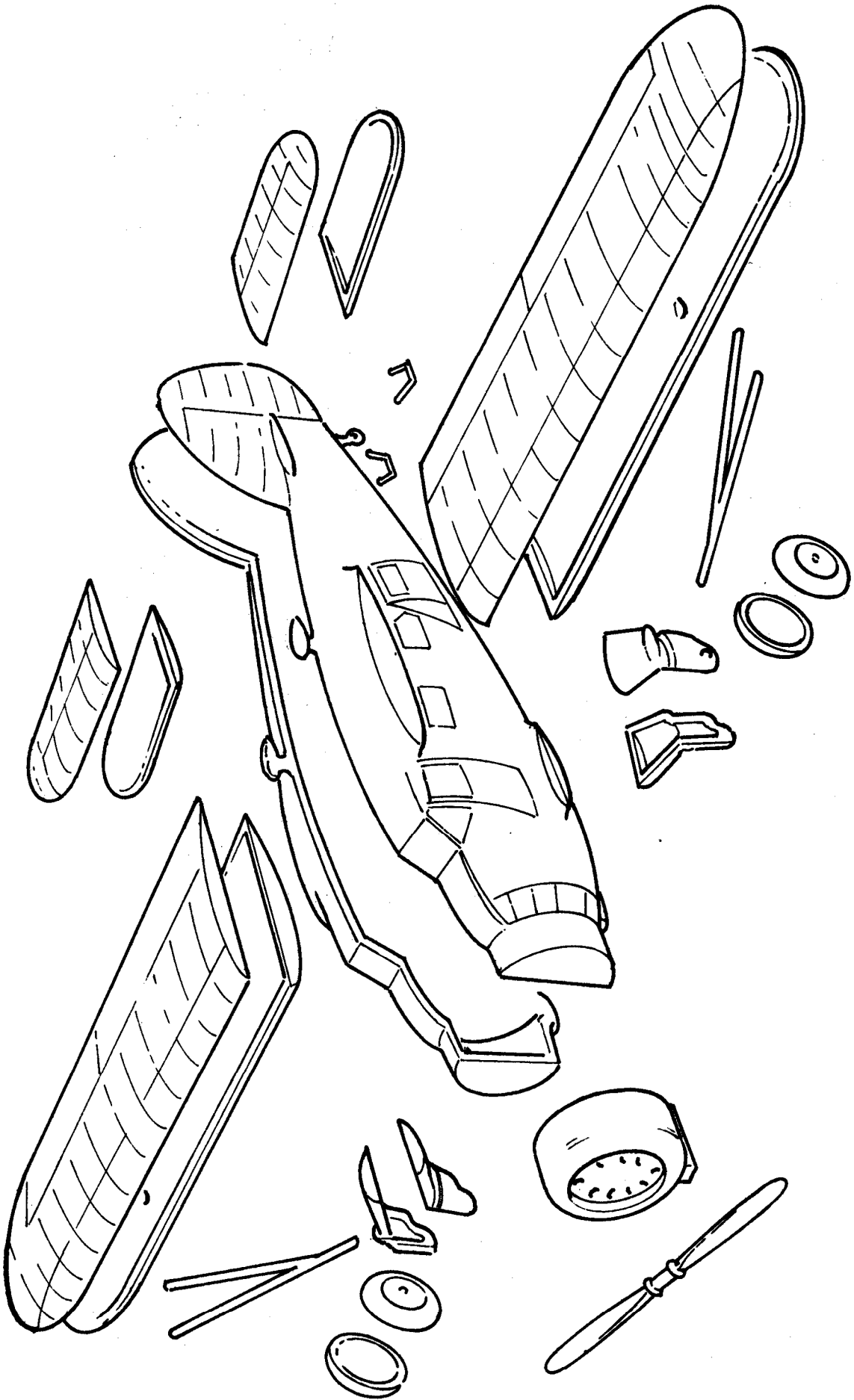
HISTORY:

First flown in 1935, the prototype Norseman was designed as a short-haul utility aircraft. Interchangeable land, float or ski undercarriages could be fitted, making it particularly suitable for operating conditions in Canada. First production aircraft were flown with a 450 h.p. Wright R-975-E radial engine, this version, the Norseman 11, being ordered by the Royal Canadian Mounted Police, various government agencies, commercial airlines and smaller transport operators. Later versions had the higher rated 600 h.p. Wasp R-1340 engine, this series being known as the Norseman IV. Originally designed for civil use the Norseman entered service with the R.C.A.F. in 1940. By 1942 the U.S.A.A.F. had ordered over 700 of these aircraft which carried the designation C-64-A. Under lease-lend the Norseman also saw service with the R.A.F., R.A.A.F., and the Brazilian Air Force. The famous band-leader Glen Miller was tragically lost whilst flying to Europe soon after D-Day in a C-64-A. The Norseman had an extremely successful career and became the most widely used Canadian war-time aircraft, several of which are still flying today mainly in Canada.





NOORDUYN NORSEMAN

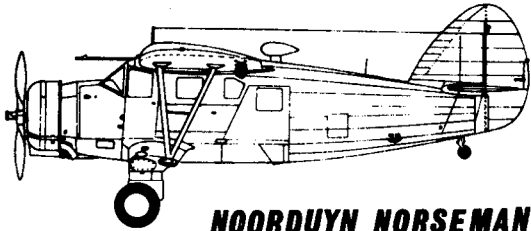


MAN

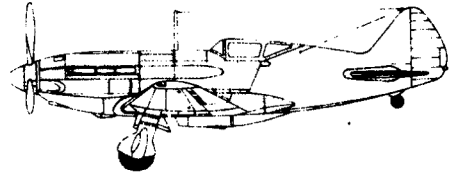
FORMA PLANE

Made in England

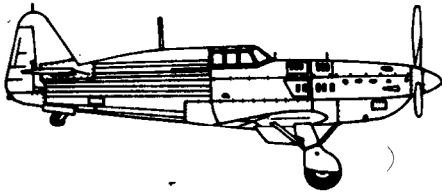
VAC·FORM AIRCRAFT/KITS PRODUCED IN 1:72nd SCALE



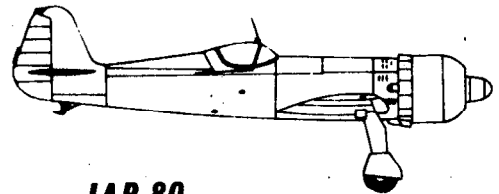
NOORDUYN NORSEMAN



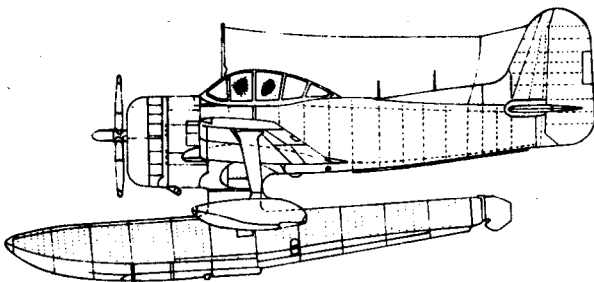
MI G 3



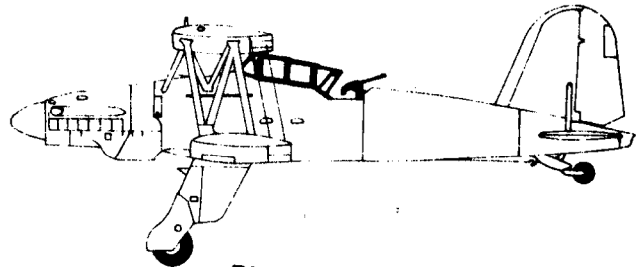
IK-3



IAR 80



CURTISS SEAHAWK



Fi 167A-0



HAWKER SIDDELEY NIMROD

Distributed in England by B.M.W. MODELS LTD,
327/9 HAYDONS RD,
LONDON S.W.19.