

AAmerican

McDONNELL DOUGLAS MD-82

IN 1/144 SCALE

**MINICRAFT
MODEL KITS**



With the introduction of the Douglas DC-3 into airline service in 1936, air transportation took a giant leap forward. The DC-3 was built in greater numbers than any other airliner, reaching 1,000 units by the time it was replaced by more modern machines after World War II.

However, the DC-3 continued in commercial service, and in many cases, was still the preferred type for short to medium range air routes. The DC-3 became an anomaly, a relatively small, 20 passenger airliner serving short routes alongside more modern types developed during the war. What was needed was modern twin-engined all-purpose airliner with the economy, durability and versatility of the legendary capabilities of the old "Gooney Bird".

Many new types were built, including piston, turboprop and all-jet powered planes which became operational, but none ever achieved the popularity or reached the 1,000 unit record set by the DC-3. Then, in the mid '60s, Douglas introduced the DC-9.

The DC-9 was truly intended to be a replacement for not only the DC-3, but for many of the post-war twin-engined piston and turboprop airliners. The

placement of the engines was chosen because it left the wings clear, reduced cabin noise and had favorable engine-out characteristics. It also lent itself to later expansions to carry more passengers and fuel.

So many stretches and modifications had been made to the DC-9 by 1977, that it became clear a whole new generation of the plane had been developed, so the company decided to label it DC-9-80. The first flight of this model took place on October 19, 1979, with the first commercial flight occurring in October, 1980. In 1982, the series was officially identified as MD-80.

American Airlines received their first MD-80 type in July of 1985. Eventually, American Airlines received 260 MD-82's, one of them being the 2,000th example of the versatile DC-9 type airliner. The total production of the MD-80 version came 1,160 units.

The MD-82 can carry up to 156 passengers at a speed of 577 mph.



Cement
Coller
Kleben
Pegar
Incollare
Colar
Kleven



DO NOT Cement
Ne pas Coller
Nicht Kleben
No Pegar
Non Incollare
Nao Colar
Niet Kleven

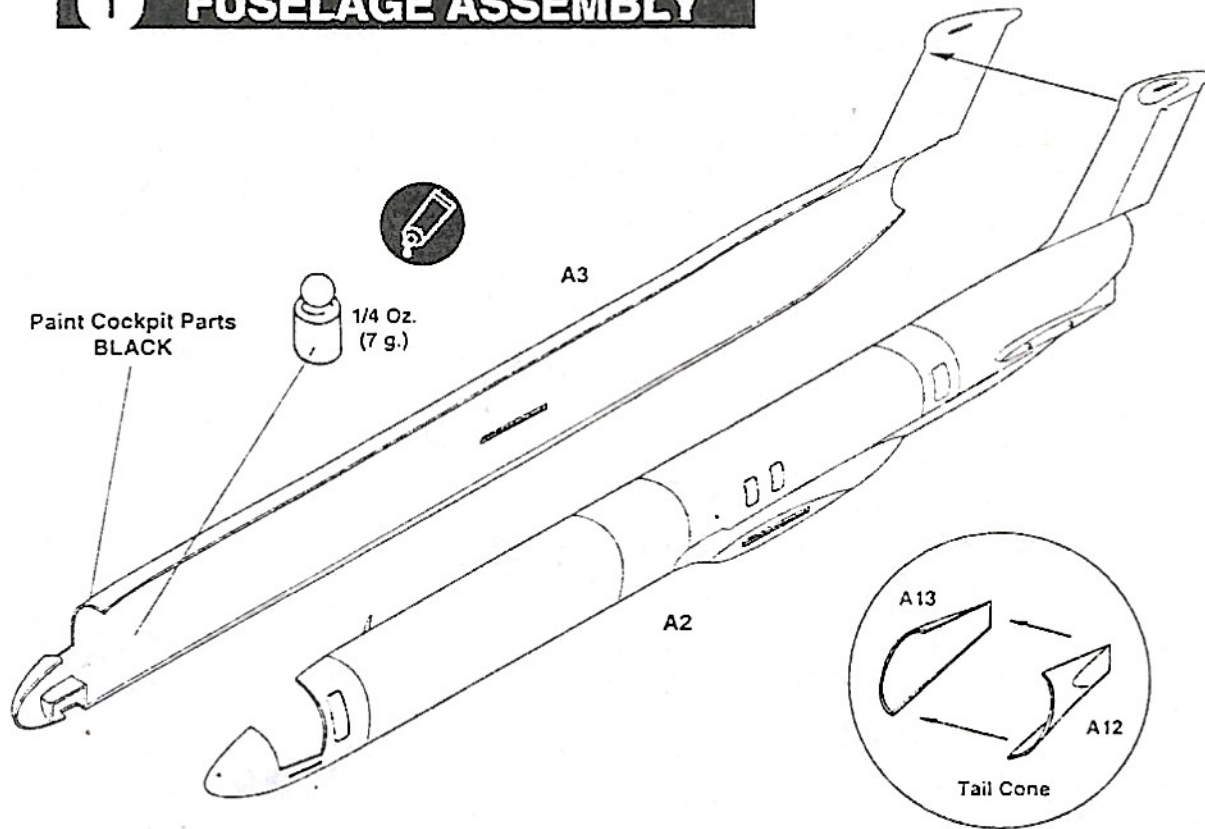


Cut away
Couper
Scheiden
Cortar
Tagliera
Cortar
Snijden

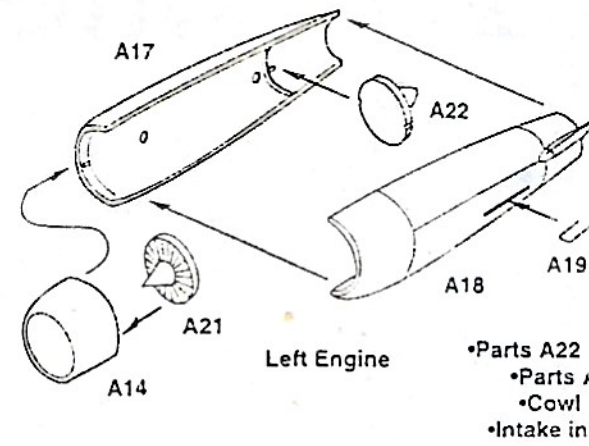


Optional parts
Choix
Auswahmoghlichkeit
Eleccion
Scelta
Opaco
Kauza

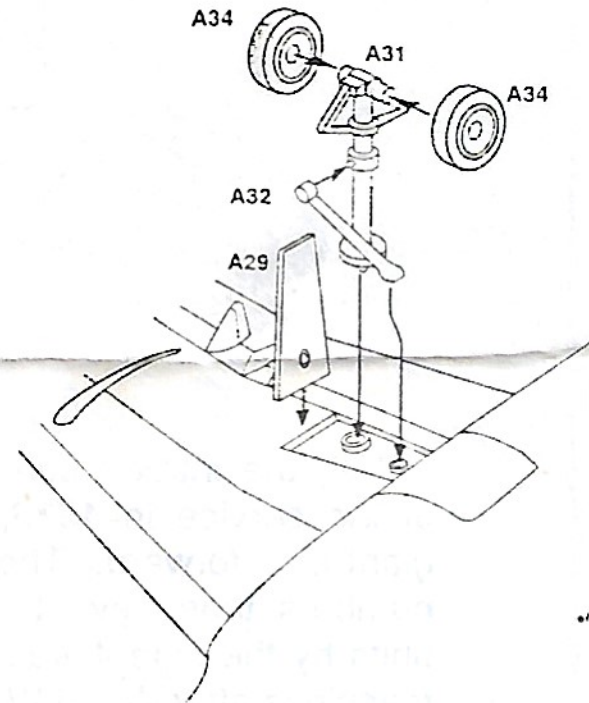
1 FUSELAGE ASSEMBLY



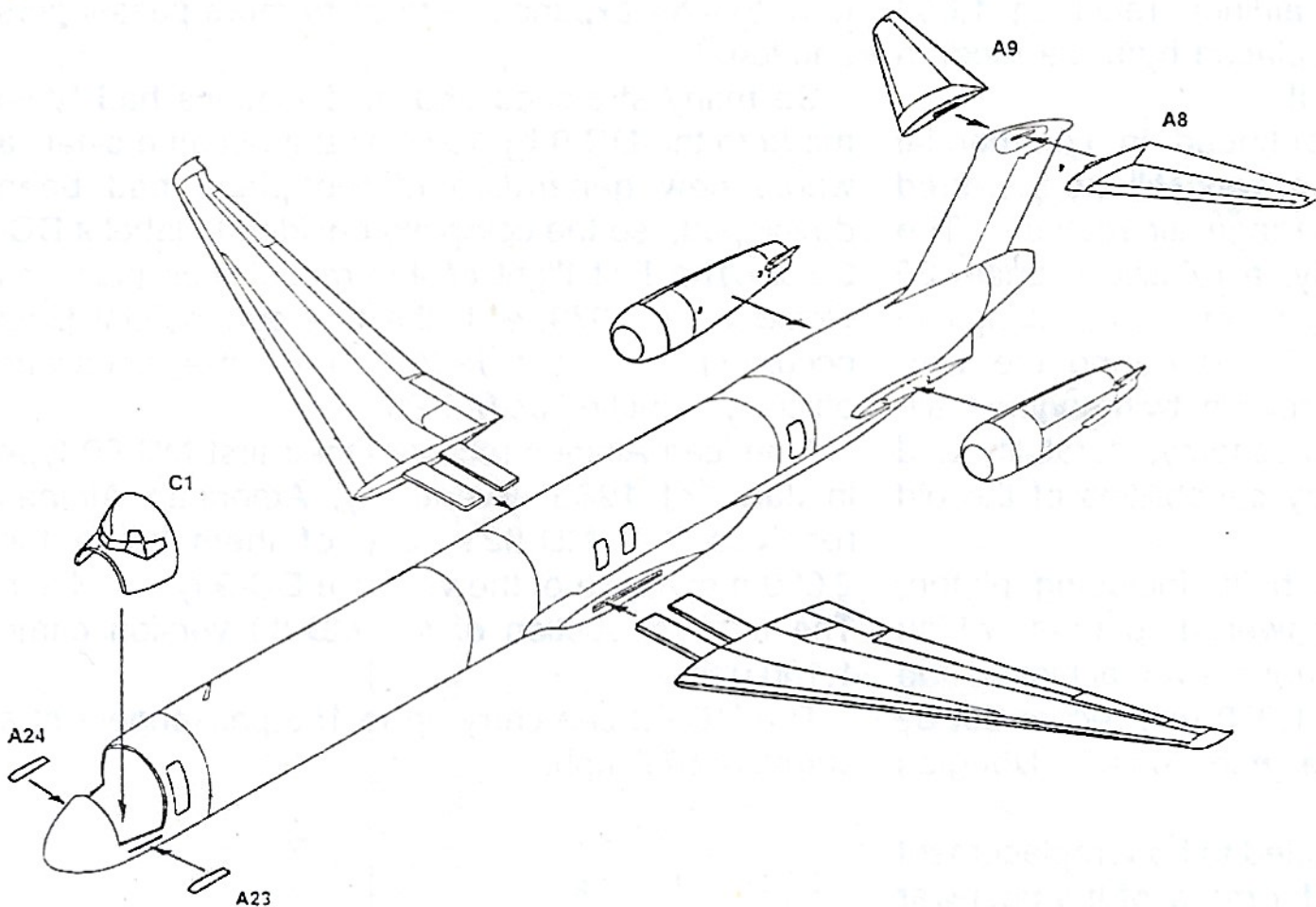
2 ENGINES



5 MAIN LANDING GEAR



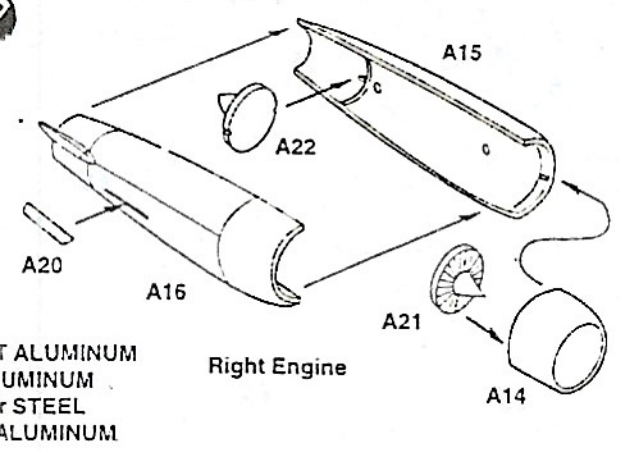
4 MAIN COMPONENT ASSEMBLY



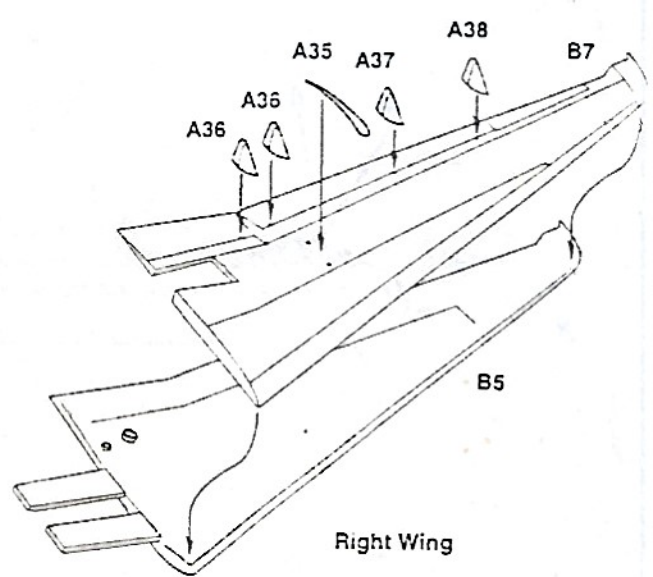
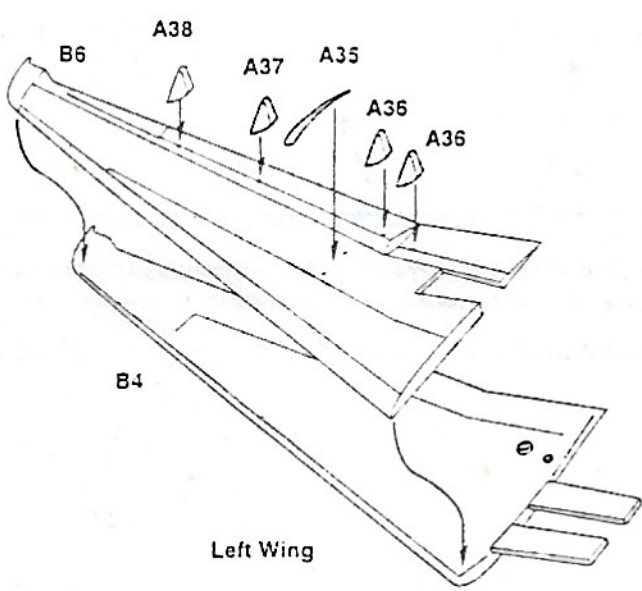
6 NOSE LANDING GEAR

A39

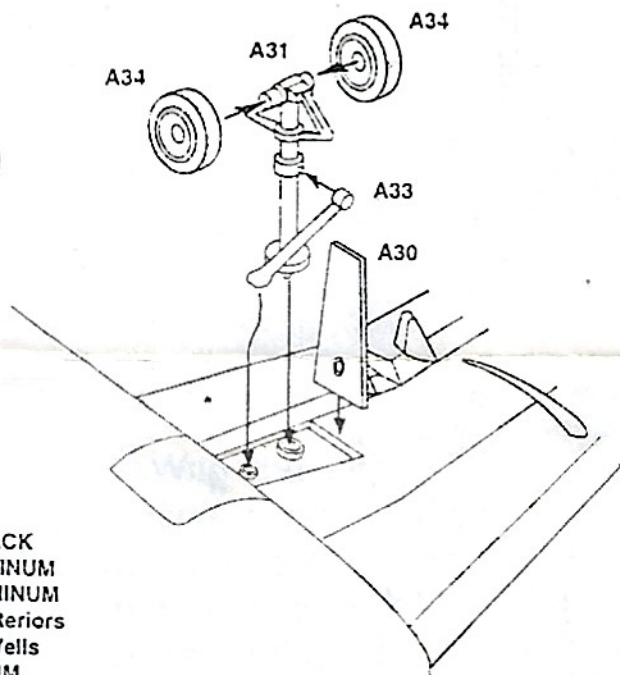
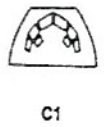
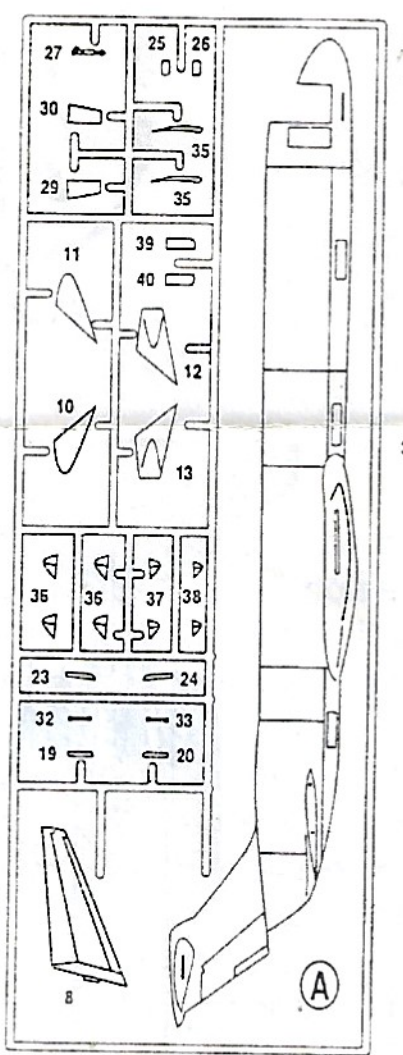
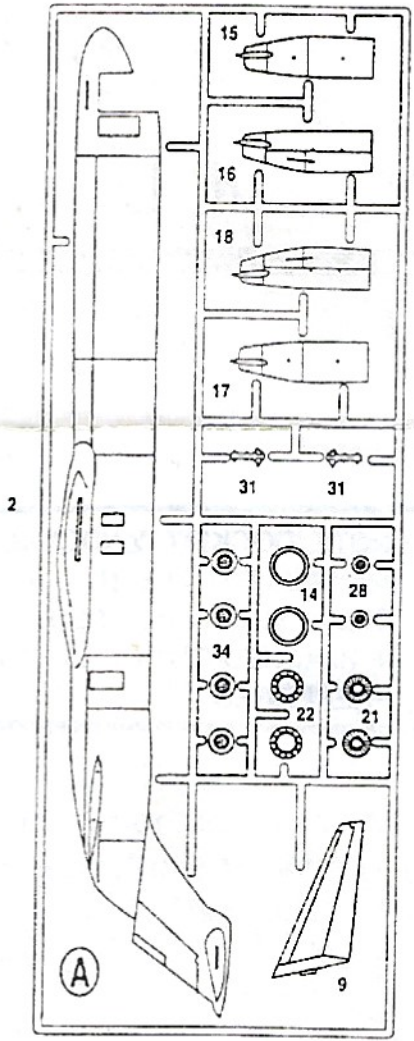
3 WINGS



ALUMINUM
ALUMINUM
STEEL
ALUMINUM

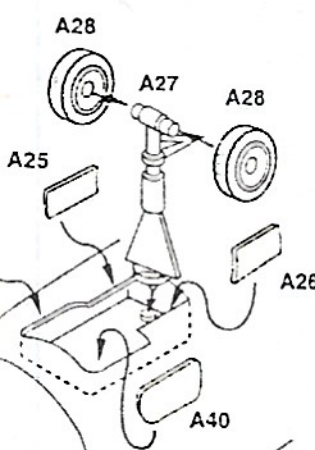


PARTS LAYOUT DIAGRAM

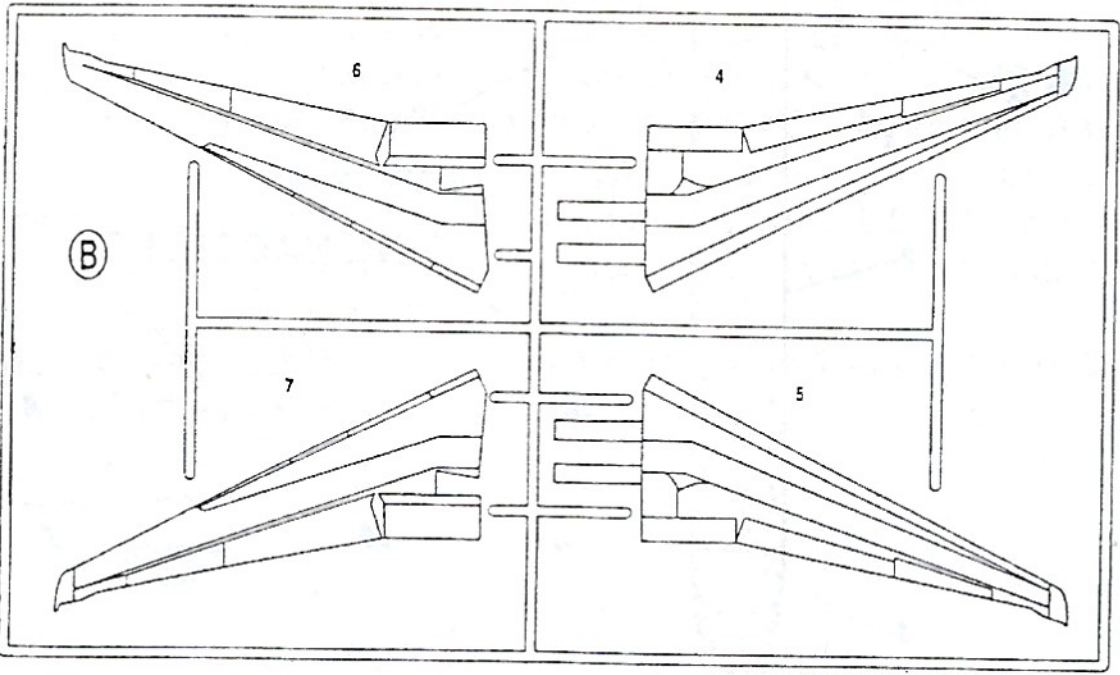


BLACK
ALUMINUM
ALUMINUM
Interior
Gear Wells
ALUMINUM

LANDING GEAR

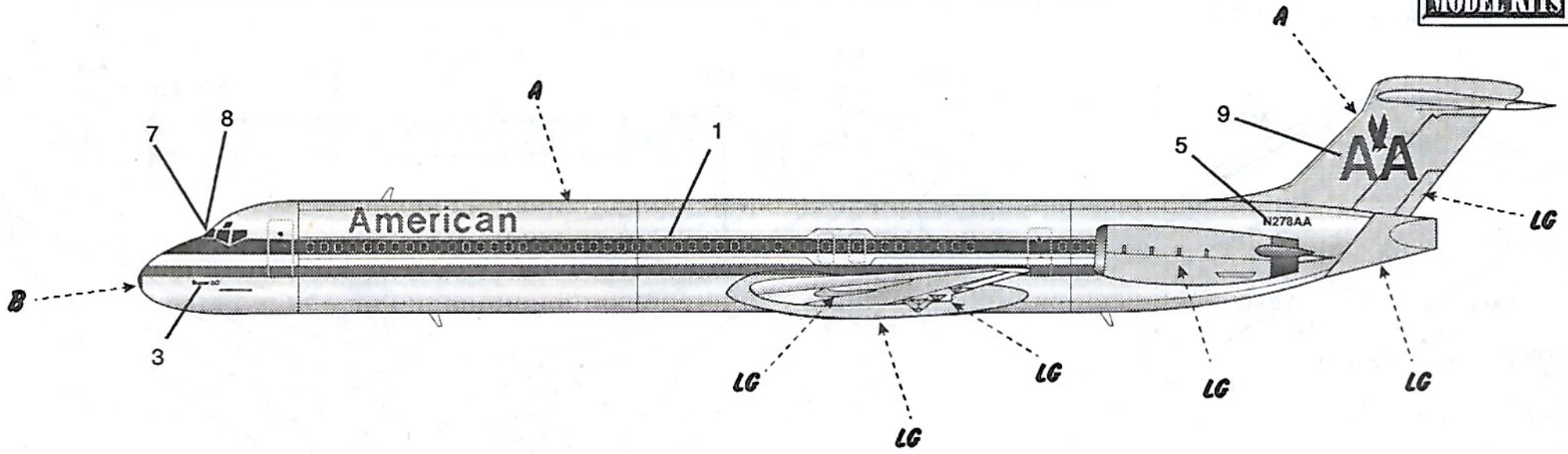


- Tires BLACK
- Hubs ALUMINUM
- Struts ALUMINUM
- Gear Door Interiors and Gear Wells ALUMINUM







AMERICAN AIRLINES McDONNELL DOUGLAS MD-82

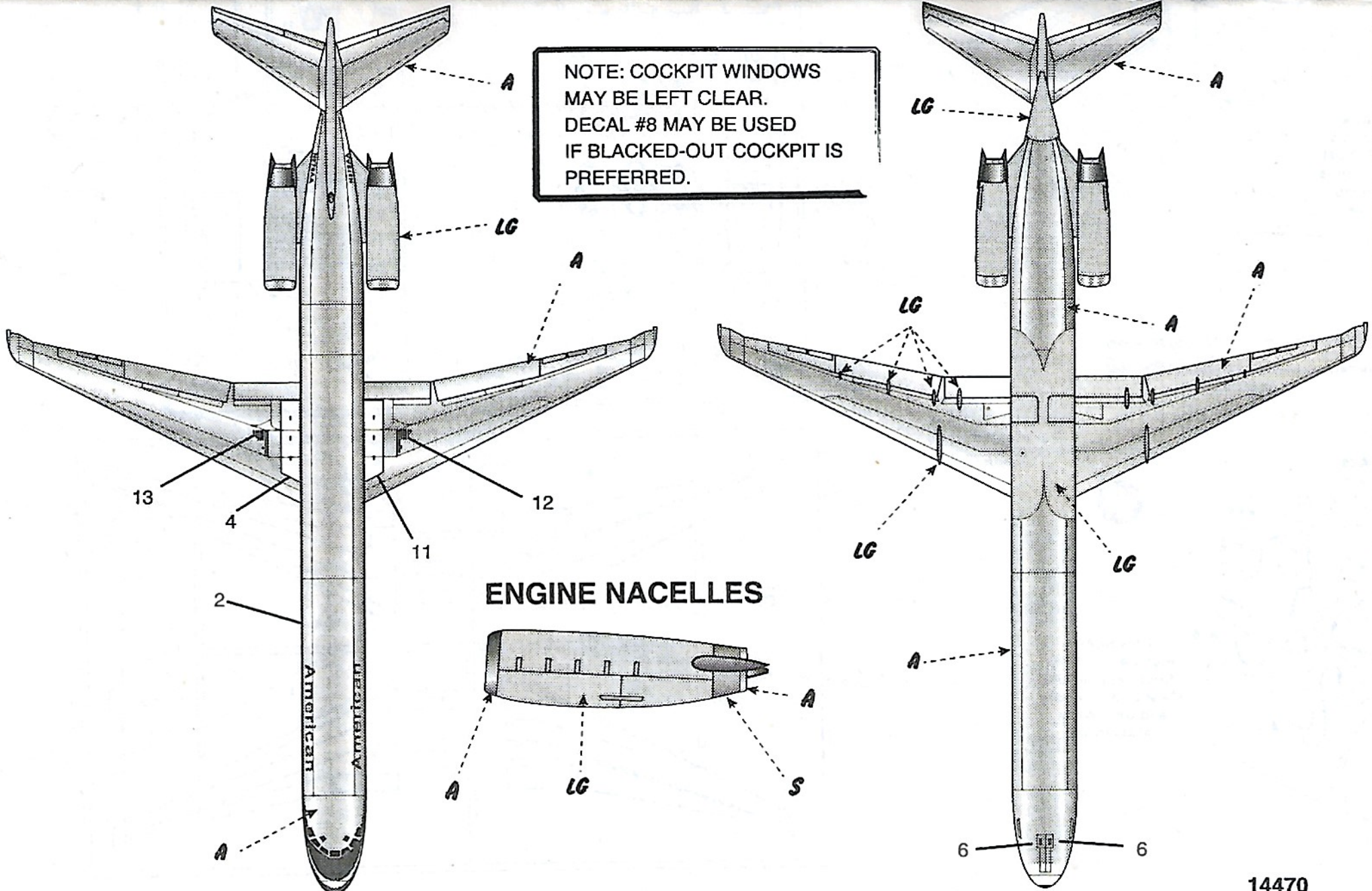
MINICRAFT
MODEL KITS



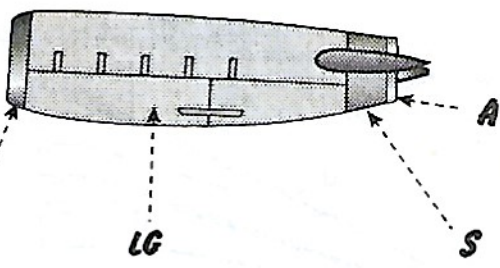
PAINT COLORS

B		BLACK	LG		LIGHT GRAY FS 16440
S		STEEL	A		ALUMINUM

NOTE: COCKPIT WINDOWS
MAY BE LEFT CLEAR.
DECAL #8 MAY BE USED
IF BLACKED-OUT COCKPIT IS
PREFERRED.



ENGINE NACELLES



American

invisi-clear

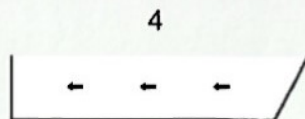
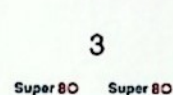
AMERICAN AIRLINES MD-81 #14470

MINICRAFT
MODEL KITS



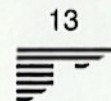
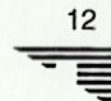
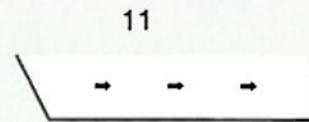
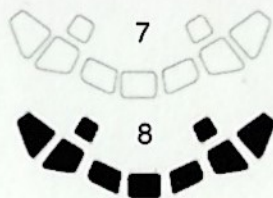
SCALE-MASTER®
DECALS

American



5
N278AA
N278AA

6
278
278



© 2001 MINICRAFT MODELS INC.
ALL RIGHTS RESERVED