

1/72 SCALE MODEL CONSTRUCTION KIT

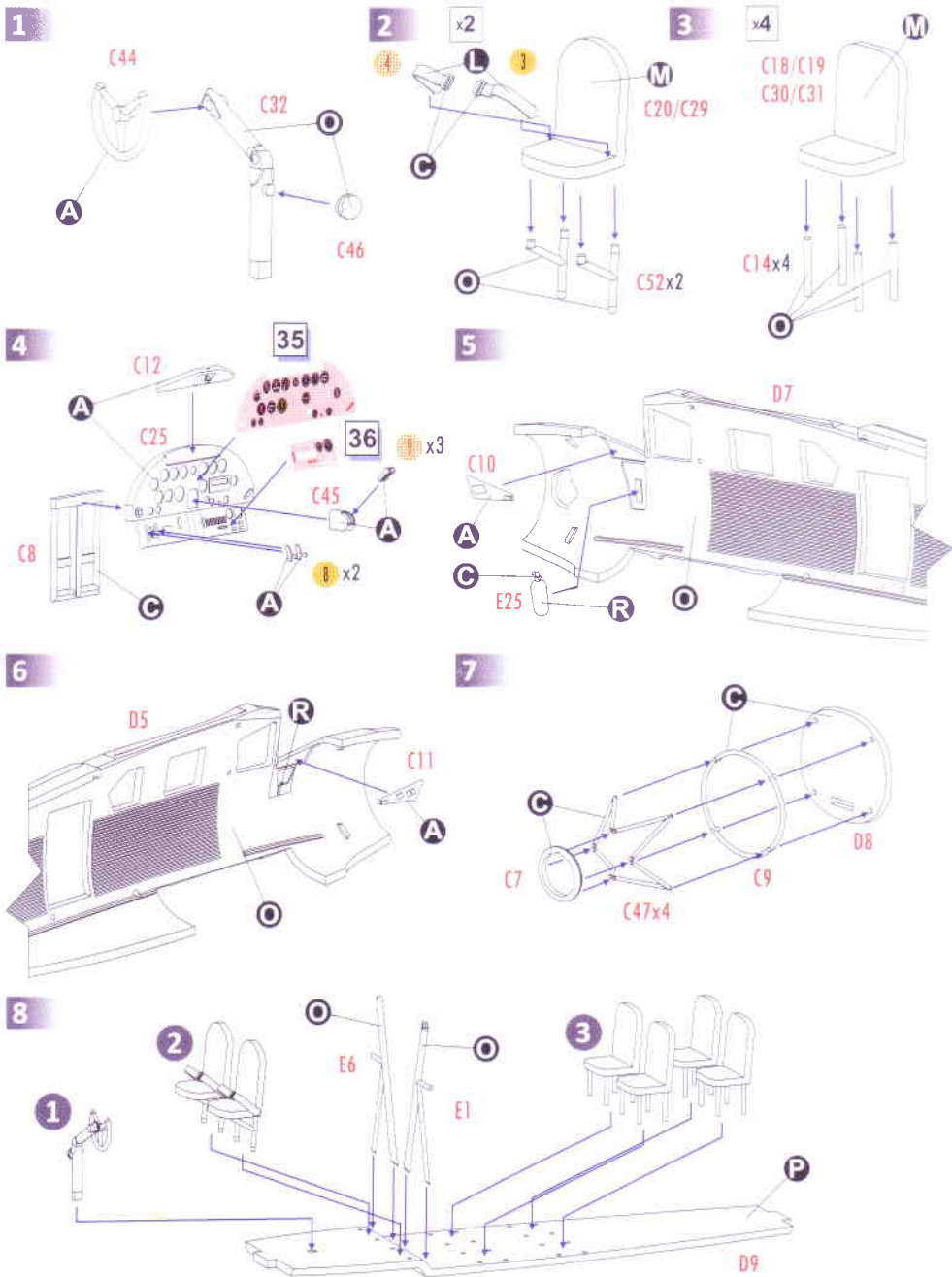


# Noorduyn Norseman Mk.IV

DW 72034

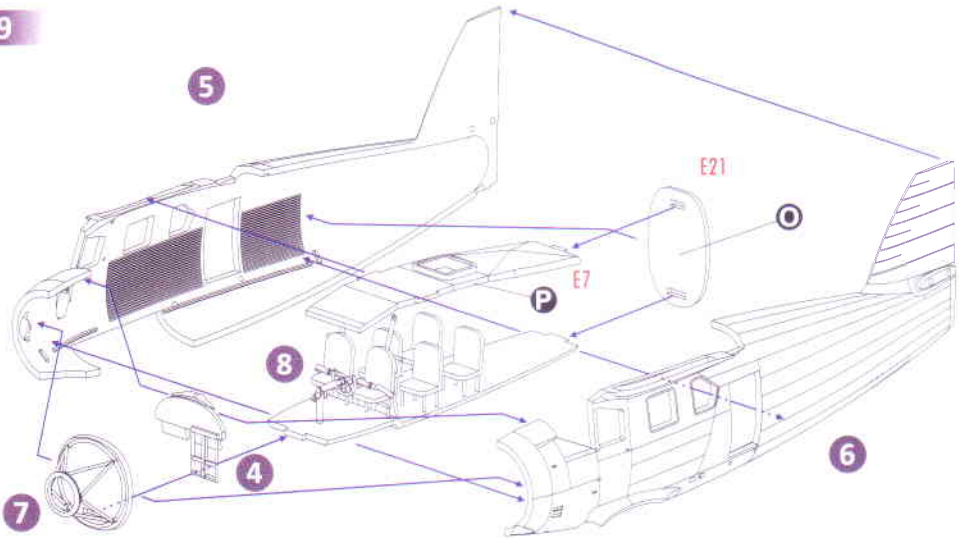


# ASSEMBLY INSTRUCTION

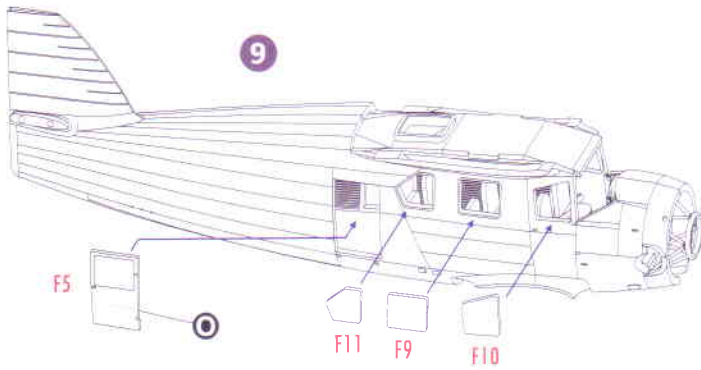




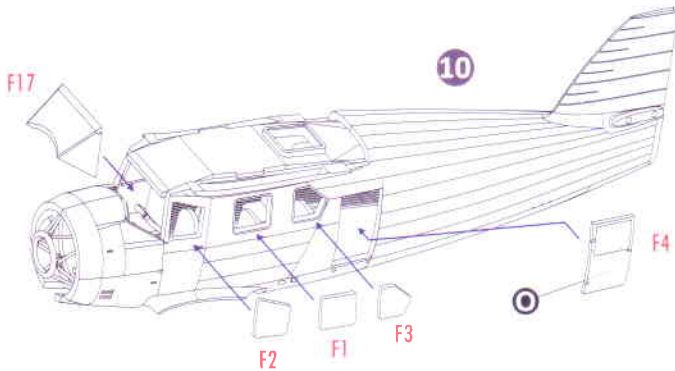
9

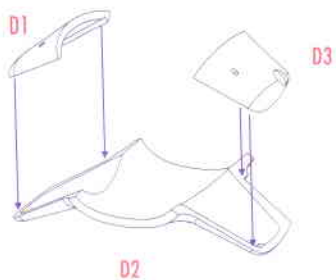
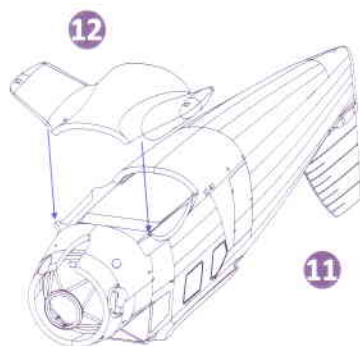
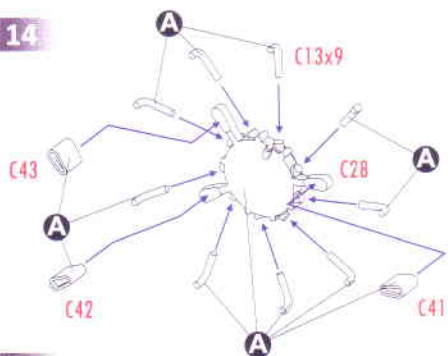
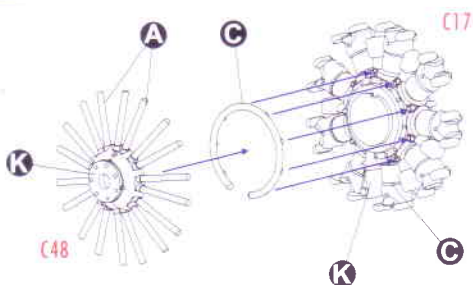
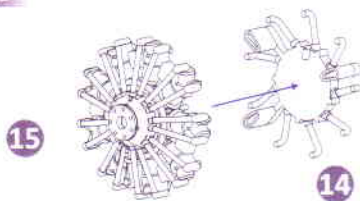
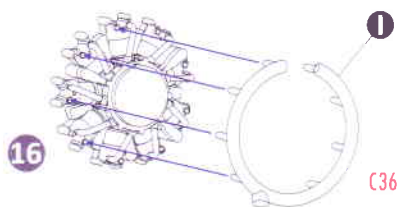
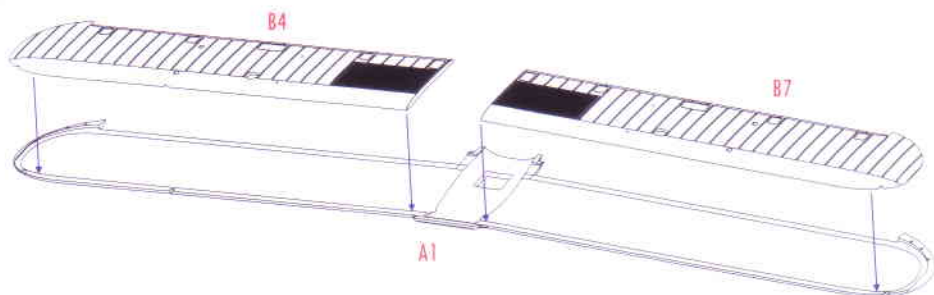


10

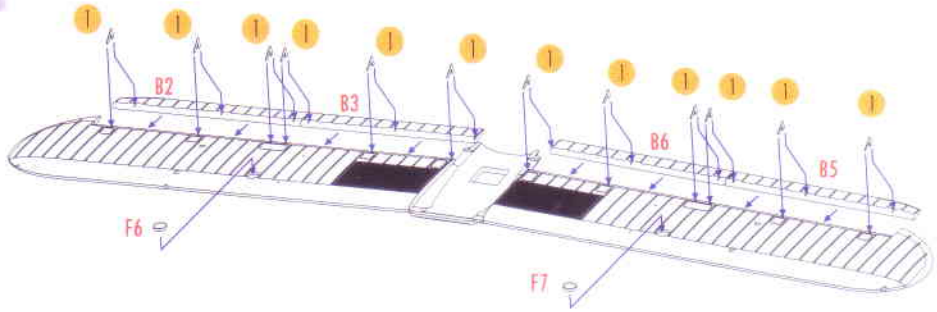


11

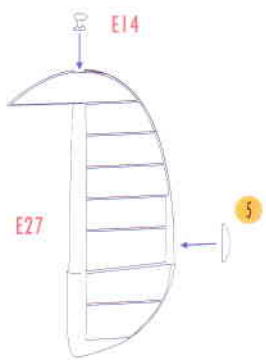


**12****13****14****15****16****17****18**

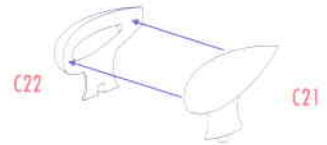
19



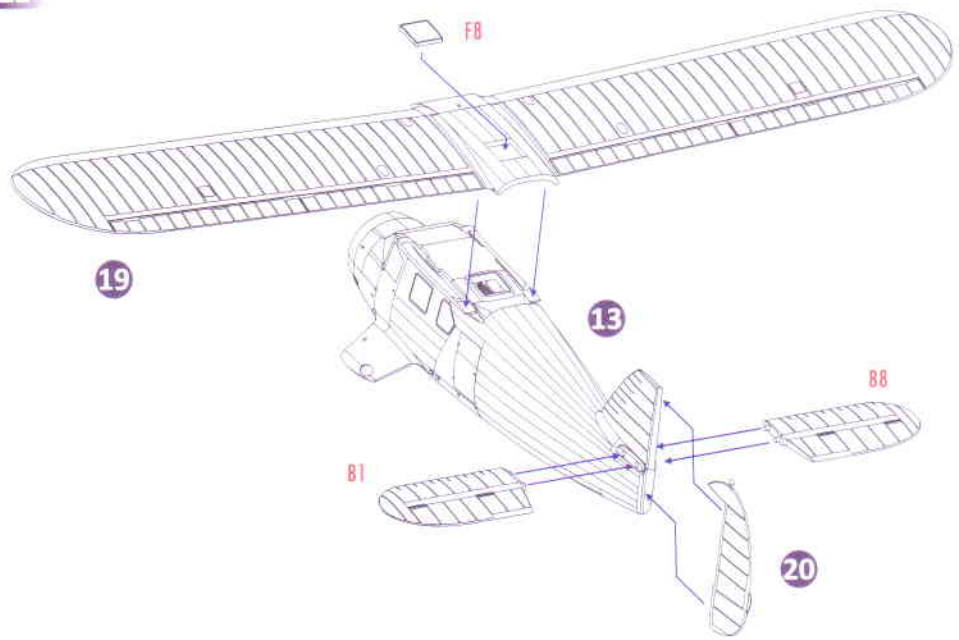
20

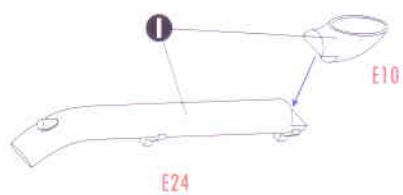
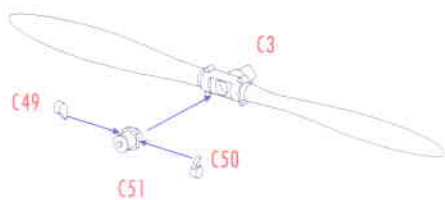
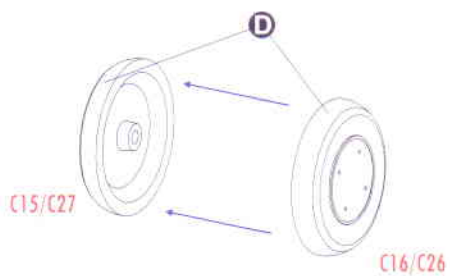
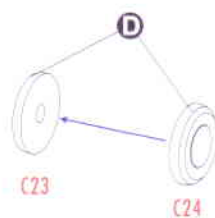
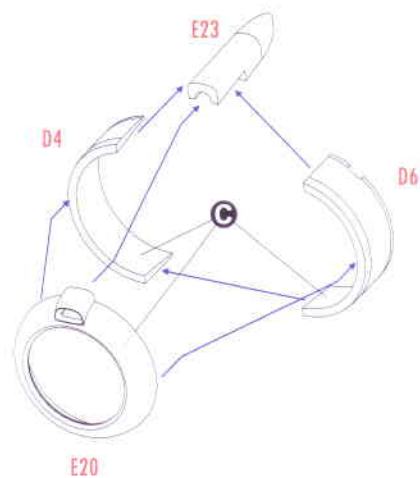
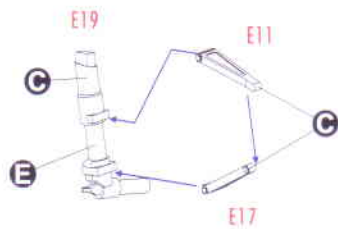
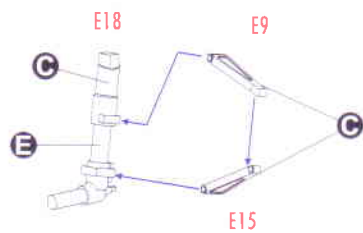


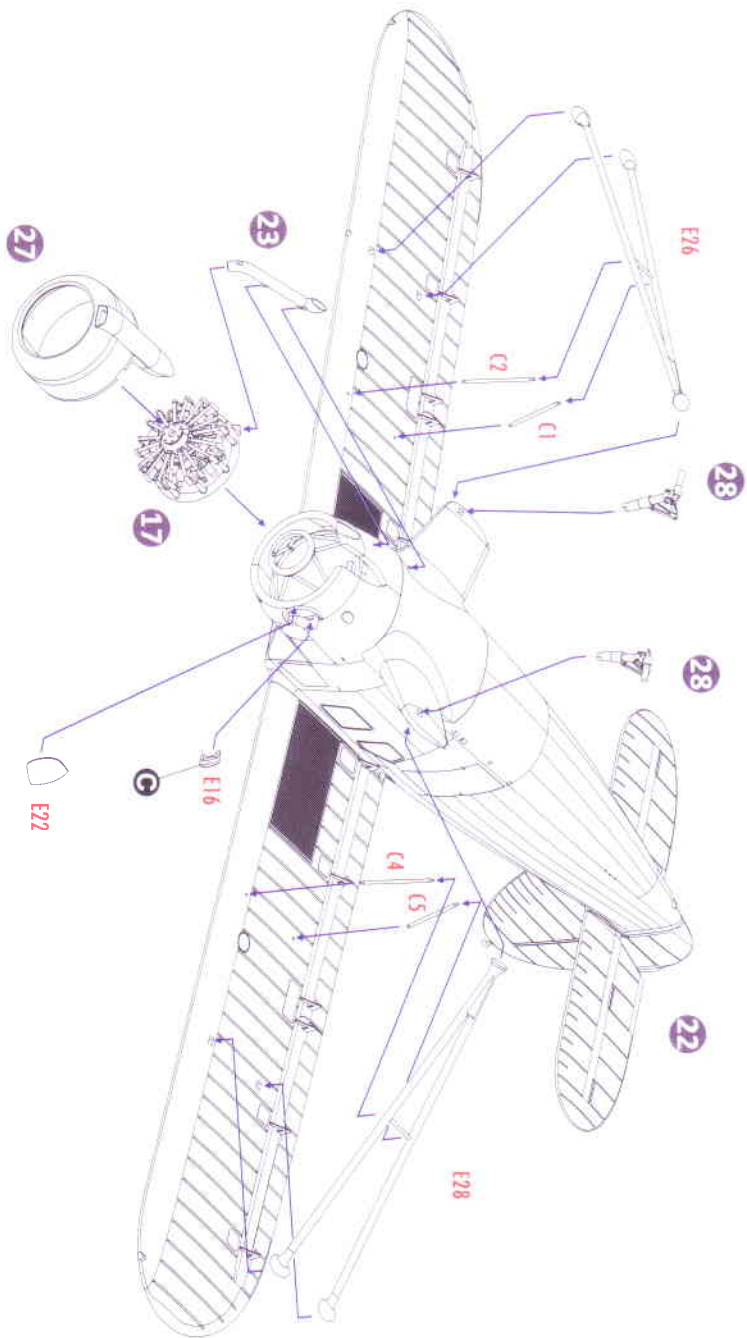
21



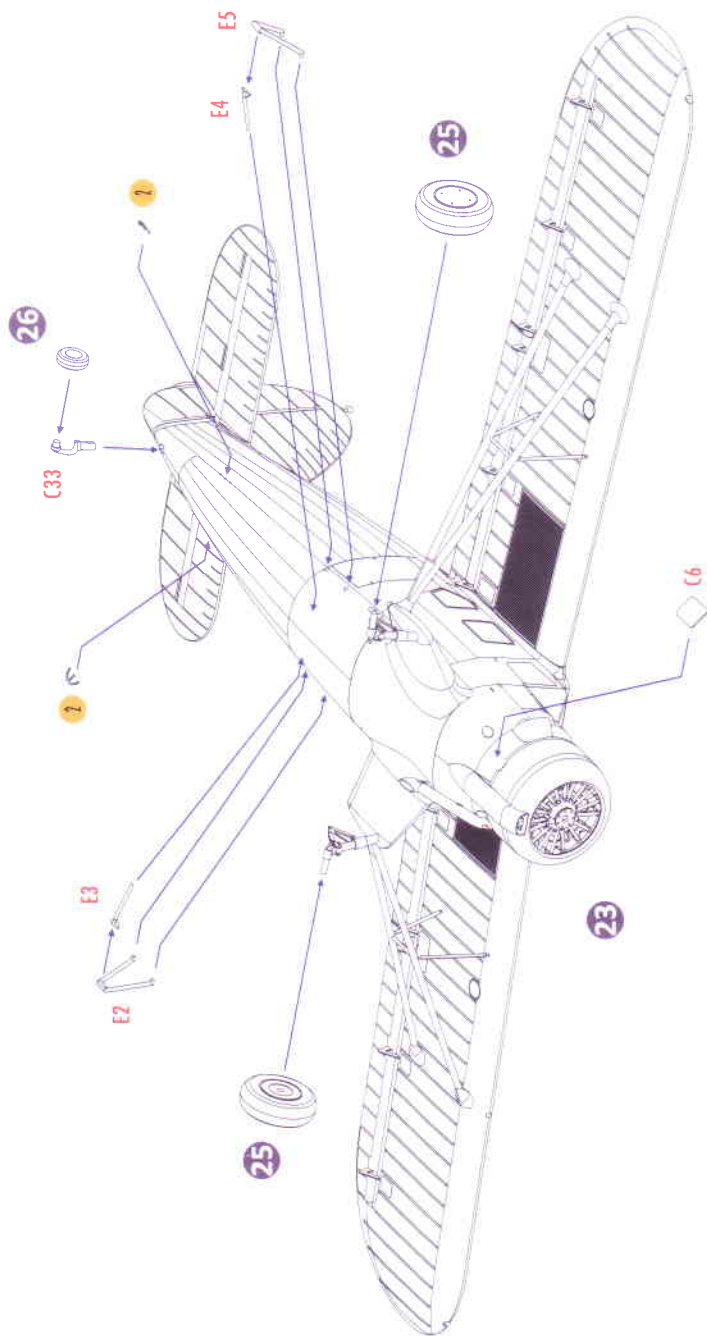
22



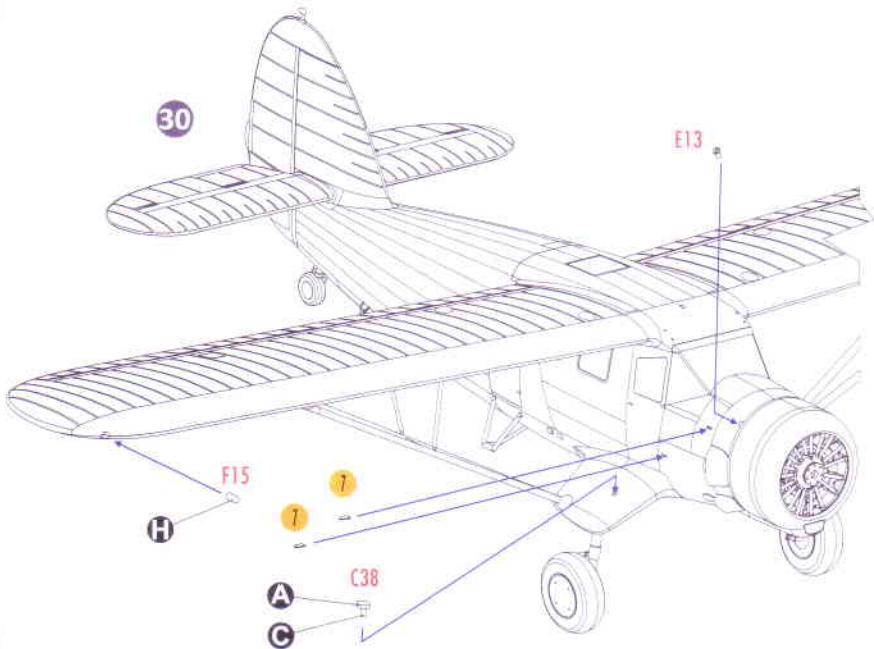
**23****24****25****26****27****28**



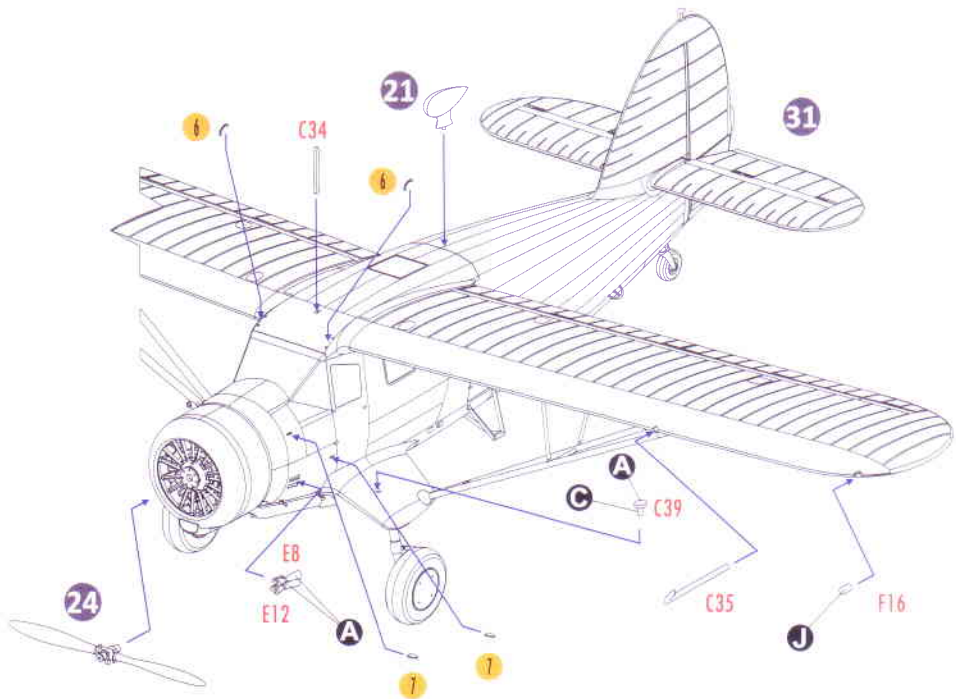


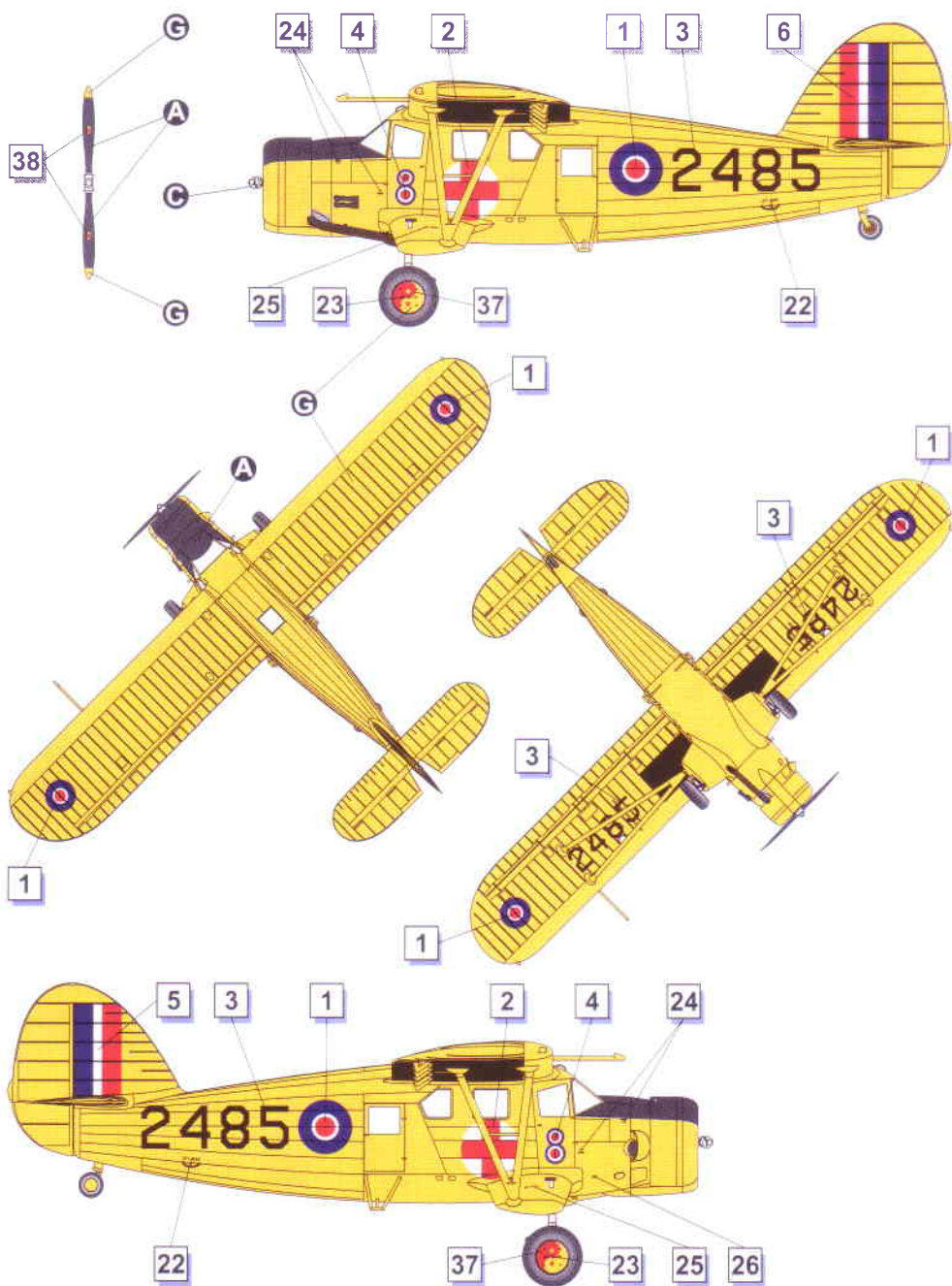


31

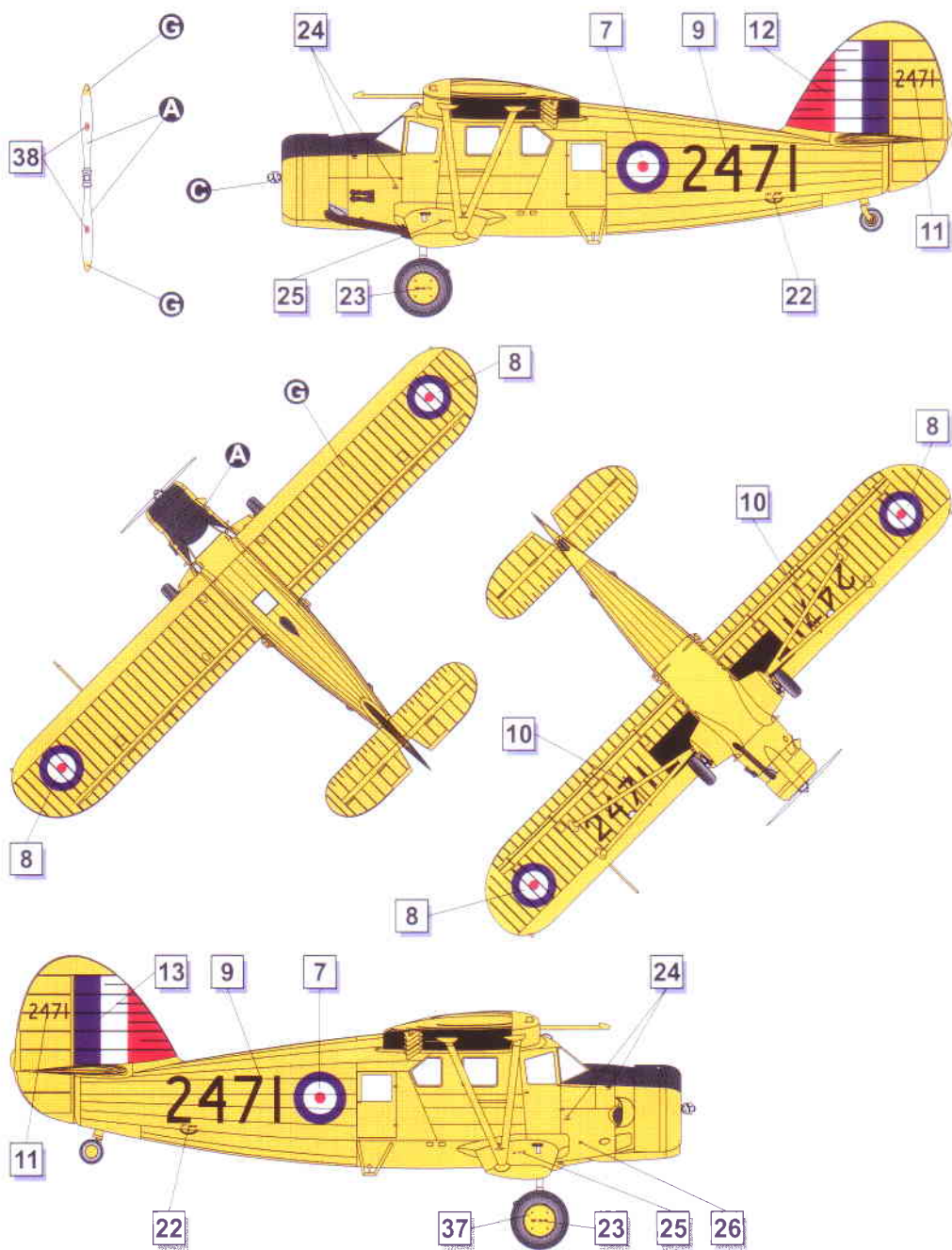


32



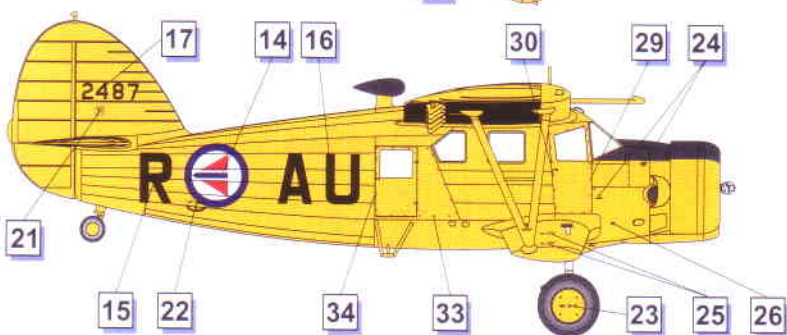
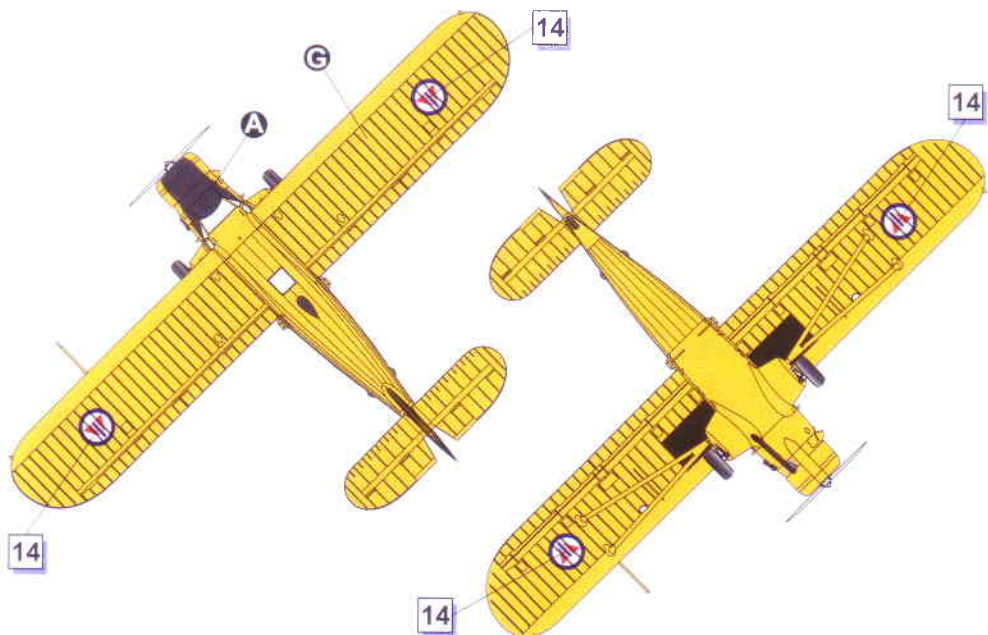
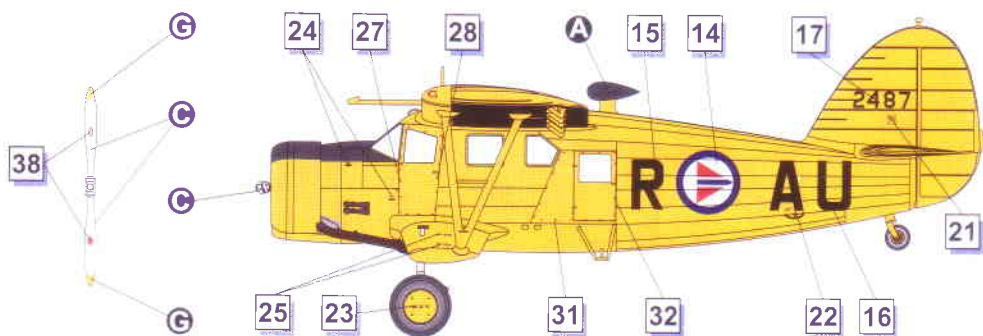


Noorduyn Norseman Mk.IV (№2485), №2 Training Command,  
 №3 B&G School, RCAF, November 1942



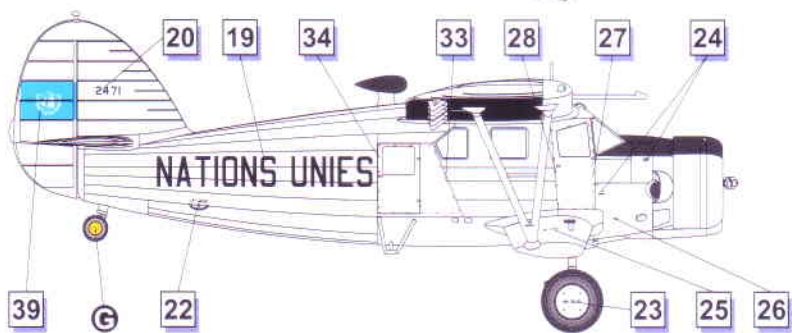
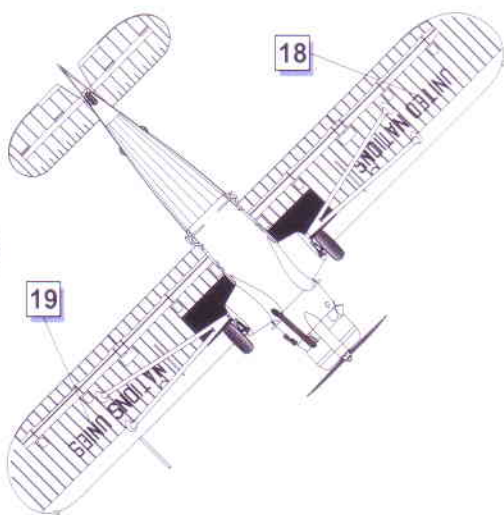
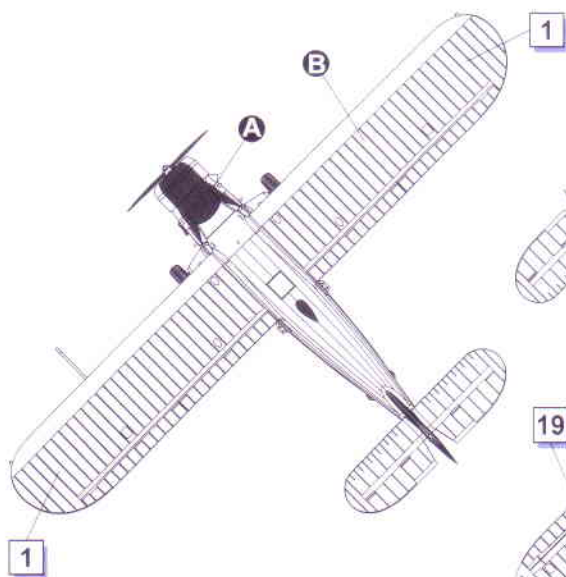
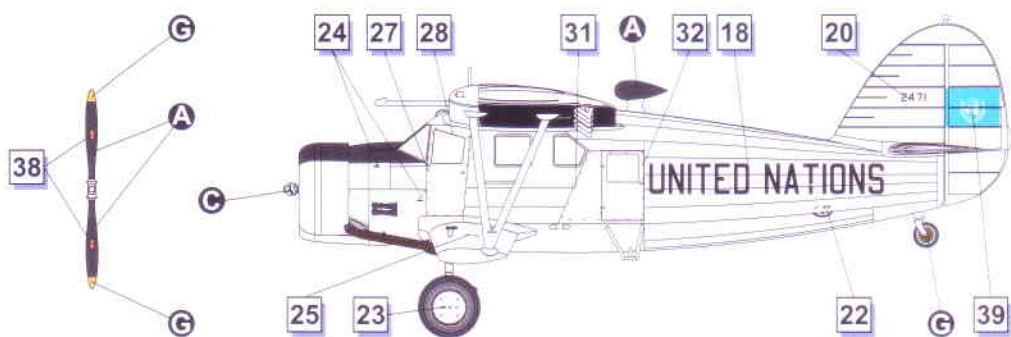
Noorduyn Norseman Mk.IV (№2471), №2 Training Command,  
RCAF, March 1942





Noorduyn Norseman Mk.IV (№2487), Luftkommando Ostlandet, Jarlsberg 1954





Noorduyn Norseman Mk.IV (№2471), United Nations, Rygge, 1956

## COLOR TABLE

Color Chart		MR. HOBBY	Tamiya	AMMO MIG	Hataka	LIFECOLOR
Black	<b>A</b>	C33/H12	XF-1	MIG 046	HTK 100	LC 02
White	<b>B</b>	C62/H11	XF-2	MIG 0047	HTK 101	LC 01
Aluminium	<b>C</b>	MC 218	XF-16	MIG 194	HTK 078	LC 24
Rubber Black	<b>D</b>	C137/H77	XF-85	MIG 035		UA 733
Polished metal	<b>E</b>	MC 211	XF-56	MIG 0192		
Interior Green	<b>F</b>	C351/H58		MIG 0220	HTK 211	UA 004
Yellow	<b>G</b>	C329/H329	X-8		HTK 107	
Clear Green	<b>H</b>	C138/H94	XF-25	MIG 092		
Burnt Iron	<b>I</b>	C61/H76	XF-25	MIG 187		LC 37
Clear Red	<b>J</b>	C47/H90	XF-27	MIG 093		
Engine Gray	<b>K</b>	C339/H339	XF-2	MIG 0908	HTK 030	UA 030
Olive Drab	<b>L</b>	C38/H78	XF-62	MIG 0237	HTK 004	UA 005
Red Leather	<b>M</b>	C327/H327		MIG 0121		
Med. Sea Grey	<b>O</b>	C335/H335	XF-83	MIG 0246	HTK 141	UA 094
Cockpit Grey-Green	<b>P</b>	C364	XF-71		HTK 025	UA 551
Signal Red	<b>R</b>	C79/H11	XF-2	MIG 049	HTK 103	LC 56



### USED SYMBOLS



CEMENT



DON'T CEMENT



REMOVE



SYMMETRICAL



MULTIPLE



BEND



OPEN WHOLE



VARIANTS



TO PAINT