

eduard



# *Tornado ECR* 1/48

*Instruction Sheet*

*Limited Edition*

11154-NAVI

ATTENTION



UPOZORNĚNÍ



ACHTUNG



ATTENTION



注意



Carefully read instruction sheet before assembling. When you use glue or paint, do not use near open flame and use in well ventilated room. Keep out of reach of small children. Children must not be allowed to suck any part, or pull vinyl bag over the head.



Před započítím stavby si pečlivě prostudujte stavební návod. Při používání barev a lepidel pracujte v dobře větrané místnosti. Lepidla ani barvy nepoužívejte v blízkosti otevřeného ohně. Model není určen malým dětem, mohlo by dojít k požití drobných dílů.

INSTRUCTION SIGNS \* INSTR. SYMBOLS \* INSTRUKTION SINNBILDEN \* SYMBOLES \* 記号の説明

OPTIONAL  
VOLBABEND  
OHNOUTSAND  
BROUSITOPEN HOLE  
VYVRTAT OTVORSYMETRICAL ASSEMBLY  
SYMETRICKÁ MONTÁŽREMOVE  
ODŘÍZNOUTREVERSE SIDE  
OTOČITAPPLY EDUARD MASK  
AND PAINT  
POUŽIT EDUARD MASK  
NABARVIT

PARTS



DÍLY



TEILE

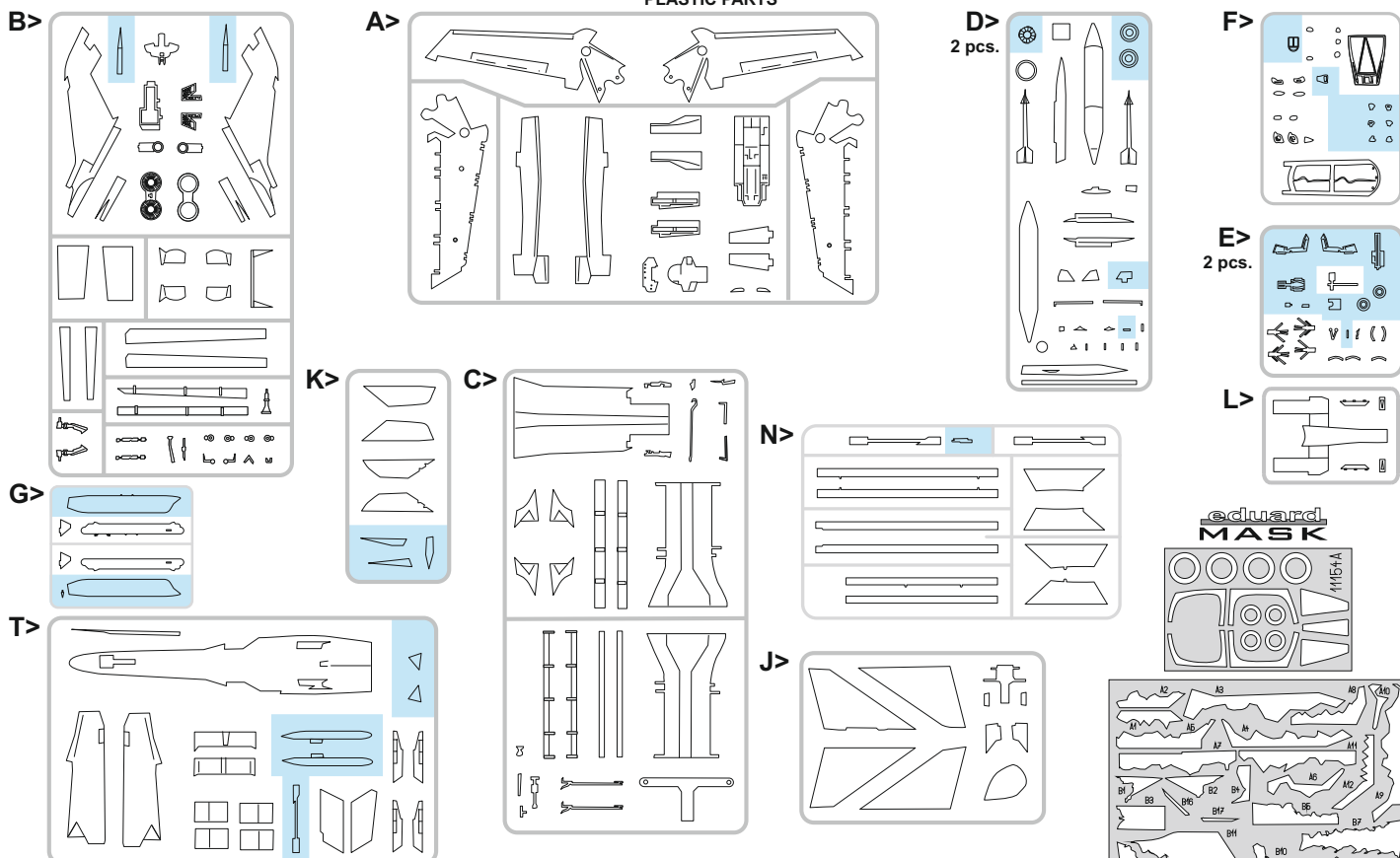


PIÈCES

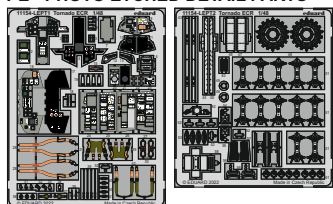


部品

## PLASTIC PARTS



## PE - PHOTO ETCHED DETAIL PARTS



## FILM



## RP - RESIN PARTS



R1 2pcs.



R2

R3

R4 2pcs.



R5 2pcs.



R6 2pcs.



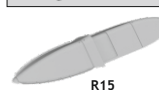
R7 2pcs.

R8 2pcs.



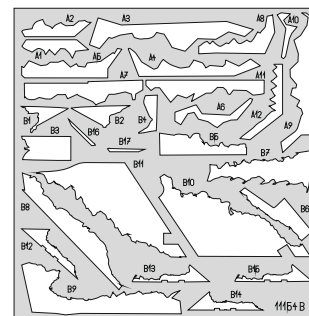
R9 2pcs.

R10 2pcs.



R11 2pcs.

R16



-Parts not for use. -Teile werden nicht verwendet. -Pièces à ne pas utiliser. -Tyto díly nepoužívejte při stavbě. - 使用しない部品

COLOURS



BARVY



FARBEN



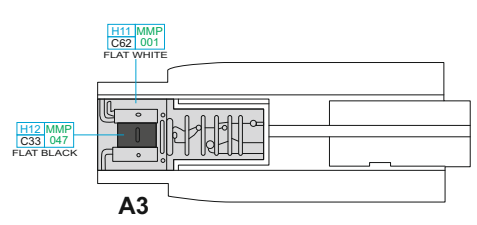
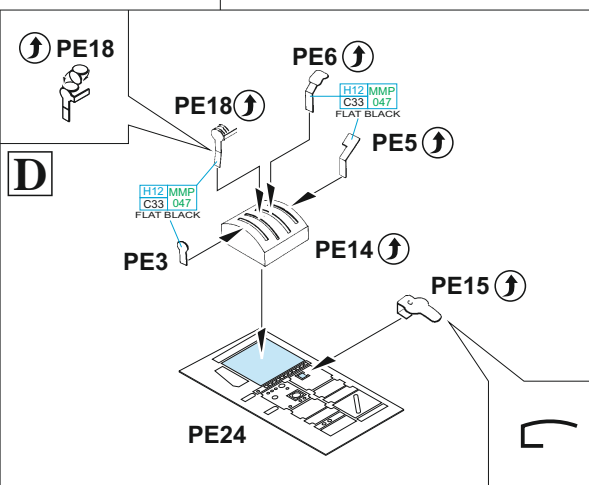
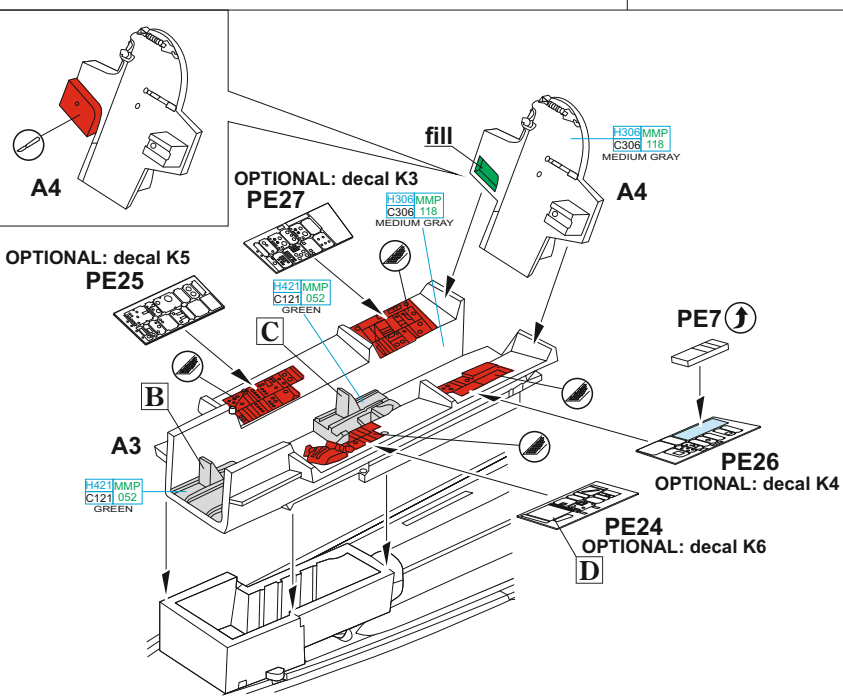
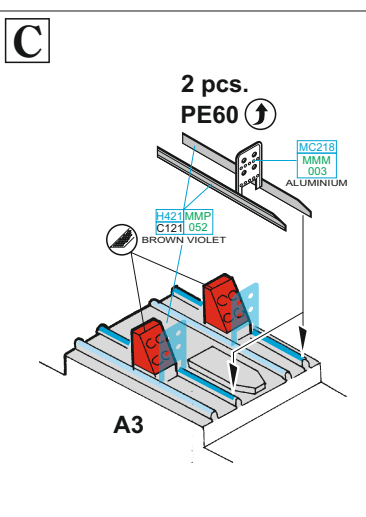
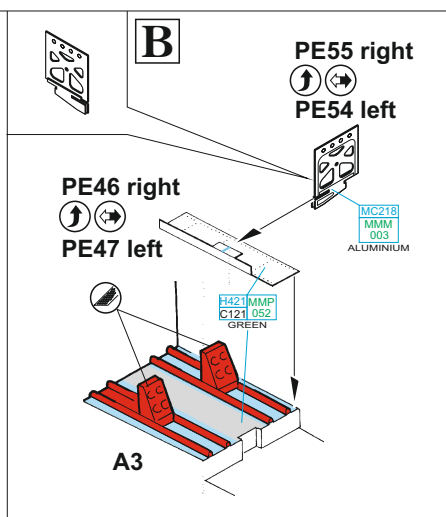
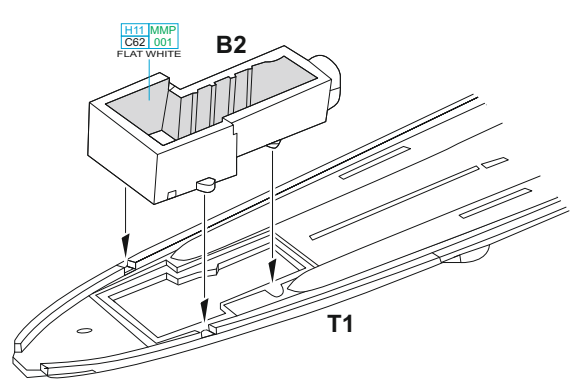
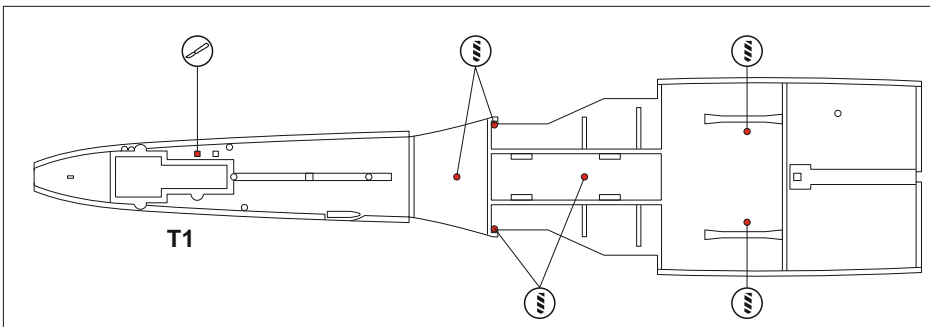
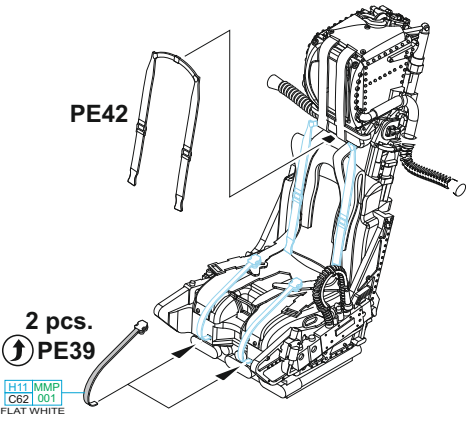
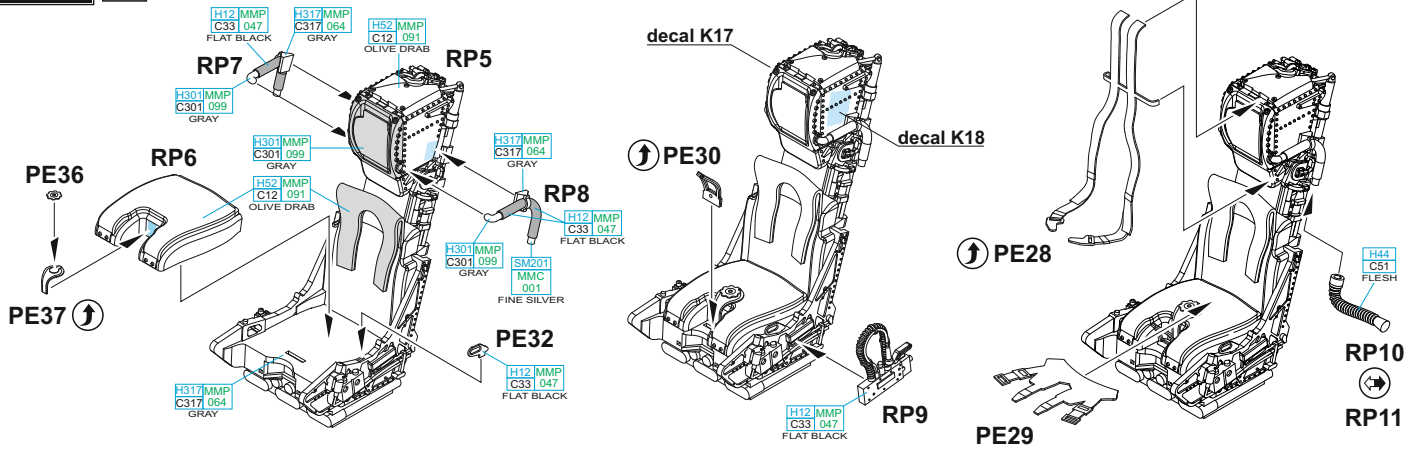
PEINTURE



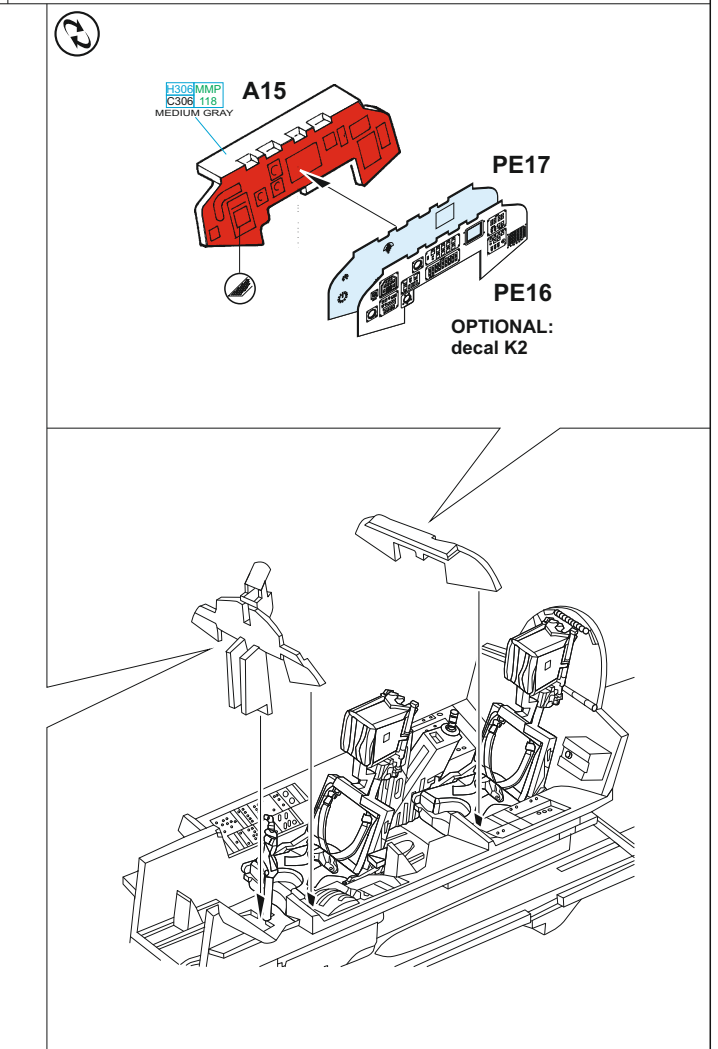
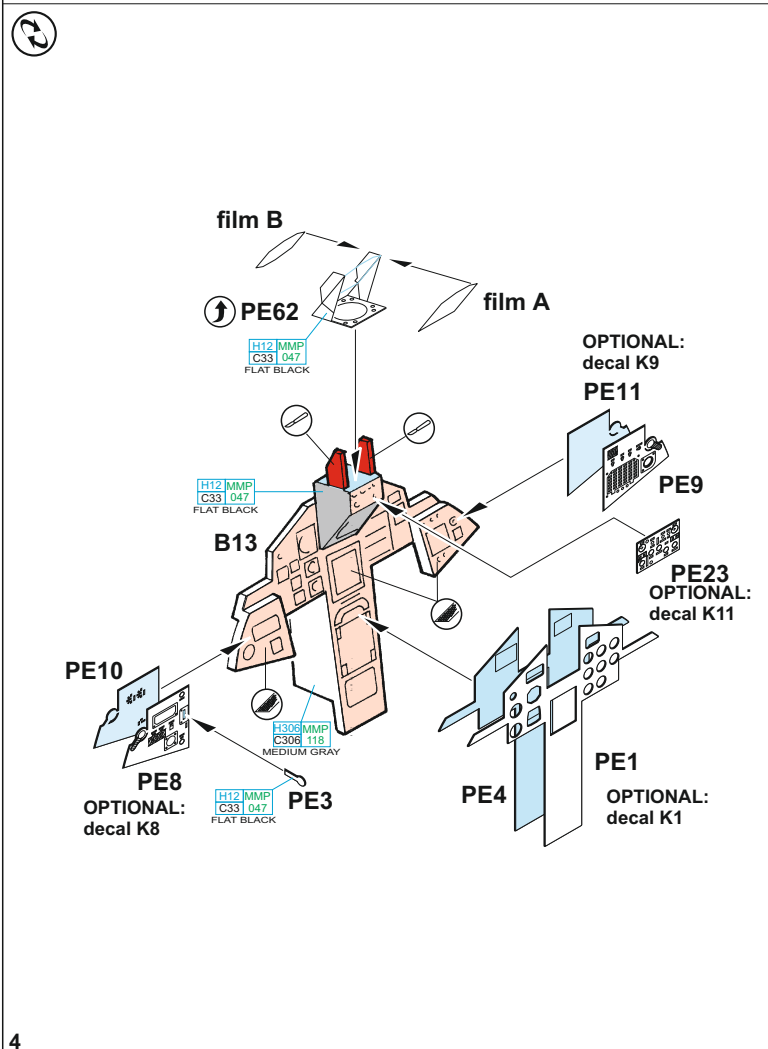
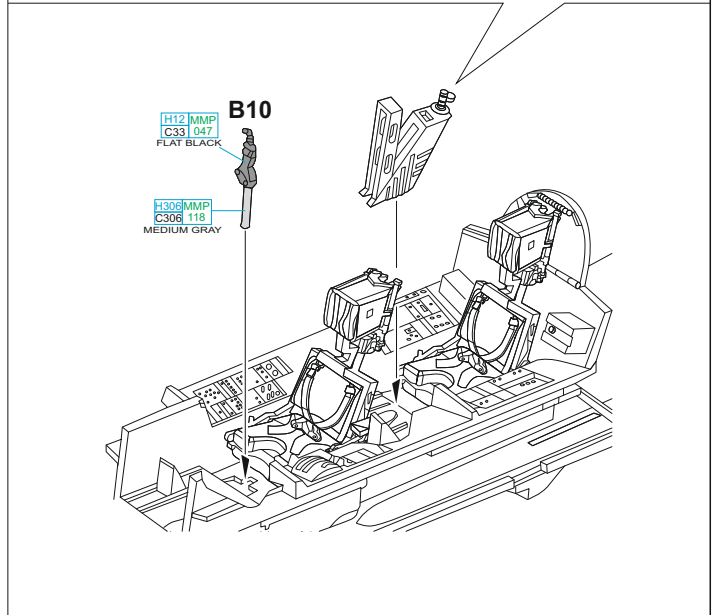
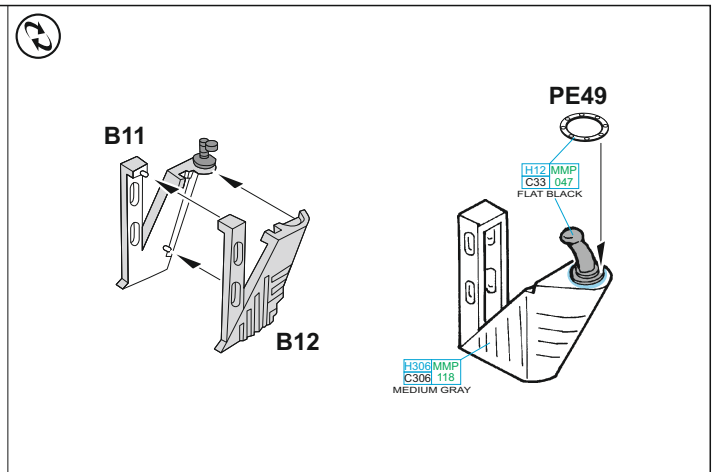
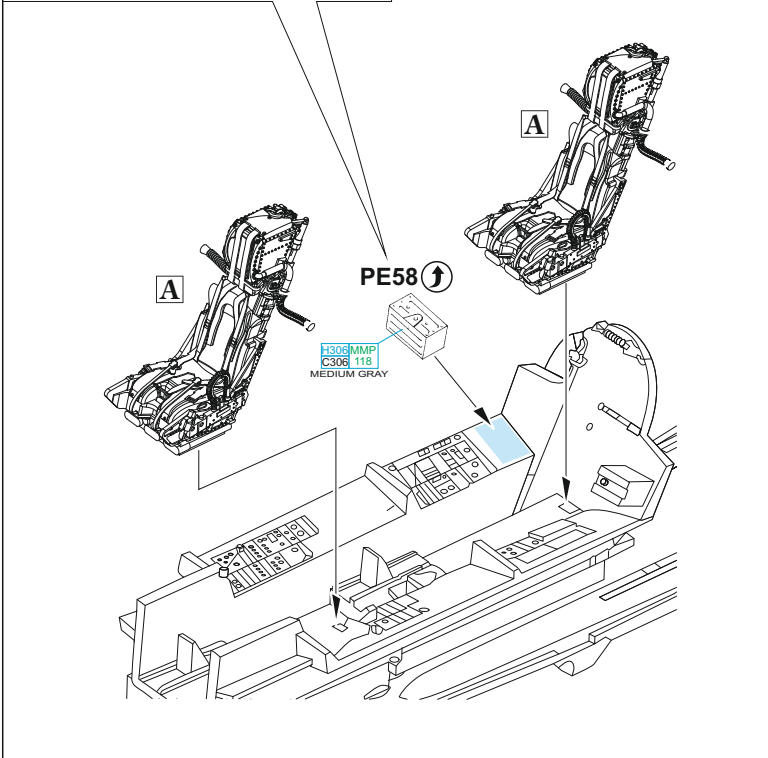
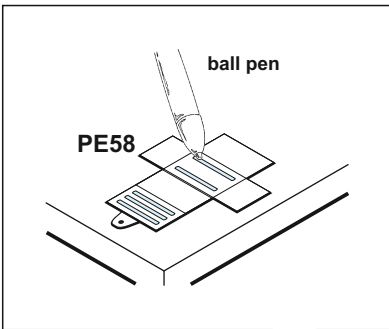
色

GSI Creos (GUNZE)		MISSION MODELS	
AQUEOUS	Mr.COLOR	PAINTS	
H11	C62	MMP-001	FLAT WHITE
H12	C33	MMP-047	FLAT BLACK
H25	C34		SKY BLUE
H44	C51		FLESH
H52	C12	MMP-091	OLIVE DRAB
H77	C137	MMP-040	TIRE BLACK
H90	C47		CLEAR RED
H94	C138		CLEAR GREEN
H301	C301	MMP-099	GRAY
H306	C306	MMP-118	MEDIUM GRAY
H307	C307	MMP-074	GRAY
H308	C308	MMP-073	GRAY
H309	C309	MMP-031	GREEN
H317	C317	MMP-064	GRAY
H323	C323		LIGHT BLUE

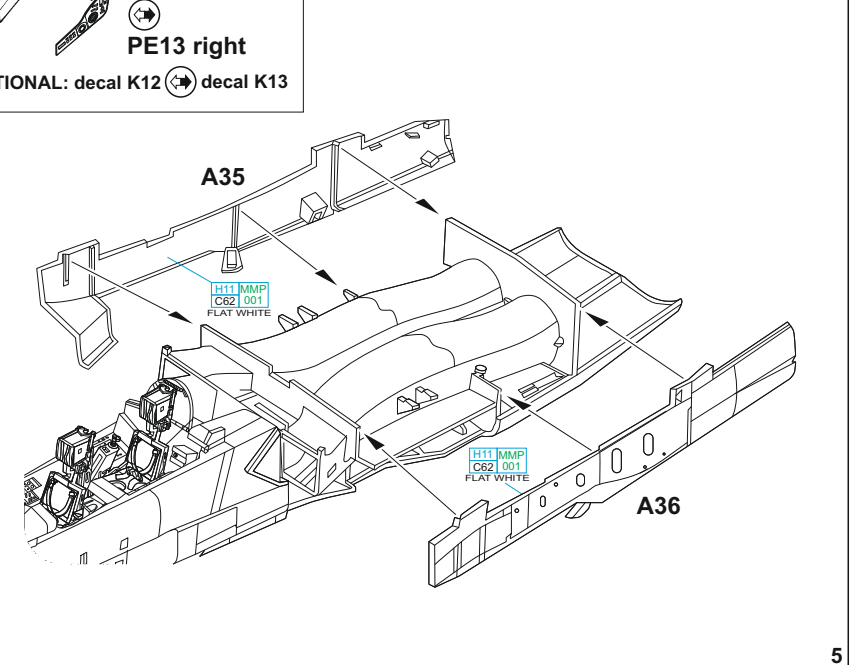
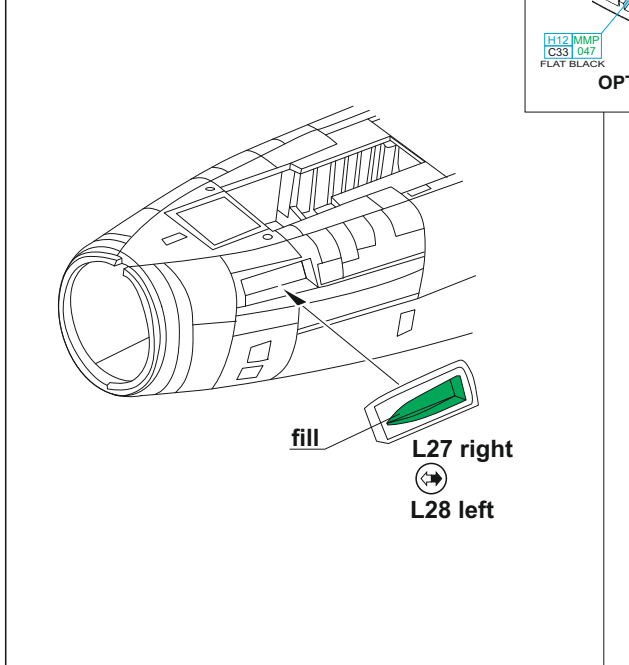
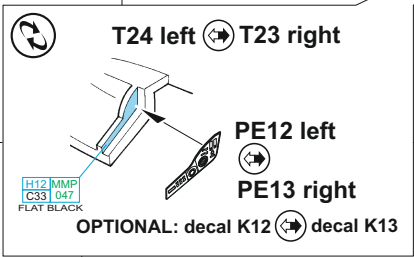
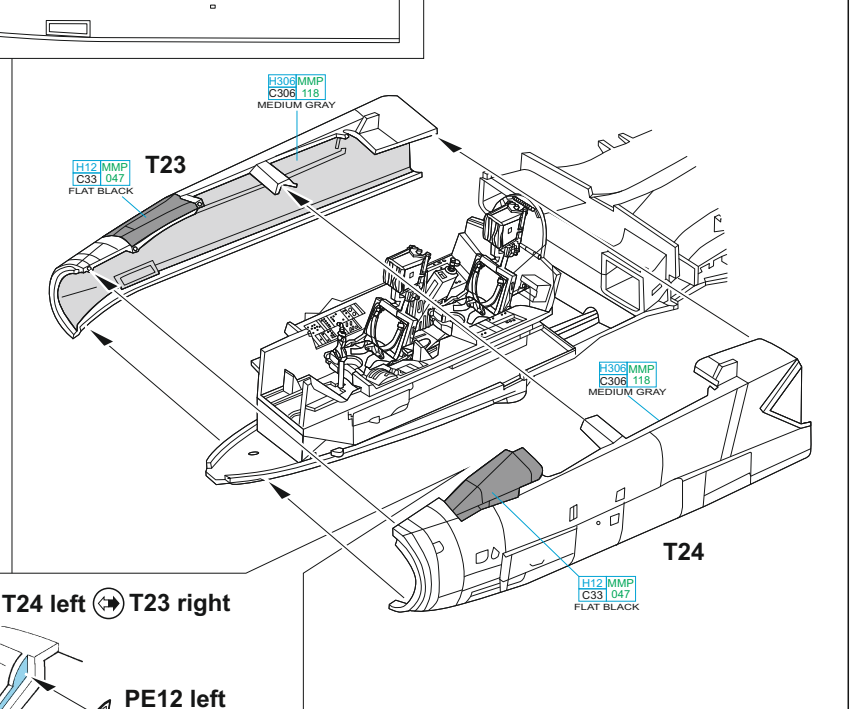
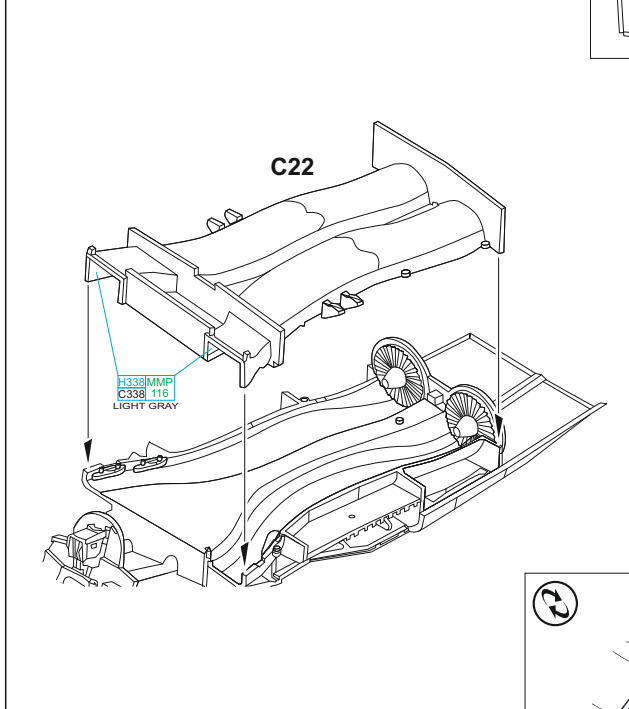
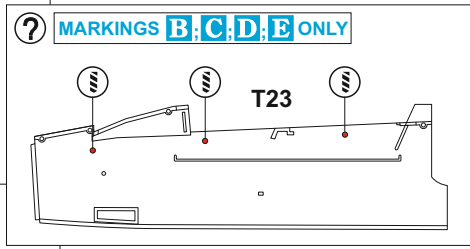
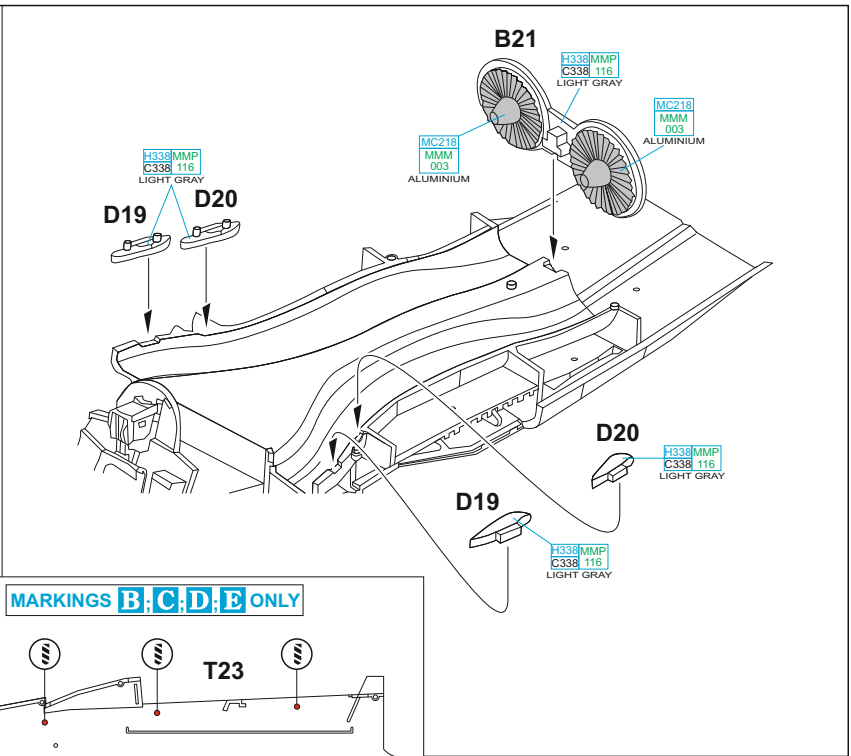
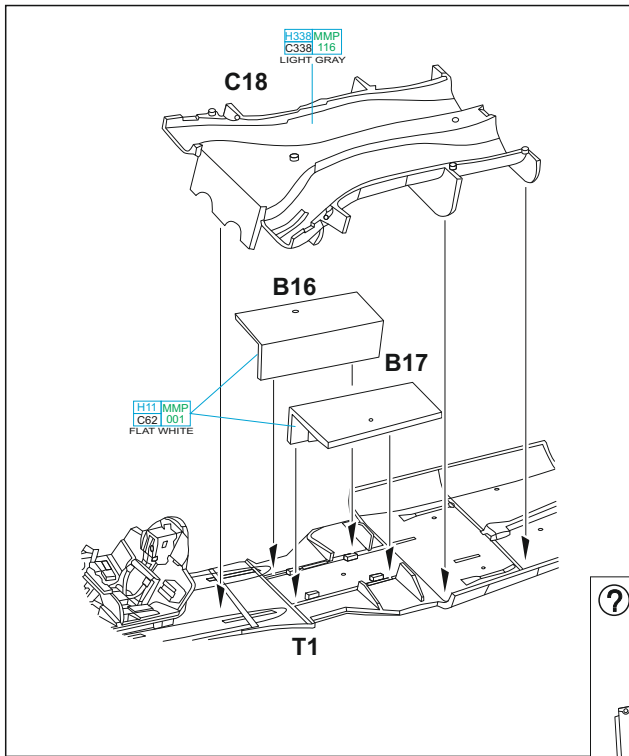
GSI Creos (GUNZE)		MISSION MODELS	
AQUEOUS	Mr.COLOR	PAINTS	
H328	C328		BLUE
H331	C331		DARK SEAGRAY
H334	C334	MMP-102	BARLEY GRAY
H337	C337		GRAYISH BLUE
H338	C338	MMP-116	LIGHT GRAY
H401			DARK GRAY
H405	C126		OLIVE GREEN
H413	C113	MMP-090	YELLOW
H421	C121	MMP-052	GREEN
Mr.METAL COLOR		METALLICS	
MC213		MMM-006	STAINLESS
MC214		MMM-001	DARK IRON
MC218		MMM-001	ALUMINIUM
Mr.COLOR SUPER METALLIC		METALLICS	
SM201		MMC-001	SUPER FINE SILVER

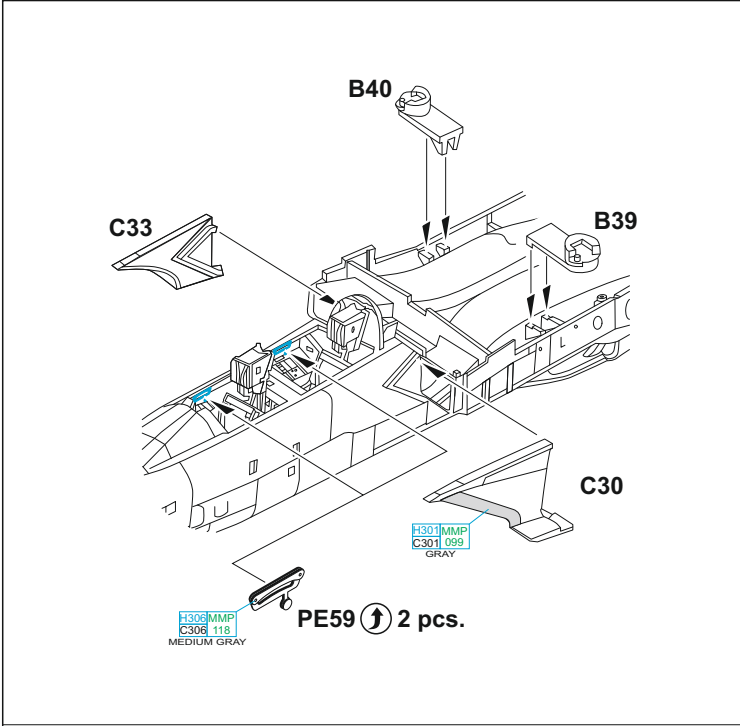




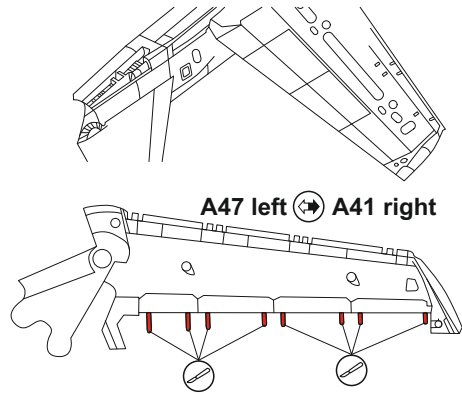




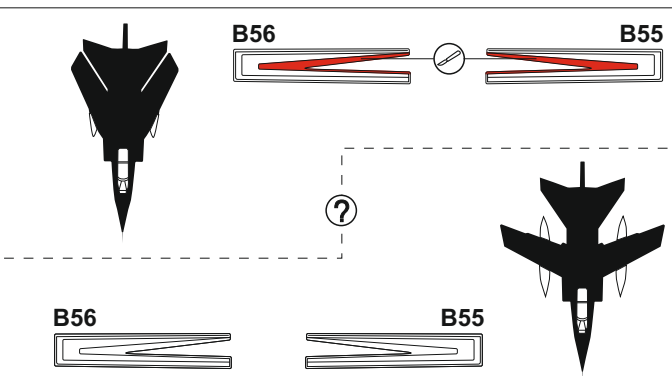
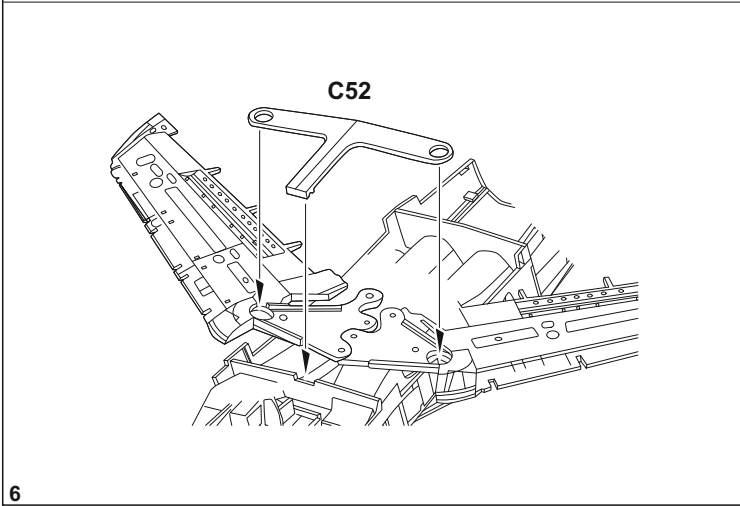
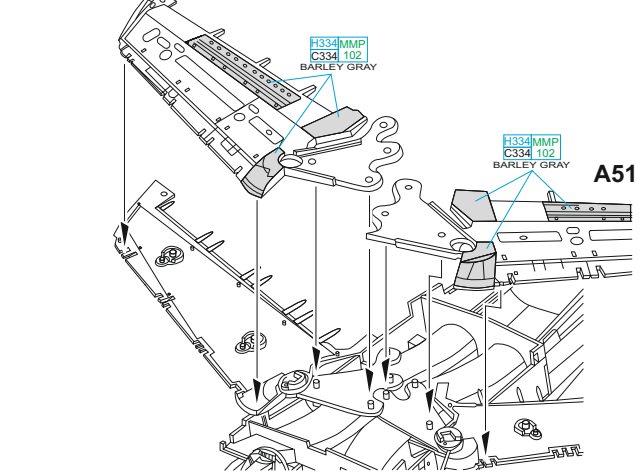
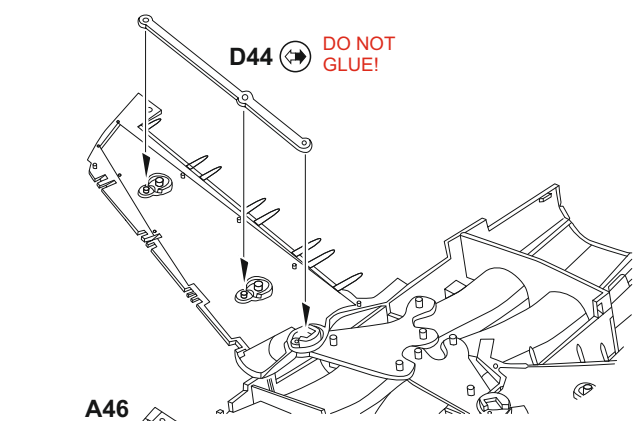
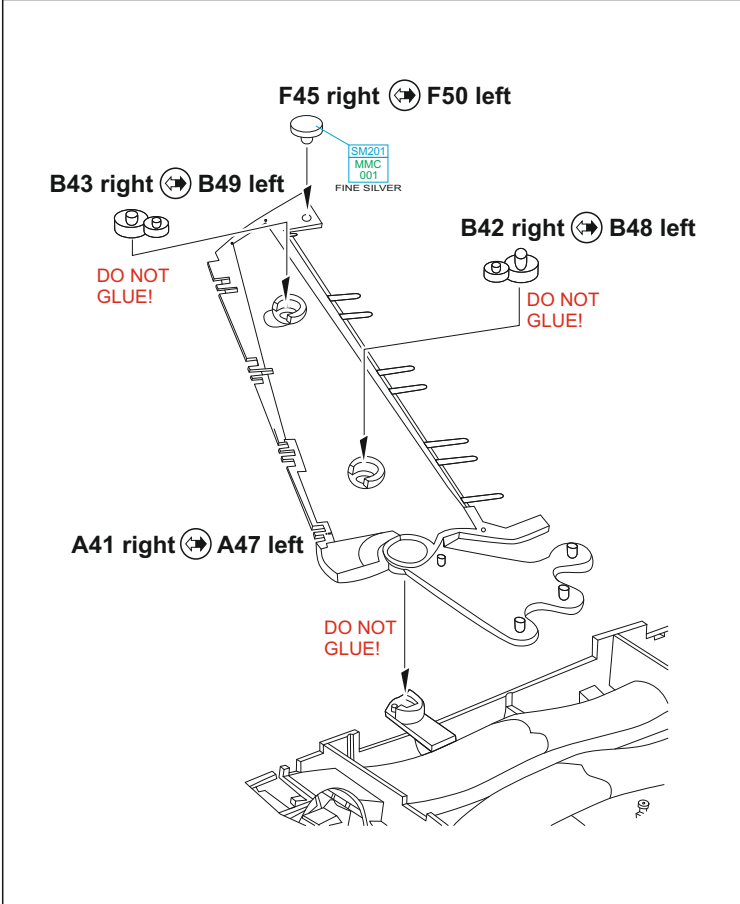
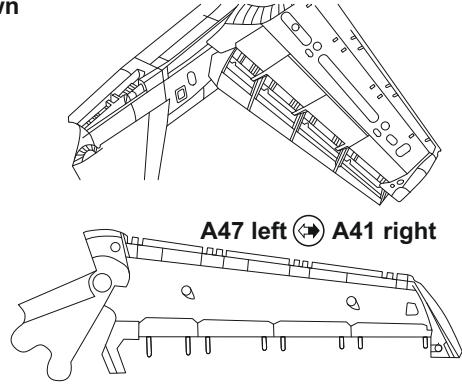


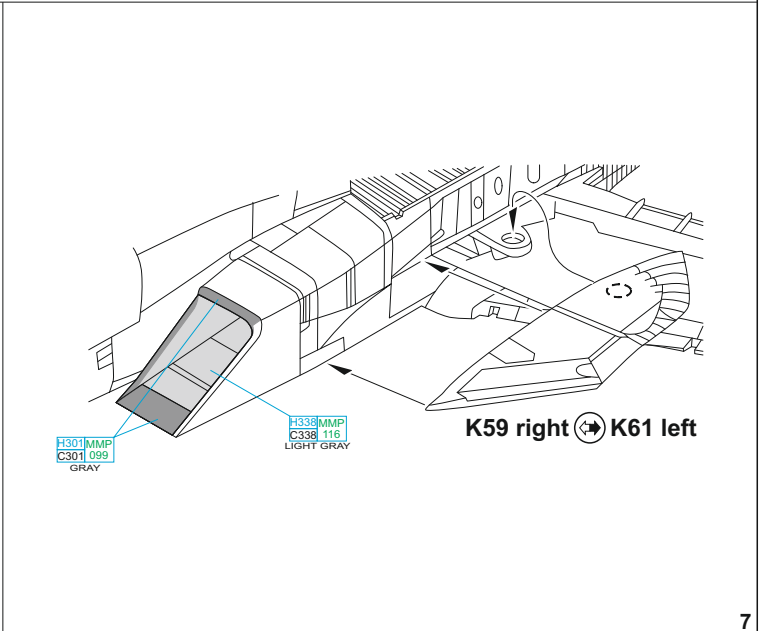
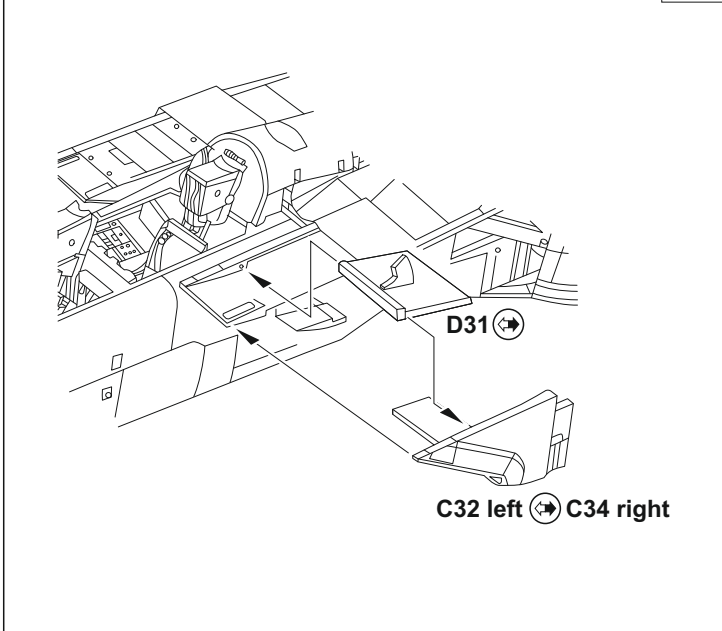
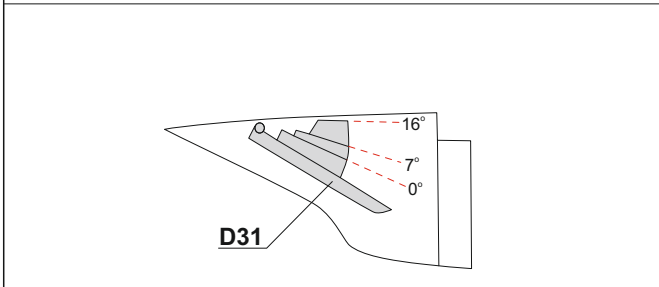
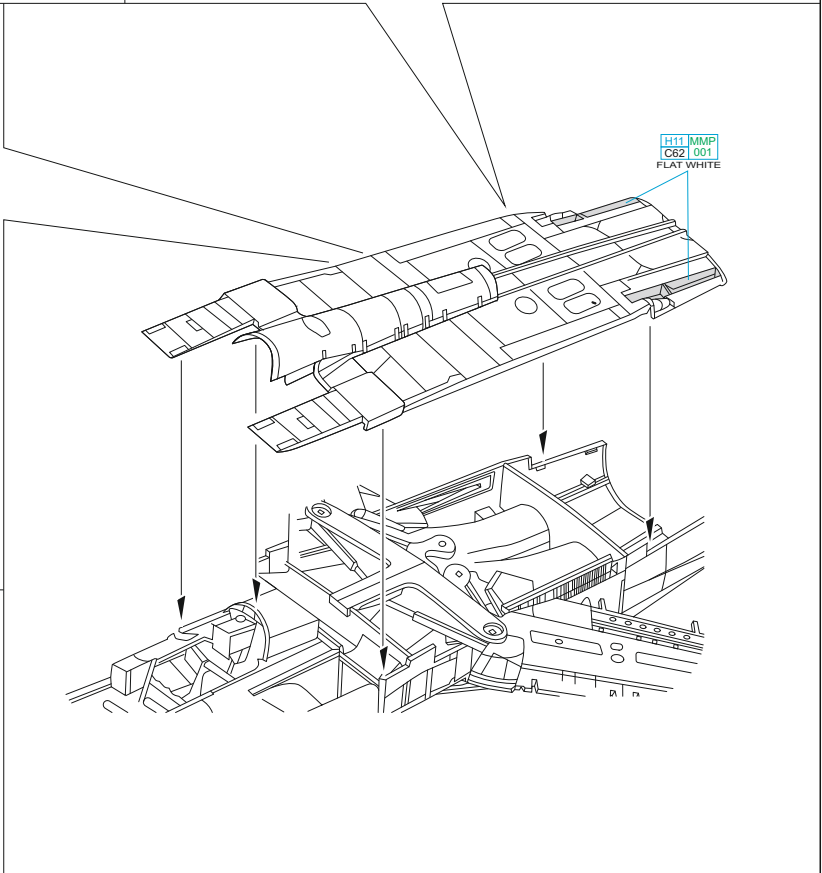
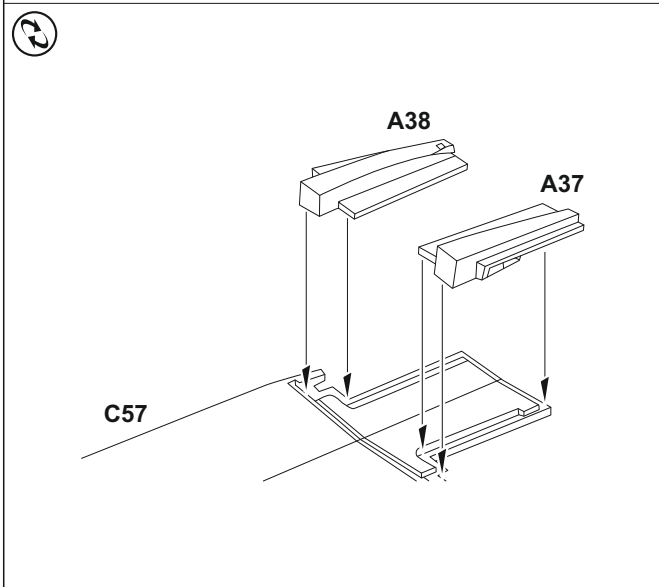
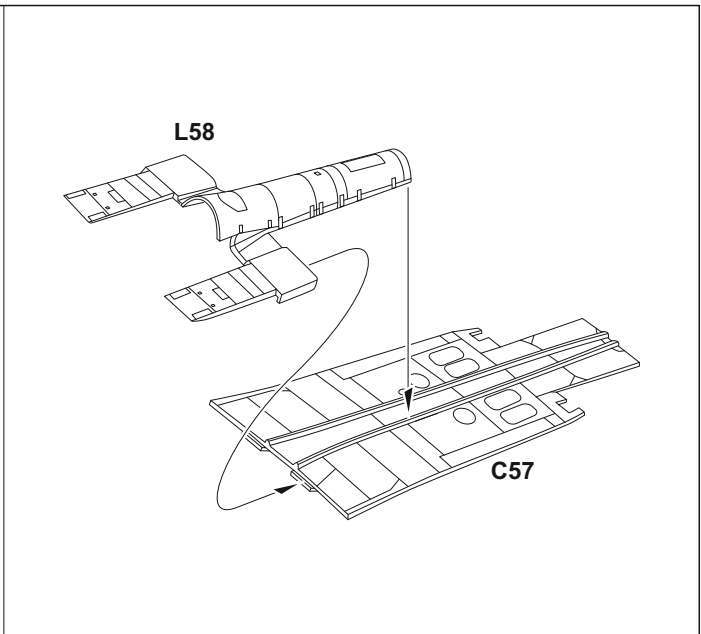
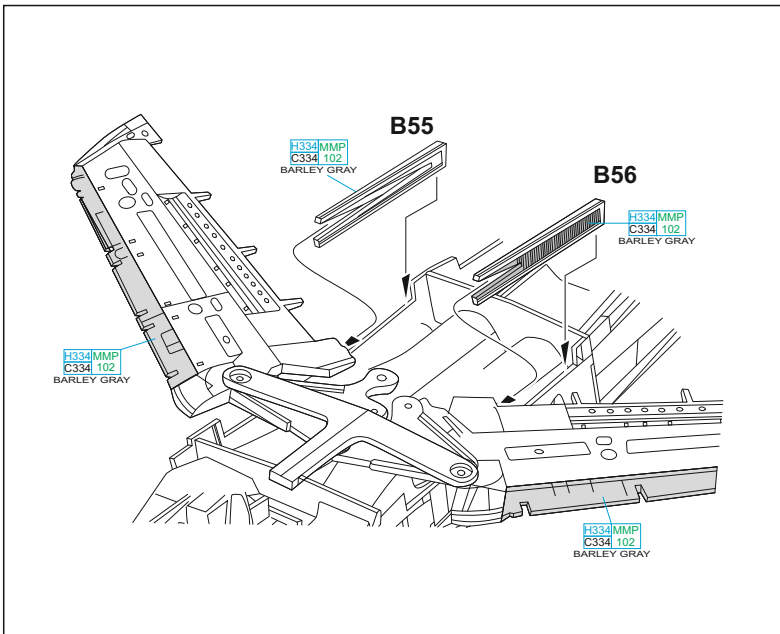


Flaps up



Flaps down

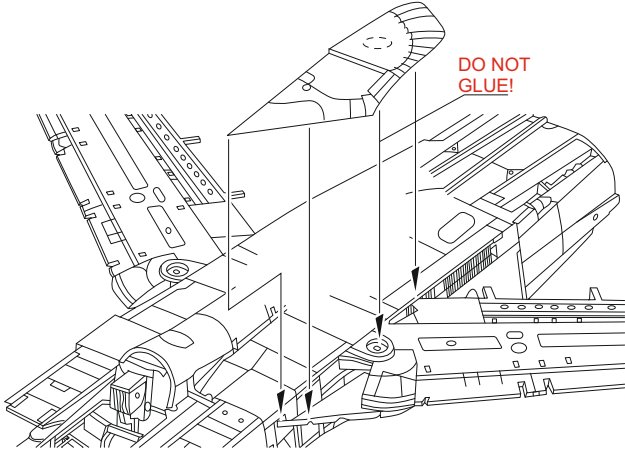




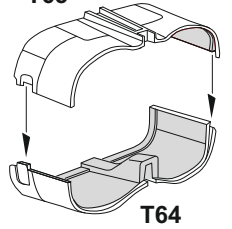


K62 left ↔ K60 right

DO NOT GLUE!



T65



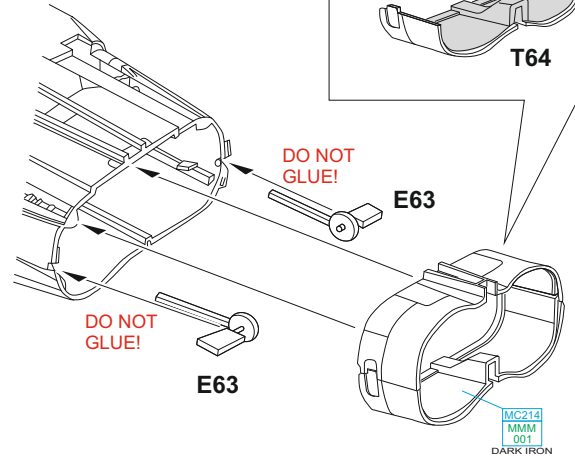
T64

DO NOT GLUE!

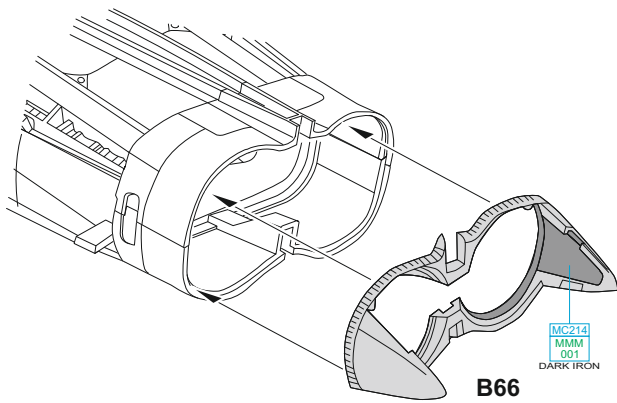
E63

DO NOT GLUE!

E63



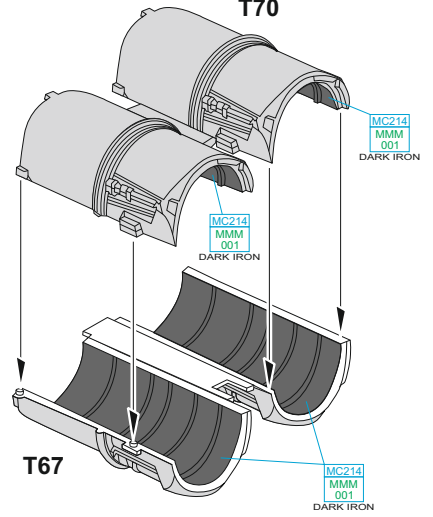
MC214  
MMM  
001  
DARK IRON



B66

MC214  
MMM  
001  
DARK IRON

T70

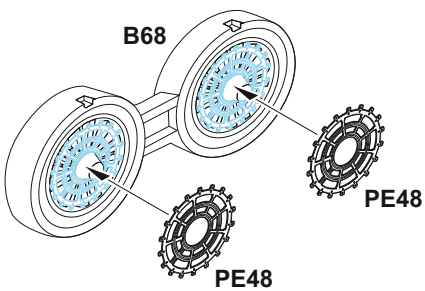


T67

MC214  
MMM  
001  
DARK IRON

MC214  
MMM  
001  
DARK IRON

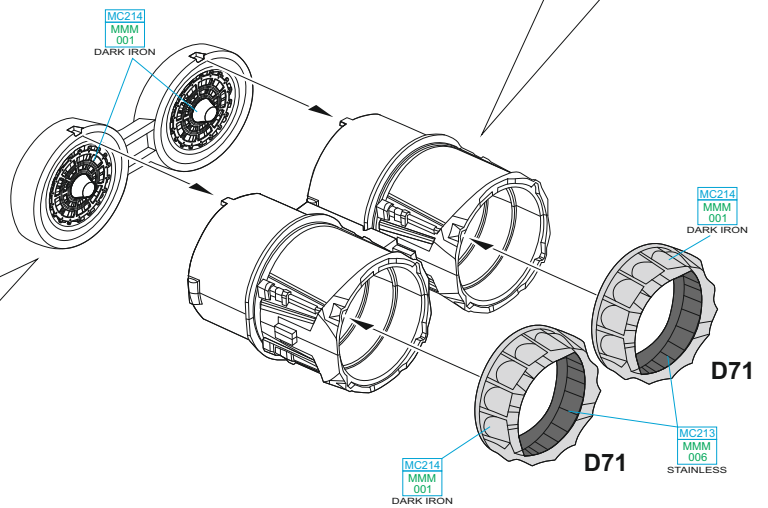
MC214  
MMM  
001  
DARK IRON



B68

PE48

PE48



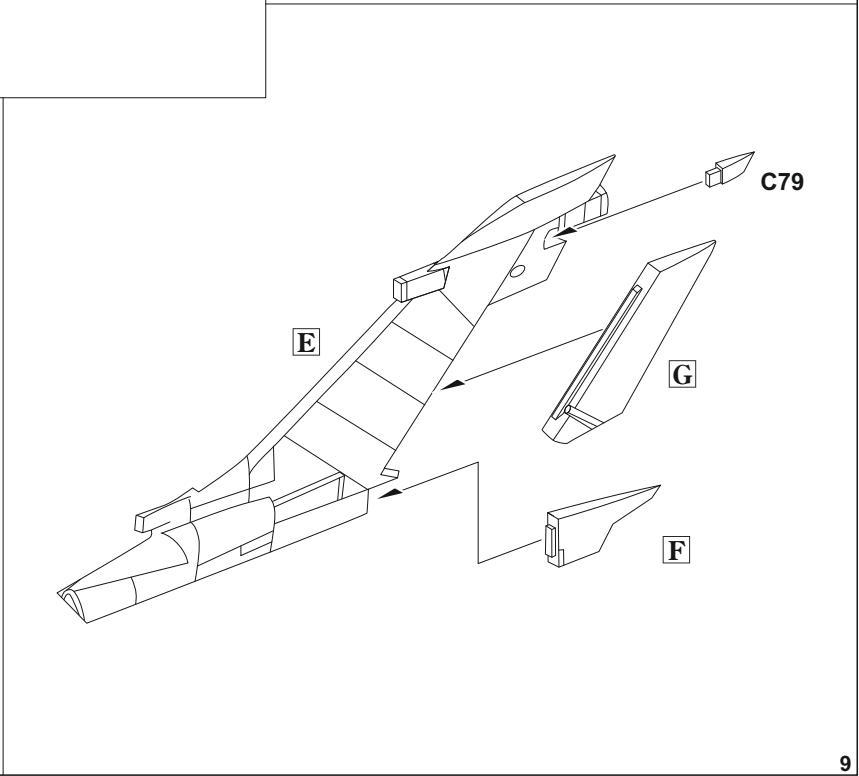
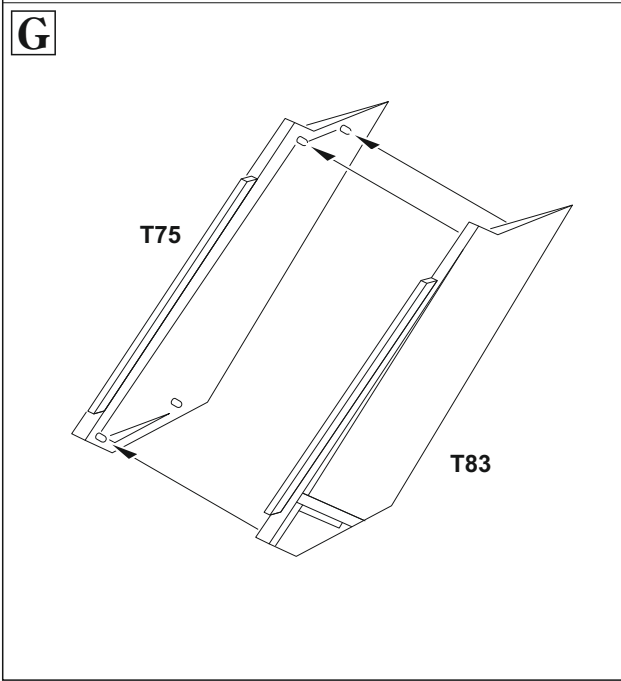
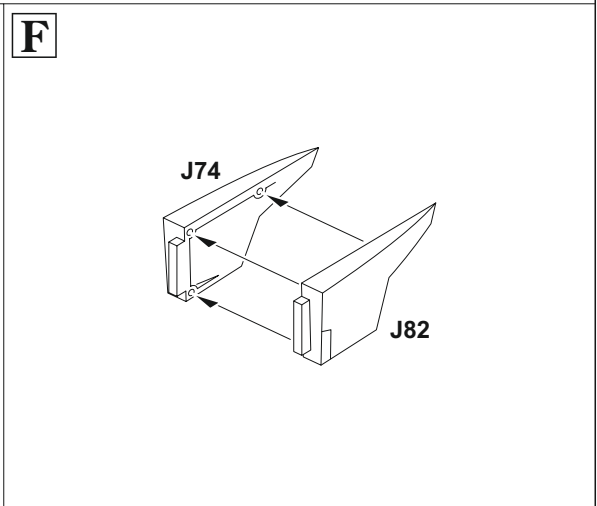
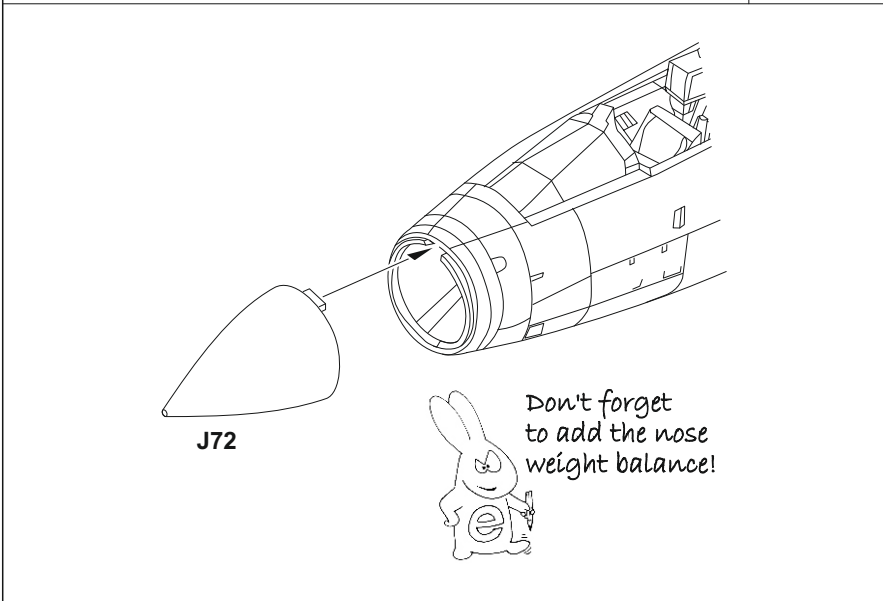
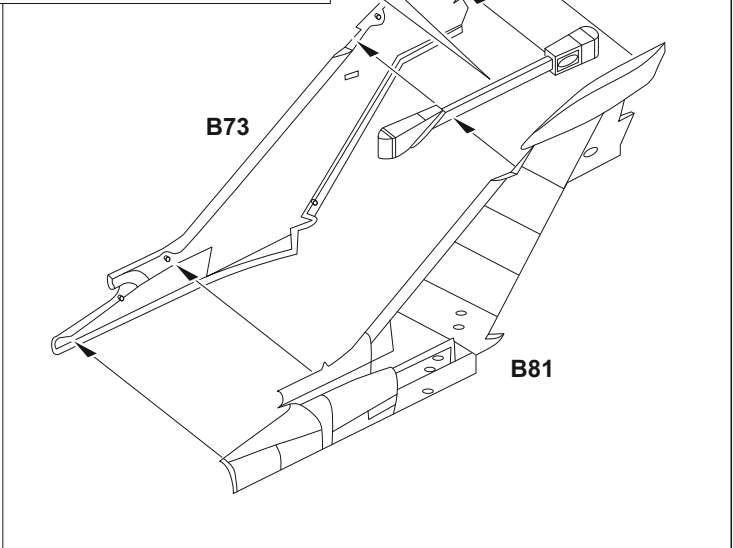
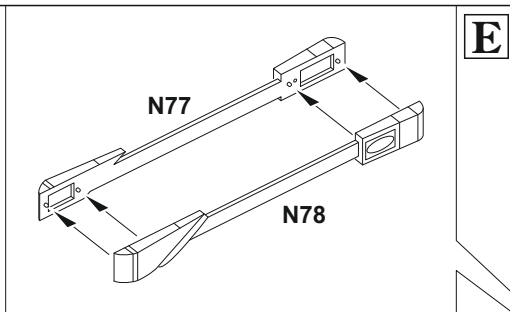
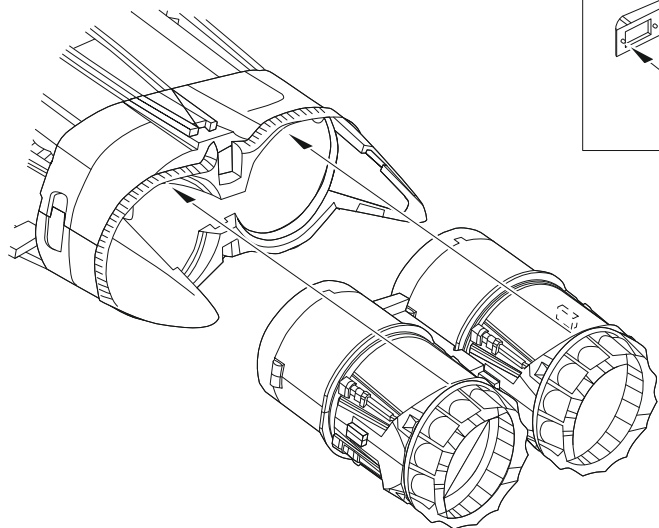
D71

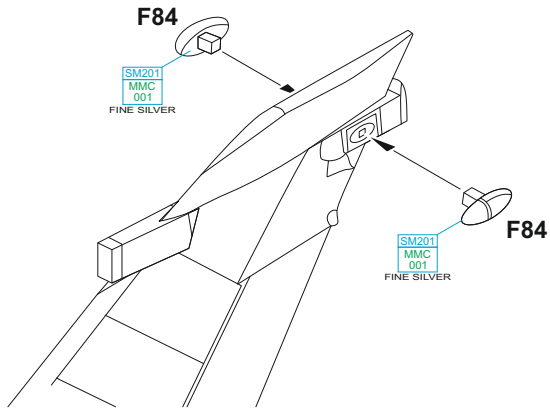
D71

MC214  
MMM  
001  
DARK IRON

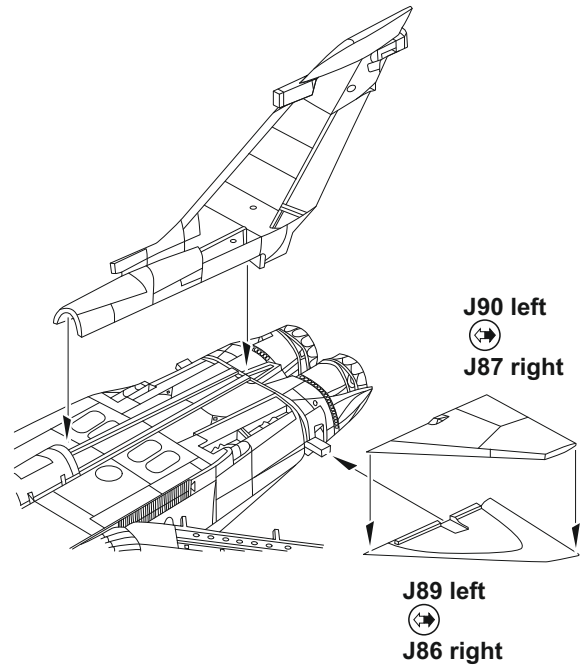
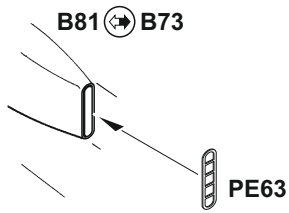
MC214  
MMM  
001  
DARK IRON

MC213  
MMM  
005  
STAINLESS

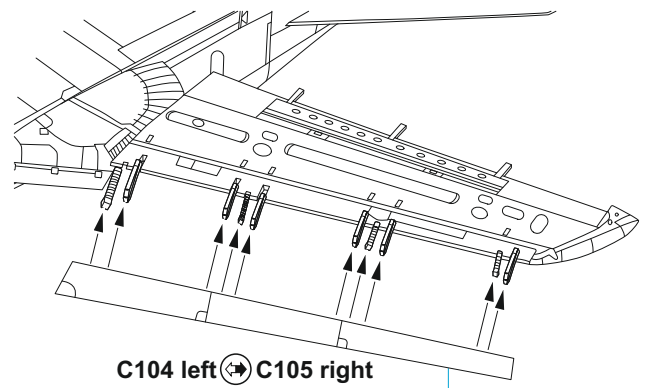
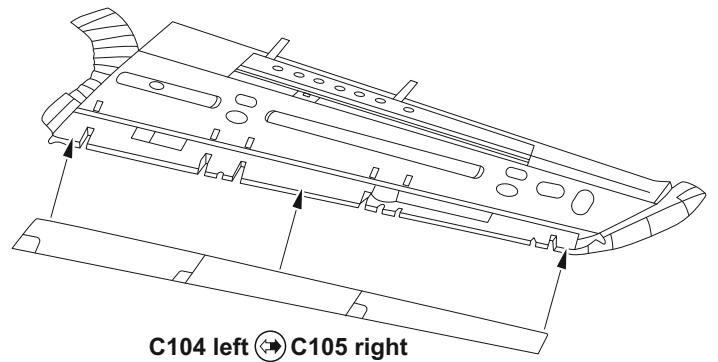




**H** 2 pcs.

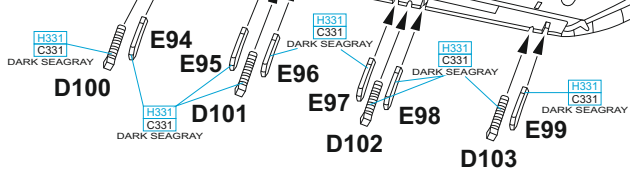


**Slats up**

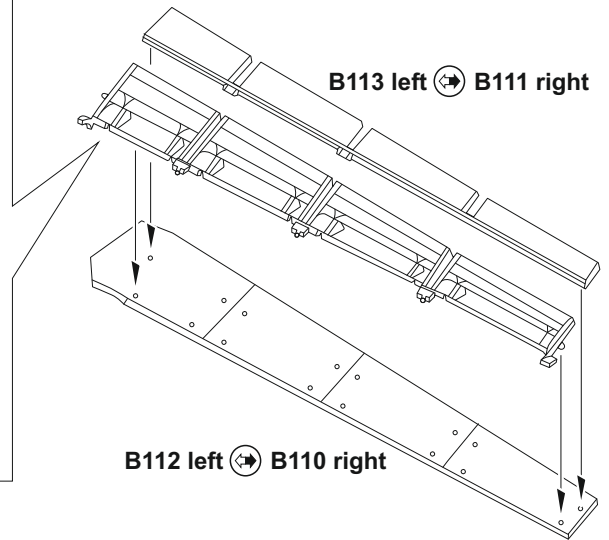
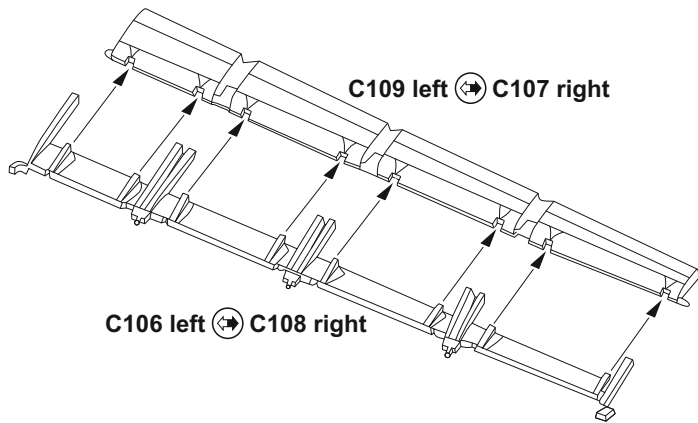


**FOR ANNIVERSARY TORNADO  
USE COLOR AS ON MARKING **D****

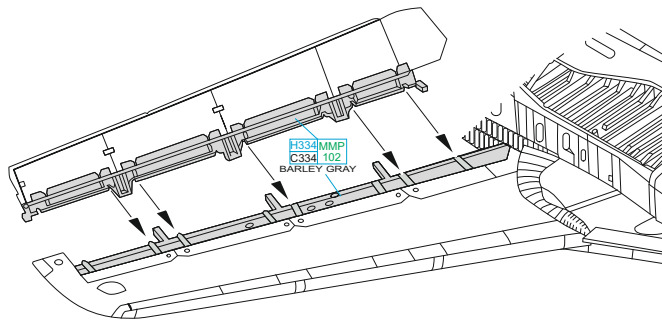
**Slats down**



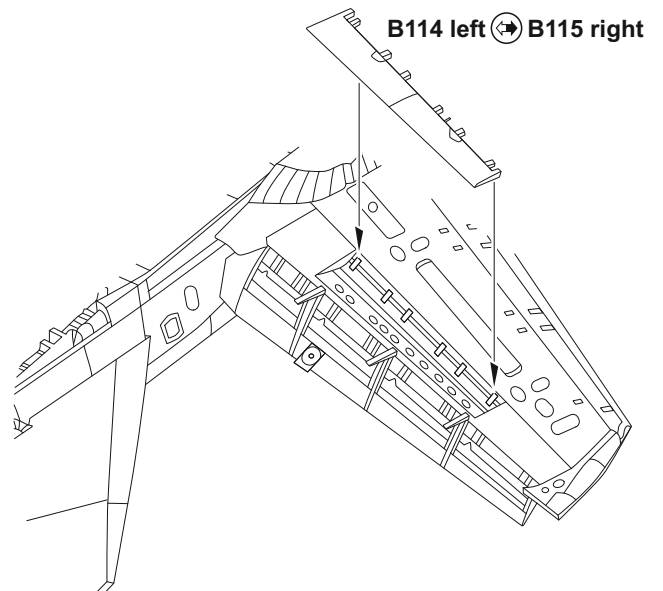
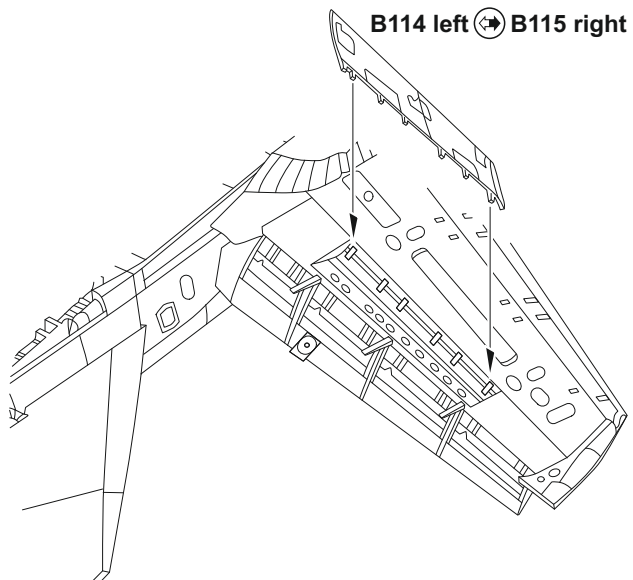
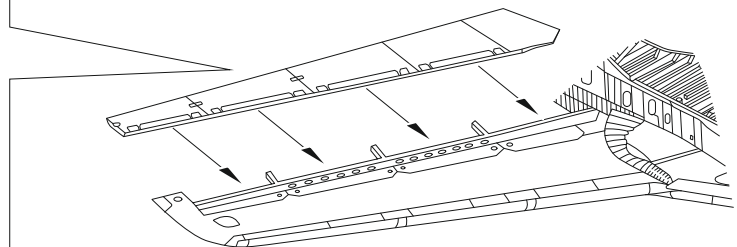
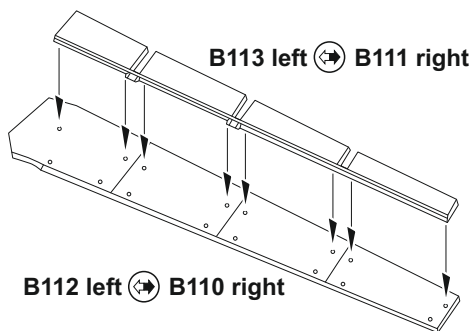




**Flaps down**



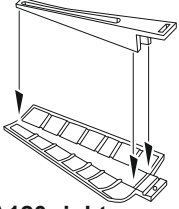
**Flaps up**



**J**

**A37 right**

**A38 left**



**A120 right**

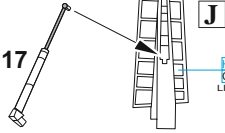
**A118 left**



**D117**

**J**

H338 MMP  
C338 116  
LIGHT GRAY

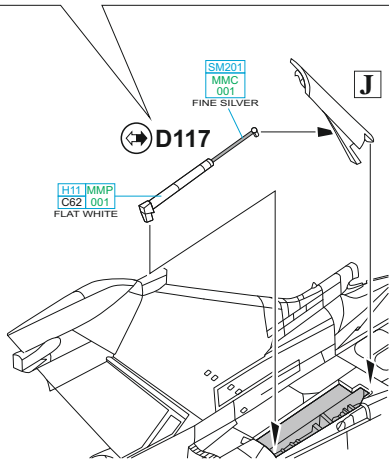


SM201  
MMC  
001  
FINE SILVER

**J**

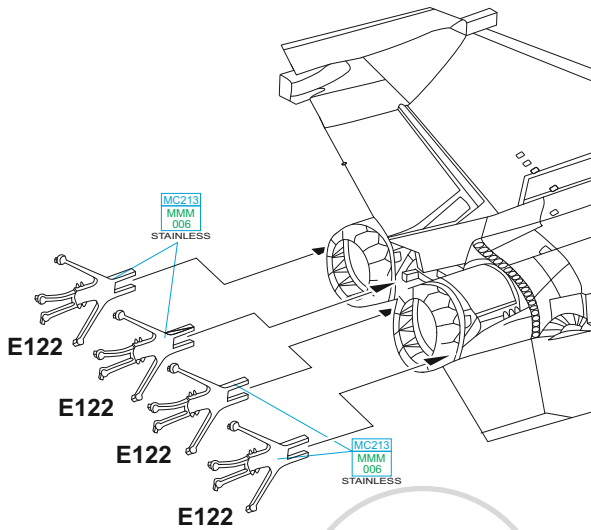
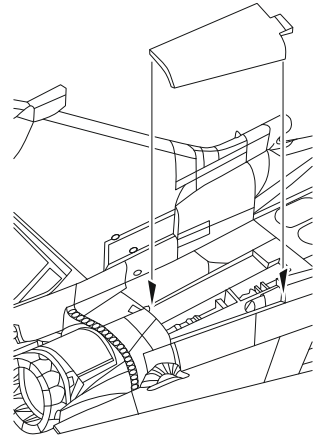
**D117**

H111 MMP  
C621 001  
FLAT WHITE



?

**A120 right** ↔ **A118 left**



MC213  
MMM  
006  
STAINLESS

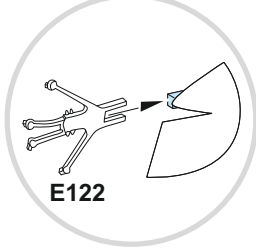
**E122**

**E122**

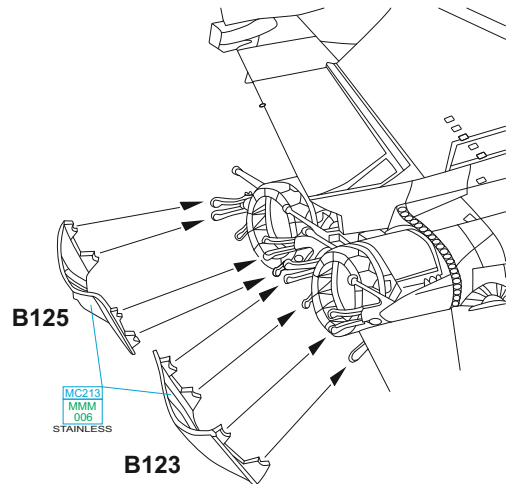
**E122**

**E122**

MC213  
MMM  
006  
STAINLESS



**E122**

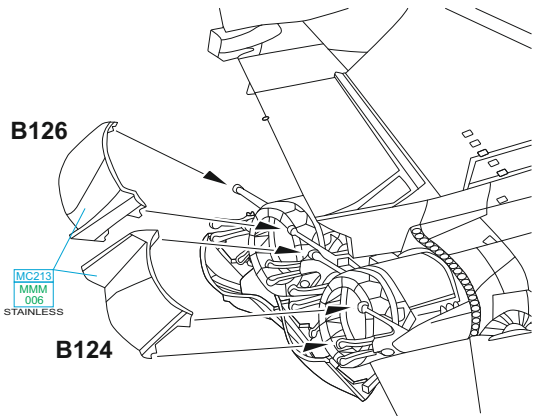


**B125**

MC213  
MMM  
006  
STAINLESS

**B123**

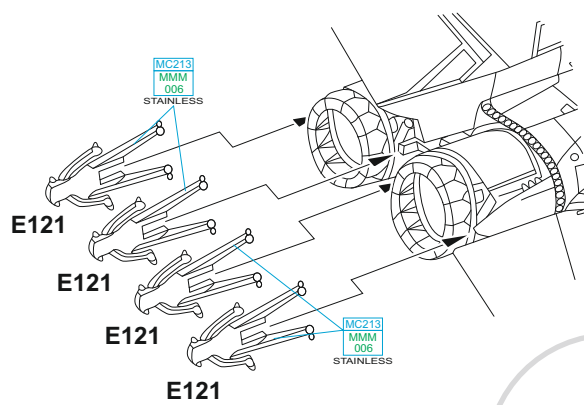
?



**B126**

MC213  
MMM  
006  
STAINLESS

**B124**



MC213  
MMM  
006  
STAINLESS

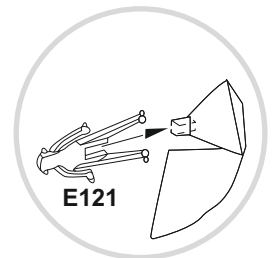
**E121**

**E121**

**E121**

**E121**

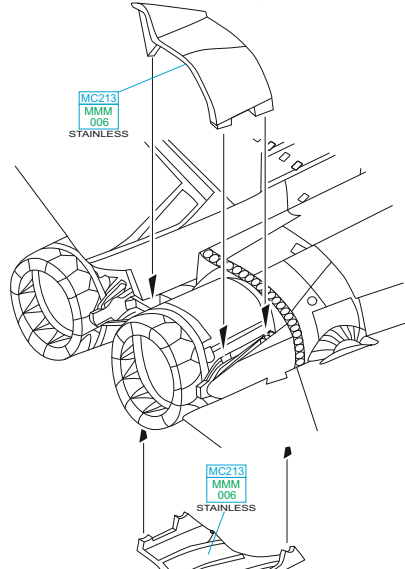
MC213  
MMM  
006  
STAINLESS



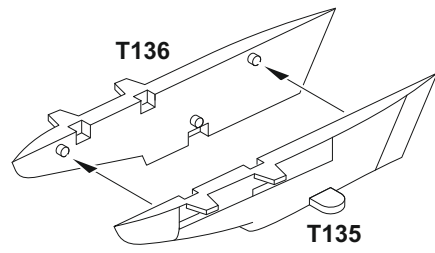
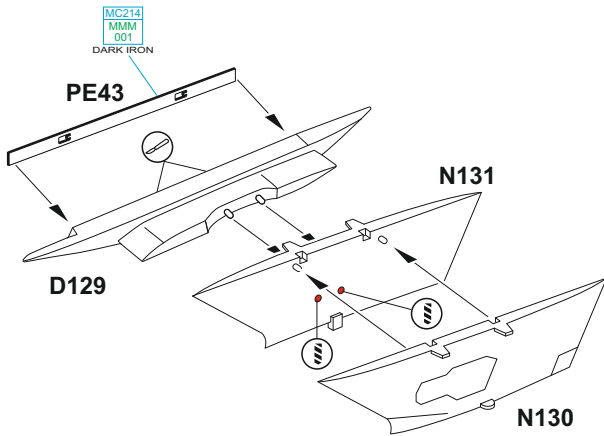
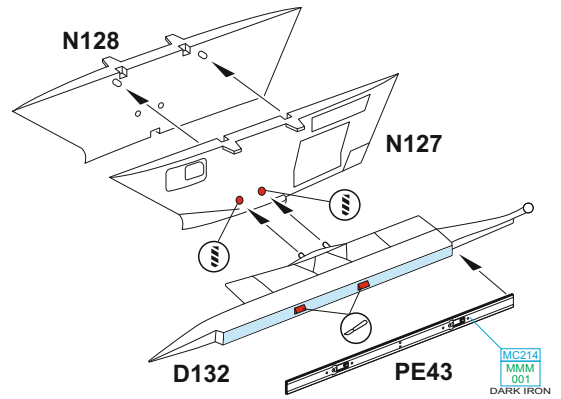
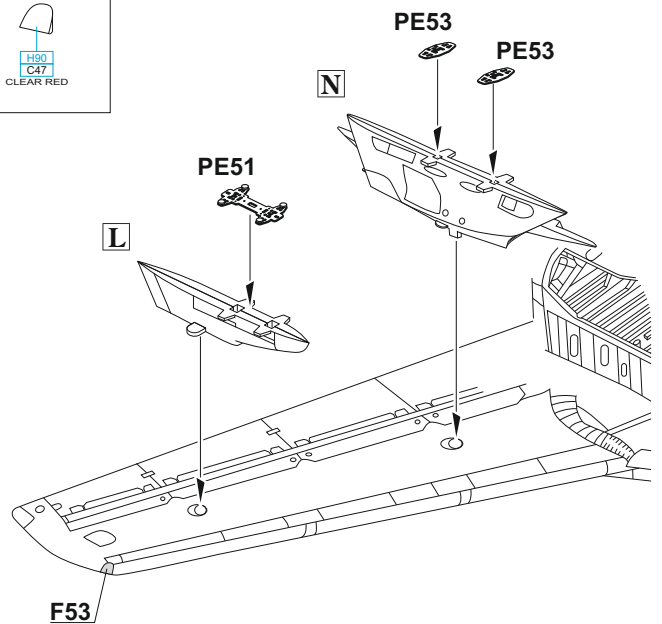
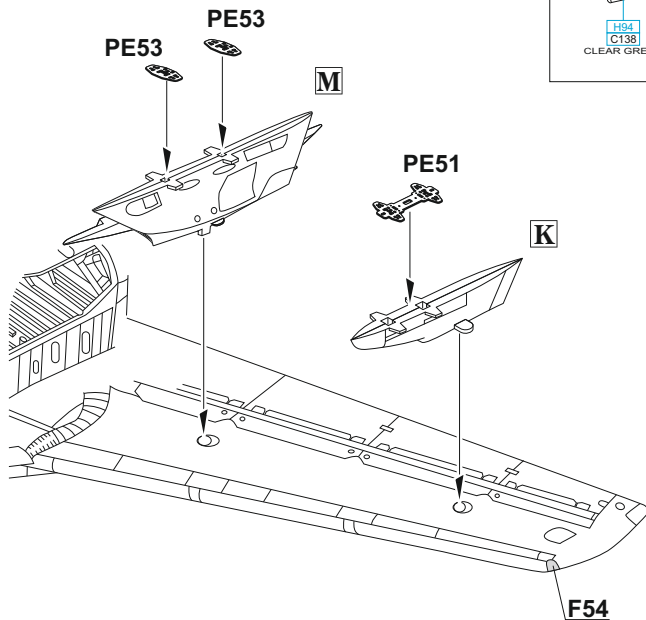
**E121**

**K**

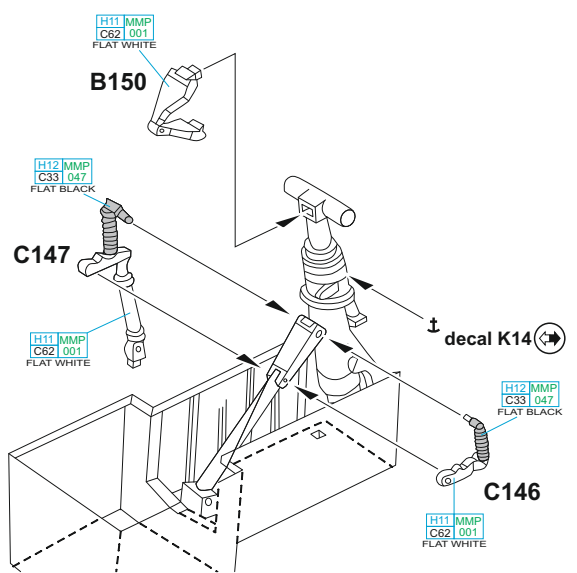
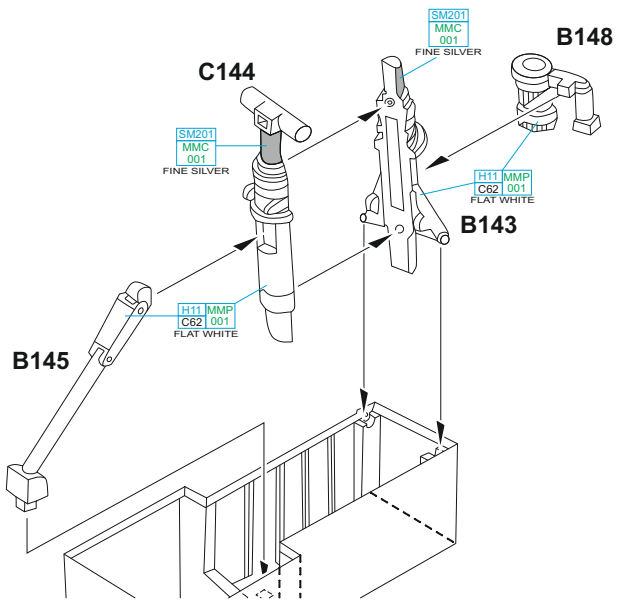
B124 right ↔ B126 left



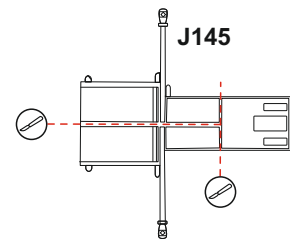
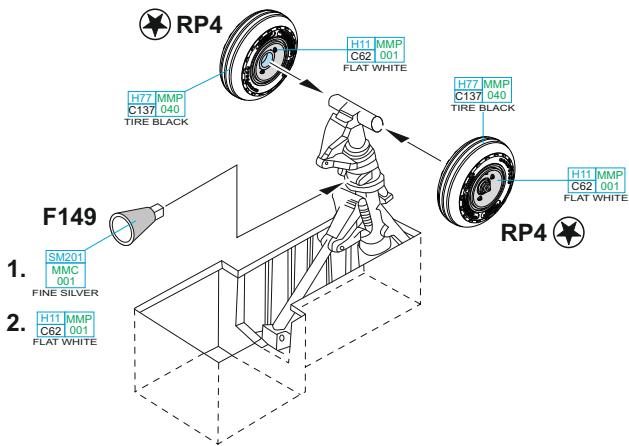
B123 right ↔ B125 left

**L****M****N****F54****F53**

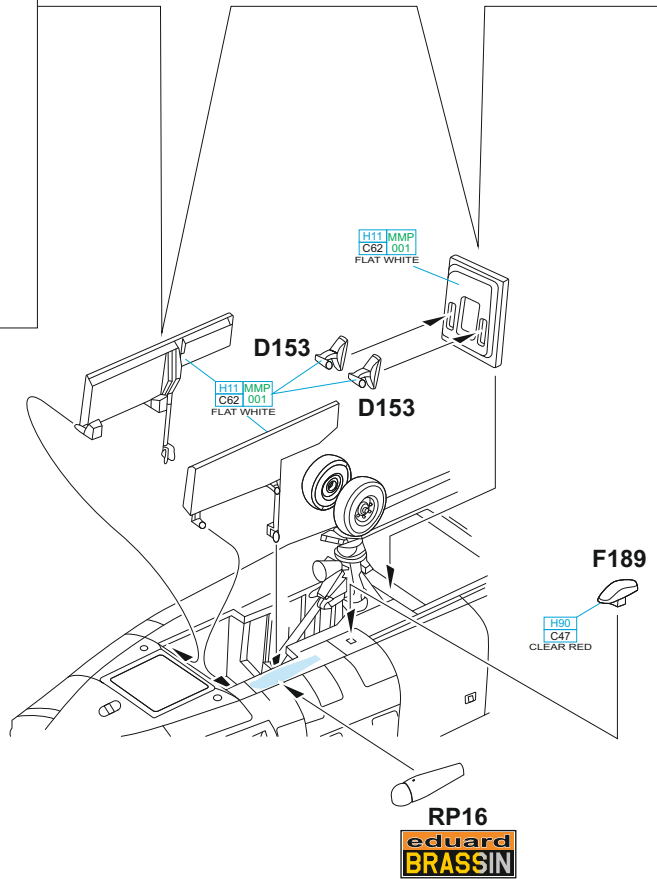
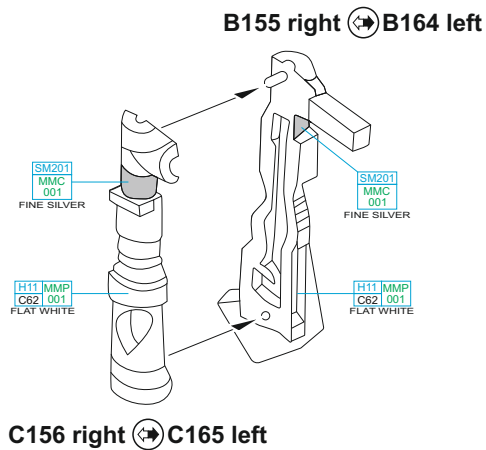




**eduard**  
**BRASSIN**

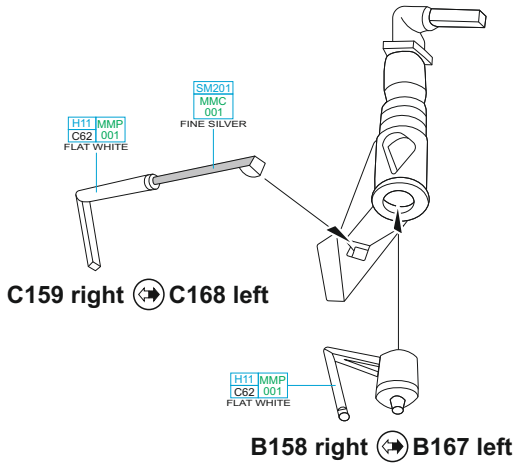


**M** **N**

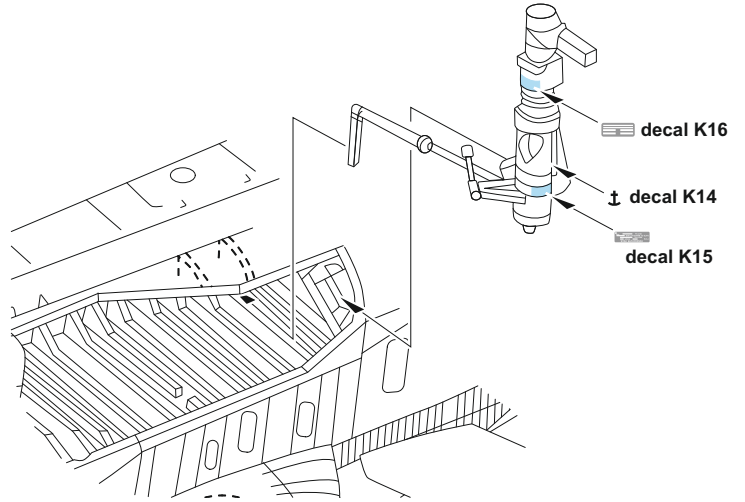


**eduard**  
**BRASSIN**

M → N

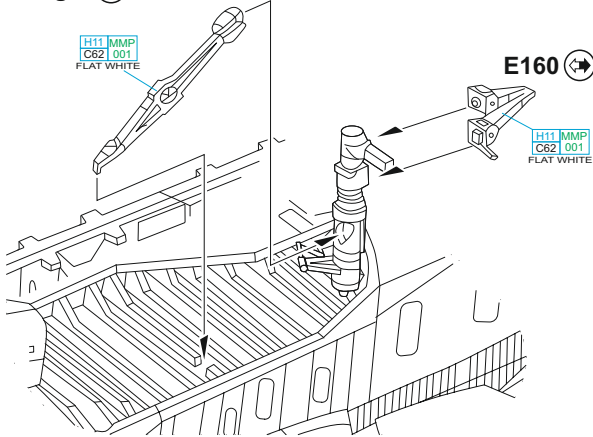


M → N



M → N

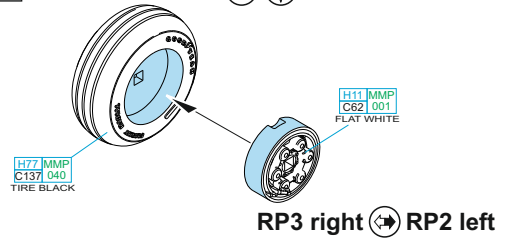
B157 right ↔ B166 left



M → N

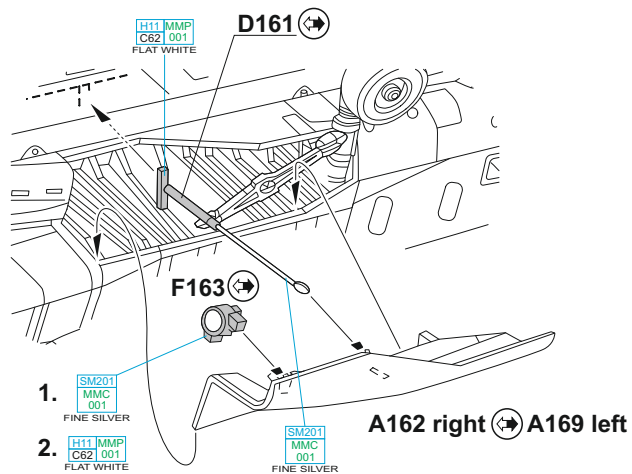
eduard BRASSIN

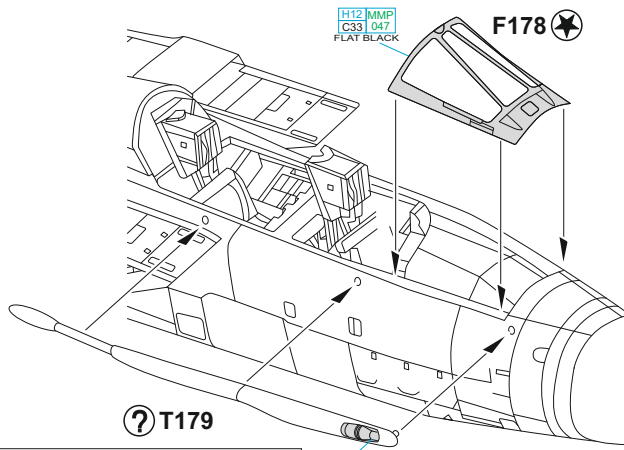
RP1 ↔



M → N

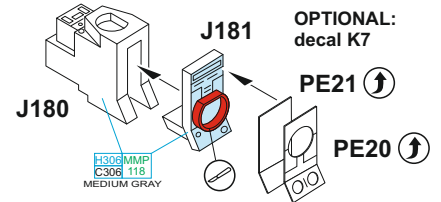
M → N



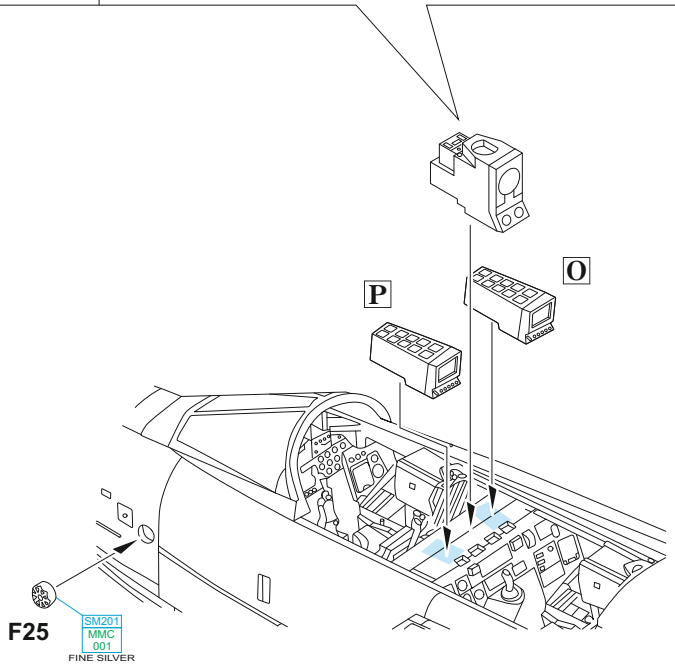
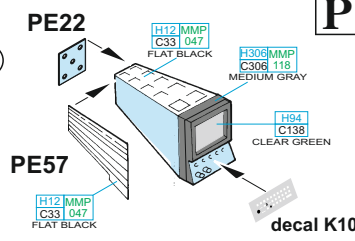
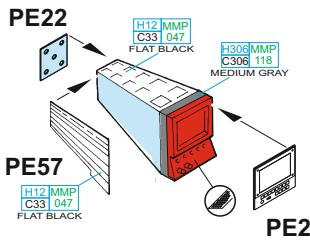
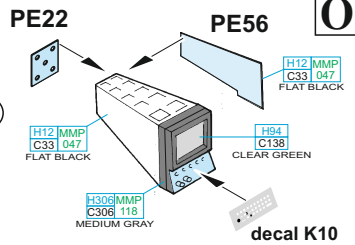
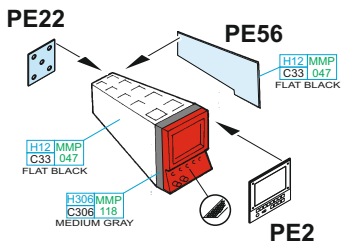
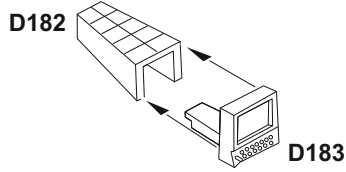


T179 - MARKINGS **B, C, D, E** ONLY

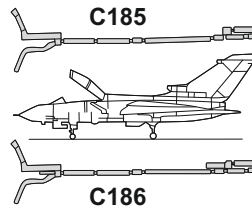
SM201  
MMC  
001  
FINE SILVER



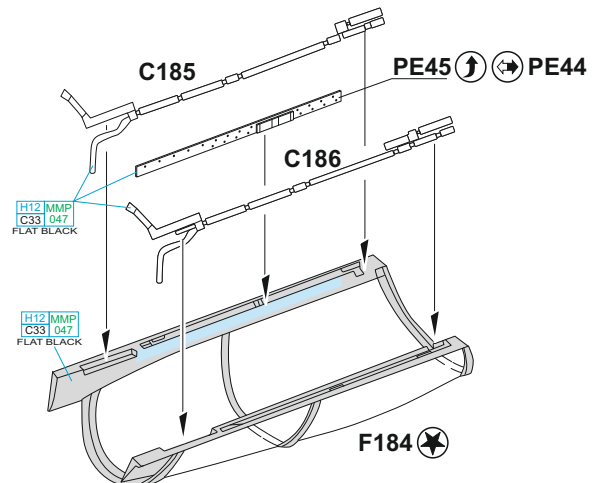
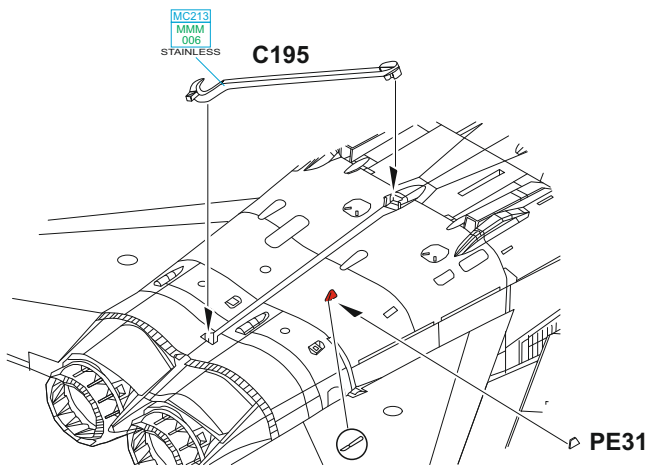
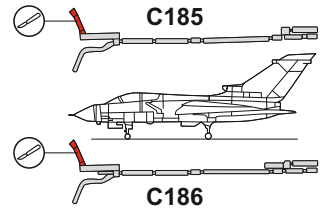
2 pcs.



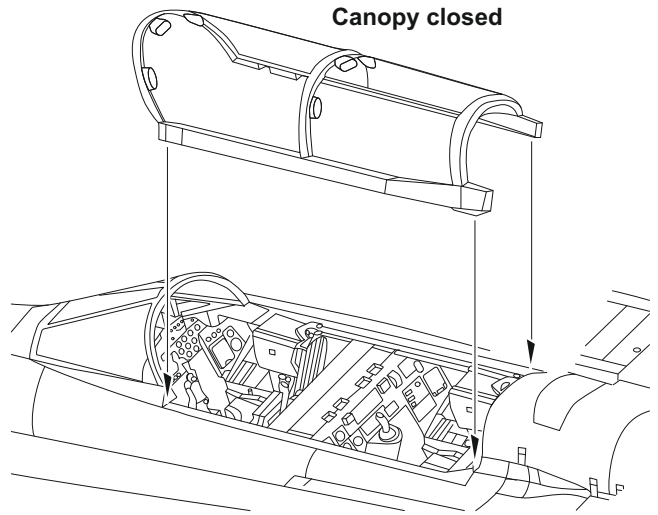
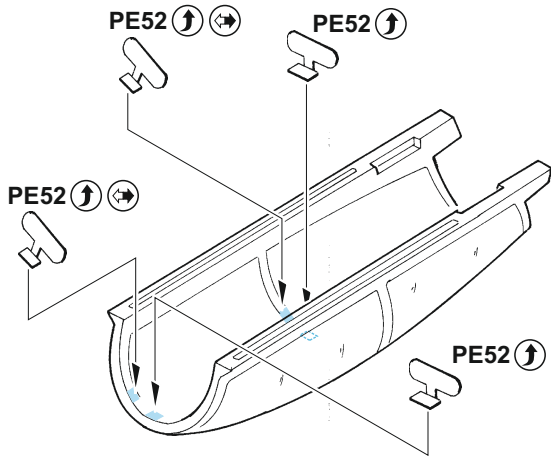
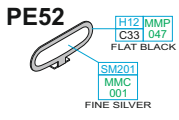
OPEN CANOPY



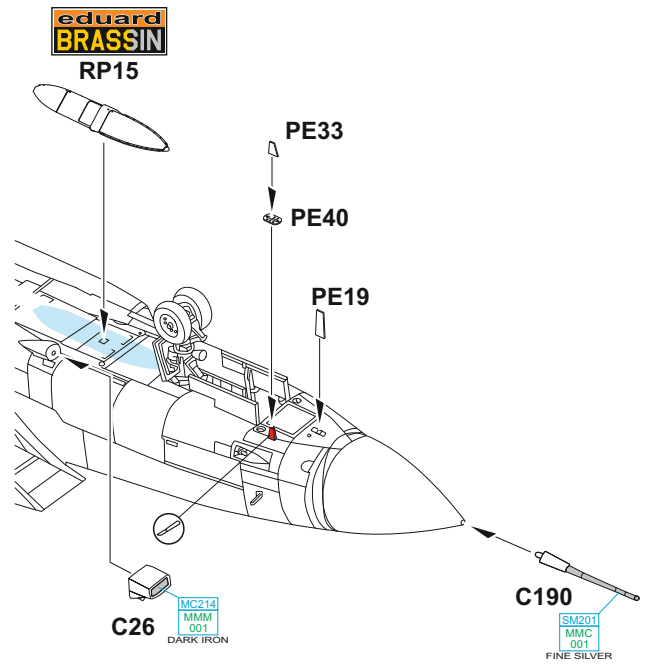
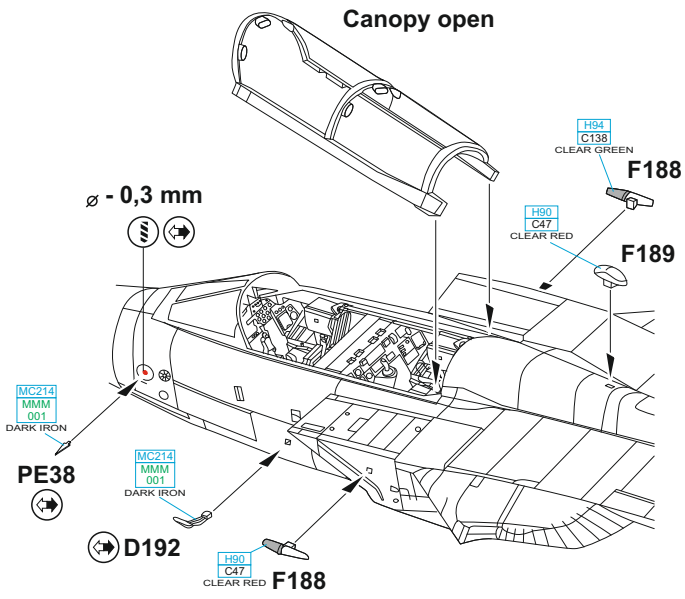
CLOSED CANOPY



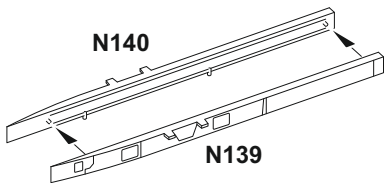




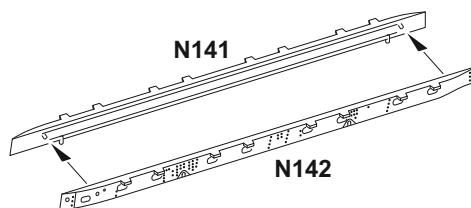
?



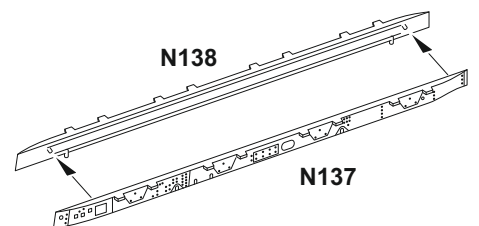
**Q** ? MARKING ONLY



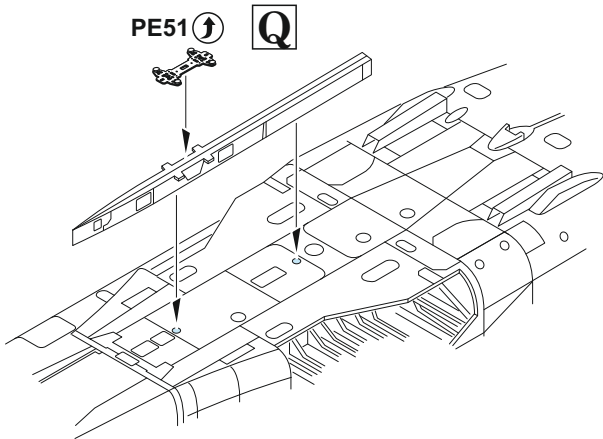
**R**



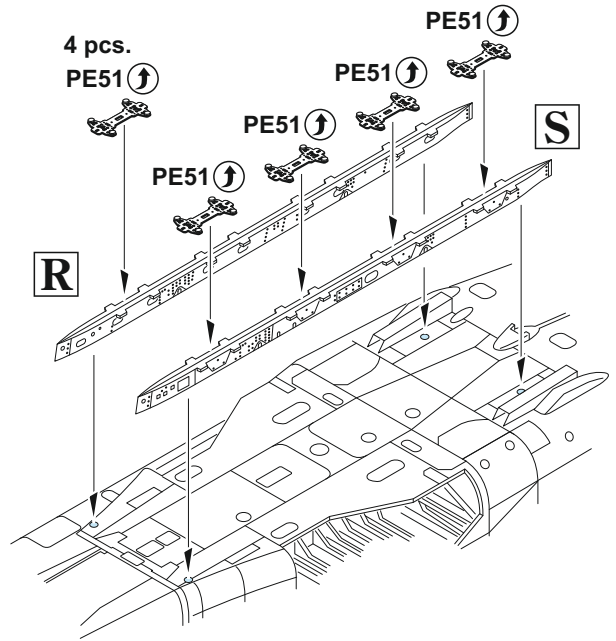
**S**



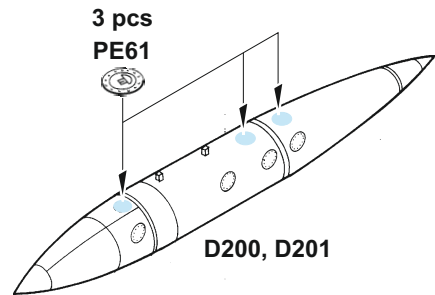
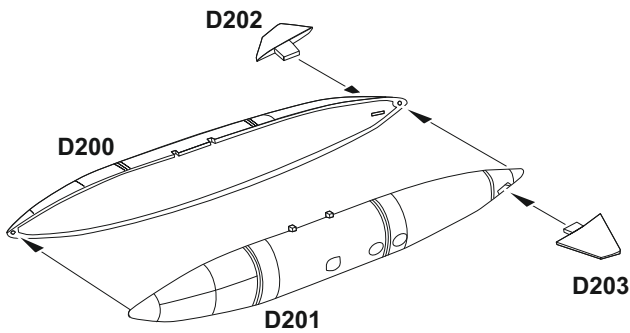
**?** MARKING **E** ONLY



**?**

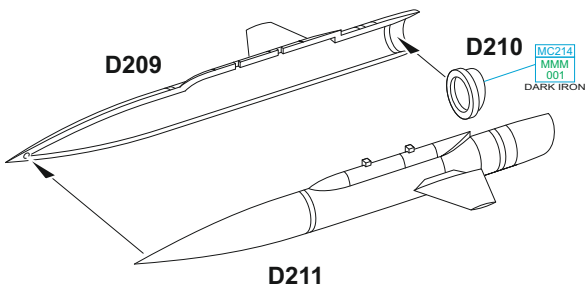


**T** **?** 2 pcs.

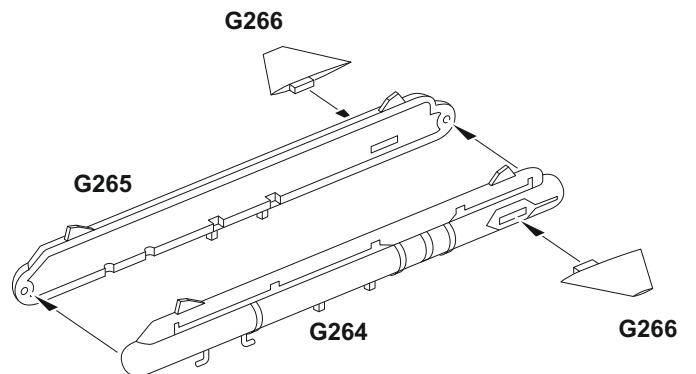


**U** **?** 2 pcs.

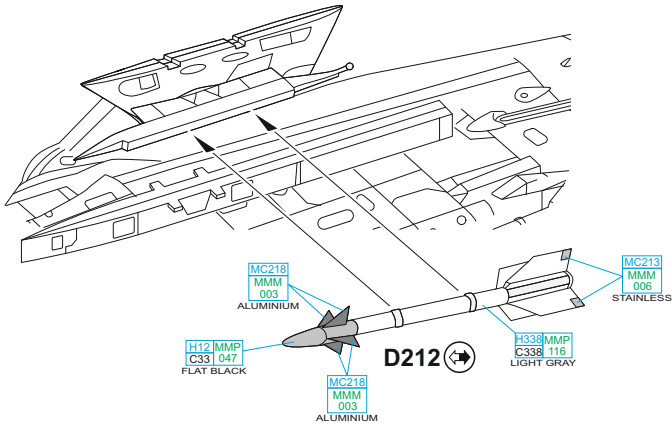
2 pcs. - MARKING **E** ONLY



**V**

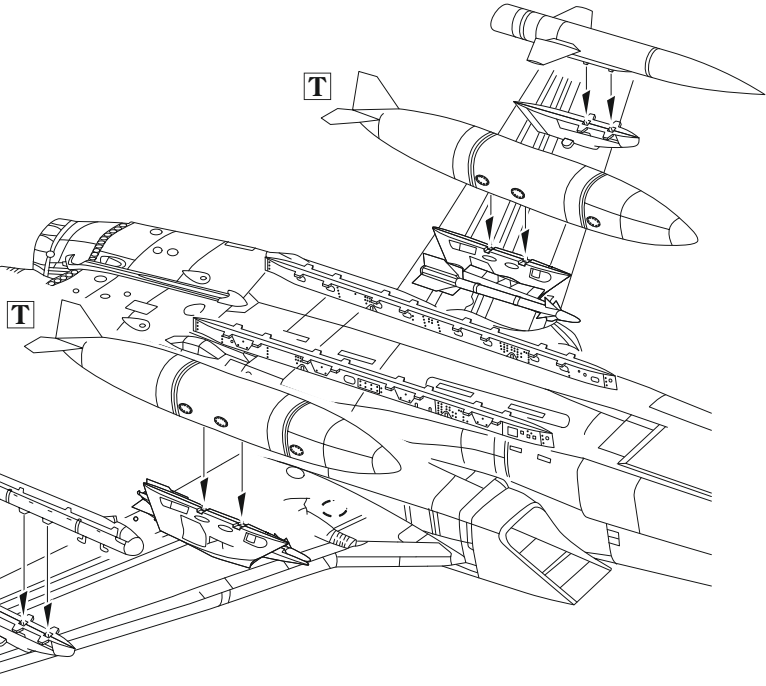


M → N



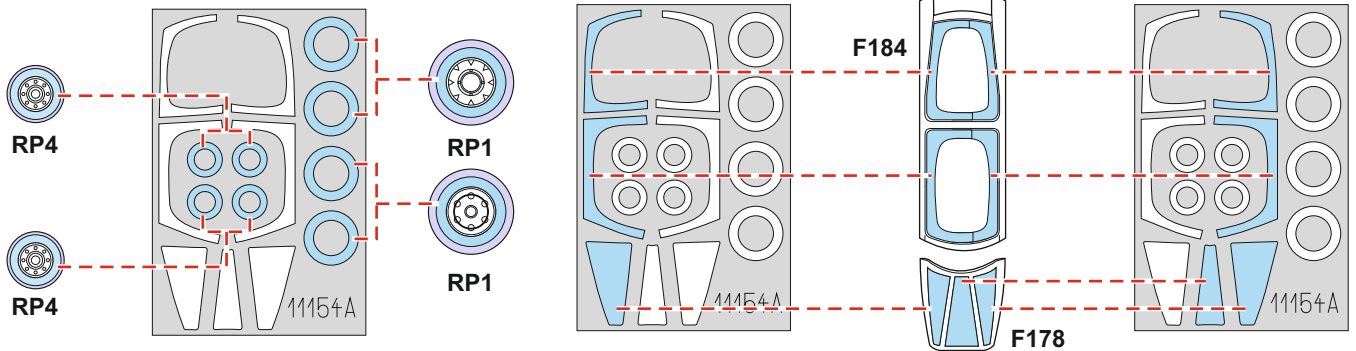
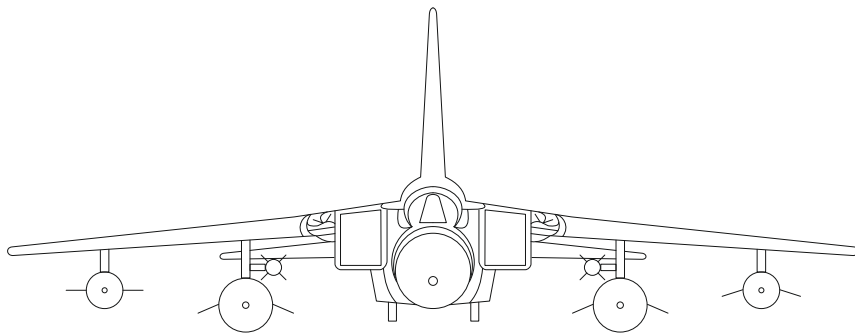
U

T

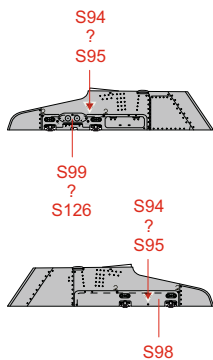


U - MARKING E ONLY

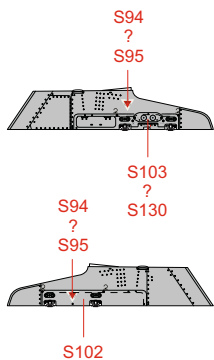
U ? V



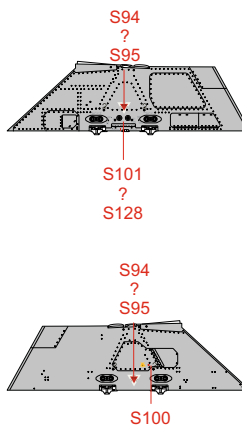
## LEFT OUTER PYLON



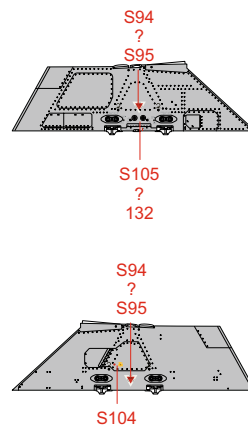
## RIGHT OUTER PYLON



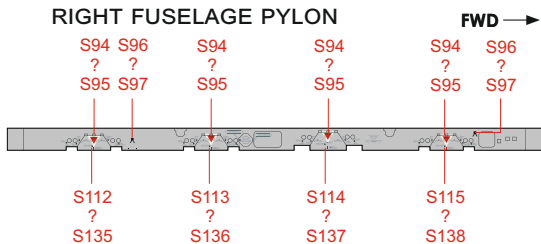
## LEFT INNER PYLON



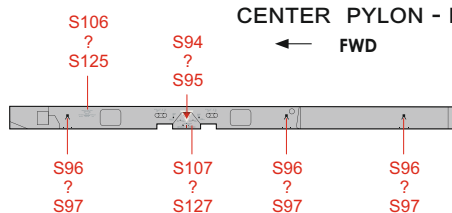
## RIGHT INNER PYLON



## RIGHT FUSELAGE PYLON

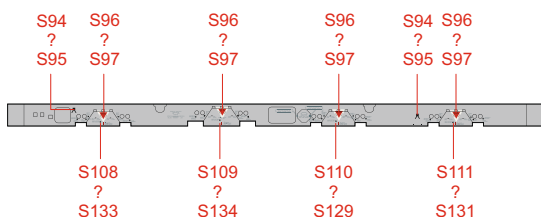


## CENTER PYLON - LEFT

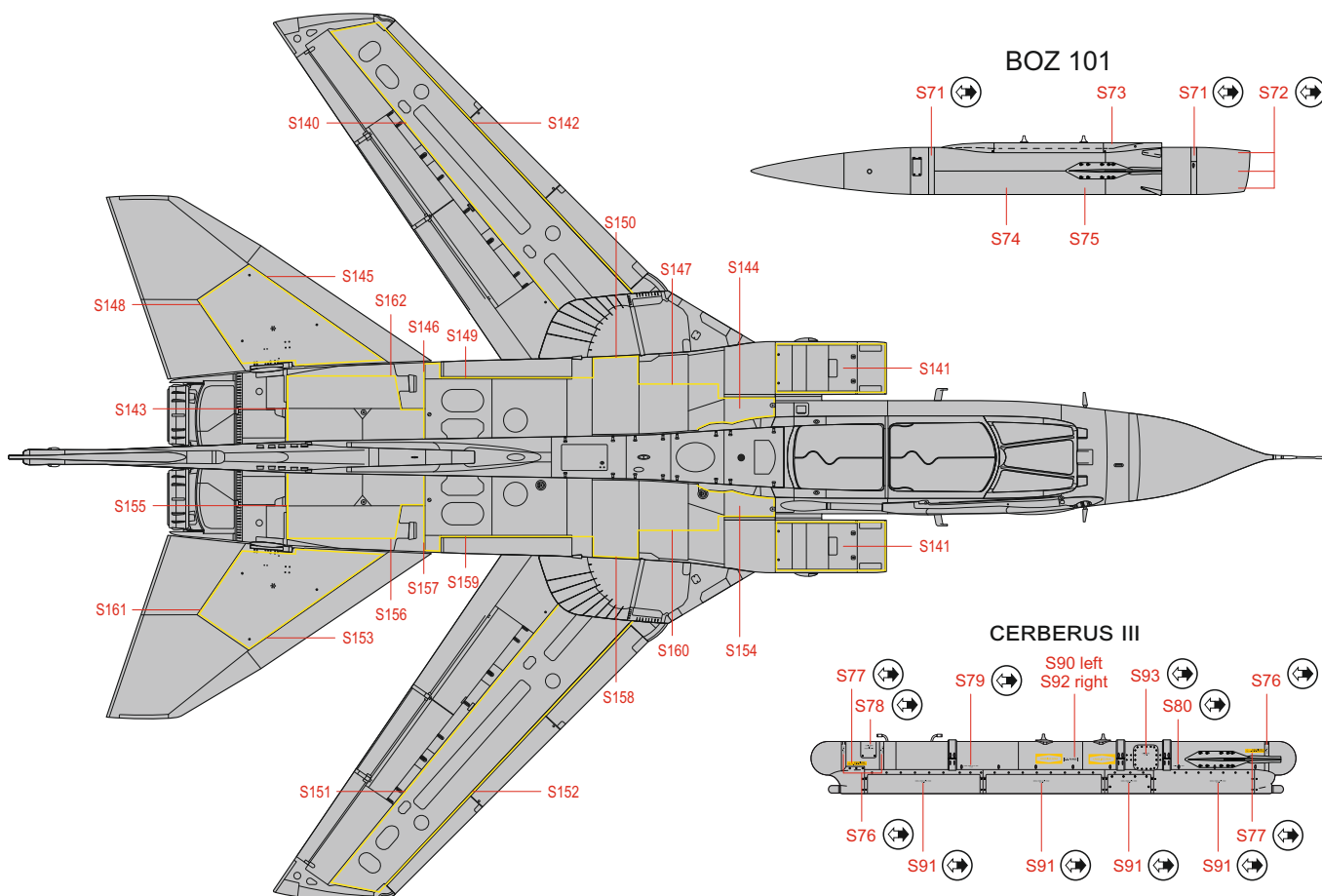
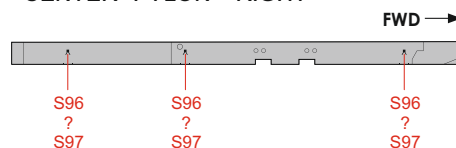


← FWD

## LEFT FUSELAGE PYLON

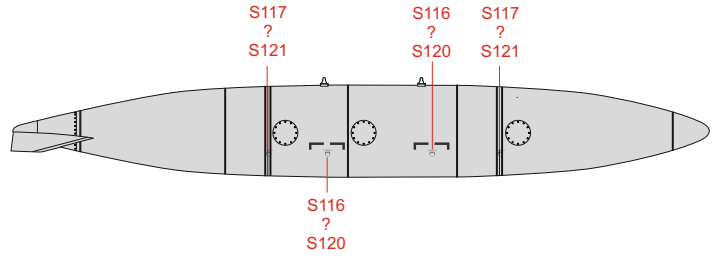
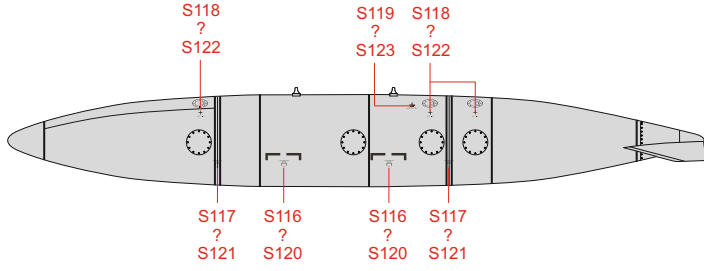


## CENTER PYLON - RIGHT

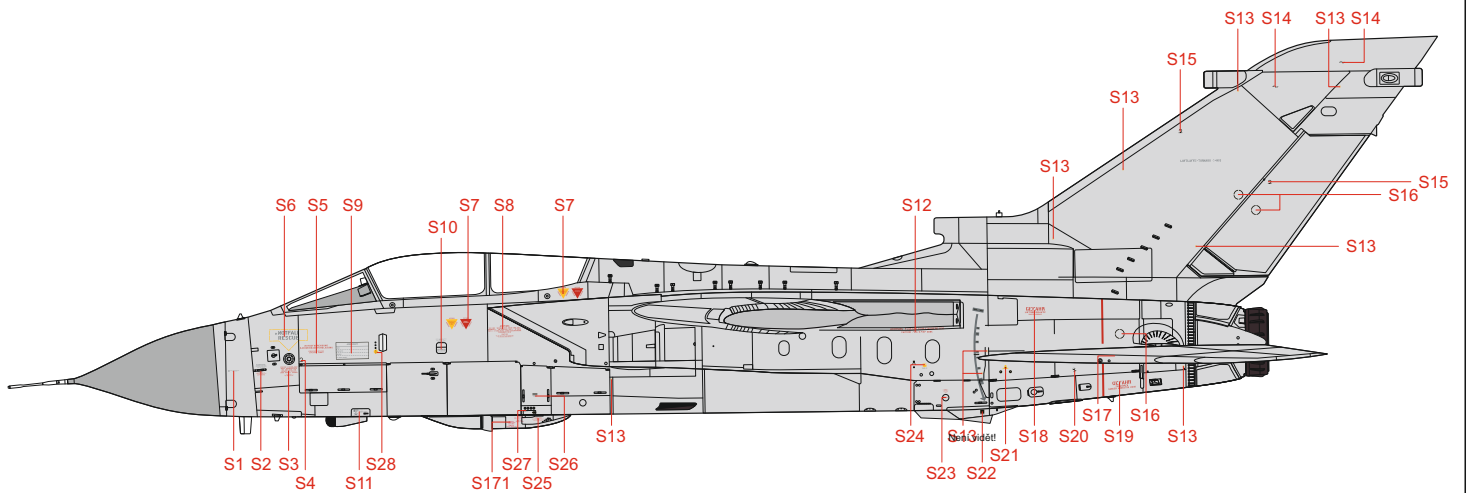
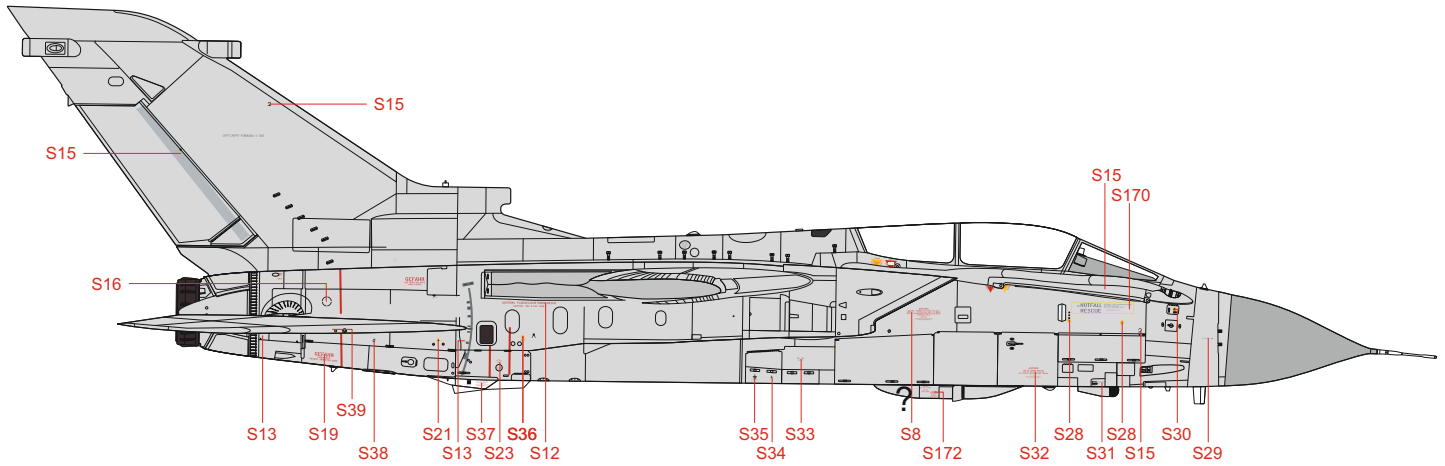
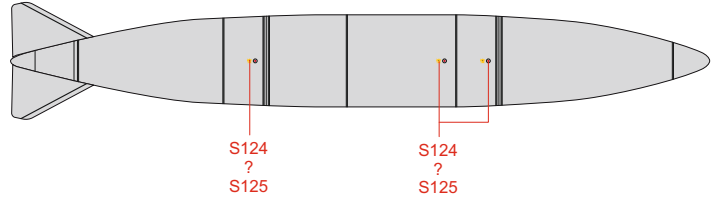
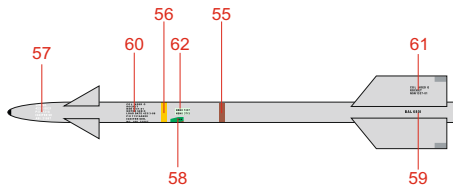


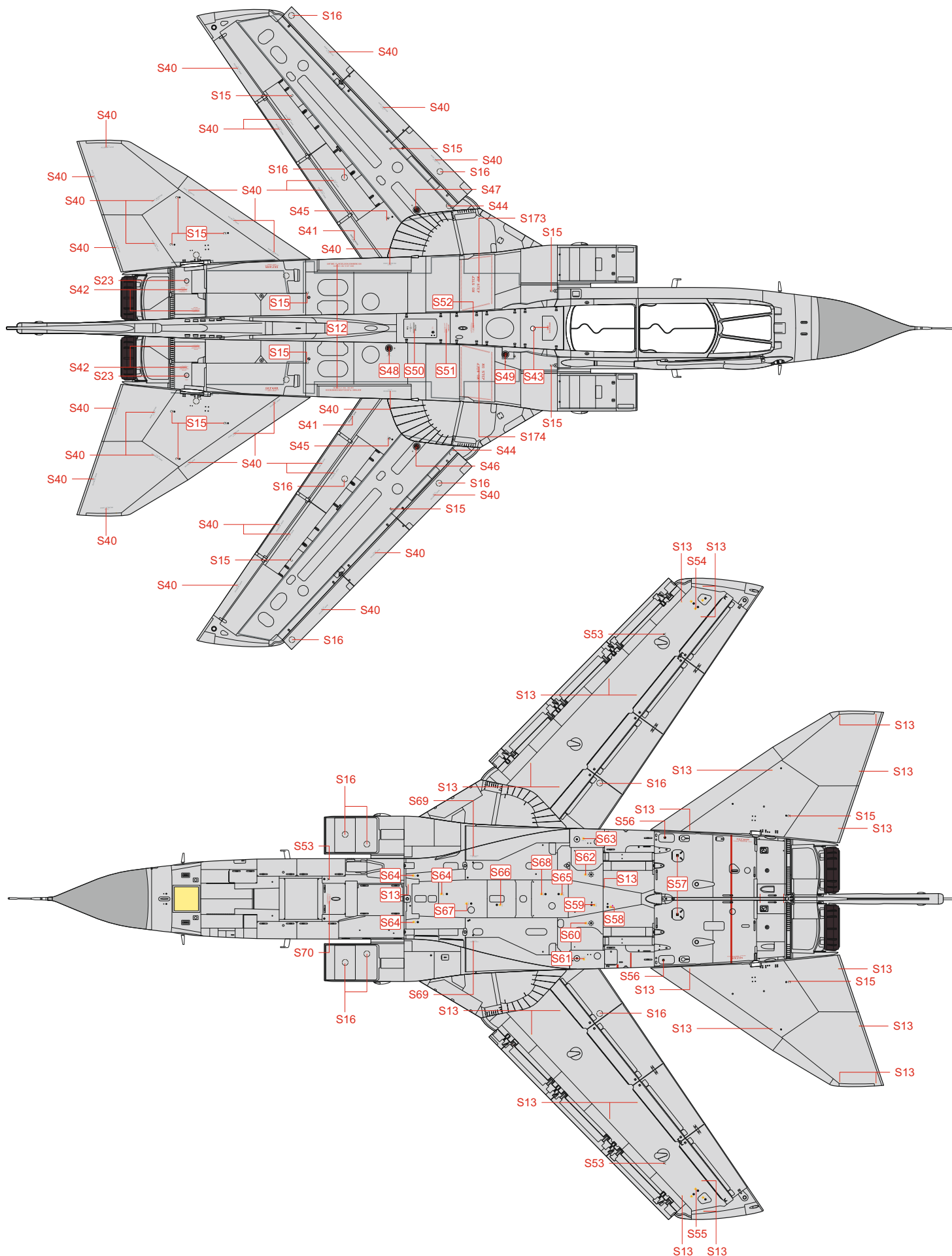


### Auxiliary tank 1500l



### Sidewinder 2x



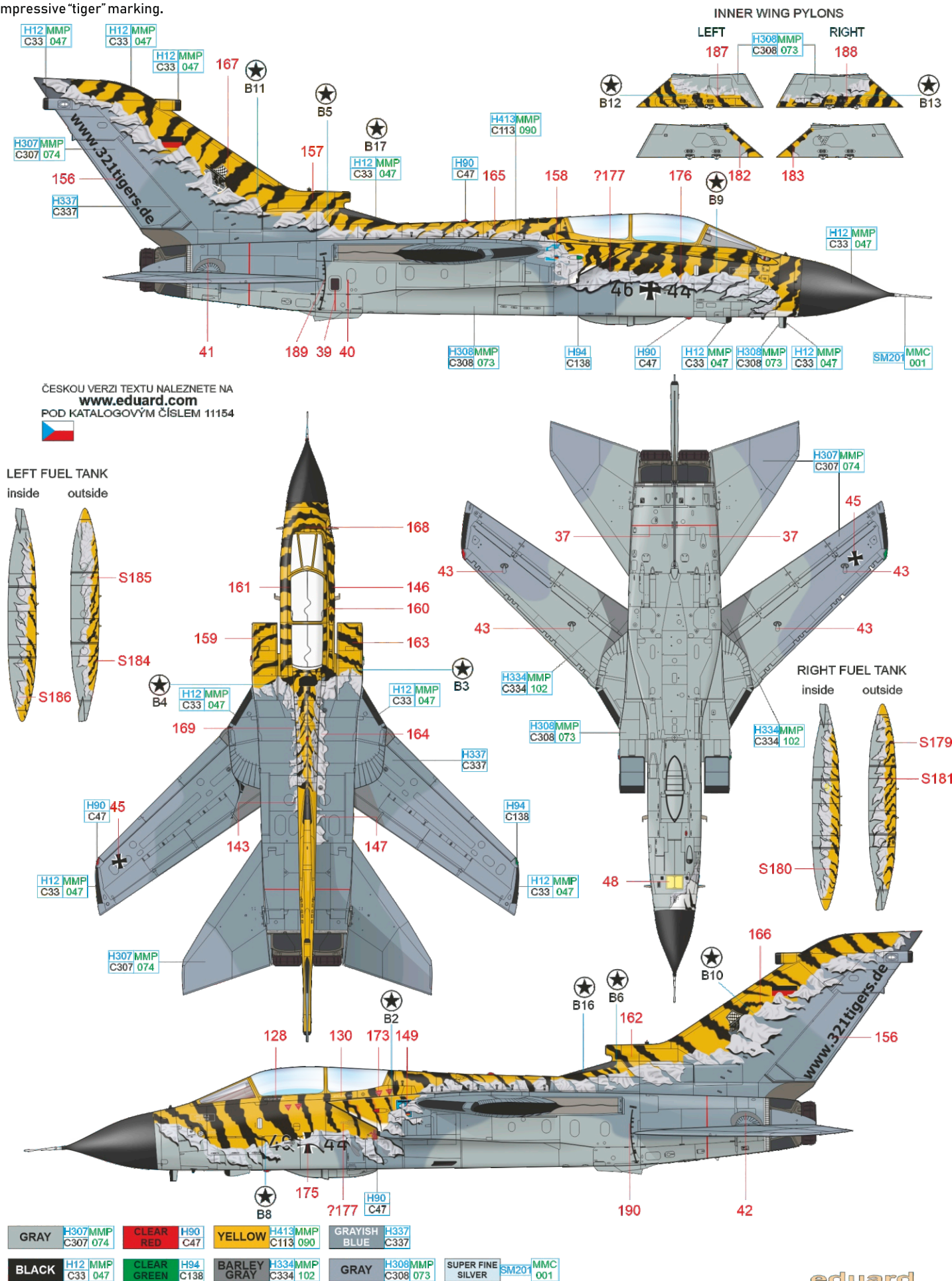






# B 46+44, 1./JaboG 32, Lechfeld Air Base, Germany, June 2001

1. Staffel Jagdbombergeschwader 32, named Die Tigers (The Tigers), was accepted by the NATO Tiger Association in 1994 as a try-out member. This association was formed in 1961 to encourage solidarity among NATO air forces. The association organizes every year meetings called Tiger Meet, during which joint exercises are also held. In 2001, a Tiger Meet was held in Kleine Brogel, Belgium, for which 1<sup>st</sup>/JaboG 32 prepared a Tornado ECR with markings 46+44 in an impressive "tiger" marking.



ČESKOU VERZI TEXTU NALEZNETE NA  
[www.eduard.com](http://www.eduard.com)  
POD KATALOGOVÝM ČÍSLEM 11154





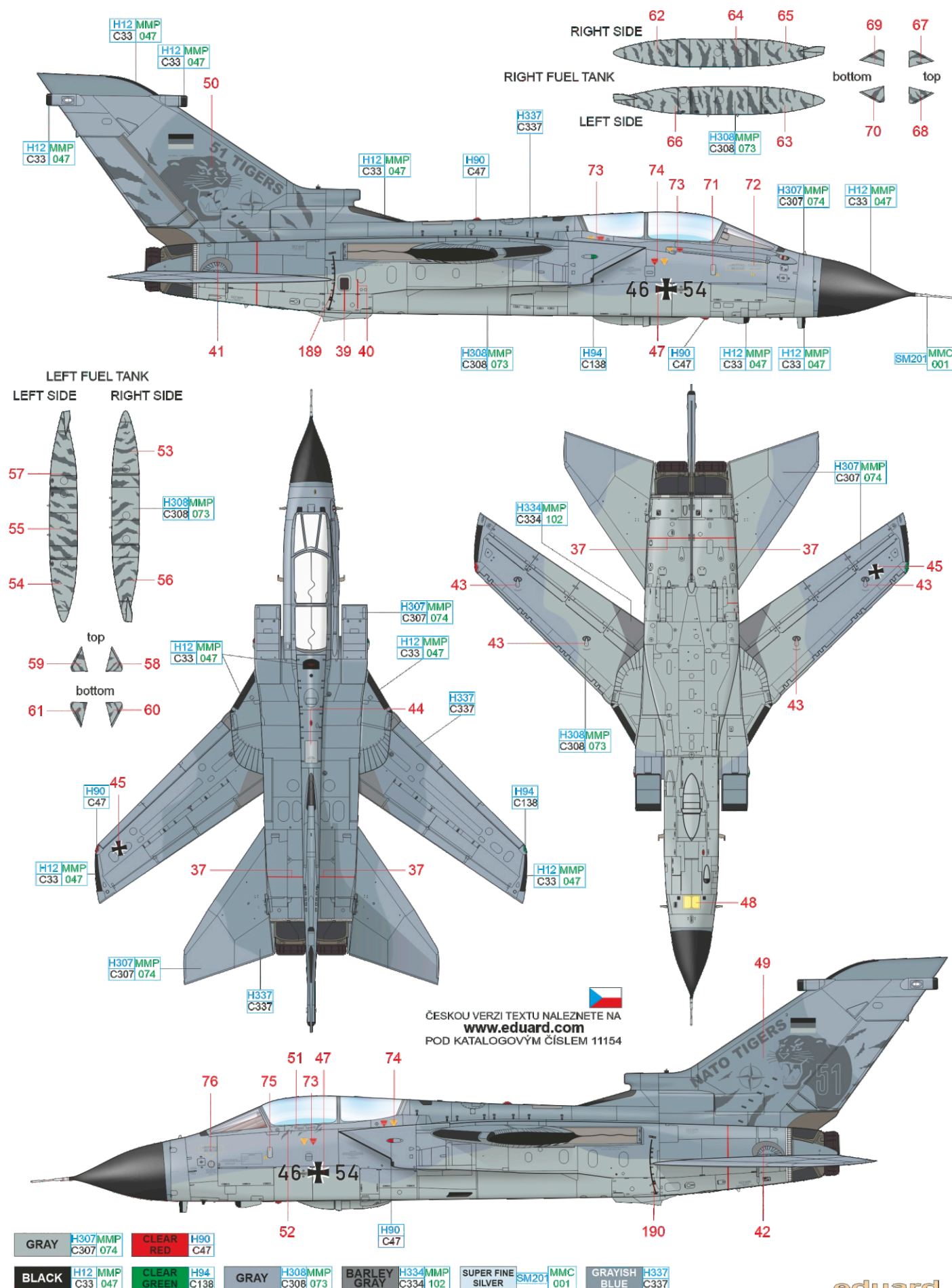
# C 46+45, 2./JaboG 38 „Friesland“, Jever, Germany, June 1993

Tornadoes ECR were the equipment of two units in German Luftwaffe, JaboG 32 and JaboG 38. The former unit was based at Lechfeld in Bavaria, while JaboG 38 was based in the north at Jever in Lower Saxony. This unit was established in August 1983 and was armed with Tornado IDS multirole aircraft. ECR Tornados formed equipment of its 2. Staffel in 1989, and they were used until 1995, when the ECR Tornados were handed over to JaboG 32. On August 31, 2005, JaboG 38 was disbanded.



# D 46+54, TLG 51 „Immelmann“, Schleswig-Jagel Air Base, Germany, July 2017

Taktisches Luftwaffengeschwader 51 was formed by renaming Aufklärungsgeschwader 51 on September 30, 2013. This unit, equipped with IDS and ECR Tornados, is based at the Schleswig-Holstein base Schleswig-Jagel. The camouflage of Tornado coded 46+54, was sprayed in standard Norm 95 three shades of grey but has been complemented with tiger stripes on the external drop tanks and rudder, while a drawing of a feline beast and the inscription NATO TIGERS have been added to the vertical fin. All the paintwork was made due to participation of the aircraft at Tiger Meet 2017 exercise in Landivisiau, France.



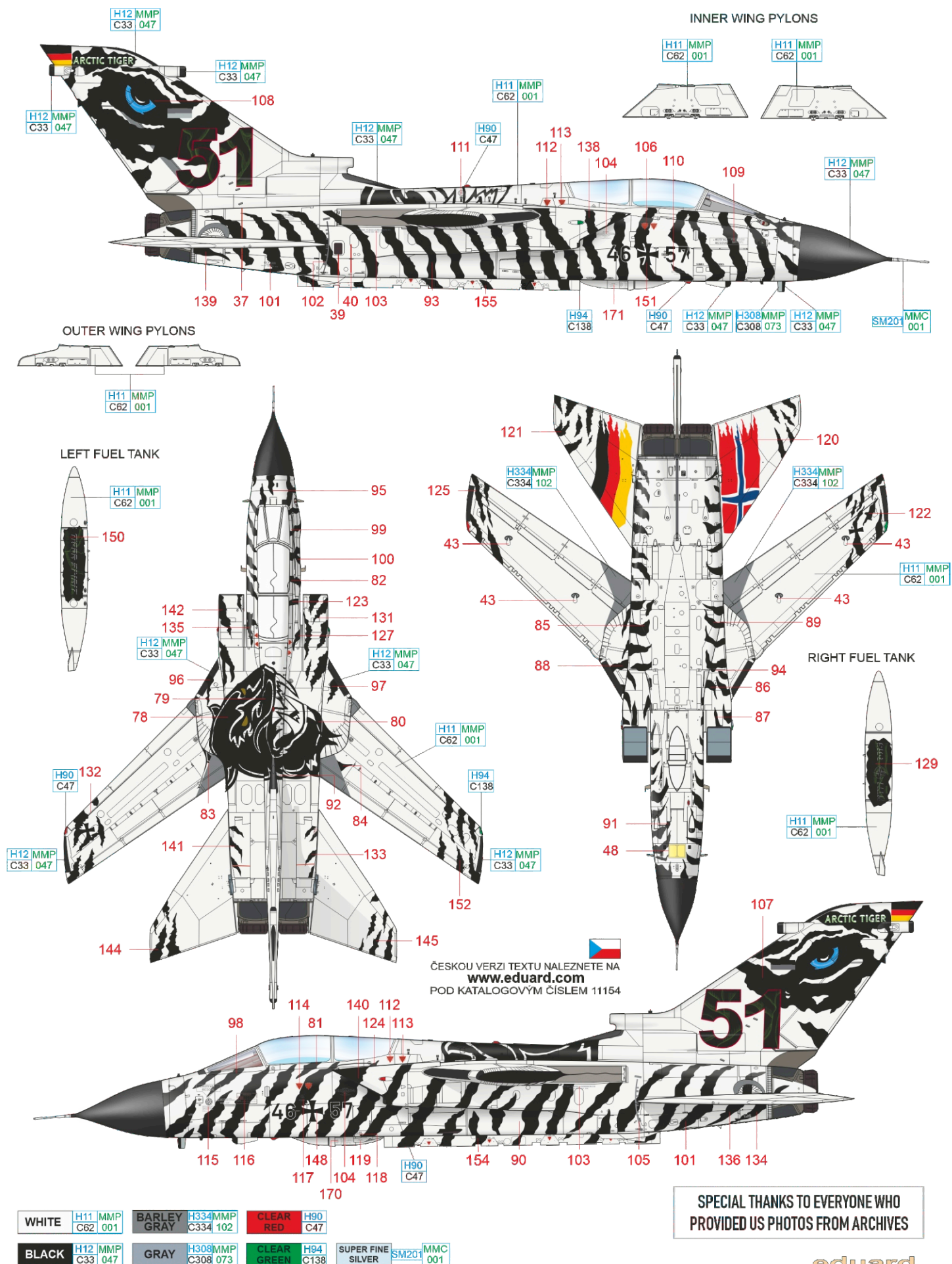
ČESKOU VERZI TEXTU NALEZNETE NA  
**www.eduard.com**  
 POD KATALOGOVÝM ČÍSLEM 11154

GRAY	H307 MMP C307 074	CLEAR RED	H90 C47
BLACK	H12 MMP C33 047	CLEAR GREEN	H94 C138
GRAY	H308 MMP C308 073	BARLEY GRAY	H334 MMP C334 102
SUPER FINE SILVER	SM201	MMC 001	GRAYISH BLUE
	H337 C337		



# E 46+57, AG 51, Schleswig-Jagel Air Base, Germany, July 2013

Aufklärungsgeschwader 51, the predecessor of TaktLwG 51, was re-activated in January 1994. The previous AG 51, along with its sister AG 52 unit (both flying RF-4E reconnaissance Phantoms), was disbanded in mid-1993. The newly formed AG 51 received the Tornado IDS supplemented with the ECR version. The Tornado ECR in this livery was presented at the 2013 Tiger Meet held in Orland, Norway, where AG 51 won the Silver Tiger Trophy.



ČESKOU VERZI TEXTU NALEZNETE NA  
[www.eduard.com](http://www.eduard.com)  
 POD KATALOGOVÝM ČÍSLEM 11154

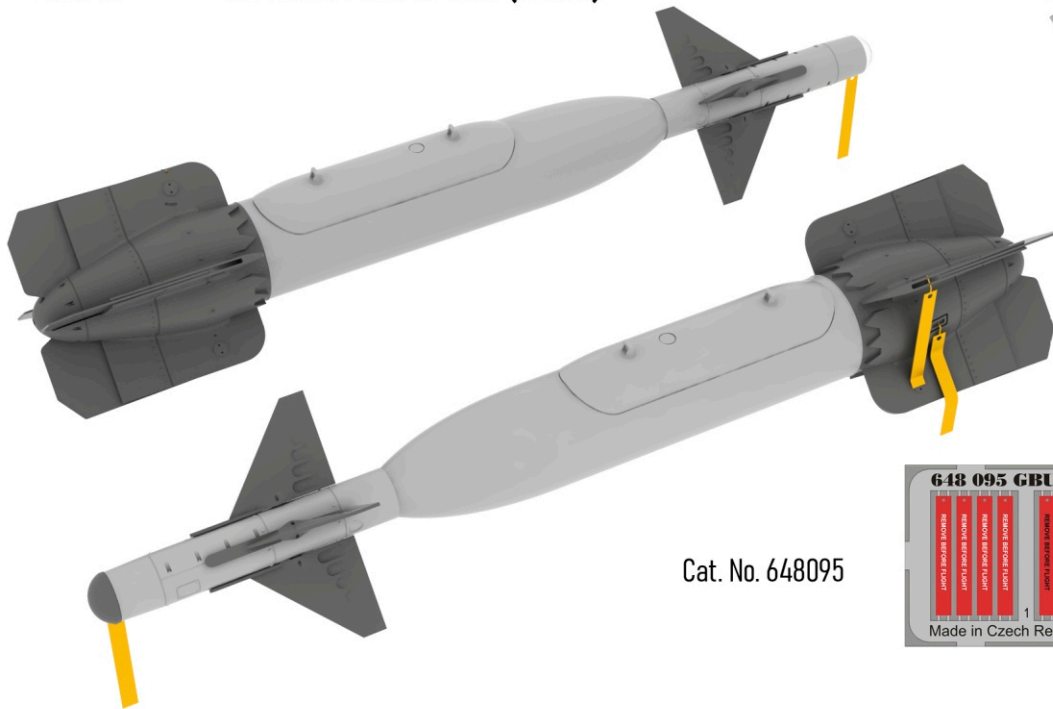
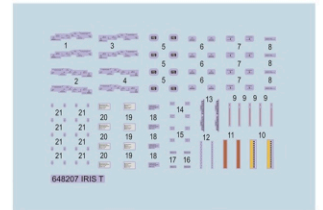
SPECIAL THANKS TO EVERYONE WHO PROVIDED US PHOTOS FROM ARCHIVES

WHITE	H11 MMP C62 001	BARLEY GRAY	H334 MMP C334 102	CLEAR RED	H90 C47
BLACK	H12 MMP C33 047	GRAY	H308 MMP C308 073	CLEAR GREEN	H94 C138
				SUPER FINE SILVER	SM201 MMC 001

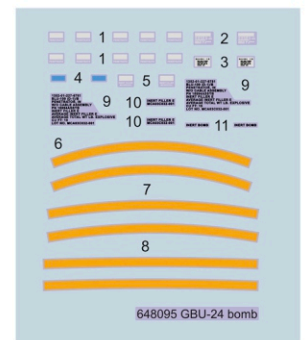
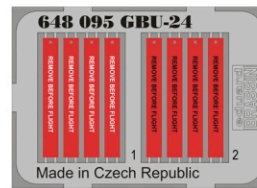
**eduard**

- 644136 Tornado ECR LööK (Brassin)
- 648029 AIM-9M/L (Brassin)
- 648095 GBU-24 (Brassin)
- 648180 AGM-88 HARM (Brassin)
- 648207 IRIS-T (Brassin)
- 648527 BOZ-EC pod (Brassin)
- 648564 GBU-54 (Brassin)
- 648715 TSPJ pod PRINT (Brassin)
- 3DL48056 Tornado ECR SPACE (3D Decal Set)
- EX824 Tornado ECR TFace (Mask)

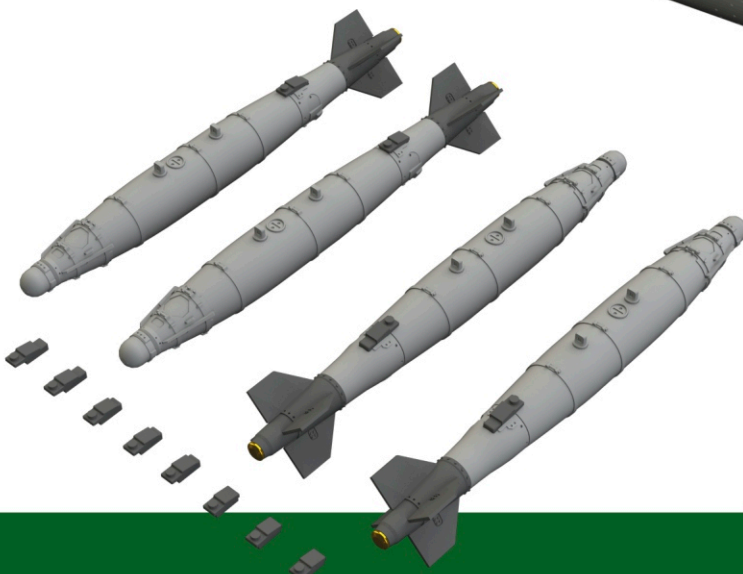
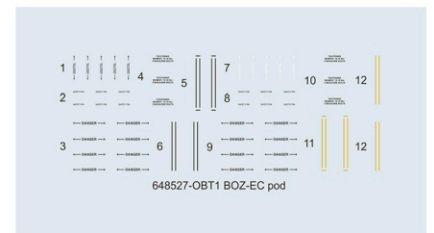
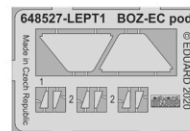
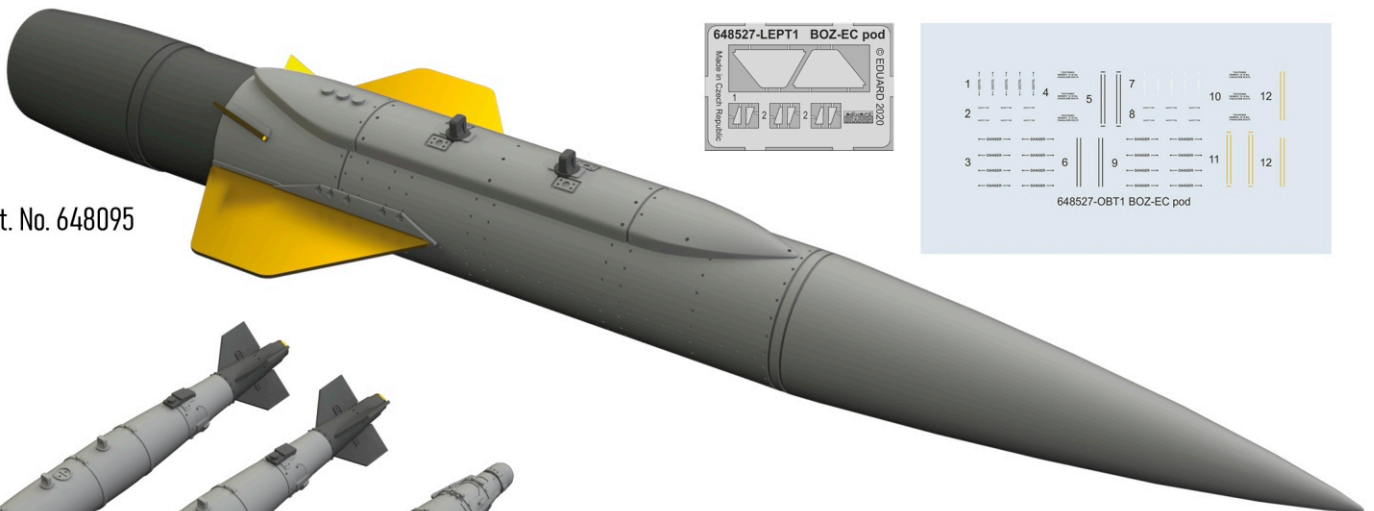
Cat. No. 648207



Cat. No. 648095



Cat. No. 648095



Cat. No. 648564

