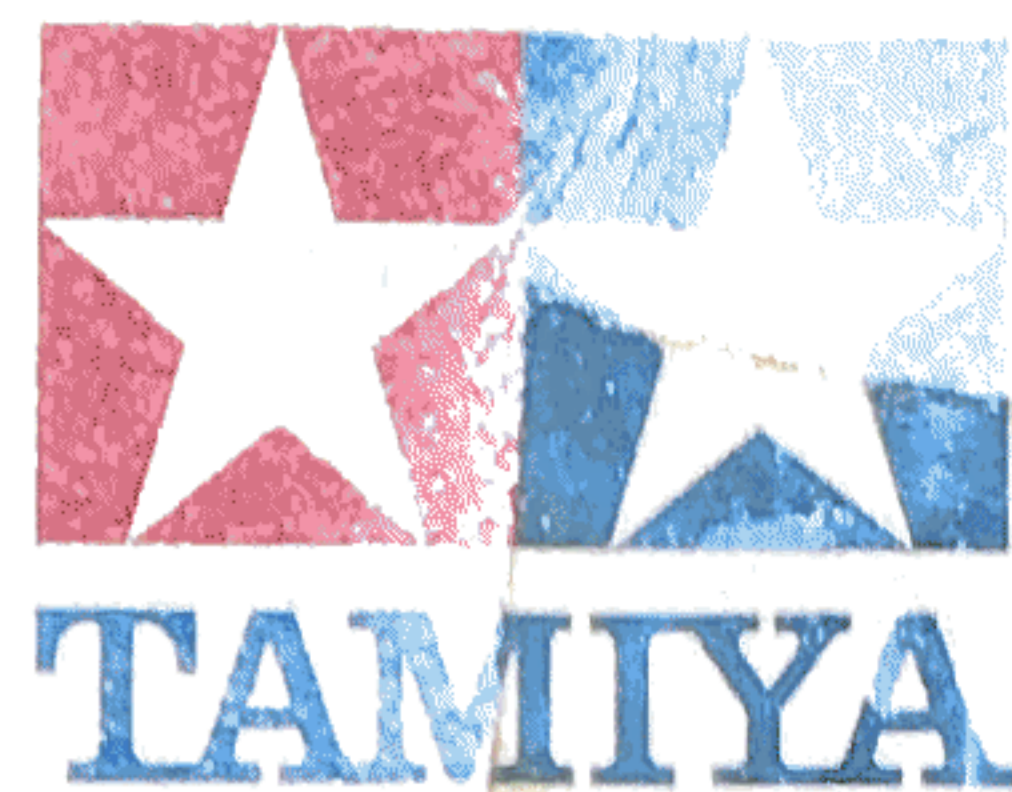


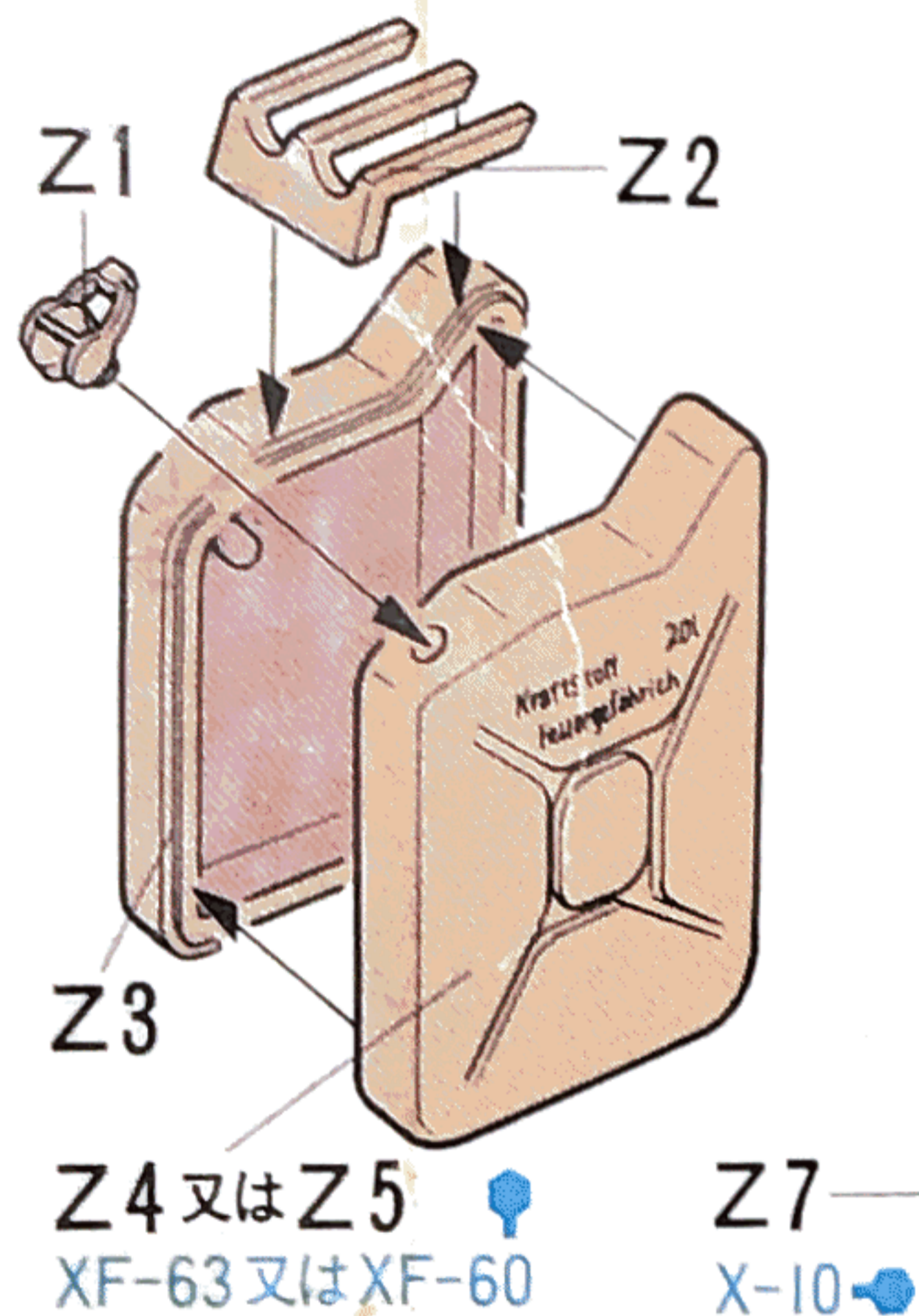
MILITARY MINIATURES

1/35 GERMAN FUEL DRUM SET — ドイツ・ドラム・セット

★READY TO ASSEMBLE PRECISION MODEL KIT ★MODELING SKILLS HELPFUL IF UNDER 10 YEARS OF AGE

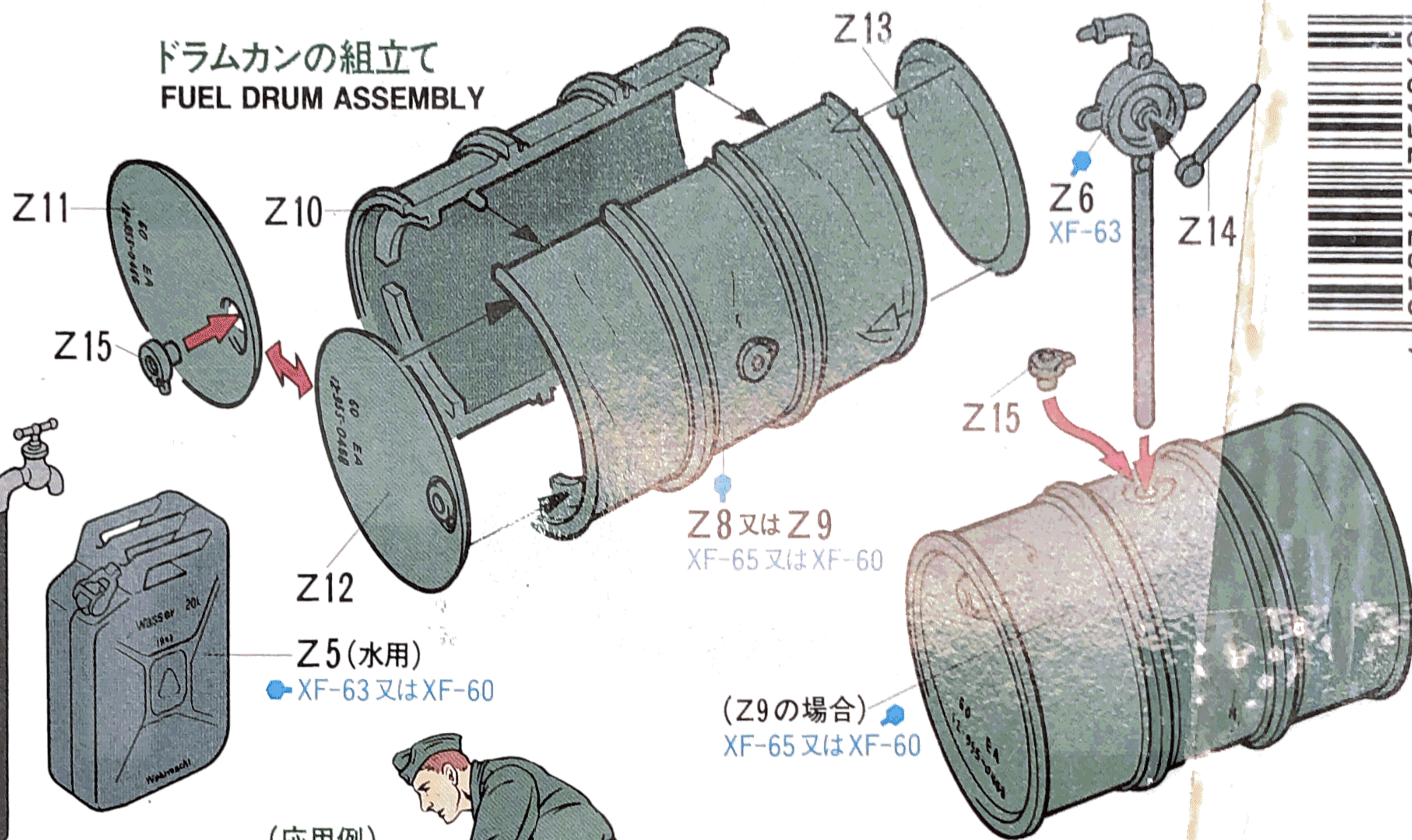


ジェリカンの組立て JERRY CAN ASSEMBLY



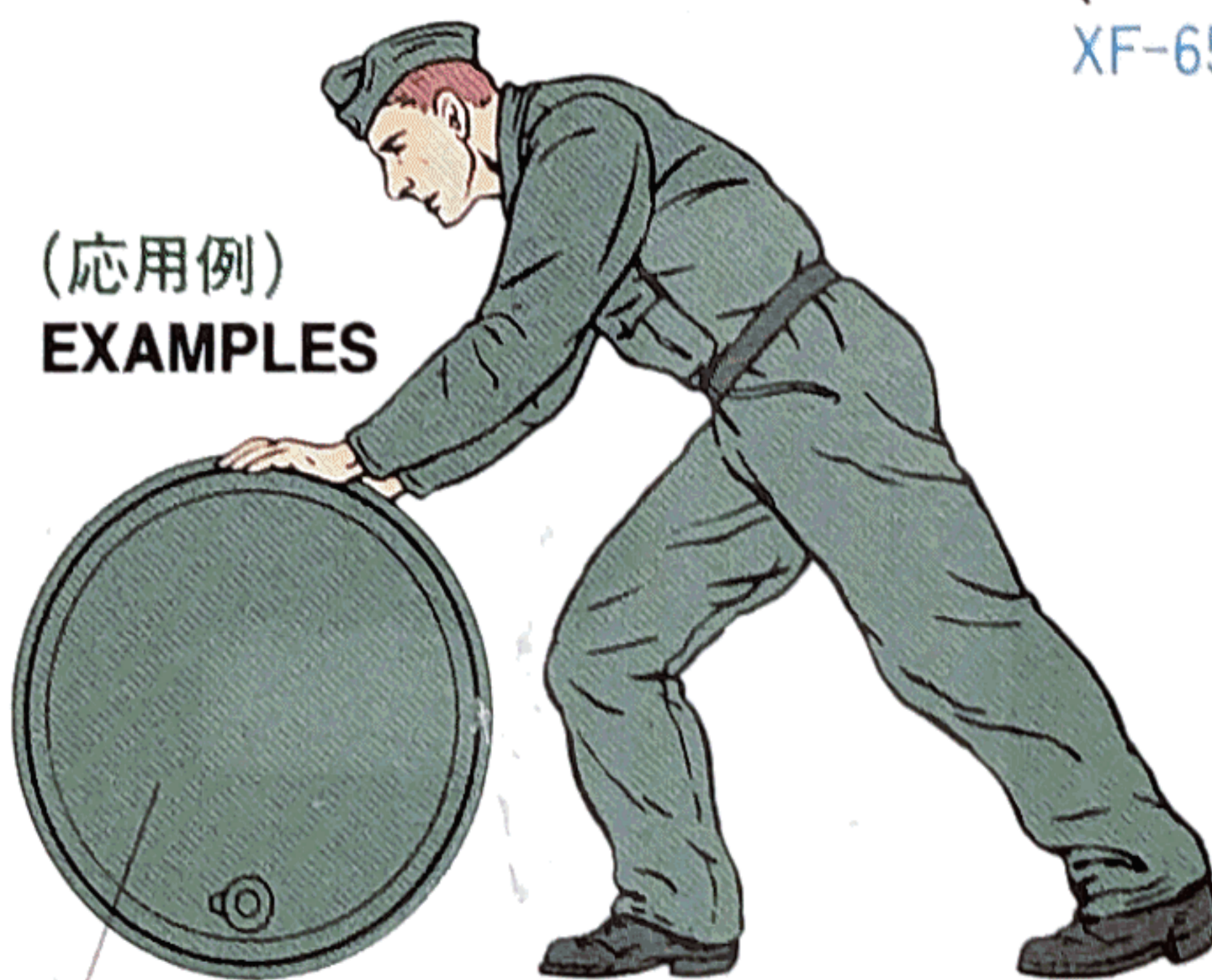
塗装は ● の色指示に従って下さい。
★The ● mark indicates Tamiya Paint Color number.

ドラムカンの組立て FUEL DRUM ASSEMBLY



(Z9の場合) ●
XF-65 又は XF-60

(応用例) EXAMPLES



ドラムカンを転がして運ぶ。
Rolling a drum

ジェリカンに水を補給
Filling a Jerry can with water



セットに人形は含まれません。
Figure not included.

《セット内容》第二次世界大戦でドイツ軍が使用した200ℓドラムカン6個と20ℓジェリカン16個、ハンドポンプと水道の蛇口各2個のセットです。車輛への給油や各種の液体の輸送用など、あらゆる戦線で使用されます。本セットは、本物の保護バンプなどモデル化。★状態をそれぞれは内容物(ガソリン)に。《塗装について》ジャーマン戦線ではタ多かったです。水が入ったジェリカンは十字が描かれてガソリンなどと区別されていました。



10200 049919 12423



4 950344 351862

Raw materials, such as fuel and water, are the life line of every army. During World War 2 the German Army carried these vital supplies in special steel drums and cans. Fuel drums were sometimes mounted on tanks and other wheeled vehicles to increase their operation range. This set provides these drums and cans, reproduced in 1/35 scale, which are especially useful as diorama modeling accessories. **《Contents》** The set contains six 200 liter fuel drums, sixteen 20 liter Jerry cans, two stand pipes, and two hand pumps. **★Fuel drums are molded with the two protection rings for rolling the drums. ★Two drum lids are molded without fuel caps, so that a pump can be inserted. Separately molded filler caps are also supplied. ★Jerry cans are reproduced with the pressed letters showing "Wasser" and "Benzinkanister".** **《Painting》** German drums and cans were painted in German Gray or Field Gray for the most part; however, on the African front they were painted in dark yellow. A white cross was added to the cans containing water, for quick identification.