

YF-23



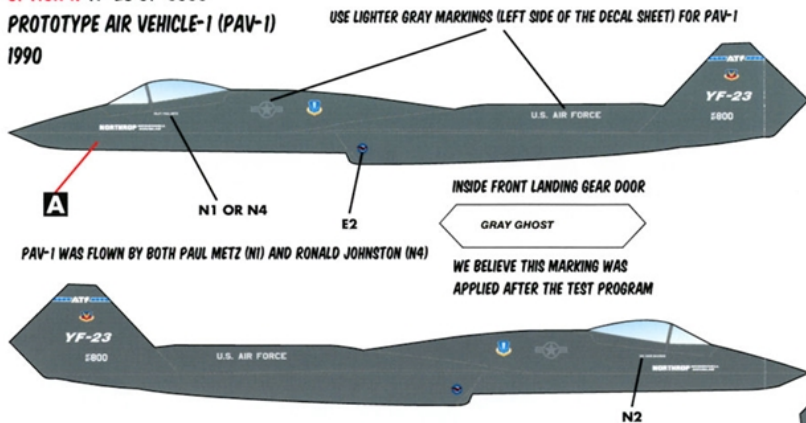
**MARKINGS FOR BOTH YF-23 PROTOTYPES
DESIGNED FOR THE HOBBY BOSS KIT**

1/48 SCALE

DECALS PRINTED BY

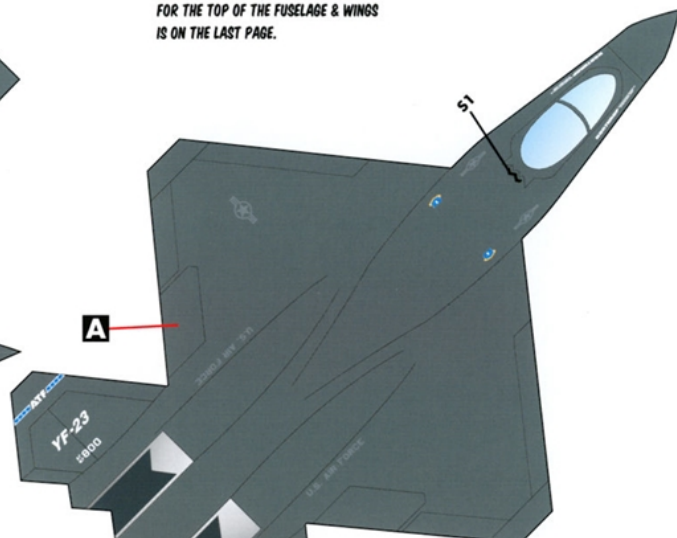


OPTION 1: YF-23 87-0800
PROTOTYPE AIR VEHICLE-1 (PAV-1)
 1990

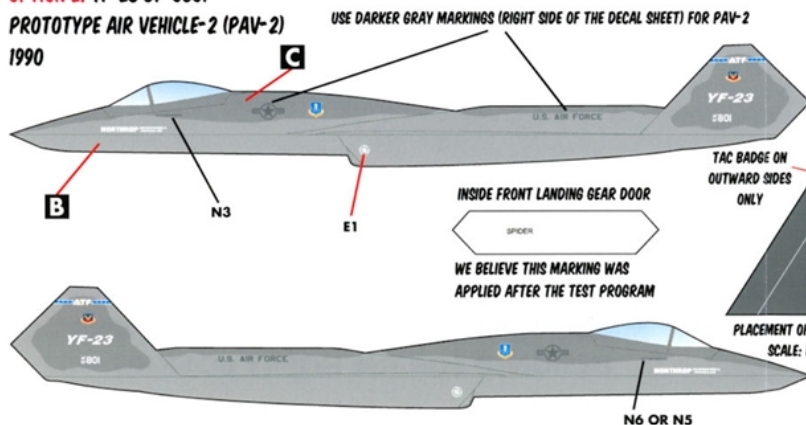


PAV-1 WAS FLOWN BY BOTH PAUL METZ (N1) AND RONALD JOHNSTON (N4)

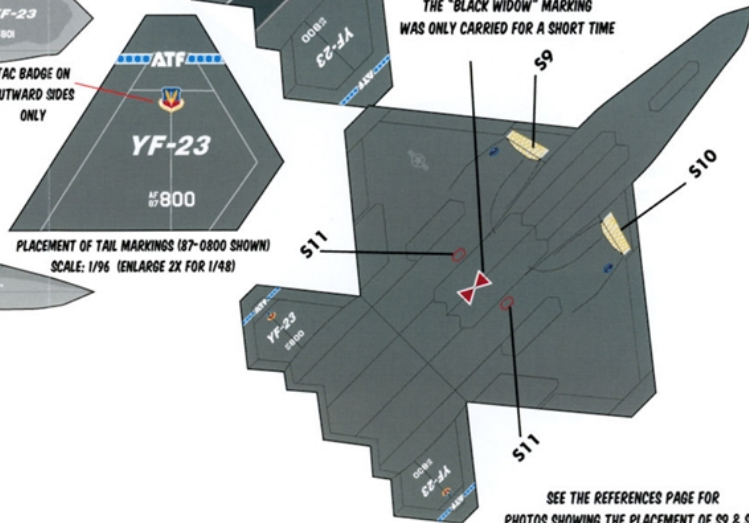
STENCIL PLACEMENT INFORMATION
 FOR THE TOP OF THE FUSELAGE & WINGS
 IS ON THE LAST PAGE.



OPTION 2: YF-23 87-0801
PROTOTYPE AIR VEHICLE-2 (PAV-2)
 1990



DAVE MAURICE (N6) WAS THE CREW CHIEF FOR BOTH PAV-1 AND PAV-2.
 PHOTOS ALSO SHOW MIKE FOXGROVER'S (N5) NAME ON PAV-2 ON EXHIBIT AFTER THE TEST PROGRAM.



SEE THE REFERENCES PAGE FOR
 PHOTOS SHOWING THE PLACEMENT OF S9 & S10

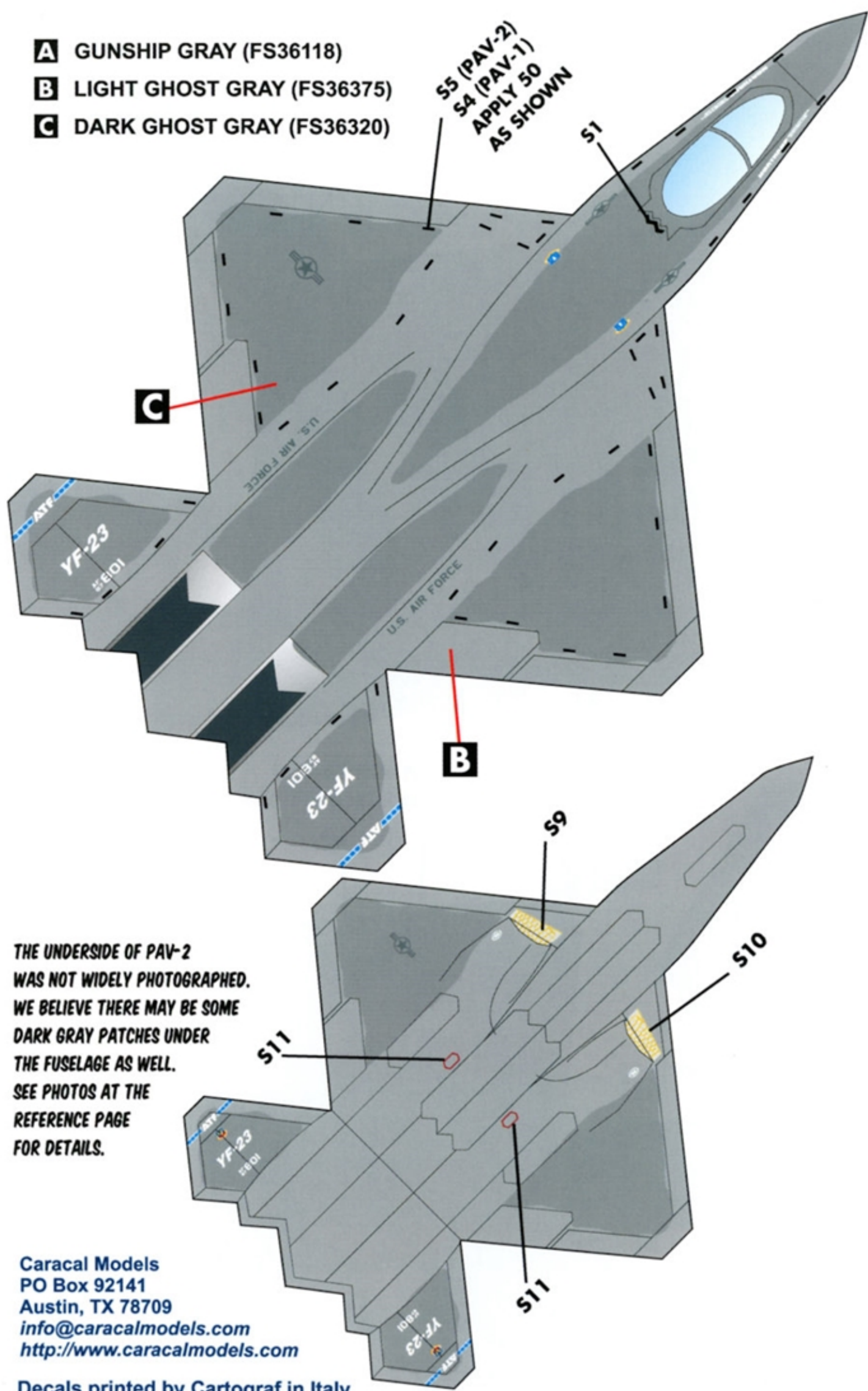
FOR MORE INFORMATION AND HELPFUL PHOTOS, VISIT:

WWW.CARACALMODELS.COM/REFERENCES/CD48048

WWW.YF-23.NET

- A** GUNSHIP GRAY (FS36118)
- B** LIGHT GHOST GRAY (FS36375)
- C** DARK GHOST GRAY (FS36320)

S5 (PAV-2)
 S4 (PAV-1)
 APPLY 50
 AS SHOWN



THE UNDERSIDE OF PAV-2
 WAS NOT WIDELY PHOTOGRAPHED.
 WE BELIEVE THERE MAY BE SOME
 DARK GRAY PATCHES UNDER
 THE FUSELAGE AS WELL.
 SEE PHOTOS AT THE
 REFERENCE PAGE
 FOR DETAILS.

Caracal Models
 PO Box 92141
 Austin, TX 78709
info@caracalmodels.com
<http://www.caracalmodels.com>

Decals printed by Cartograf in Italy