

# TBF-1C Avenger

TBF-1C アヴェンジャー TBF-1C “复仇者”鱼雷攻击机

## PLEASE READ BEFORE OPERATION!

- \* Tools recommended as below: (Not included)  
Adhesives; Paints; Side Cutters; Sharp Edged Pliers; Modeling Knife; Modeling File; Nippers; Drill; Scissors; Sand Paper; Soft Cloth; Cyanoacrylate Glue.
- \* Make sure to read this instruction listed below before assembling.
- \* The kit contains the small parts, they can be dangerous if swallowed by mistake, so keep them away from reach of children.
- \* Cut the all parts off carefully and remove the waste parts into the garbage can.
- \* More caution and care should be needed for cutting and handling the photo etched parts.
- \* Make attention that some parts should be attached the decal when assembled.
- \* During assembling, please tear up and throw away the plastic bags, or may cause the dangerous if wearing over head by children's mistake.
- \* When using the adhesives and paints, please do not use them in the closed room or near the fire, also must be very careful to protect your eyes, face and clothes.
- \* Adult supervised when assembled by children under 14 years old.

## 装配前请仔细阅读:

- \* 推荐使用的模型工具(请自备):  
专用模型胶水, 专用模型油漆, 水口剪刀, 长咀钳, 刀片, 锉刀, 镊子钳, 钻, 剪刀, 软布, 砂纸, 瞬间快干胶等。
- \* 用水口剪刀或刀片小心切下所有塑胶零件和蚀刻片零件, 不要遗失小零件。
- \* 切取蚀刻片时应特别注意防止利边划伤手指。
- \* 用模型锉刀小心锉平所有零件表面的注射浇口。
- \* 用适量的强力快干胶水粘合蚀刻片零件和金属轴, 切忌过量, 否则可能导致可动零件被粘住。
- \* 注意某些零件表面需在装配时同步贴水上贴纸。
- \* 制作时应远离幼儿并将包装袋及时收妥, 谨防小孩玩耍而引起意外。



cyanoacrylate glue  
强力胶



weight  
配重



make hole  
钻孔



cut / remove  
切除



option  
选择



no cement  
不涂胶水



decal  
贴纸



bend  
弯曲



repair  
填补

## The method to apply the decals

1. Cut off the decal from the decal paper and put it into the warm water 40°C for 10 seconds.
2. Take the decal from the water and put it on a piece of clean cloth.
3. Remove the decal slowly from the paper to the targeted location by a wet finger.
4. Use a piece of dry and soft cloth to press it gently on the decal until it getting dry and no bubble existing.

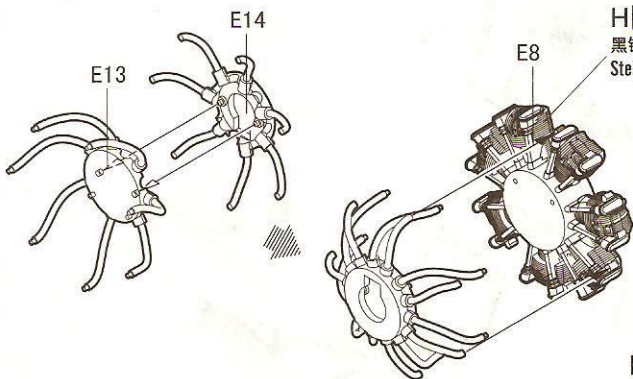
## 水贴纸的使用方法:

- 一. 把相关的印花从水贴上剪下, 放入40°C左右的温水中浸10秒。
- 二. 然后将印花放在干净的布上。
- 三. 拿上印花纸板, 手指蘸水将印花移到适当的位置。
- 四. 用软干布轻压印花直至水干, 气泡消失。

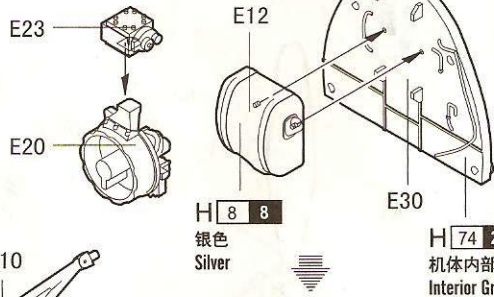


**1**  
STEP

<<发动机>>  
Engine



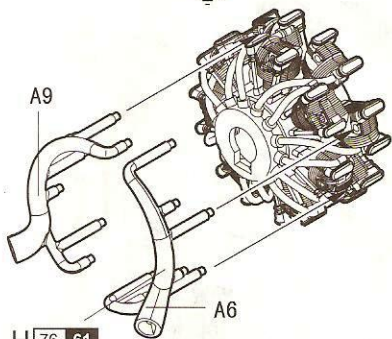
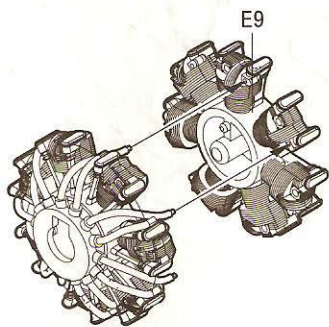
H 28  
黑铁色  
Stell



H 8 8  
银色  
Silver

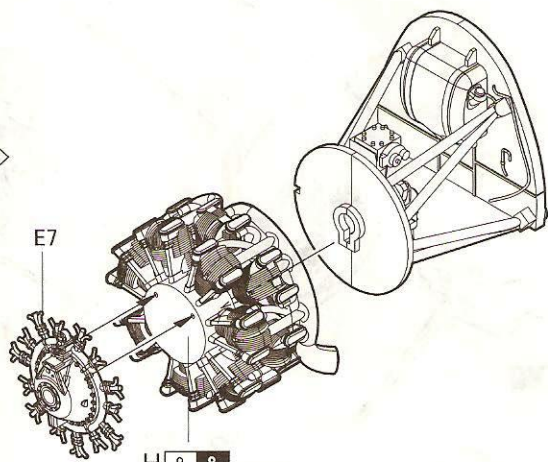
H 74 27  
机体内部色  
Interior Green

H 74 27  
机体内部色  
Interior Green



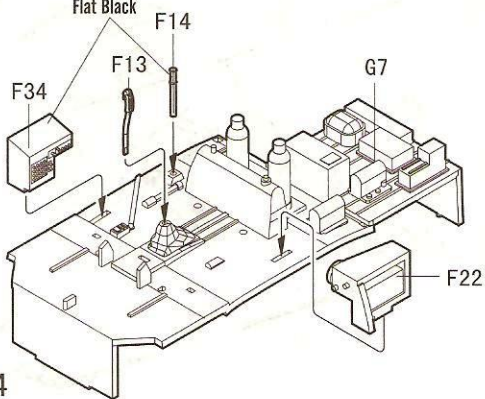
H 76 61  
烧铁色  
Burnt Iron

<<发动机>>  
Engine

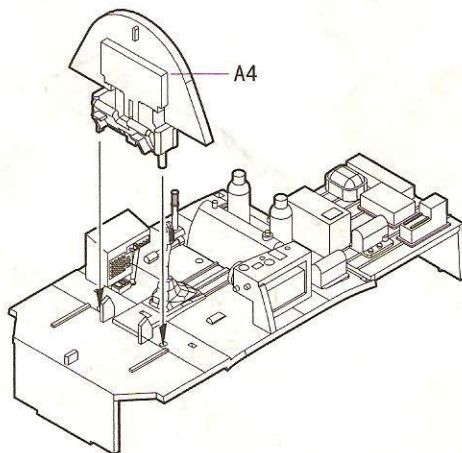


H 8 8  
银色  
Silver

H 12 33  
消光黑  
Flat Black

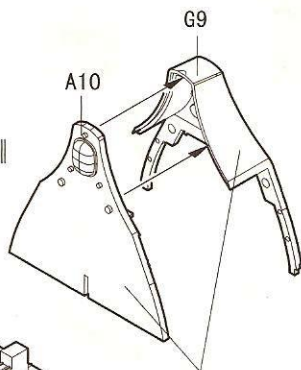


<<座舱>>  
Cockpit



**2**  
STEP

H 47 41  
红棕色  
Red Brown

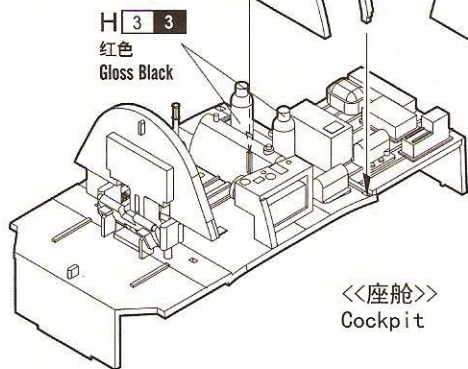


A10

G9

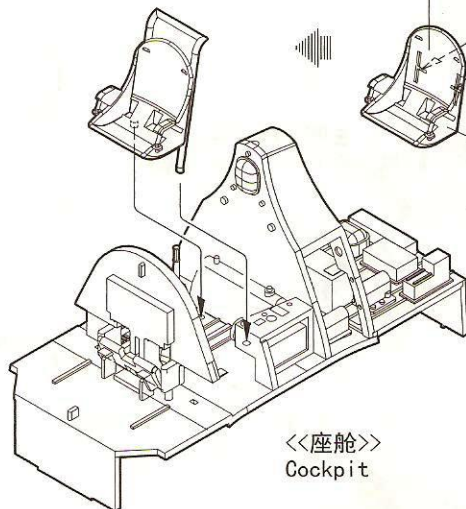
H 340 340  
原野绿  
Field Green

<<座舱>>  
Cockpit



H 3 3  
红色  
Gloss Black

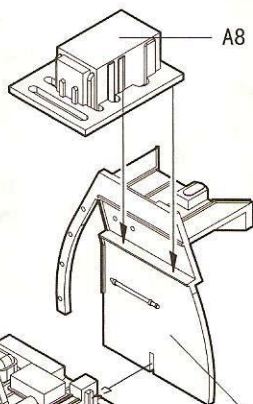
<<座舱>>  
Cockpit



G2

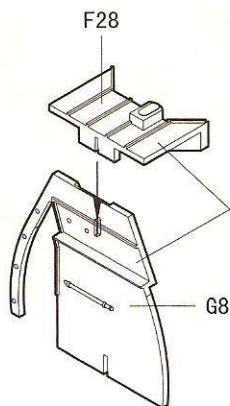
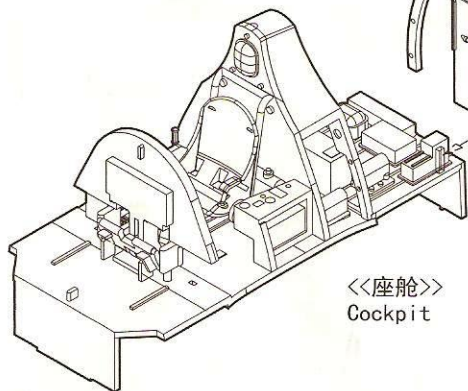
H 340 340  
原野绿  
Field Green

F21



A8

<<座舱>>  
Cockpit



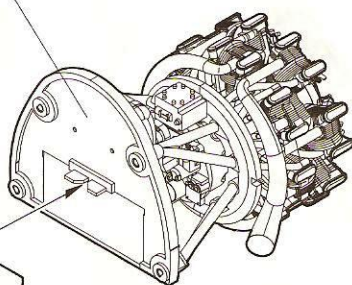
F28

H 340 340  
原野绿  
Field Green

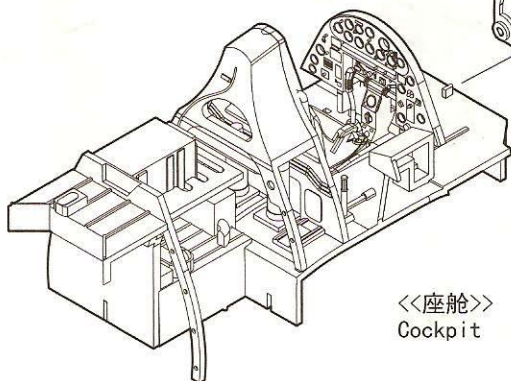
G8

H 340 340  
原野绿  
Field Green

<<发动机>>  
Engine

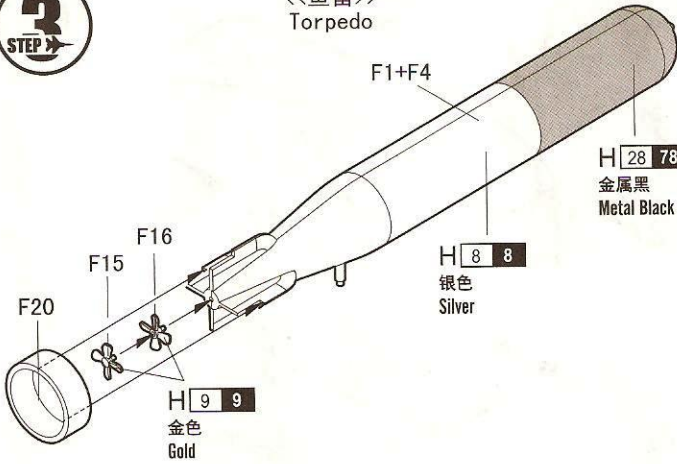


<<座舱>>  
Cockpit

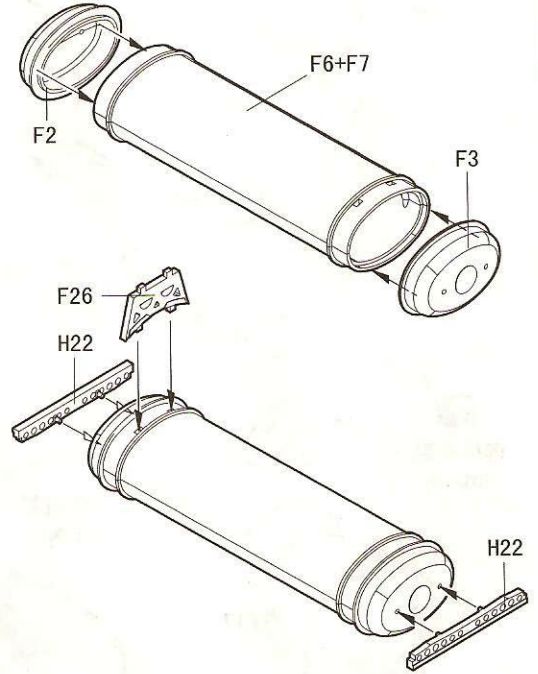




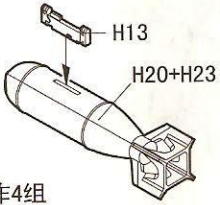
<<鱼雷>>  
Torpedo



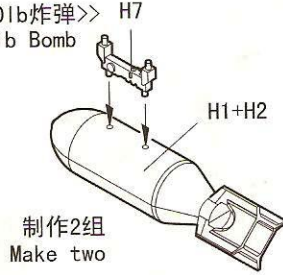
<<油箱>>  
Fuel tank



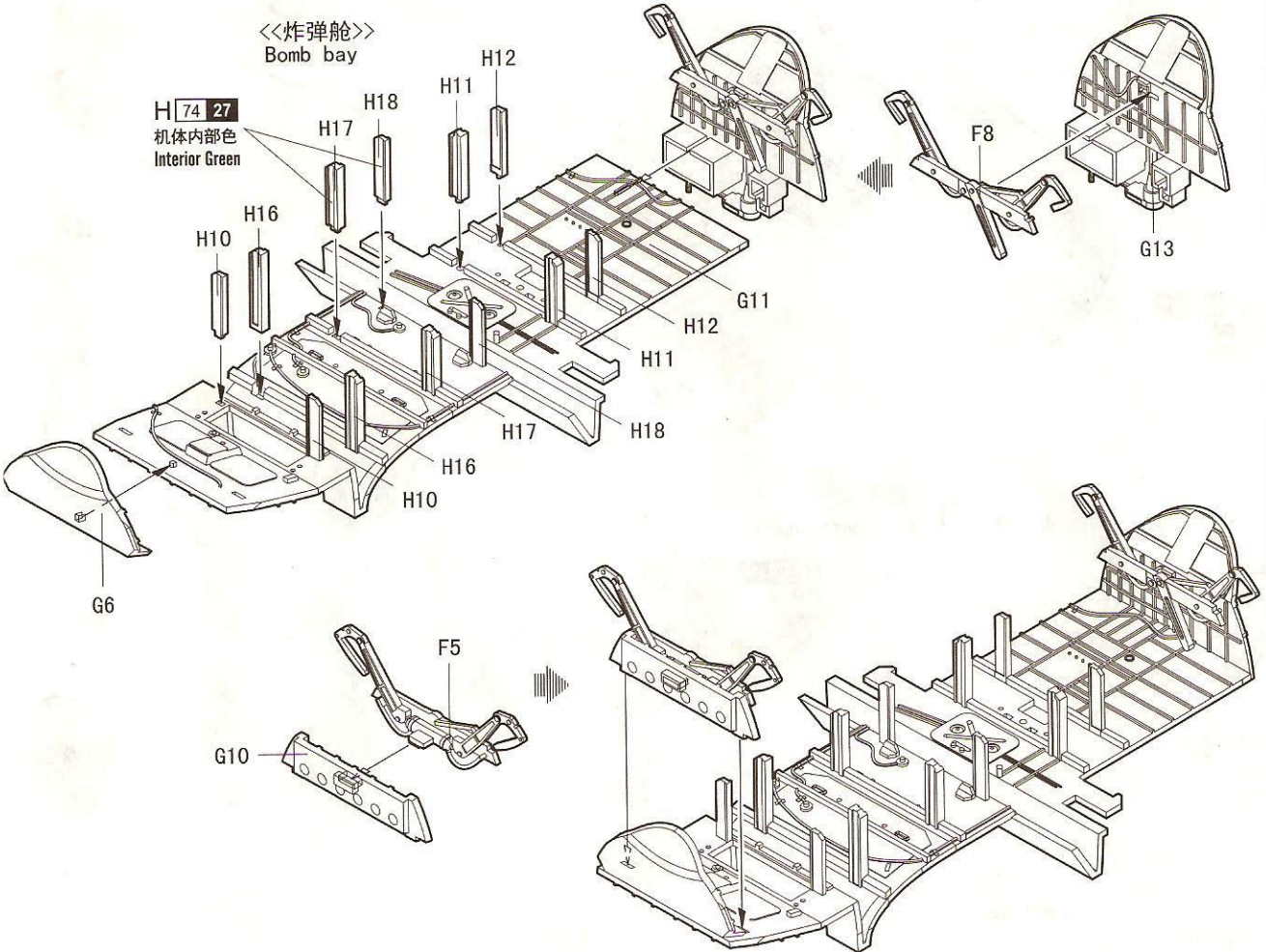
<<250lb炸弹>>  
250lb Bomb



<<500lb炸弹>>  
500lb Bomb



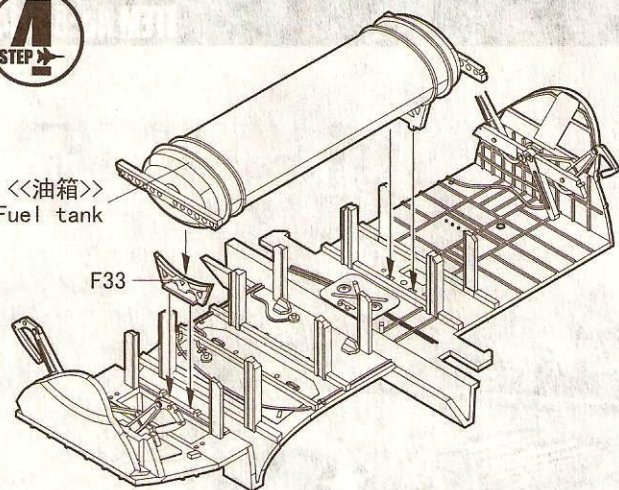
<<炸弹舱>>  
Bomb bay



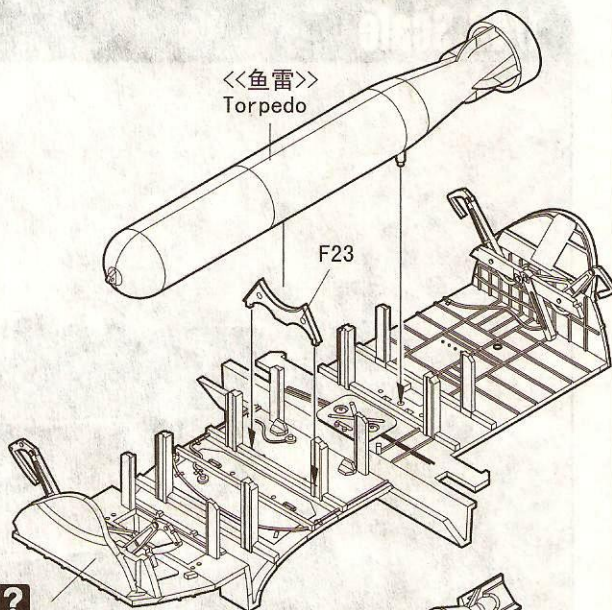




《《油箱》》  
Fuel tank

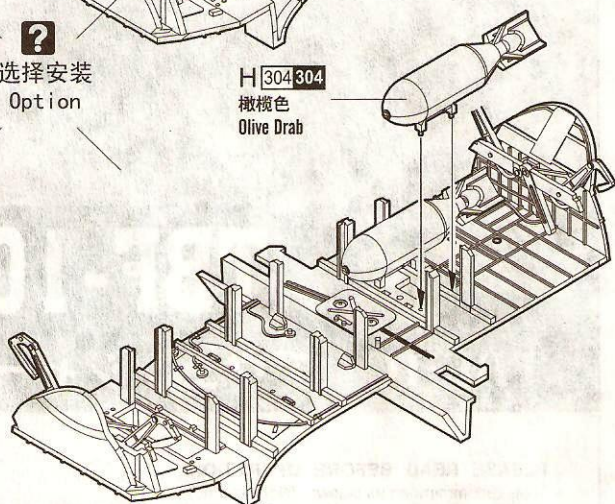
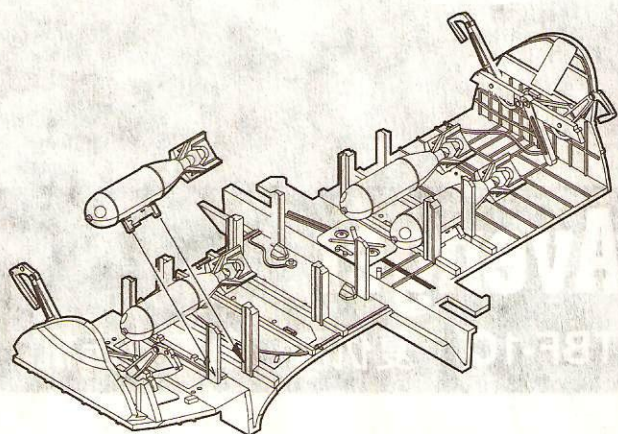


《《鱼雷》》  
Torpedo

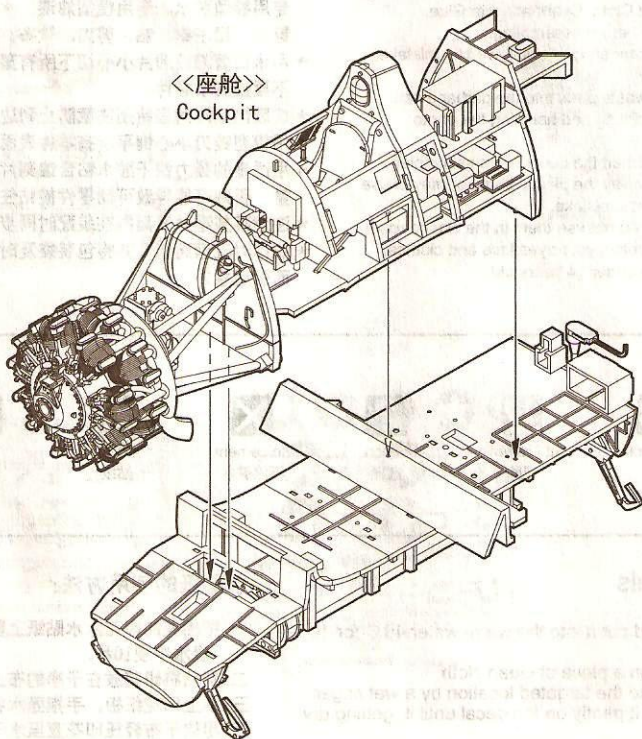


❓  
选择安装  
Option

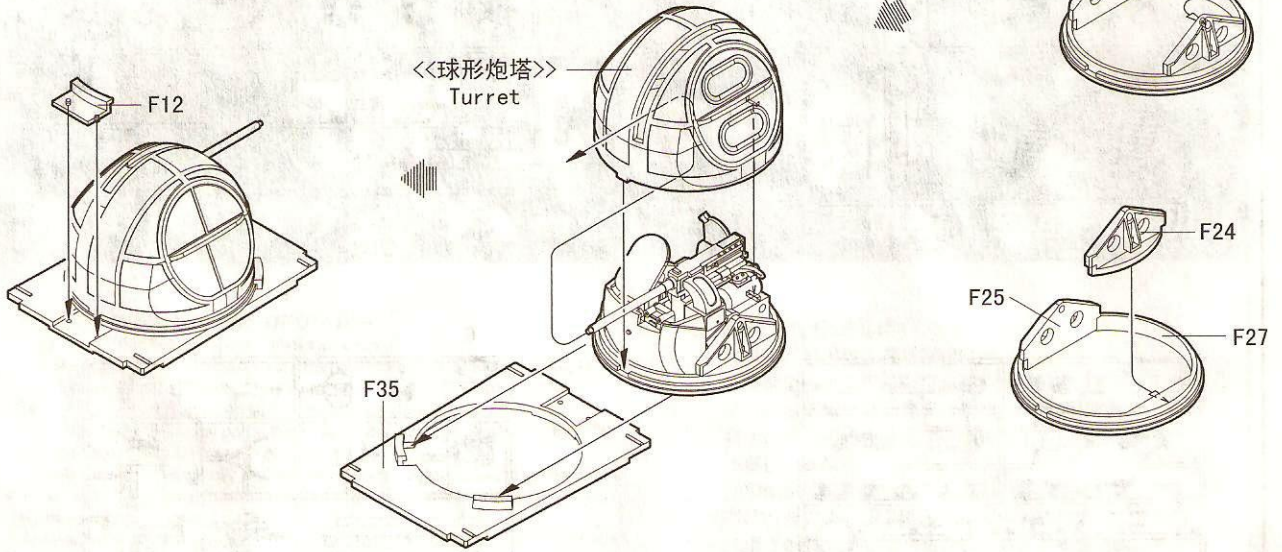
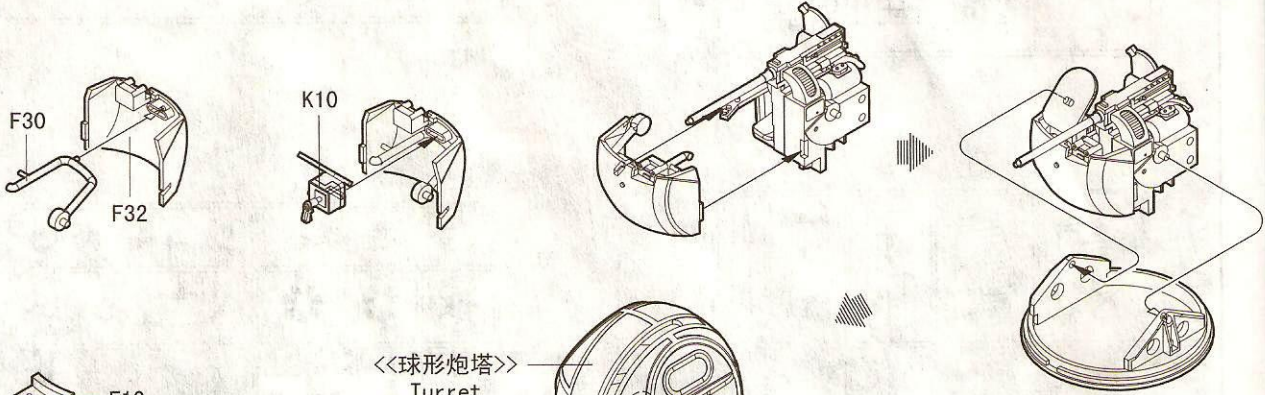
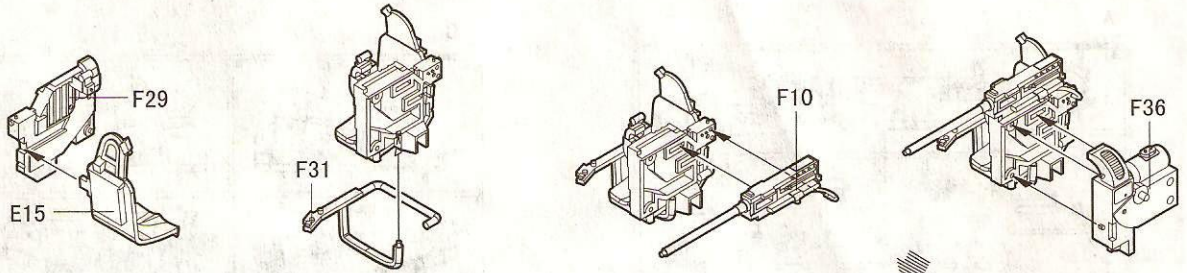
H 304 304  
橄榄色  
Olive Drab



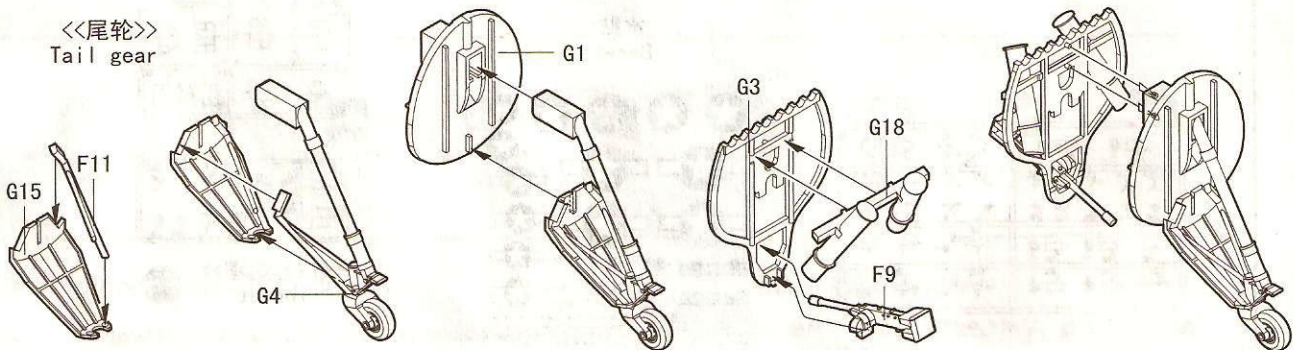
《《座舱》》  
Cockpit





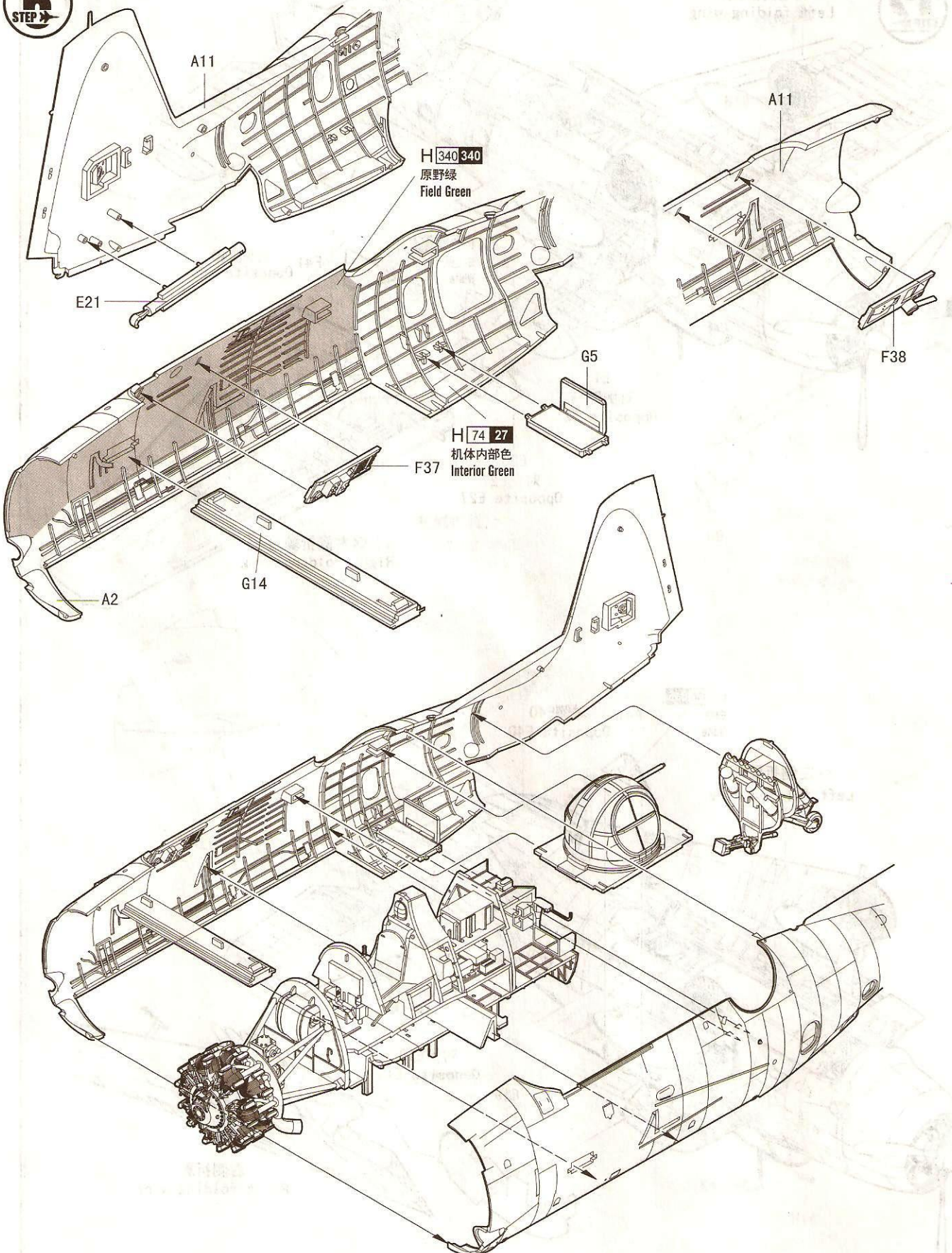


<<尾轮>>  
Tail gear



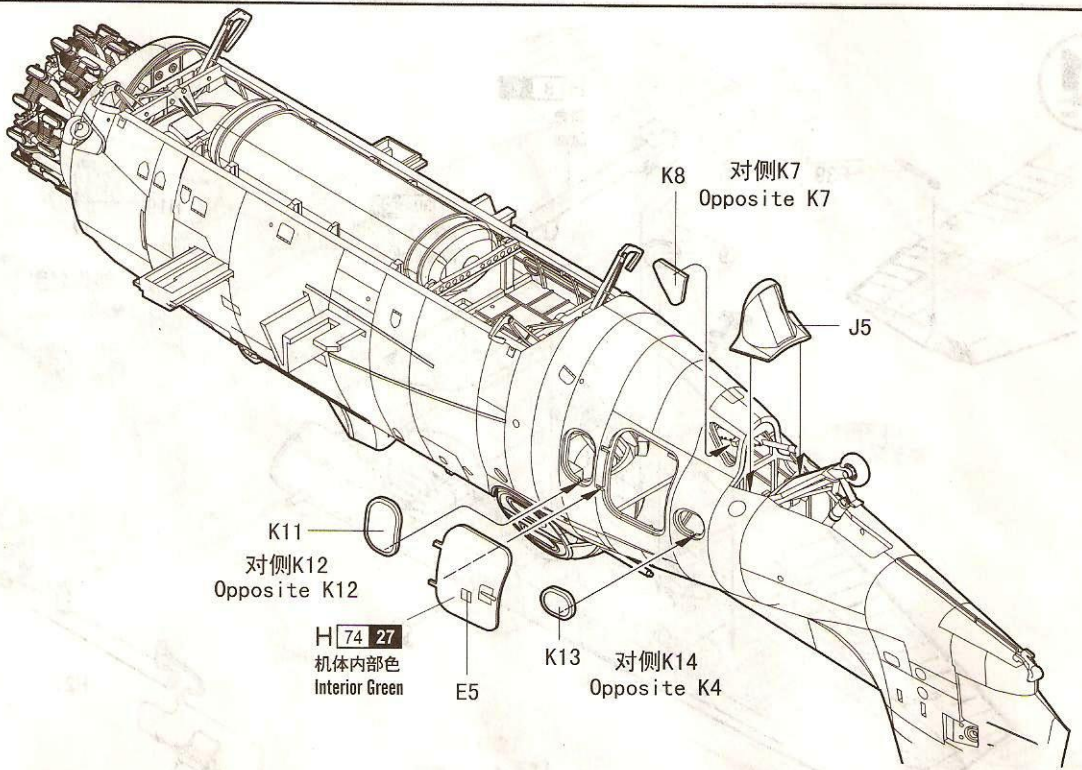


**6**  
STEP 2



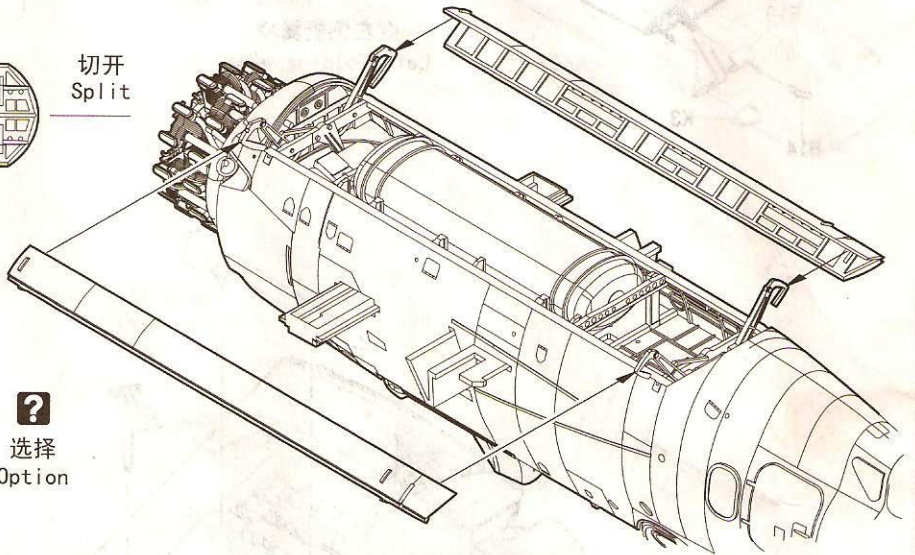


**7**  
STEP

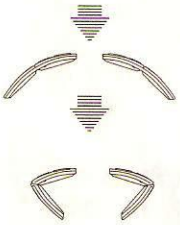


G12

切开  
Split



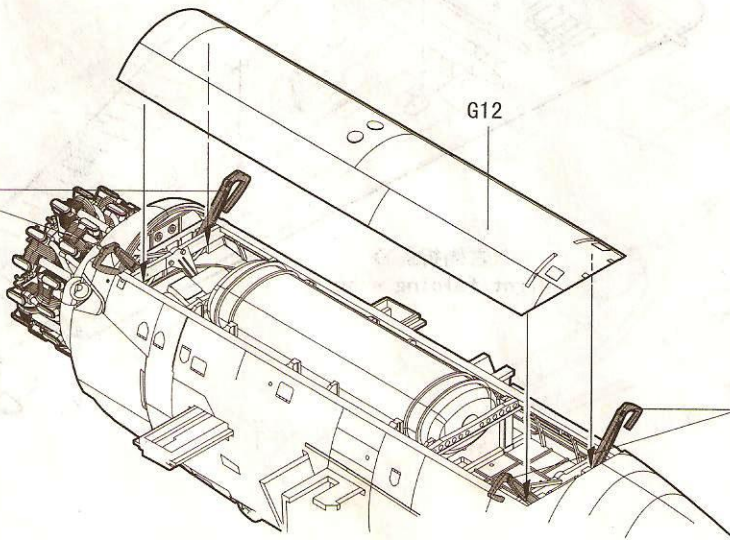
折弯  
Bend



?

选择  
Option

切除  
Remove

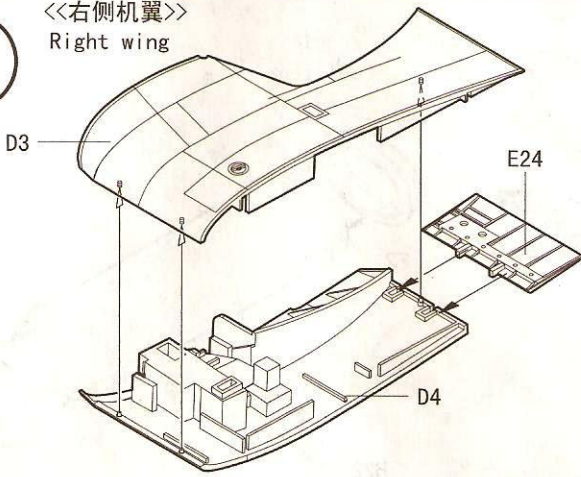


切除  
Remove

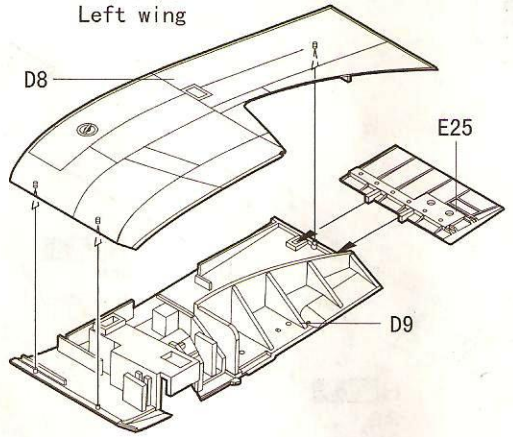




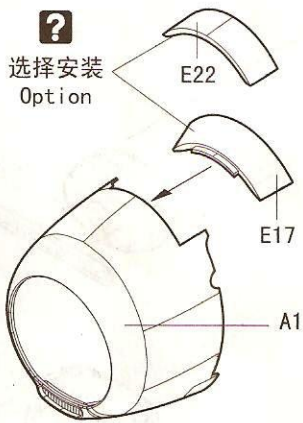
<<右侧机翼>>  
Right wing



<<左侧机翼>>  
Left wing

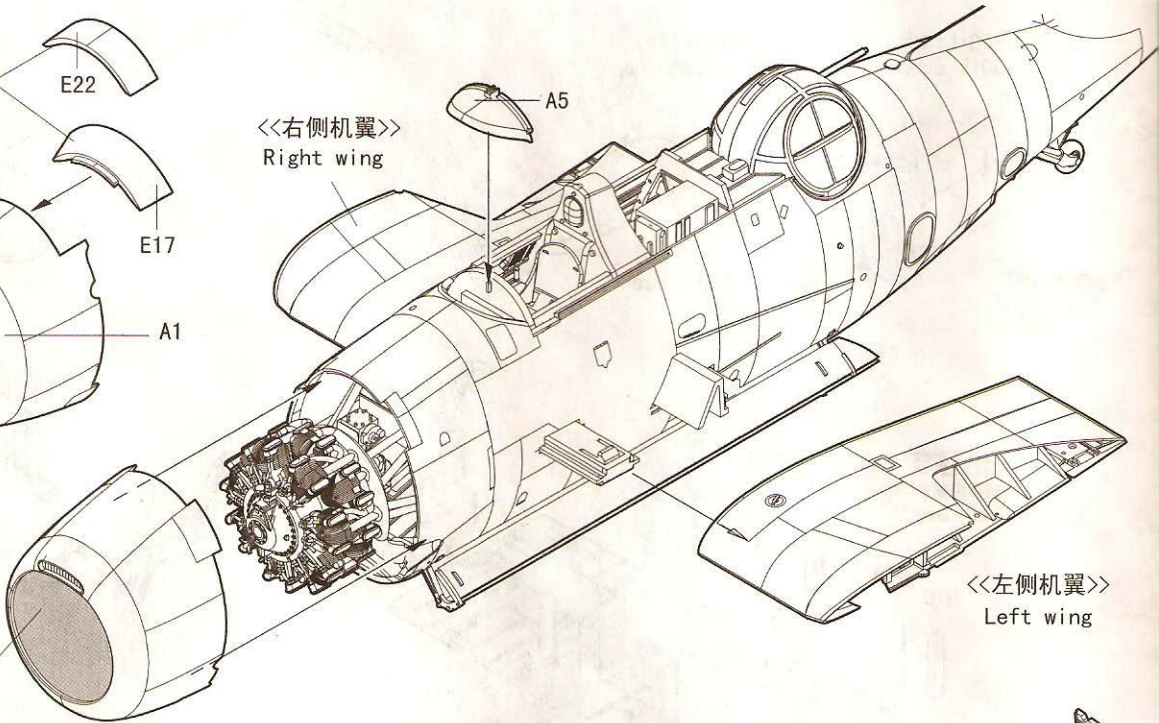


?  
选择安装  
Option



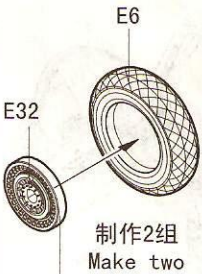
<<右侧机翼>>  
Right wing

A5



<<左侧机翼>>  
Left wing

H 316 316  
白色  
White

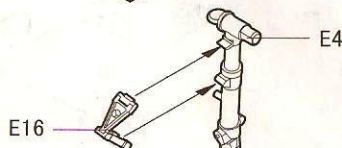
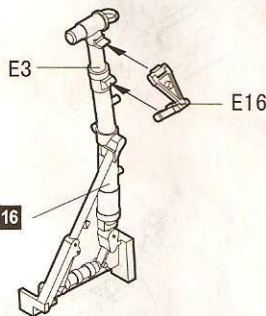


制作2组  
Make two

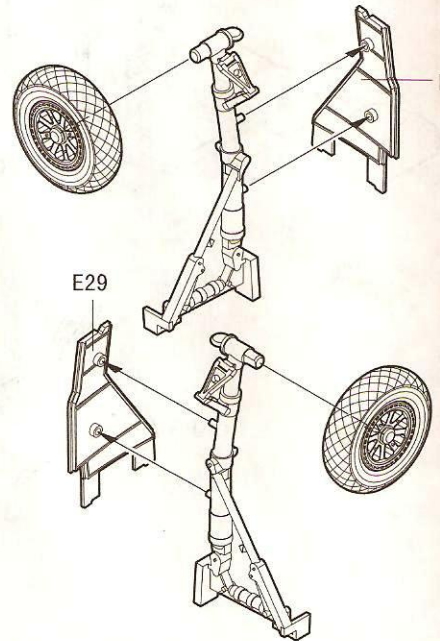
H 316 316  
白色  
White

<<右侧主起落架>>  
Right main undercarriage

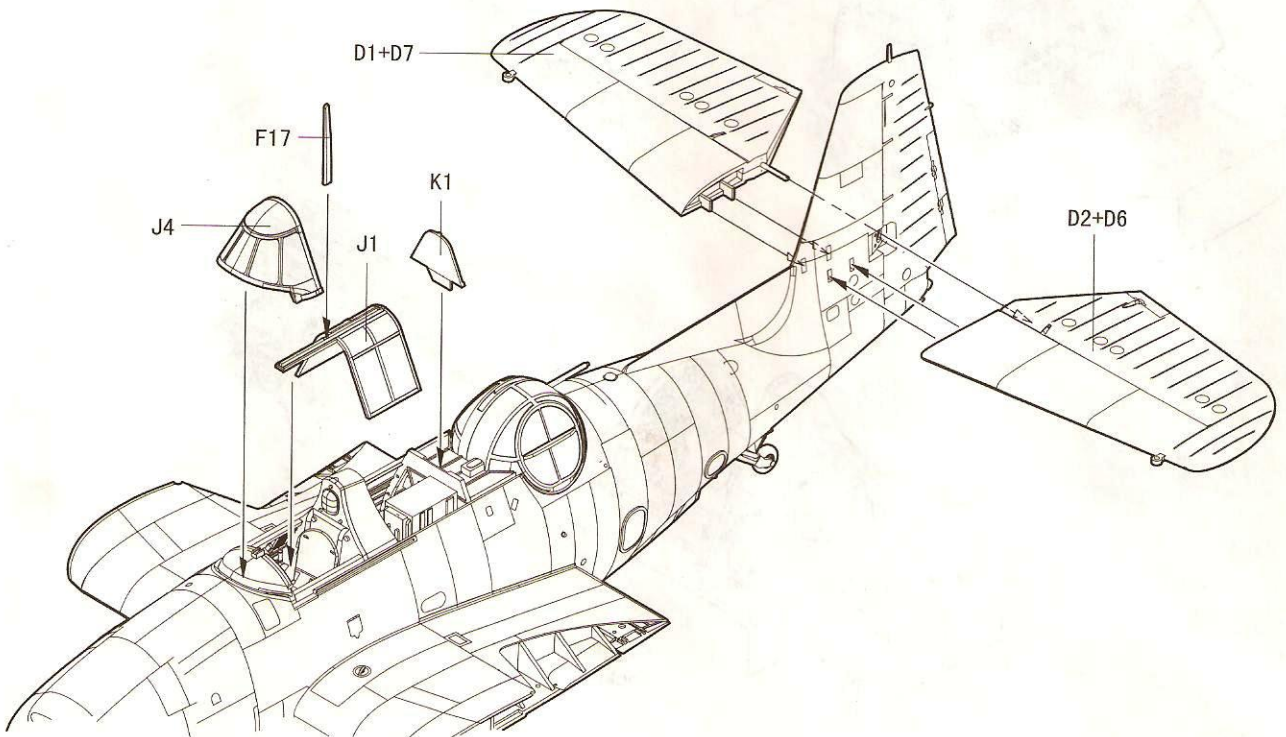
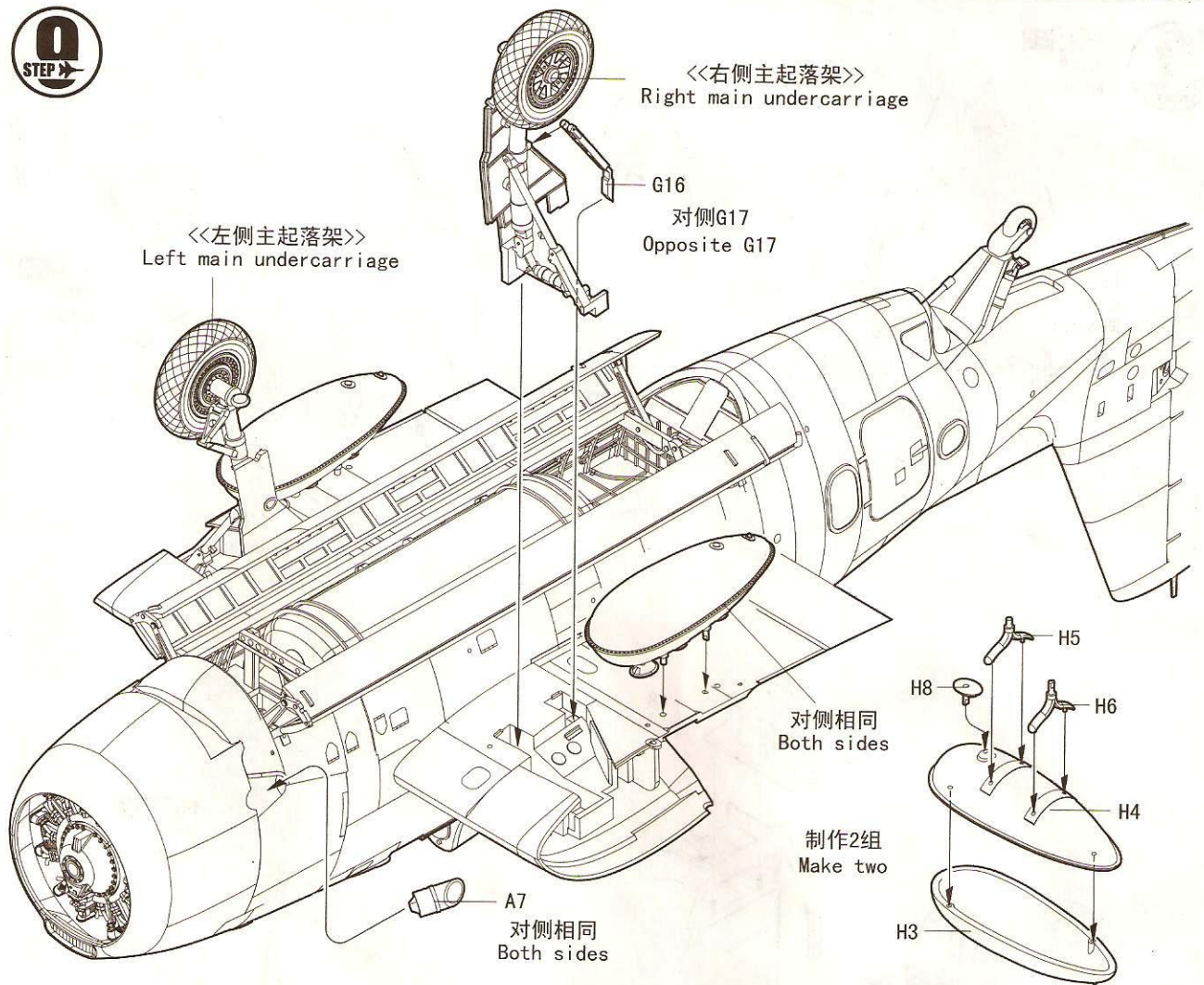
H 316 316  
白色  
White



<<左侧主起落架>>  
Left main undercarriage









10  
STEP

?

选择  
Option

K2

J6

J2

A3

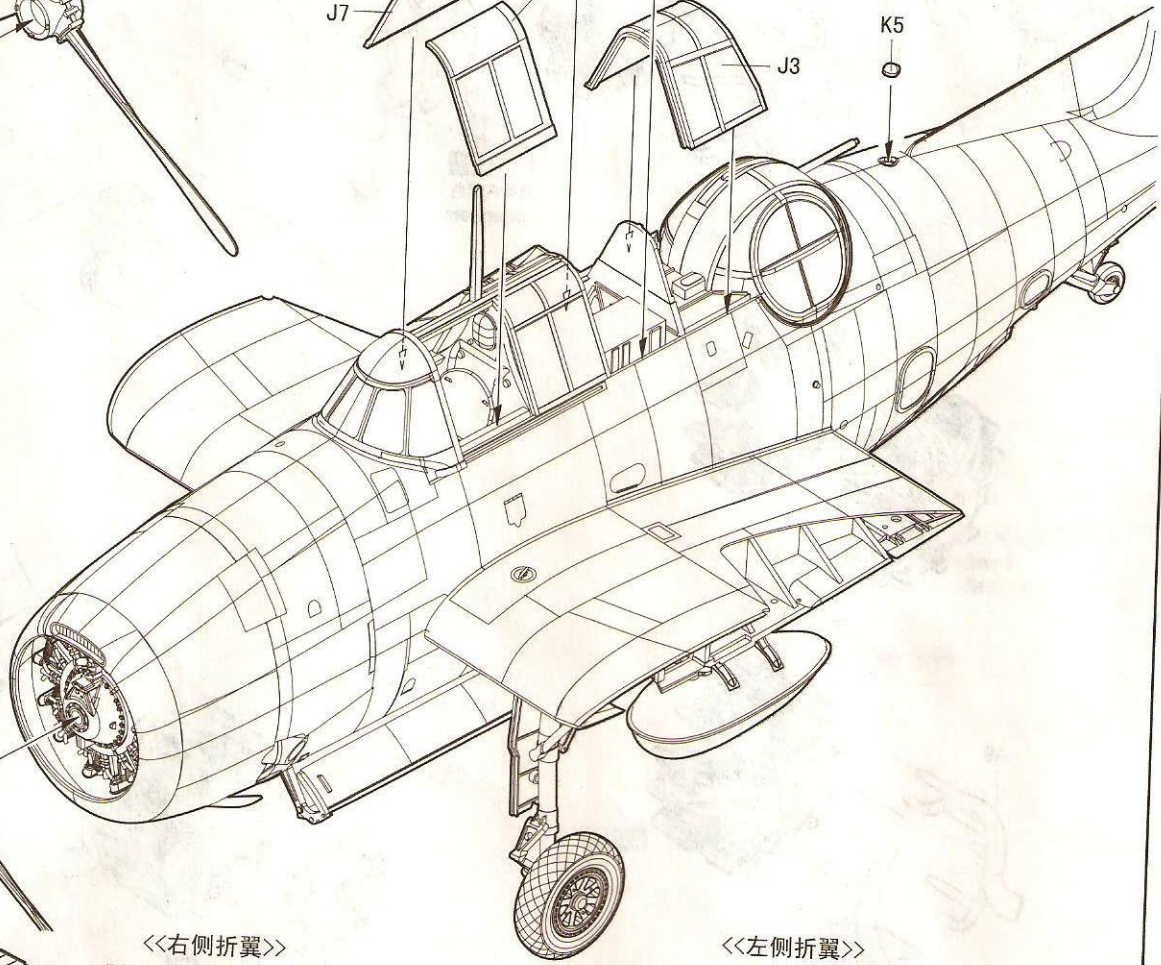
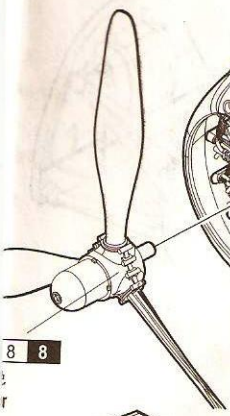
J7

J8

K5

E31

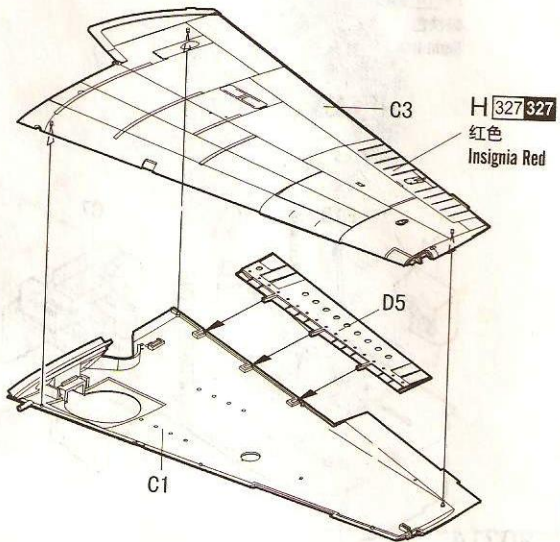
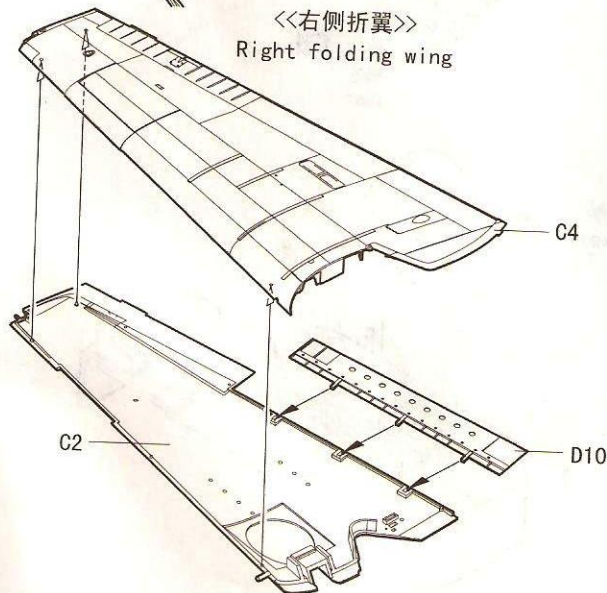
J3



8 8

<<右侧折翼>>  
Right folding wing

<<左侧折翼>>  
Left folding wing

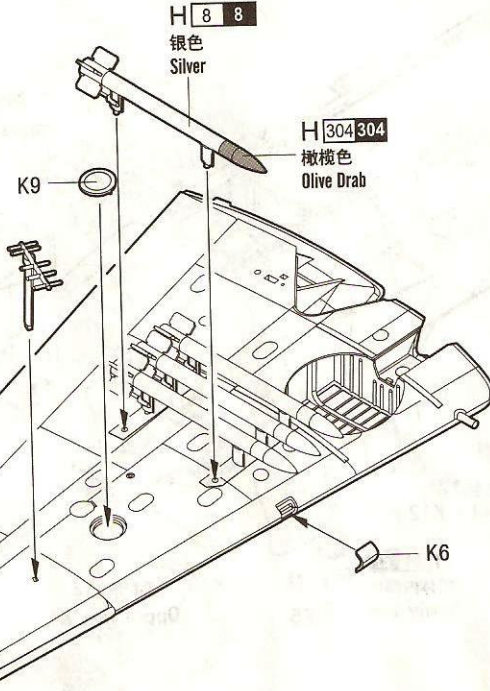
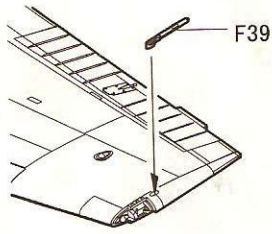


H 327 327  
红色  
Insignia Red

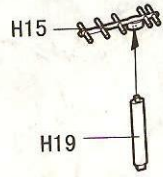
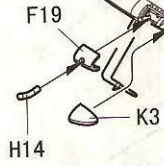
PT808



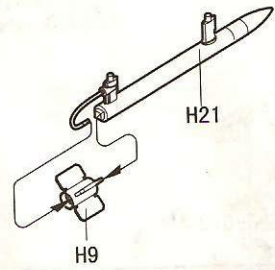
**11**  
STEP



《《左侧折翼》》  
Left folding wing

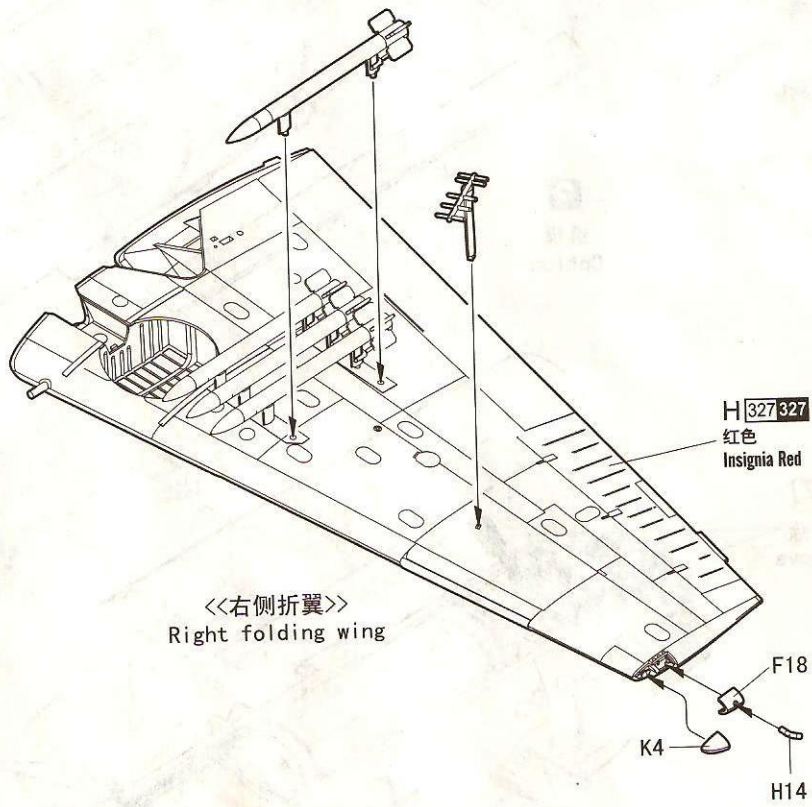


制作2组  
Make two



制作8组  
Make eight

H 8  
银色  
Silver

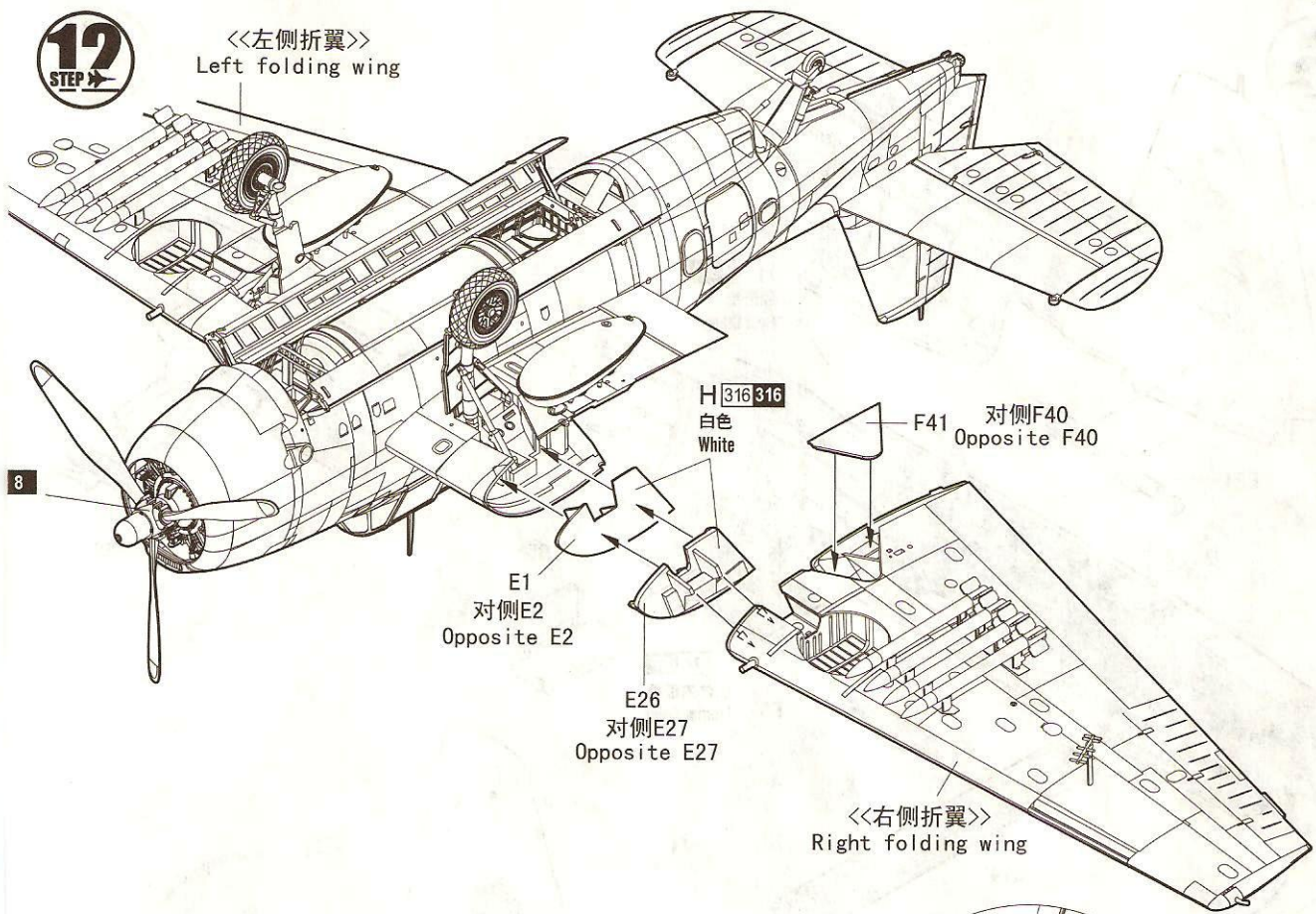


《《右侧折翼》》  
Right folding wing



12  
STEP

<<左侧折翼>>  
Left folding wing



8

H316316  
白色  
White

F41 对侧F40  
Opposite F40

E1 对侧E2  
Opposite E2

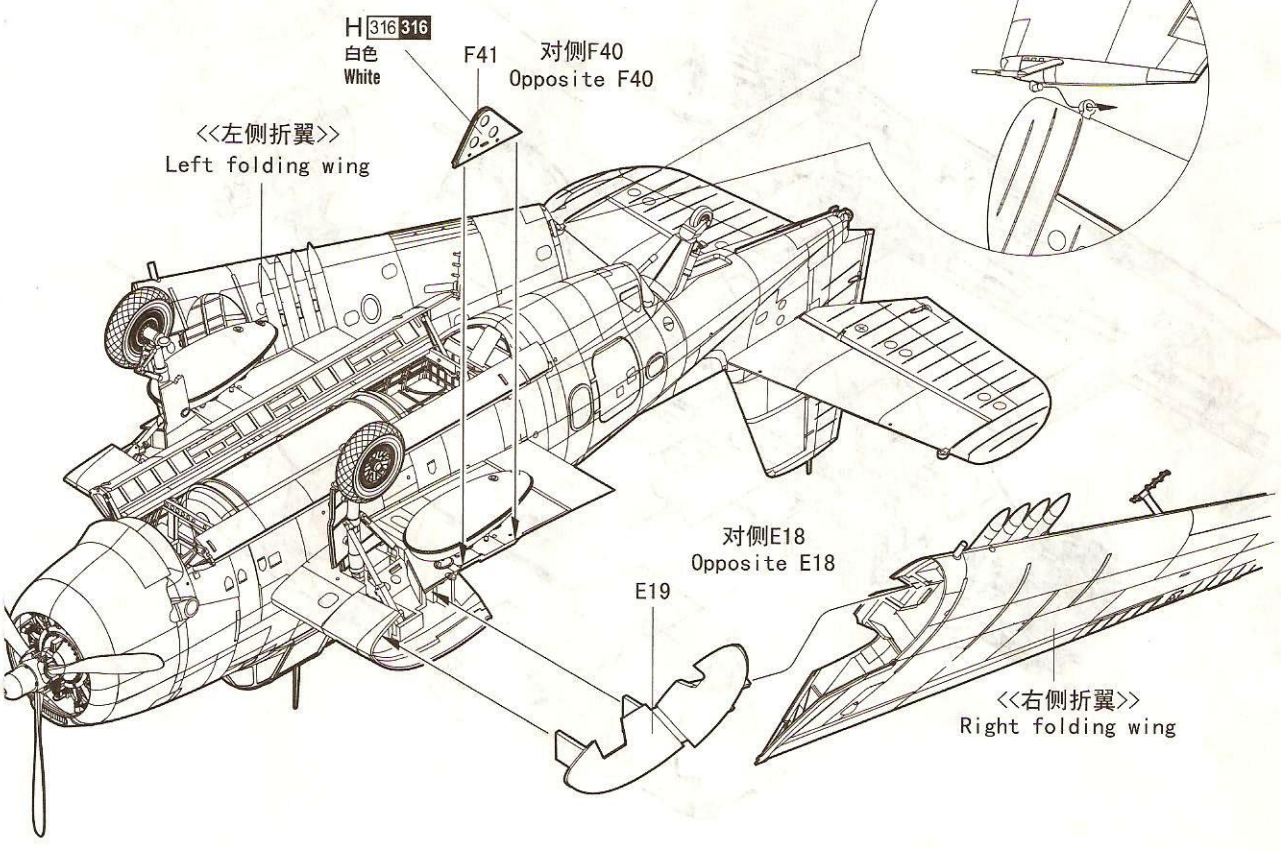
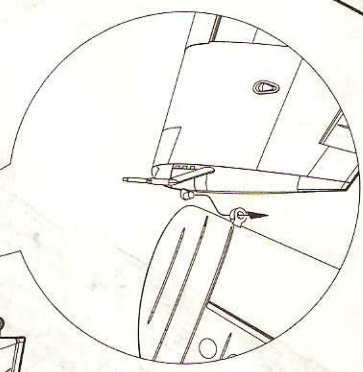
E26 对侧E27  
Opposite E27

<<右侧折翼>>  
Right folding wing

<<左侧折翼>>  
Left folding wing

H316316  
白色  
White

F41 对侧F40  
Opposite F40



对侧E18  
Opposite E18

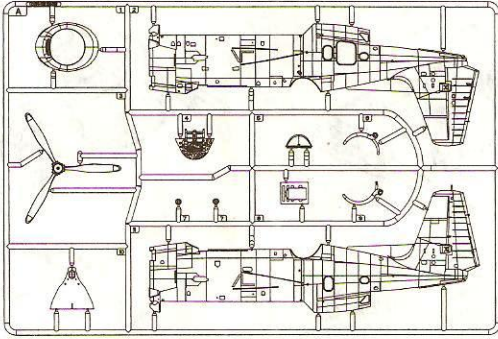
E19

<<右侧折翼>>  
Right folding wing

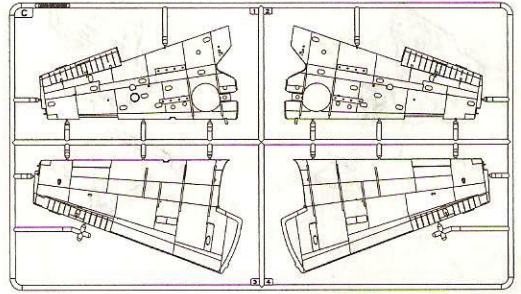


# 部品图 Parts

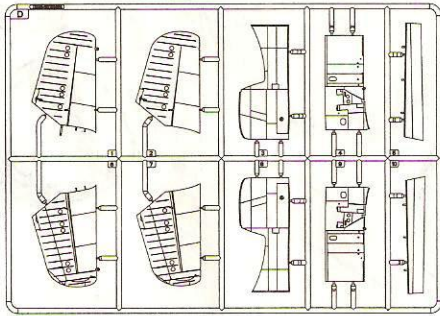
A



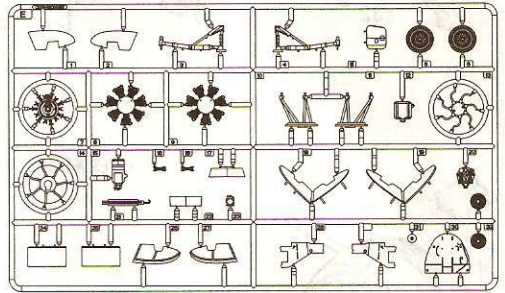
C



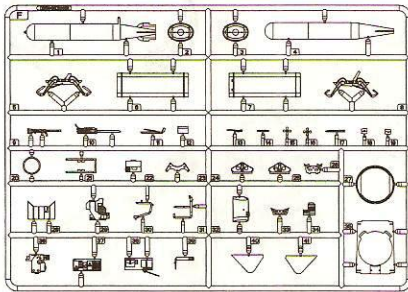
D



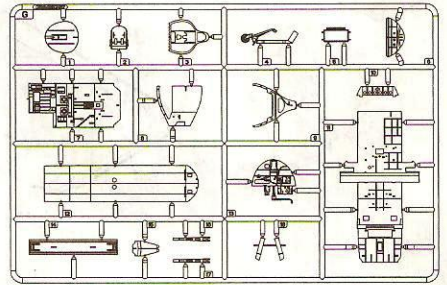
E



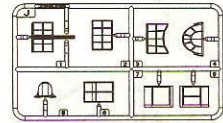
F



G



J



K

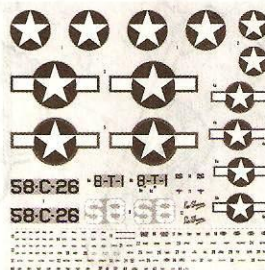
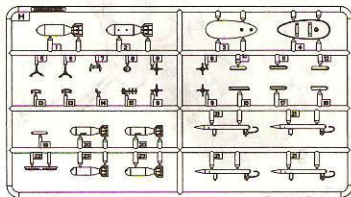


<<球形炮塔>>  
Turret



水贴  
Decal

Hx2



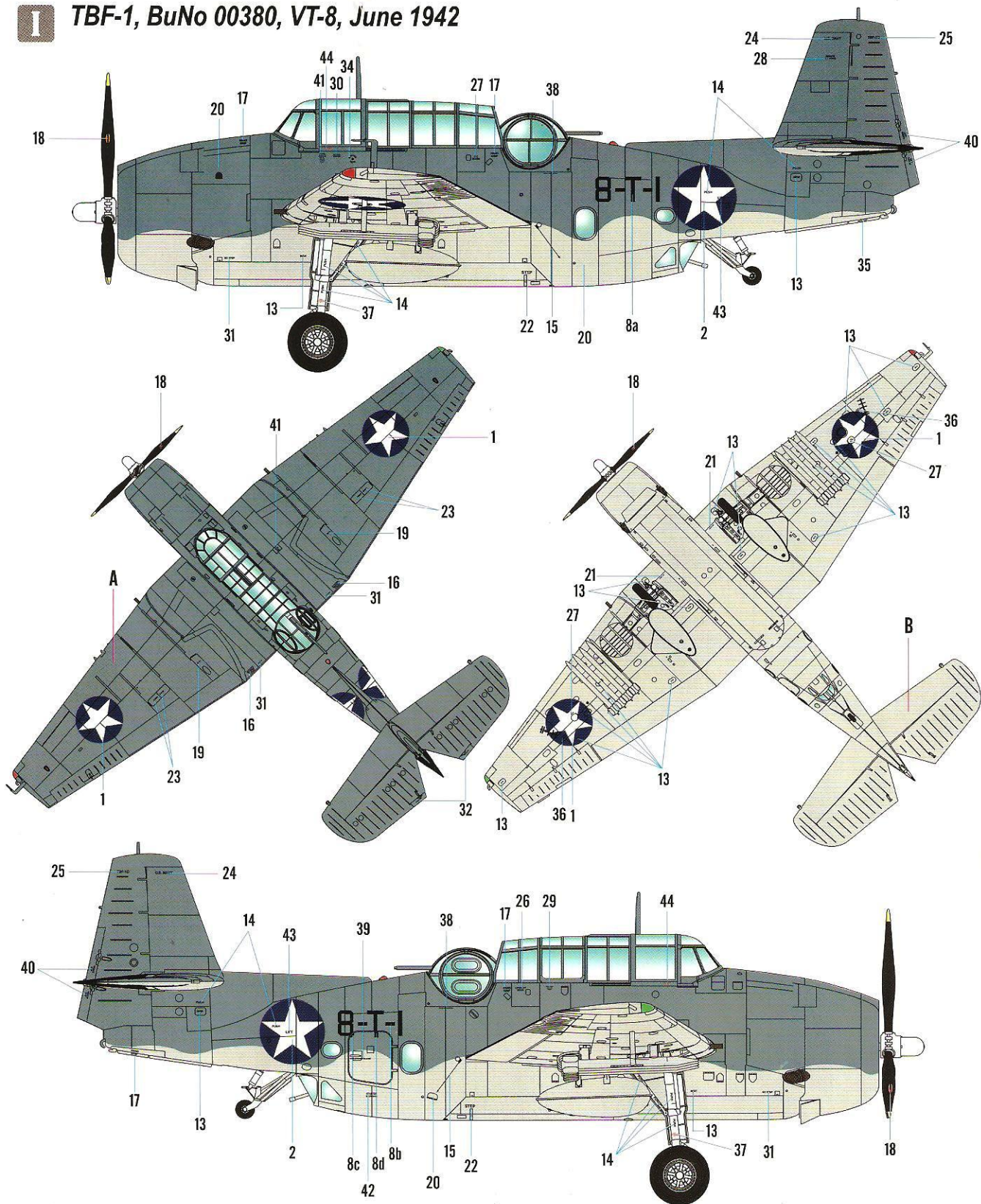
58-C-26 B-T-1 B-T-1  
58-C-26 58-C-26

V48 Scale TBF-1C Avenger HobbyBoss NO.80394

不用的部件: K7  
Unused parts



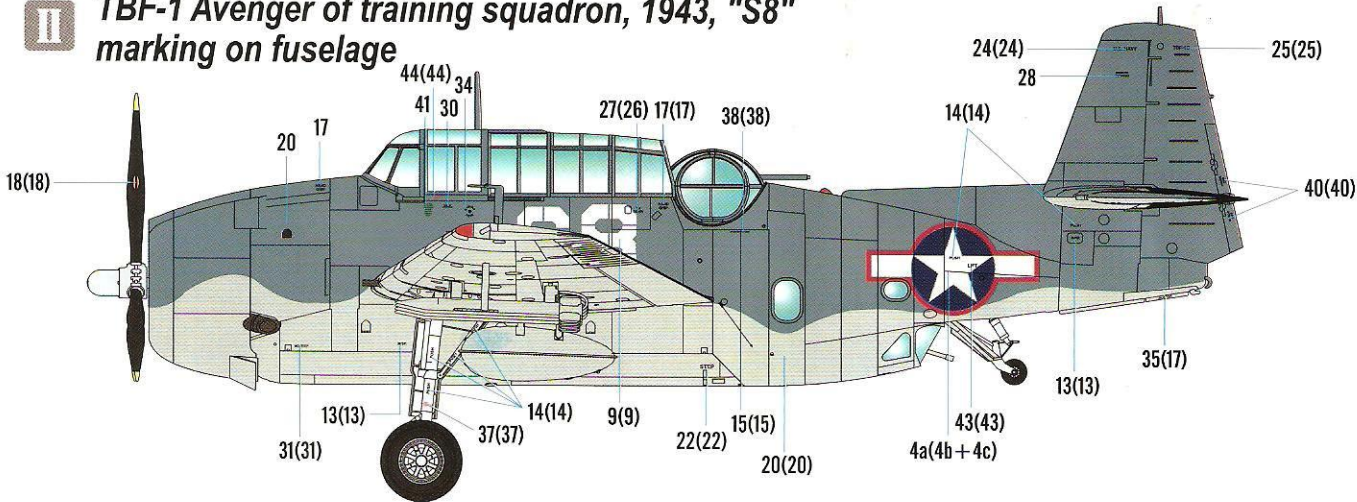
**I** TBF-1, BuNo 00380, VT-8, June 1942



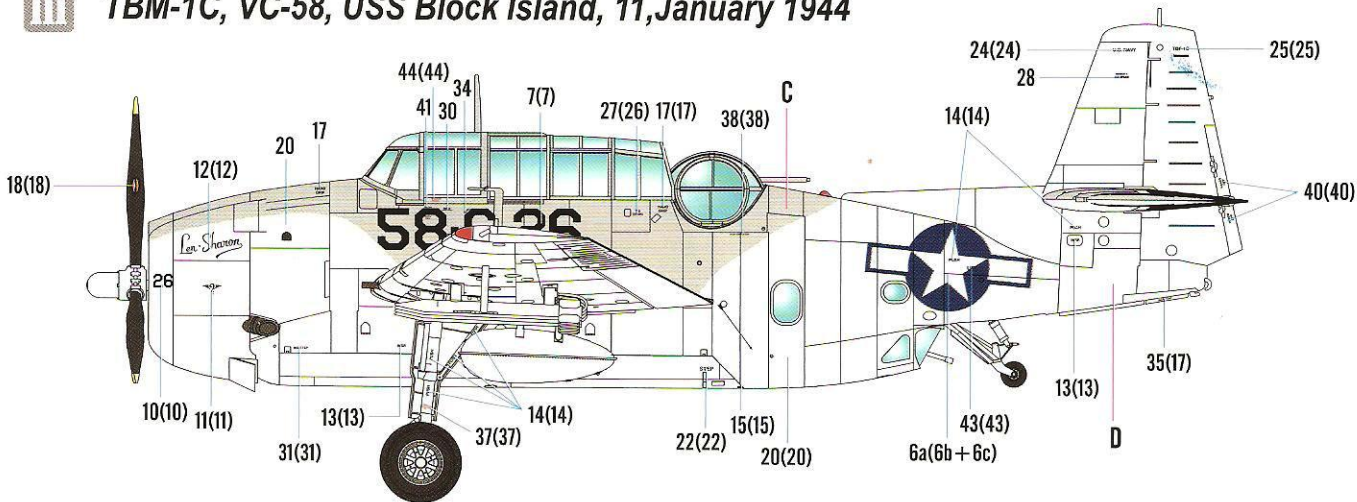
	Color	Mr.Hobby	Vallejo	Model Master	Tamiya	Humbrol
A	浅灰蓝 Gray Blue	H 367 367	--	--	--	--
B	浅灰 Light Gray	H 338 338	907	1732	XF14	147



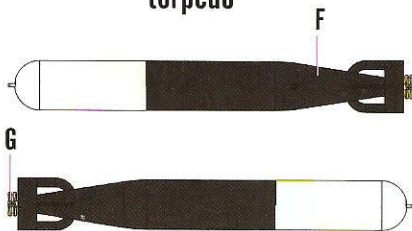
## II TBF-1 Avenger of training squadron, 1943, "S8" marking on fuselage



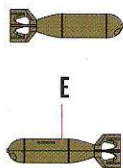
## III TBM-1C, VC-58, USS Block Island, 11, January 1944



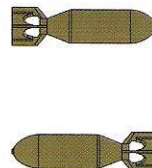
torpedo



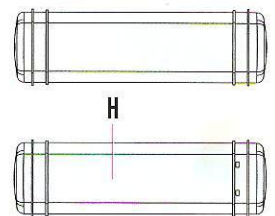
bomb



bomb a



fuel tank



	Color	Mr.Hobby	Vallejo	Model Master	Tamiya	Humbrol
C	灰色 Gray	H 315 315	843	1730	--	129
D	白色 White	H 316 316	991	1745	X2	22
E	橄榄色 Olive Drab	H 304 304	887	1711	XF62	155
	黑铁色 Steel	H 28	864	1402	--	--
G	金色 Gold	H 9 9	878	1744	XF12	16
H	银色 Silver	H 8 8	997	1546	XF11	11





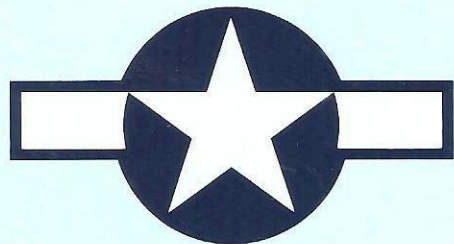
1



1



2



3



4a



5



4b

4c

58-C-26

8a

8-T-1

8b

8-T-1

8c

8d

26

10

26

11

11



6a

58-C-26

7

9

58-C-26

9

Len Sharon

Len Sharon



6b

6c

13	INSER	INSER	INSER	INSER	INSER	INSER	PUSH	PUSH	PUSH	PUSH	PUSH	15	DO NOT MOVE PUSHING FLAG UNTIL WHITE IS EXPOSED	16	DO NOT MOVE PUSHING FLAG UNTIL WHITE IS EXPOSED	17	HAND GRIP	HAND GRIP	HAND GRIP	HAND GRIP	18					24	U.S. NAVY	24	U.S. NAVY		
13	INSER	INSER	INSER	INSER	INSER	INSER	14	PUSH	PUSH	PUSH	PUSH	15	JACK PAD	21	JACK PAD	22	STEP	STEP	STEP	23	AMMO	AMMO	AMMO	AMMO	28	AMMO COMPART	29			30	
31	NO STEP	NO STEP	NO STEP	NO STEP	32	HAND OFF	HAND OFF	HAND OFF	HAND OFF	33	HEEL	34	JACK PAD	35	JACK PAD	36				37		38		39							
40	HAND OFF	HAND OFF	HAND OFF	HAND OFF	HAND OFF	HAND OFF	HAND OFF	HAND OFF	HAND OFF	41		42	STARTER STORAGE	LIFT	43	LIFT	44														