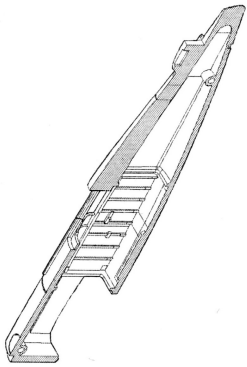
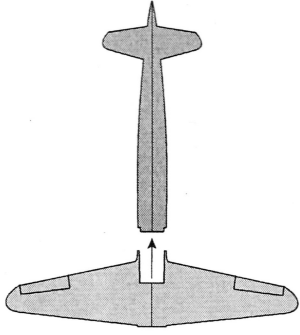


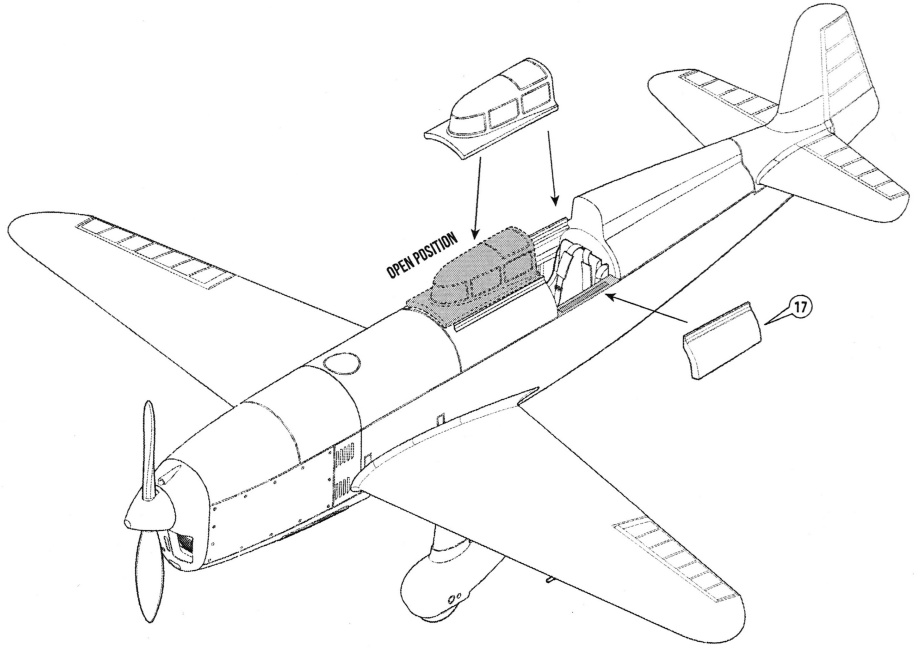
2 tips for assembly:



1st tip: Dry fit the two sides of fuselage with quick fixing (blue tac, etc) the nose (part no.5), the firewalls (part no. 13, 16) and the instrument panel (part no.24) to their position before any sanding in the highlighted surface!



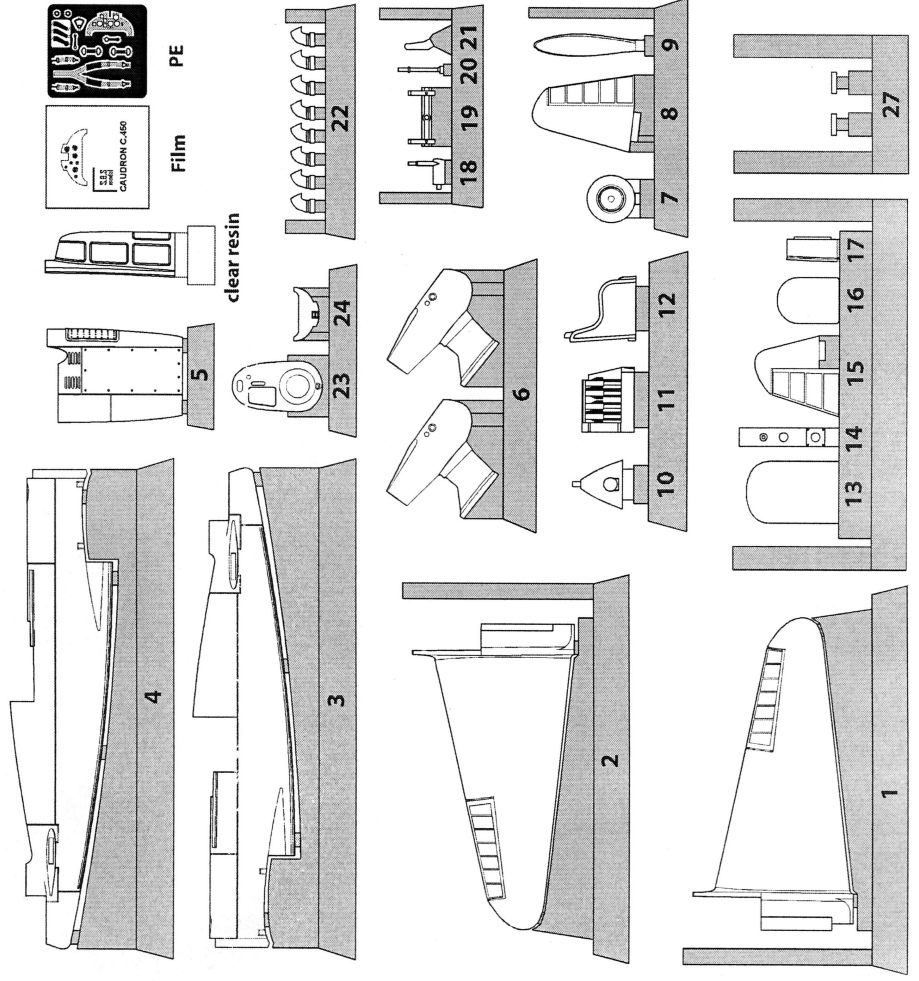
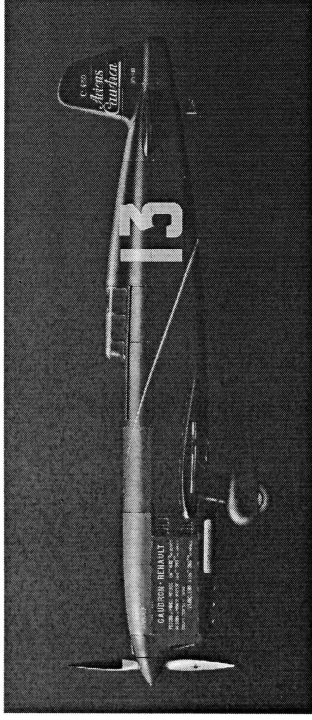
2nd tip: Easier to fix the wings if they first glued together and slide them to their engraved position as seen above. Make a dry test!



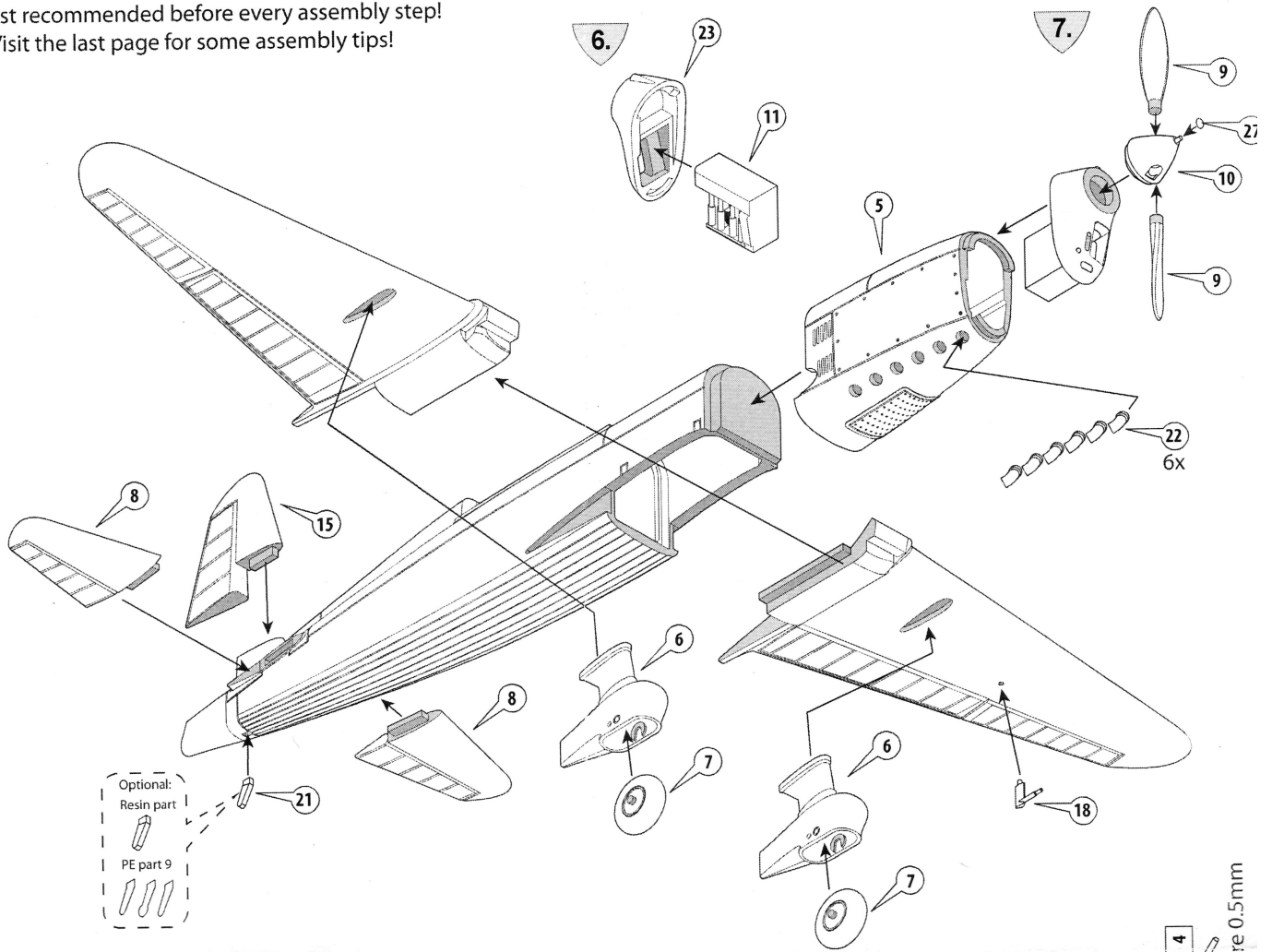
CAUDRON C.450

1/48 SCALE RESIN KIT FOR EXPERIENCED MODELERS SBS4005

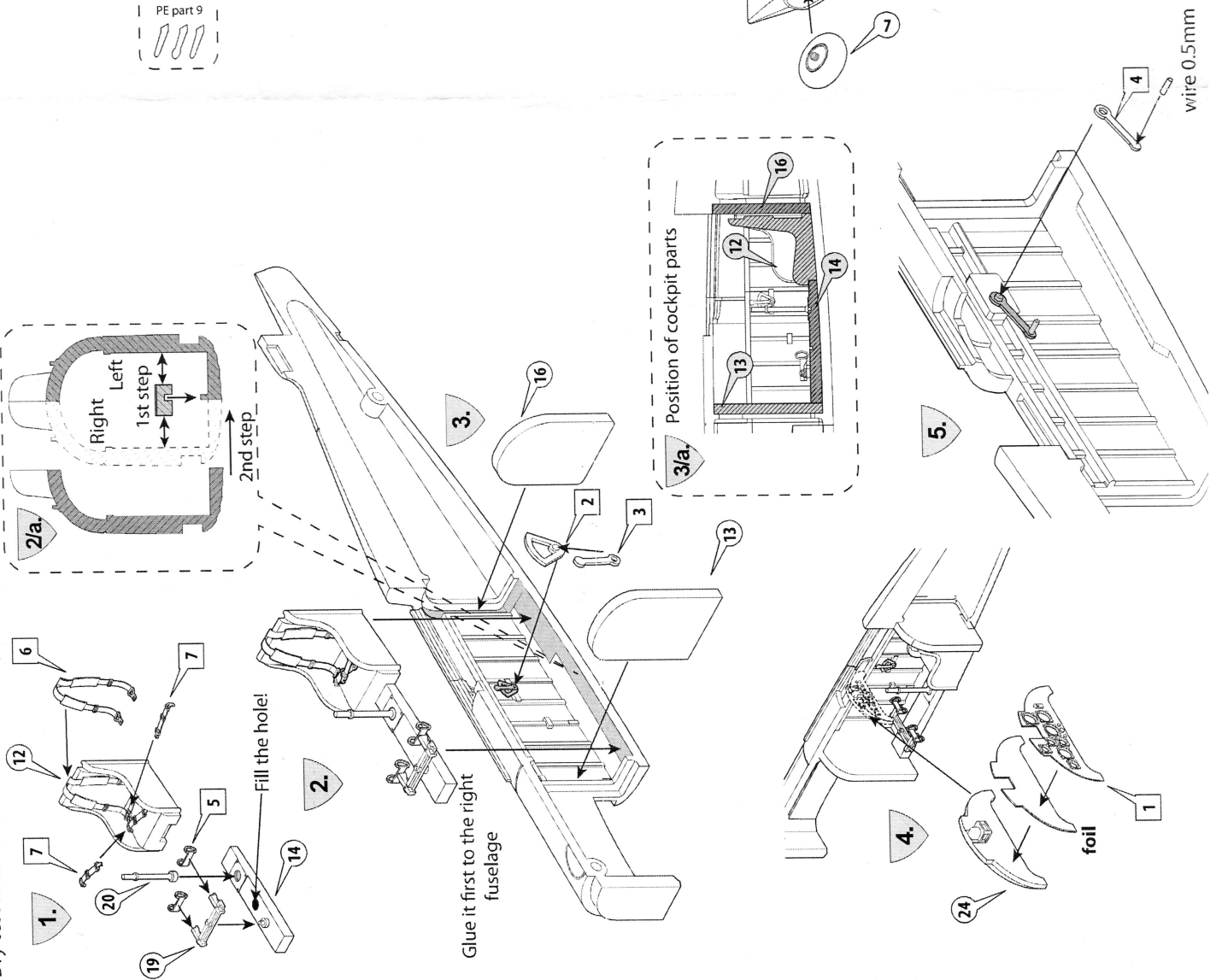
SBS model



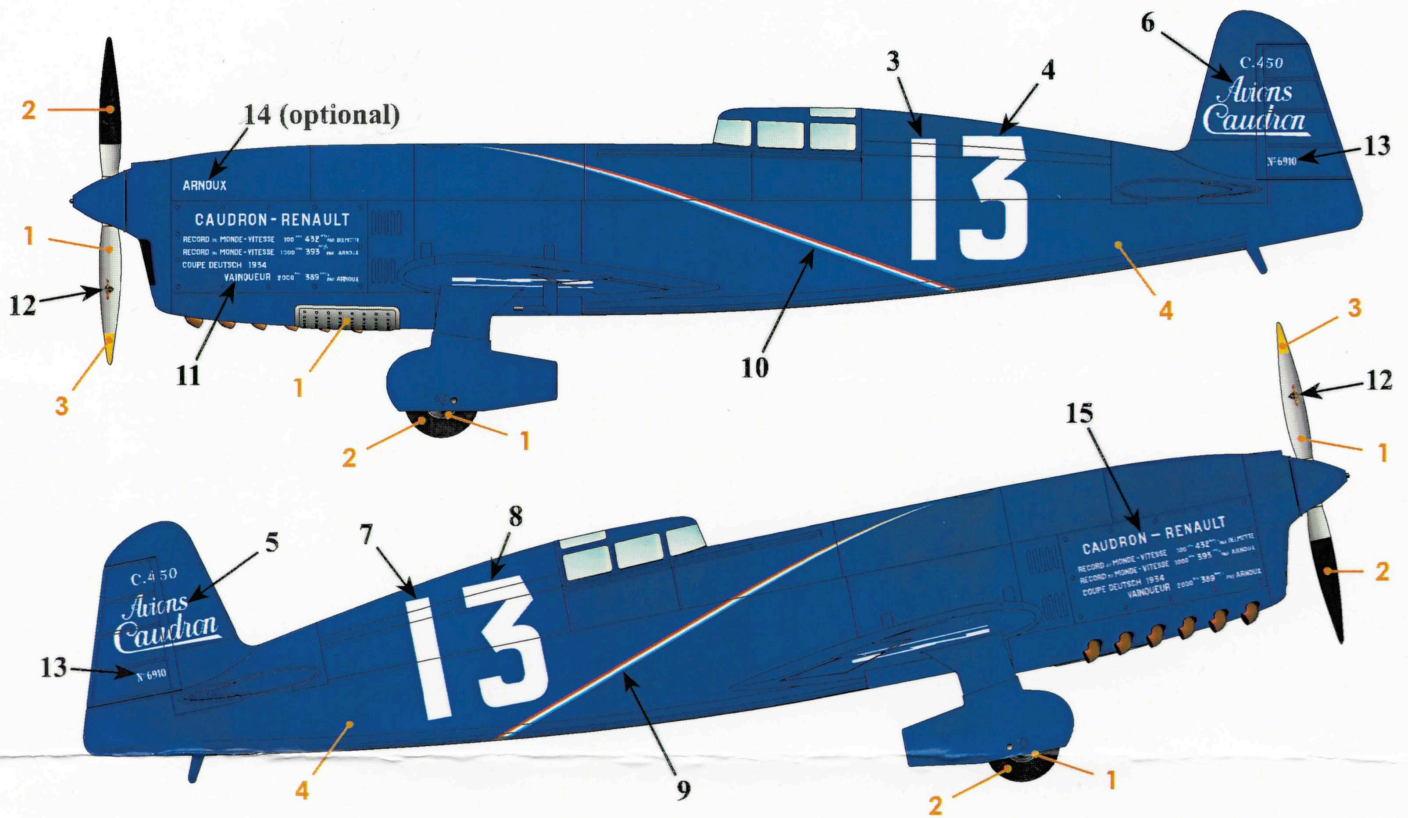
Dry test recommended before every assembly step!
 Visit the last page for some assembly tips!



Dry test recommended before every assembly step!



Caudron C.450 n°6910 Hélène Boucher, 1934



Decal 14 optional: Maurice Arnoux, 1935 Coupe Deutsch de la Meurthe

