

Clear Prop!

ADVANCED



XA2D-1 SKYSHARK



1:48
model # CP4802



scale model kit

SPAN: 317.5 mm

LENGTH: 261.2 mm

NUMBER OF PARTS: 291 pcs

-  stages of assembly
-  optional
-  variants of assembly
-  glue by super glue
-  part number
-  do not glue
-  separate details
-  make a hole
-  apply decals
-  detach with knife
-  apply the adhesive mask
-  paint
-  bend
-  repeat the operation N times

Role	Attack aircraft
Manufacturer	Douglas Aircraft Company
First flight	26 March 1950
Primary user	United States Navy
Number built	12

The Douglas A2D Skyshark was an American turboprop-powered attack aircraft built by the Douglas Aircraft Company for the United States Navy. On 25 June 1945, the Bureau of Aeronautics asked Douglas Aircraft for a turbine-powered, propeller-driven aircraft. Also, on 11 June 1947 Douglas received the Navy's letter of intent for a carrier-based turboprop. The need to operate from Casablanca-class escort carriers dictated the use of a turboprop instead of jet power. While it resembled the AD Skyraider, the A2D was different in a number of unseen ways. The 5,100-equivalent shaft horsepower Allison XT-40-A2 had more than double the horsepower of the Skyraider's R-3350. The XT40 installation on the Skyshark used contra-rotating propellers to harness all the available power. Wing root thickness decreased, from 17% to 12%, while both the height of the tail and its area grew.

Engine-development problems delayed the first flight until 26 May 1950, made at Edwards Air Force Base by George Jansen.

Navy test pilot Cdr. Hugh Wood was killed attempting to land the first prototype XA2D-1, BuNo 122988, on 19 December 1950. He was unable to check the rate of descent, resulting in a high-impact crash on the runway. Additional instrumentation was added to the second prototype, but by the time it was ready to fly on 3 April 1952, sixteen months had passed, and with all-jet designs being developed, the A2D program was essentially dead. Total flight time on the lost airframe was barely 20 hours. Twelve Skysharks were built, two prototypes and ten pre-production aircraft. Most were scrapped or destroyed in accidents, and only one has survived.

REQUIRED PAINTS

A 
A.MIG-0227
NAVY BLUE

B 
A.MIG-0194
ALUMINIUM

C 
A.MIG-0125
INSIGNIA YELLOW

D 
A.MIG-0046
BLACK

E 
A.MIG-0191
POLISHED STEEL

F 
A.MIG-0045
GUN METAL

G 
A.MIG-0048
YELLOW

H 
A.MIG-0049
RED

I 
A.MIG-0047
WHITE

J 
A.MIG-0220
INTERIOR GREEN

K 
A.MIG-0056
KHAKI

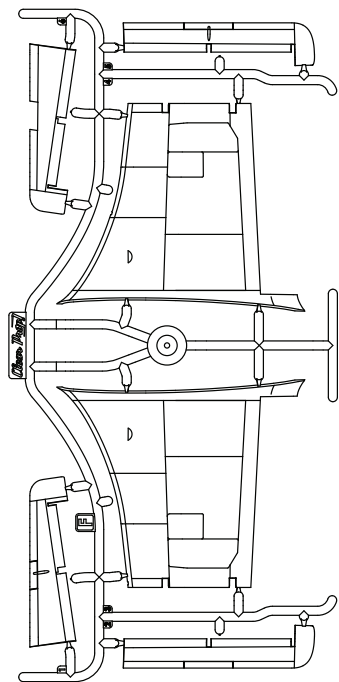
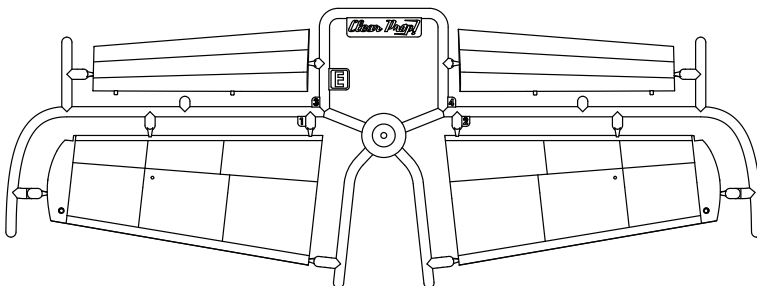
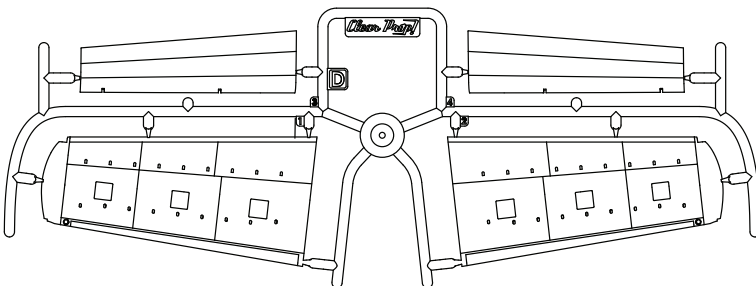
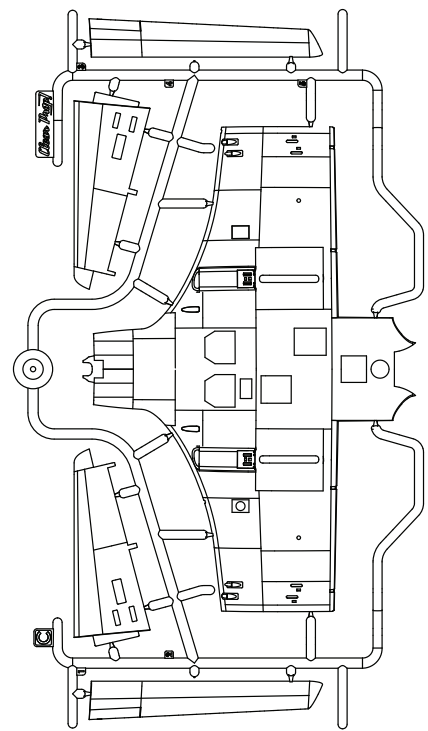
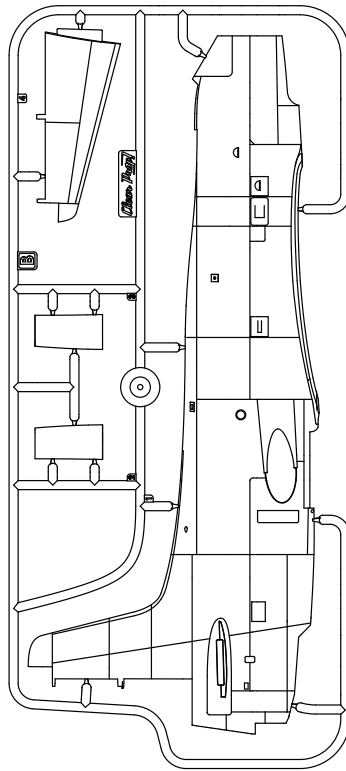
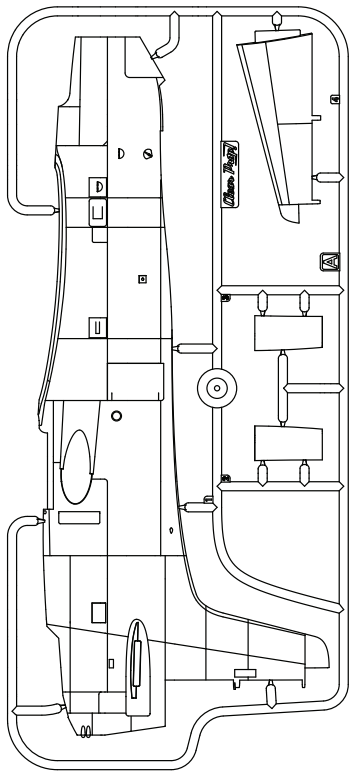
L 
A.MIG-0187
BURNT IRON

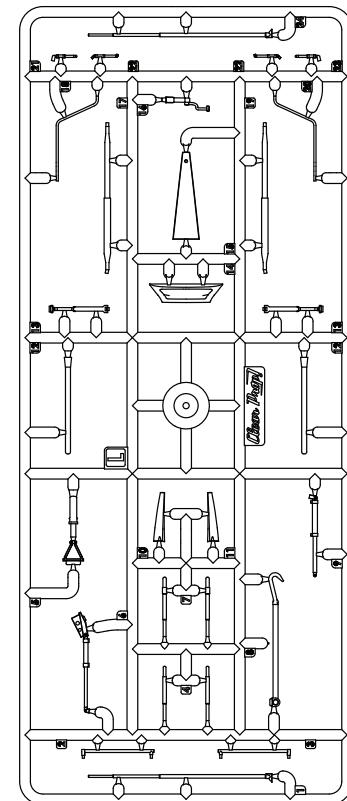
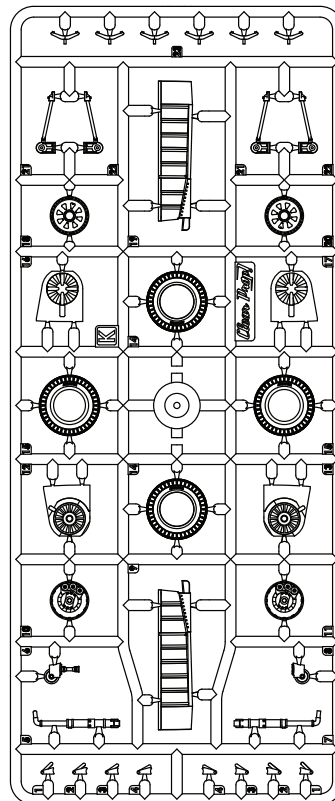
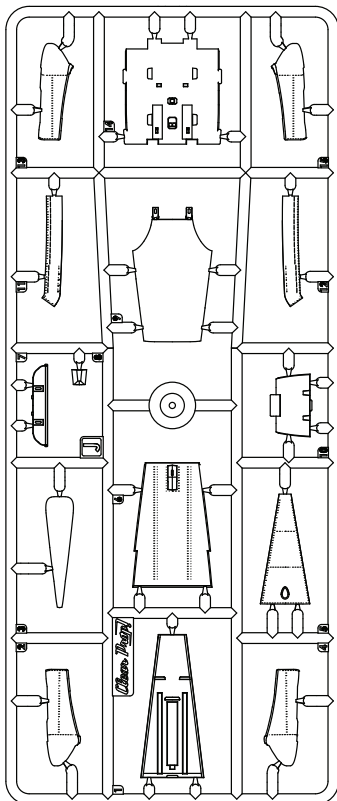
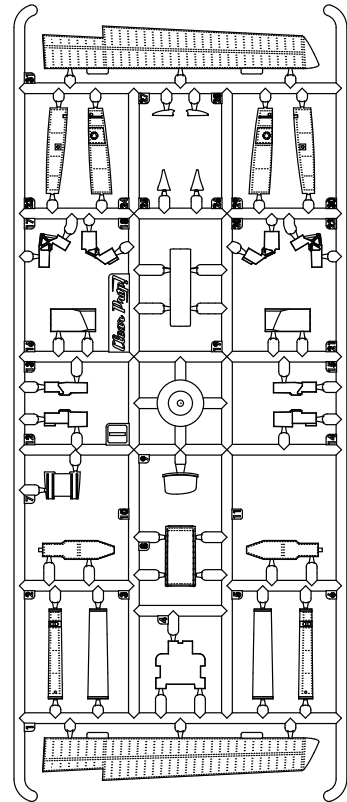
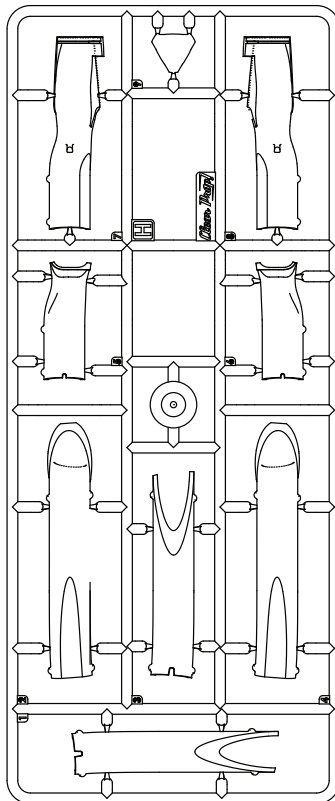
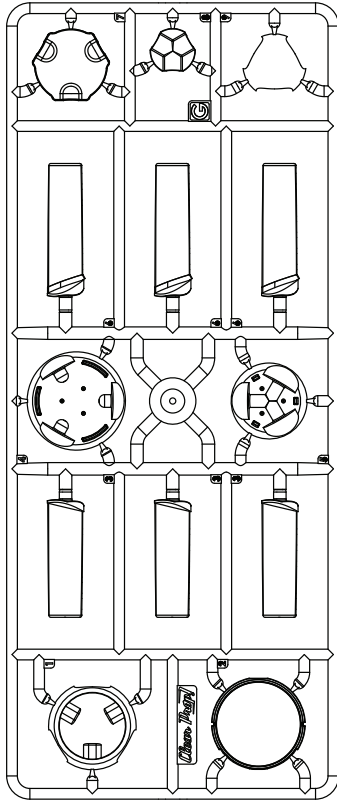
M 
A.MIG-0033
TIRE BLACK

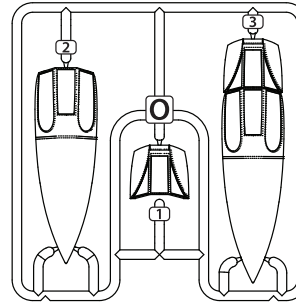
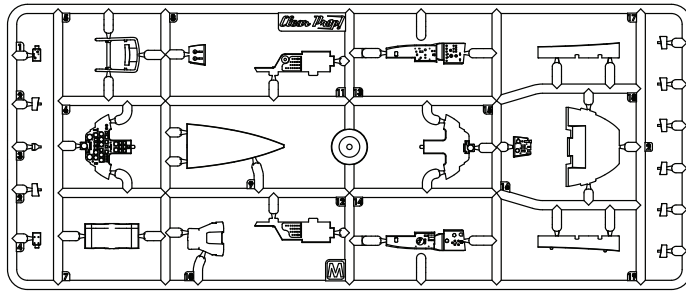
N 
A.MIG-0195
SILVER



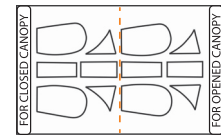
THIS MODEL IS PRODUCED FOR EXPERIENCED MODELERS OVER 14 YEARS



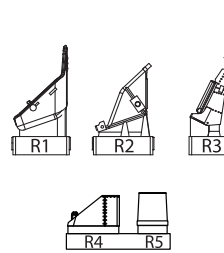
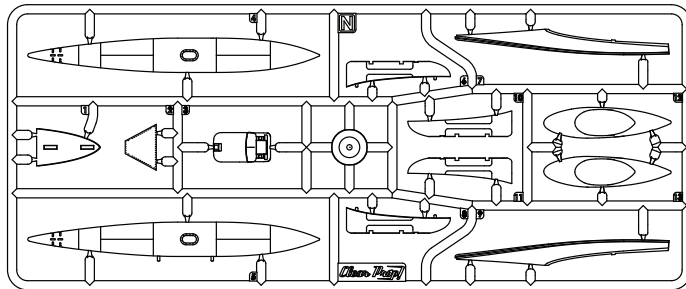
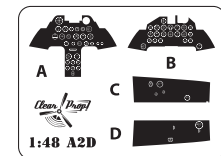




MASKS



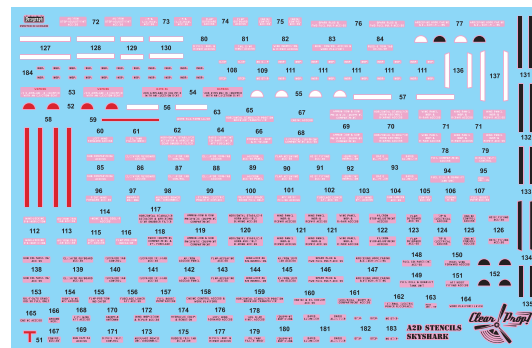
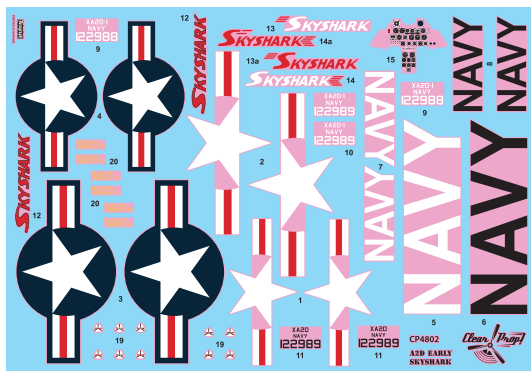
CLEAR FILM



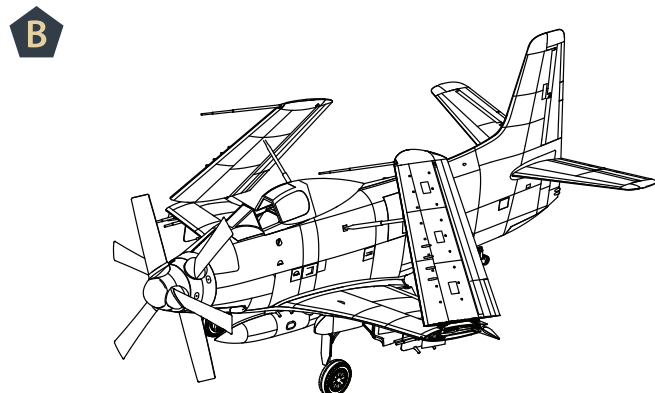
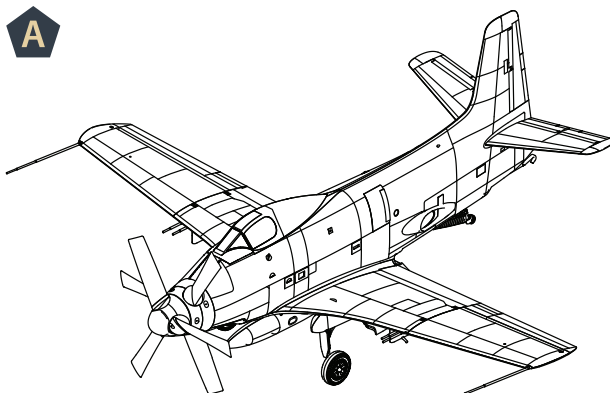
PHOTOETCHED PARTS

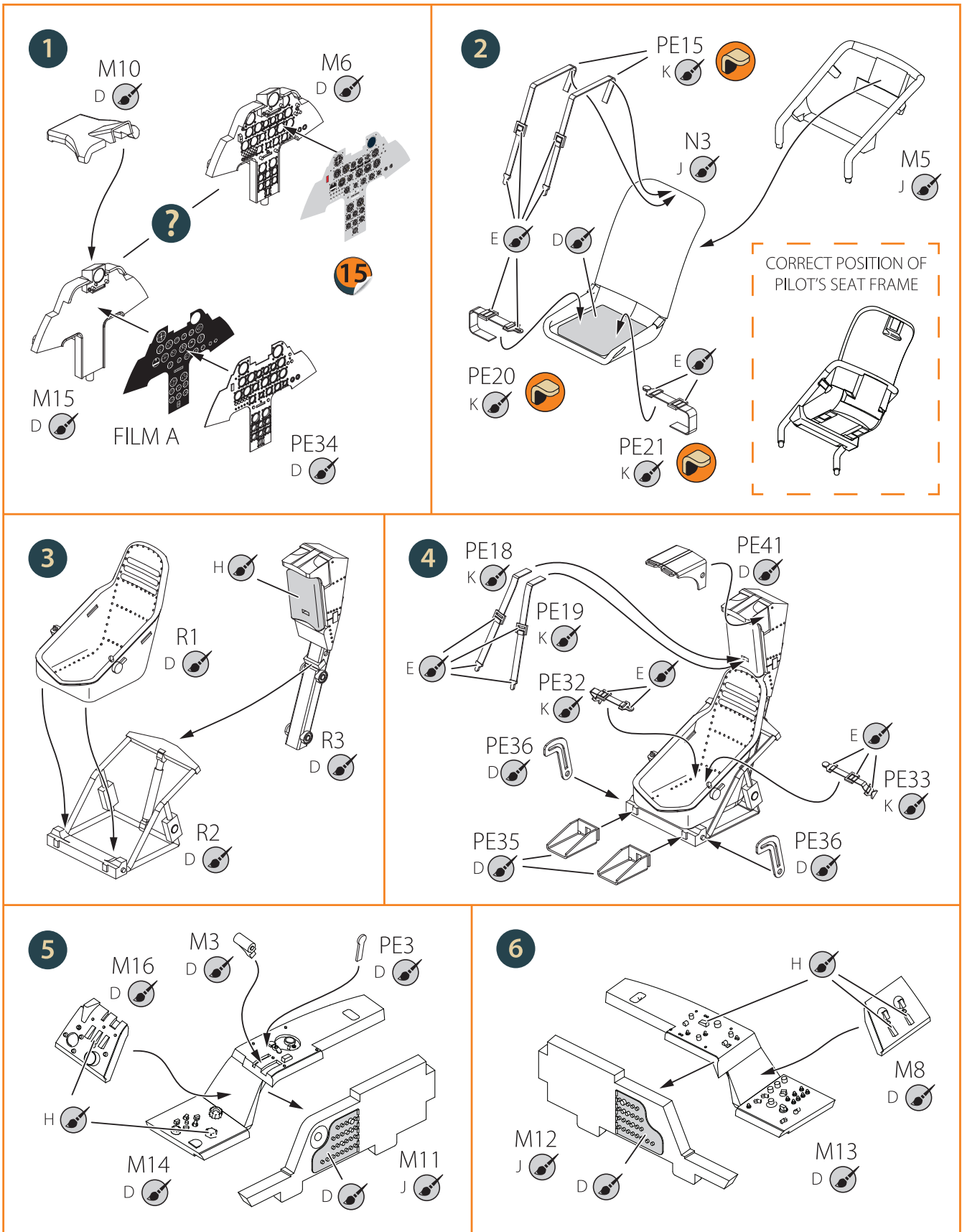


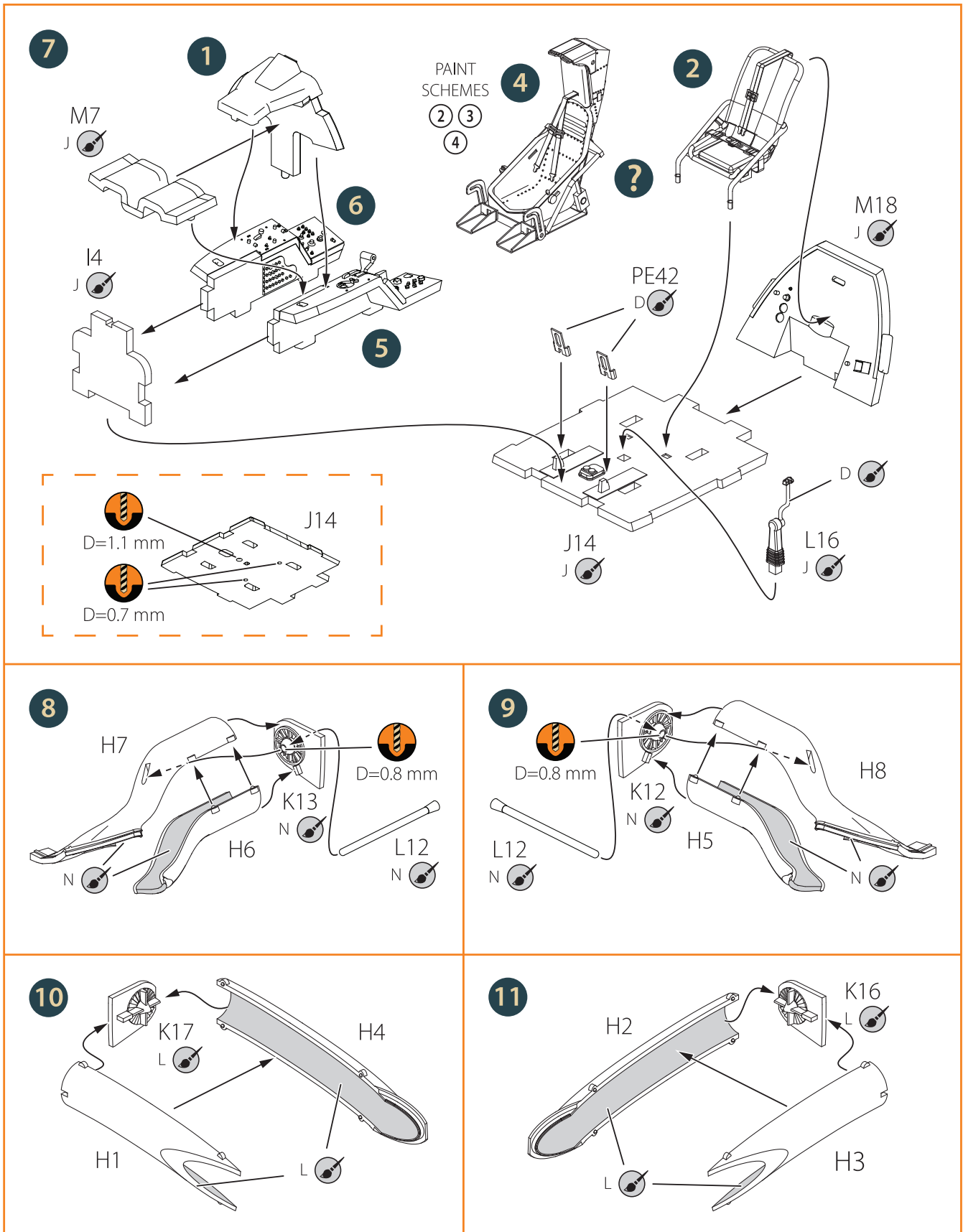
DECAL SHEETS



VARIANTS OF ASSEMBLY





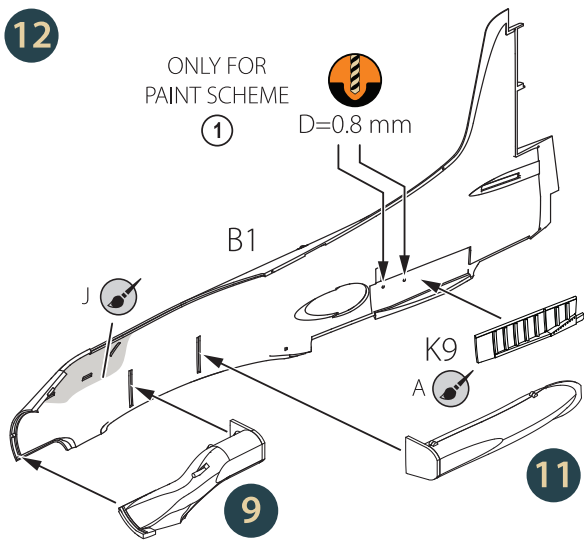


12

 ONLY FOR
PAINT SCHEME

①

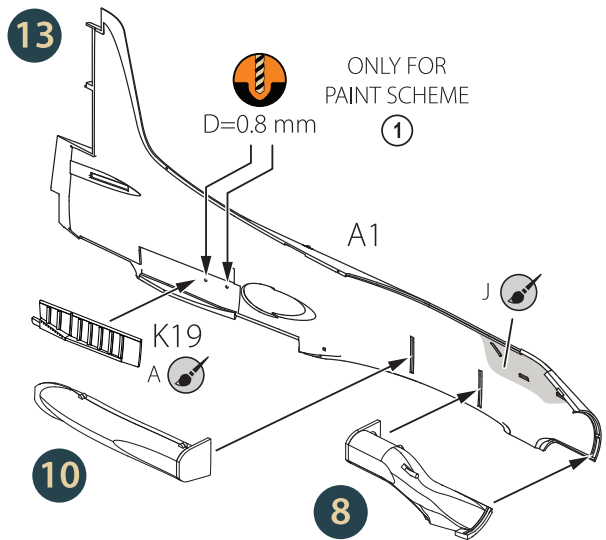
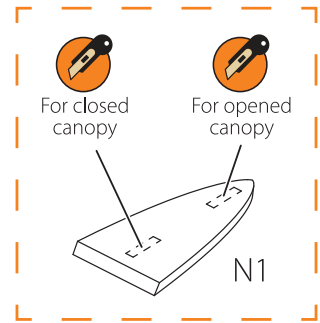
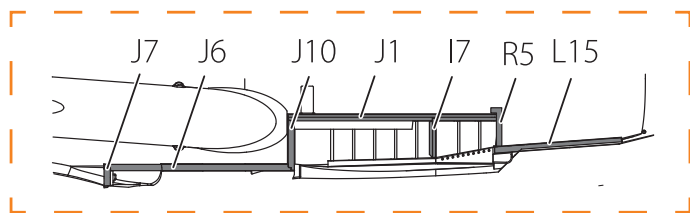
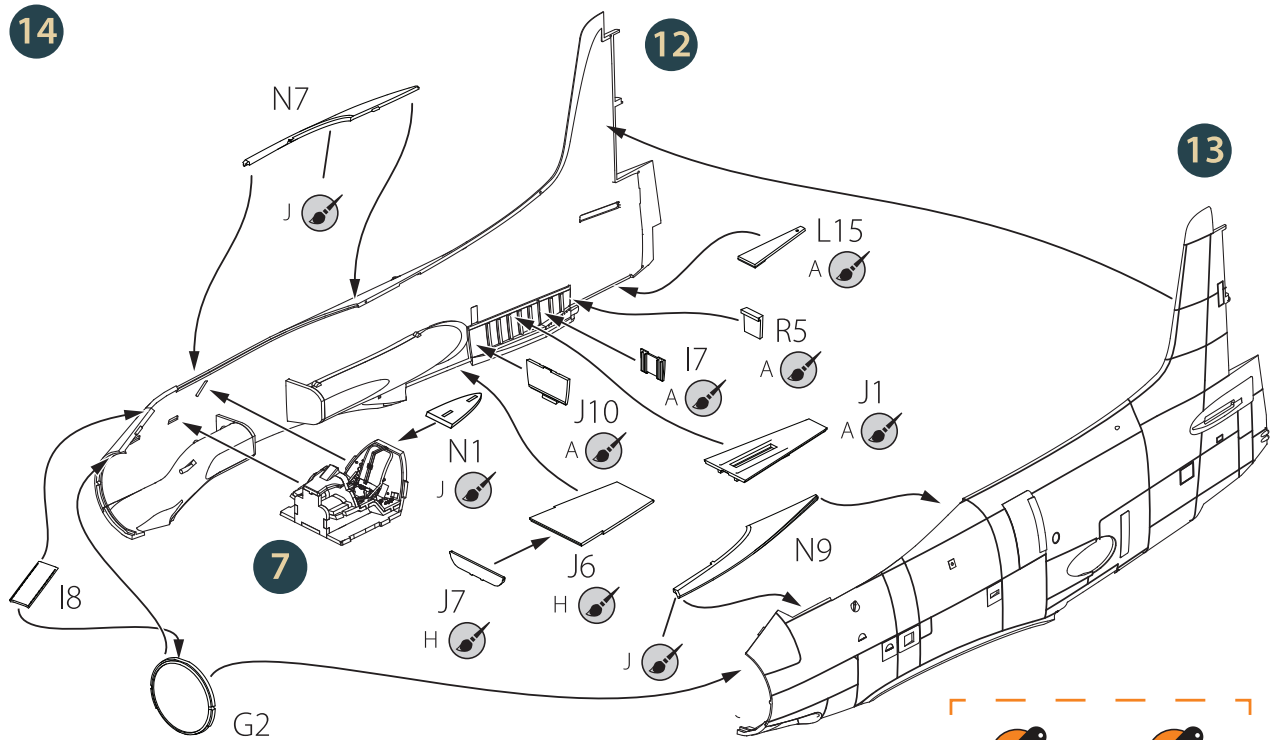
D=0.8 mm

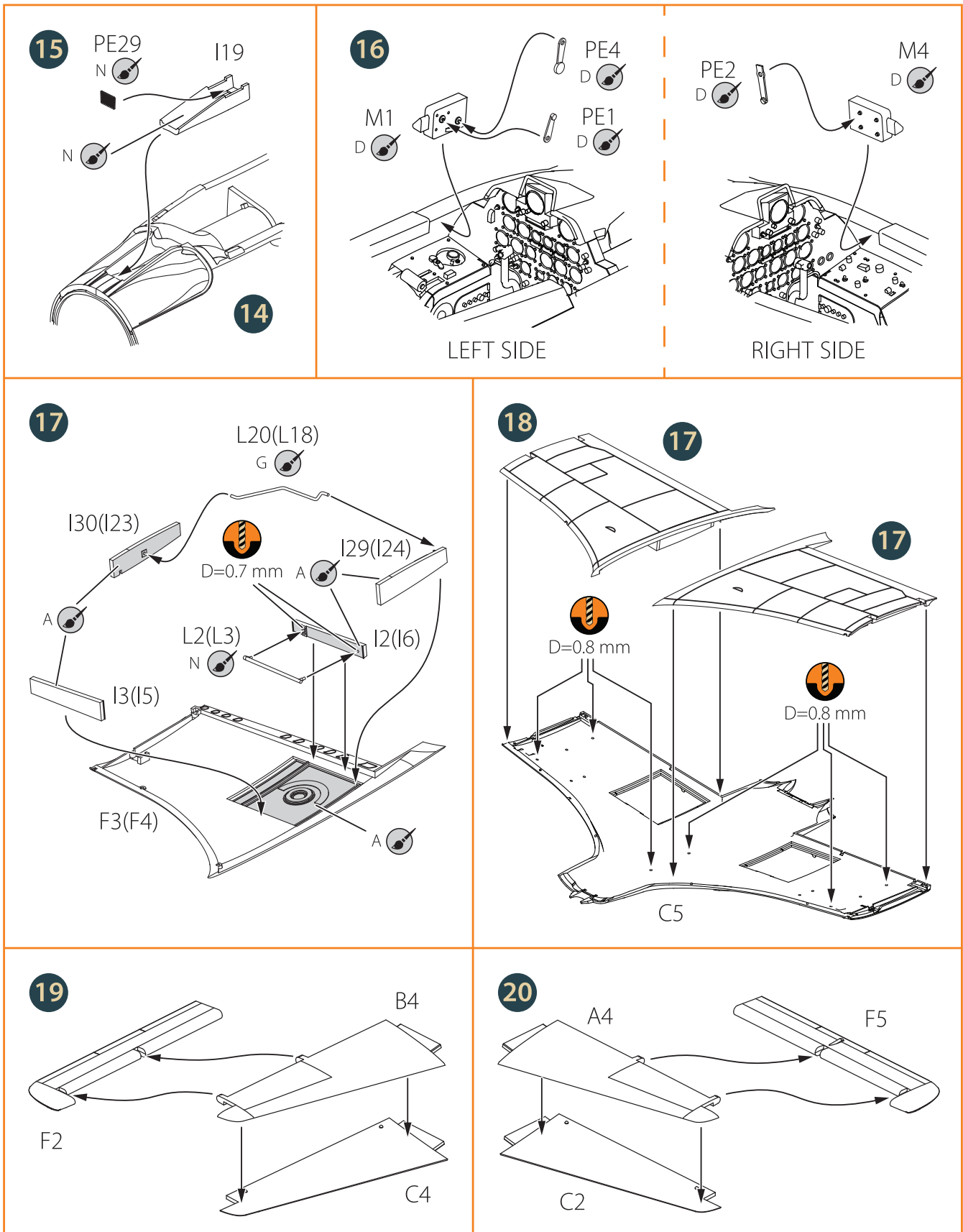

13

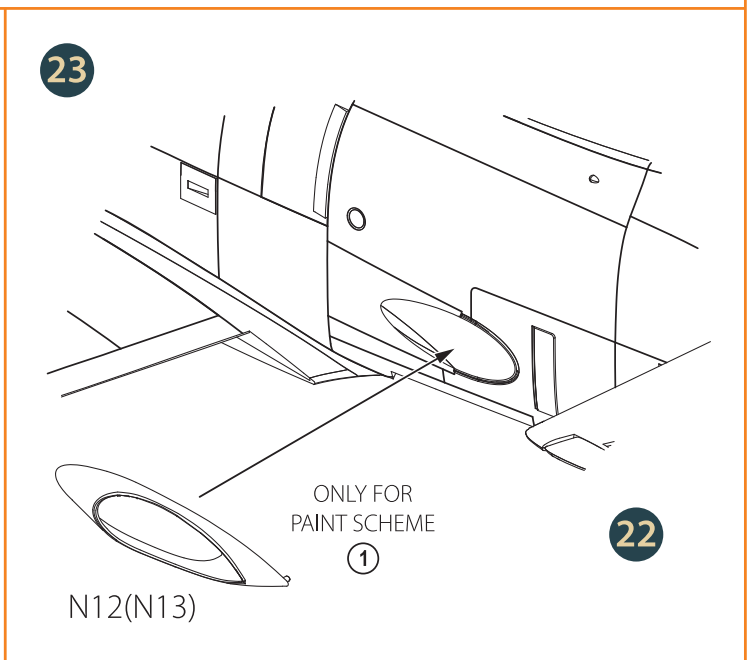
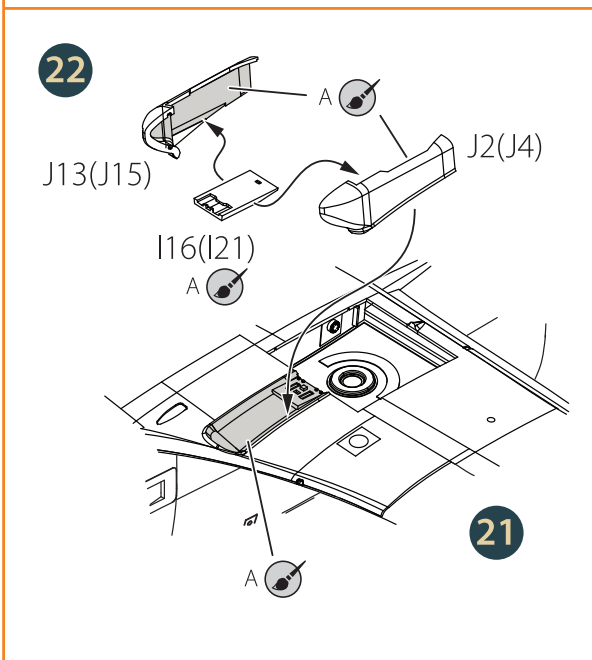
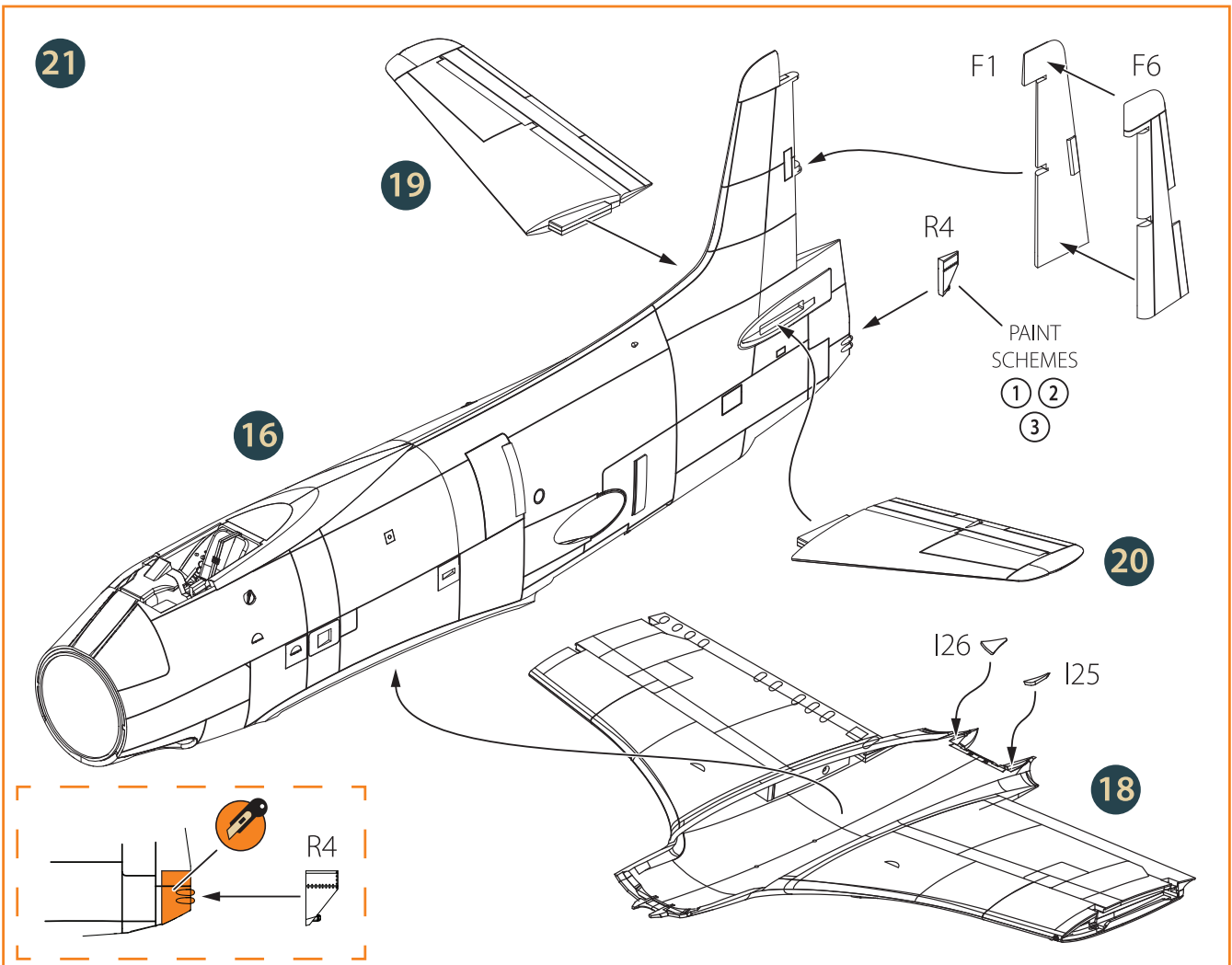
 ONLY FOR
PAINT SCHEME

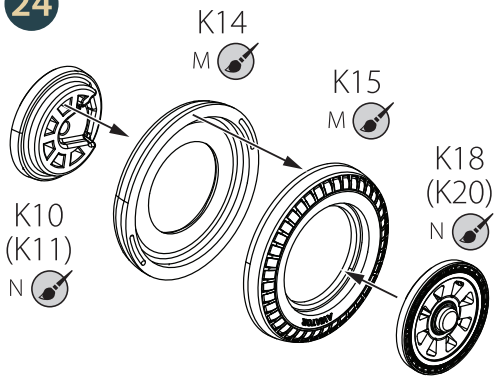
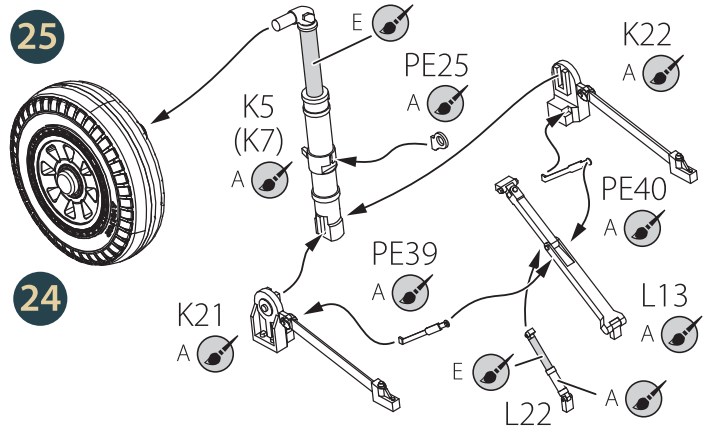
①

D=0.8 mm

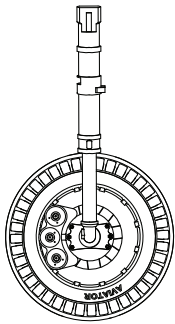

14




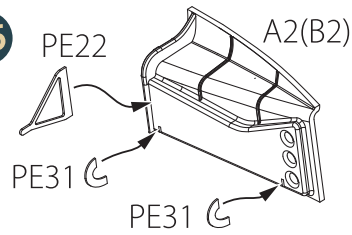
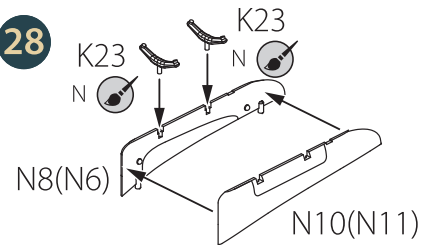
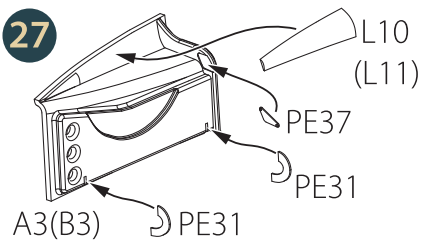
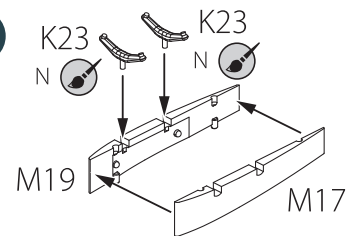
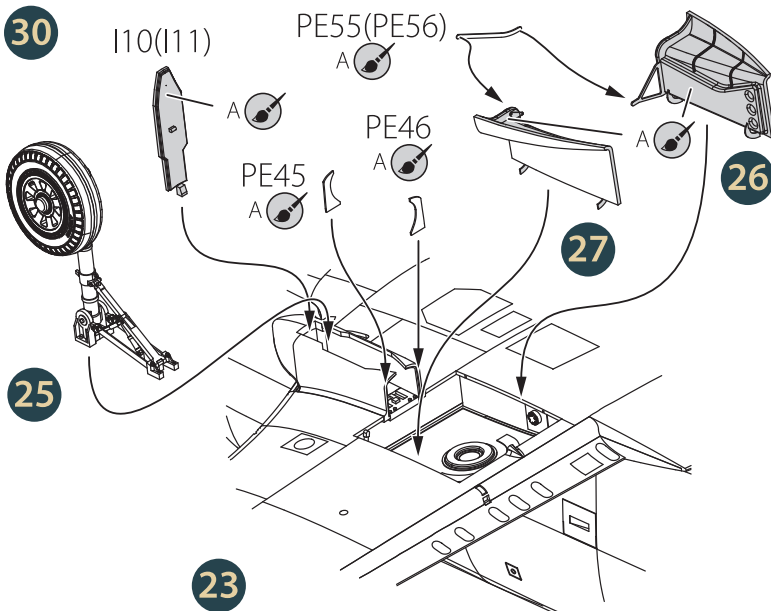


24

25


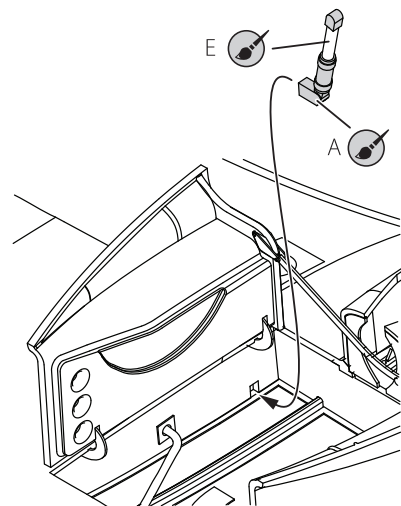
CORRECT POSITION
OF MAIN WHEEL ON
LANDING GEAR

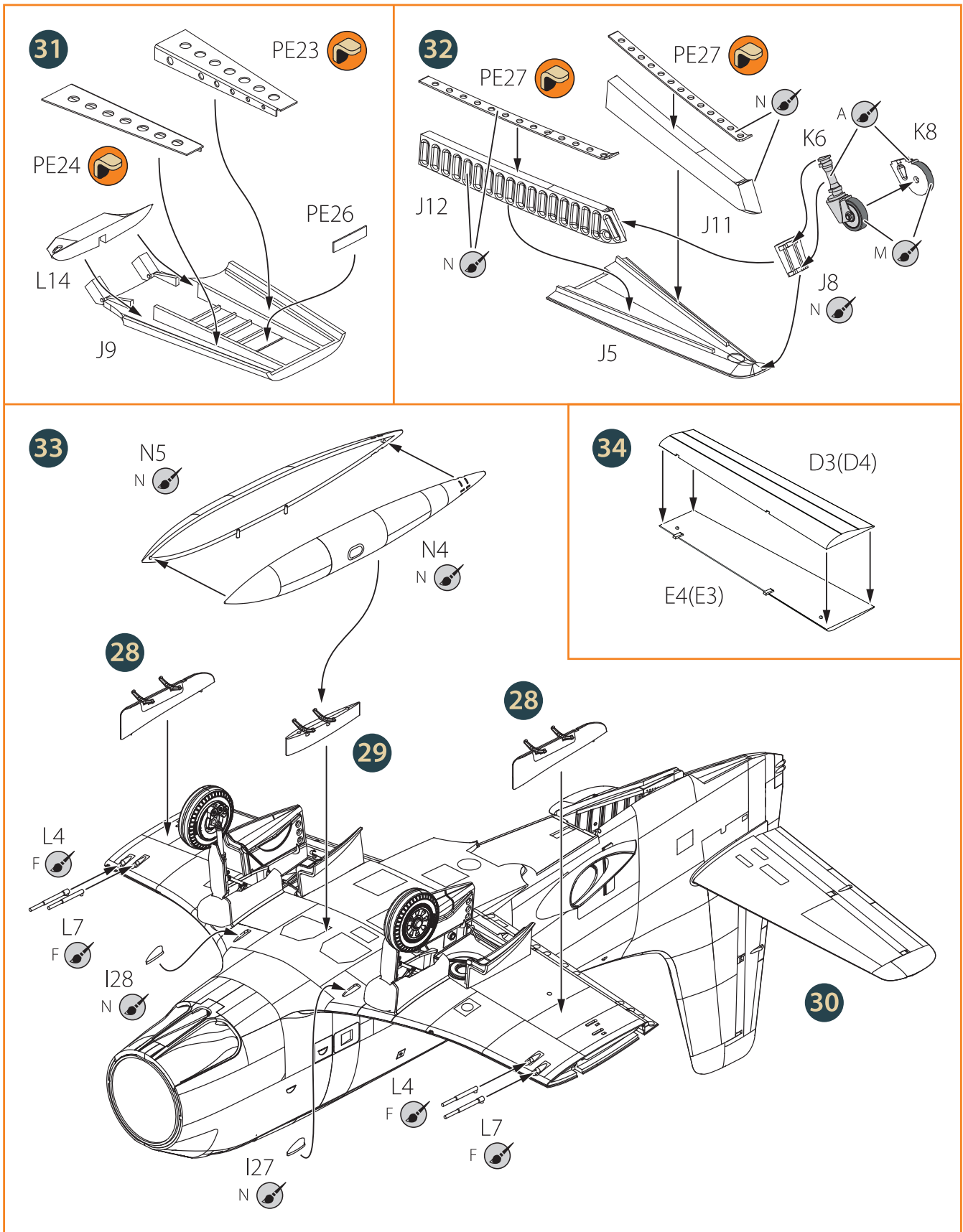


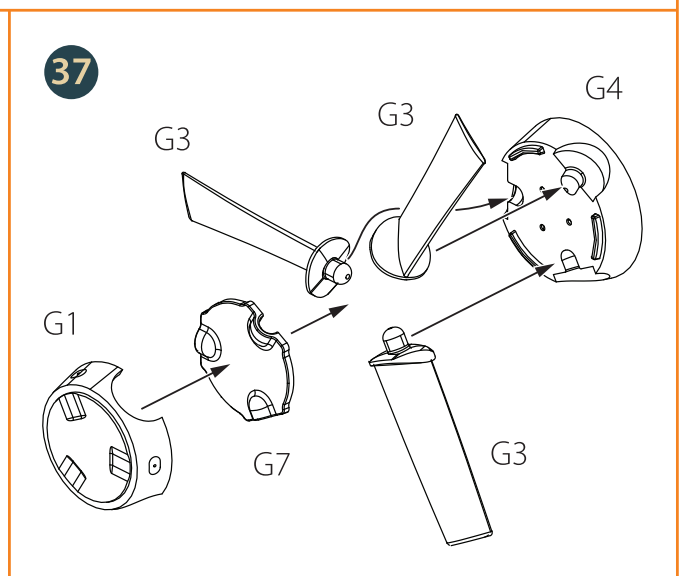
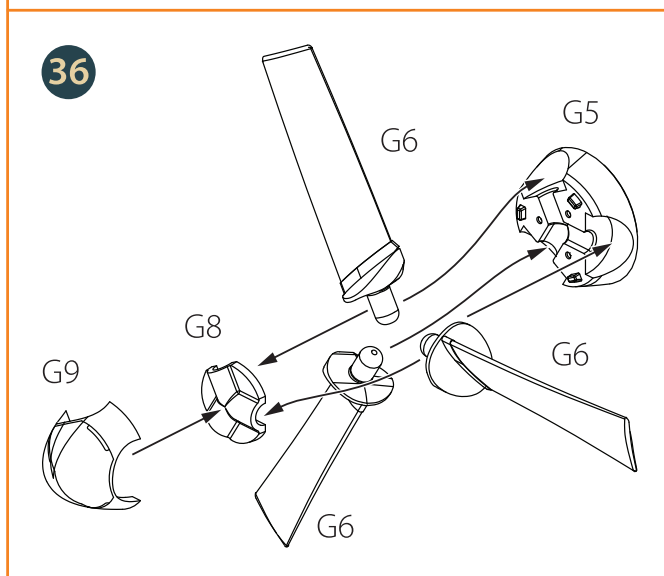
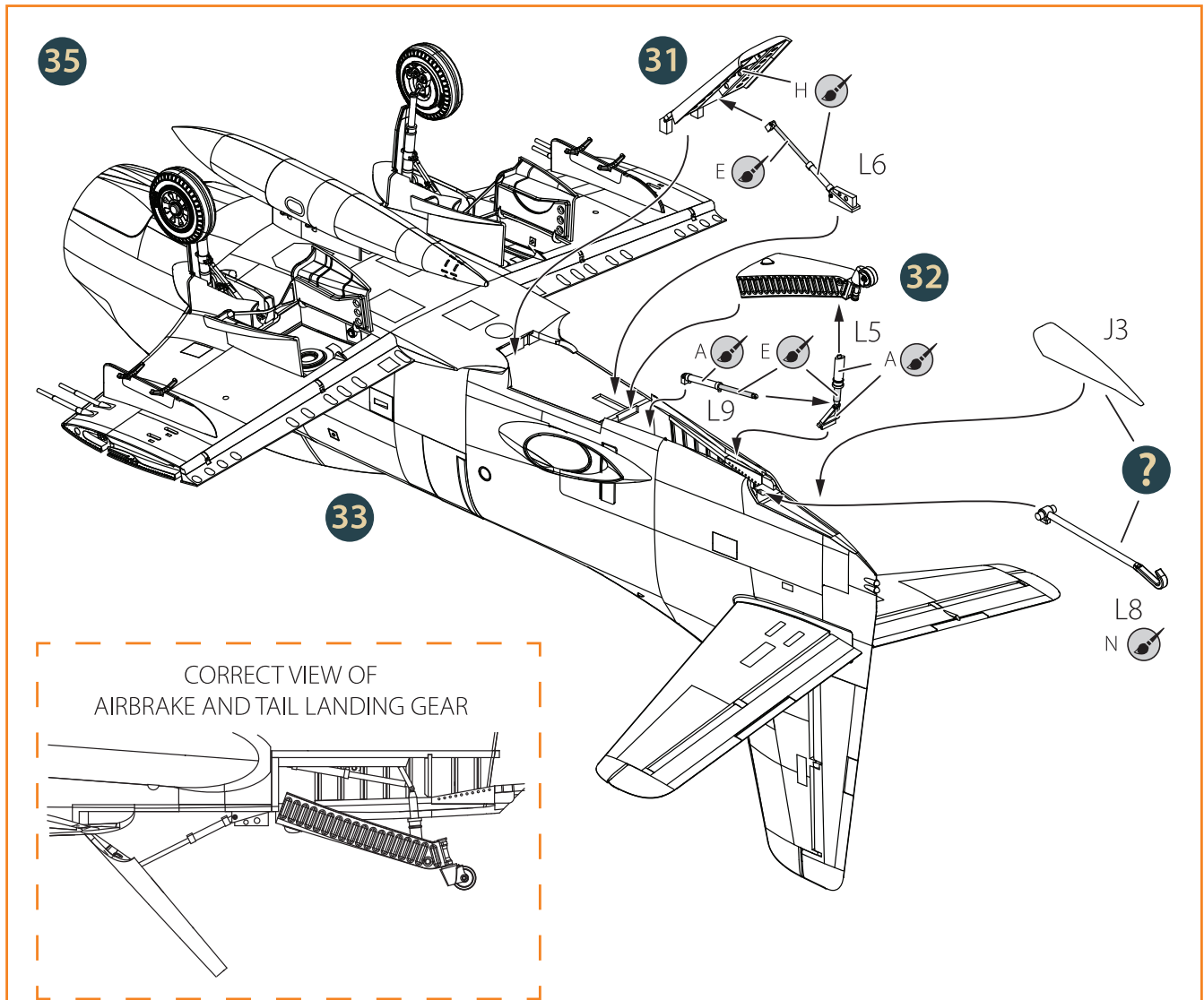
FLIGHT DIRECTION →

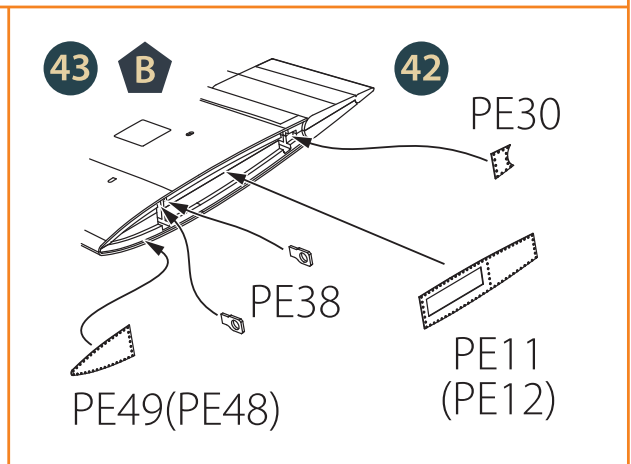
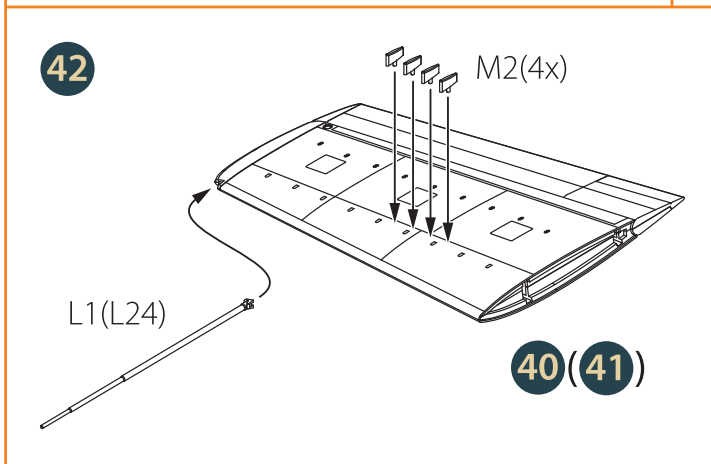
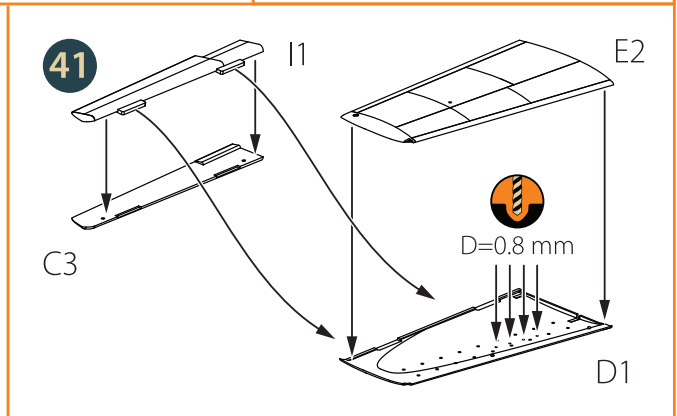
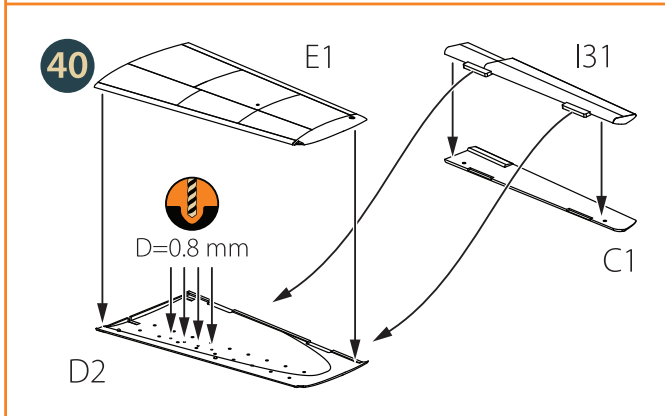
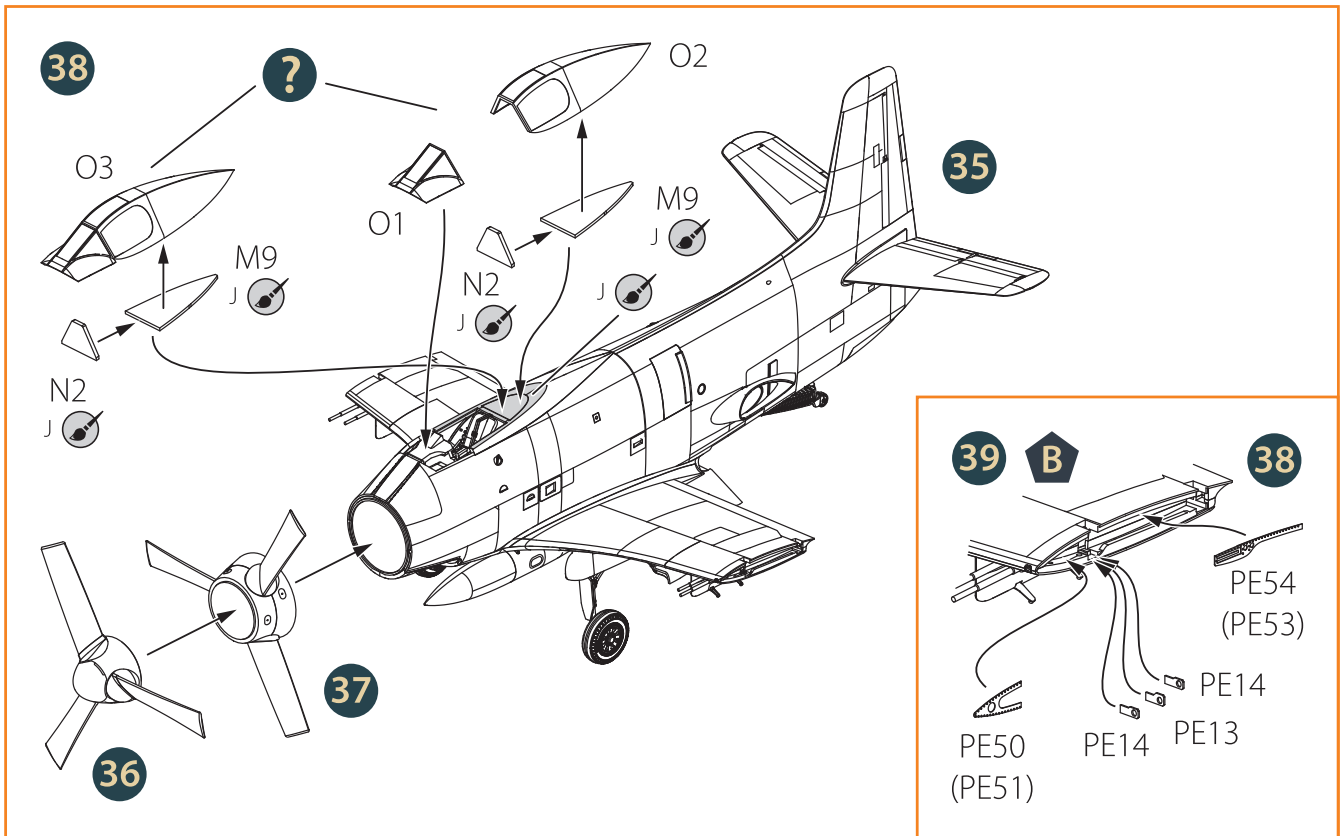
26

28

27

29

30


L21(L23)

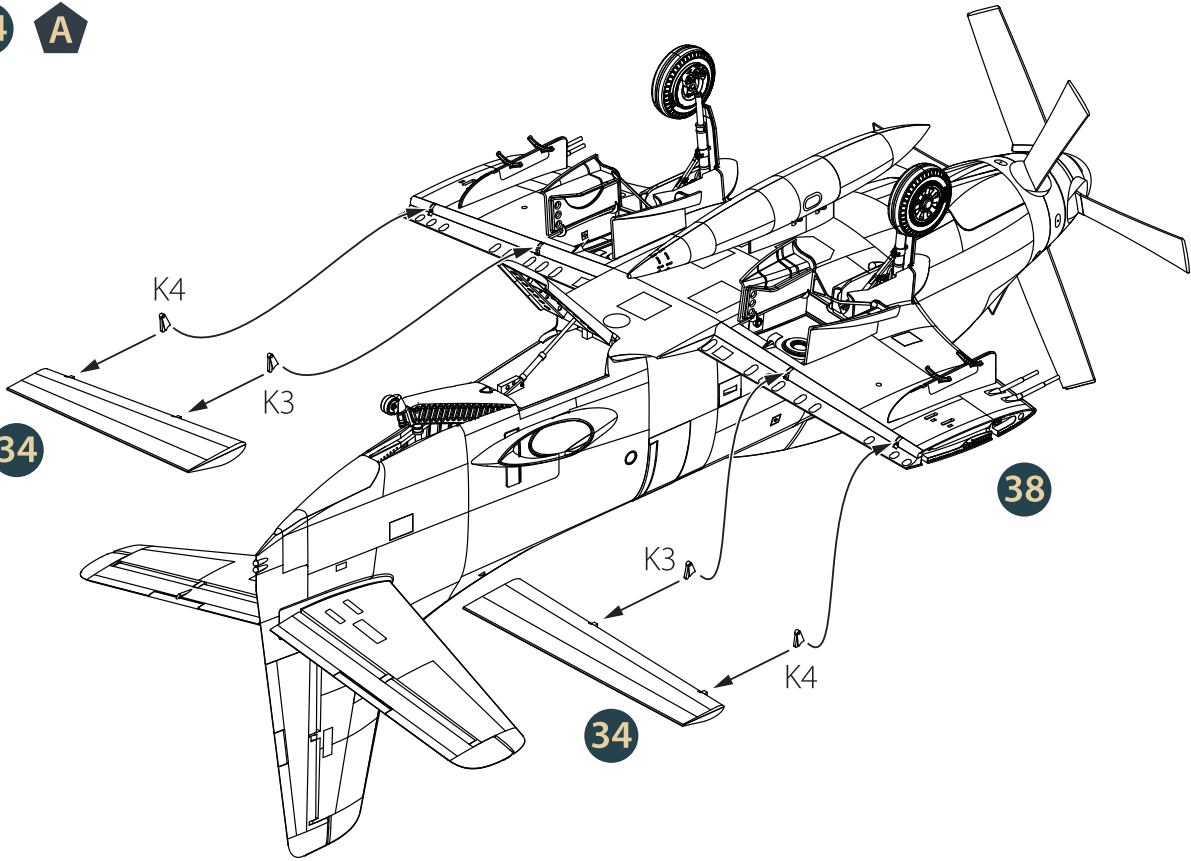




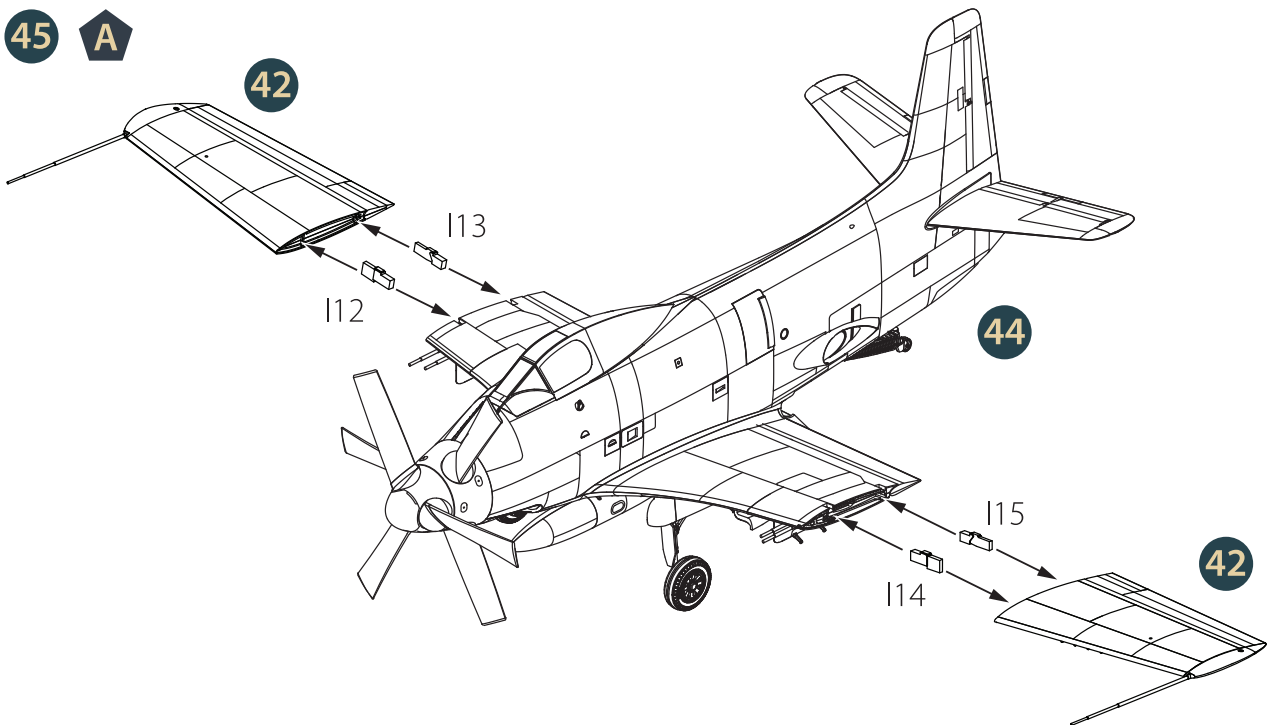




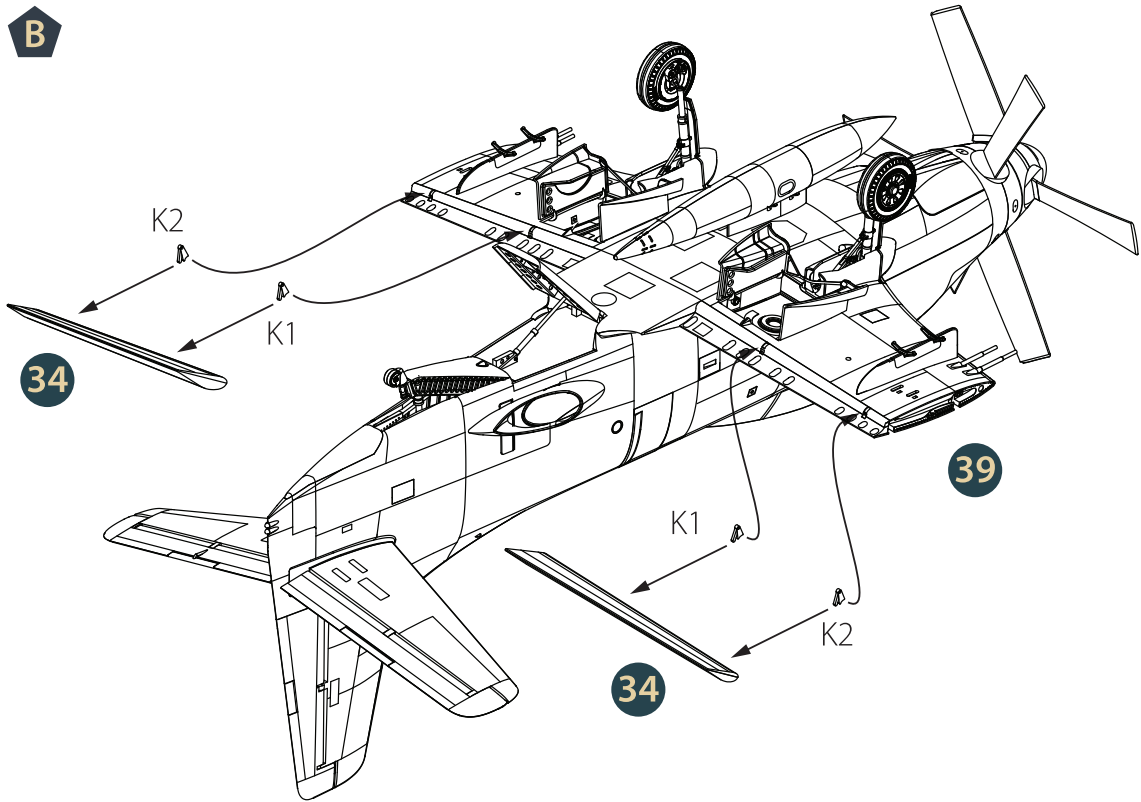
44



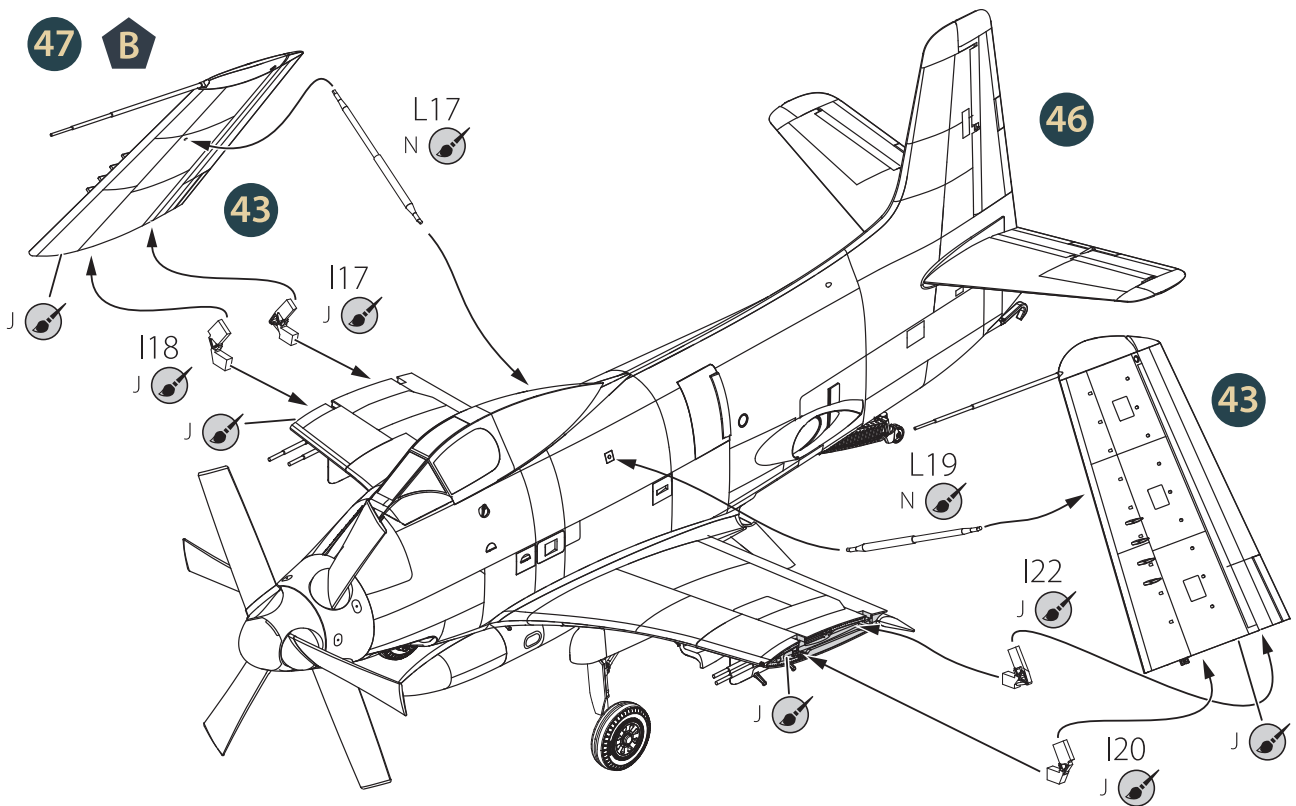
45



46 **B**



47 **B**





A.MIG-0227
NAVY BLUE



A.MIG-0194
ALUMINIUM



A.MIG-0125
INSIGNIA YELLOW



A.MIG-0046
BLACK



A.MIG-0191
POLISHED STEEL



A.MIG-0045
GUN METAL



A.MIG-0048
YELLOW

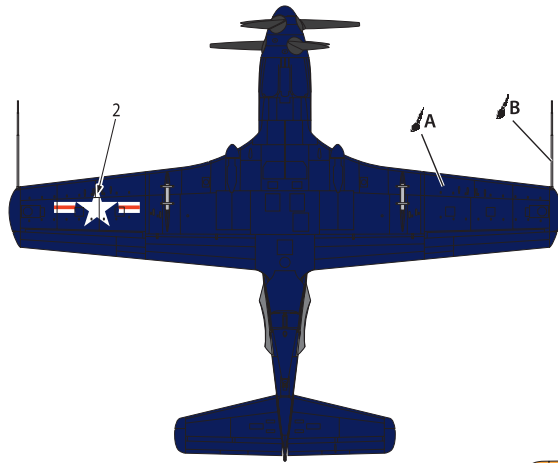
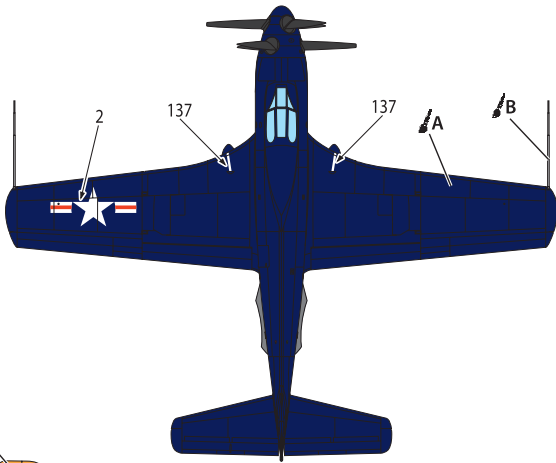
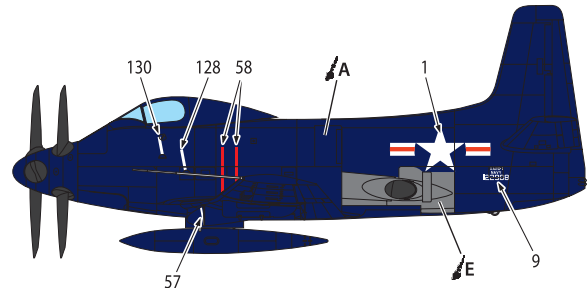
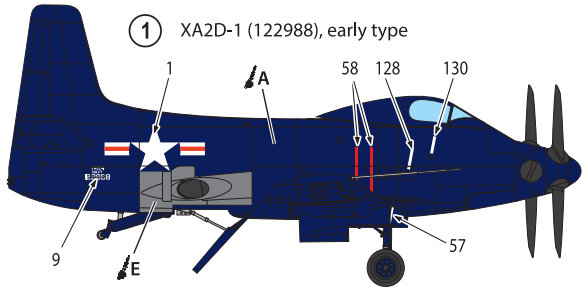


A.MIG-0049
RED

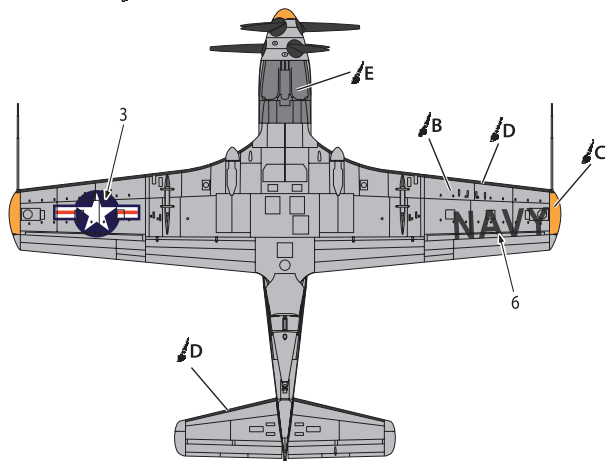
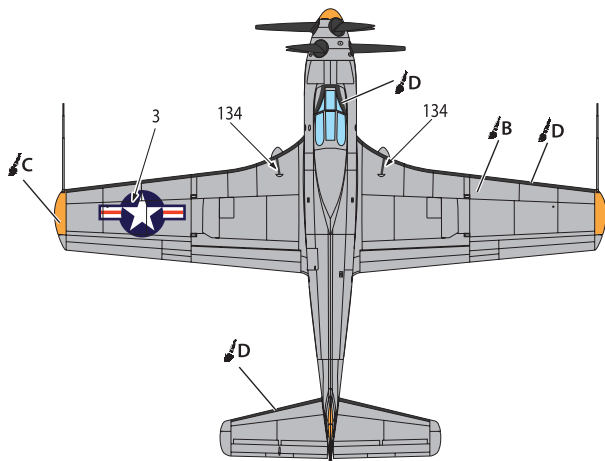
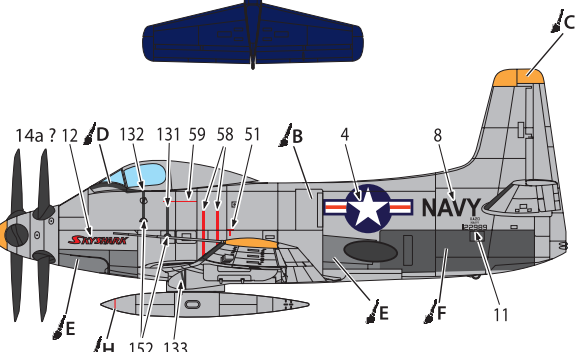
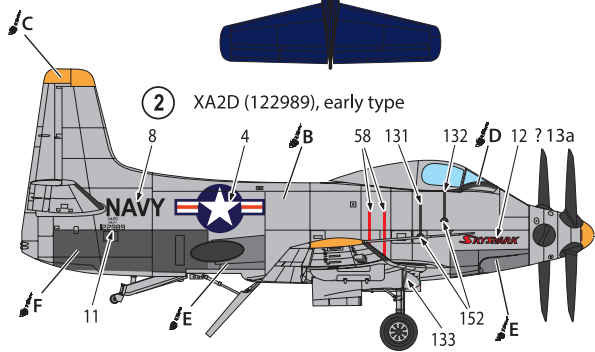


A.MIG-0047
WHITE

① XA2D-1 (122988), early type



② XA2D (122989), early type





A.MIG-0227
NAVY BLUE



A.MIG-0194
ALUMINIUM



A.MIG-0125
INSIGNIA YELLOW



A.MIG-0046
BLACK



A.MIG-0191
POLISHED STEEL



A.MIG-0045
GUN METAL



A.MIG-0048
YELLOW



A.MIG-0049
RED



A.MIG-0047
WHITE

