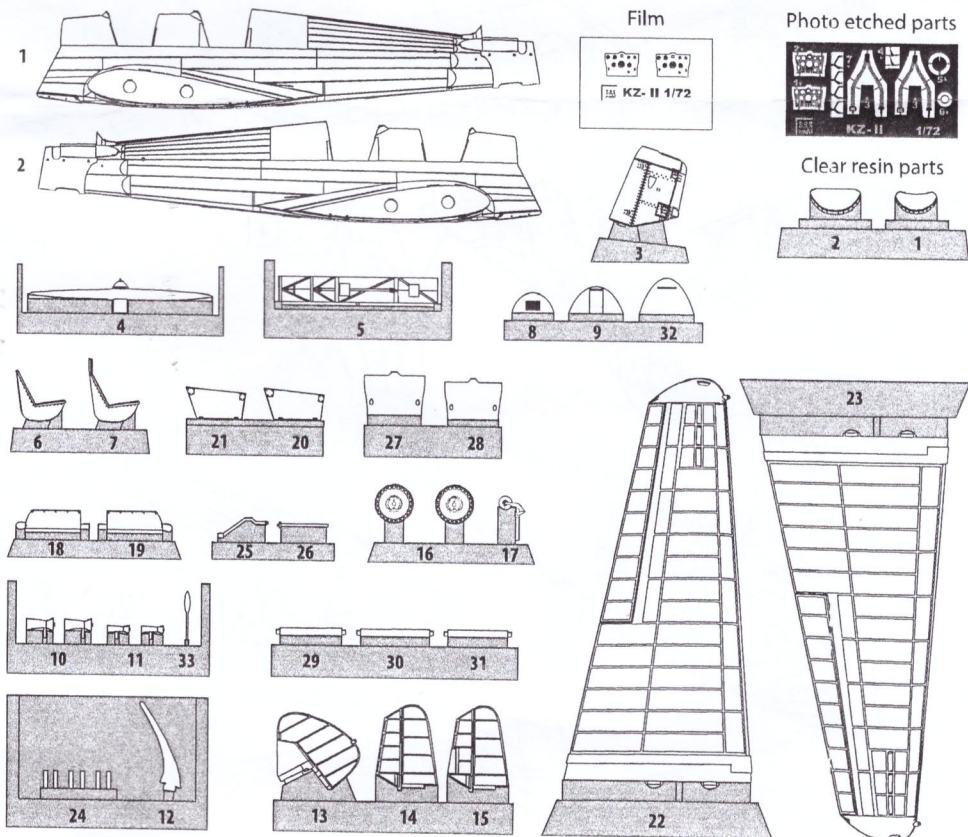
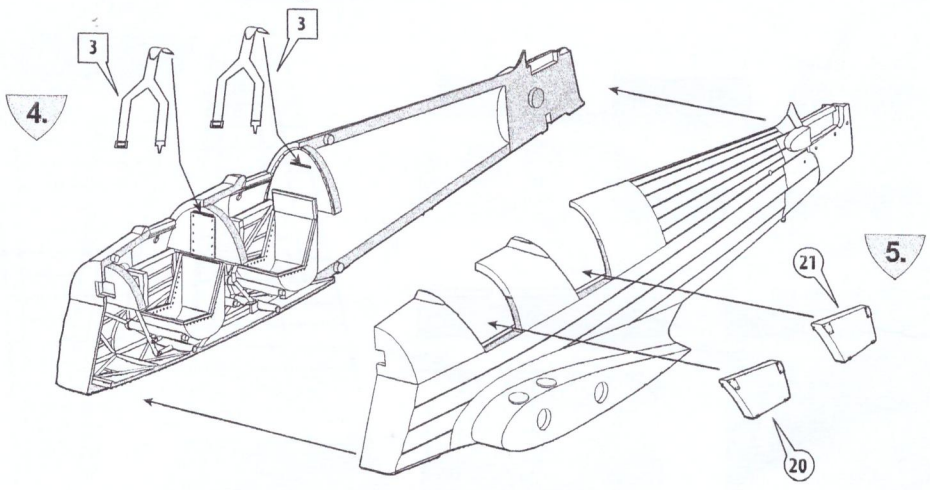
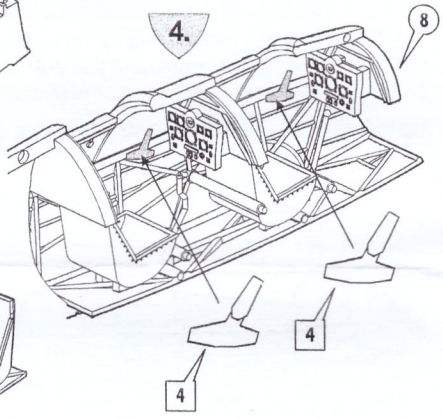
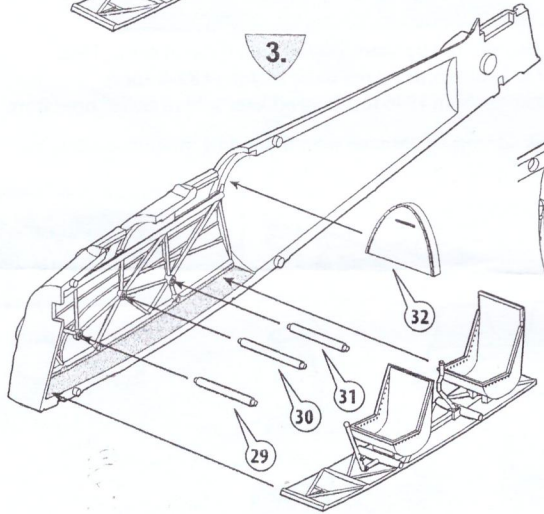
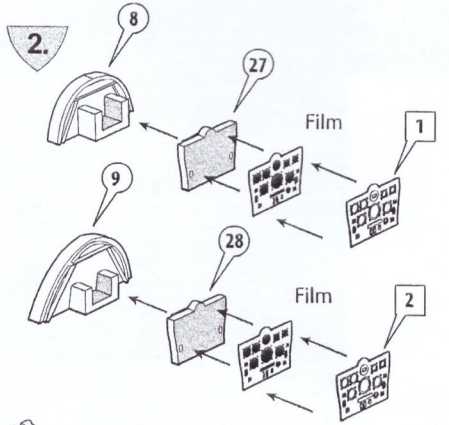
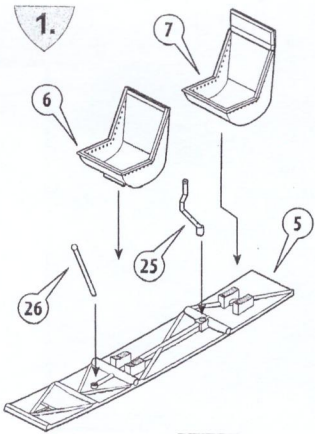
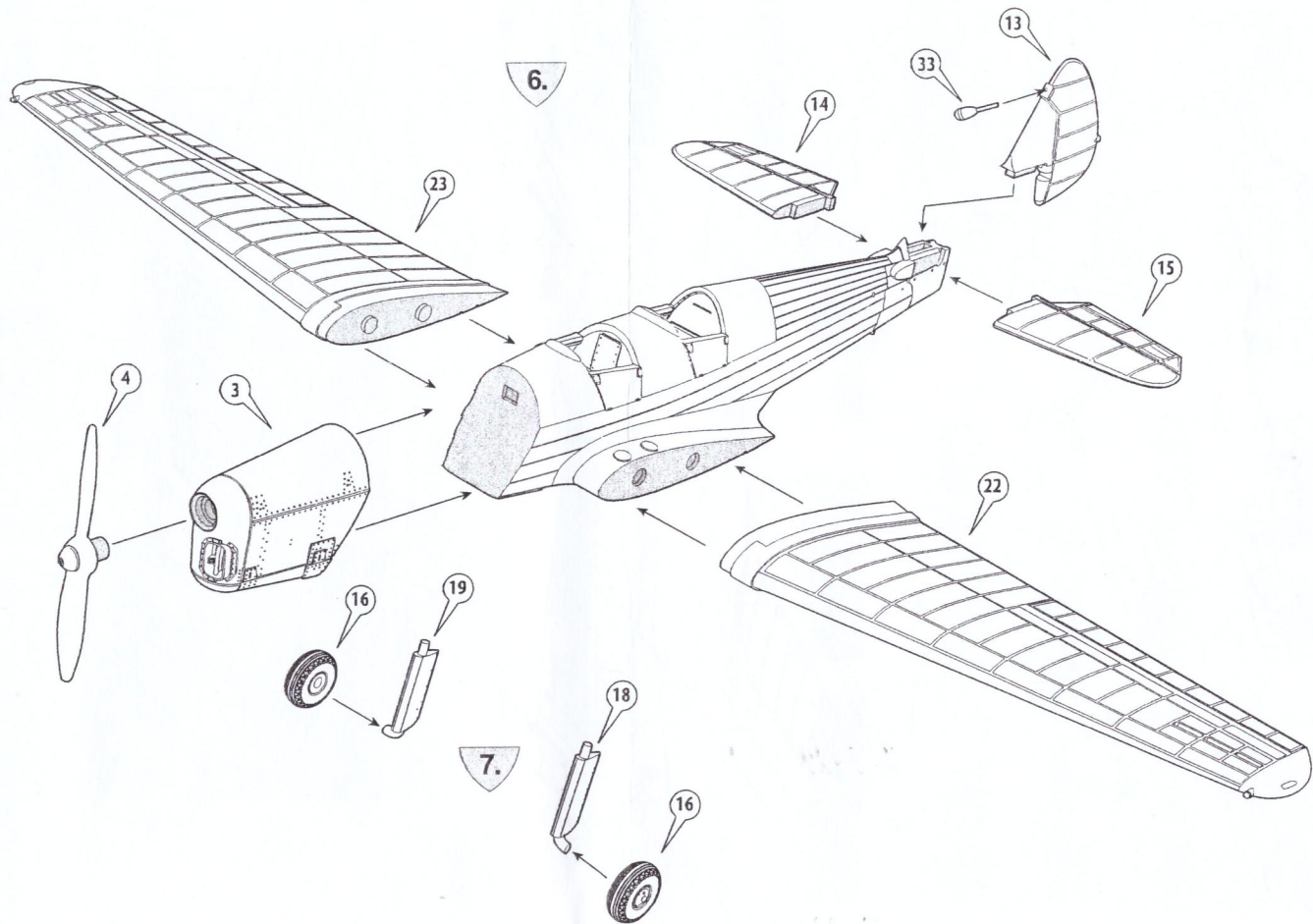


The KZ-II Træner was a single engine trainer aircraft built by Skandinavisk Aero Industri A/S in 1946. Designers were Viggo Kramme and Karl Gustav Zeuthen, using the basic design of KZ-II Sport. The Danish Air Force used them as primary trainers from 1946 to 1955 and later sold to civilian operators.

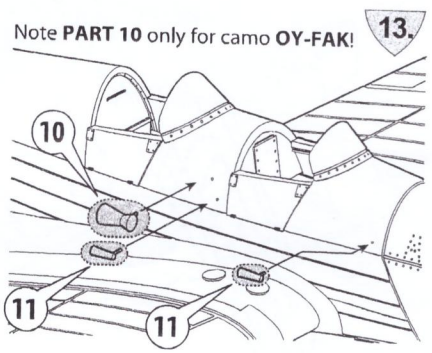
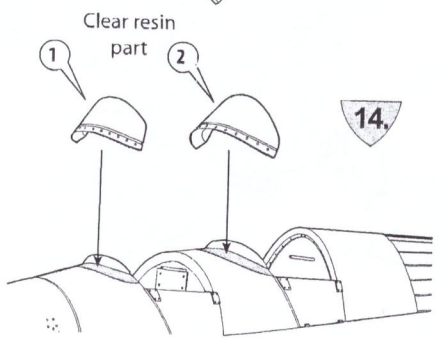
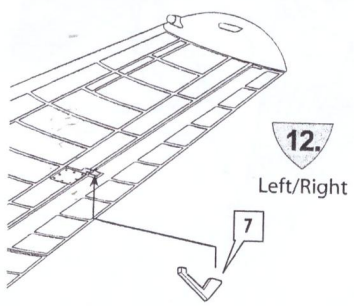
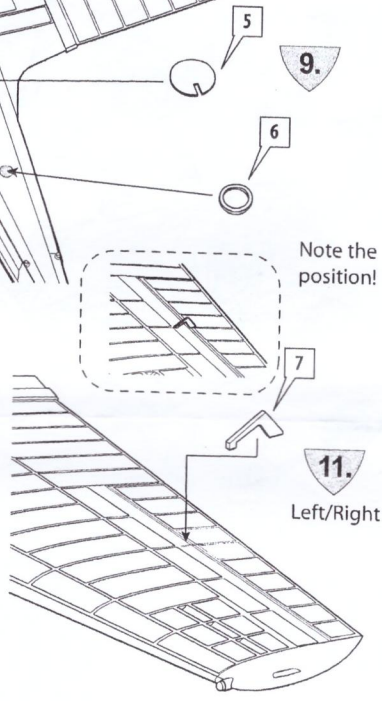
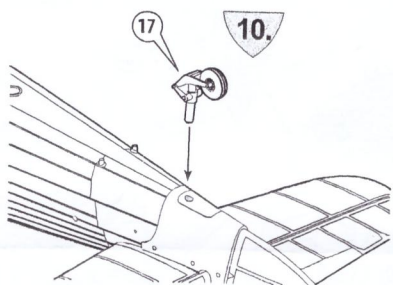
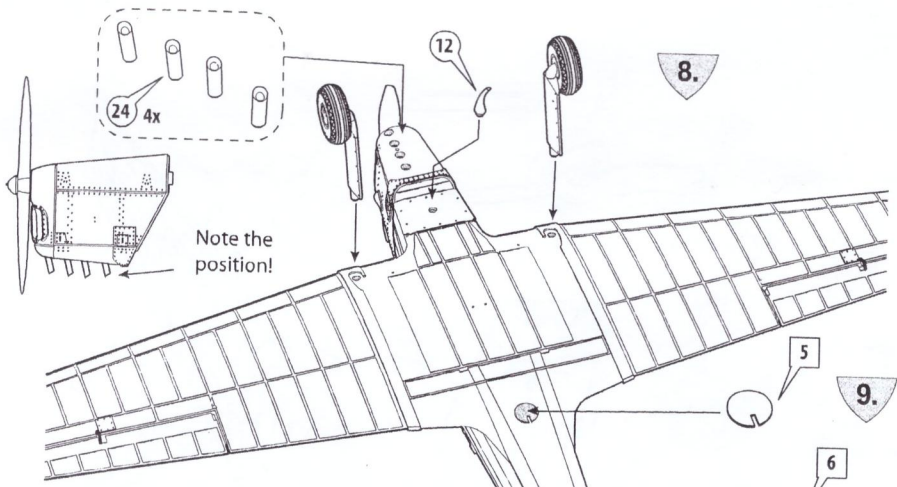
We would like to say a big thank you to Erik Gjørup Kristensen who helped us in realizing this kit.



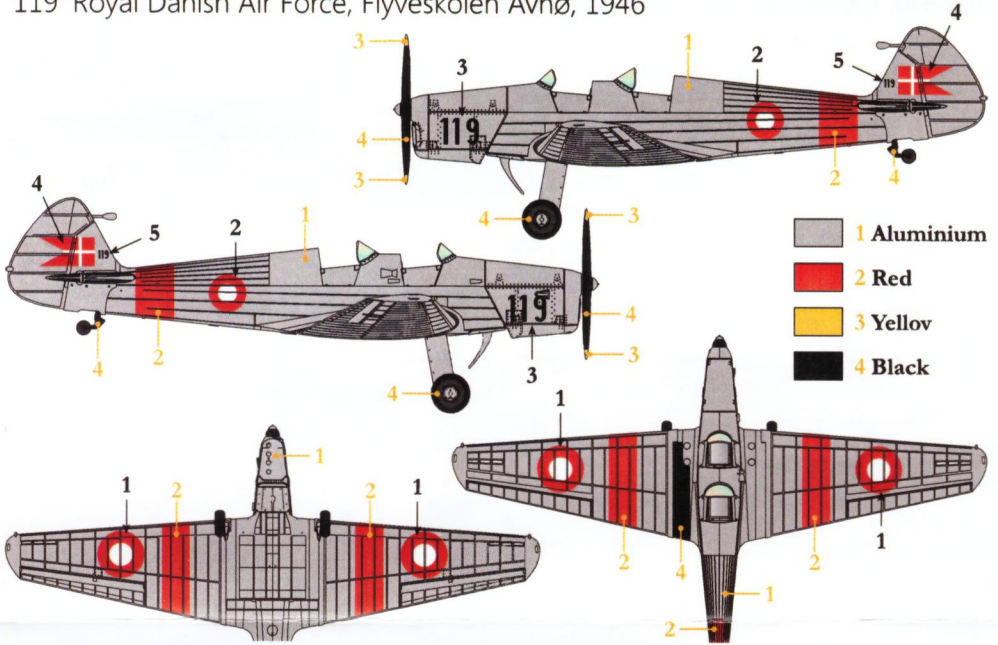




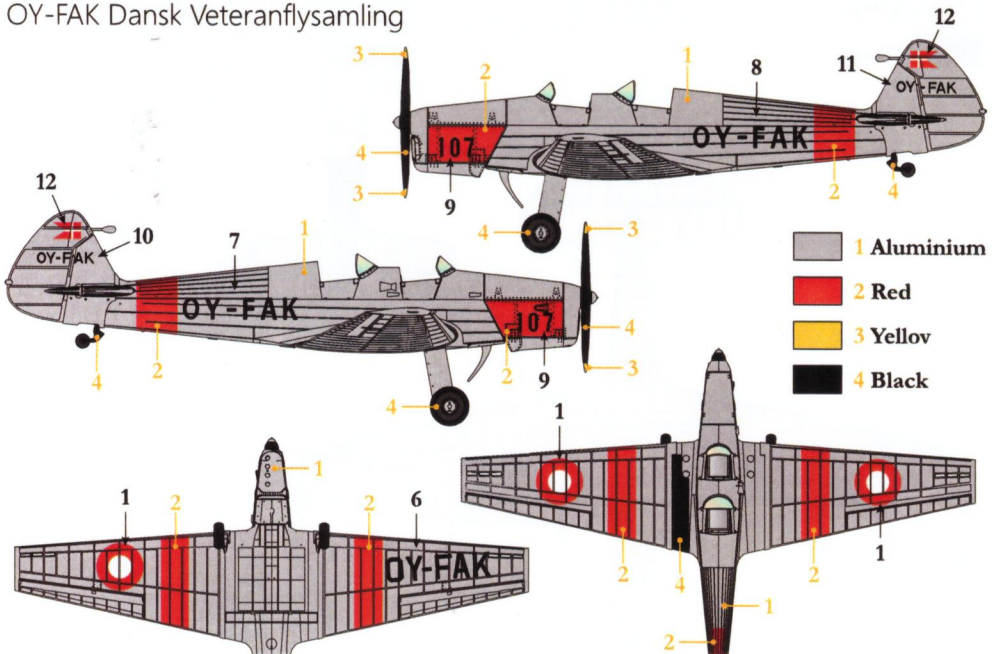




'119' Royal Danish Air Force, Flyveskolen Avnø, 1946



OY-FAK Dansk Veteranflysamling



OY-FAE Civilian register, Denmark, 1978

