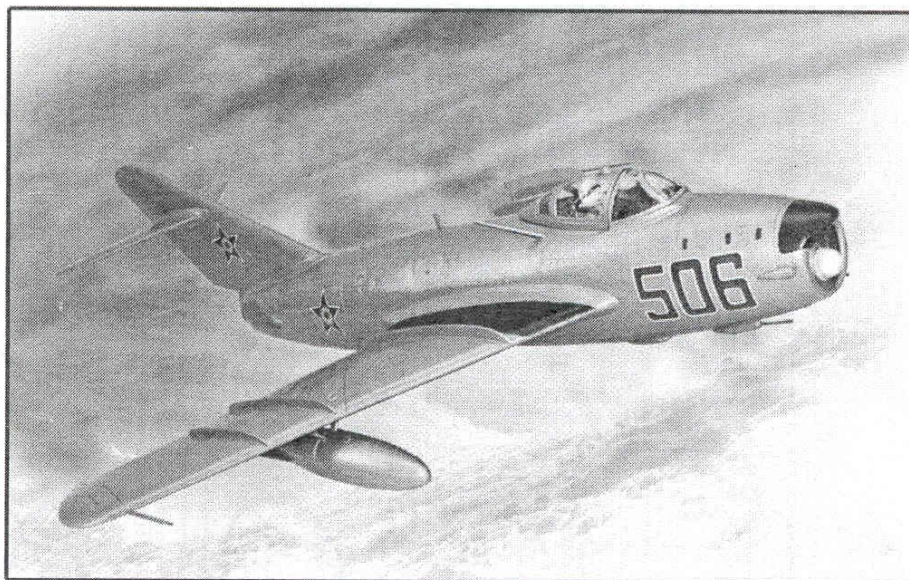
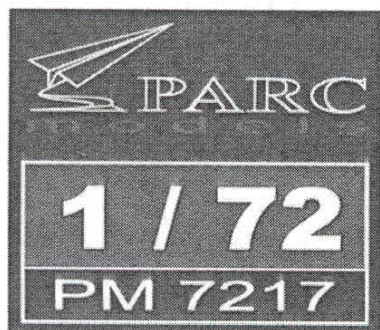


MiG-17PF Fresco D



MINI MODEL / MODEL KIT
lungime - 162mm - length
anvergura - 134mm - span
piese - 40 - parts

Mikoyan-Gurevich MiG-17 (name code NATO: Fresco) is a jet fighter aircraft produced in USSR serving since 1951. The success MiG-15 had contributed to its modernisation and that's how MiG-17 appeared. Between 1951 and 1969, 7999 aircrafts have been produced in USSR, and another 2825 in countries like Czech Republic, Poland and China. MiG-17 has been in service for over 40 countries, some of them being used in military conflicts.

Romania had 12 MiG-17F and 12 MiG-17PF aircrafts.

CARACTERISTICI TEHNICO-TACTICE:

echipaj - 1pilot, anvergura - 9,63 m, suprafata portanta - 22.6 mp, lungime - 11.26 m, inaltime - 3.8 m, greutate gol - 3919 kg, greutate maxima la decolare - 6069 kg, viteza maxima (la H=3000 m) - 1145 km/h, viteza ascensionala - 65 m/s (cu postcombustie), plafon de serviciu - 16600 m, distanta maxima de zbor (cu RS) - 2020 km, autonomie de zbor (fara RS) - 1.52 ore, motorizare - 1xKlimov VK-1F, tractiune (cu postcombustie) - 1x330 kgf, armament - 1 x N-37 (unitate de foc 40 proiectile), 2 x NS-23 (unitate de foc 2x80 proiectile), 500 kg incarcatura ofensiva (in locul RS)

Mikoyan-Gurevich Mig-17 (NATO codename: Fresco) is a high-subsonic fighter aircraft produced in USSR serving since 1951. The success MiG-15 had contributed to its modernisation and that's how MiG-17 appeared. Between 1951 and 1969, 7999 aircrafts have been produced in USSR, and another 2825 in countries like Czech Republic, Poland and China. MiG-17 has been in service for over 40 countries, some of them being used in military conflicts.

Romania had 12 MiG-17F and 12 MiG-17PF aircrafts.

GENERAL CHARACTERISTICS

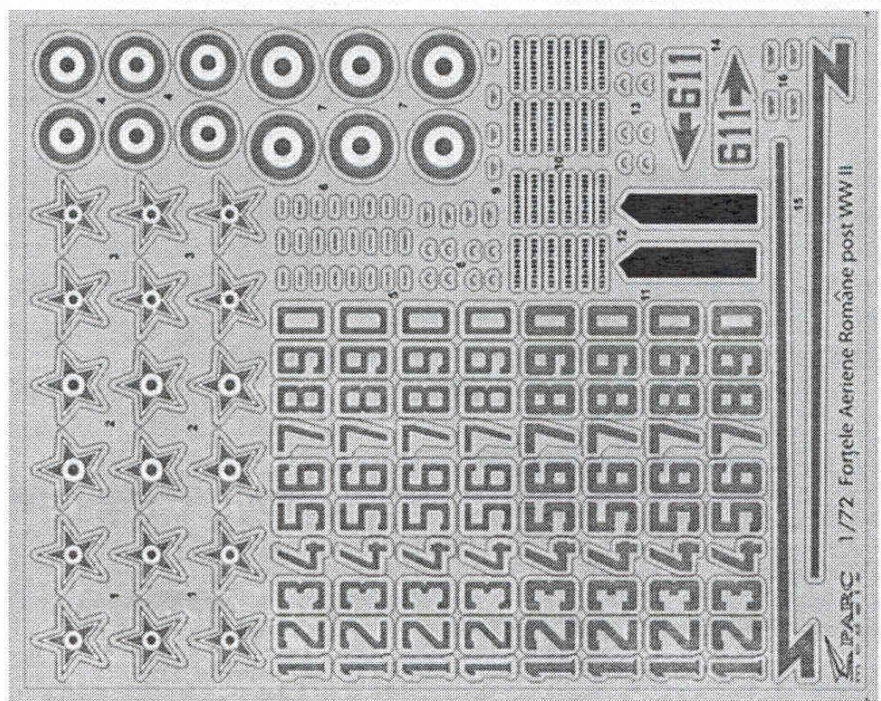
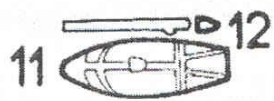
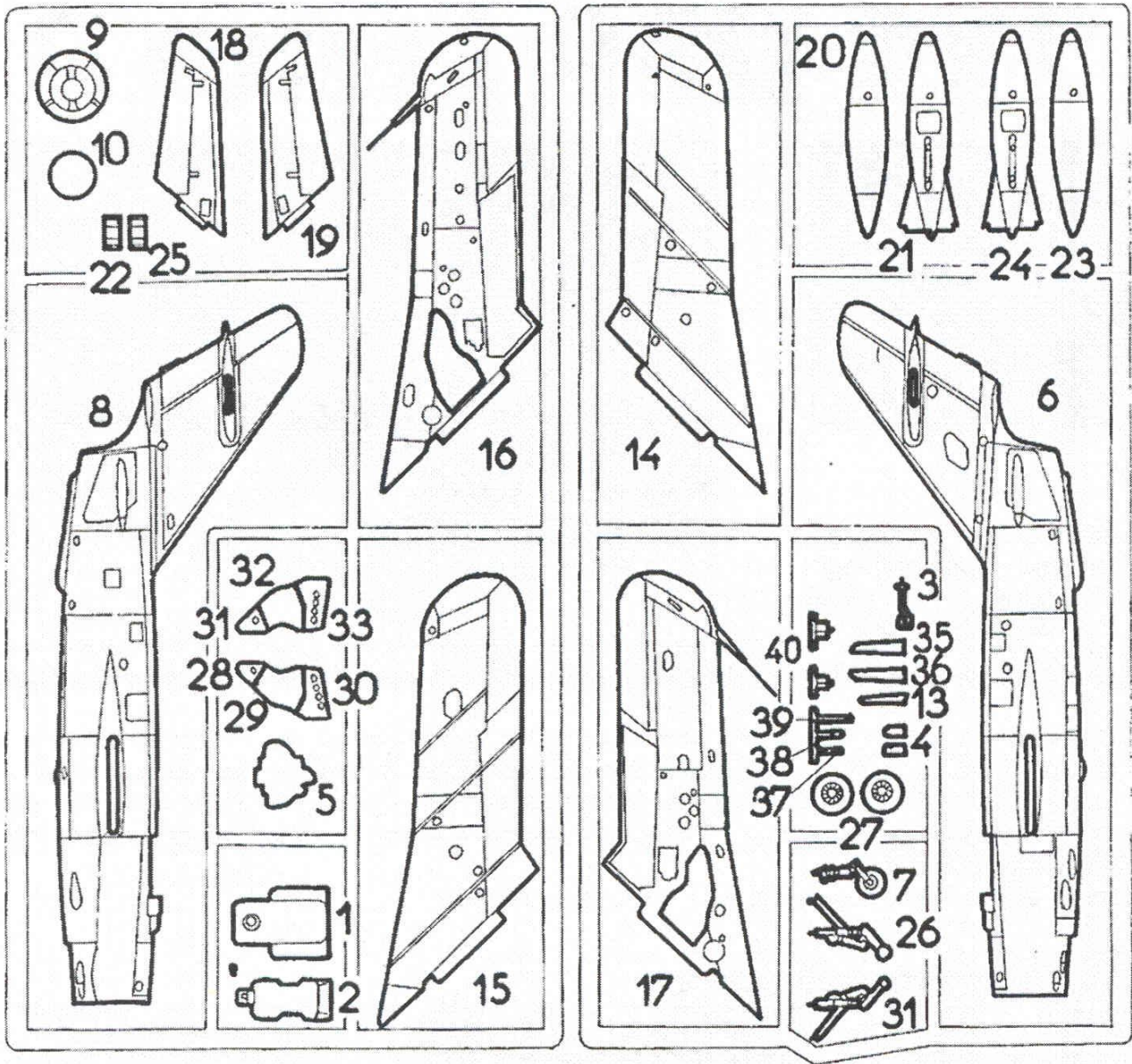
crew - one; length - 11.26 m; wingspan - 9.63 m; wing area - 22.6 m², empty weight - 3.919 kg, loaded weight - 5.350 kg; max. takeoff weight - 6.069 kg; powerplant - 1 x Klimov VK-1F afterburning turbojet;

PERFORMANCE

maximum speed - 1145 km/h at 3000m; range - 2060 km; service ceiling - 16600 m; rate of climb - 65 m/s; wing loading - 237 kg/m²; thrust/weight - 0.63

ARMAMENT

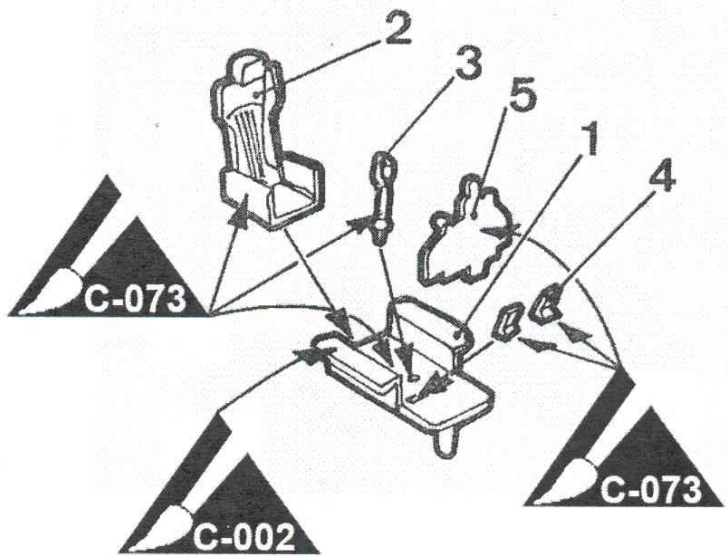
1 x 37mm Nudelman N-37 cannon (40 rounds total); 2 x 23 mm Nudelman-Rikhter NR-23 cannons (80 rounds per gun, 160 round total); Up to 500 kg of external stores on two pylons, including 100 kg and 250 kg bombs, unguided rockets or external fuel tanks; Some versions equipped with 3 x NR-23 cannons and 4 x K-13 missiles



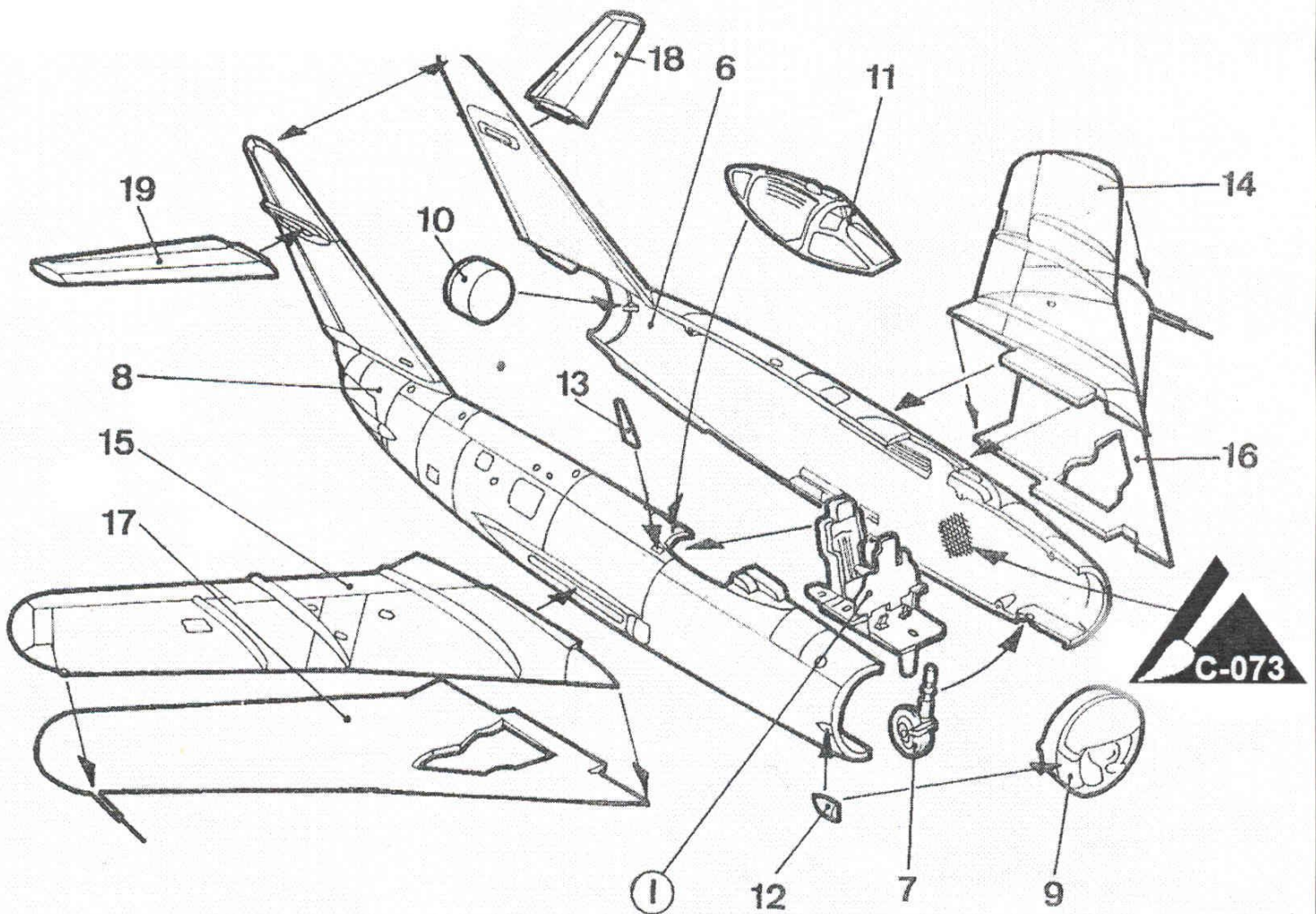
P.A.B.C. 1/72 Forțele Aeriene Române post WW II




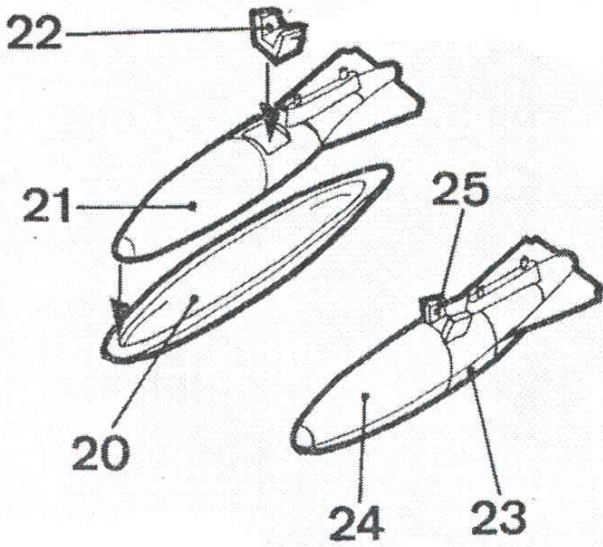
I 1+2+3+4+5




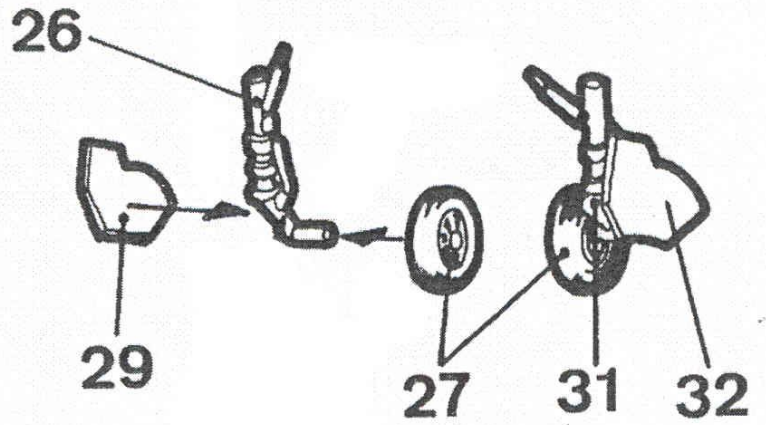
II 1+6+7+8+9+10+11+12+13+14+15+16+17+18+19




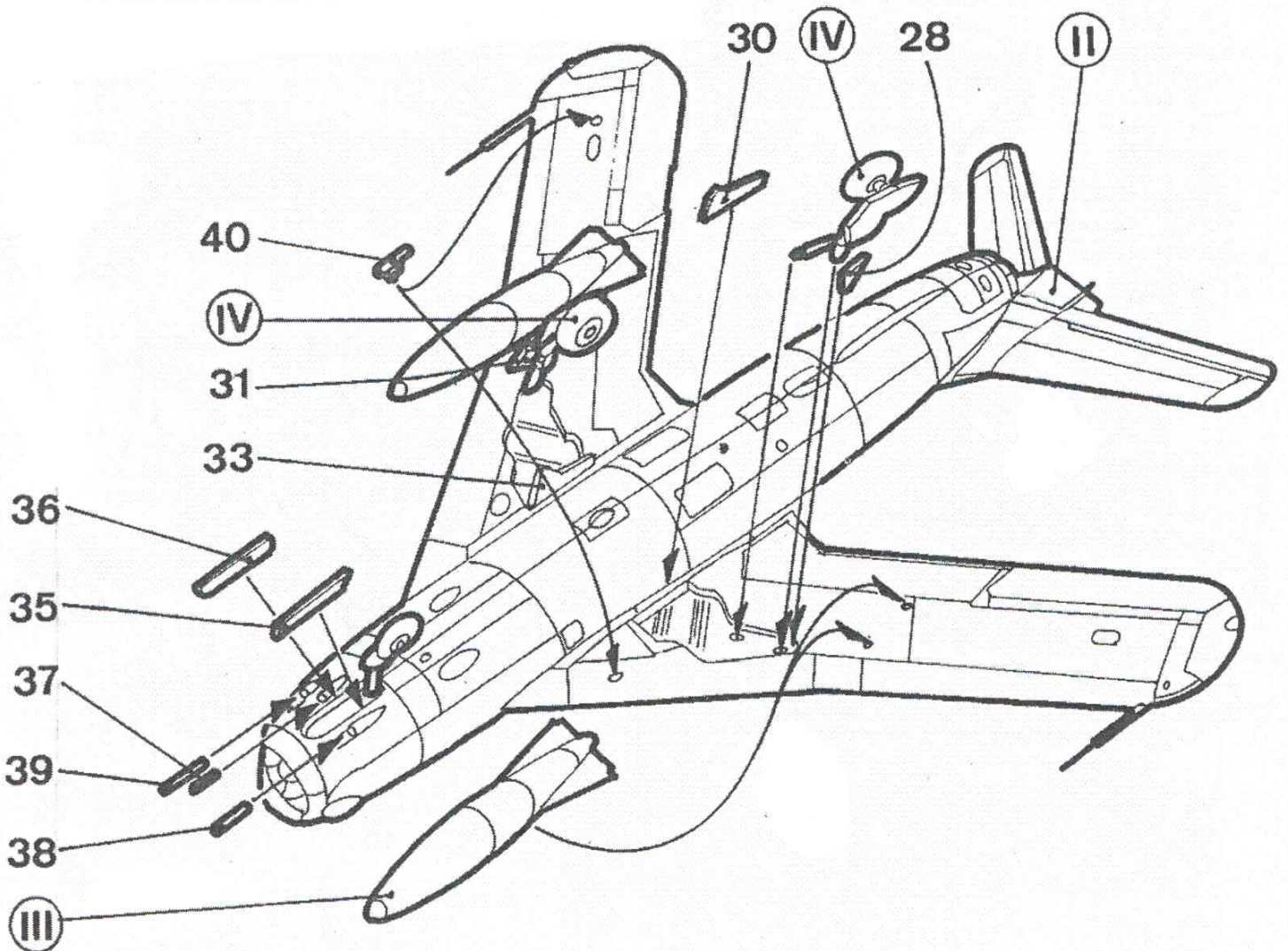
III  20+21+22+23+24+25



IV  26+27+29+32



V  II+III+IV+28+30+31+33+35+36+37+38+39

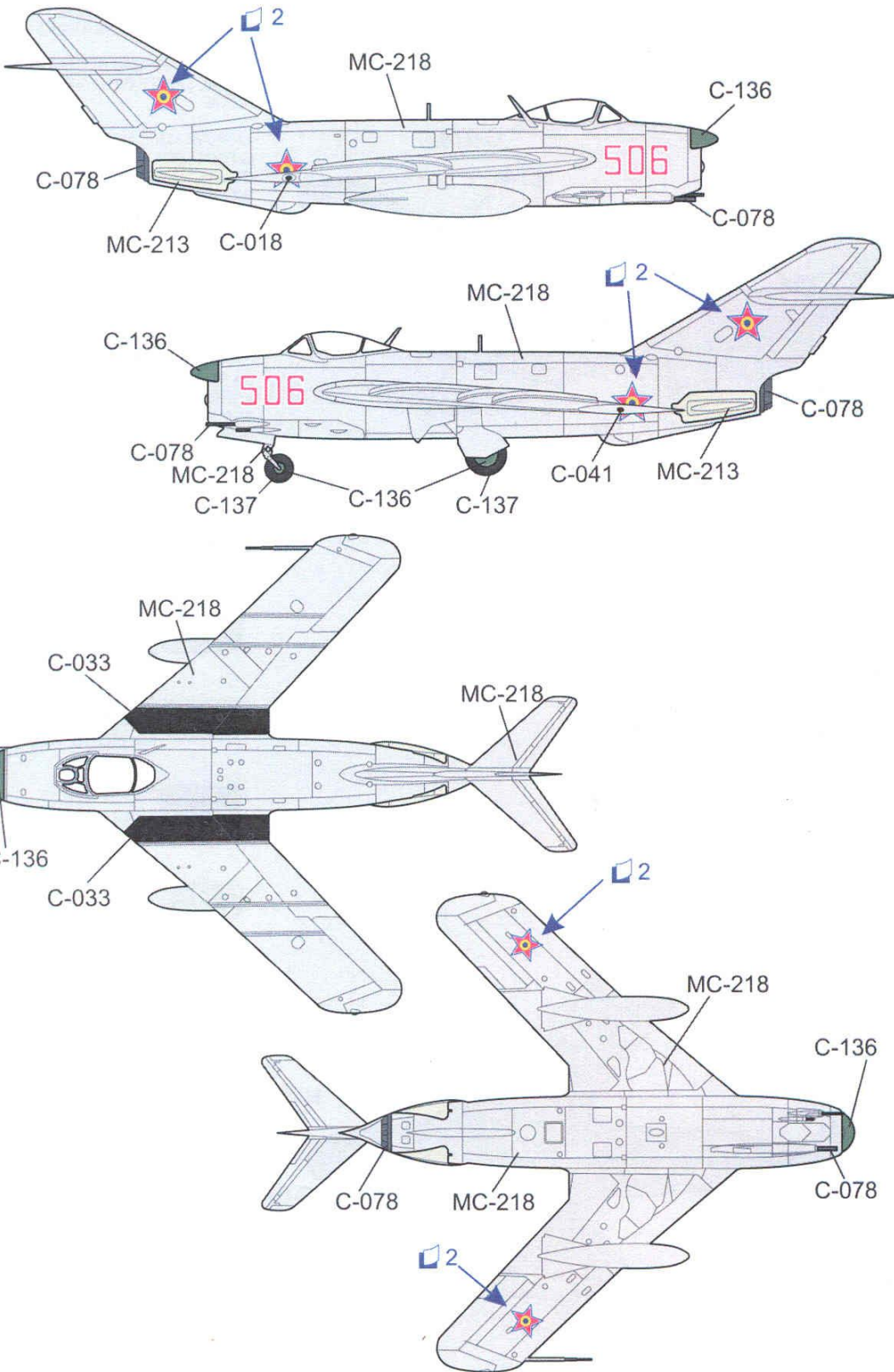


MiG-17PF

Painting guide: Socialist Republic of Romania, Air Force, 70's
 Schema de vopsire: Aviatia Militara a R.S.R., sfarsitul anilor '70



= DECAL



- TAIATI DECALUL DE PE COALA CU AJUTORUL UNUI CUTTER
 - CUT THE DECAL FROM THE DECAL SHEET WITH A HOBBY KNIFE

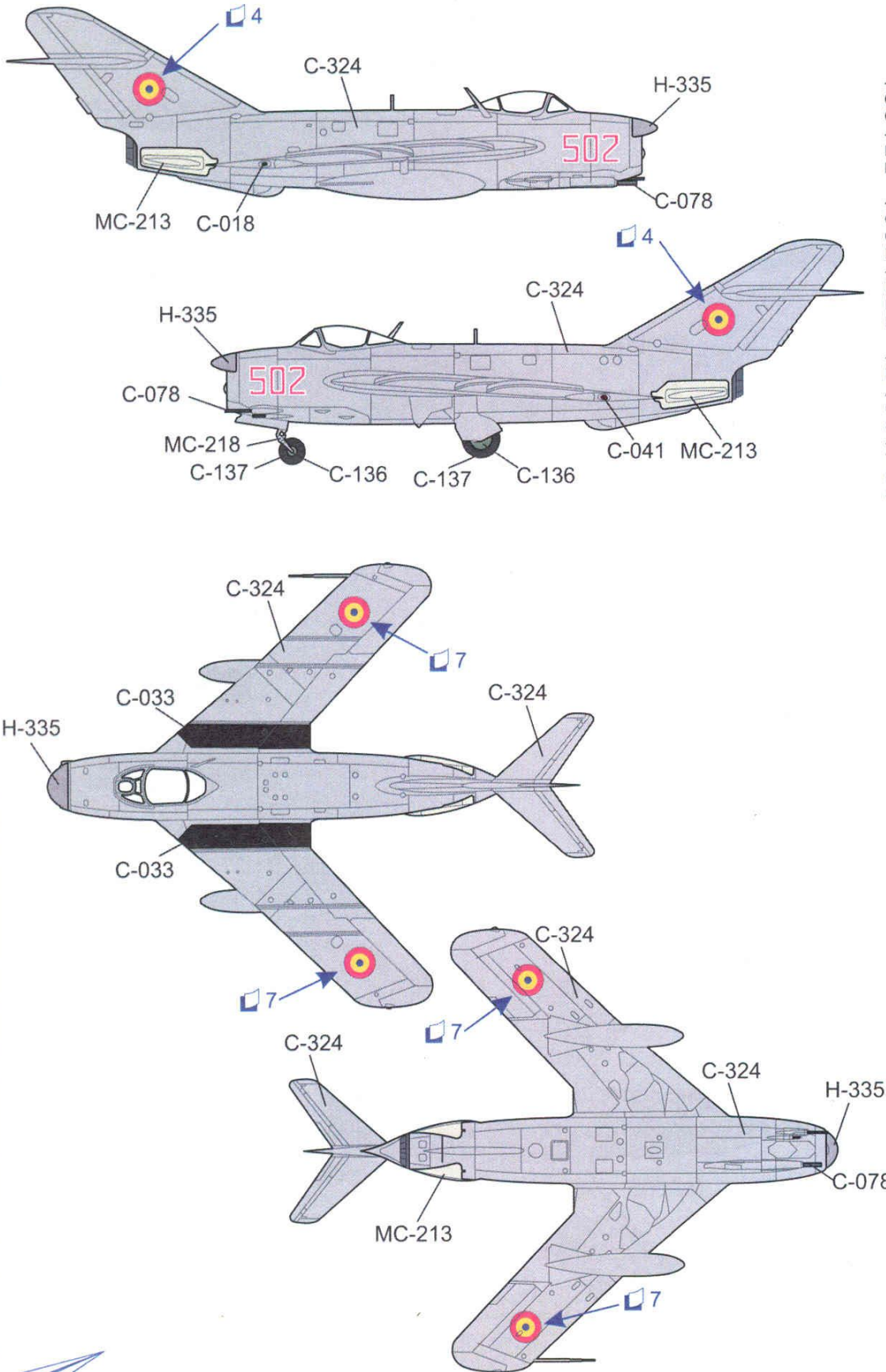
- ASEZATI DECALUL PE O FARTURIE, IN APA CALDA (35-40 GRADE), PANA INCEPE SA SE DESPRINDA
 - PUT THE DECAL ON A PLATE, IN WARM WATER (35-40 DEGREES), UNTIL IT STARTS TO PEEL OFF

- TRANSFERATI PRIN ALUNECARE DECALUL LA LOCUL INDICAT, AJUSTATI POZITIA DACA E NEVOIE CAT TIMP ESTE INCA UD. LASATI SA SE USUCE
 - SLIDE THE WET DECAL ONTO THE INDICATED PLACE. ADJUST POSITION IF NECESSARY WHILE STILL WET. LET IT DRY.

- Russian Green
Verde inchis
Mr. HOBBY C-136
- Matt black
Negru mat
Mr. HOBBY C-033
- Stainless steel
Otel Inox
Mr. HOBBY MC-213
- Red Brown
Maro roscat
Mr. Hobby C-041
- Black Green
Verde inchis
Mr. HOBBY C-018
- Aluminium
Aluminiu
Mr. Hobby MC-218
- Rubber
Cauciuc
Mr. Hobby C-137
- Gun metal
Otel brunat
Mr. HOBBY C-078

MiG-17PF

Painting guide: Socialist Republic of Romania, Air Force, late 80's
 Schema de vopsire: Aviatia Militara a R.S.R., sfarsitul anilor '80



☐ = DECAL

- TAIATI DECALUL DE PE COALA CU AJUTORUL UNUI CUTTER
 - CUT THE DECAL FROM THE DECAL SHEET WITH A HOBBY KNIFE

- ASEZATI DECALUL PE O FARFURIE , IN APA CALDA (35-40 GRADE), PANA INCEPE SA SE DESPRINDA
 - PUT THE DECAL ON A PLATE, IN WARM WATER (35-40 DEGREES), UNTIL IT STARTS TO PEEL OFF

- TRANSFERATI PRIN ALUNECARE DECALUL LA LOCUL INDICAT, AJUSTATI POZITIA DACA E NEVOIE CAT TIMP ESTE INCA UD. LASATI SA SE USUCE
 - SLIDE THE WET DECAL ONTO THE INDICATED PLACE. ADJUST POSITION IF NECESSARY WHILE STILL WET. LET IT DRY.

-  Russian Green
Verde inchis
Mr. HOBBY C-136
-  Matt black
Negru mat
Mr. HOBBY C-033
-  Stainless steel
Otel Inox
Mr. HOBBY MC-213
-  Red Brown
Maro roscat
Mr. Hobby C-041
-  Black Green
Verde inchis
Mr. HOBBY C-018
-  Aluminium
Aluminiu
Mr. Hobby MC-218
-  Rubber
Cauciuc
Mr. Hobby C-137
-  Gun metal
Otel brunat
Mr. HOBBY C-078
-  Light Gray
Gri deschis
Mr. HOBBY C-324
-  Medium Gray
Gri
Mr. HOBBY H-335