



AUTOCAR DC-9964B

Dump Truck

With MONOTONE "Ultra Strength" Heated Body

READ THIS BEFORE YOU BEGIN
Cement all parts unless otherwise indicated.

Look over this Instruction Sheet carefully before you begin building. Follow the assembly instructions and "TEST-FIT" the parts without cementing. This will familiarize you with the location of the parts.

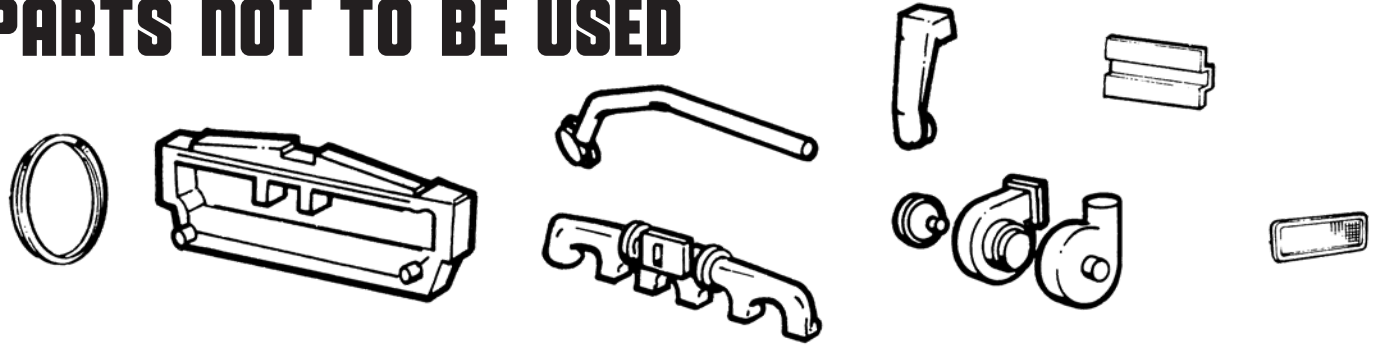
For the best results, the various sub-assemblies and components should be painted before any "chrome" parts are attached. For example: When attaching "non-chrome" engine parts, it is best to cement them in place and paint as a unit.

AMT kits are molded from the finest high-impact Styrene plastic. Use only paint and

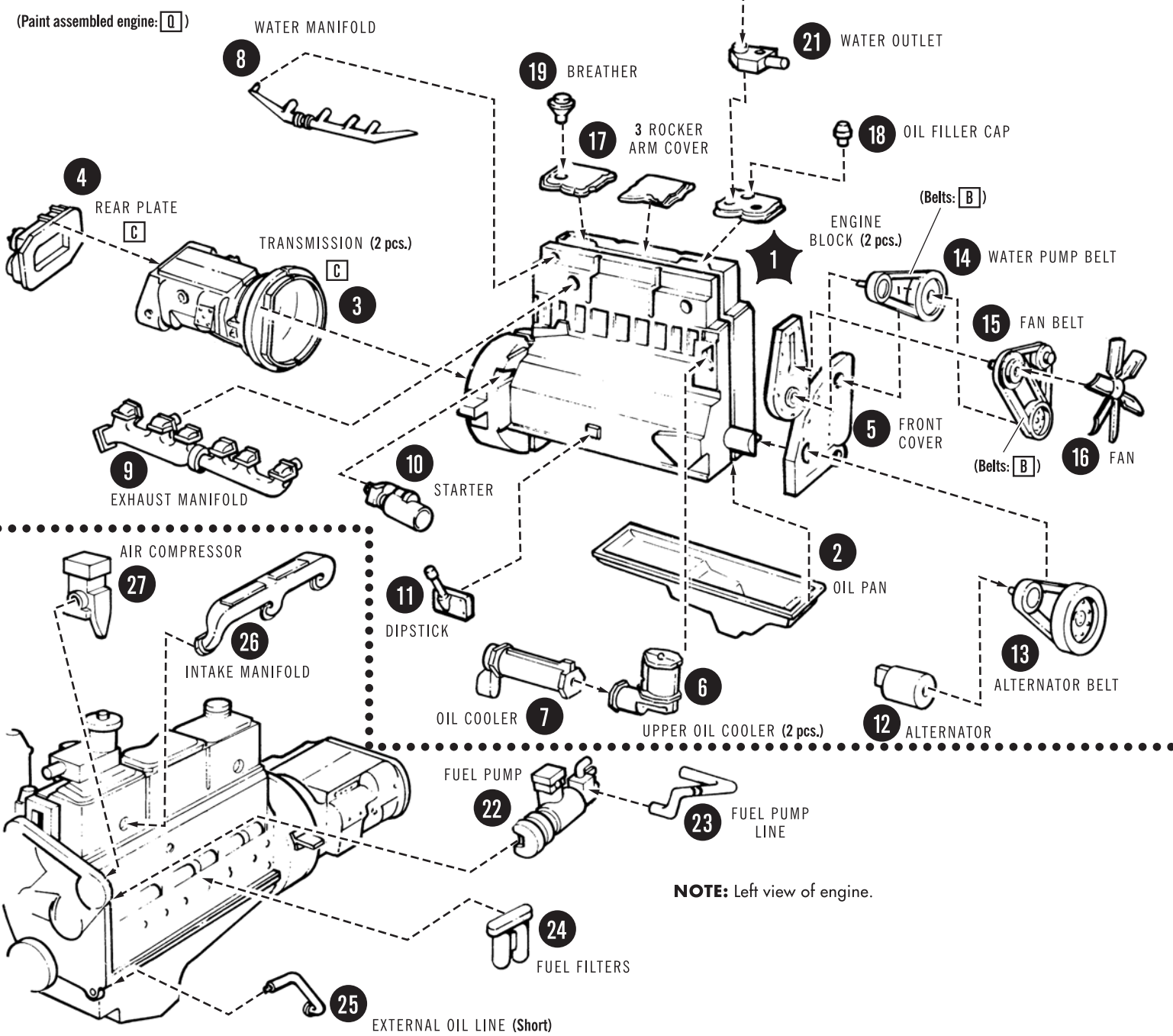
cement made for Styrene. Trim excess plastic from parts before joining. When attaching "chrome" or painted parts, scrape plating or paint away where parts are joined. Use just enough cement to join parts, and be careful not to smear cement on exposed surfaces.

Built according to the instructions on this sheet, you should have no trouble assembling your model. Just FOLLOW THE NUMBERS as the instructions are numbered in the order of assembly. (C) INDICATES "CHROME" PARTS.

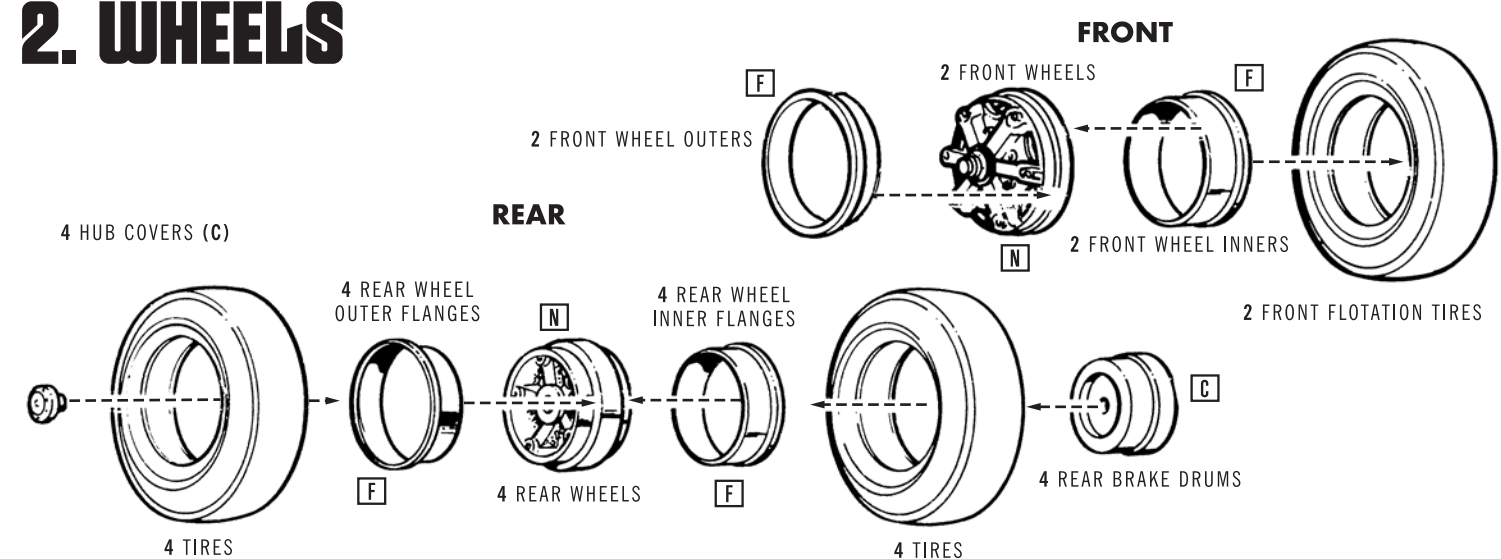
PARTS NOT TO BE USED



1. ENGINE 1 - 27

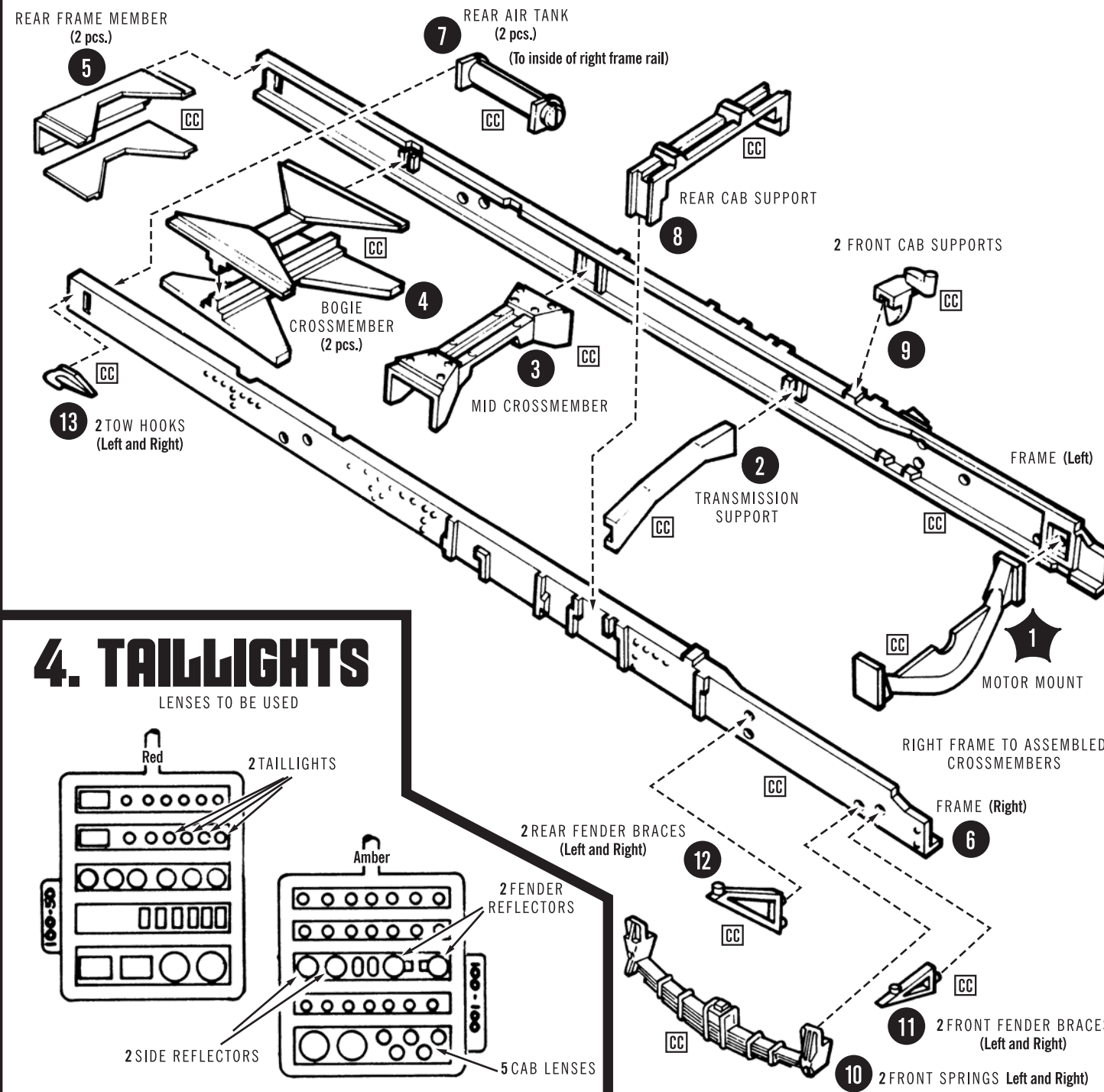


2. WHEELS



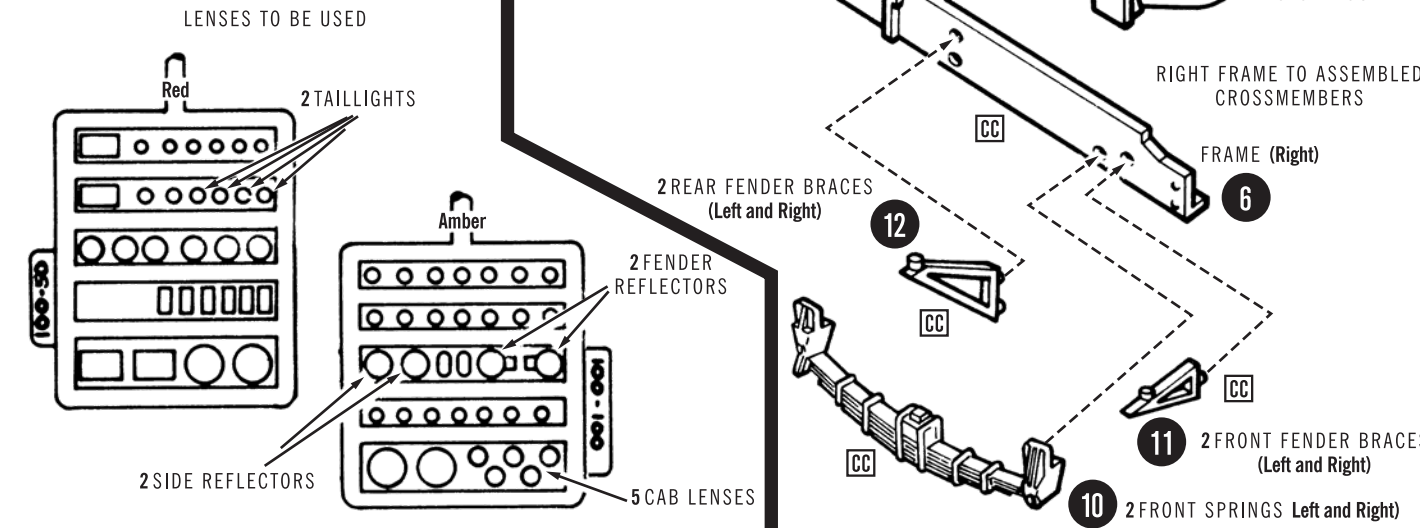
3. BASIC CHASSIS 1 - 13

NOTE: Cement all crossmembers to left frame rail



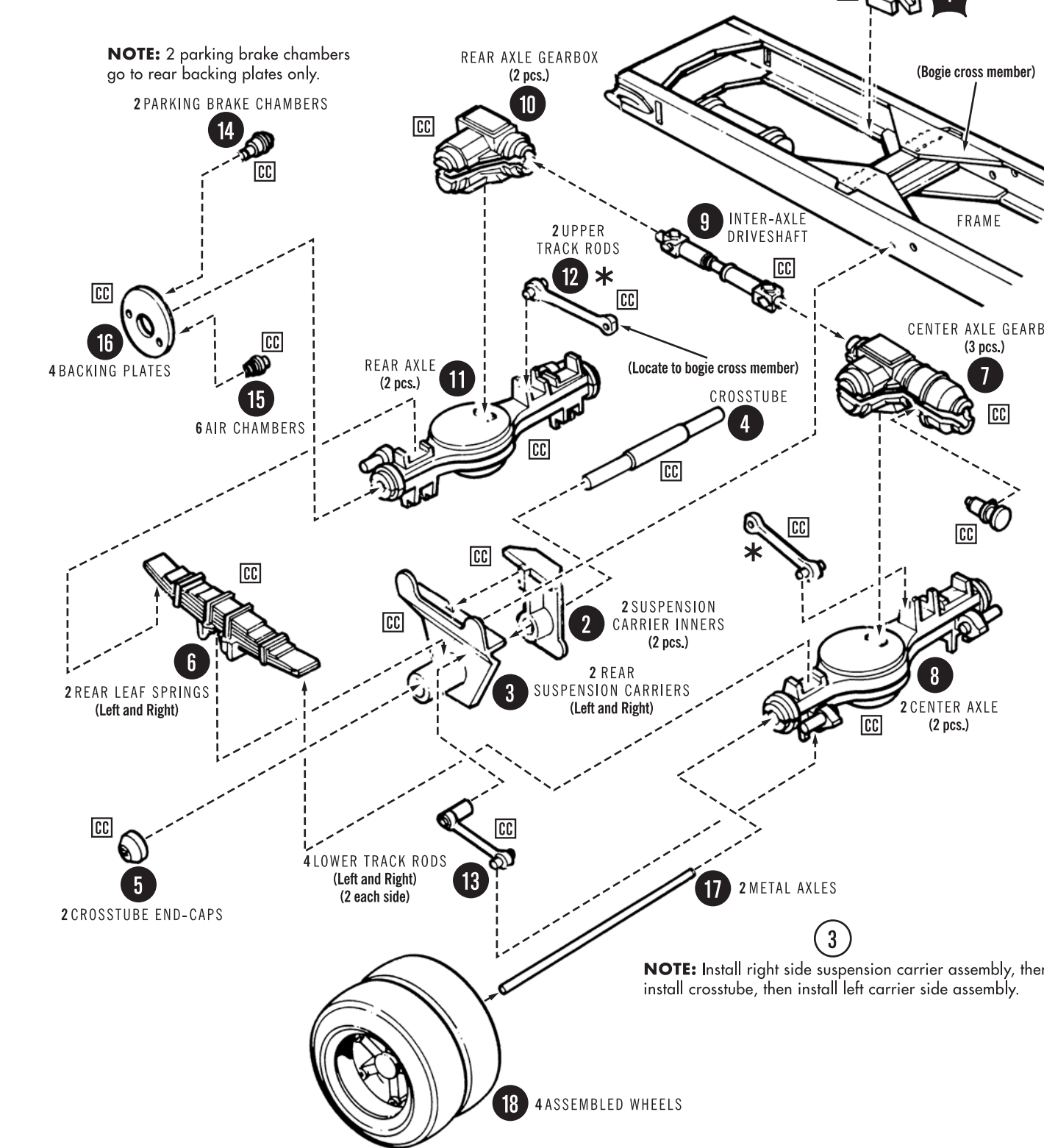
NOTE: Paint assembled chassis with suspension, axles, battery boxes as one color. Paint [A] for box art. Other colors optional.

4. TAILLIGHTS



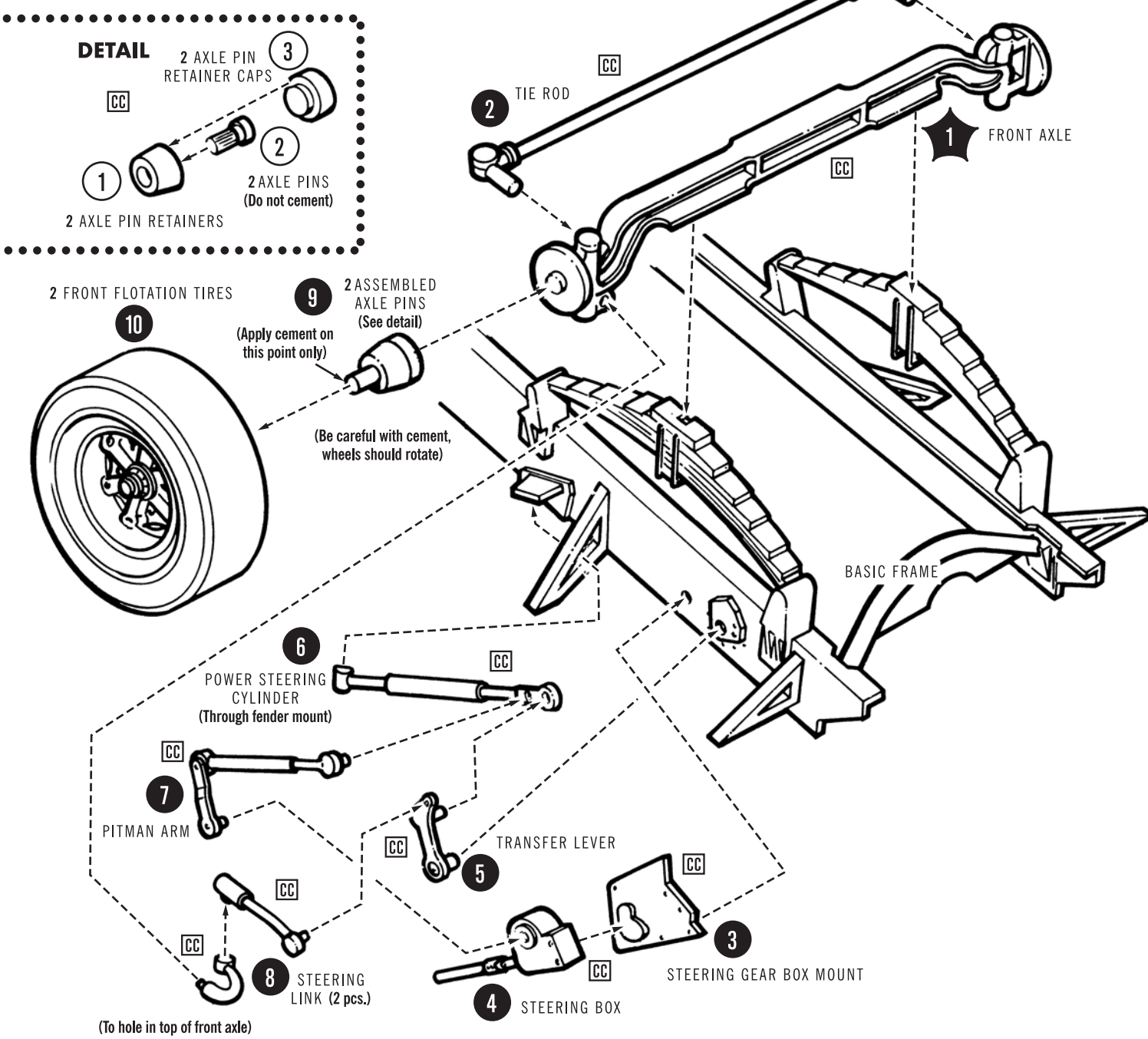
5. SPRINGS AND REAR AXLE 1 - 18

NOTE: 2 parking brake chambers go to rear backing plates only.

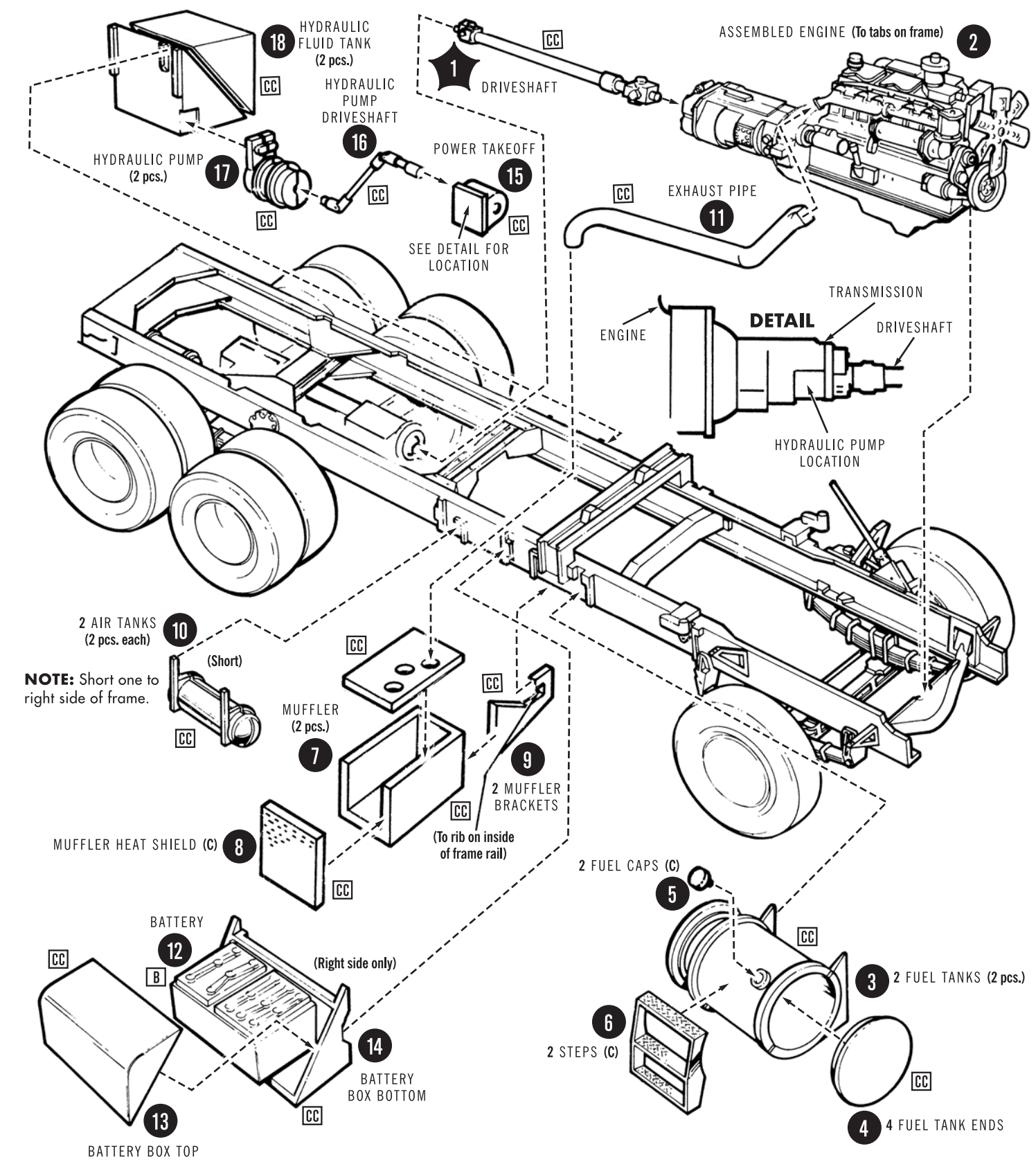


6. FRONT AXLE 1 - 10

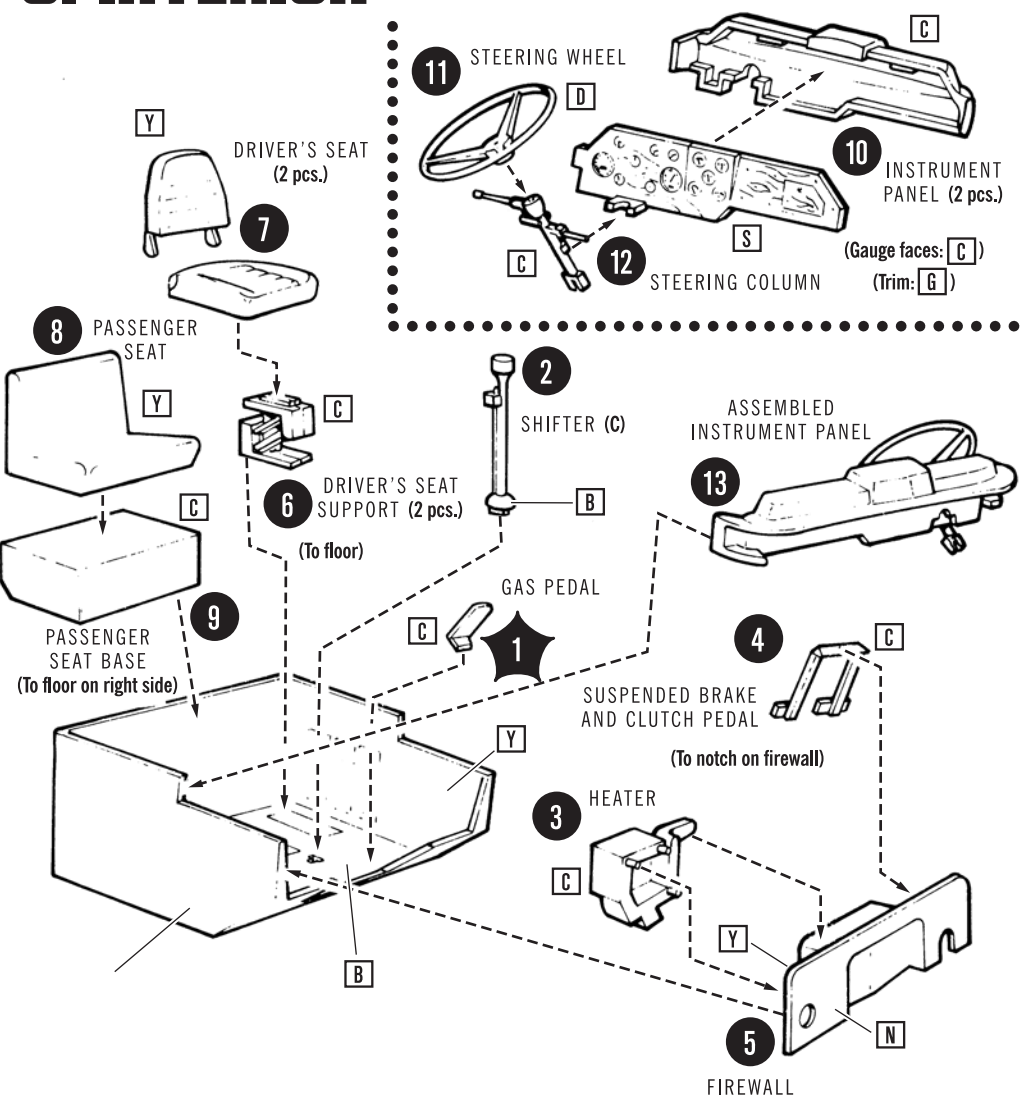
NOTE: Shown upside down.



7. CHASSIS ACCESSORIES 1 - 18

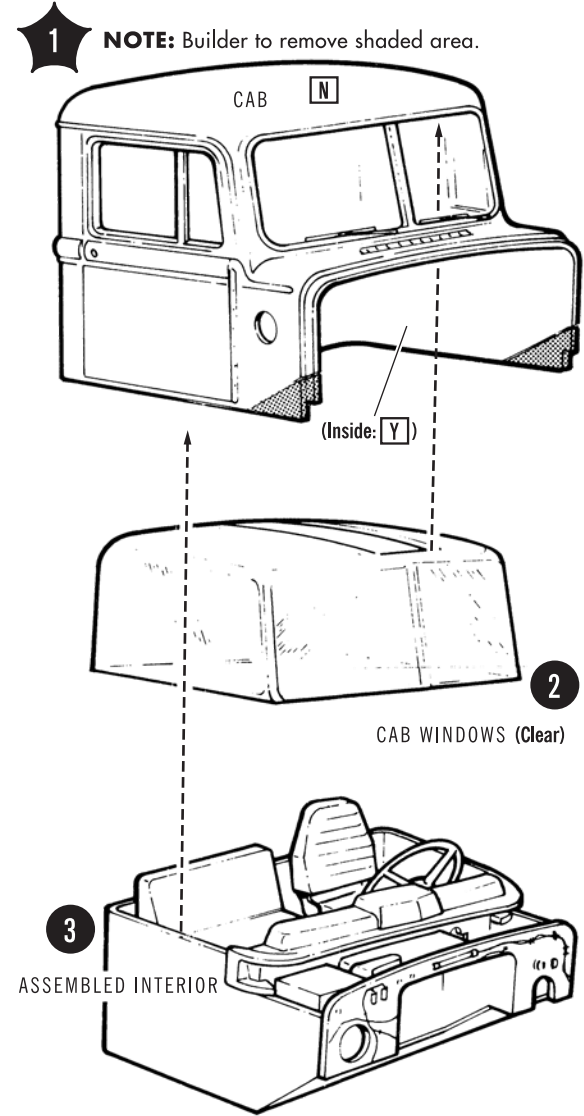


8. INTERIOR 1-13

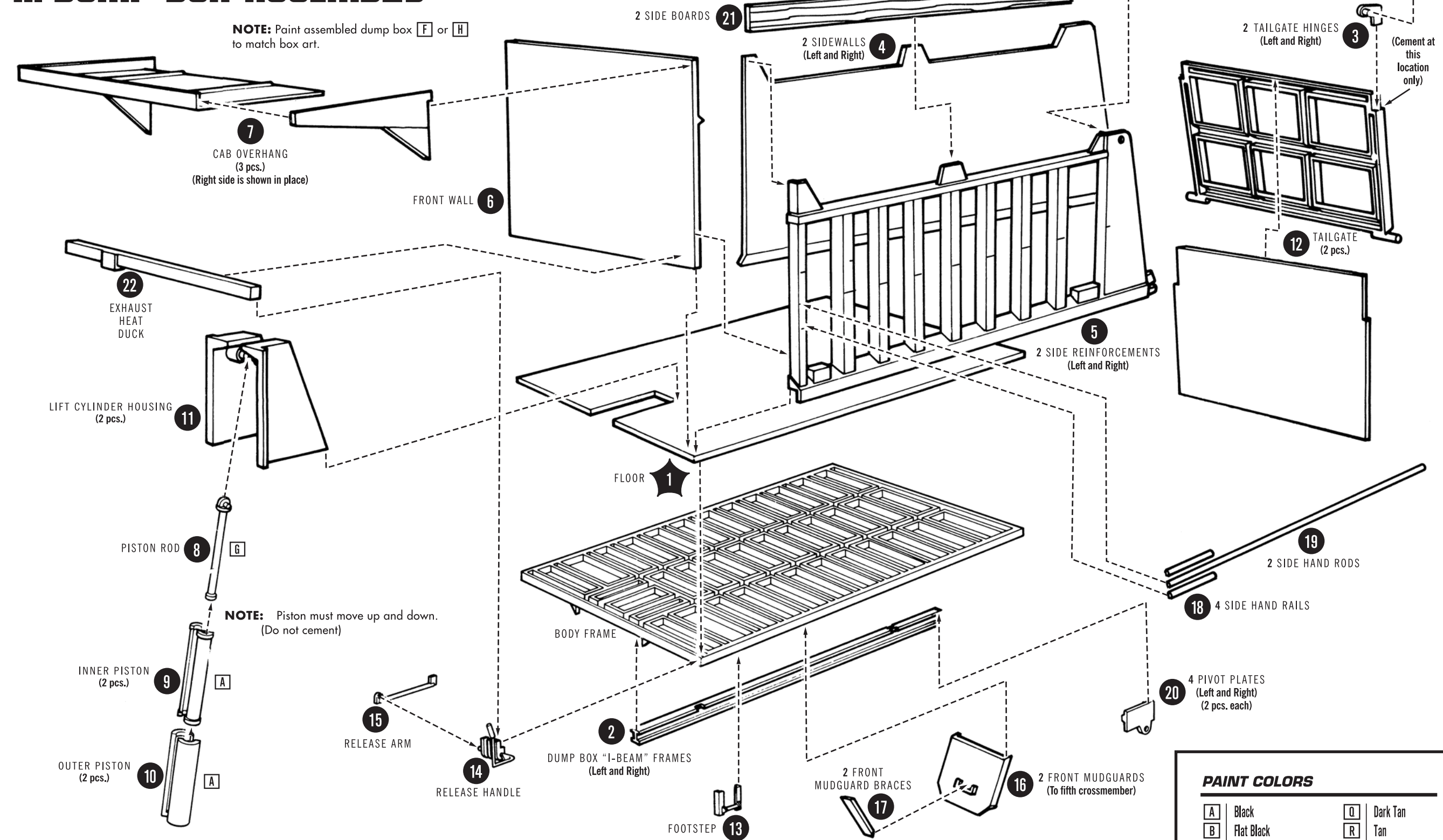


9. WINDOWS 1-3

INTERIOR TO CAB



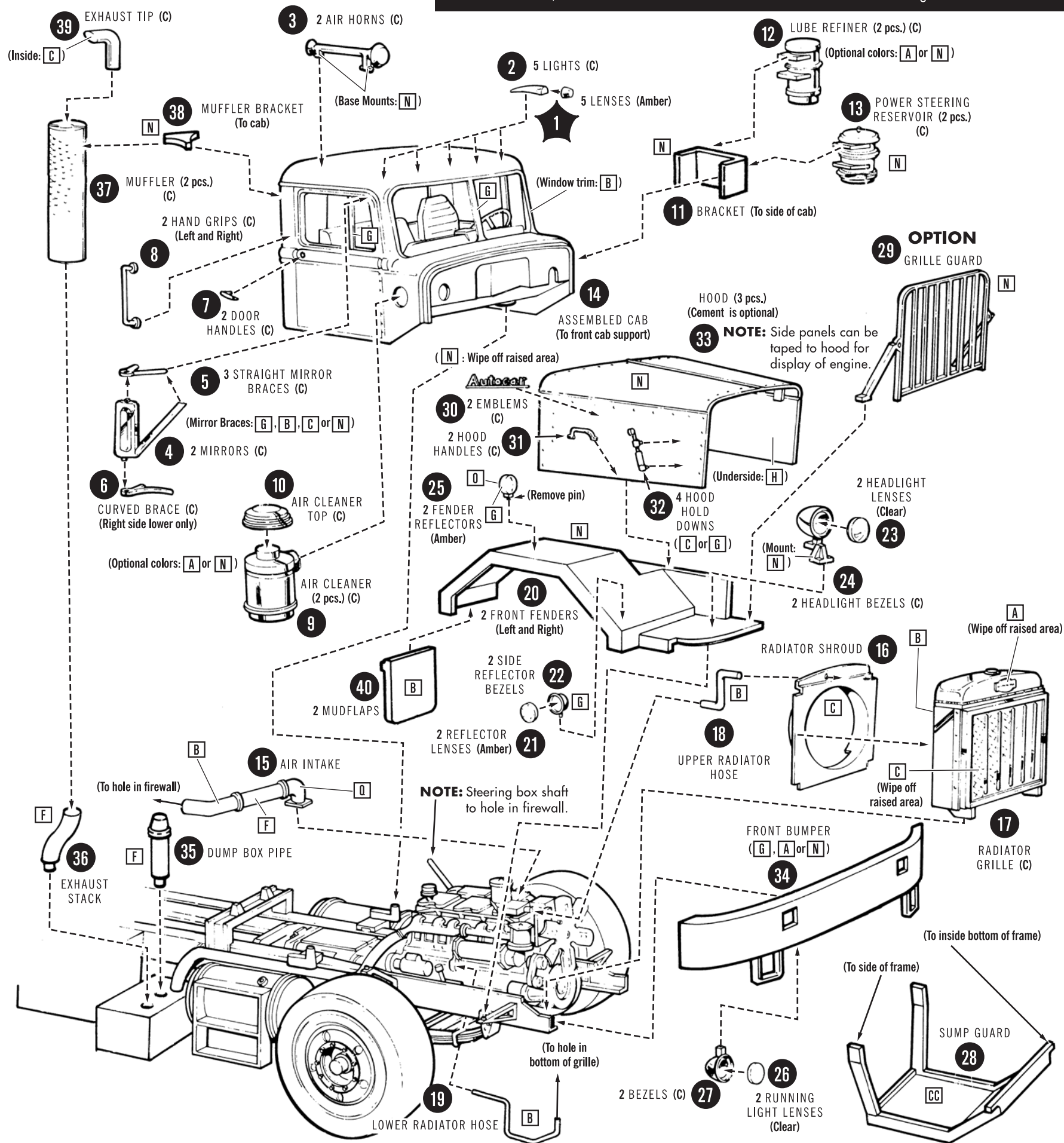
11. DUMP BOX ASSEMBLY 1-22



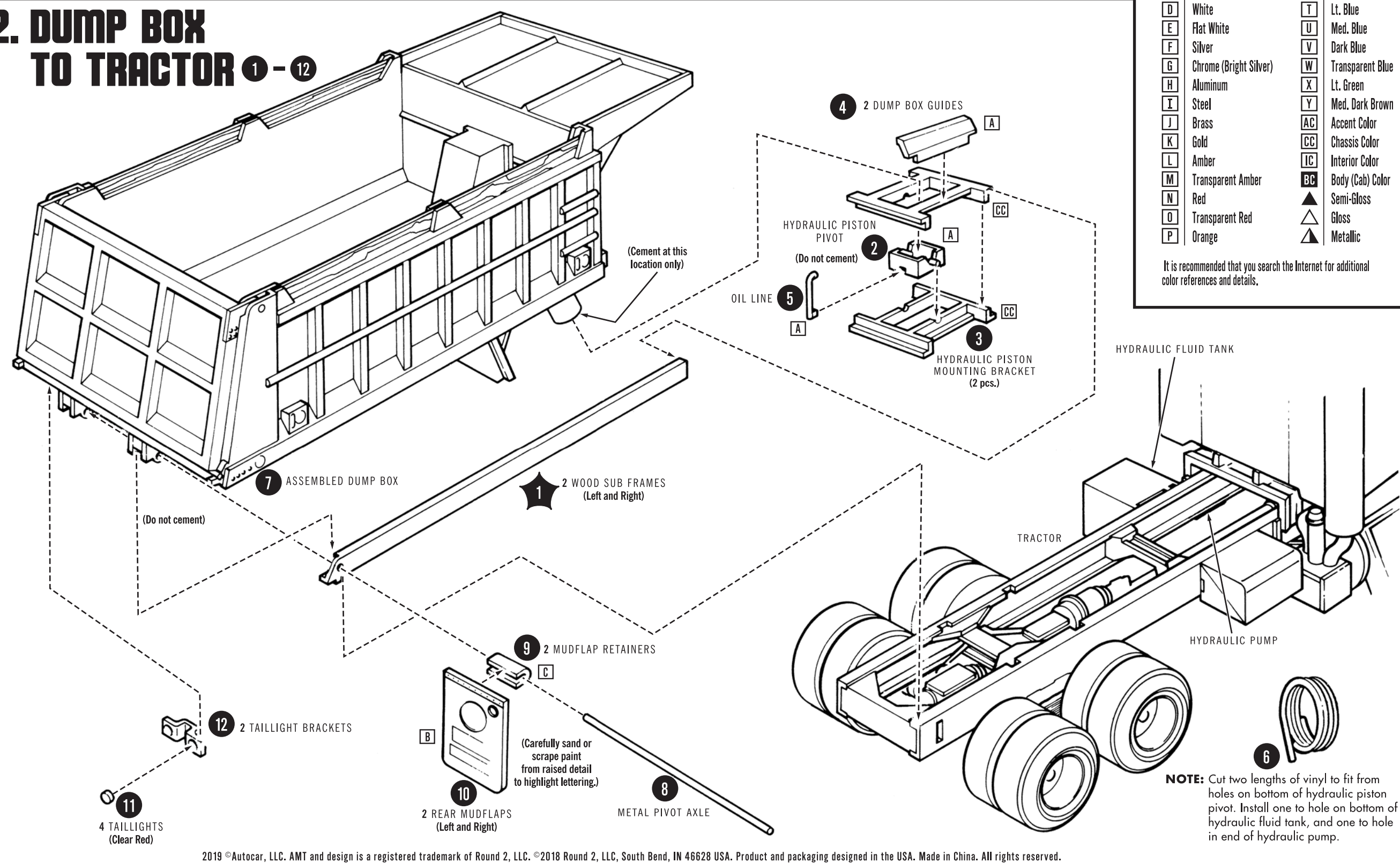
10. FINAL ASSEMBLIES 1-40

CAB ACCESSORIES

NOTE: Test fit cab, hood, fenders and radiator—Trim the cab supports as needed to ensure the cab sits level with the hood, the hood fits with the radiator and the fenders sit level and straight on the fender braces.



12. DUMP BOX TO TRACTOR 1-12



PAINT COLORS			
A	Black	O	Dark Tan
B	Flat Black	R	Tan
C	Semi-Gloss Black	S	Wood Grain Brown
D	White	T	Lt. Blue
E	Flat White	U	Med. Blue
F	Silver	V	Dark Blue
G	Chrome (Bright Silver)	W	Transparent Blue
H	Aluminum	X	Lt. Green
I	Steel	Y	Med. Dark Brown
J	Brass	AC	Accent Color
K	Gold	CC	Chassis Color
L	Amber	CC	Interior Color
M	Transparent Amber	CC	Body (Cab) Color
N	Red	CC	Semi-Gloss
O	Transparent Red	CC	Gloss
P	Orange	CC	Metallic

It is recommended that you search the Internet for additional color references and details.