



## Spitfire Mk.Vc

ATTENTION



UPOZORNĚNÍ



ACHTUNG



ATTENTION

- GB** Carefully read instruction sheet before assembling. When you use glue or paint, do not use near open flame and use in well ventilated room. Keep out of reach of small children. Children must not be allowed to suck any part, or pull vinyl bag over the head.
- CZ** Před započatím stavby si pečlivě prostudujte stavební návod. Při používání barev a lepidel pracujte v dobře větrané místnosti. Lepidla ani barvy nepoužívejte v blízkosti otevřeného ohně. Model není určen malým dětem, mohlo by dojít k požití drobných dílů.
- D** Von dem Zusammensetzen die Bauanleitung gut durchlesen. Kleber und Farbe nicht nahe von offenem Feuer verwenden und das Fenster von Zeit zu Zeit Belüftung öffnen. Bausatz von kleinen Kindern fernhalten. Verhüten Sie, daß Kinder irgendwelche Bauteile in den Mund nehmen oder Plastiktüten über den Kopf ziehen.
- F** lire soigneusement la fiche d'instructions avant d'assembler. Ne pas utiliser de colle ou de peinture à proximité d'une flamme nue, et aérer la pièce de temps en temps. Garder hors de portée des enfants en bas âge. Ne pas laisser les enfants mettre en bouche ou sucer les pièces, ou passer un sachet vinyl sur la tête.
- JP** 組み立てる前に必ず説明書をお読み下さい。接着剤や塗料をご使用の際は、窓を開けて十分な換気をおこない、火のそばでは使用しないで下さい。小さな子供の手の届かない所に必ず保管してください。部品や破片を噛んだり、なめたり、飲んだりすると大変危険です。又、部品を取り出した後のビニール袋は、小さな子供が頭から被ったりすると窒息する恐れがありますので、破り捨てて下さい。

INSTRUKTION SIGNS



INSTR. SYMBOLY



INSTRUKTION SINNBILDEN



SYMBOLES



OPTIONAL  
FACULTATIF  
NACH BELIEBEN  
VOLBA



BEND  
PLIER SIL VOUS PLAIT  
BITTE BIEGEN  
OHNOUT



OPEN HOLE  
FAIRE UN TROU  
OFFNEN  
VYVRTAT OTVOR



SYMETRICAL ASSEMBLY  
MONTAGE SYMÉTRIQUE  
SYMMETRISCHE AUFBAU  
SYMETRICKÁ MONTÁŽ



NOTCH  
L INCISION  
DER EINSCHNITT  
ZÁŘEZ



REMOVE  
RETIRER  
ENTFERNEN  
ODŘÍZNOUT



APPLY EXPRESS MASK  
AND PAINT BEFORE  
GLUING  
POUŽÍT EXPRESS MASK  
NABARVIT PŘED SLEPENÍM



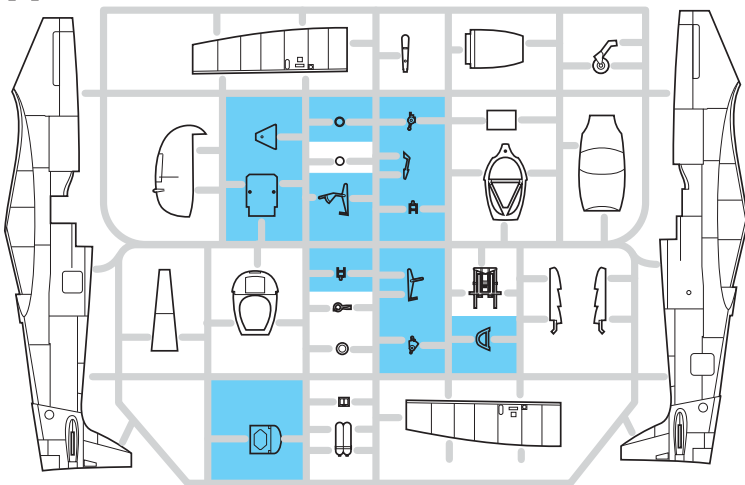
GUNZE		
AQUEOUS	Mr.COLOR	
H 2	2	BLACK
H 3	3	RED
H 4	4	YELLOW
H 11	62	FLAT WHITE
H 12	33	BLACK
H 18	28	STEEL
H 47	41	RED BROWN
H 71	21	MIDDLE STONE
H 77	137	TIRE BLACK
H 314	314	LIGHT BLUE

GUNZE		
AQUEOUS	Mr.COLOR	
H 334	334	BARLEY GRAY
H 344		RUST
	361	DARK GREEN
	362	OCEAN GRAY
	363	MEDIUM SEA GRAY
	368	SKY
	369	DARK EARTH
	370	AZURE BLUE
Mr.COLOR SUPER METALLIC		
SM06		CHROME SILVER

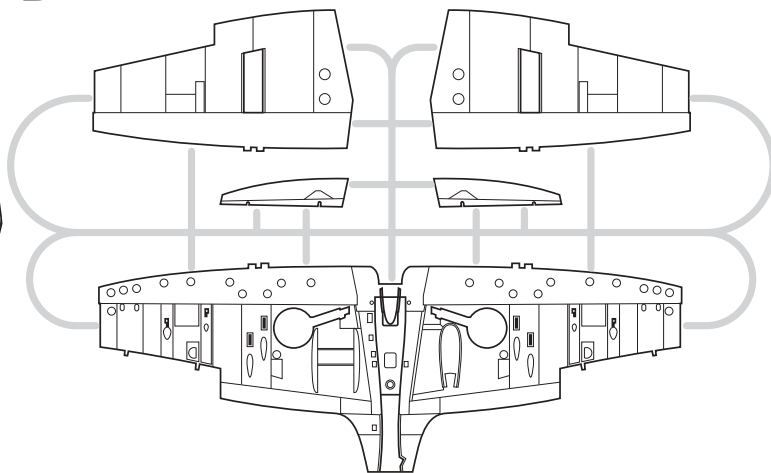


PP - PLASTIC PARTS

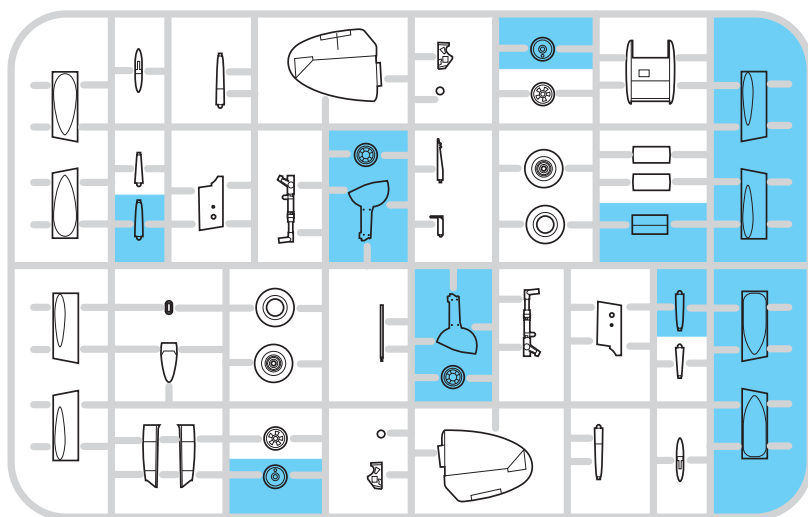
A>



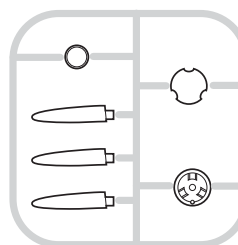
B>



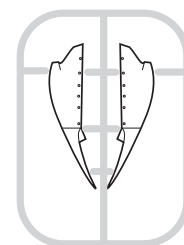
C>



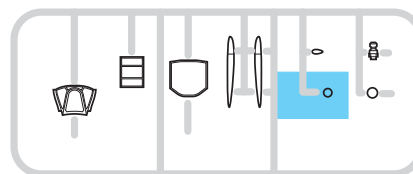
D>



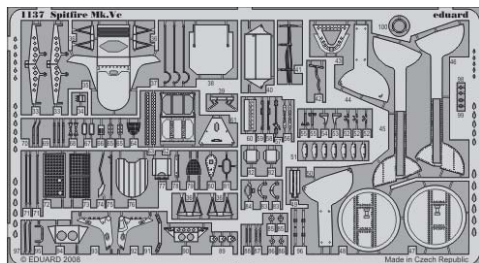
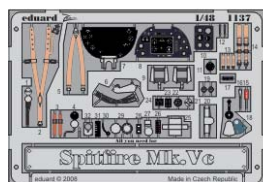
G>



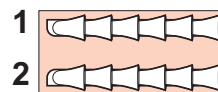
K>



PE - PHOTO ETCHED DETAIL PARTS

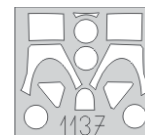


RP - RESIN PARTS

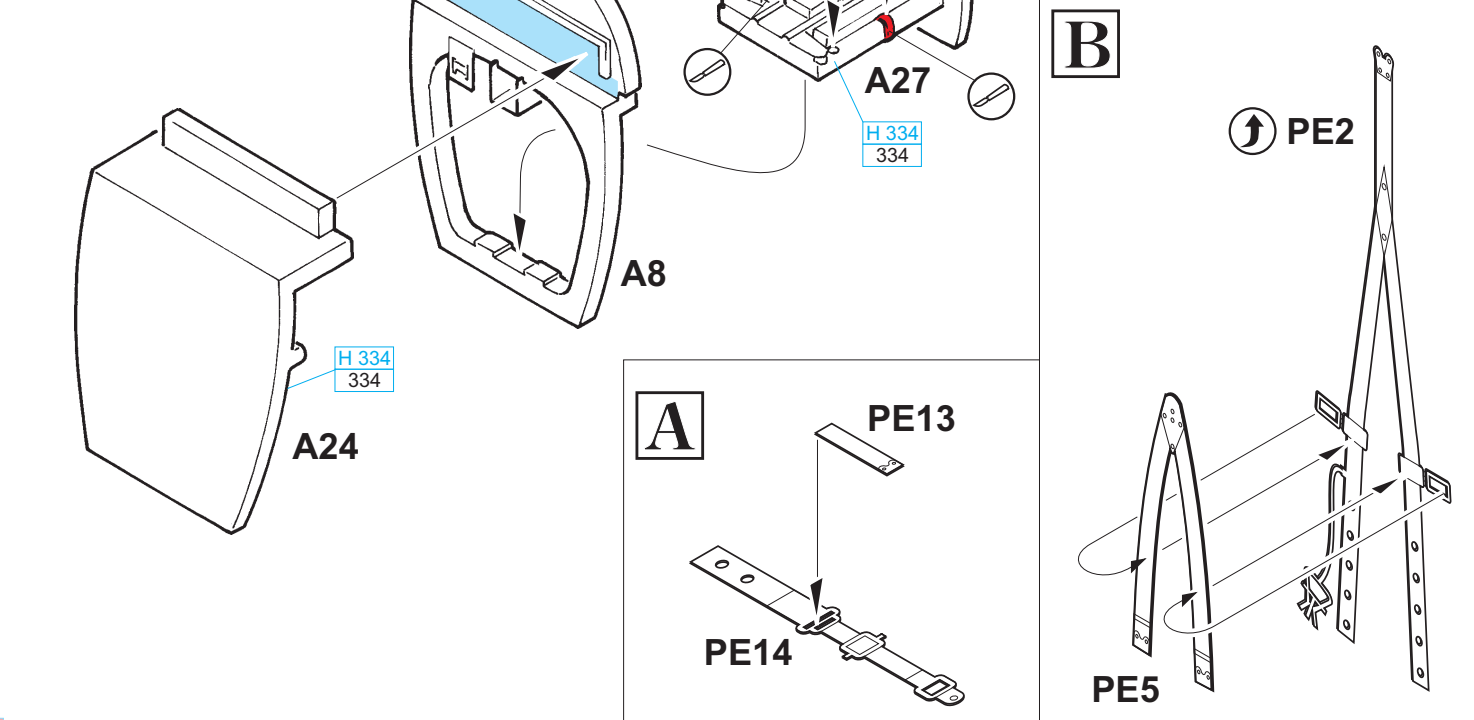
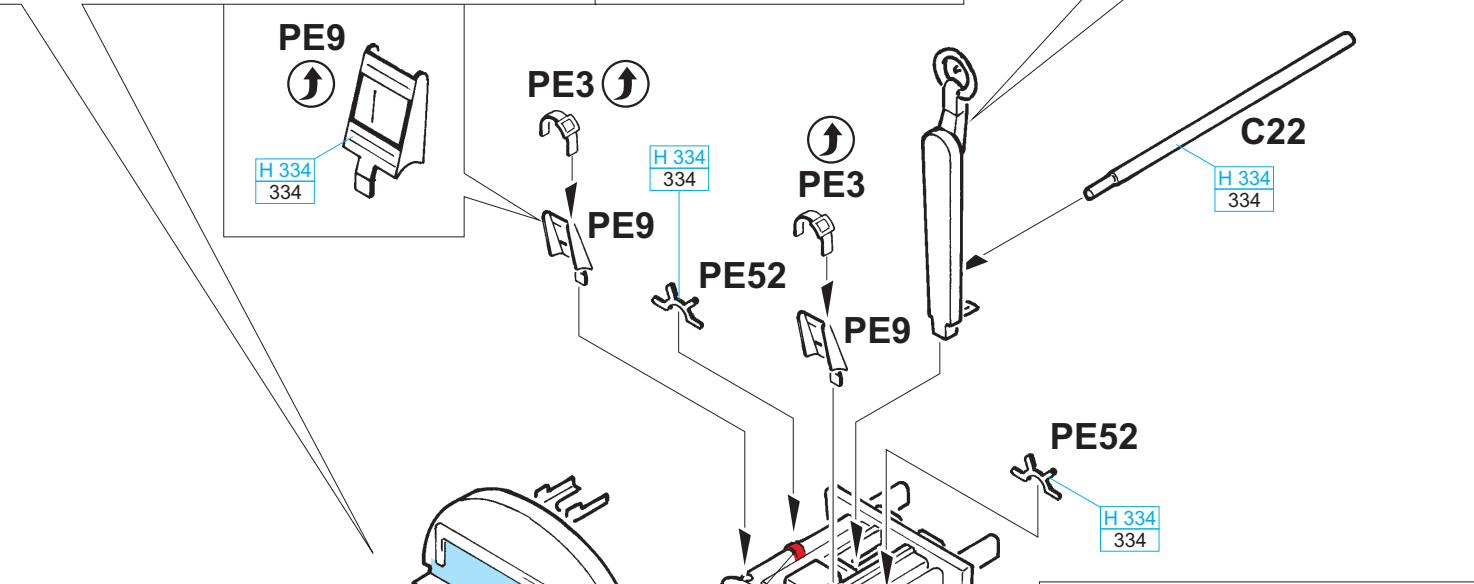
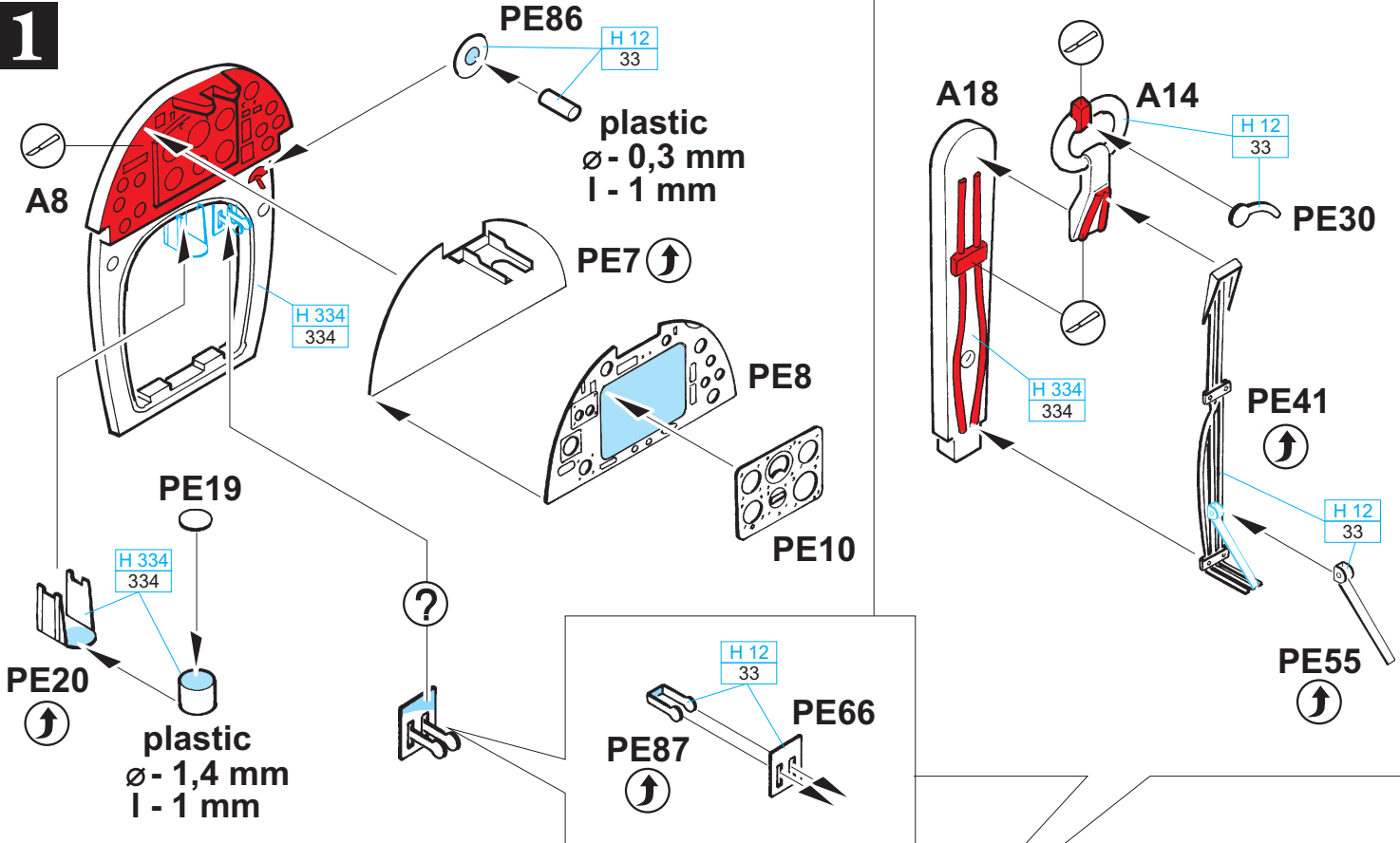


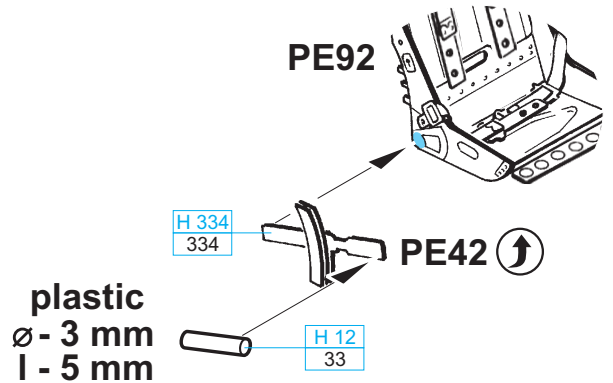
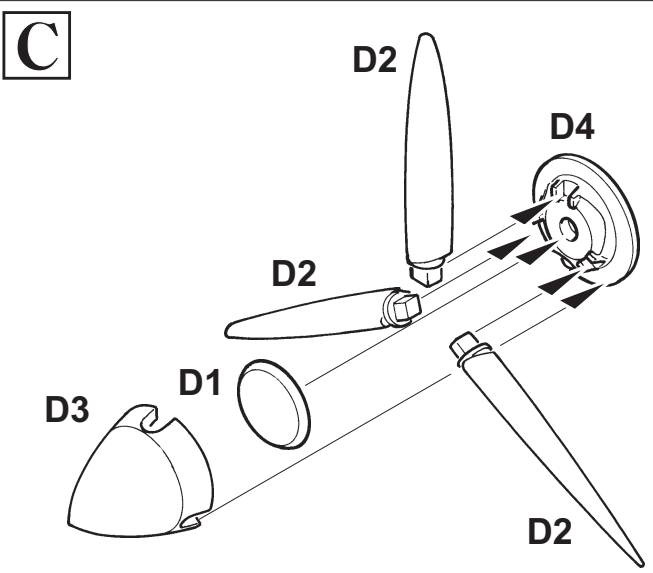
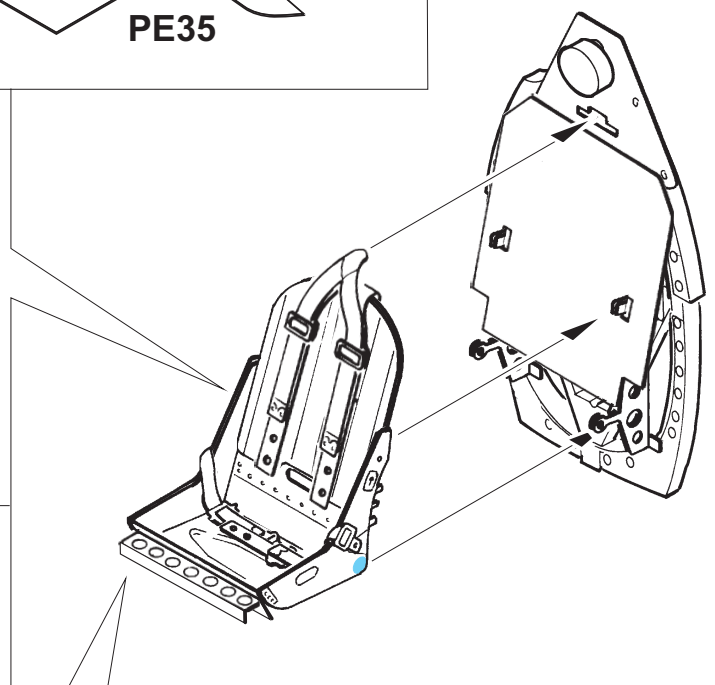
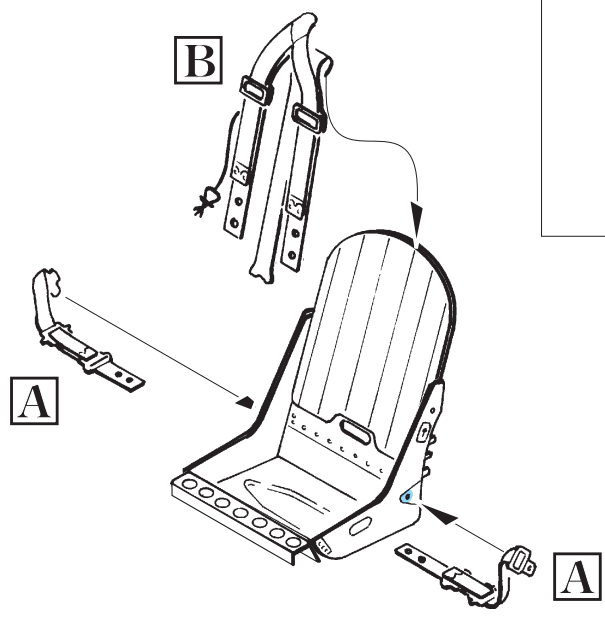
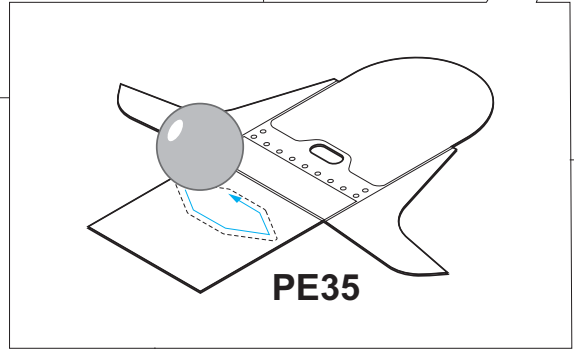
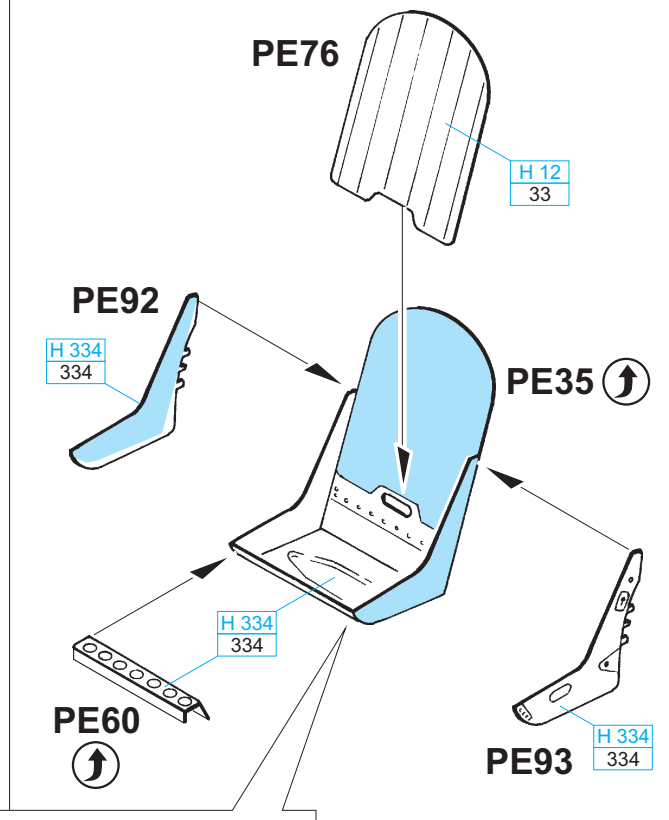
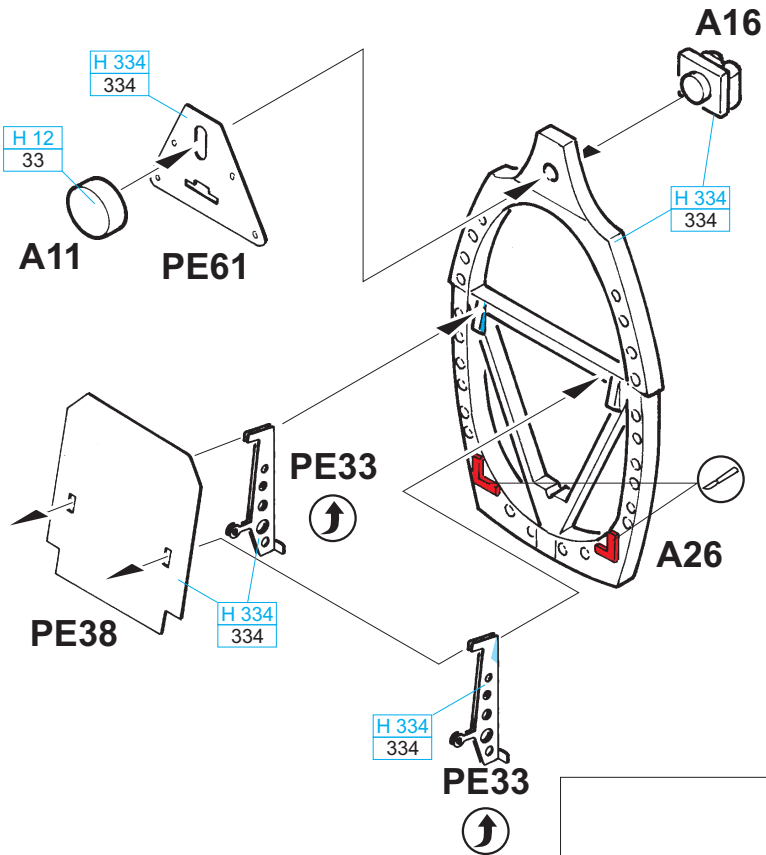
eduard  
MASK

FILM



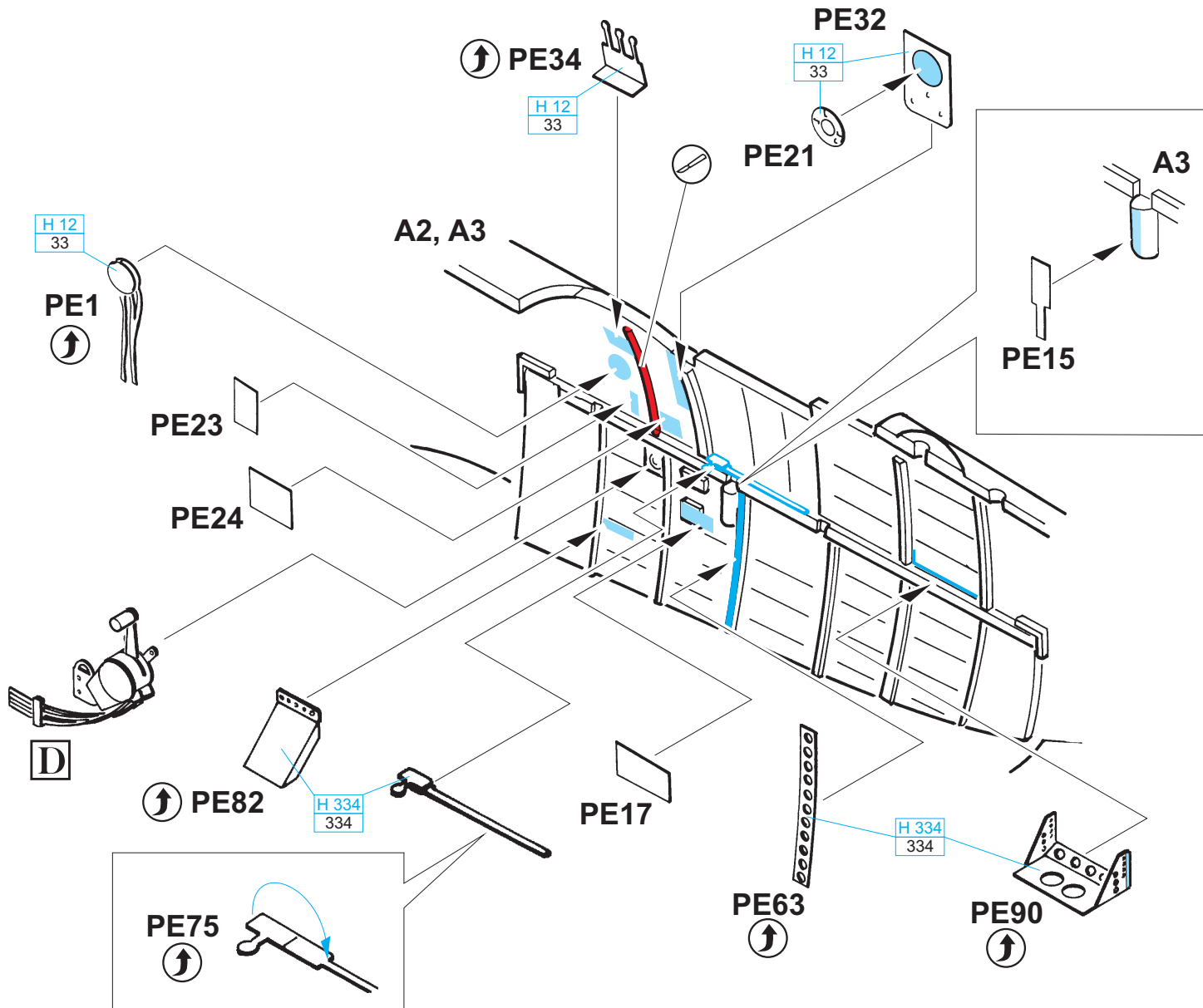
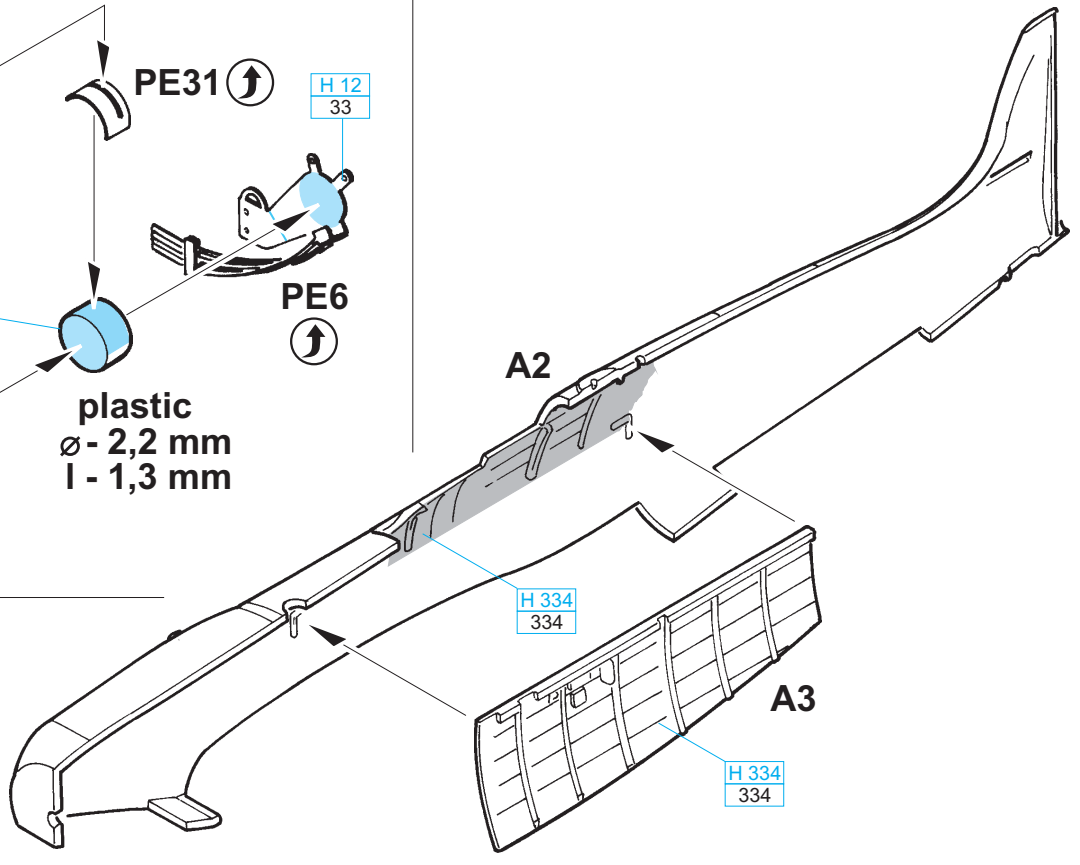
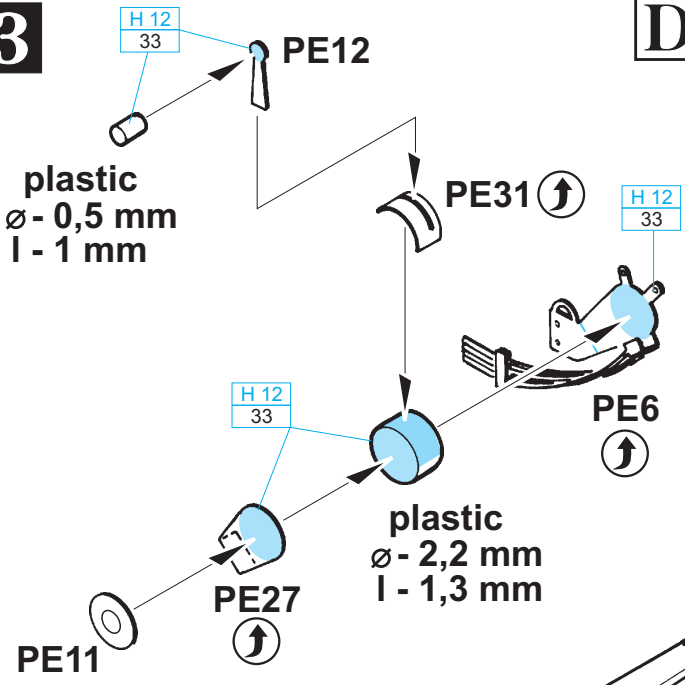


**1**

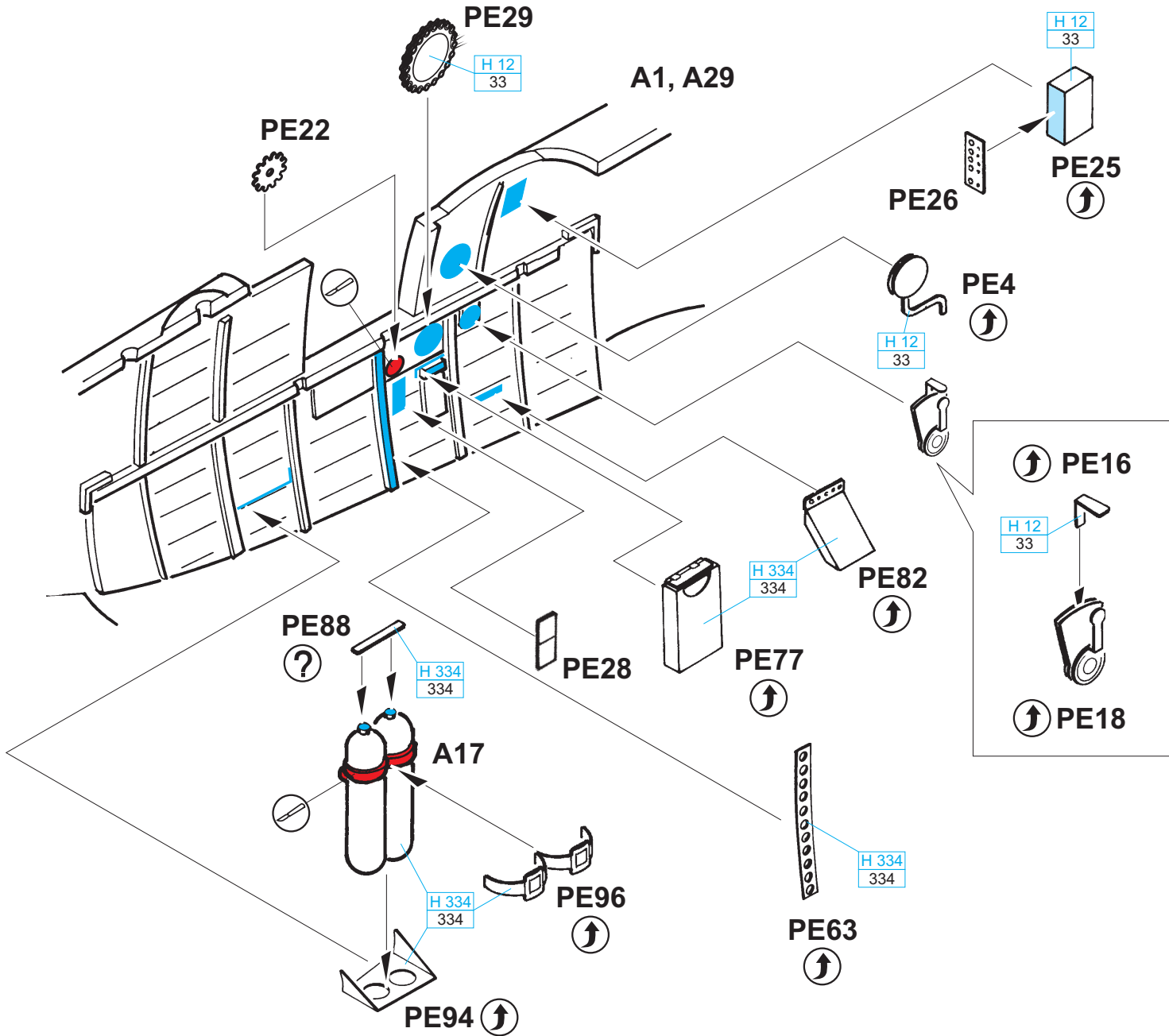
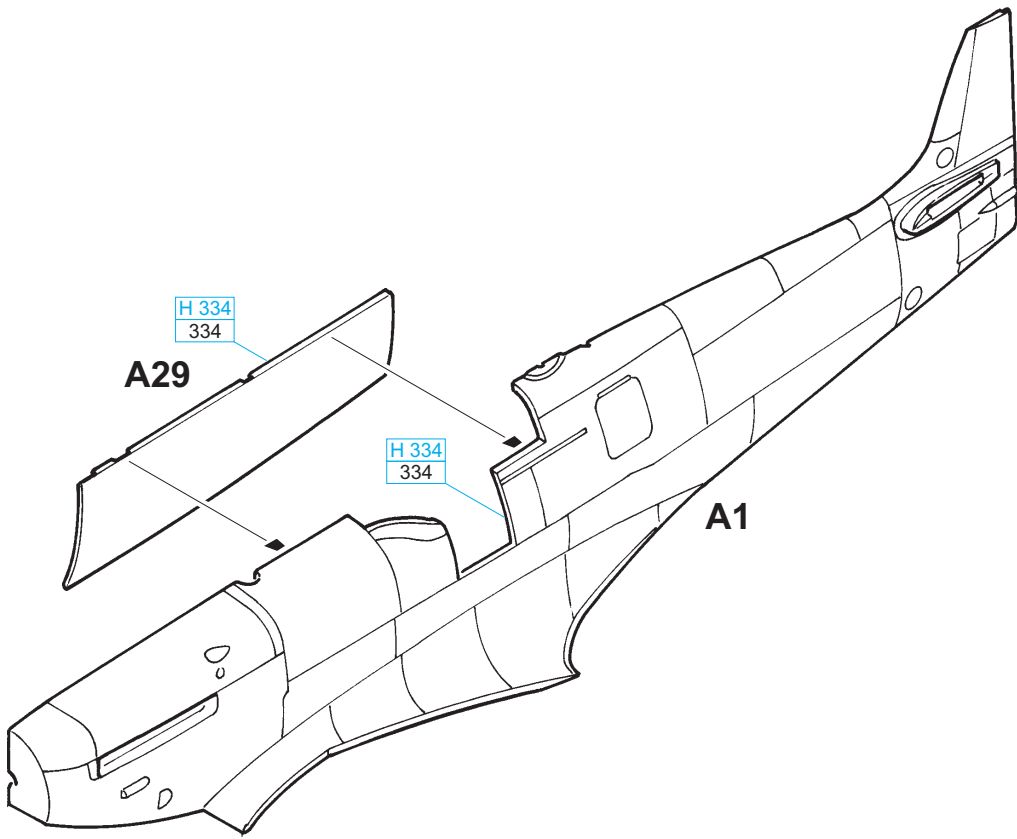


3

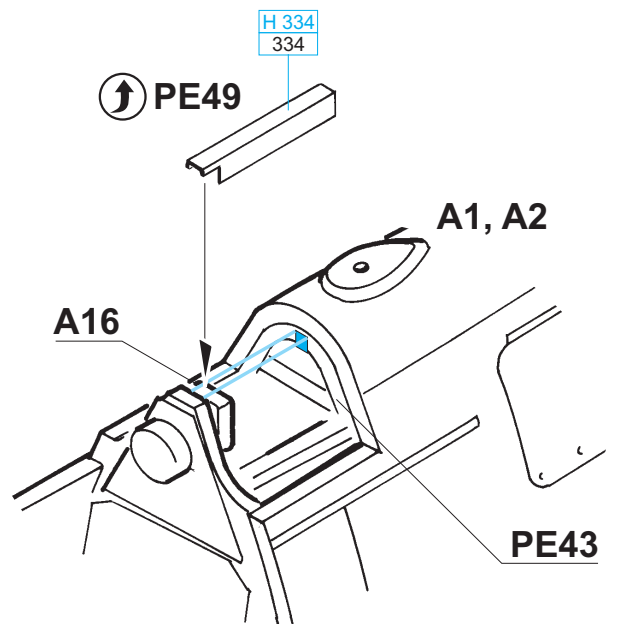
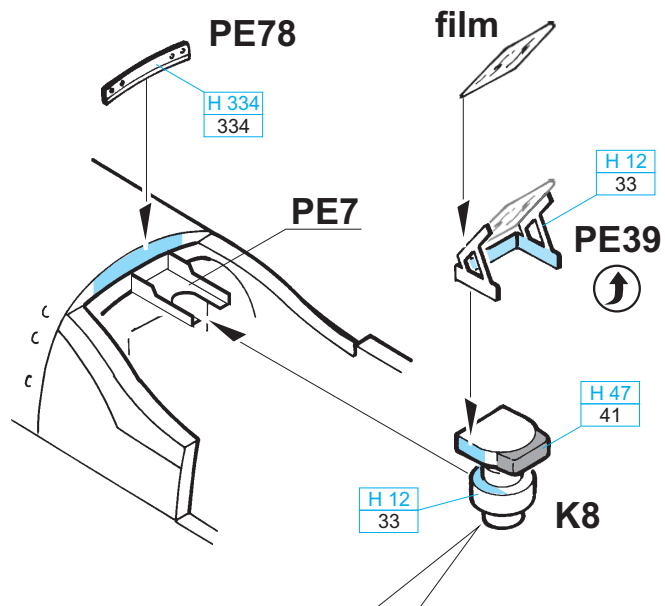
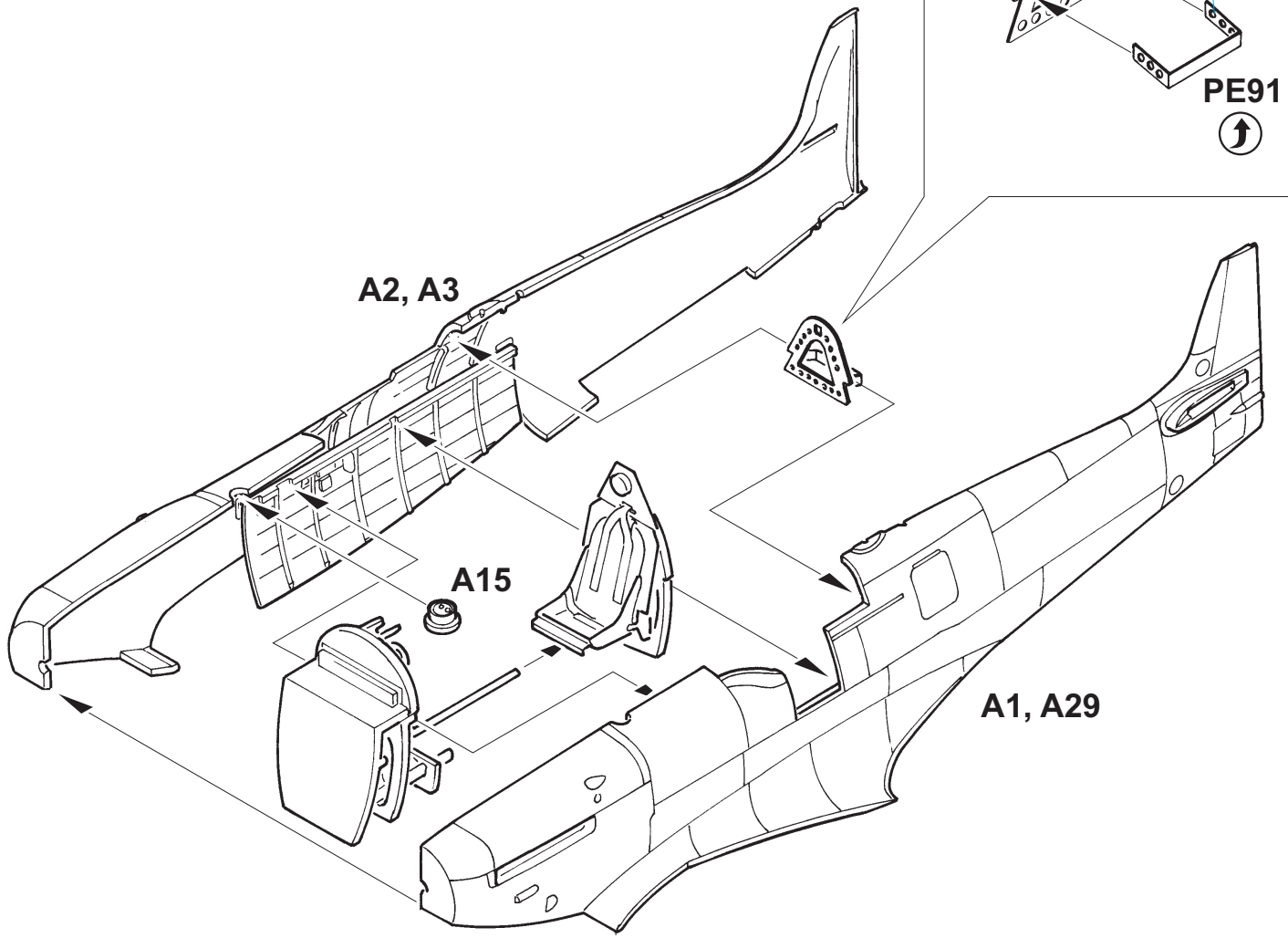
D



4

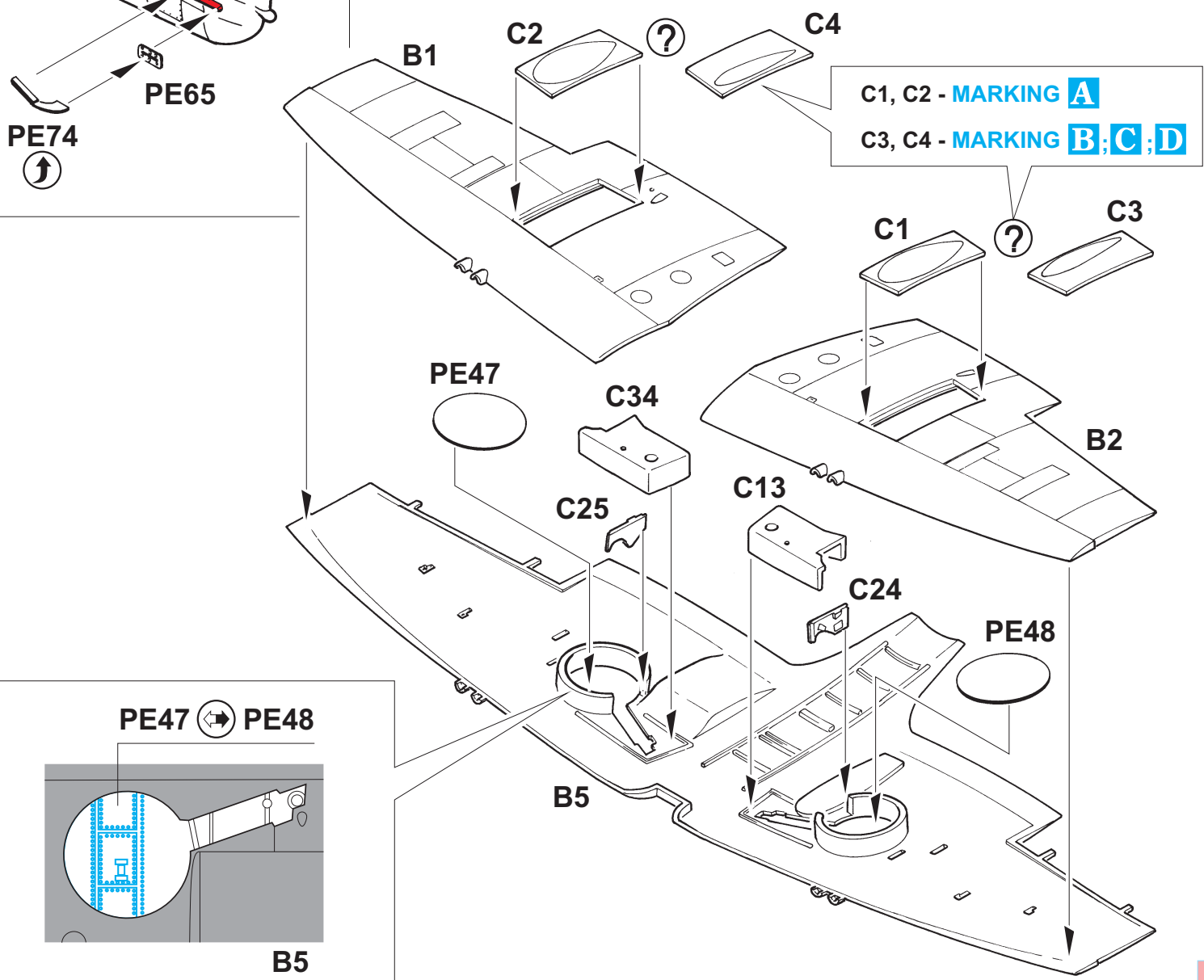
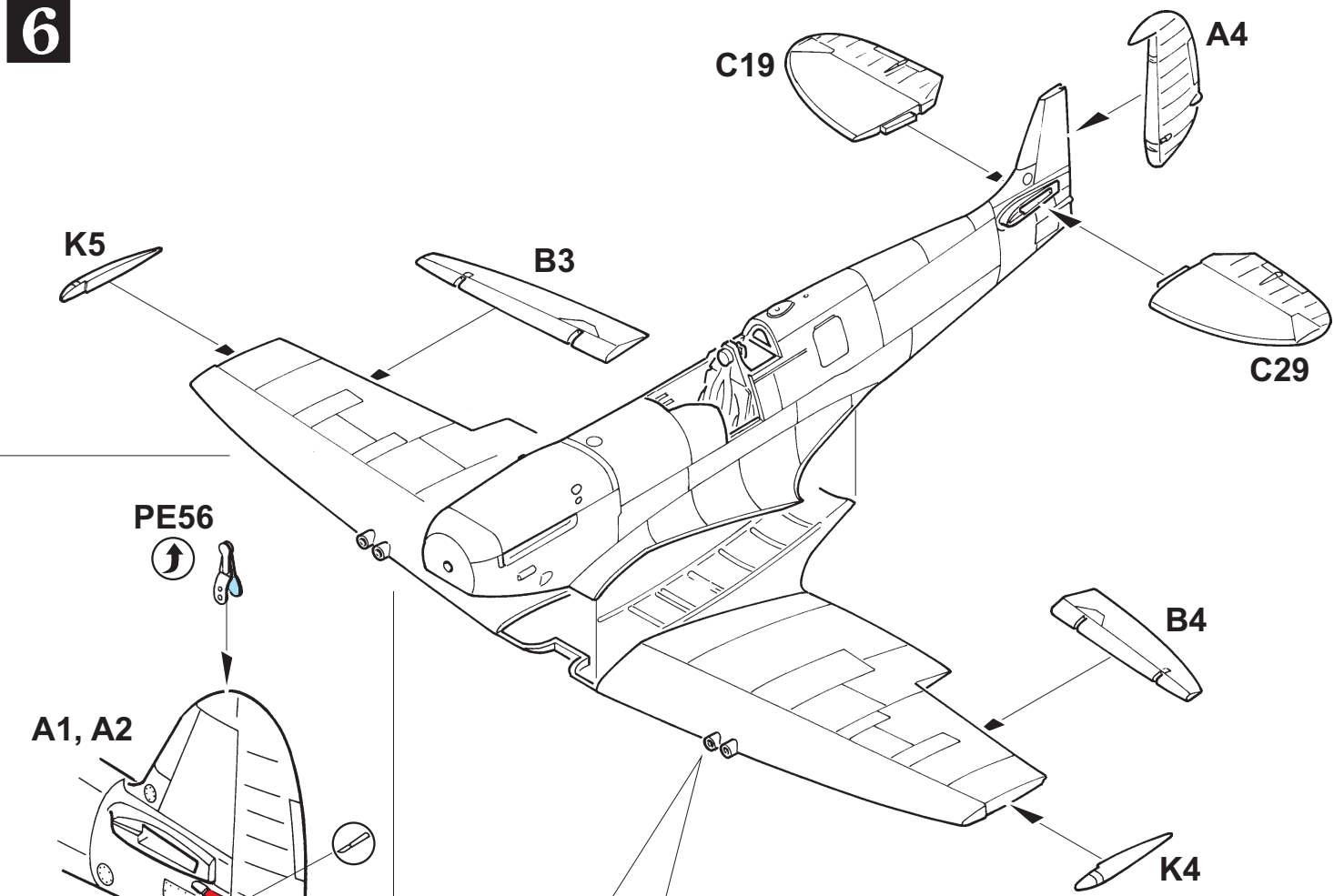


5



6

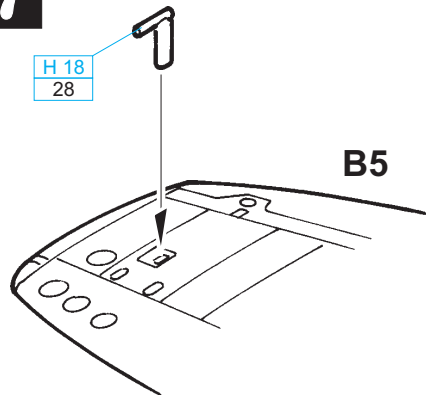




C27

H 18  
28

B5



C8, C9 - MARKING A; B; C

H 334  
334

C9

C8

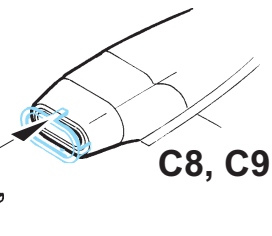
H 334  
334

H 12  
33

PE81

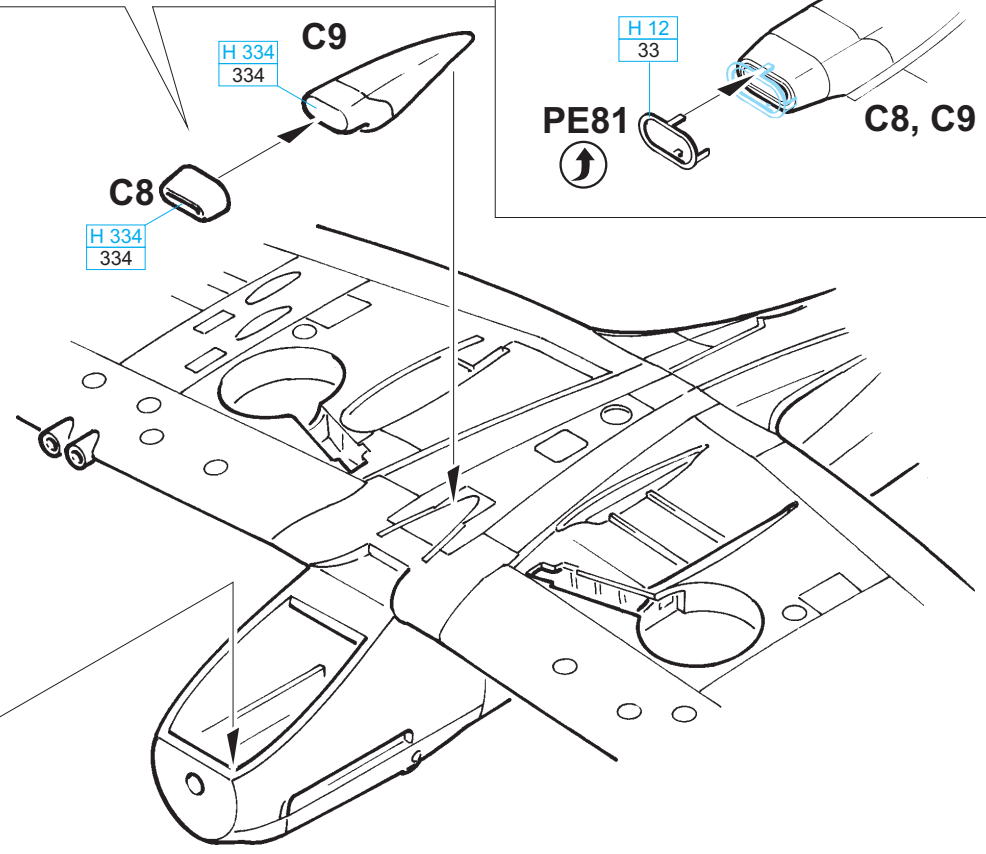
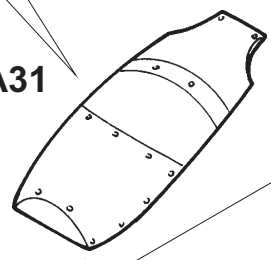


C8, C9



A31 - MARKING A; B; C

A31



PE64

C11

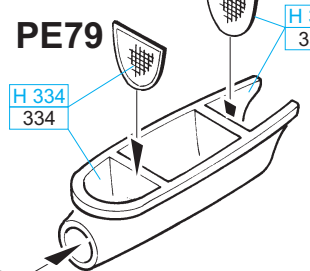
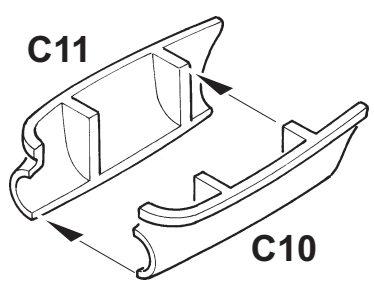
PE79

H 334  
334

C10

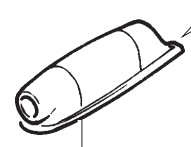
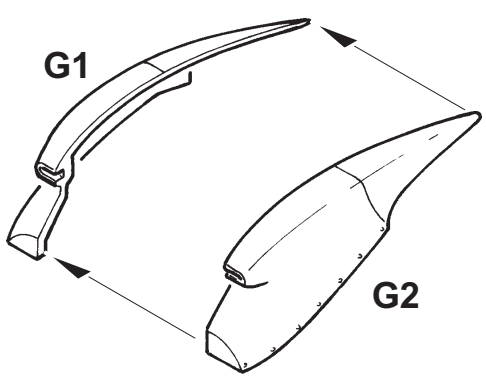
H 334  
334

PE100



G1

G2



K9

C32

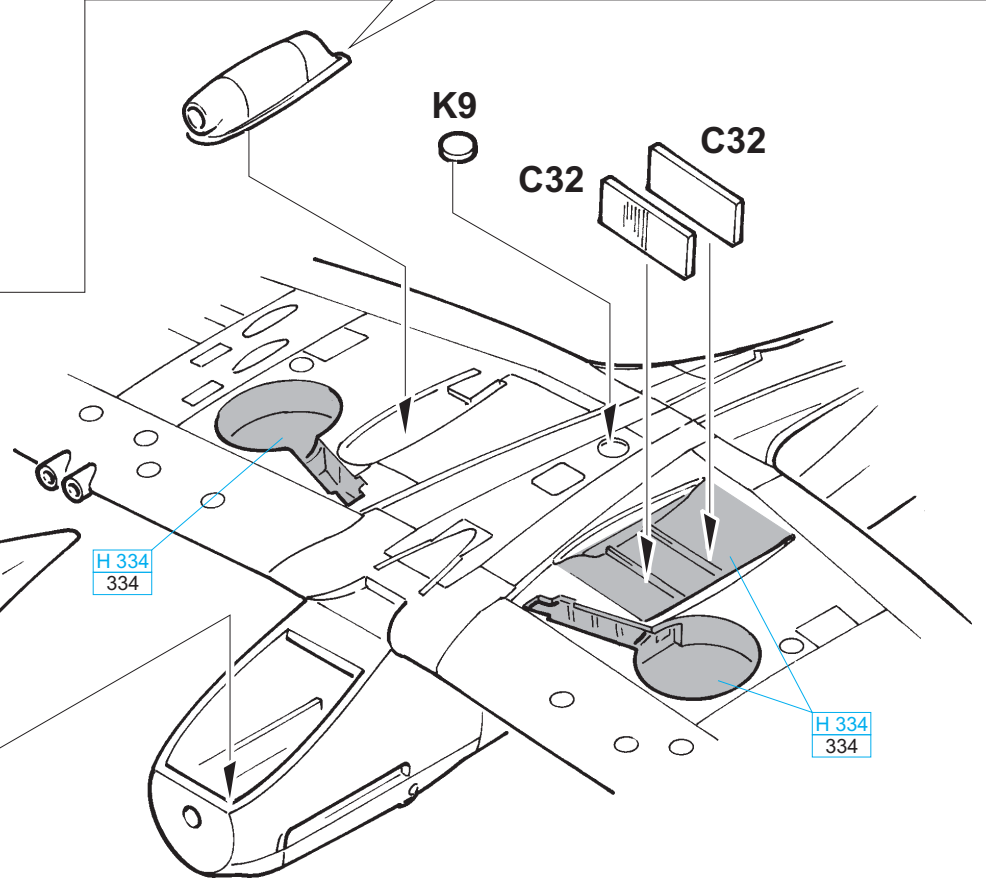
C32

G1, G2 - MARKING A

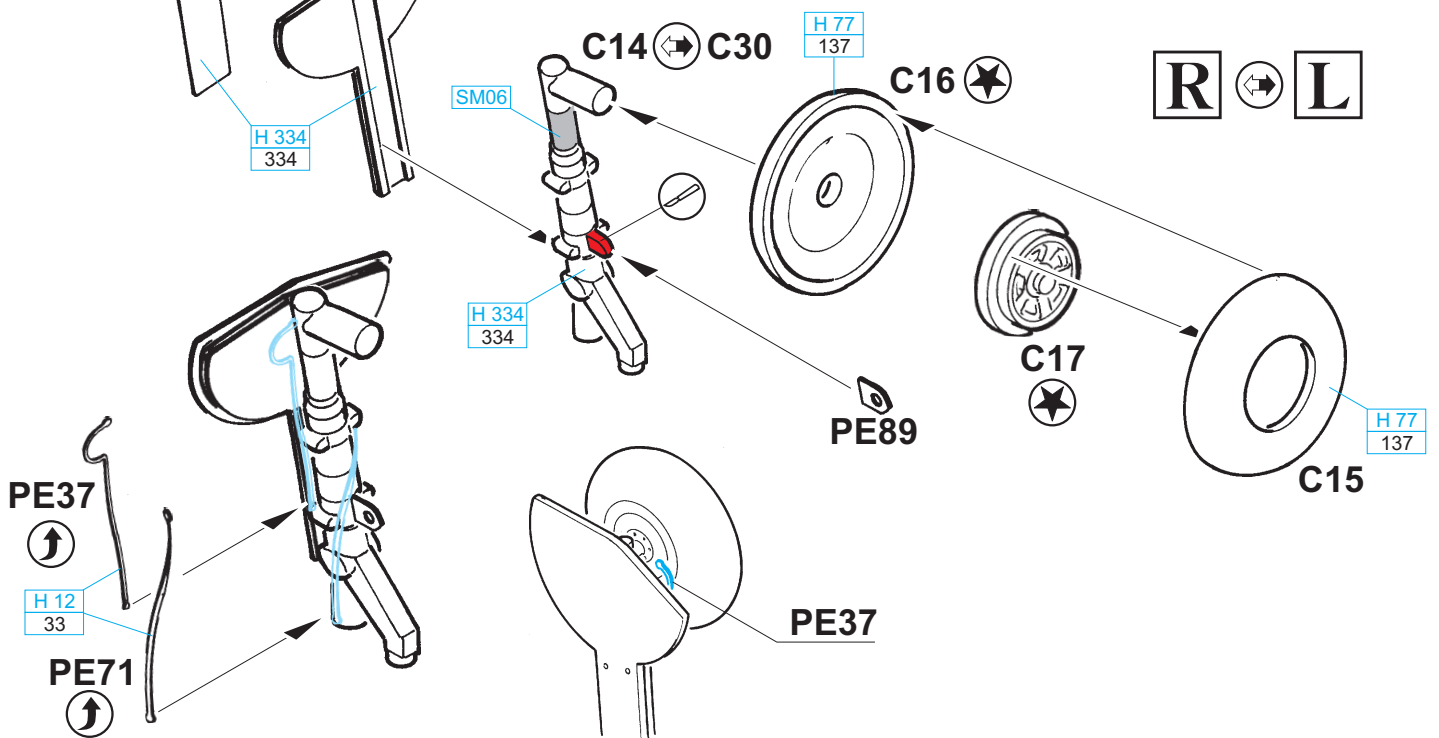
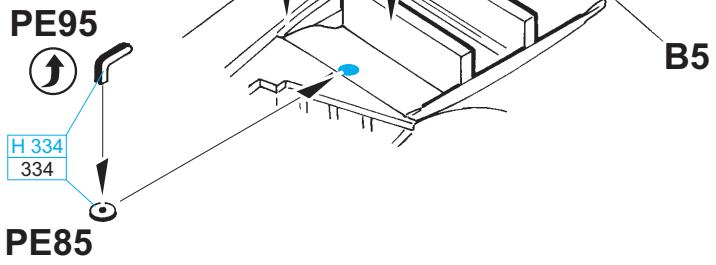
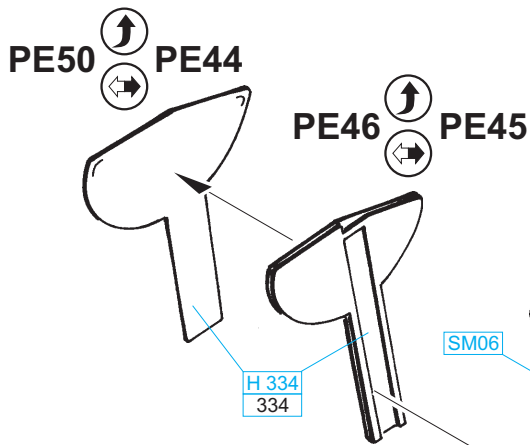
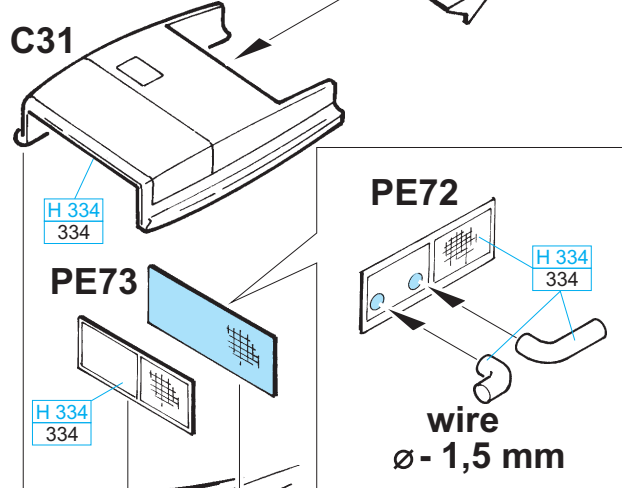
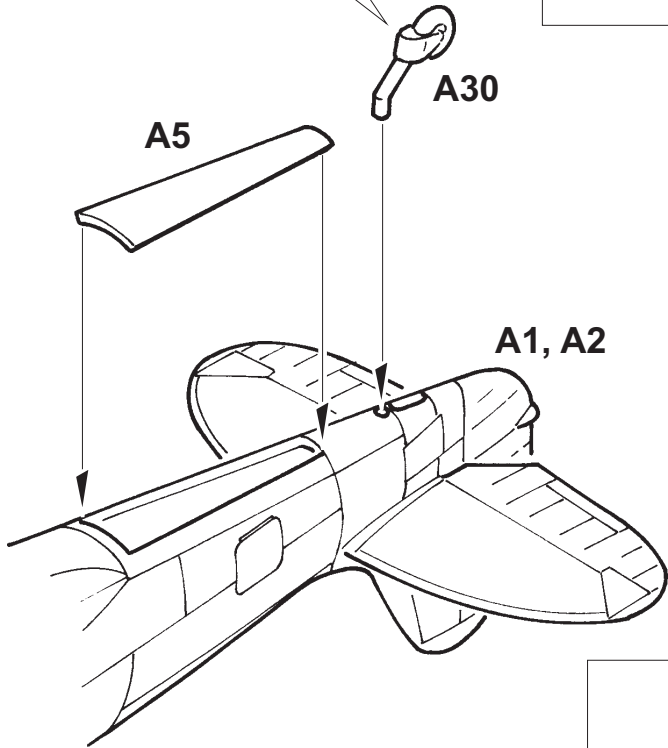
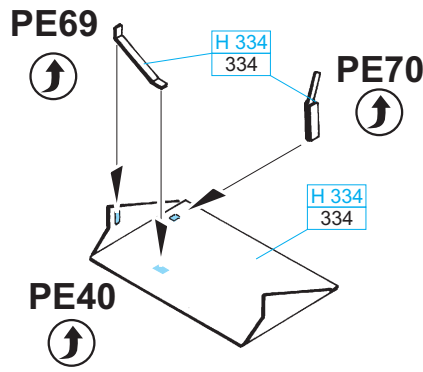
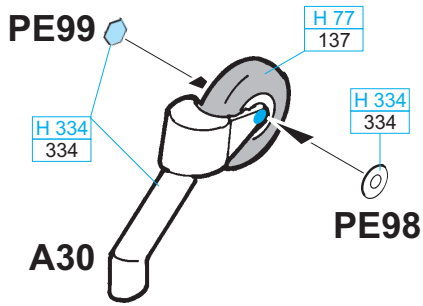
H 334  
334

H 334  
334

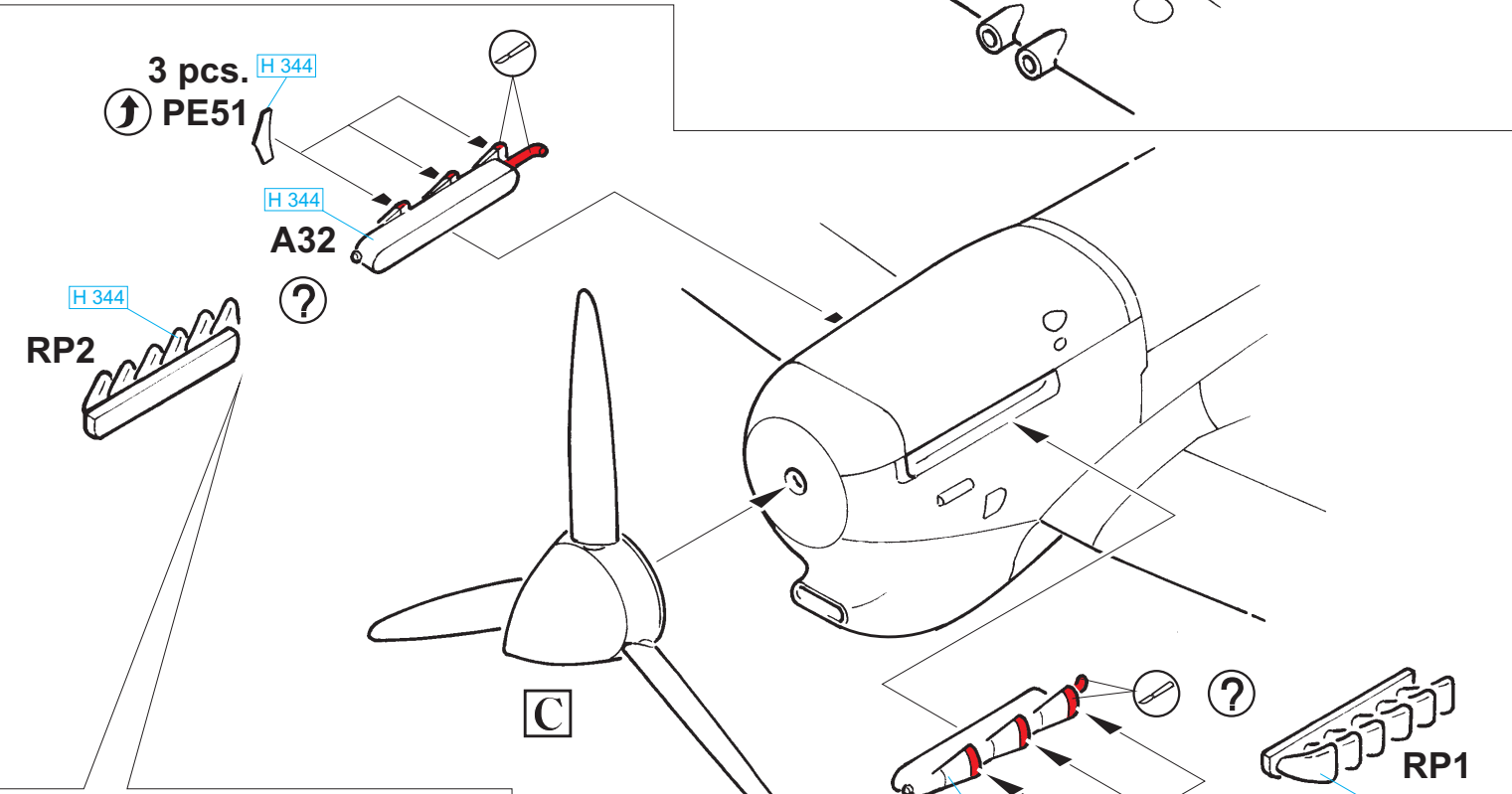
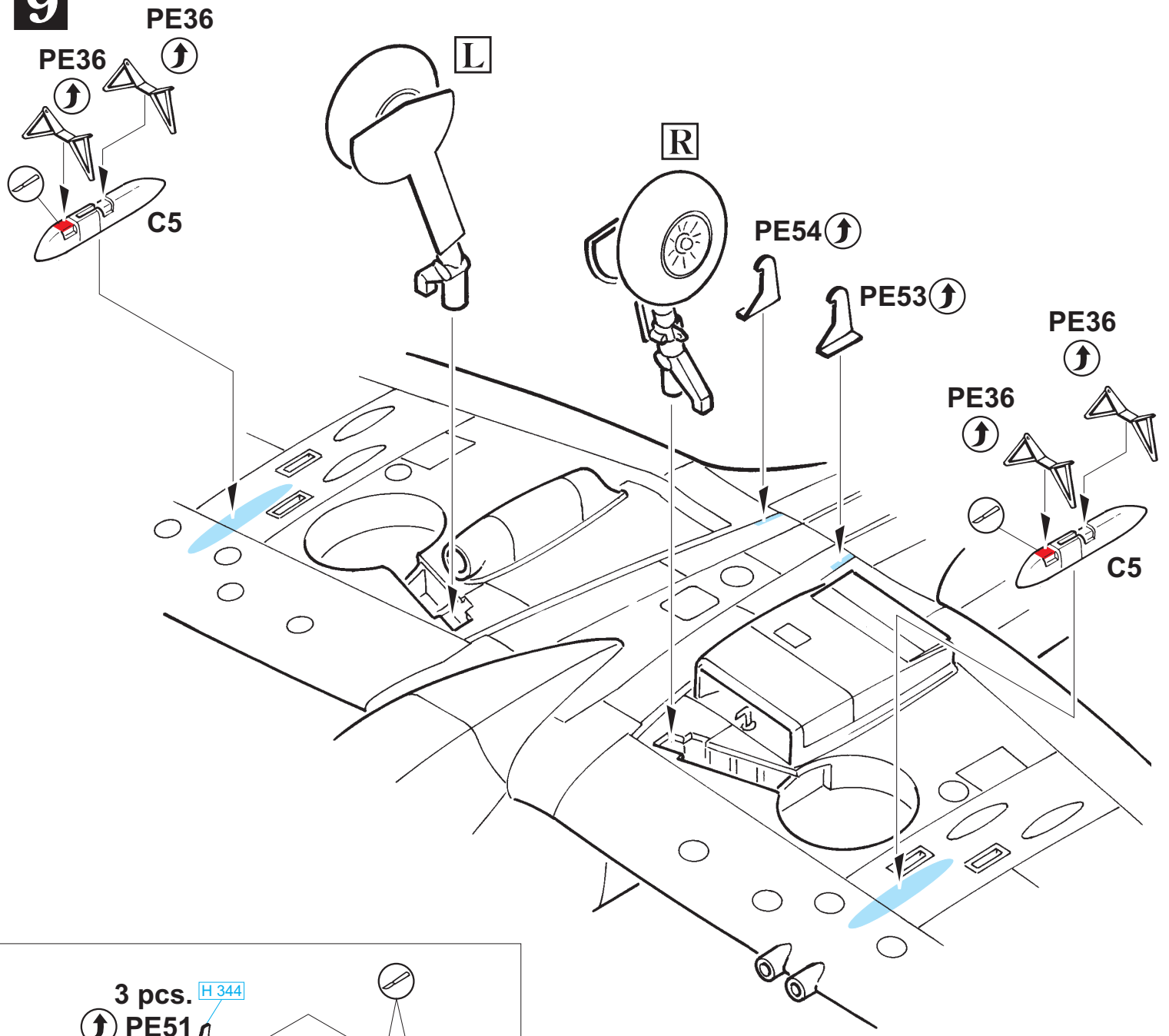
H 334  
334



8



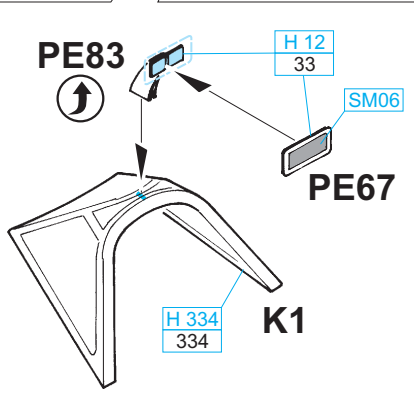
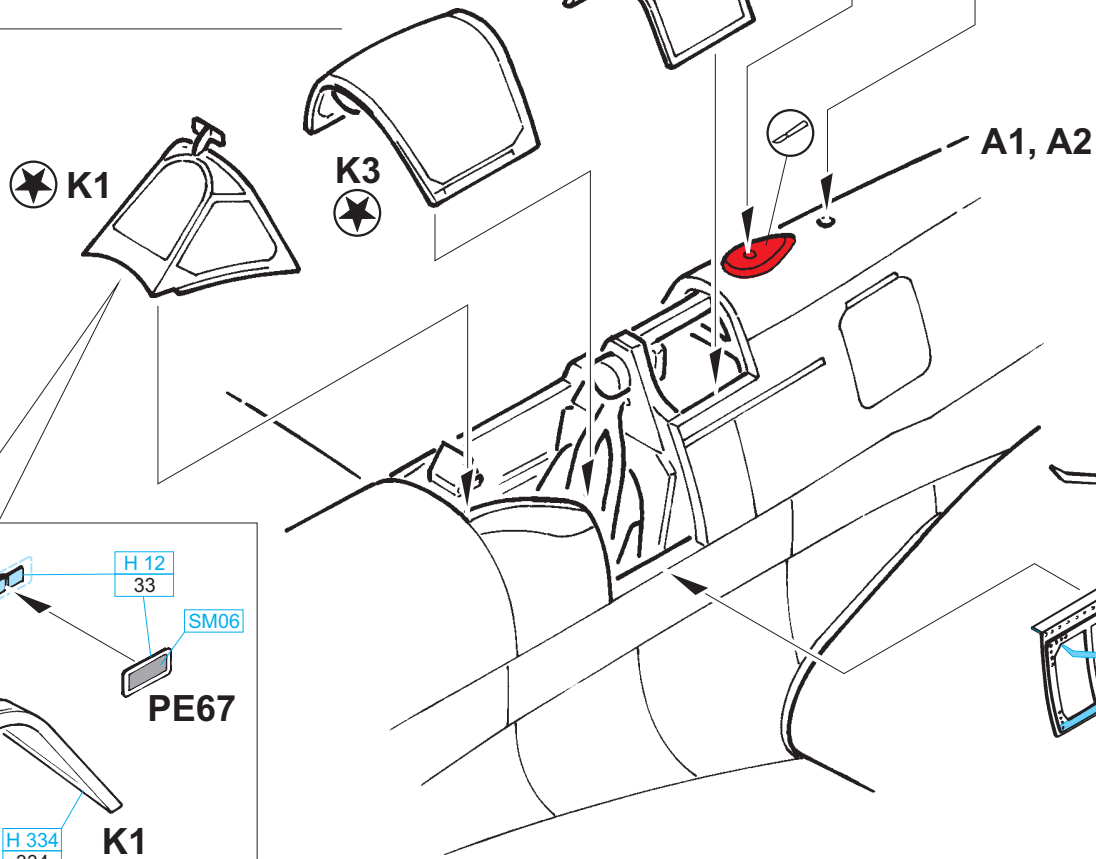
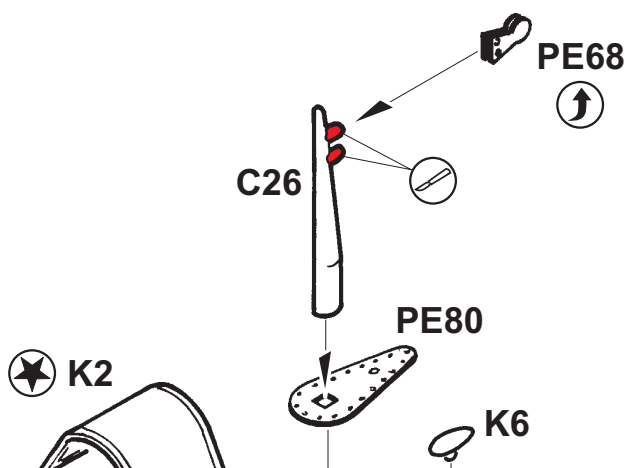
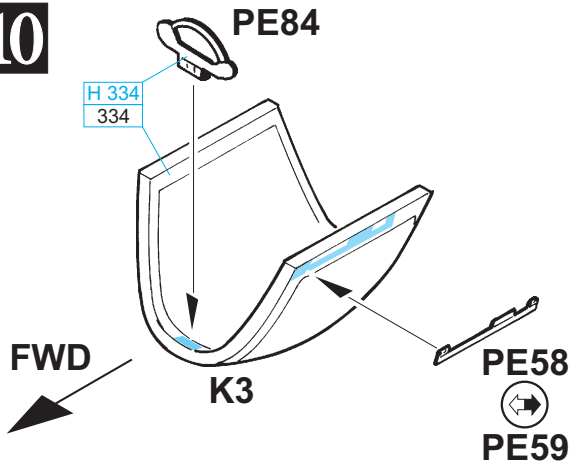
9



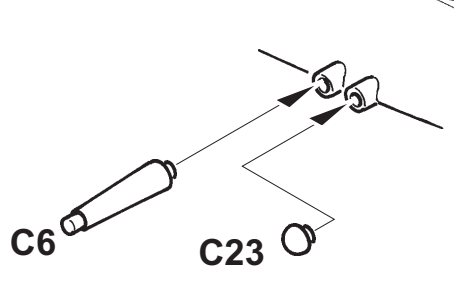
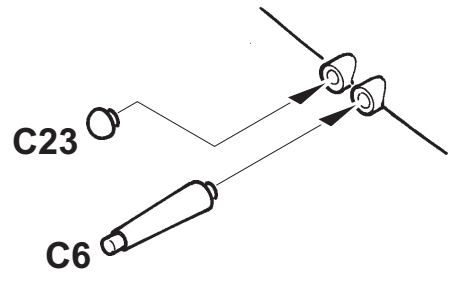
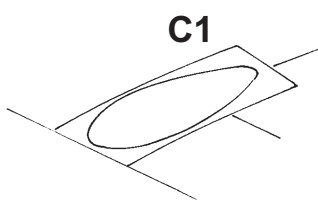
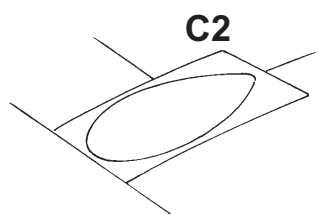
RP1, RP2 - MARKING **A**

A32, A33 - MARKING **B; C; D**

10

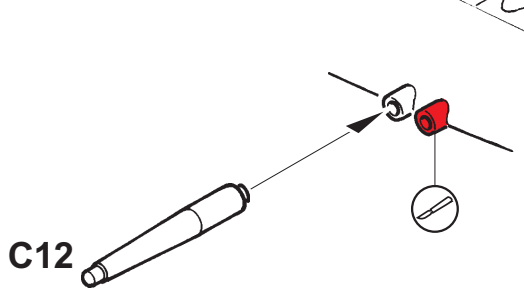
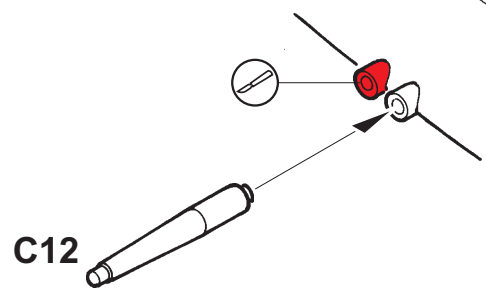
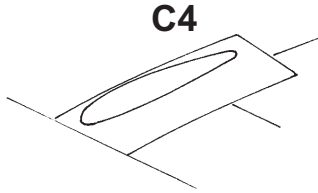
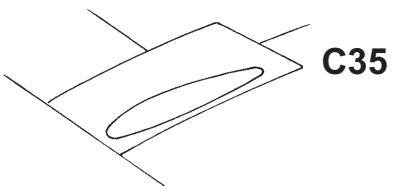


MARKING **A**

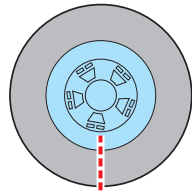
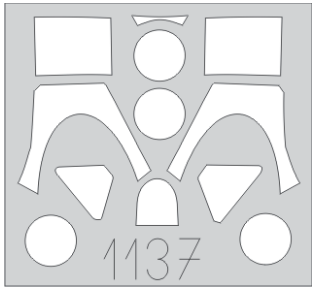


?

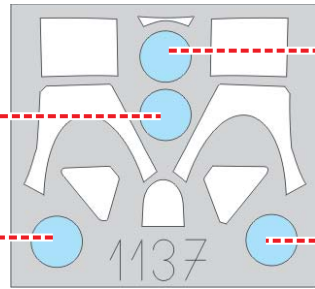
MARKING **B;C;D**



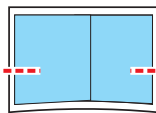
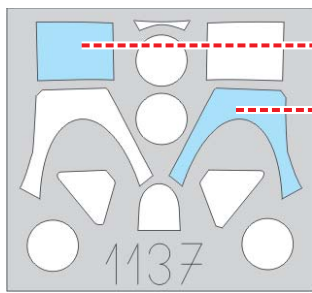
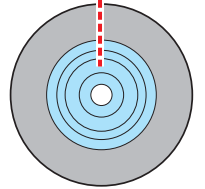
1137



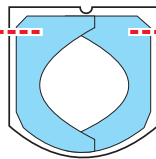
C17  
2 pcs.



2 pcs.  
C16



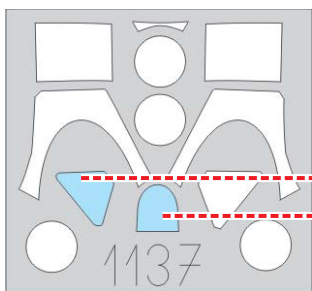
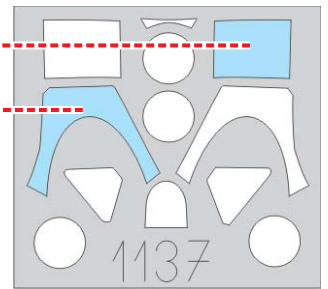
K2



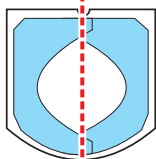
K3



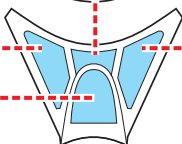
K1



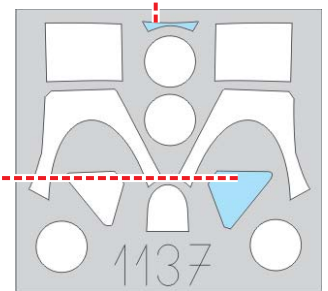
K2



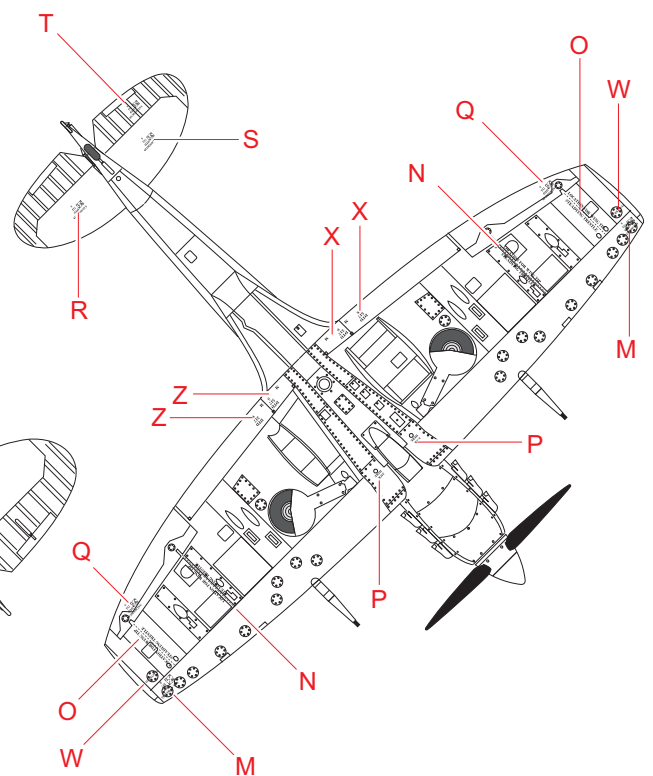
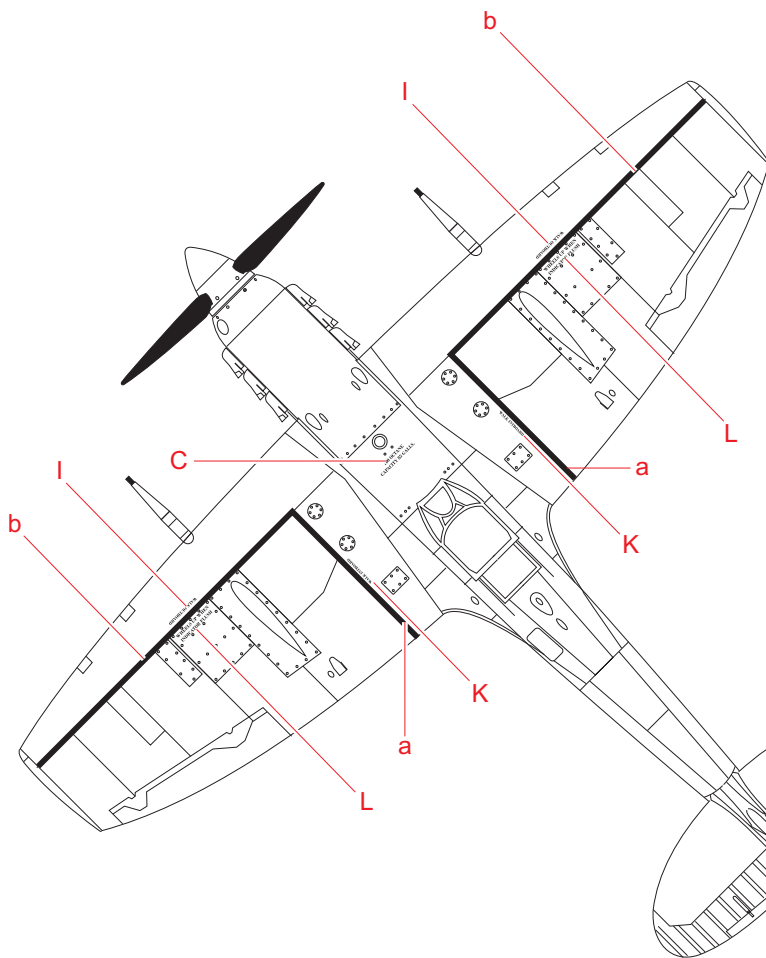
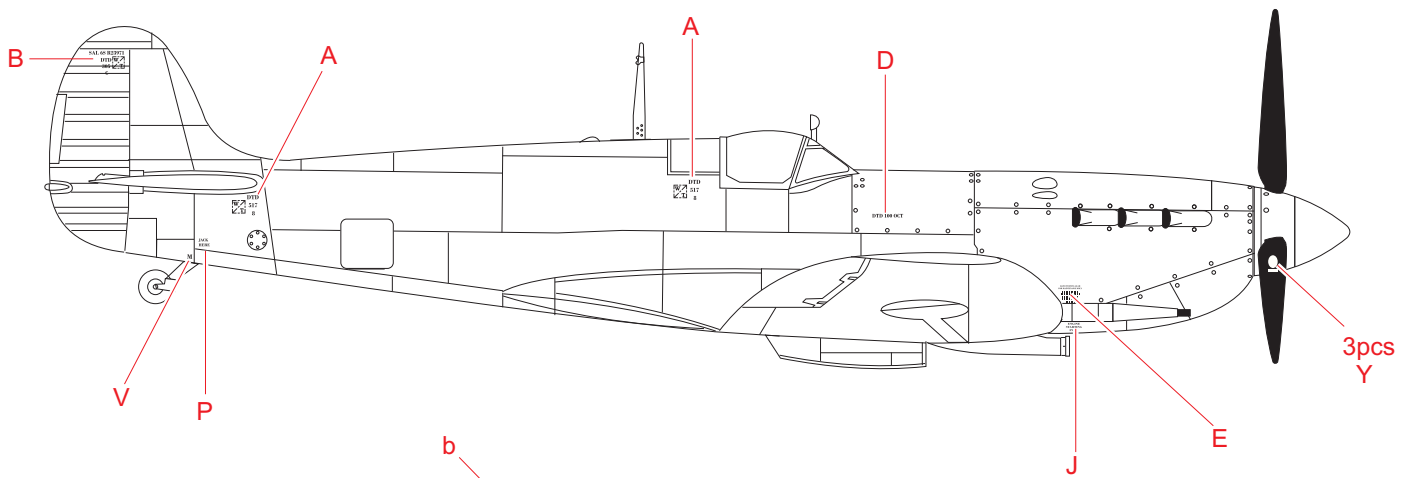
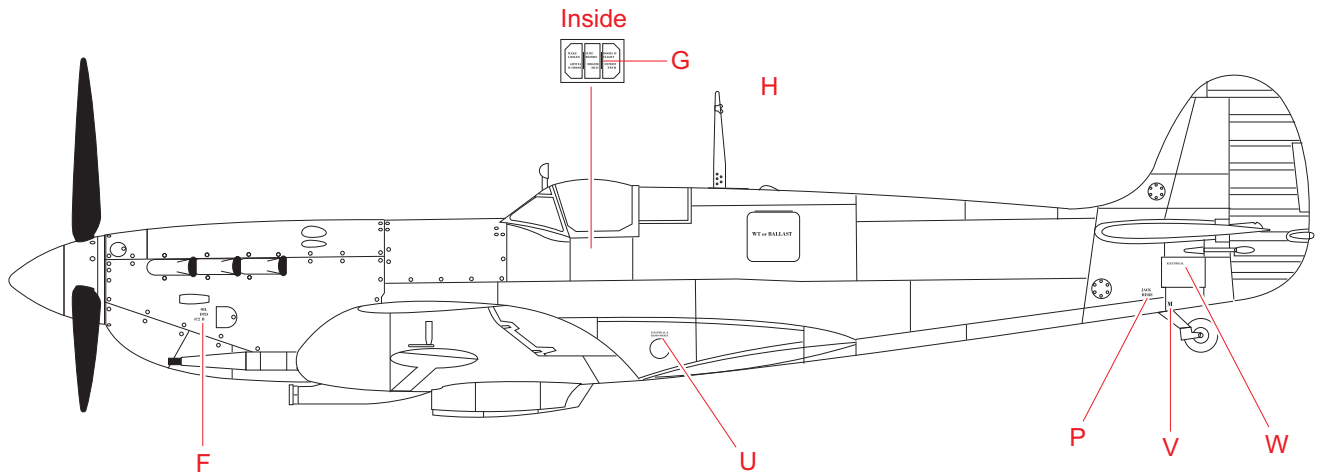
K3



K1



# Stencils Application



# A. EF736, GR II/33 Savoie, Fall, 1944

Spitfire Mk.Vc EF736 served in the Groupe de Reconnaissance II/33 „Savoie“ - one of the first Free French units to receive Spitfires. The plane wore a distinctive desert camouflage scheme with yellow French recognition markings. The sharkmouth was a personal noseart worn by this aircraft, but the seagull painted immediately behind the cockpit was a common unit emblem.

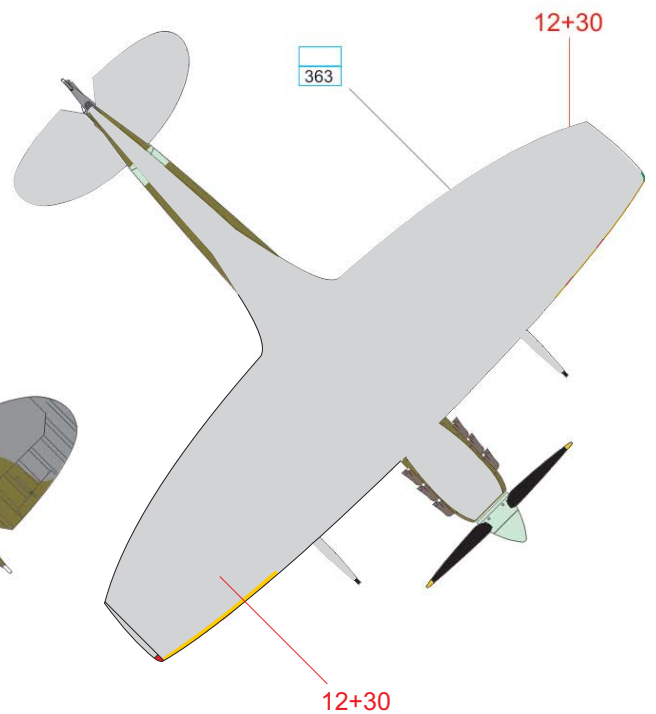
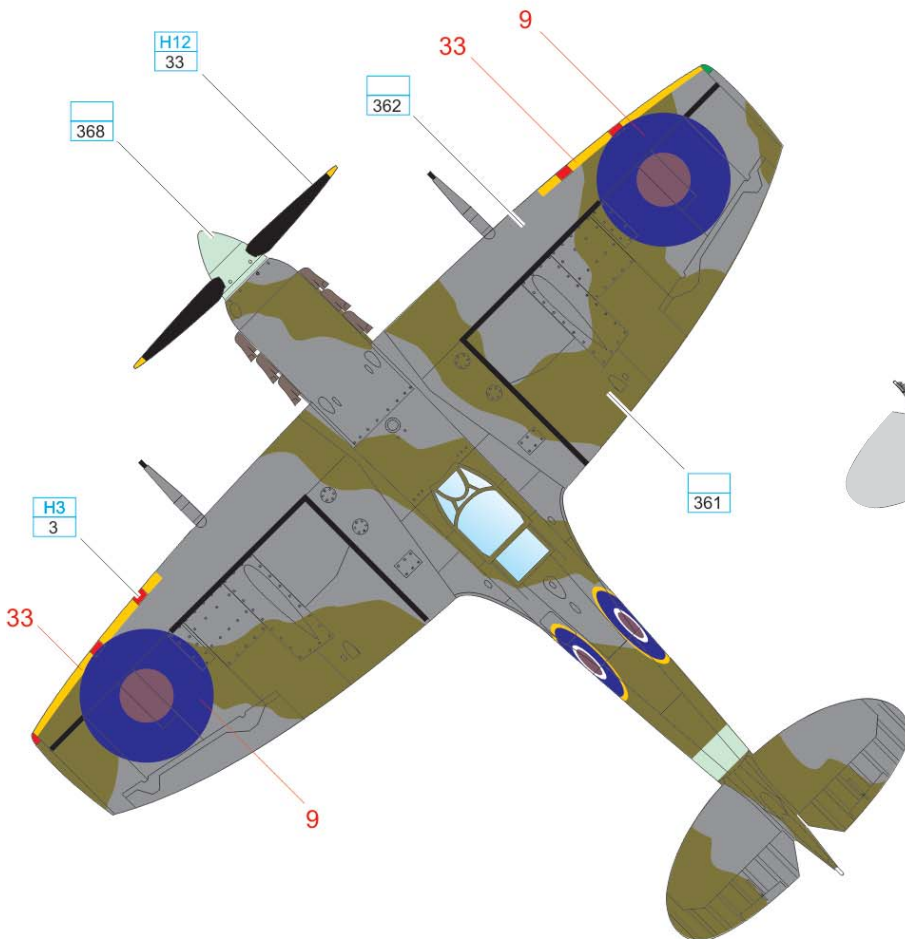
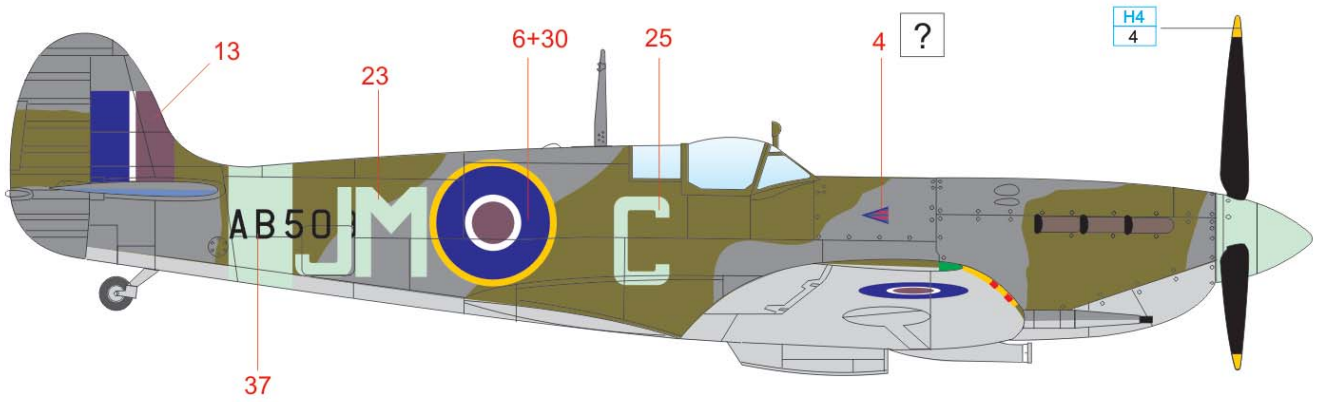
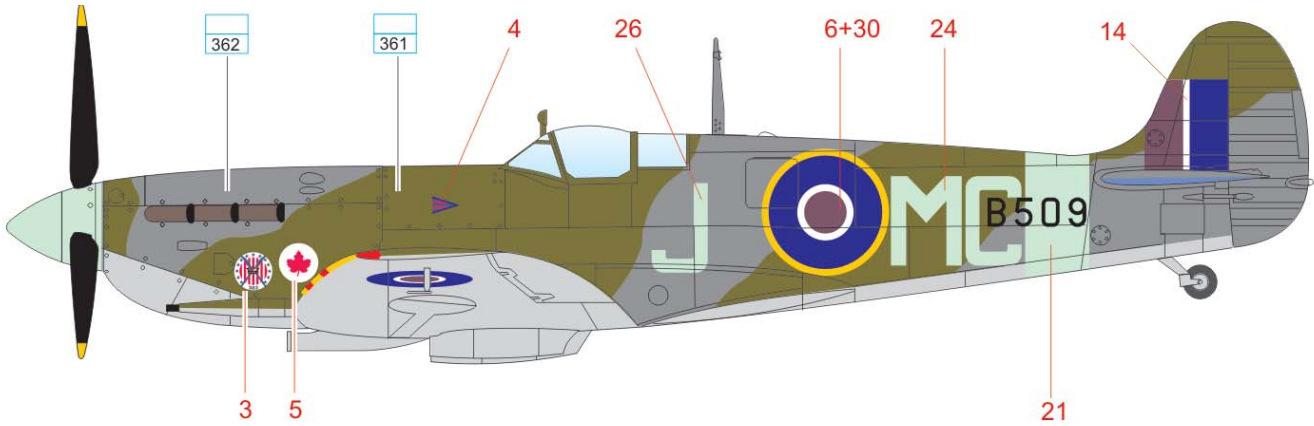
(for more information and historical background, refer to the kit's infopage at [www.eduard.cz](http://www.eduard.cz))





# B. J-MC, AB509, No. 142 Wing RAF, early June, 1944

Spitfire Mk.Vc AB509 was flown by ace Wing Commander John Milne Checketts (New Zealand), Wing Leader of No.142 Wing in May, 1944. The plane wore standard RAF late camouflage and individual letters of the pilot, a privilege of wing leaders. Emblems on the port fuselage are the Wing Commander marking, and those of two of the three squadrons of his Wing – No. 303 (Polish) „Kosciuszko“ Sq. and No. 402 RCAF „City of Winnipeg“ Squadron.  
 (for more information and historical background, refer to the kit's infopage at [www.eduard.cz](http://www.eduard.cz))

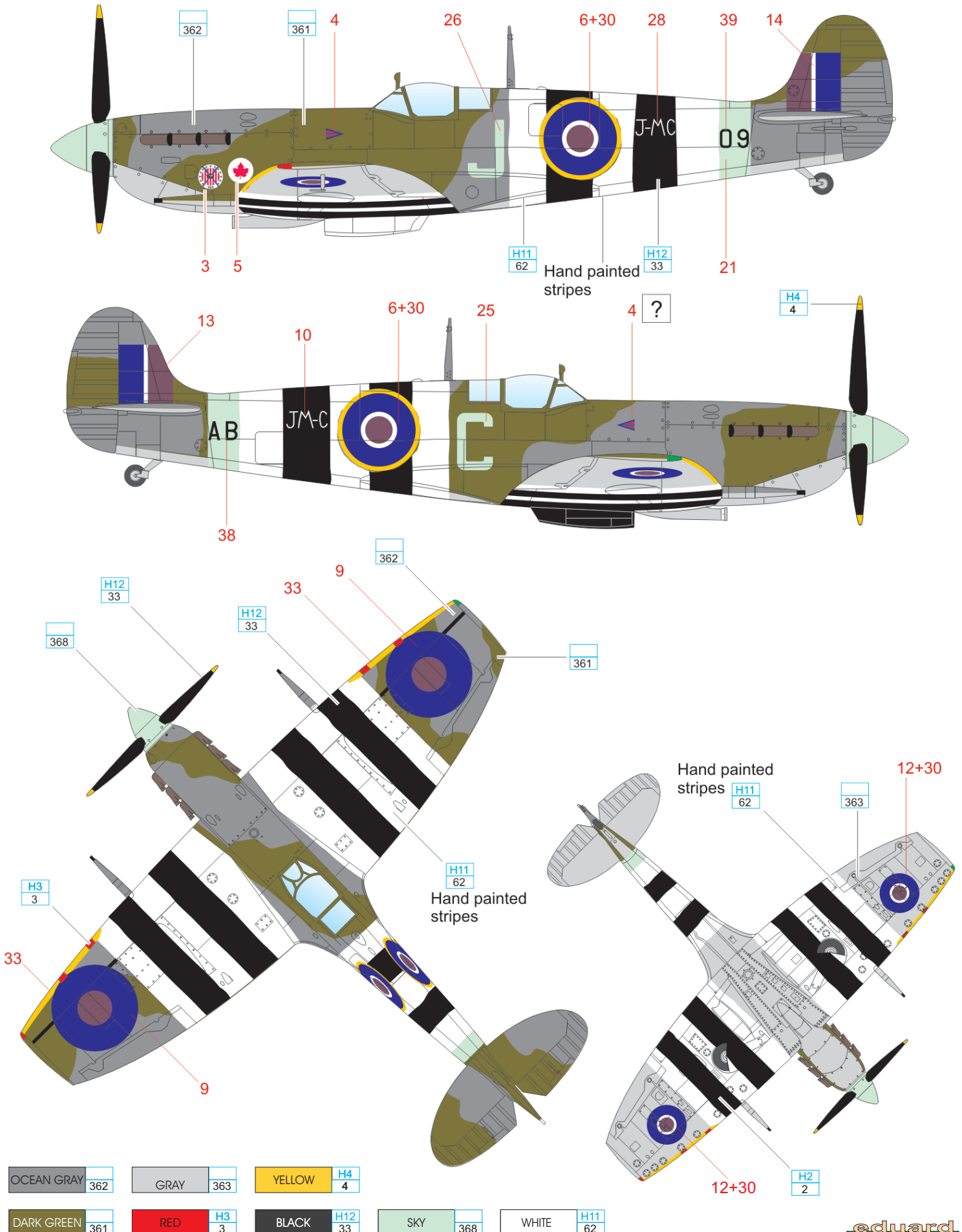


OCEAN GRAY	362	GRAY	363	YELLOW	H4 4
DARK GREEN	361	RED	H3 3	BLACK	H12 33
				SKY	368

# C. J-MC, AB509, No. 142 Wing RAF, late June, 1944

This profile describes the same Spitfire as in Profile 'B', but a few weeks later, after D-Day, during Operation Overlord. The plane was given the black and white D-Day stripes around the wings and fuselage. The individual pilot's letters, covered by the invasion stripes, were repainted in small characters over one of the black segments.

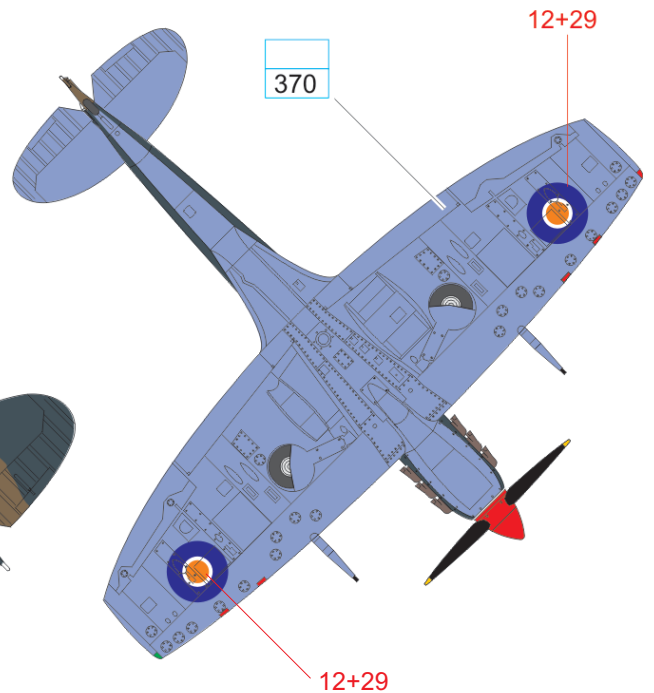
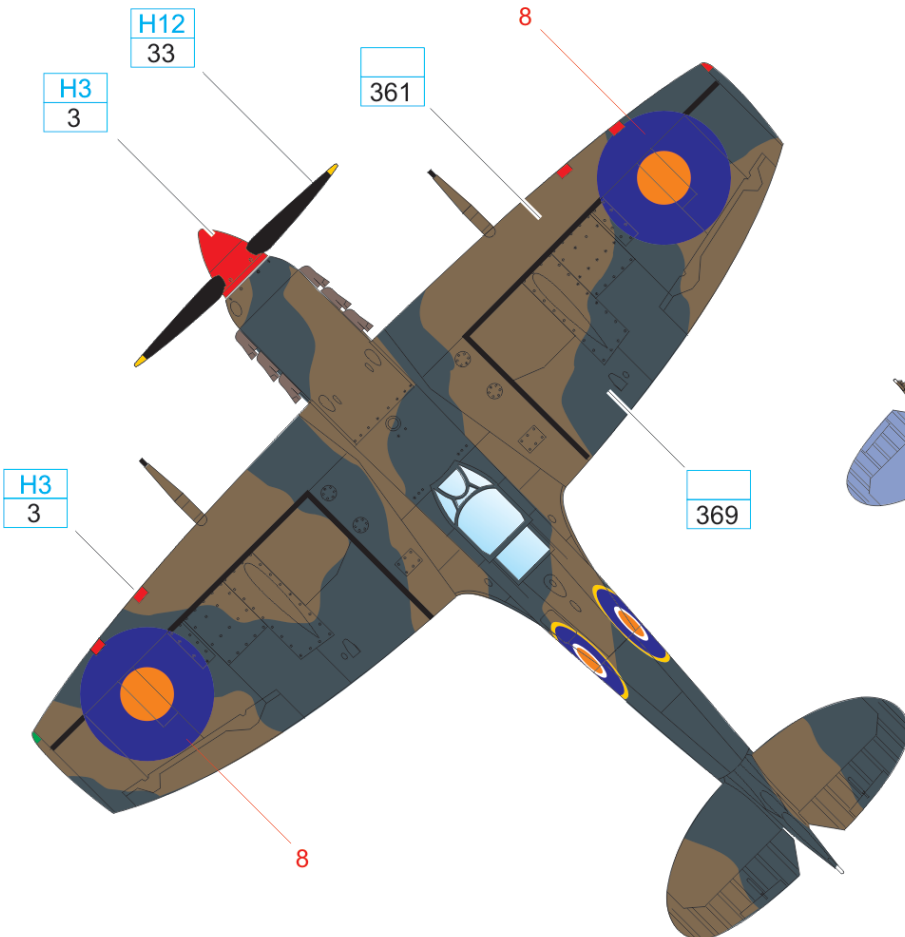
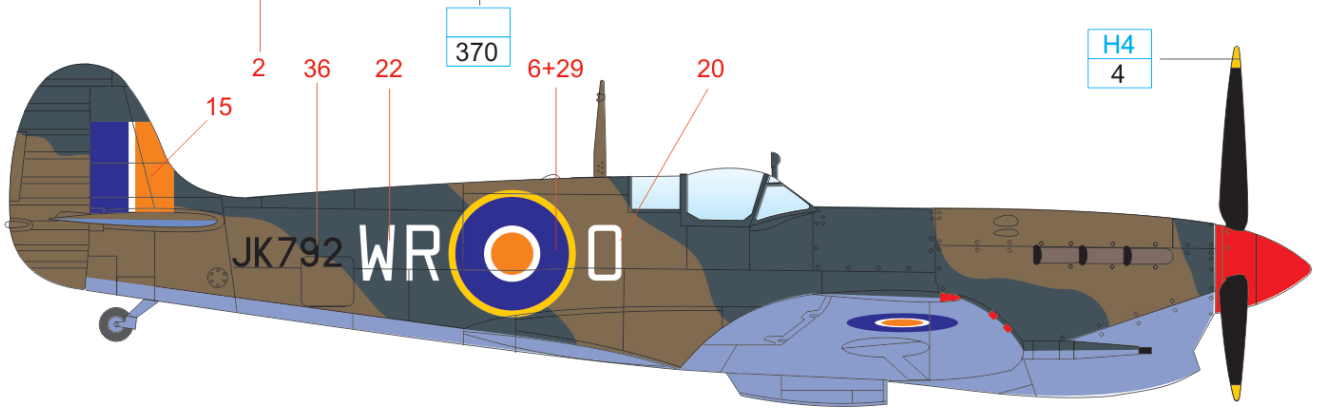
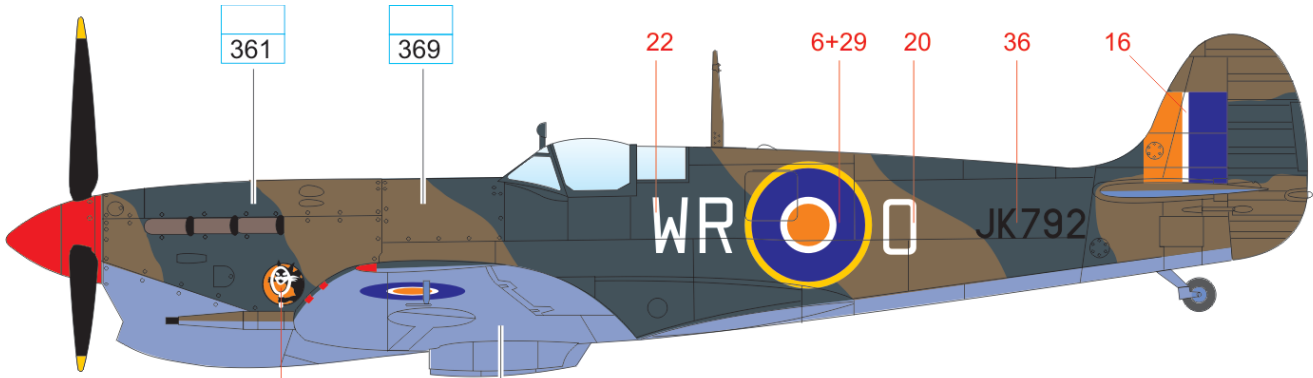
(for more information and historical background, refer to the kit's infopage at [www.eduard.cz](http://www.eduard.cz))









# D. WR-O, JK792, No. 40 Squadron SAAF, Sicily, 1944

One of the common duties of the South African Air Force was the recon role, as it was for No. 40 Squadron operating over southern Europe. The camo scheme of green / brown with sky-blue undersides was atypical for the MTO area. The SAAF roundels, similar to those of the RAF, had an orange center and the call letters were of a smaller size. The emblem of the cat reflects the squadron's reconnaissance role.

(for more information and historical background, refer to the kit's infopage at [www.eduard.cz](http://www.eduard.cz))



		
361	370	H4 4
		
369	H3 3	H12 33