



USAF MH-60G PAVE HAWK

The **Pave Hawk** was designed on a bare-bones budget to provide the Air Force with a special operations Blackhawk to replace the planned but canceled HH-60D Night Hawk. The **Pave Hawk** has limited all-weather capability but does not have terrain following radar like the MH-53J. With its in-flight refueling capability, extended range fuel tanks, lightweight color radar and machine gun armament, the **Pave Hawk** nevertheless has served the USAF well.

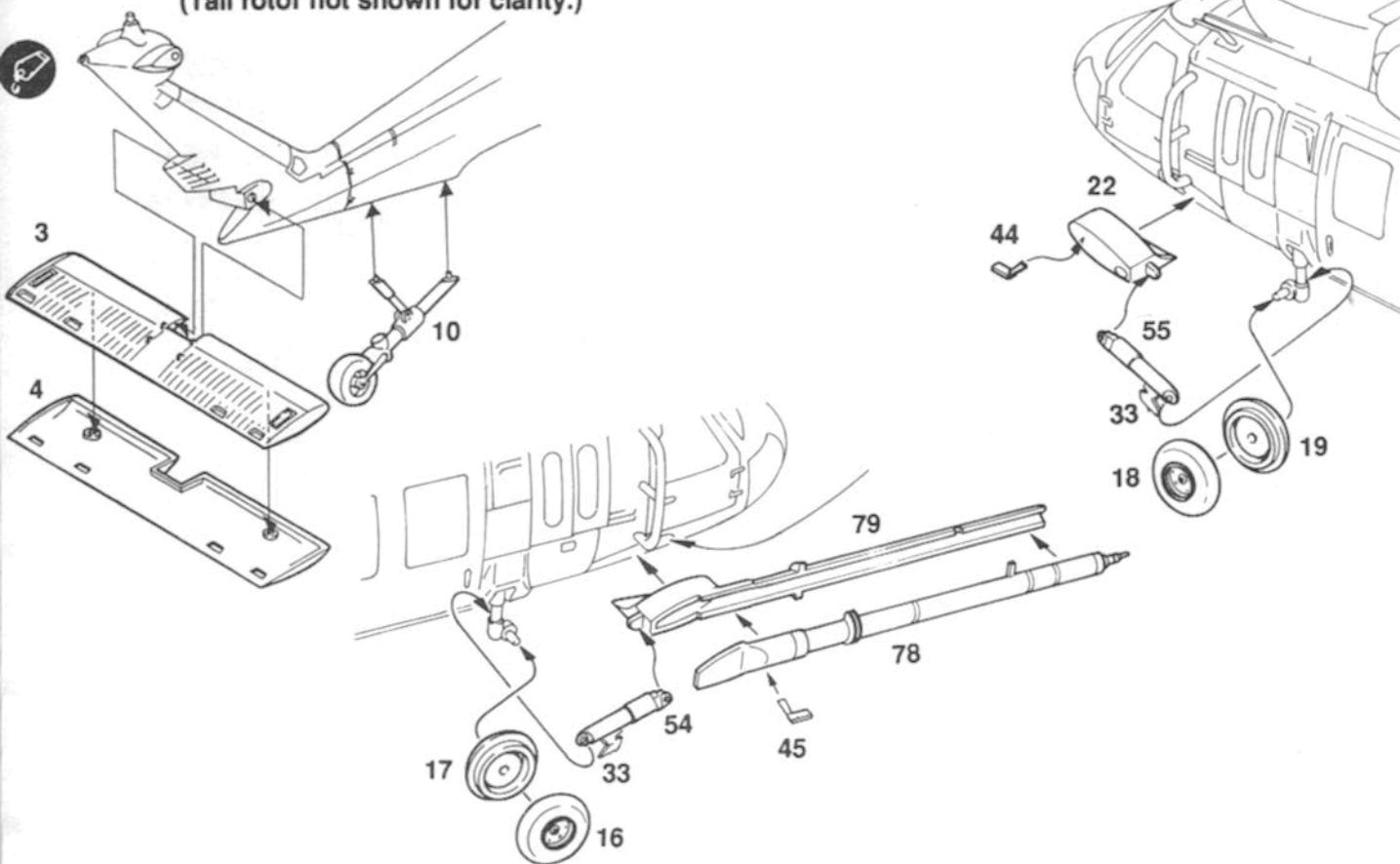
During the Gulf War the 55th Special Operations Squadron based at Hurlburt was sent to Al Juf in Saudi Arabia where it performed its duties in an outstanding, but still classified manner.

The **Pave Hawk** is a helicopter that can be readily customized to fit a particular mission. It can be fitted with ESSS pylons, gun pods, rocket pods or exterior fuel tanks. Chances are that no two **Pave Hawks** ever looked exactly alike, each having been fitted to certain specifications and duties. Your model of the **Pave Hawk** contains many of these optional parts that can be utilized.

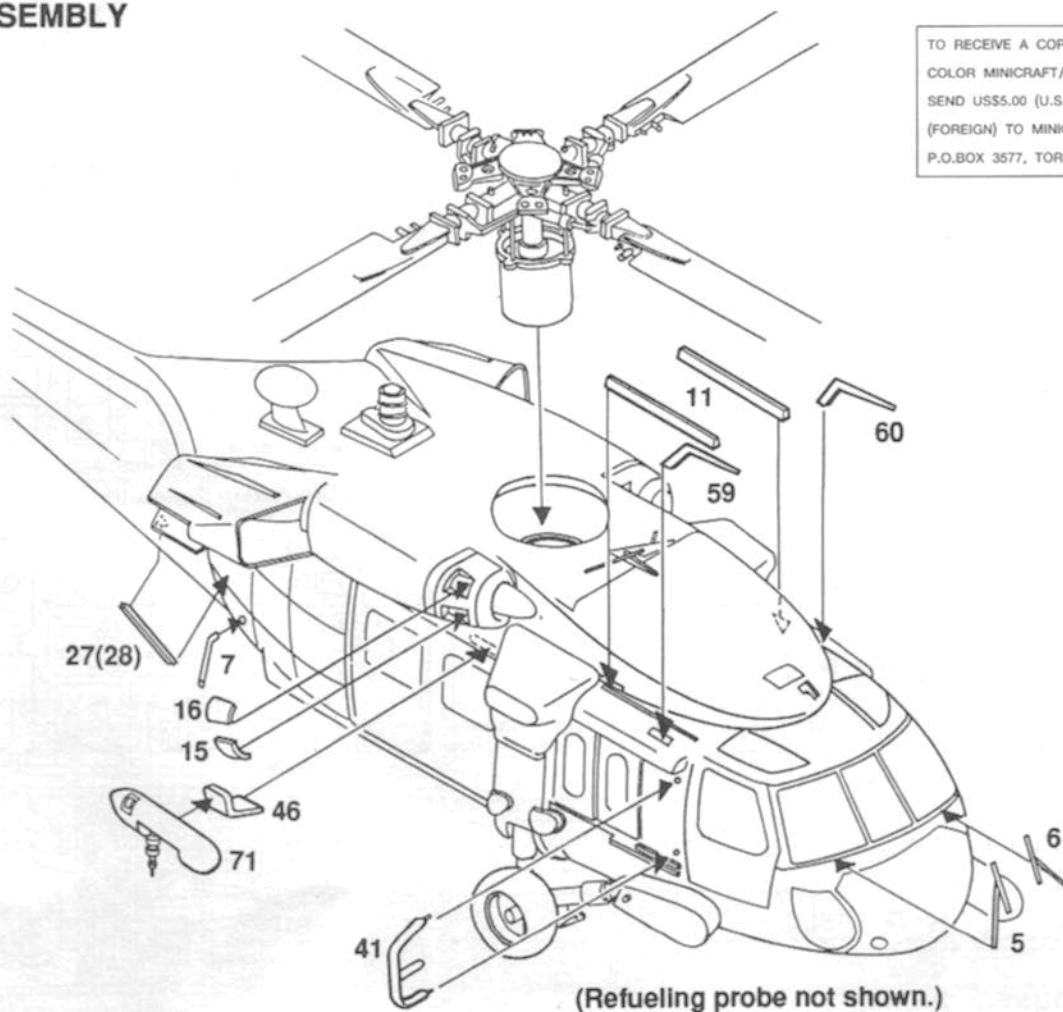
The **Pave Hawk** is most noticeable for its folding stabilator to allow loading aboard transport aircraft, the HOVER Infra-Red Suppressor Subsystem, the Bendix King 1400C lightweight color radar system in the nose-mounted dome, the refueling probe and the wire-strike protection system.

6 STABILIZER & LANDING GEAR

(Tail rotor not shown for clarity.)



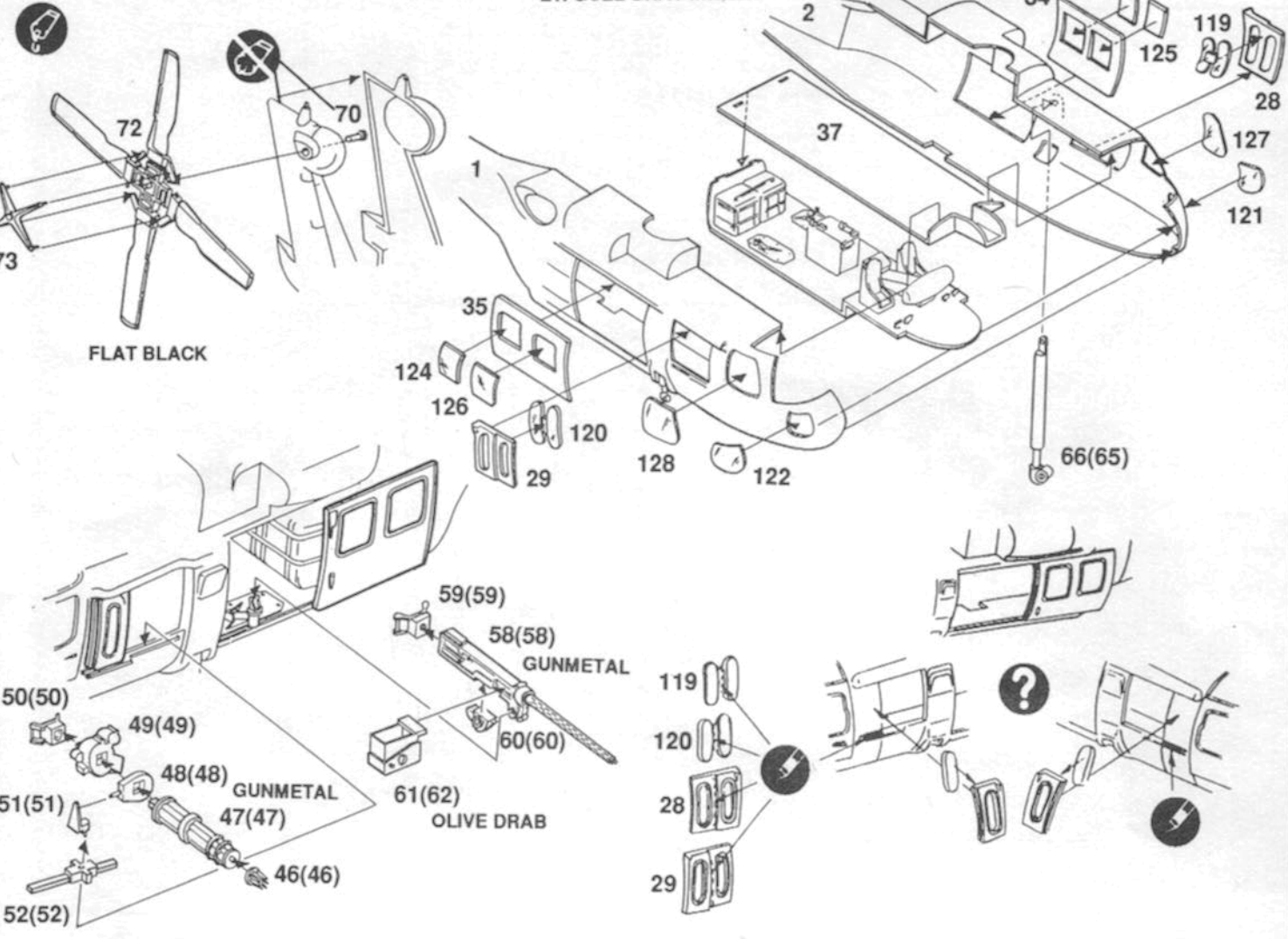
7 FINAL ASSEMBLY



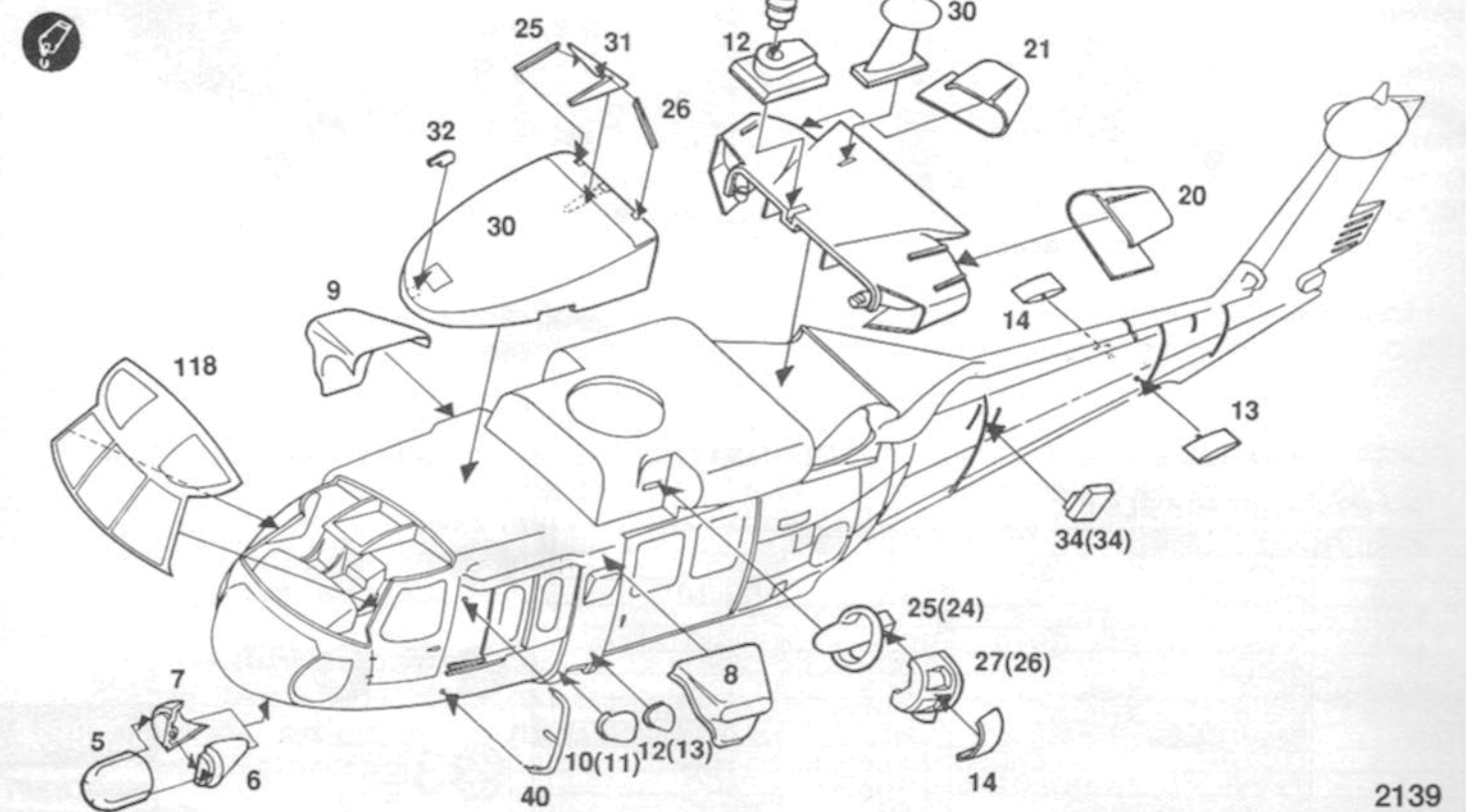
TO RECEIVE A COPY OF THE NEWEST FULL
 COLOR MINICRAFT/ACADEMY CATALOG,
 SEND US\$5.00 (U.S.A. ONLY) OR US\$6.00
 (FOREIGN) TO MINICRAFT MODELS, INC.
 P.O. BOX 3577, TORRANCE, CALIF 90501

(Refueling probe not shown.)

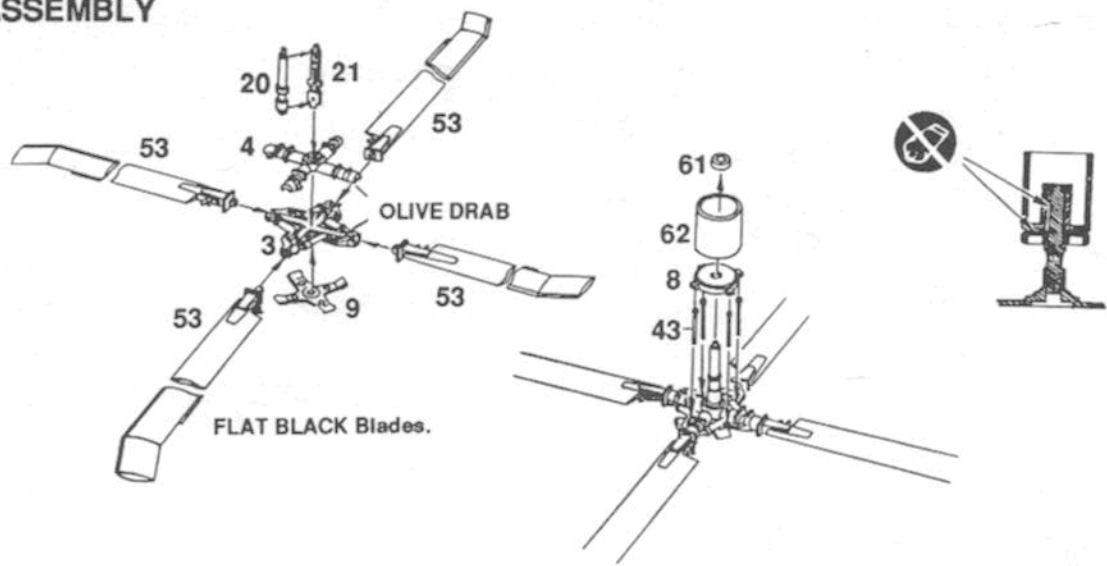
4 TAIL ROTOR & DOORS



5 FUSELAGE ASSEMBLY

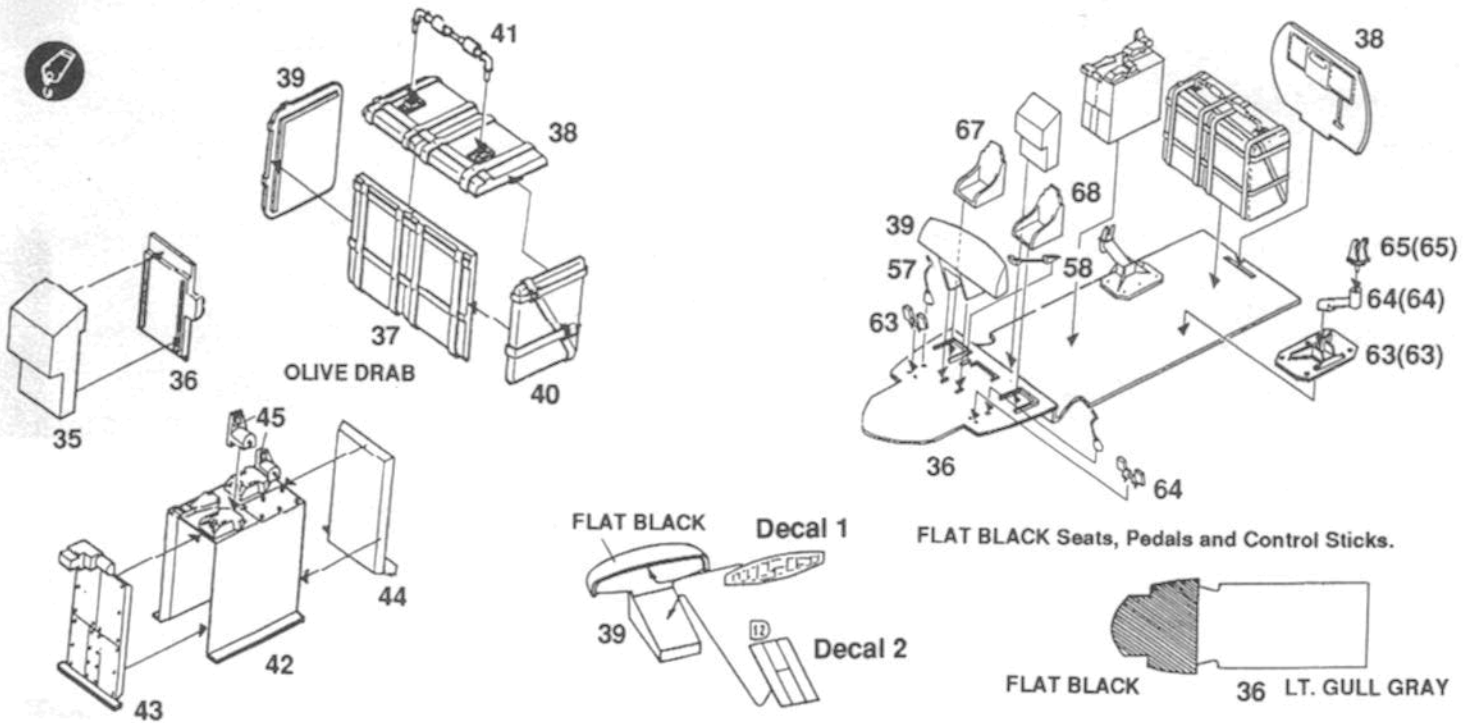


1 MAIN ROTOR ASSEMBLY

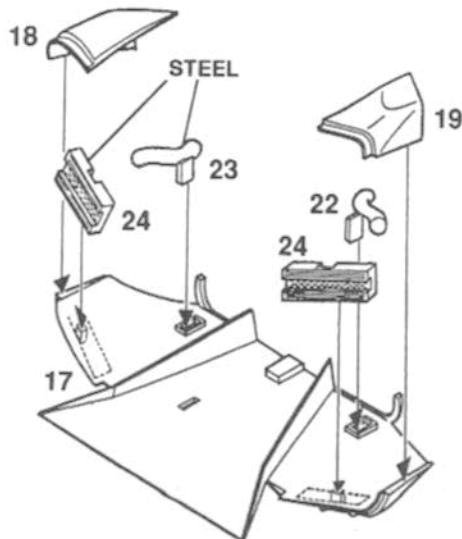


2 INTERIOR ASSEMBLY

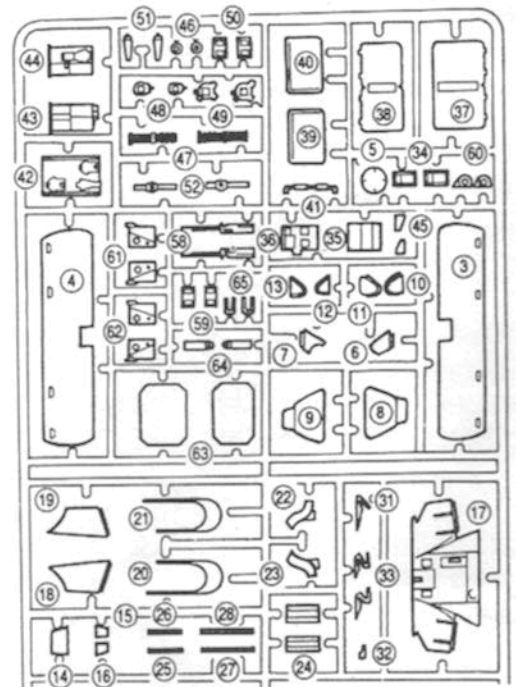
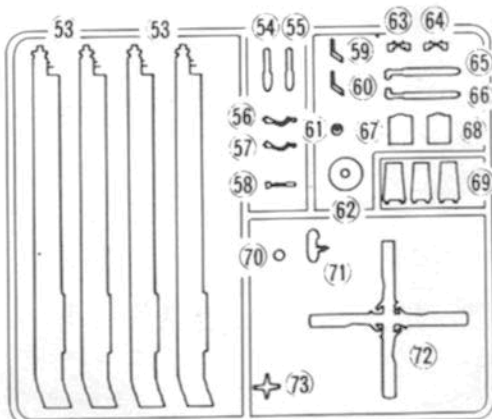
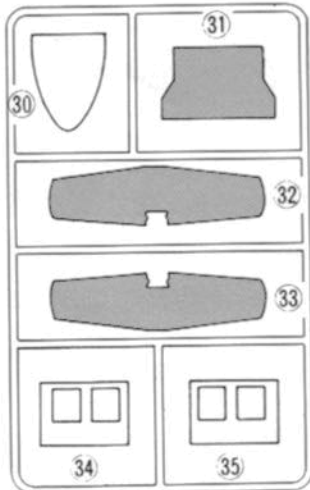
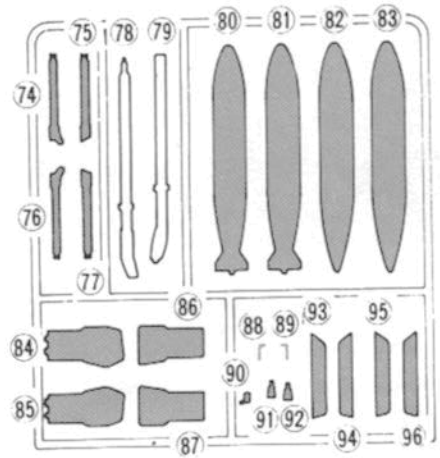
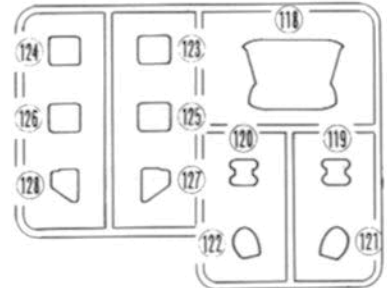
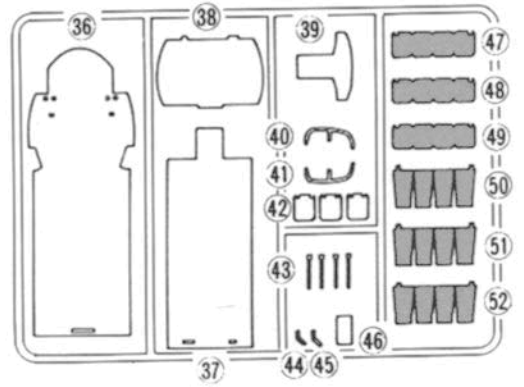
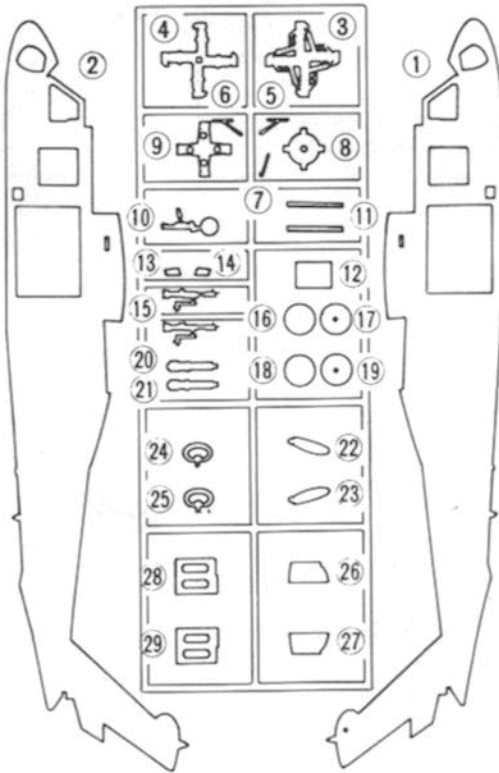
LT. GULL GRAY Interior.



3 EXHAUST ASSEMBLY

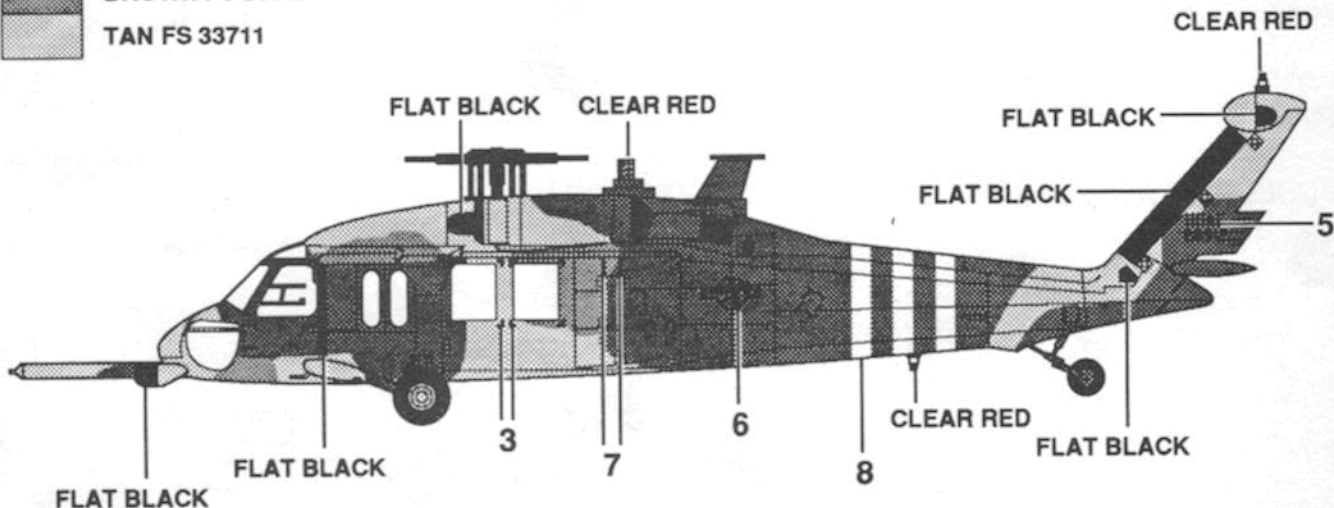
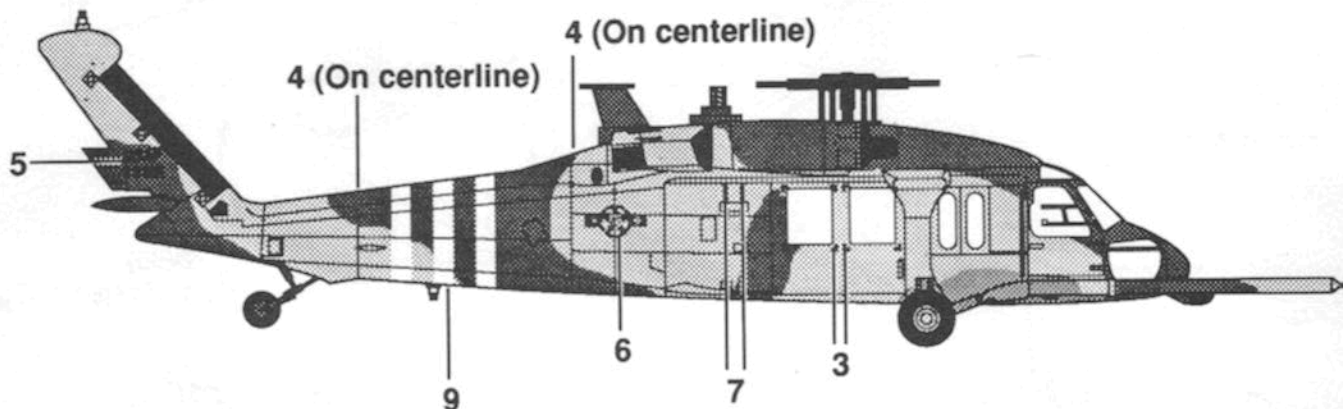
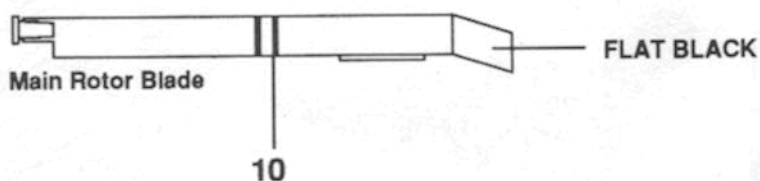


PARTS LOCATING DIAGRAM



 Unused parts

U.S.A.F. MH-60 PAVE HAWK Decal Placement and Painting Diagram



©1994 MINICRAFT MODELS INC.

ENGLISH	FRENCH	GERMAN	SPANISH	ITALIAN
BLACK	NOIR	SCHWARZ	NEGRO	NERO
SILVER	ARGENT	SILBERN	PLATA	ARGENTO
GUNMETAL	METALLIC	METALLIC	METALLICO	METALLICO
LT GRAY	GRIS CLAIR	HELLGRAU	GRIS CLARO	GRIGIO CHIARO
RED	ROUGE	ROT	ROJO	ROSSO
GREEN	VERT	GRÜN	VERDE	VERDE
BROWN	BRUN	BRAUN	MARRON	MARRONE
TAN	BRUN CLAIR	GELBBRAUN	CANELA	MARRONE CHIARO
GLOSS	LUSTRE	GLANZENDES	BRILLANTE	BRILLANTE
FLAT	TERNE	GLANZLOSES	APAGADO	OPACO
CLEAR	CLAIR	KLAR	CLARO	CHIARO



Cement Parts
Coller
Kleben
Pegar
Incollare
Collar
Kleben

Do Not Cement Parts
Ne Pas Coller
Nicht Kleben
No Pegar
Non Incollare
Neb Coller
Niet Kleben



Cut Away
Couper
Scheren
Cortar
Tagliare
Cortar
Scheren

Optional Parts
Opcion
Auserstehendes
Eleccion
Opcion
Opcion
Kausel



Repeat Operation
Répéter l'opération
Wiederholen
Repetir la operación
Repetir a Operação
Herhalen

3

2139

ACADEMY
MINICRAFT