

RUSSIAN TANK kv-1 type C



SPECIFICATION

GENERAL

CREW: 5.
 BATTLE WEIGHT: 52 TONS.
 GROUND PRESSURE: 10.5 LBS/SQ. IN.

1/72 SCALE

DIMENSIONS

LENGTH: 22 FT.
 HEIGHT: 9 FT.
 WIDTH: 10.8 FT.
 WIDTH OF TRACK: 27.75 IN.
 GROUND CLEARANCE: 16 IN.

KIT 8037

ARMAMENT

ONE 76.2 MM GUN MODEL 1940, CALIBER LENGTH 41.5
 THREE 7.62 MM DT MACHINE GUNS (BOW, COAXIAL, AND REAR TURRET).

ENGINE

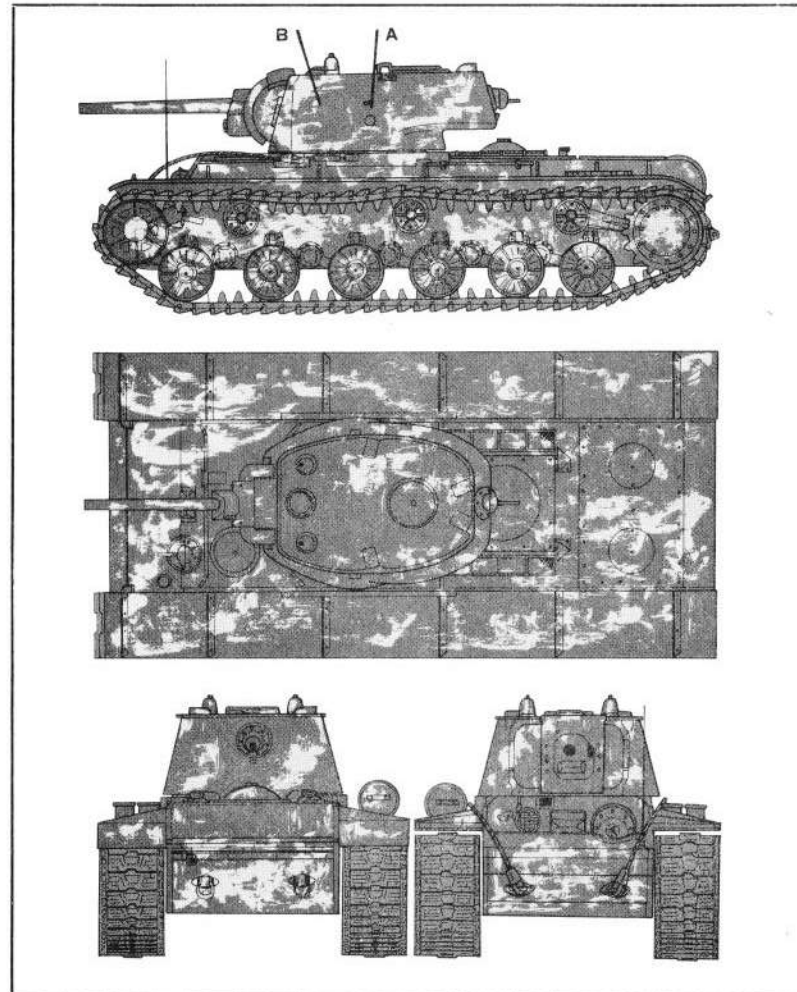
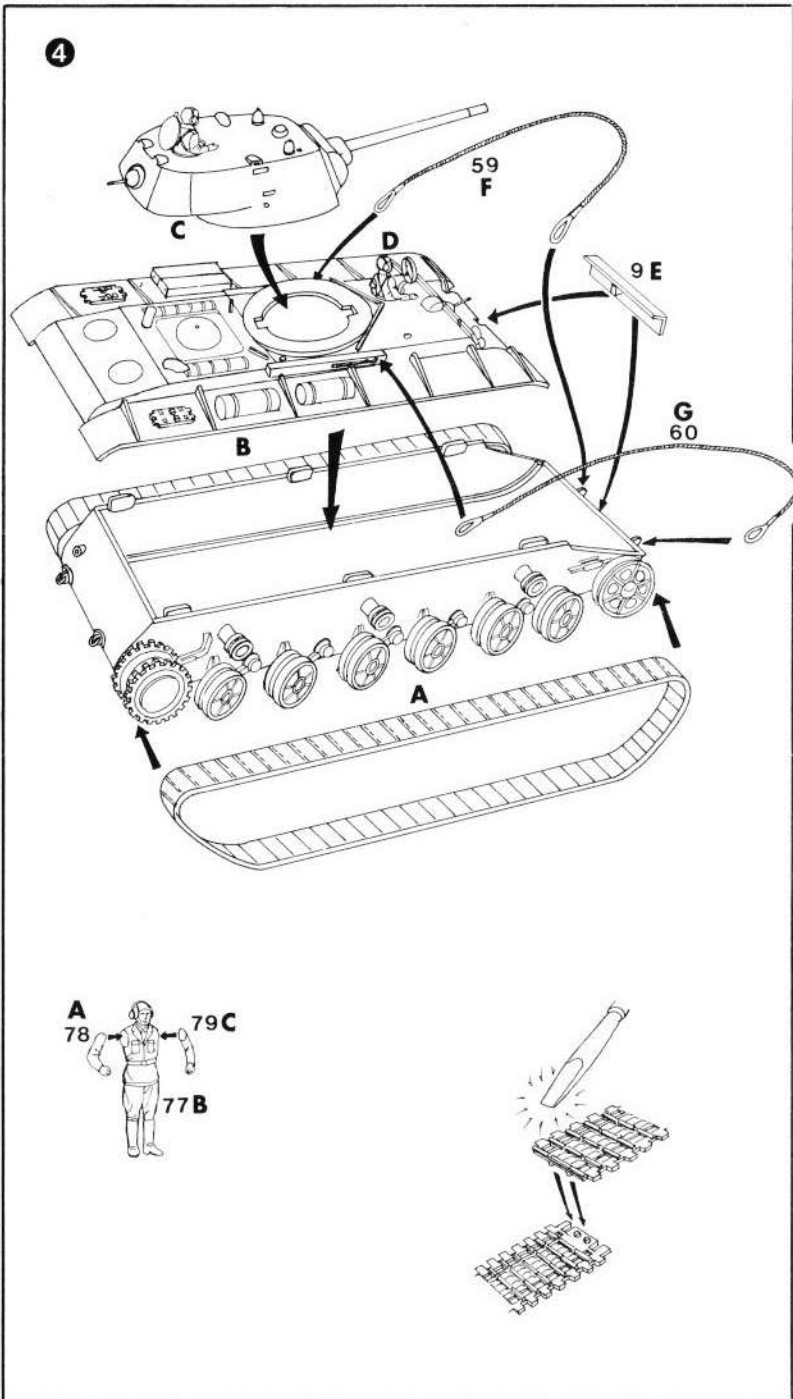
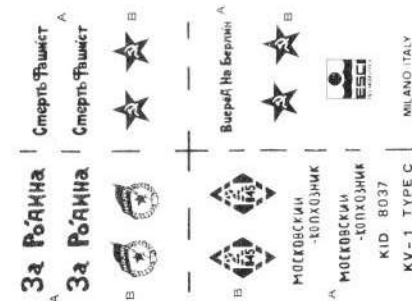
V-TYPE, 12 CYLINDERS, 600 HP AT 2,000 RPM, LIQUID-COOLED, DIESEL.

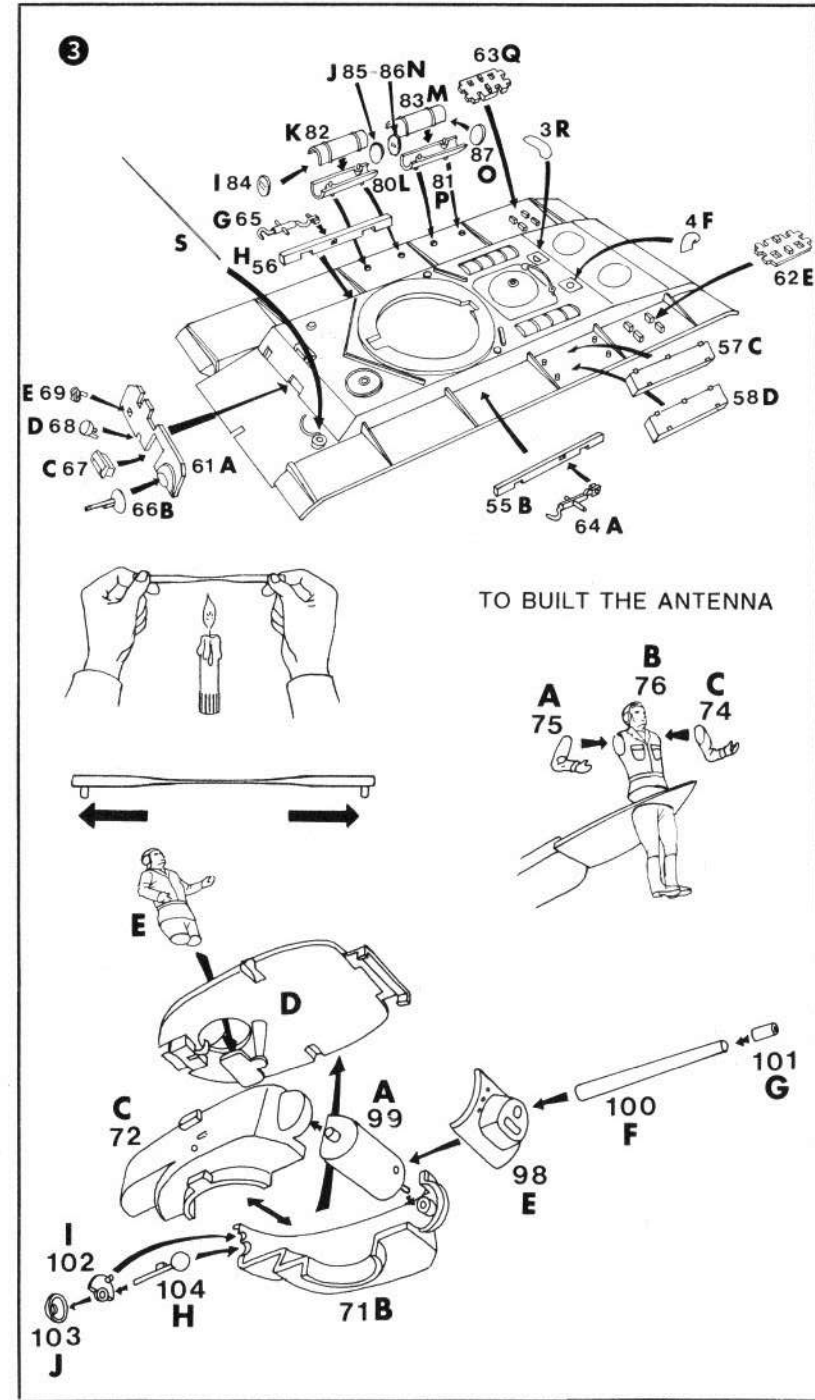
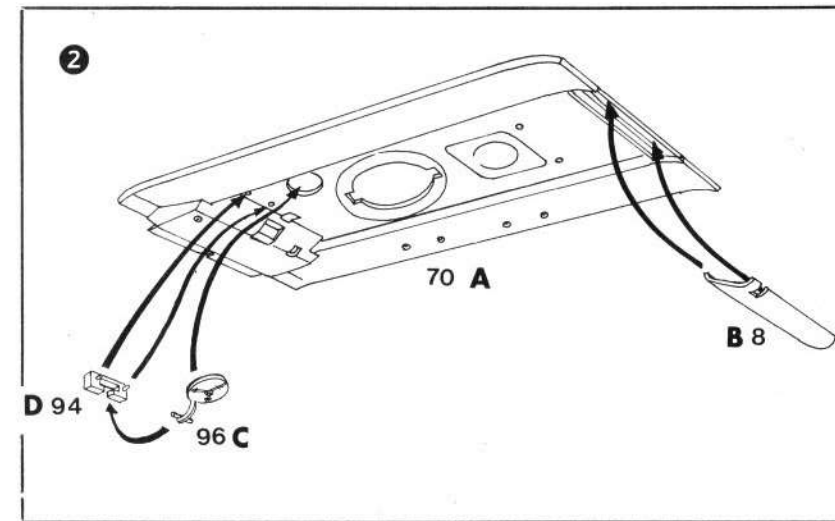
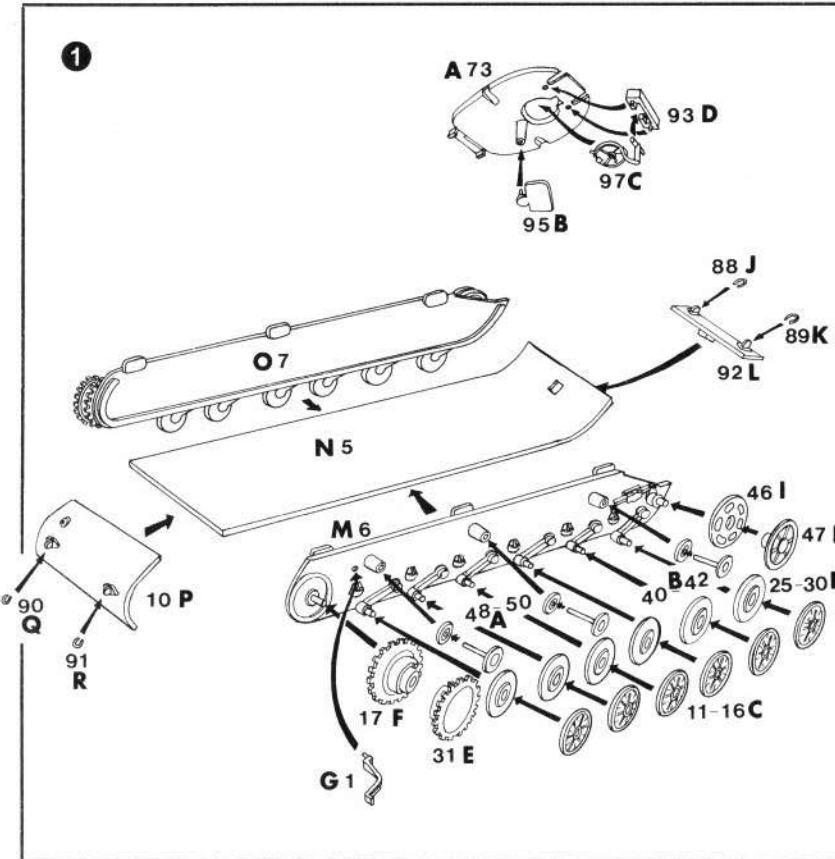
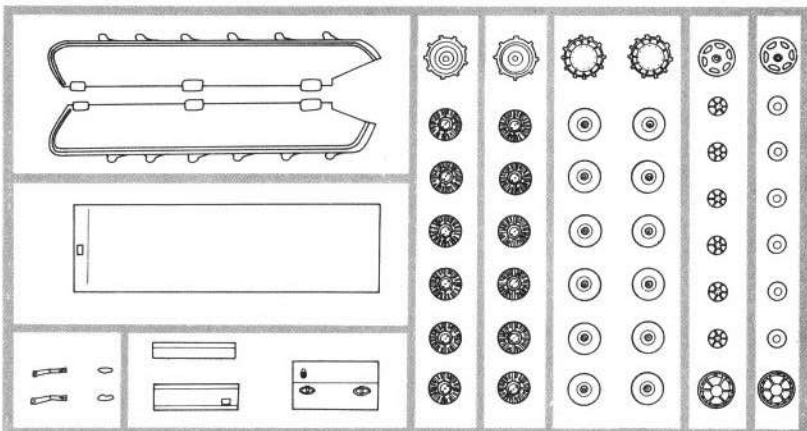
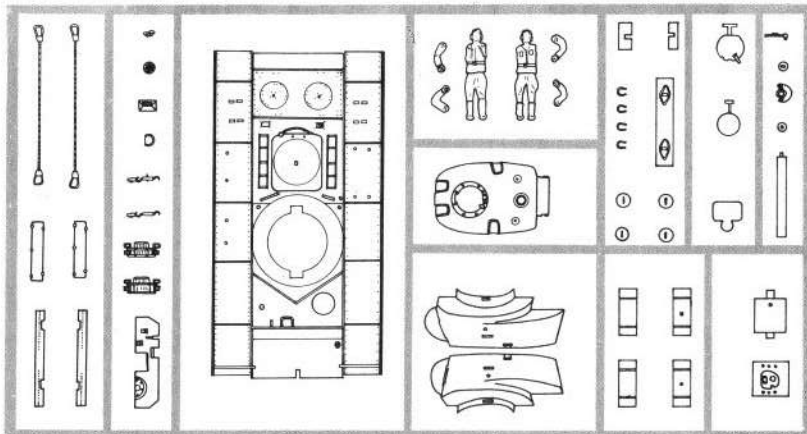
PERFORMANCE

SPEED: 22 MPH MAX.; 8-11 MPH CROSS-COUNTRY
 CLIMBING ABILITY: NONE.
 OBSTACLE ABILITY: 35.5 IN.
 TRENCH CROSSING ABILITY: 12 FT.
 FORDING DEPTH: 60 IN.
 FUEL CAPACITY: 159 GAL.
 RADIUS OF ACTION: 208 MILES ON ROADS;
 124 MILES CROSS-COUNTRY.



MADE IN ITALY





За РЪЯНИА

Смерть Фашист

За РЪЯКИА

Смерть Фашист



Смерть Фашист



МОСКОВСКИЙ
-ВОПХОЗНИК

МОСКОВСКИЙ
-ВОПХОЗНИК



KID 8037

KV-1 TYPE C

MILANO ITALY