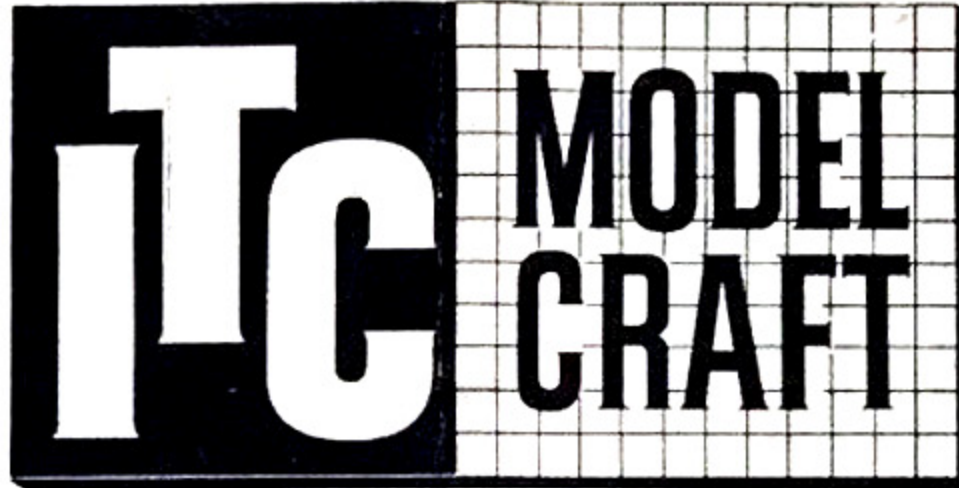


Assembly Instructions For The **TRI-MOTOR STINSON**

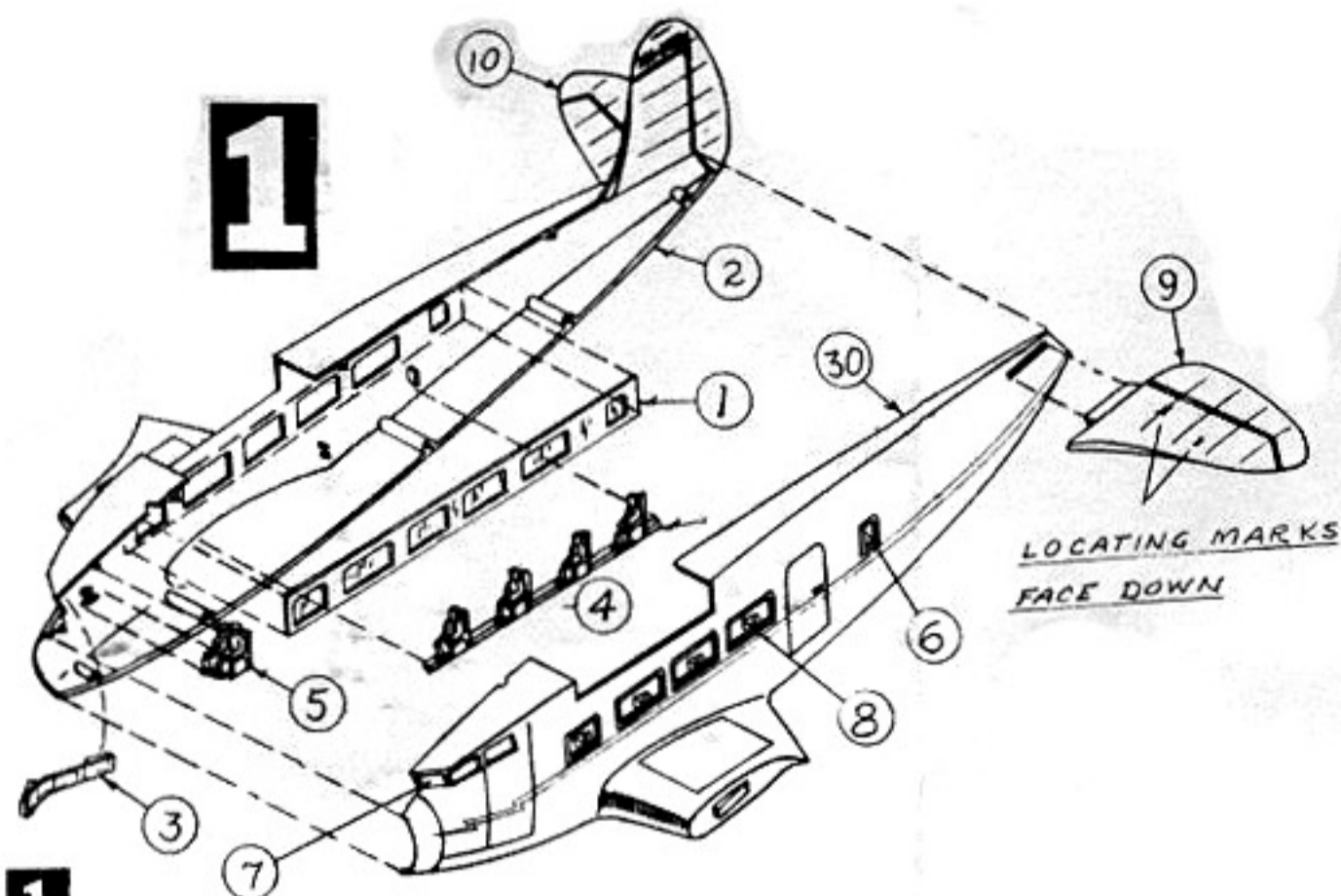
3722



HOBBY DIVISION OF IDEAL TOY CORPORATION

GENERAL INSTRUCTIONS

1. Read the instruction sheet completely before you start to assemble your model.
2. Follow the steps in proper order.
3. Check all parts for proper fit, and if necessary, trim any excess plastic from the parts before cementing.
4. Purchase any quick drying type of styrene plastic cement at your local store. Use a minimum amount of cement for the best results, and because the cement can mar the finish of your model, care must be taken to apply the cement only to the area where it is required.
5. Have a small cloth available to wipe any excess cement from your fingers; use tweezers on small parts.
6. Use standard styrene plastic enamel paints. **PAINT ALL DETAILS AND ALL SMALL PARTS** before assembling and allow them to dry thoroughly. Touch up the model when you complete your assembly.
7. **PAINTING INSTRUCTIONS** can be found by referring to view IV.
8. All the plastic parts have numbers directly on the piece or near the piece. This number corresponds to the number on the drawings.
9. Cut the parts from the "runners" as you need them; be sure to cut carefully and at the proper point.

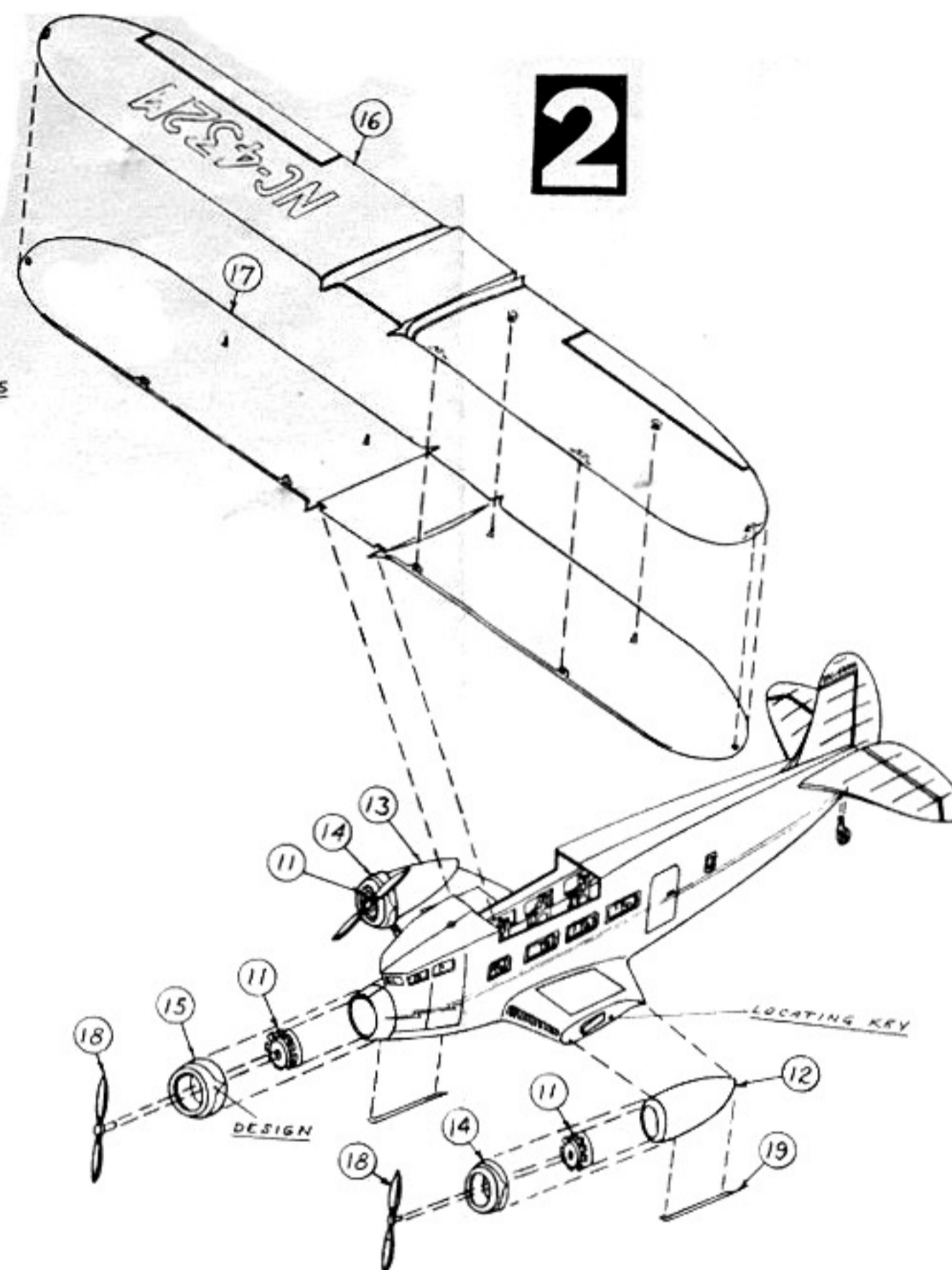


1

- A. Cement the right half **CABIN WINDOW** (1) into the right half of the **FUSALAGE** (2).
- B. Cement the right half **COCKPIT WINDSHIELD** (3) into the right half of the **FUSALAGE** (2). Slide the window nearest the front into position first, then move the back of the piece into position.
- C. Cement the right **PASSENGER SECTION** (4) into the fuselage right half (2).
- D. Cement the **PILOT SECTION** (5) into the right half of the fuselage (2) as shown.
- E. Cement the left half **CABIN WINDOW** (6); the left half of the **COCKPIT WINDSHIELD** (7); and the left **PASSENGER SECTION** (8) into the left half of the **FUSALAGE** (30).
- F. Cement the assembled **LEFT HALF FUSALAGE** to the **RIGHT HALF**. Be careful to line up the **PILOT SECTION** (5) so that it fits in between the two halves properly.
- G. Cement the left **STABILIZER** (9) into the slot provided in the fuselage.
- H. Cement the right **STABILIZER** (10) into the slot provided in the fuselage. The flat surface of the stabilizers with the two little locating marks faces down.

2

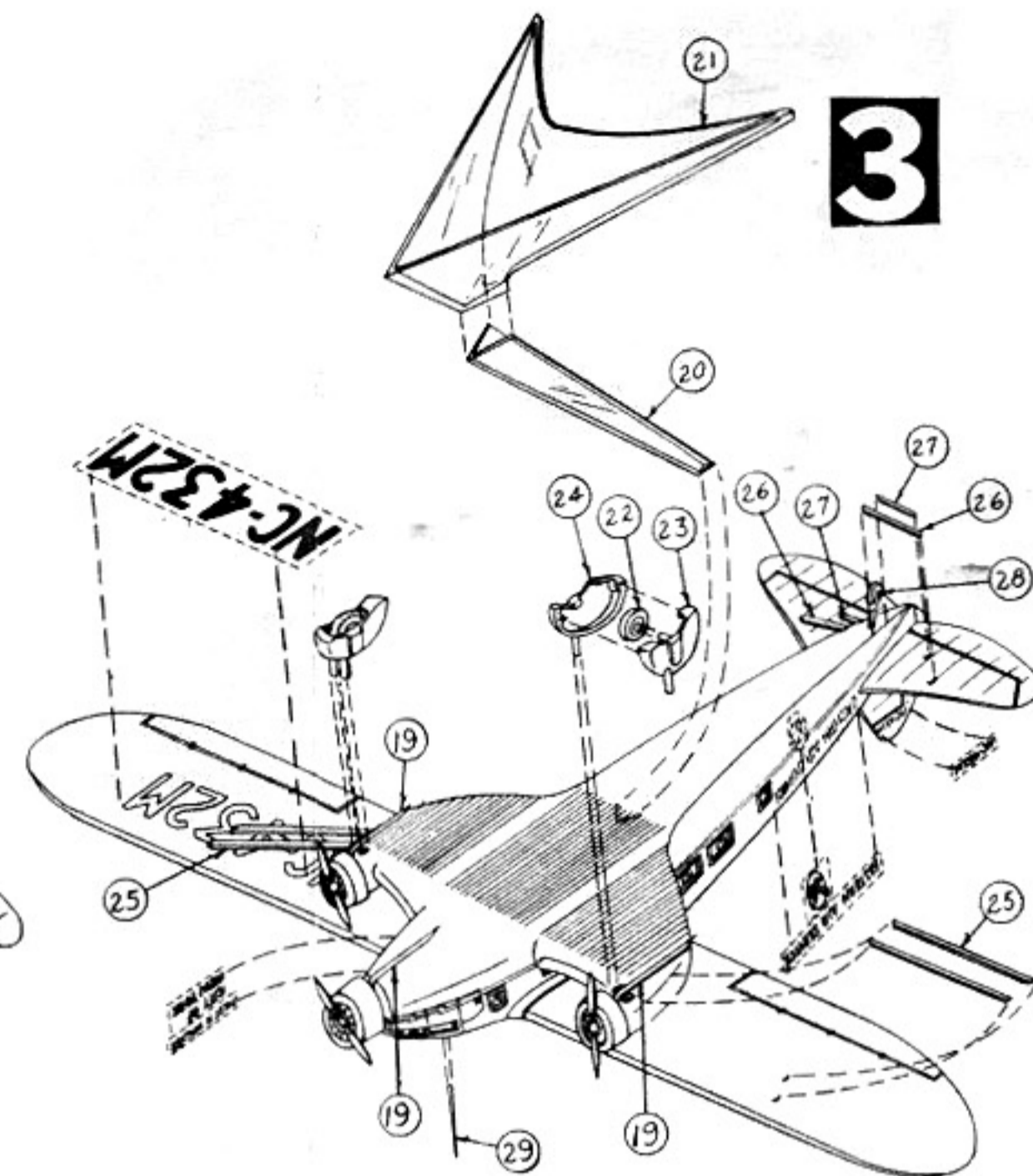
- A. Cement one **ENGINE** (11) into the **LEFT ENGINE HOUSING** (12) shown. Cement the second **ENGINE** (11) into the **RIGHT MOTOR HOUSING** (13). Cement the third **ENGINE** (11) into the motor housing in the nose of the plane.
- B. Cement the two **NACELLES** (14) (the two that look alike) over the engines (11) and onto the motor housings (12)(13). The engraved design on the nacelle is to be located toward the sides as shown.



- C. Cement the single **BIG NACELLE** (15) onto the nose of the plane over the engine.
- D. Cement the left **ENGINE HOUSING** (12) into position as shown. Cement the right **ENGINE HOUSING** (13) into position. Note: - The locating key in the wing section fits into the locating notch in the nacelle.
- E. Cement the upper half of the **WING** (16) to the lower half (17) as shown.
- F. Cement the assembled wing down into the fuselage as shown.
- G. Cement the three **PROPELLERS** (18) into the engines as shown.
- H. Cement the three **EXHAUST PIPES** (19) under each engine. See view III for finished location.

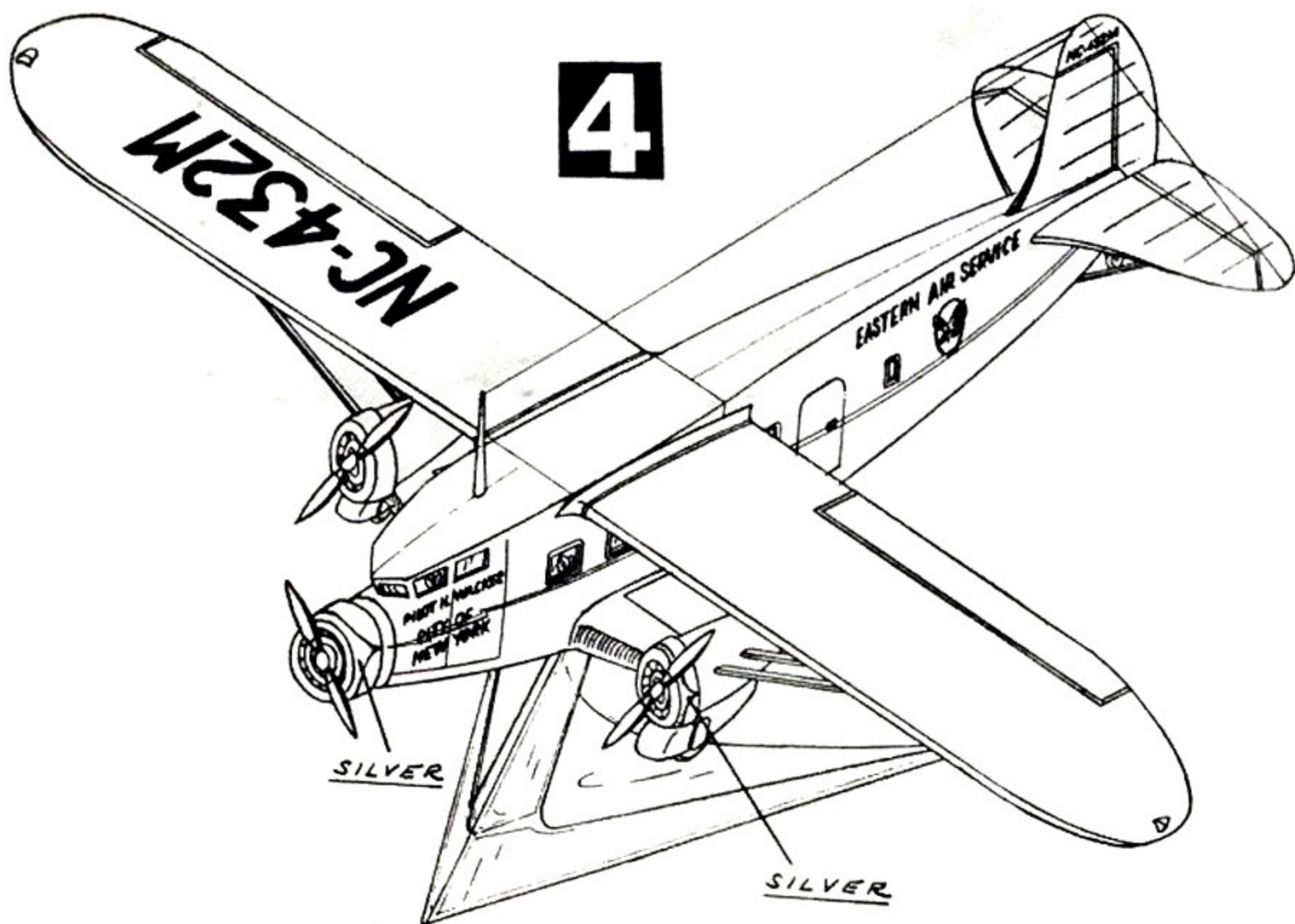
3

- A. Cement the **STAND** (20) to the **BASE** (21) as shown. Allow this piece to dry thoroughly. While it dries, proceed with the following steps.



- B. Apply all decals to the plane in the positions shown. Instructions on the proper method of using the decals can be found on the back of the decal sheet. When applying decals, be careful not to place your fingers on those previously applied.
- C. Cement the **TAIL WHEEL** (28) into the locating hole at the back end of the plane.
- D. Lay the **WHEEL** (22) over the pin in the **WHEEL PANTS SIDE** (23). Cement the other half of the **WHEEL PANTS SIDE** (24) into position.
- E. Complete the other wheel pants assembly in the same manner.
- F. Cement both of the wheel pants units into the locating holes provided in the bottom of the engines as shown. Be careful not to move the decals.
- G. Cement the four **WING STRUTS** (25) from the locating marks on the engine housings to the locating marks on the wing.
- H. Cement the two longer **TAIL STRUTS** (26) from the locating marks on the fuselage to the locating marks on the underside of each stabilizer.
- I. Cement the two shorter **TAIL STRUTS** (27) in the same way.
- J. Cement the **ANTENNA** (29) into the hole supplied in the top of the plane just in front of the wing.
- K. Cement the assembled stand and base (20) and (21) to the triangular locating mark on the underside of the fuselage of the plane. Brace or support in this position until dry.

4

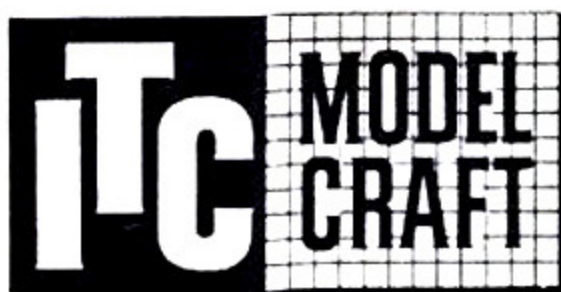


- 4** String a piece of thread between the antenna and the fin as shown for the antenna wire.

PAINTING INSTRUCTIONS:

- A. Fuselage(2)and(30)- **RED** with **SILVER** engraved stripe on sides.
- B. Passenger sections(4)and(8); Pilot section(5)- Color as you desire.
- C. Stabilizers(9)and(10)- **RED**.
- D. Engines(11) Wheels(22)and Tail Wheel(28)- **BLACK**.
- E. Motor Housings(12)and(13)- **RED**.
- F. Nacelles(14)and(15)- **RED** with **SILVER** design as noted on view IV.
- G. Wings(16)and(17); Pants sections(23)and(24)- **RED**.
- H. Propellers(18) Exhaust Pipes(19) all Struts(25)(26)(27) Antenna(29)- **SILVER**.

YOU HAVE NOW FINISHED THE
ASSEMBLY OF ANOTHER MODEL
BY:



HOBBY DIVISION OF IDEAL TOY CORPORATION

SEE OUR OTHER BEAUTIFUL AND AUTHENTIC MODELS AT YOUR LOCAL DEALER'S SHOP